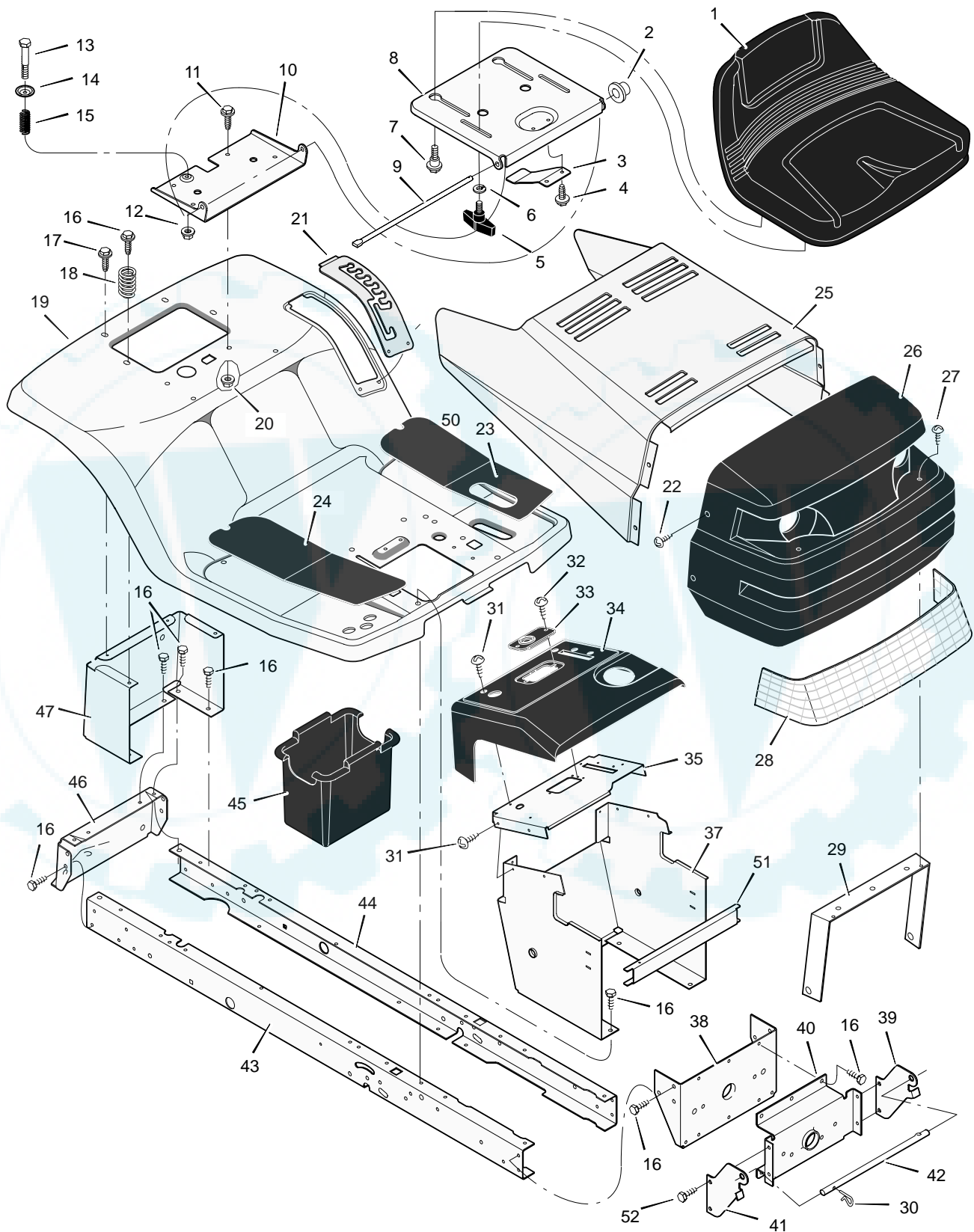


MODEL 405600x50A

REPAIR PARTS CHASSIS & HOOD



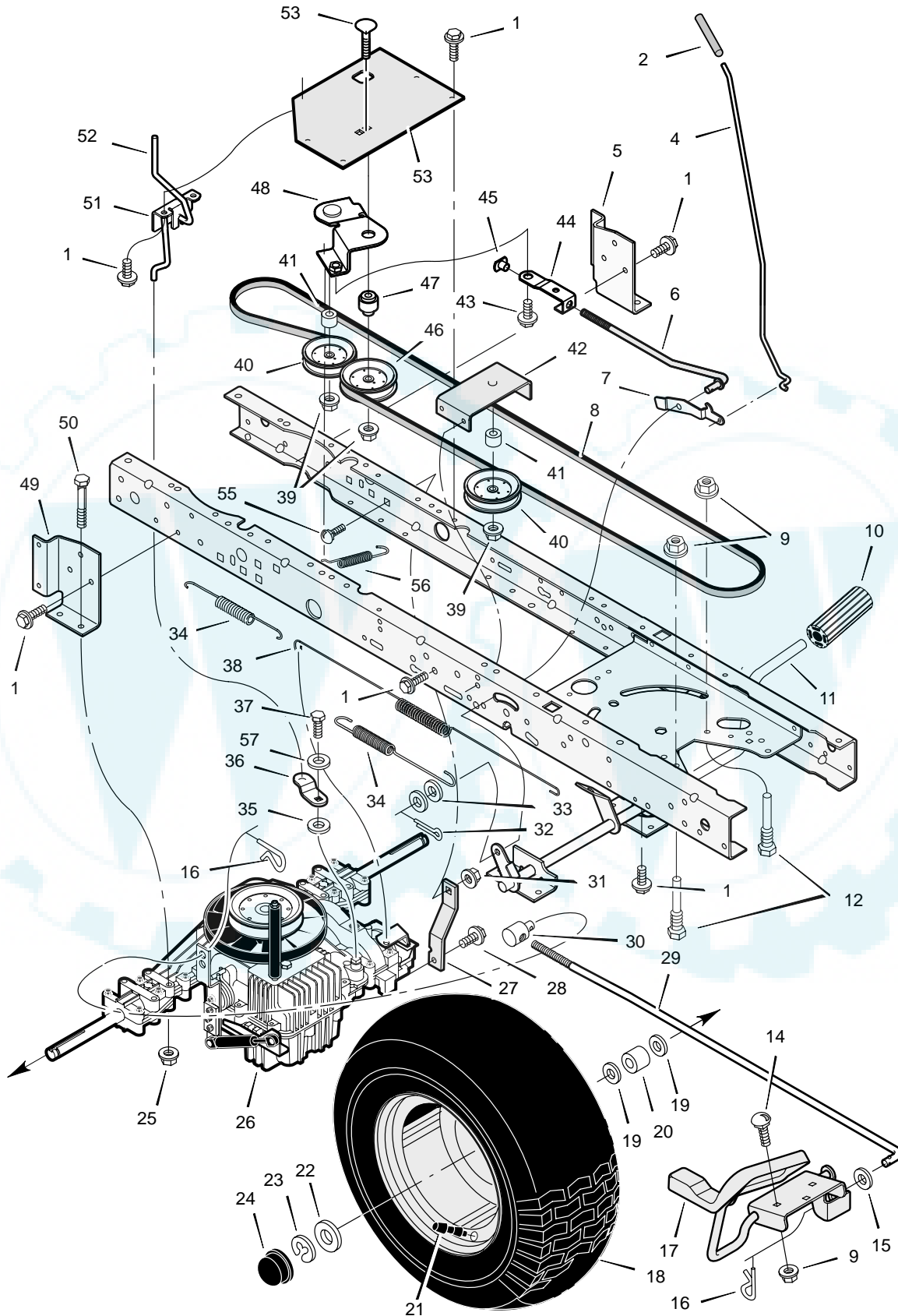
MODEL 405600x50A

REPAIR PARTS CHASSIS & HOOD

Key No.	Description	Part No.	Key No.	Description	Part No.
1	Seat	690567	27	Screw	26x239
2	Cap, Push On	028x23	28	Lens	092334
3	Spring	094057	29	Brace, Grille	092448
4	Screw	26x229	30	Pin, Hair	0031x4
5	Bolt, Wing	1001054	31	Screw	26x270
6	Washer	017x47 Z	32	Screw	26x239
7	Bolt, Shoulder	009x56	33	Bearing, Steering	094214
8	Support, Seat	094154E700	34	Dash	095033E700
9	Rod, Pivot	094156 Z	35	Plate, Dash	094211E700
10	Bracket, Pivot	094153E700	36	Panel, Access	093007E700
11	Bolt	001x45	37	Support, Dash	095323E700
12	Nut	015x89	38	Bracket, Rear Hanger	1001270E700
13	Bolt, Shoulder	009x55	39	Support, Left Grille	1001437E700
14	Washer	094155 Z	40	Axle, Hanger	094007E700
15	Spring	164x31	41	Support, Right Grille	1001436E700
16	Screw	26x249	42	Rod, Pivot	092332 Z
17	Screw	26x263	43	Frame, Right	1001268E701
18	Spring	164x30	44	Frame, Left	1001269E701
19	Deck, Seat	095122E245	45	Container, Battery	690424
20	Nut	015x88	46	Plate, Hitch	1001002E700
21	Plate, Index	094829E700	47	Panel, Rear	690434E700
23	Mat, Left	094371	50	Nut	015c81
24	Mat, Right	094372	51	Channel	094215E700
25	Hood	092333E245	52	Screw	26c277
26	Grille Assembly (Includes Lens)	094867	—	Book, Instruction	F-020727L

MODEL 405600x50A

REPAIR PARTS DRIVE ASSEMBLY



MODEL 405600x50A

REPAIR PARTS DRIVE ASSEMBLY

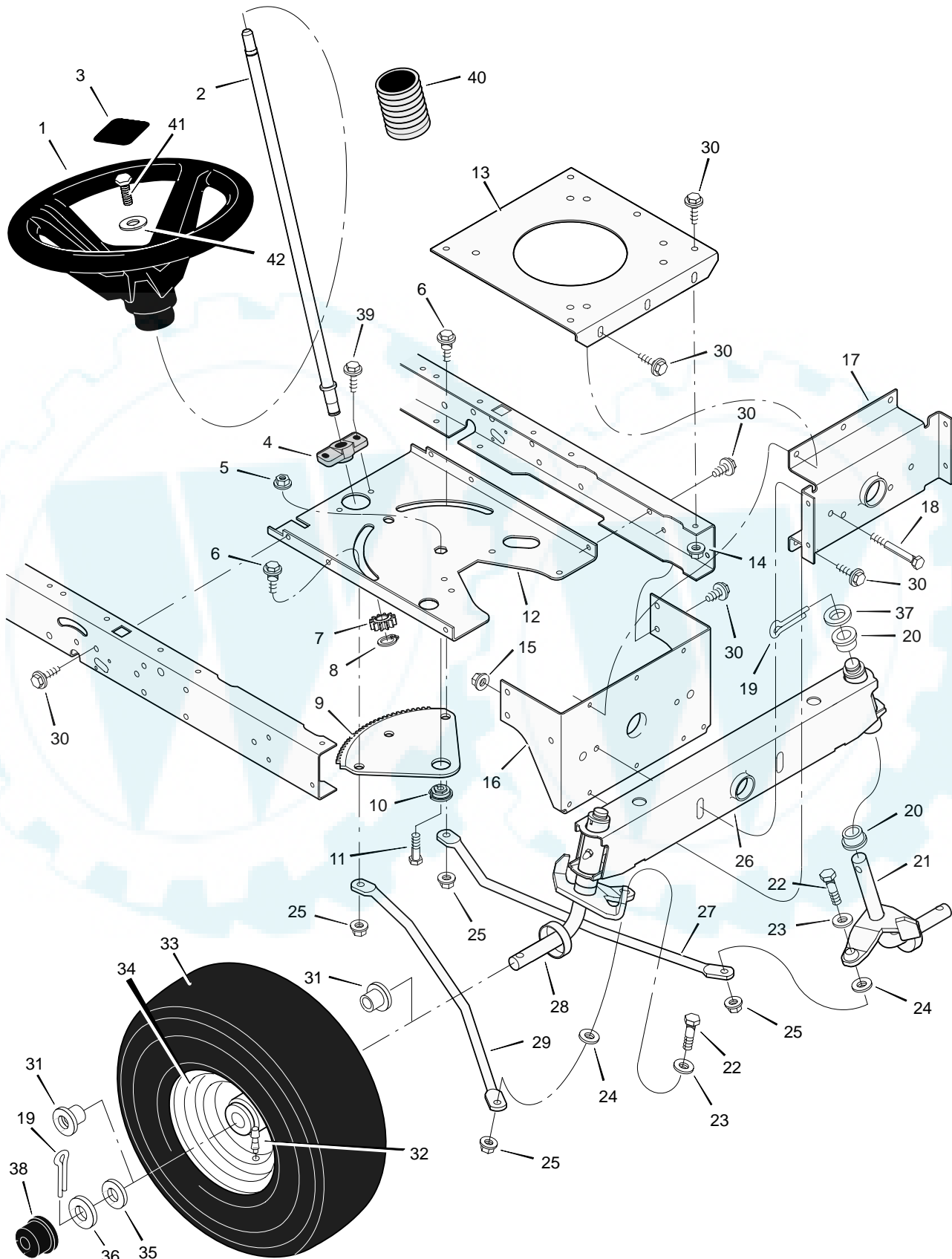
Key No.	Description	Part No.	Key No.	Description	Part No.
1	Screw	26x249	30	Nut, Adjusting	092132
2	Grip, Parking Brake	091079	31	Nut, Centerlock	015x84
4	Rod, Parking Brake	1001271 Z	32	Pin, Cotter	030x20
5	Bracket, Left Transaxle	094008E700	33	Washer	017x48
6	Rod, Clutch	1001013 Z	34	Spring, Extension	165x92
7	Latch, Parking Brake	094045 Z	35	Washer	17x148
8	V-Belt, Drive	37x106	36	Arm, Disconnect	1001086 Z
9	Nut, Flange	015x79	37	Capscrew	06x105
10	Pedal, Brake/Clutch	021544	38	Spring, Brake	165x150
11	Assembly, Brake Pedal	1001011E700	39	Locknut, Flange	015x98
12	Screw, Guide	094384	40	Pulley, Idler	690409
14	Bolt, Carriage	002x53	41	Spacer	690369
15	Washer	017x57	42	Bracket, Idler Assembly	1001097
16	Pin, Hair	0031x4	43	Bolt, Shoulder	009x49
17	Pedal Assembly, Hydro	095121E700	44	Link, Clutch	1001007 Z
18	Wheel & Tire Ass'y, Rear	092294-601	45	Nut, Tee	1001014
--	Tire ONLY *	024375	46	Pulley, Idler	690410
--	Tube ONLY	407049	47	Bushing, Pivot	1001012
19	Washer	17x160	48	Arm Assembly, Idler	1001018 Z
20	Spacer	690554 Z	49	Bracket, Right Transaxle	094008E700
21	Stem, Valve	024373	50	Bolt, Hex	01x155
22	Washer	17x195	51	Bracket, Disconnect	1001214 Z
23	E-Ring	0011x3	52	Rod, Disconnect	1001215 Z
24	Cap, Hub	094618	53	Bracket, Idler Pivot	1001108
25	Nut, Centerlock	015x88	54	Bolt, Carriage	002x92
26	Transaxle	**	55	Bolt, Carriage	002x78
27	Strap, Torque	1001085	56	Spring, Clutch	165x155
28	Screw	26x216	57	Washer	017x38
29	Rod, Control	1001234 Z			

* When you order a tire, make sure to give the brand name of the tire so that the tread pattern on the tire will match.

** For information on Replacement Parts see the Central Parts Distributor in your area.

MODEL 405600x50A

REPAIR PARTS STEERING



F-020727L

MODEL 405600x50A

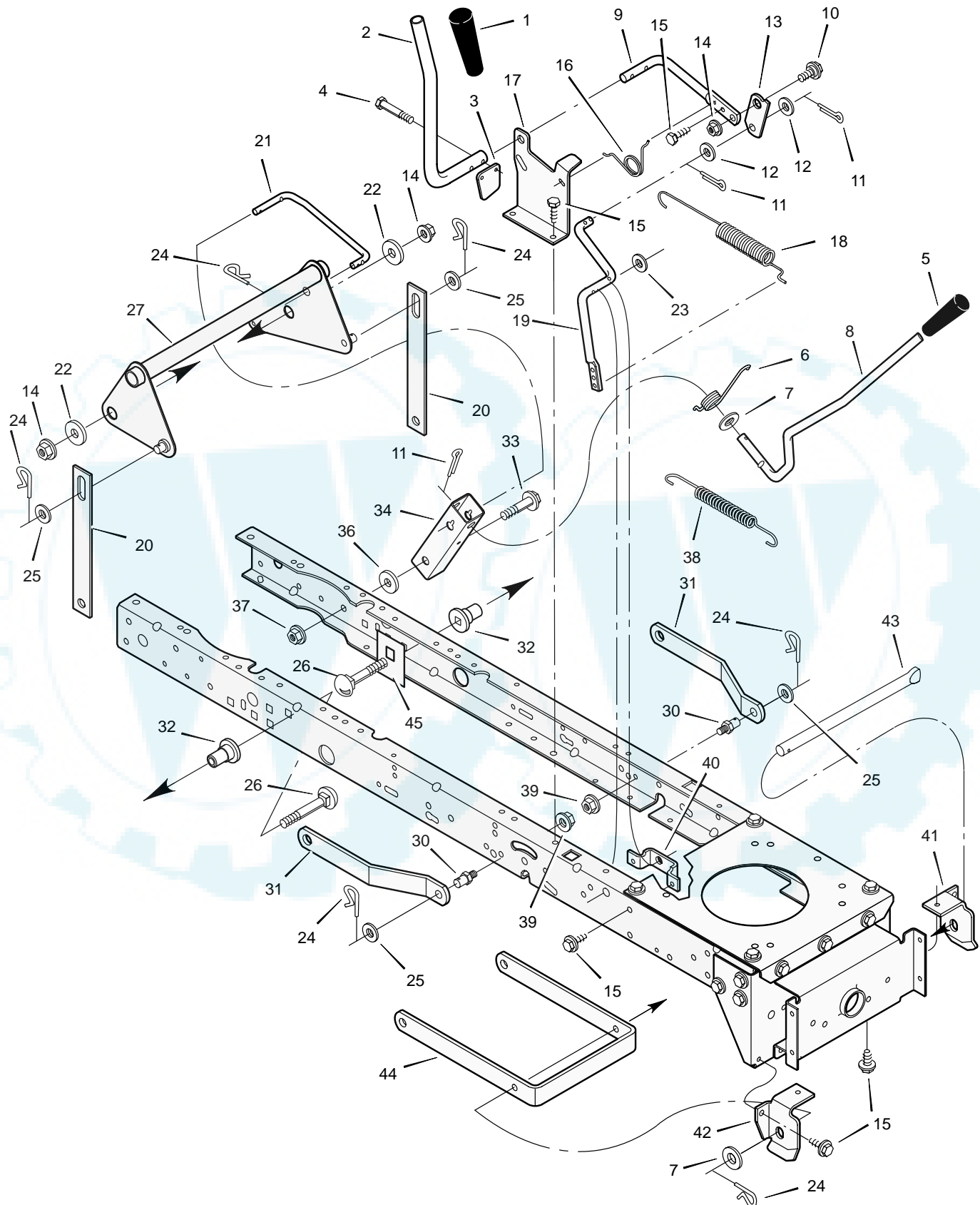
REPAIR PARTS STEERING

Key No.	Description	Part No.	Key No.	Description	Part No.
1	Wheel, Steering	095184	23	Washer	17x104
2	Post, Steering	690626	24	Washer	17x53 Z
3	Insert, Steering Wheel	711325	25	Nut, Flange	015x84
4	Bearing	094124	26	Axle Assembly	1001460E700
5	Nut, Flange	15x111	27	Drag Link, Left	095329E700
6	Bolt, Shoulder	009x57	28	Spindle Assembly, Right	094575E700
7	Gear, Pinion	690183E700	29	Drag Link, Right	095328E700
8	Ring, Snap	011x25	30	Screw	26x249
9	Gear, Sector	094121E700	31	Bearing, Wheel	091334
10	Bearing	094123	32	Stem, Valve	024373
11	Bolt	001x84	33	Tire *	024380
12	Plate, Steering	1001121E700	—	Tube	407924
13	Plate, Engine	094006E700	34	Wheel and Tire Assembly	094581-601
14	Nut, Flange	015x88	35	Washer	17x195
15	Nut, Flange	15x118	36	Washer	17x192
16	Bracket, Hanger	1001270E700	37	Washer	17x113
17	Axle, Hanger	094007E700	38	Hub Cap	094618
18	Bolt	01x146	39	Screw	26x267
19	Pin, Cotter	030x49	40	Bellows	054789
20	Bearing	690150	41	Bolt	0025x3
21	Spindle Assembly, Left	094576E700	42	Washer	17x146
22	Bolt	01x111			

* When you order a tire, make sure to give the brand name of the tire so that the tread pattern on the tire will match.
F-020727L

MODEL 405600x50A

REPAIR PARTS MOWER HOUSING SUSPENSION



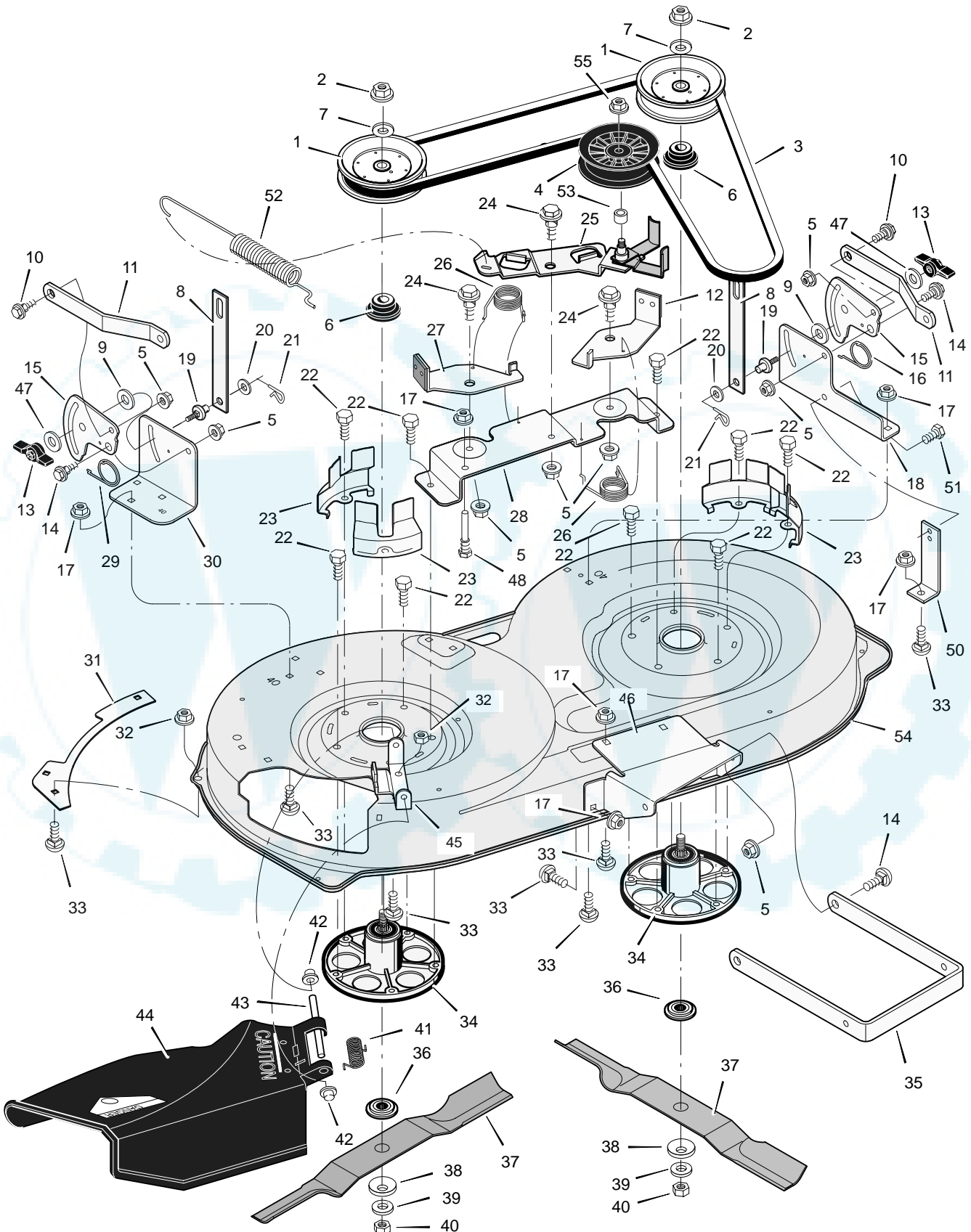
MODEL 405600x50A

REPAIR PARTS MOWER HOUSING SUSPENSION

Key No.	Description	Part No.	Key No.	Description	Part No.
1	Grip	092698	23	Washer	017x57
2	Handle, PTO	094346 Z	24	Pin, Hair	0031x4
3	Pad, Switch	094022 Z	25	Washer	017x91
4	Bolt	0025x3	26	Bolt, Carriage	002x85
5	Grip	092697	27	Lever Assembly, Lift	1001111E700
6	Spring	166x40	30	Pin	094067
7	Washer	17x103	31	Bracket, Rear Suspension	094055E700
8	Handle, Lift	690533	32	Spacer, Lifter	690151
9	Lever, PTO	094017 Z	33	Bolt, Shoulder	009x53
10	Bolt, Shoulder	009x39	34	Bracket, Pivot	094015E700
11	Pin, Cotter	030x20	36	Washer	17x191
13	Link, PTO	094004 Z	37	Nut, Flange	015x84
14	Nut, Flange	015x84	38	Spring	165x131
15	Screw	26x249	39	Nut, Flange	015x68
16	Spring	166x39	40	Bracket, PTO	094005E700
17	Bracket, PTO	094018E700	41	Hanger, Left Deck	094027E700
18	Spring	165x119	42	Hanger, Right Deck	094026E700
19	Crank, PTO	690394E700	43	Rod, Hanger	094158 Z
20	Link, Lift	690212E700	44	Bracket, Suspension	690539E700
21	Link, Lift Handle	690122E700	45	Plate, Stiffening	1001098E700
22	Washer	17x168			

MODEL 405600x50A

REPAIR PARTS MOWER HOUSING



MODEL 405600x50A

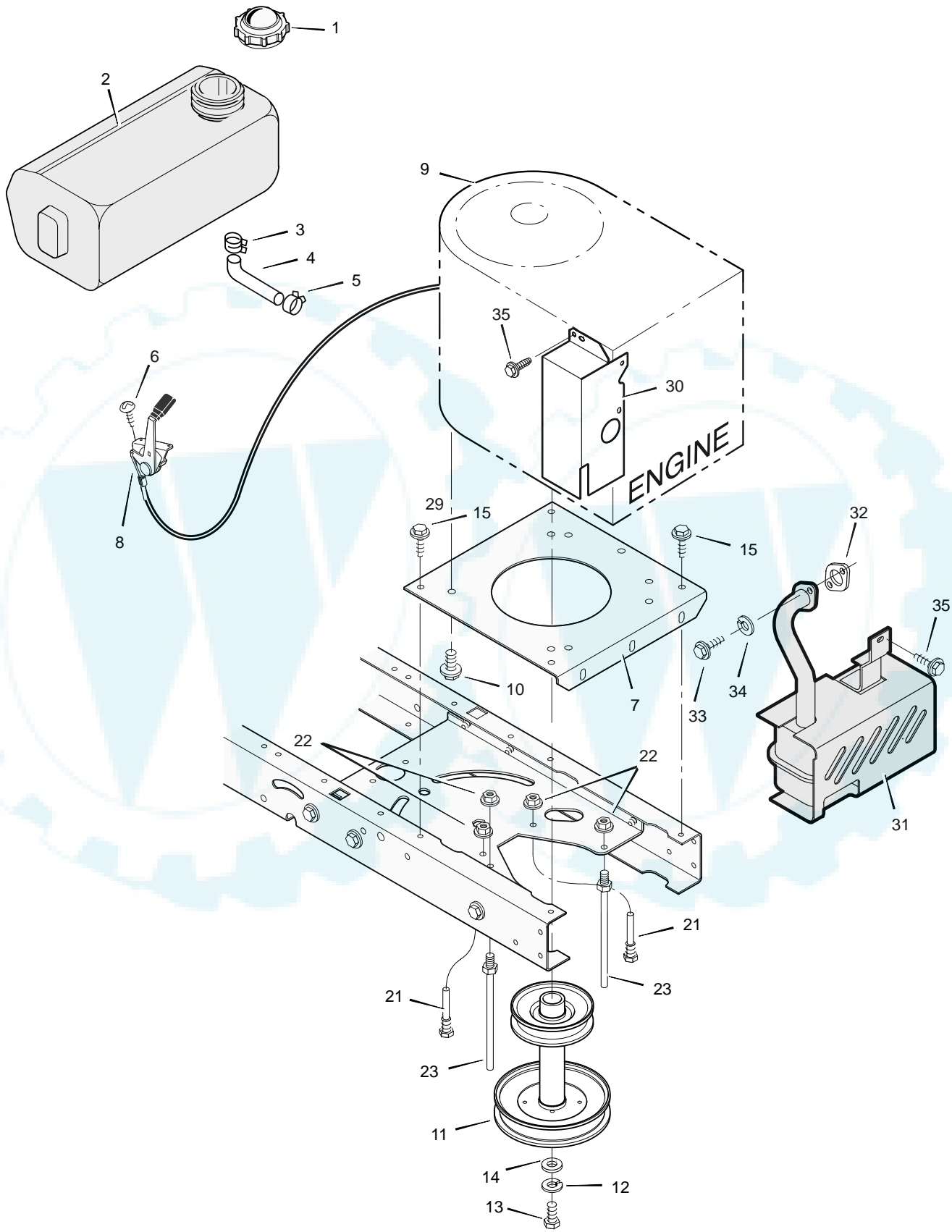
REPAIR PARTS MOWER HOUSING

Key No.	Description	Part No.	Key No.	Description	Part No.
1	Pulley, Jackshaft	092851	29	Spring	166x42
2	Nut, Hex	15x121	30	Bracket, Suspension	094142E700
3	Belt, Mower Drive	037x62	31	Plate	091770E700
4	Pulley, Idler	690387	32	Nut, Flange	015x88
5	Nut, Flange	015x84	33	Bolt, Carriage	02x53
6	Spacer, Pulley	1001197	34	Mandrell	1001200
8	Link, Lift	690212E700	35	Bracket, Suspension	690539E700
9	Pad, Friction	094137	36	Adapter, Blade	690411
10	Bolt, Shoulder	009x52	37	Blade	1001428E701
11	Bracket, Suspension	094055E700	38	Washer	17x166
12	Pad Assembly, Left Brake	094049E700	39	Washer	17x165
13	Knob	094068	40	Nut	15x100
14	Bolt, Shoulder	009x51	41	Spring	166x4
15	Plate, Suspension	094128E700	42	Cap, Push On	028x23
16	Spring	166x43	43	Rod, Pivot	094957 Z
17	Nut, Flange	015x79	44	Deflector Assembly	094707
18	Bracket, Suspension	094143E700	45	Bracket, Deflector	094956E700
19	Pin, Hanger	095194	46	Bracket, Front Hanger	094144E700
20	Washer	017x91	47	Washer	017x45 Z
21	Pin, Cotter	0031x4	48	Guide, Belt	94781
22	Bolt	0025x7	50	Bracket, Support	094681E700
23	Cover, Pulley	094051E700	51	Screw	26x249
24	Bolt, Shoulder	009x39	52	Spring, Extension	165x119
25	Arm, Idler	690408E700	54	Housing, Blade *	094141E700
26	Spring	0166x41	55	Nut, Flange	015x98
27	Pad Assembly, Right Brake	094047E700	1-55	Complete Mower Housing Assembly	776001
28	Bracket Assembly, Brake	094145E700			

* Includes Key No. 17, 18, 30, 31, 32, 33, 45, 46, 47 and 51.

MODEL 405600x50A

**REPAIR PARTS
ENGINE MOUNT**



MODEL 405600x50A

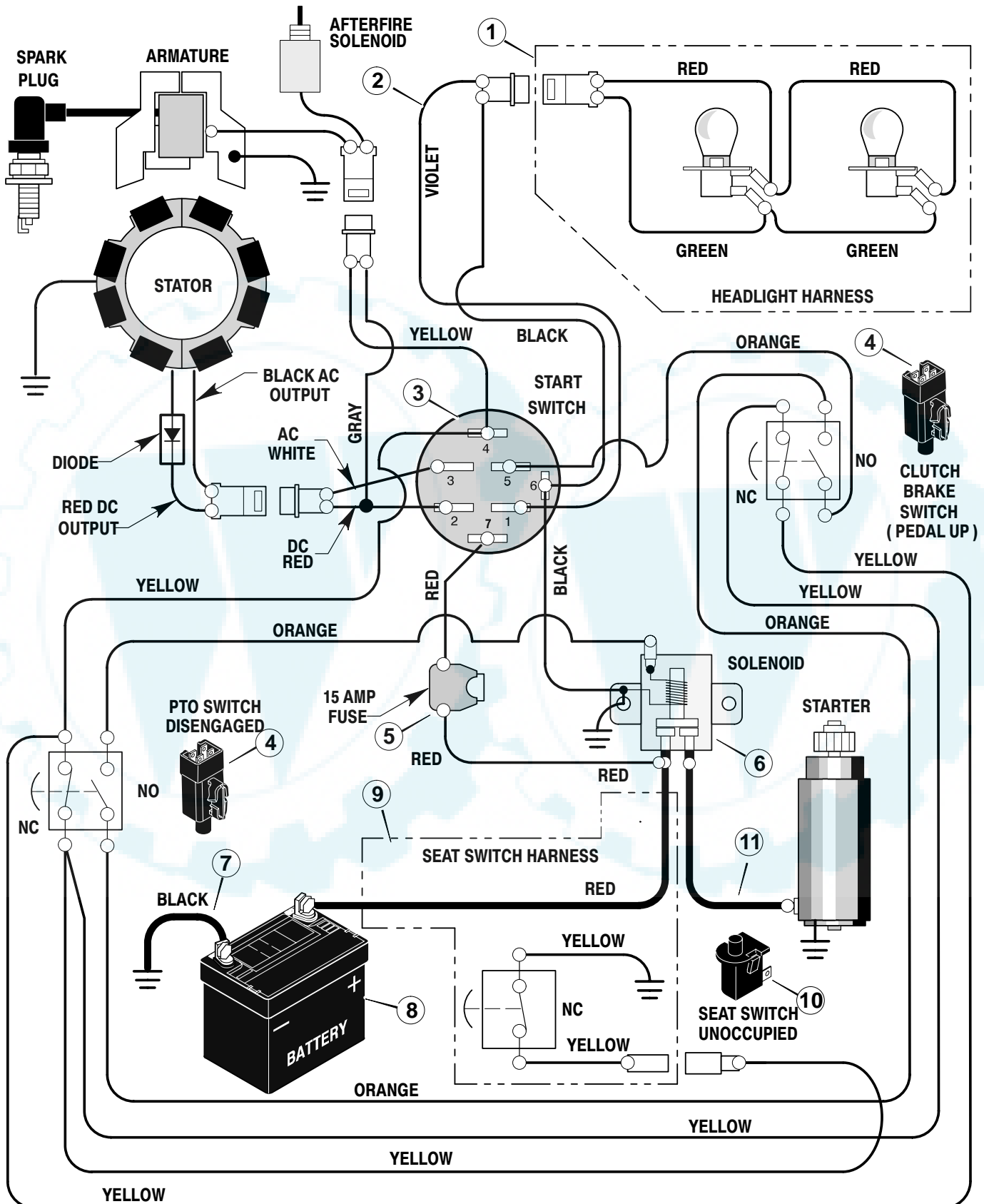
**REPAIR PARTS
ENGINE MOUNT**



Key No.	Description	Part No.
1	Fuel Cap	092317
2	Fuel Tank	690263
3	Hose Clamp **	095197
4	Fuel Line)Must be cut to length) **	023717
5	Hose Clamp	095197
6	Screw	26x201
7	Plate, Engine	094006E700
8	Throttle Control	092371
9	Engine	—
10	Bolt, Engine Mount	0025x7
11	Stack Pulley Assembly	690439 Z
12	Lockwasher	019x35
13	Bolt, Hex	01x140
14	Washer	17x170
15	Screw	26x249
21	Guide, Belt	094384
22	Nut, Flange	015x79 Z
23	Guide, Belt	094384
30	Shield, Heat	1001461E701
31	Muffler	1001432
32	Gasket	091309
33	Screw	06x103
34	Washer	018x15
35	Screw	026x263

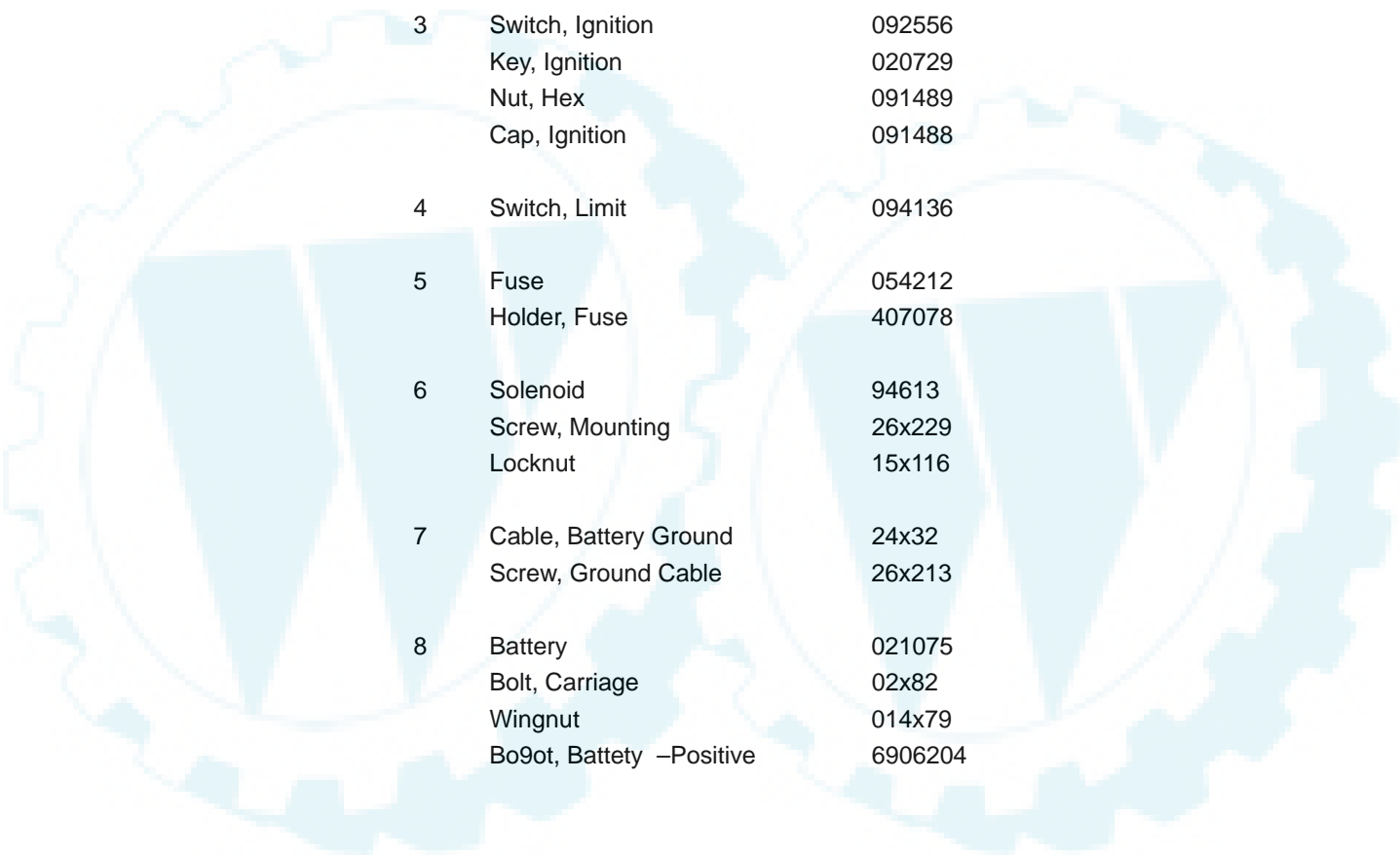
MODEL 405600x50A

REPAIR PARTS ELECTRICAL SYSTEM



MODEL 405600x50A

REPAIR PARTS ELECTRICAL SYSTEM



Key No.	Description	Part No.
1	Harness, Light Wire	250x92
	Socket, Light	092372
	Bulb, Light	090084
2	Harness, Chassis Wire	250x87
3	Switch, Ignition	092556
	Key, Ignition	020729
	Nut, Hex	091489
	Cap, Ignition	091488
4	Switch, Limit	094136
5	Fuse	054212
	Holder, Fuse	407078
6	Solenoid	94613
	Screw, Mounting	26x229
	Locknut	15x116
7	Cable, Battery Ground	24x32
	Screw, Ground Cable	26x213
8	Battery	021075
	Bolt, Carriage	02x82
	Wingnut	014x79
	Bo9ot, Battety -Positive	6906204
9	Harness, Seat Switch Wire	250x67
10	Switch, Seat Sensor	094159
11	Cable	024x31

MODEL 405600x50A

**REPAIR PARTS
DECALS**

Description (Location)	Part No.	Qty.
Cut Finger (Mower Deck –Right Side)	44x5430	1
Sentinel 15.5 HP 40" (Hood –Side)	48x1097	1
Sentinel 15.5 HP 40" (Hood –Side)	48x1098	1
Warning Symbols (Center Console)	44x6815	1
1–7 Height Adjust–Lift	44x7026	1
No Step (Mower Deck –Left Side)	44x5429	1
Sentinel (Seat Deck –Rear Center)	48x782	1
Deck Level Position –ONLY (Seat Deck –Left Side)	44x7027	1
Brake/Parking Brake (Footrest –Left)	44x5437	1
DANKA	44x7197	1
SENTINEL Logo	48x861	1
Auto Drive (Console –Top Right)	44x6675	1
Dump Valve (Seat Deck – Top Left)	44x6962	1
Warning, Heat Shield	44x5936	1
TUV & GS	44x2929	1
Auto Drive	44x6945	1
Auto Drive	44x6944	1
Drawbar	48x511	
Briggs Logo	44x6277	
Warning, Pinch Point	44x6828	