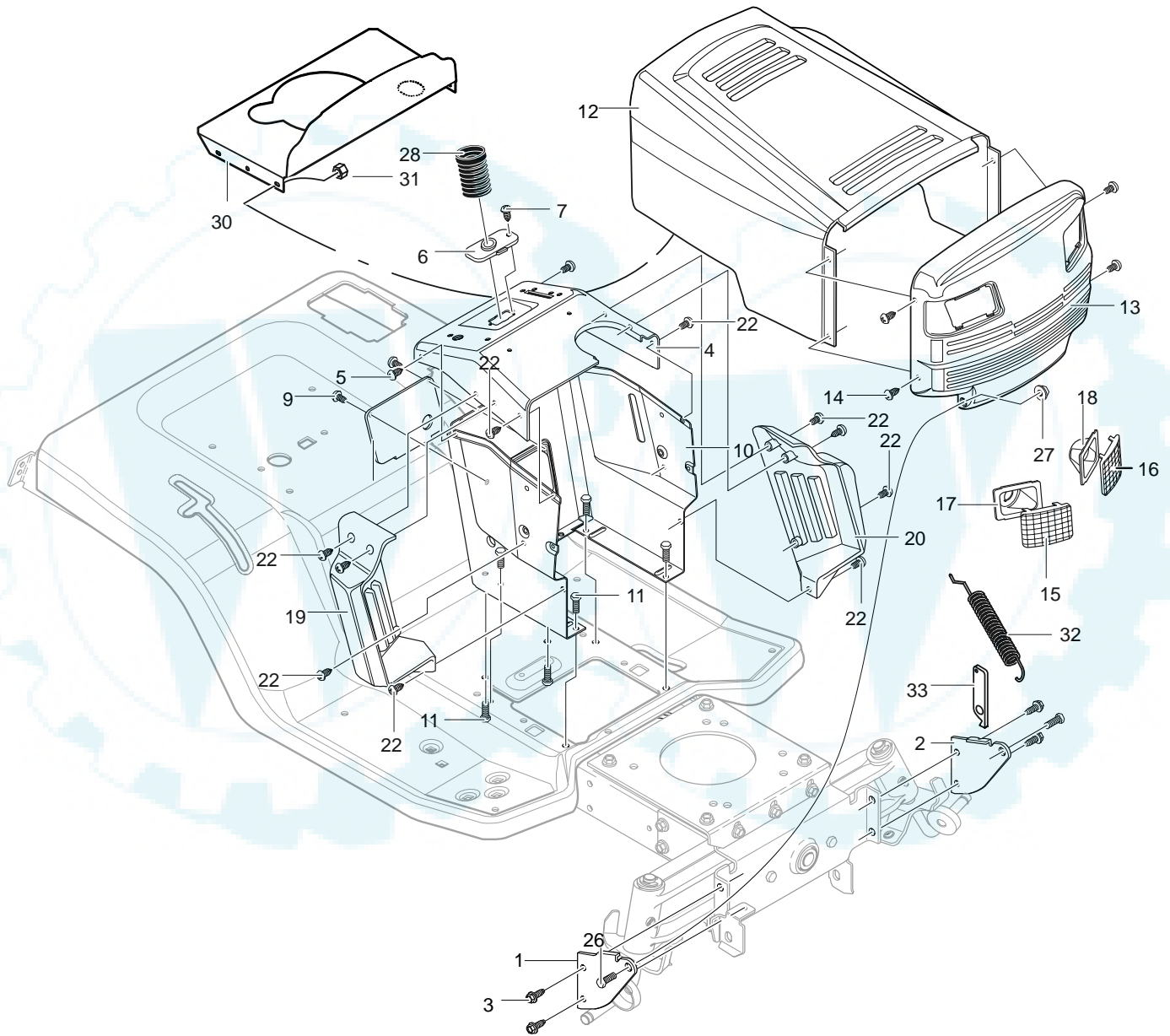


MODEL 40379x68A

**REPAIR PARTS
CONSOLE & HOOD**



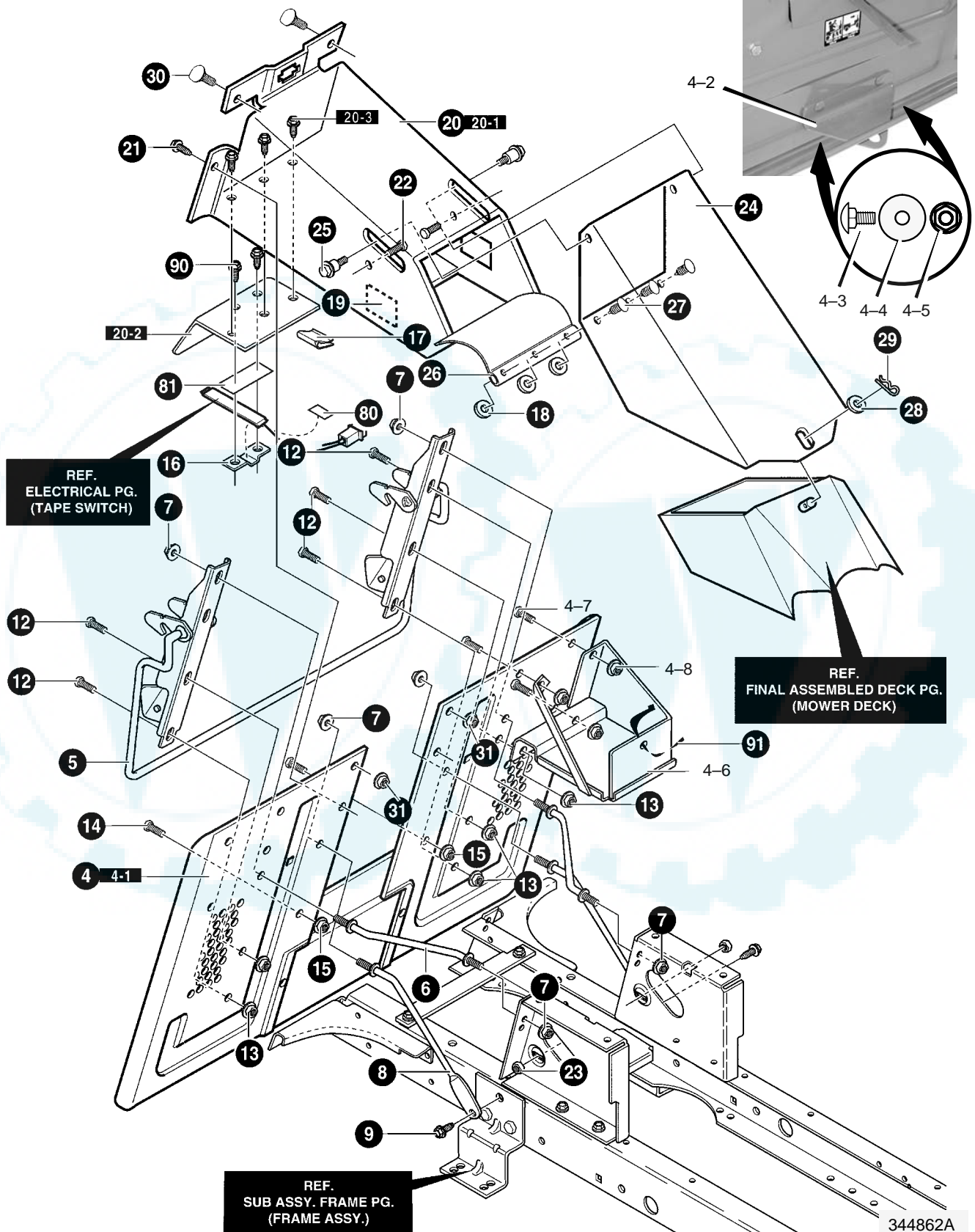
MODEL 40379x68A

**REPAIR PARTS
CONSOLE & HOOD**

Key No.	Description	Part No.
1	SUPPORT, GRILLE RH	94084-853
2	SUPPORT, GRILLE LH	94085-853
3	SCREW, 5/16-18X.75	711606
4	DASH	94590-884
5	SCREW, 10-24X.500	711629
6	STEERING BRACKET	94075
7	SCREW, 1/4-20X.50	711592
8	PANEL, ACCESS W/BUZZER	95366-884
9	SCREW, 10-24X.500	711629
10	DASH SUPPORT	95318-884
11	SCREW, 5/16-18X.75	711606
12	HOOD	94322-848
13	GRILLE	94087-884
14	SCREW, 10-24X.500	711629
15	LENS, TWIN RH	94092
16	LENS, TWIN LH	94093
17	REFLECTOR, RH	94088
18	REFLECTOR, LH	94089
19	PANEL, SIDE RH	95217
20	PANEL, SIDE LH	95218
22	SCREW, 10-24X.500	711629
26	BOLT, SHOULDER .375	711611
27	NUT, 3/8-16	711622
28	BELLOWS-STEERING POST	92059
29	PAD, ADHESIVE	318197
30	PLENUM	94113-853
31	NUT, 1/4-20 HEXNYL	711632
32	SPRING, EXT. 5.13LG	165X124
33	BRACKET, HOOD	690606

MODEL 40379x68A

REPAIR PARTS REAR CHASSIS



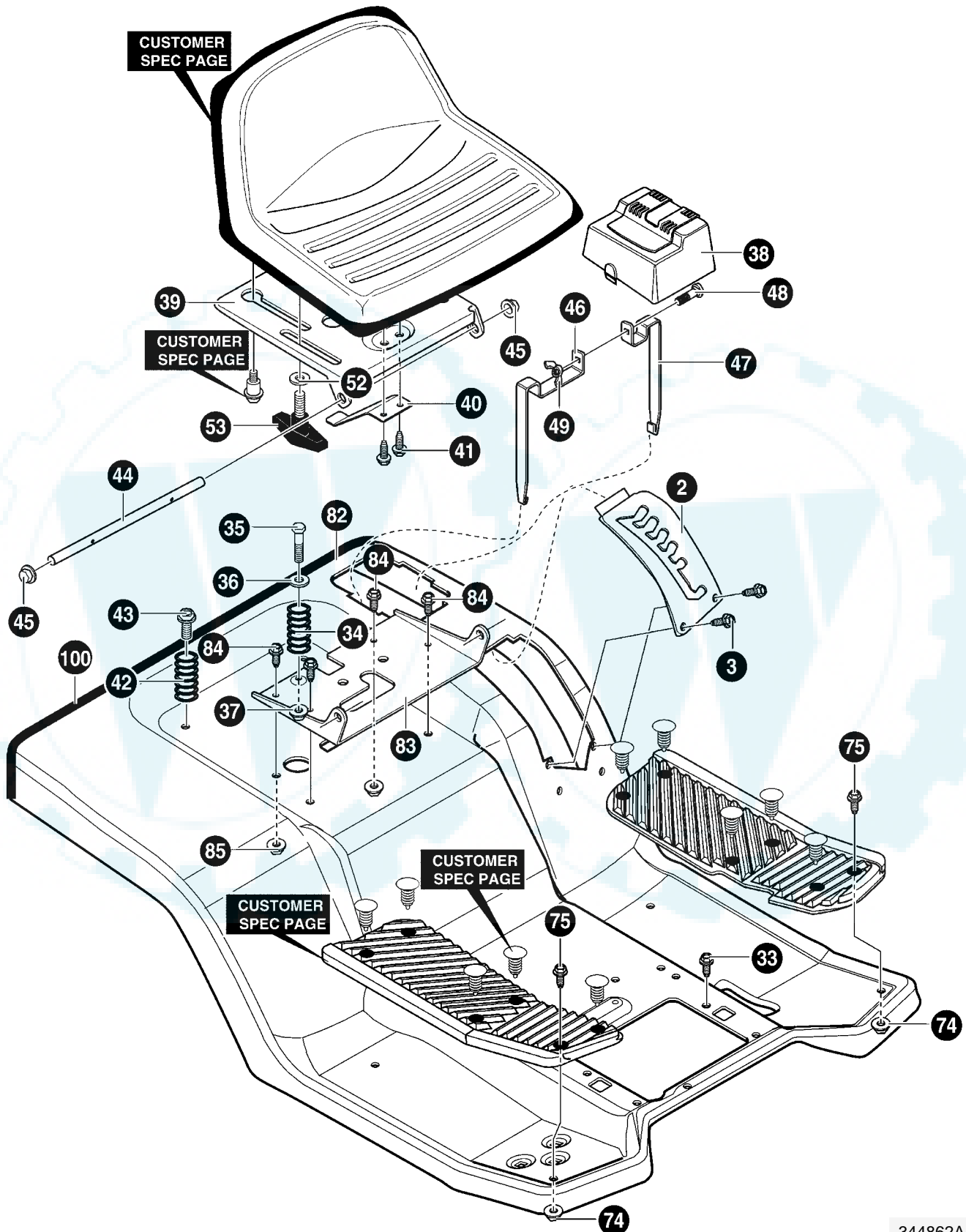
MODEL 40379x68A

REPAIR PARTS REAR CHASSIS

Key No.	Description	Part No.
4	ASSY, BACK PLATE/BATTERY	1001068-853
4-1	ASM. BACKPLATE, ONE PIECE	1001030
4-2	HITCH, FLAT BACK PLATE	1001063
4-3	BOLT, CARRIAGE	340720
4-4	NUT, HEX	710026
4-5	WASHER, FLAT	711921
4-6	BATTERY TRAY ASM.	94563
4-7	SCREW, 5/16-18X.50 HHC	180073
4-8	NUT, 5/16-18 HEXWDFLLK WHIZ	15X79
5	WELDMENT-LATCH LEVER	95359-853
6	ROD, BRACE	690097
7	NUT, 3/8-16 HWDFL WHIZ-LOCK	711906
8	ROD, BRACE	94231
9	SCREW, 5/16-18X.75 HHWATAP	711606
12	SCREW 5/16-18X.75 WDFLW	9357
13	NUT, 5/16-18 HEXWDFLLK WHIZ	710026
14	SCREW 5/16-18X.75 HHWATAP	711606
15	NUT, 5/16-18 HEXWDFLLK WHIZ	710026
16	BRACKET, FLEX SWITCH MOUNTING	690245
17	WIRE CLIP, ADHESIVE	55939
18	FLATWASHER, .250X.56X.047	711666
19	PAD, ADHESIVE 1.00X1.50X.12	318197
20	ASM., T/A SHIELD & UPPER CHUTE	690102-853
20-1	CHUTE WELD ASM. UPPER	94350
20-2	SHIELD, TRANSAXLE	95367
20-3	SCREW, 1/4-20X.63 HHWATAP	711642
21	SCREW, 5/16-18X.75 HHC	711606
22	BOLT, 5/16-18X.75 CARR	340720
23	NUT, 5/16-18 HEXWDFLLK WHIZ	710026
24	MIDDLE CHUTE ASSY	94296-853
25	BOLT, SHOULDER, 3/8-16	9X57
26	FLAP, CHUTE	94264
27	FASTENER, RATCHET	309235
28	FLATWASHER	711617
29	PIN, HAIR .38DIAX1.64LG	711682
30	BOLT, 5/16-18X.75 CARR.	340720
31	NUT, 5/16-18 HEXWDFLLK WHIZ	710026
80	TAPE, DOUBLE SIDED FOAM 3/4" WD	712009
81	TAPE, DOUBLE SIDED FOAM 3/4" WD	712009
90	SCREW, 1/4-20X.63 HHWATAP	711642
91	CABLE TIE	57444

MODEL 40379x68A

REPAIR PARTS SEAT AND SEAT PAN



344862A

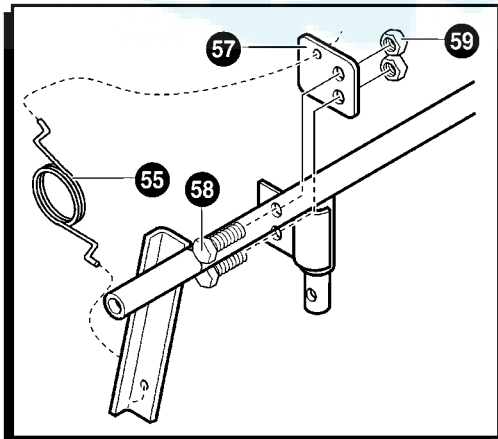
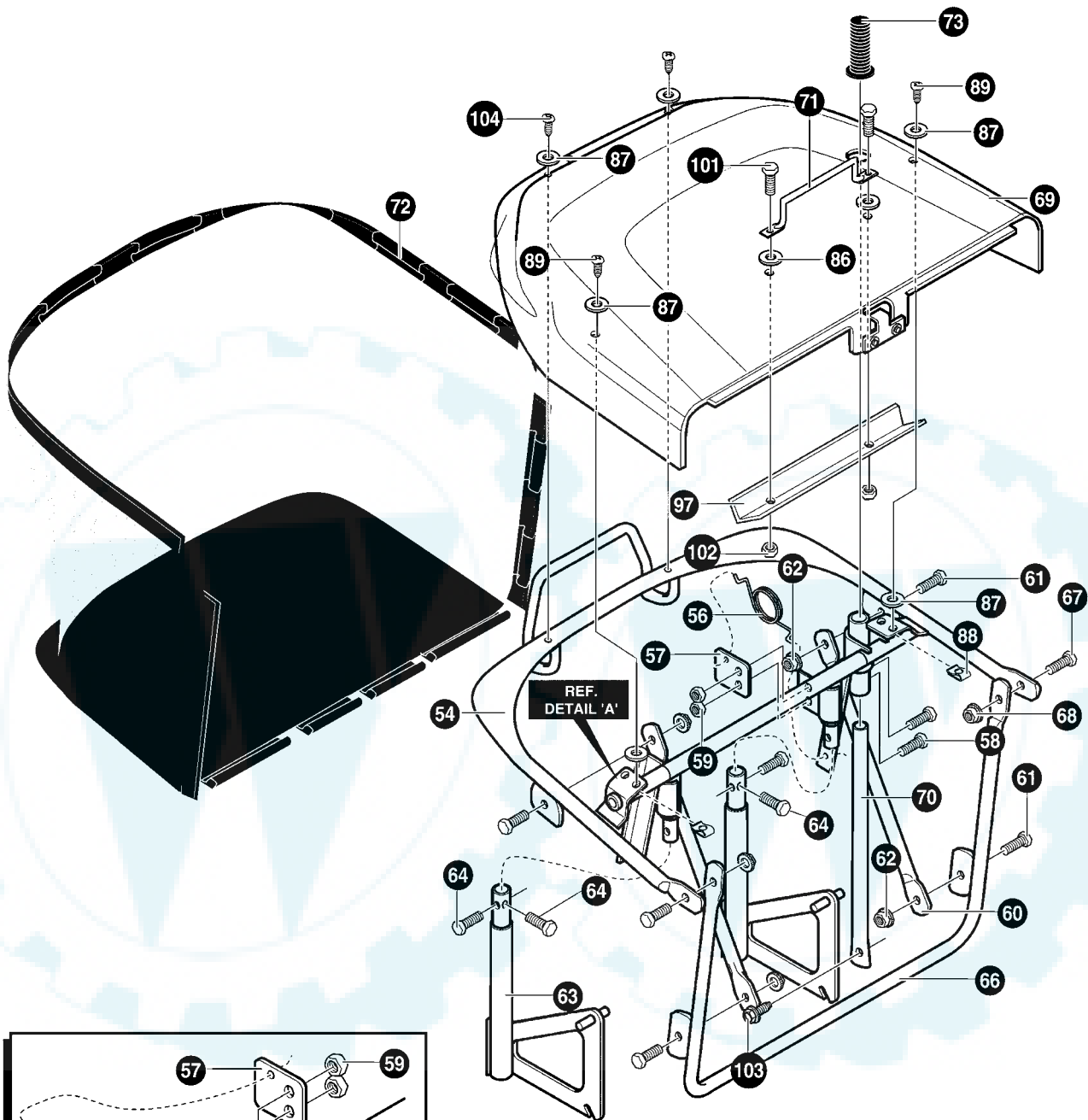
MODEL 40379x68A

REPAIR PARTS SEAT AND SEAT PAN

Key No.	Description	Part No.
2	PLATE-LIFT DETENT 5 POS, REBA	95190-853
3	SCREW, #12X.50	711741
34	SPRING, COMP. 4.57LGX1.17	710136-853
35	BOLT, SHOULD 1/4-20	711610
36	ZINC WASHER CUP	95293
37	NUT, CTRLK 1/4-20	302635
38	COVER, BATTERY	94200
39	SUPPORT, SEAT	94154-884
40	SPRING-LEAF	94057
41	SCREW, 1/4-20X.50	711592
42	SPRING, COMP 2.43LG	710109-853
43	SCREW, 5/16-18X.75	711606
44	ZINC HINGE SEAT PIVOT	95294
45	NUT, PUSH CAP .375	711627
46	BATTERY BRACKET L.H.	95393-853
47	BATTERY BRACKET R.H.	95394-853
48	BOLT, 1/4-20X.63 CARR.	711680
49	NUT, WING 1/4-20	711636
52	WASHER, FLAT .344X.62X.06	711644
53	BOLT, WING 5/160-18X.50	711747
74	NUT, 5/16-18 HEX	710026
75	BOLT, 5/16-18X.75 CARR.	711891
82	SEAT DECK PEDAL HYDRO	94311-884
83	BRACKET, SEAT PIVOT	94153-884
84	SCREW, 5/16-18X.75	711606
85	NUT, 5/16-18 HWDFLK	711634
100	TRIM, STRIP	55021

MODEL 40379x68A

**REPAIR PARTS
REAR BAGGER ASSEMBLY**




DETAIL 'A'

344862A

MODEL 40379x68A

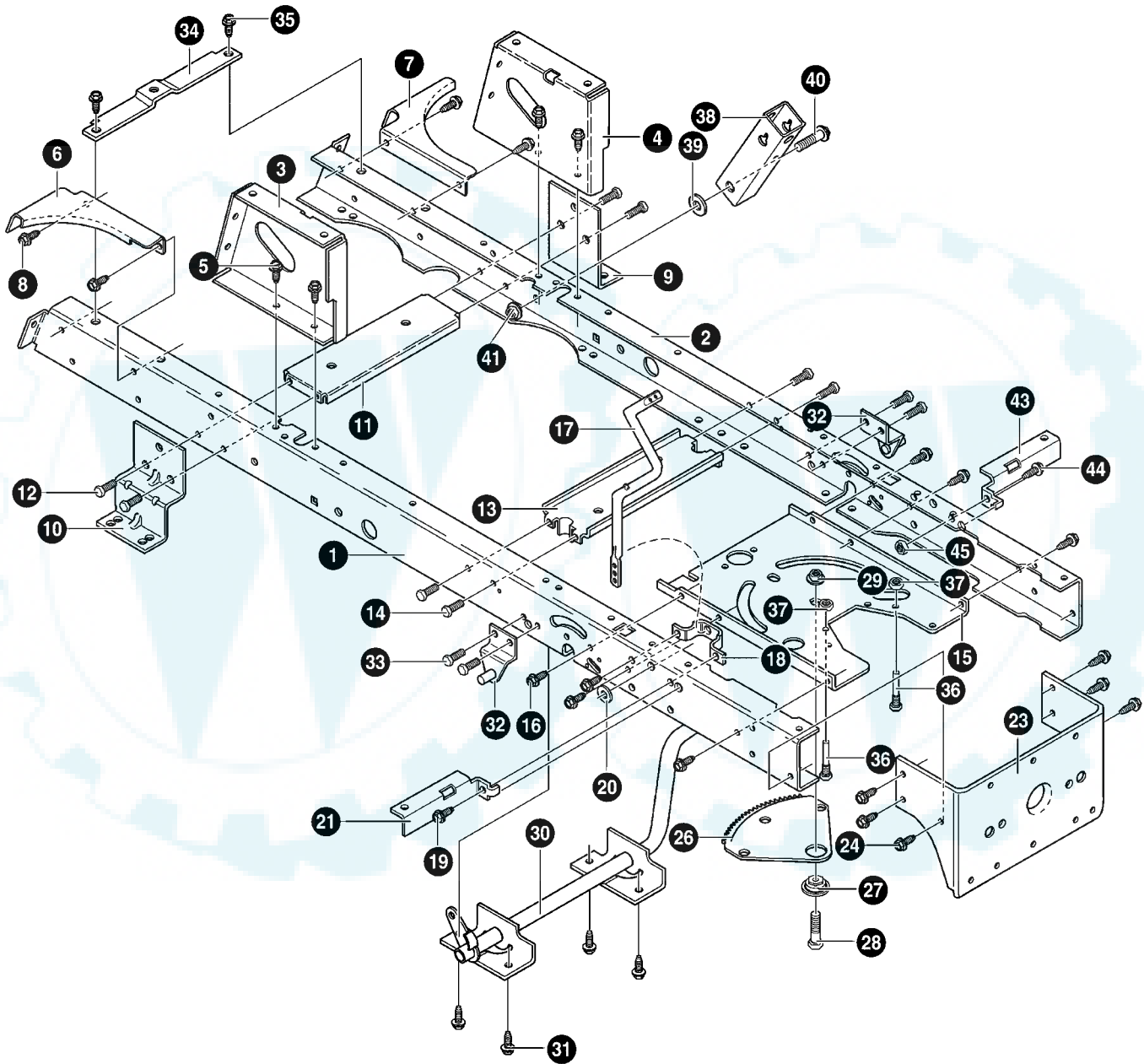
**REPAIR PARTS
REAR BAGGER ASSEMBLY**



Key No.	Description	Part No.
54	ASM. WLD- UPPER FRAME	690044-853
55	SPRING, TORSION RH BAG CLOSE	690003
56	SPRING, TORSION LH BAG CLOSE	690004
57	BRACKET, SPRING COLLECTOR	95339-853
58	SCREW, 1/4-20X.62	711909
59	NUT, 1/4-20	303008
60	BRACE, FRAME COLLECTOR	94850-853
61	SCREW, 1/4-20X.62	711909
62	NUT, 1/4-20	303008
63	ASM. SUPPORT COLLECTOR	95343-853
64	SCREW, 5/16-18X1.50	711653
66	ASM., FRONT FRAME COLLECT	95349-853
67	SCREW, 1/4-20X.62	711909
68	NUT, 1/4-20	711632
69	TOP COLLECTOR ASM.	94908-884
70	HANDLE, DUMP REBA COLLECTOR	690019
71	HANDLE, REBA COLLECTOR	690506-853
72	REBA COLLECTOR BAG	95389
73	RUBBER GRIP	94854
85	NUT, 5/16-18	711634
86	WASHER, .281X1.25X.06	712129
87	WASHER, FLAT	711921
88	NUT, 1/4-20 TINN U	578107
89	SCREW, 1/4-20X.63	711674
97	BRACE, BAGGER	690010-853
101	SCREW, 1/4-20X1.50	712068
102	NUT, 1/4-20	711632
103	SCREW, #12X.50	711741
104	SCREW, #12X.50	711741

MODEL 40379x68A

**REPAIR PARTS
FRAME ASSEMBLY**



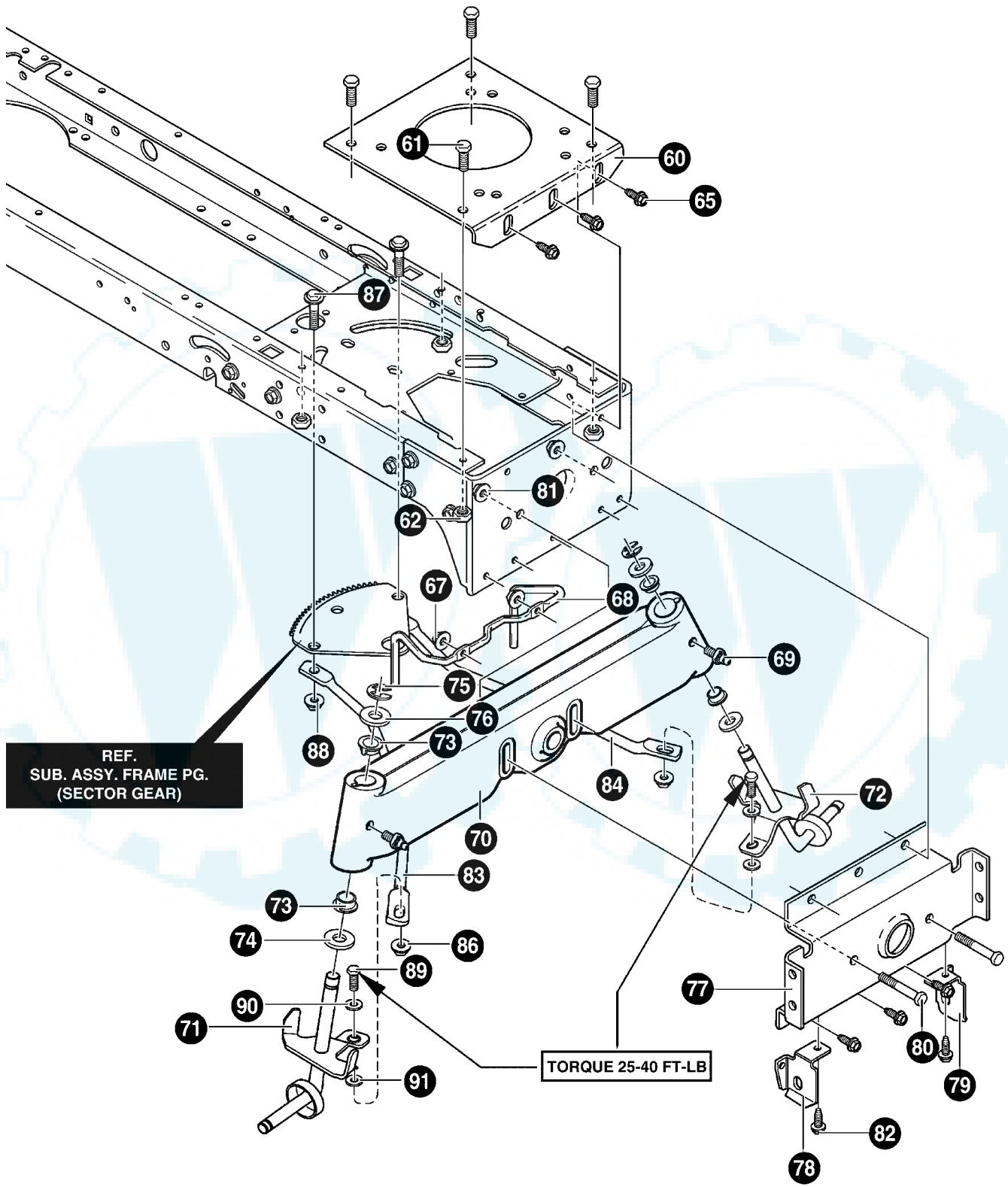
MODEL 40379x68A

REPAIR PARTS FRAME ASSEMBLY

Key No.	Description	Part No.
1	FRAME, RAIL RH	94564
2	FRAME, RAIL LH	94565
3	SUPPORT, SEAT RH	94634
4	SUPPORT, SEAT LH	94633
5	SCREW, 5/16-18X.75HHWATAP	710079
6	BRACE, BACKPLATE RH	94561
7	BRACE, BACKPLATE LH	94562
8	SCREW, 5/16-18X.75HHWATAP	710079
9	BRACKET, TRANSAXLE	94008
10	BRACKET, T/A RH-VST LH-MS	94234
11	ASM., IDLER MOUNT, REAR	94236
12	SCREW, 5/16-18X.75HHWATAP	710079
13	ASM. IDLER MOUNT FRONT	94237
14	SCREW, 5/16-18X.75HHWATAP	710079
15	PLATE, STEERING MOUNTING	690551
16	SCREW, 5/16-18X.75HHWATAP	710079
17	CRANK, PTO DRILLED	690394
18	BRACKET, BELL CRANK	94005
19	SCREW, 5/16-18X.75HHWATAP	710079
20	WASHER, FLAT .469X.92X.065	120395
21	BRACKET, SEAT DECK LH	690035
23	BRACKET HANGER REAR	94013
24	SCREW, 5/16-18X.75HHWATAP	710079
26	GEAR, SECTOR	94121
27	BEARING, SECTOR GEAR	94123
28	SCREW 5/16-18X1.00	710312
29	NUT, 5/16-18 HEXKEPS	710105
30	ASM., CLUTCH/BRAKE PEDAL STD.	94241
31	SCREW, 5/16-18X.75HHWATAP	710079
32	BRACKET, SUSPENSION ASM.	94285
33	SCREW, 5/16-18X.75HHWATAP	710079
34	BRACE, RAIL	94566
35	SCREW, 5/16-18X.75HHWATAP	710079
36	ZINC SCRW GUIDE 5/16-18	93349
37	NUT, 5/16-18 HEXWDFLLK WHIZ	710204
38	BRACKET, PIVOT	94015
39	WASHER, FLAT .390X1.25X.119	845
40	BOLT, .562X1.563 HSH 3/8-16	710000
41	NUT, 3/8-16 HWDFFLK MACK	710140
43	BRACKET, SEAT DECK LH	690036
44	SCREW, 5/16-18X.75HHWATAP	710079
45	NUT, 5/16-18 HEXWDFLLK WHIZ	710204


MODEL 40379x68A

REPAIR PARTS AXLE ASSEMBLY



MODEL 40379x68A

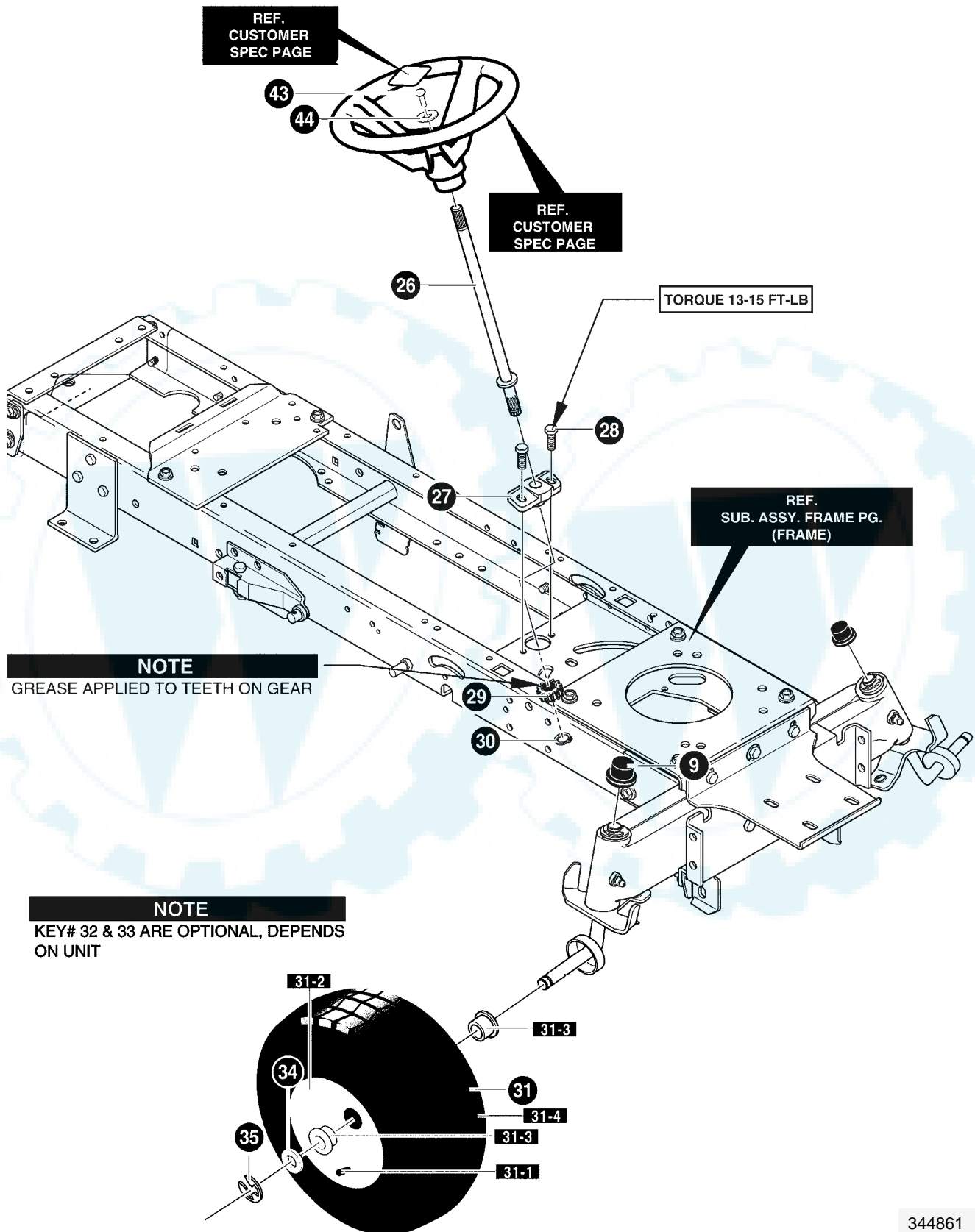
**REPAIR PARTS
AXLE ASSEMBLY**



Key No.	Description	Part No.
60	PLATE, ENGINE	94006
61	SCREW, 5/16-18X.75	26X249
62	NUT, 5/16-18	15X88
65	SCREW, 5/16-18X.75	26X249
67	NUT, 5/16-18 HEX	15X79
68	GUIDE-STACK PULLEY BELT	94310
69	ZERK, GREASE FITTING	706
70	AXLE, CAST MACHINED	95405
71	SPINDLE, LONG RH	95182
72	SPINDLE, LONG LH	95183
73	BEARING, SPINDLE	92527
74	WASHER	17X113
75	E-RING	11X3
76	WASHER, FLAT	17X195
77	HANGER, AXLE	94007
78	HANGER, DECK RH	690199
79	HANGER, DECK LH	690198
80	SCREW 5/16-18X3.00	180113
81	NUT, 5/16-18	15X88
82	SCREW, 5/16-18X.75	26X249
83	DRAG LINK LH	95329
84	DRAG LINK RH	95328
86	NUT, 3/8-16	15X84
87	BOLT, HHSH	9X57
88	NUT, 3/8-16	15X84
89	SCREW, 3/8-16X1.50	1X111
90	WASHER, FLAT	17X104
91	WASHER, FLAT	17X53

MODEL 40379x68A

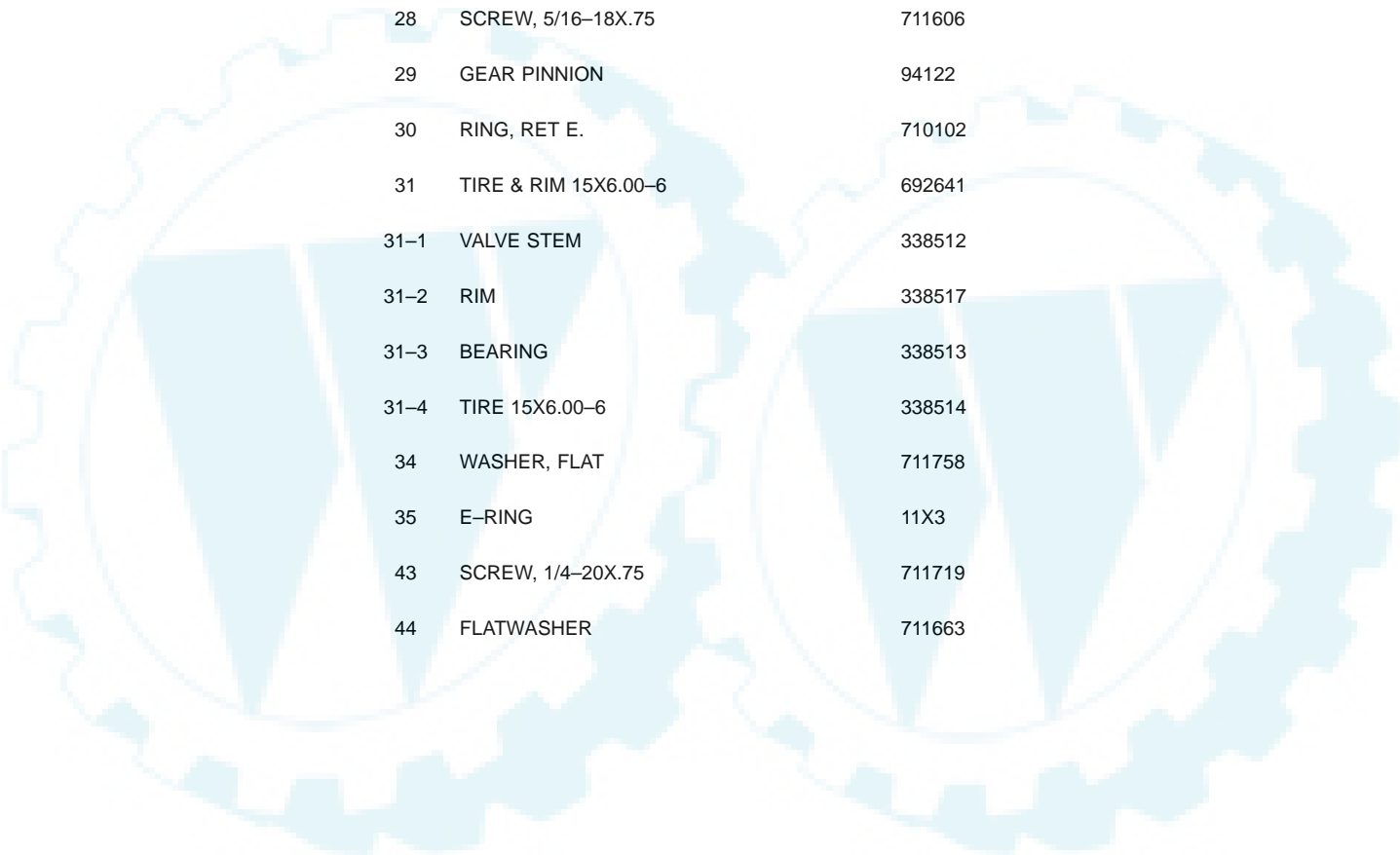
REPAIR PARTS STEERING ASSEMBLY



344861

MODEL 40379x68A

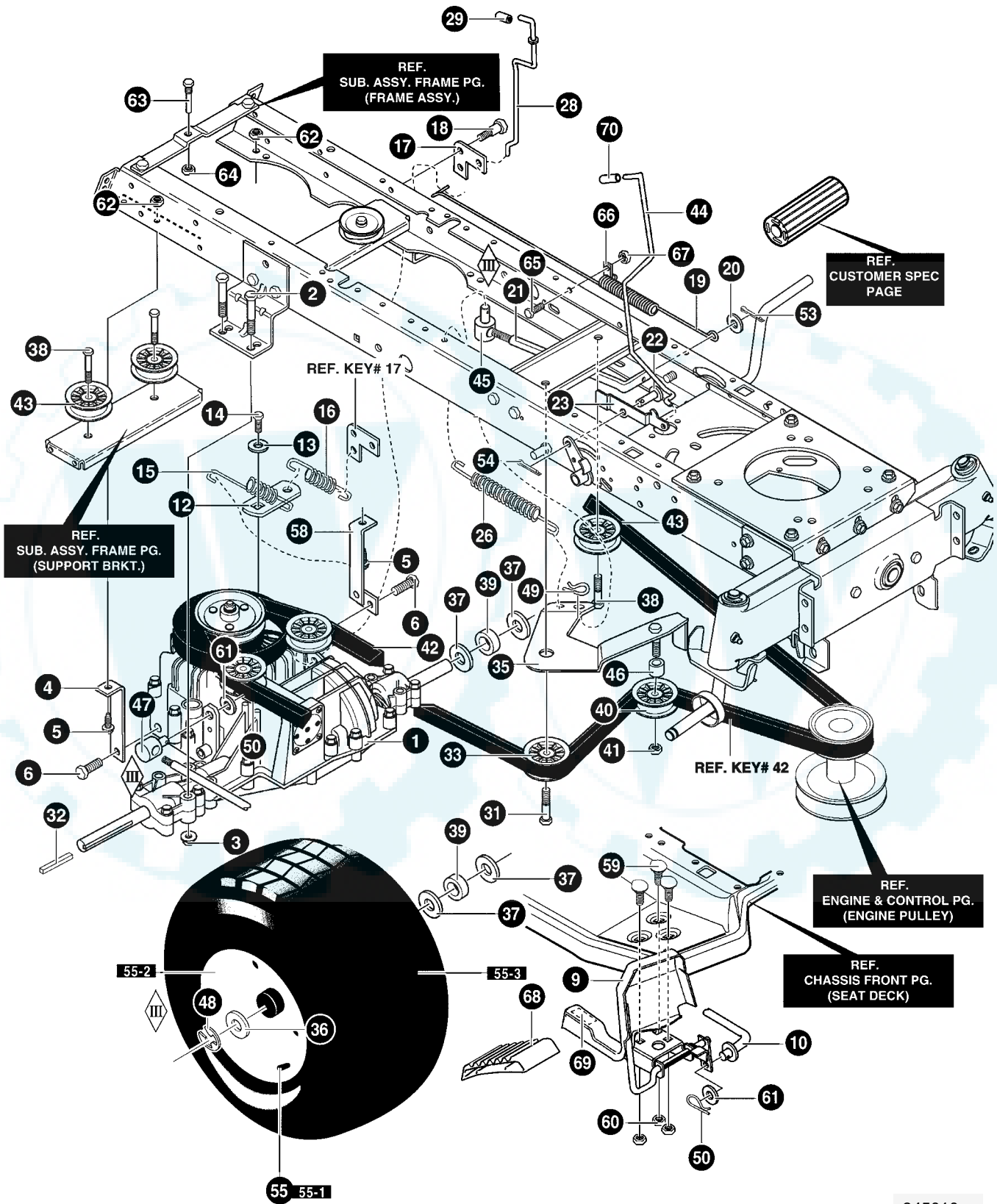
REPAIR PARTS STEERING ASSEMBLY



Key No.	Description	Part No.
9	DUST HUB CAP	94618
26	SHAFT, STEERING BOLT ON	94520
27	BEARING-LOWER	94124
28	SCREW, 5/16-18X.75	711606
29	GEAR PINNION	94122
30	RING, RET E.	710102
31	TIRE & RIM 15X6.00-6	692641
31-1	VALVE STEM	338512
31-2	RIM	338517
31-3	BEARING	338513
31-4	TIRE 15X6.00-6	338514
34	WASHER, FLAT	711758
35	E-RING	11X3
43	SCREW, 1/4-20X.75	711719
44	FLATWASHER	711663

MODEL 40379x68A

REPAIR PARTS DRIVE ASSEMBLY



345010

MODEL 40379x68A

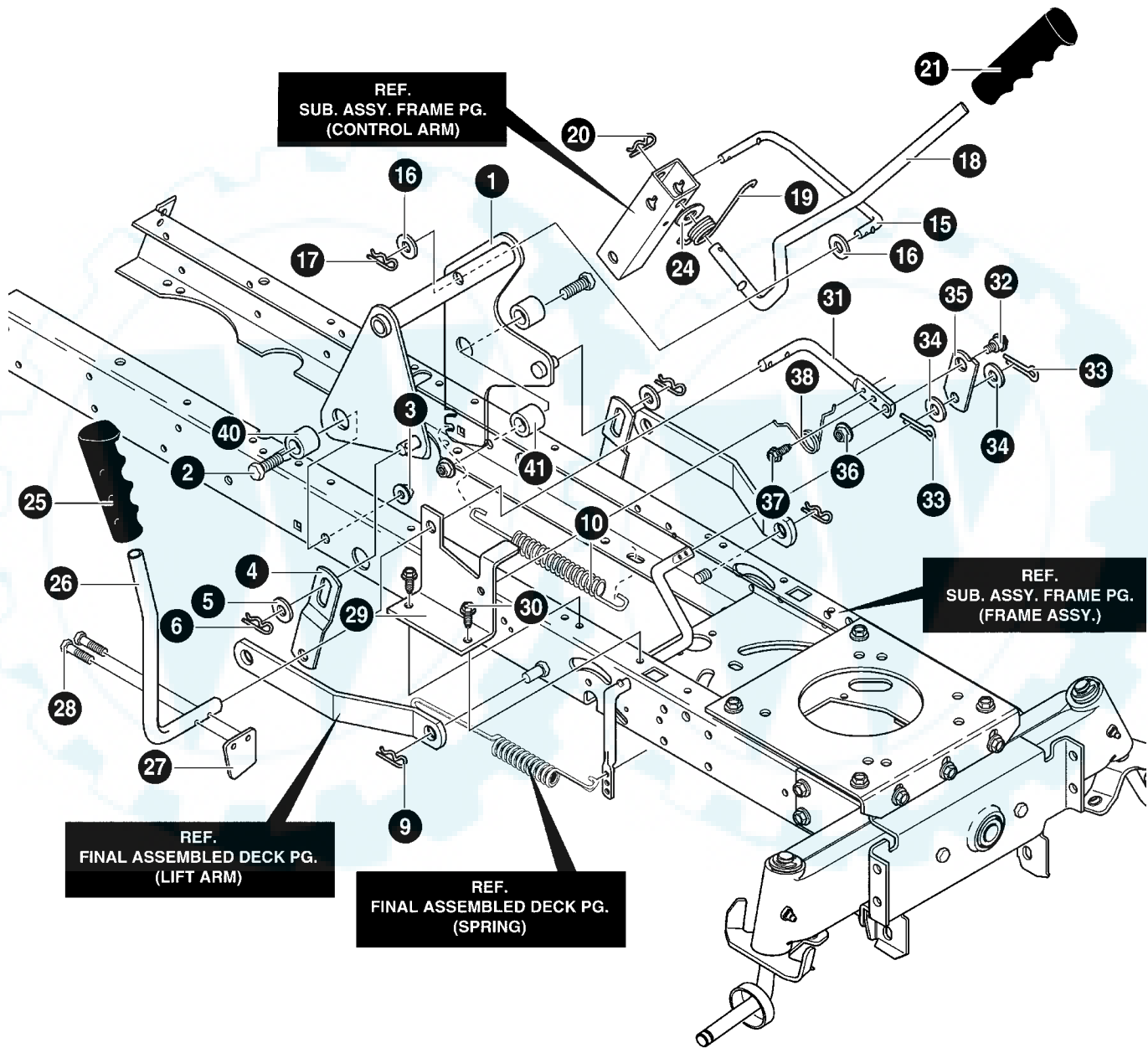
REPAIR PARTS DRIVE ASSEMBLY

Key No.	Description	Part No.	Key No.	Description	Part No.
1	PEERLESS HYDRO MST206-512A	—	40	PULLEY, IDLER 2.75 DIA	690409
2	SCREW, 5/16-18X2.50	711669	41	NUT, 3/8-16	711920
3	NUT, 5/16-18	711634	42	BELT, V4L 112.75	94609
4	STABILIZER BRACKET	94224-853	43	PULLEY, IDLER	1001065
5	SCREW, 5/16-18X1.0	711893	44	PARK BRAKE CONTROL ROD	690047
6	SCREW, 5/16-18X.75	710268	45	SPACER 1/2 TO 17MM	690369
9	PEDAL ASSY. HYDRO	690134-853	46	ROD, SHIFT	690027
10	ROD, FOOT CONTROL	690018	47	ADJUST NUT 1/2-13	711594
12	BRKT, SHIFT	323212	48	E-RING	11X3
13	WASHER, TRANSAXLE	711895	49	PIN, HAIR	711659
14	SCREW, 1/4-28X.750	1X145	50	PIN, HAIR	711676
15	SPRING, TRANSAXLE	94622	53	COTTER PIN	71081
16	SPRING	326780	54	COTTER PIN	71081
17	BRACKET, DISCONNECT LEVER	94621-853	55	TIRE & RIM ASSY	692511
18	BOLT, HHSH 5/16-18	711896	55-1	VALVE STEM	338512
19	SPRING, BRAKE	95424	55-2	RIM	338524
20	WASHER, FLAT	711921	55-3	TIRE 20X8X8	338525
21	ROD, CLUTCH	690016	58	ASM., BRACKET STABILIZER	94225-853
22	PIN, CLEVIS	711903	59	BOLT, 5/16-18X.75 CARR.	711688
23	ZINC LATCH, PARK BRAKE	95290	60	NUT, 5/16-18 HEX	710026
26	SPRING, TENSION	711522	61	WASHER, FLAT	711894
28	ROD, DISCONNECT CONTROL	690015	62	NUT, 5/16-18X.75	710026
29	GRIP, HYDRO DISCONNECT	690032	63	SCREW GUIDE	711745
31	SCREW, 3/8-16X1.25	711905	64	NUT, 5/16-18	710026
32	KEY, SQUARE	52928	65	SCREW, 1/4-20X.50	313686
33	PULLEY, IDLER V4L	1001065	66	WIRE RETAINER	711742
35	ASSY., IDLER ARM TRACTION	94238-848	67	NUT, 1/4-20	780285
36	WASHER, FLAT	711758	68	PEDAL, PAD SANDPAPER	93248
37	WASHER, FLAT .755ID	711904	69	PAD, TOE SANDPAPER	93249
38	SCREW, 3/8-16X1.25	711905	70	CAP, DUMP VALVE ROD	335980
39	SPACER .87X1.78	95274			

* CONTACT YOUR NEAREST PEERLESS TRANSAXLE DEALER FOR PARTS AND SERVICE.


MODEL 40379x68A

REPAIR PARTS MOWER SUSPENSION ASSEMBLY



MODEL 40379x68A

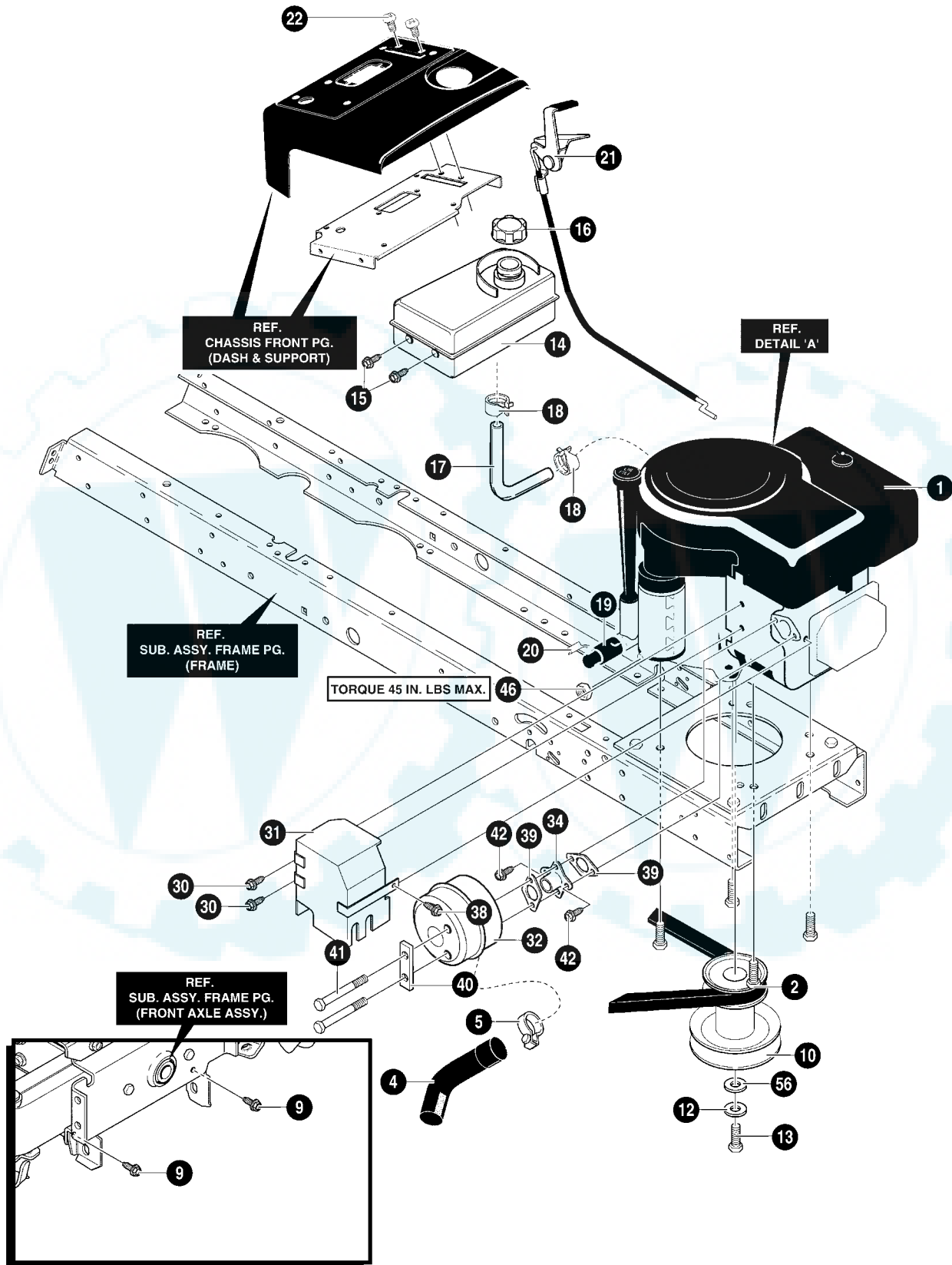
**REPAIR PARTS
MOWER SUSPENSION ASSEMBLY**



Key No.	Description	Part No.
1	ASM., LIFT ARM	95233-853
2	SCREW, 1/2-13X1.50	711917
3	NUT, 1/2-13 LOCK	711918
4	BRACKET, LIFT LINK	94262-853
5	WASHER, FLAT	711617
6	PIN, HAIR	711676
9	PIN, HAIR	711676
10	SPRING, EXTENSION	710235
15	LINK-LIFT HANDLE	711981
16	WASHER, FLAT	711617
17	PIN, HAIR	711676
18	ZINC HANDLE, LIFT	690532
19	TORSION SPRING	710111
20	PIN, HAIR	711676
21	GRIP, LIFT	94497
24	WASHER, FLAT	711616
25	GRIP, PTO 5/8"	94496
26	PTO HANDLE	712033
27	ZINC PADDLE, SWITCH	95284
28	SCREW, THD FORM	711621
29	BRACKET, PTO	94018-853
30	SCREW, 5/16-18X.50	780055
31	ZINC LEVER, PTO	95283
32	BOLT, .50X.75 HSH 3/8-16	711613
33	PIN, HAIR	711659
34	WASHER, FLAT	711615
35	ZINC LINK PTO	95282
36	NUT, 3/8-16 HWDFLK MACK	711622
37	SCREW, 5/16-18X.75	711606
38	TORSION SPRING	710141
40	SPACER	94309
41	SPACER	56150

MODEL 40379x68A

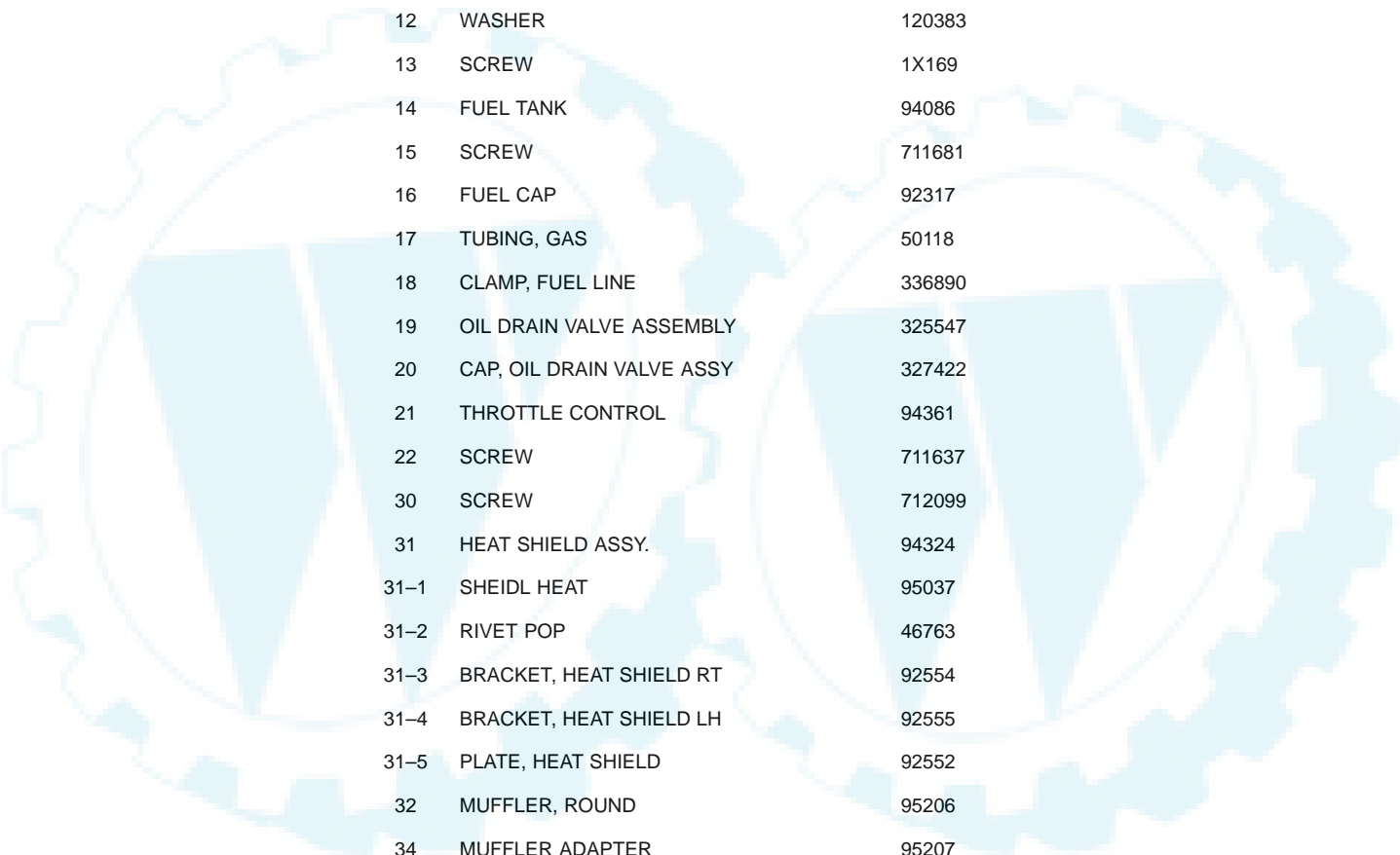
REPAIR PARTS
ENGINE AND CONTROL ASSEMBLY



INSET 'A'

MODEL 40379x68A

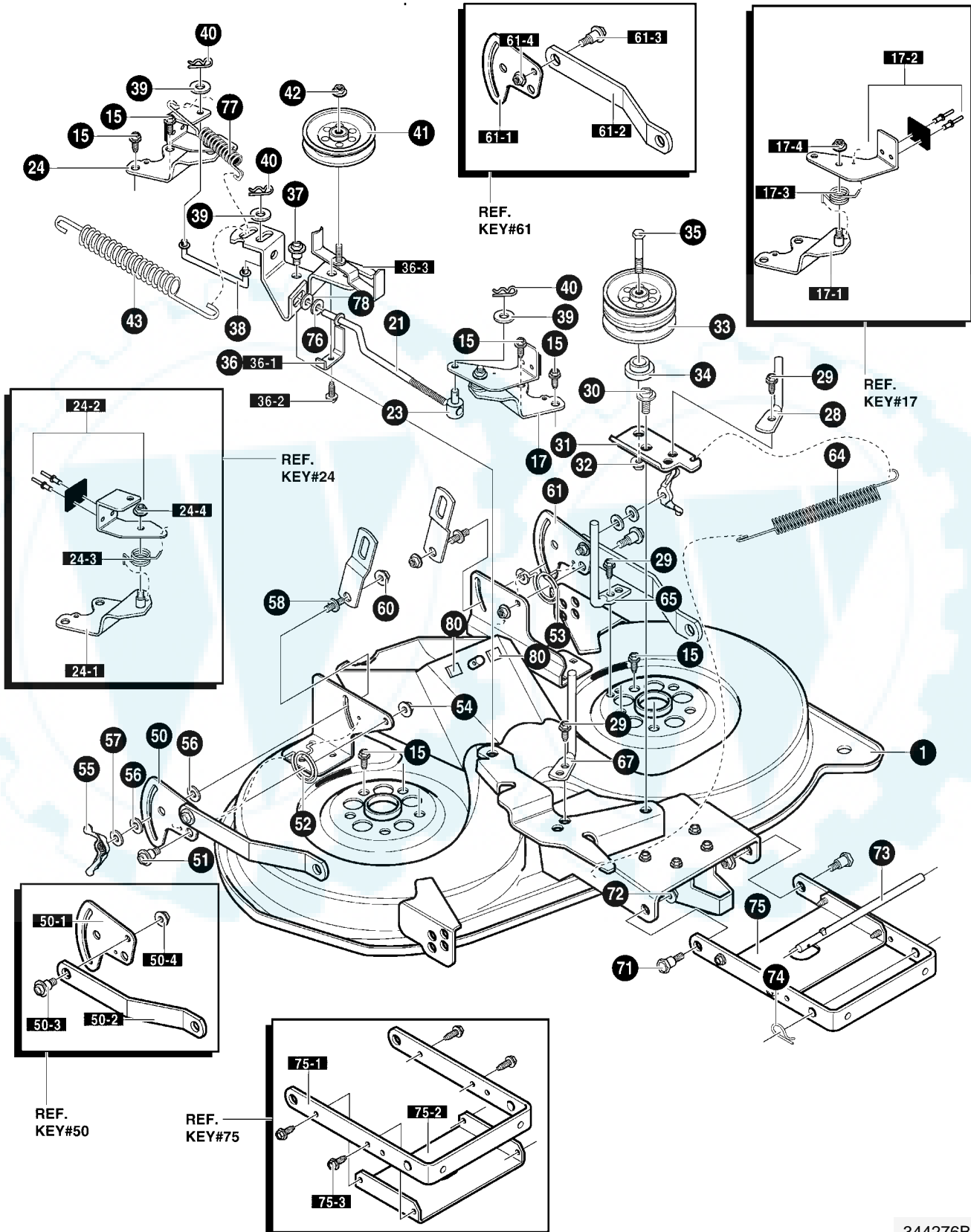
**REPAIR PARTS
ENGINE AND CONTROLS ASSEMBLY**



Key No.	Description	Part No.
1	16.5HP ENGINE	_____
2	BOLT	25X7
4	PIPE, EXHAUST	92855
5	CLAMP ASSEMBLY	92558
9	SCREW	711606
10	STACK PULLEY ASSY.	690456
12	WASHER	120383
13	SCREW	1X169
14	FUEL TANK	94086
15	SCREW	711681
16	FUEL CAP	92317
17	TUBING, GAS	50118
18	CLAMP, FUEL LINE	336890
19	OIL DRAIN VALVE ASSEMBLY	325547
20	CAP, OIL DRAIN VALVE ASSY	327422
21	THROTTLE CONTROL	94361
22	SCREW	711637
30	SCREW	712099
31	HEAT SHIELD ASSY.	94324
31-1	SHEIDL HEAT	95037
31-2	RIVET POP	46763
31-3	BRACKET, HEAT SHIELD RT	92554
31-4	BRACKET, HEAT SHIELD LH	92555
31-5	PLATE, HEAT SHIELD	92552
32	MUFFLER, ROUND	95206
34	MUFFLER ADAPTER	95207
38	SCREW, 1/4-20X.63	711642
39	GASKET, MUFFLER	91309
40	BRACKET, LOCK	92378
41	BOLT, 5/15-18X3.58	712100
42	SCREW, 5/16-18X.625	6X103
46	NUT, 1/4-20	711601
56	WASHER, FLAT	711668

MODEL 40379x68A

REPAIR PARTS BLADE HOUSING ASSEMBLY



344276B

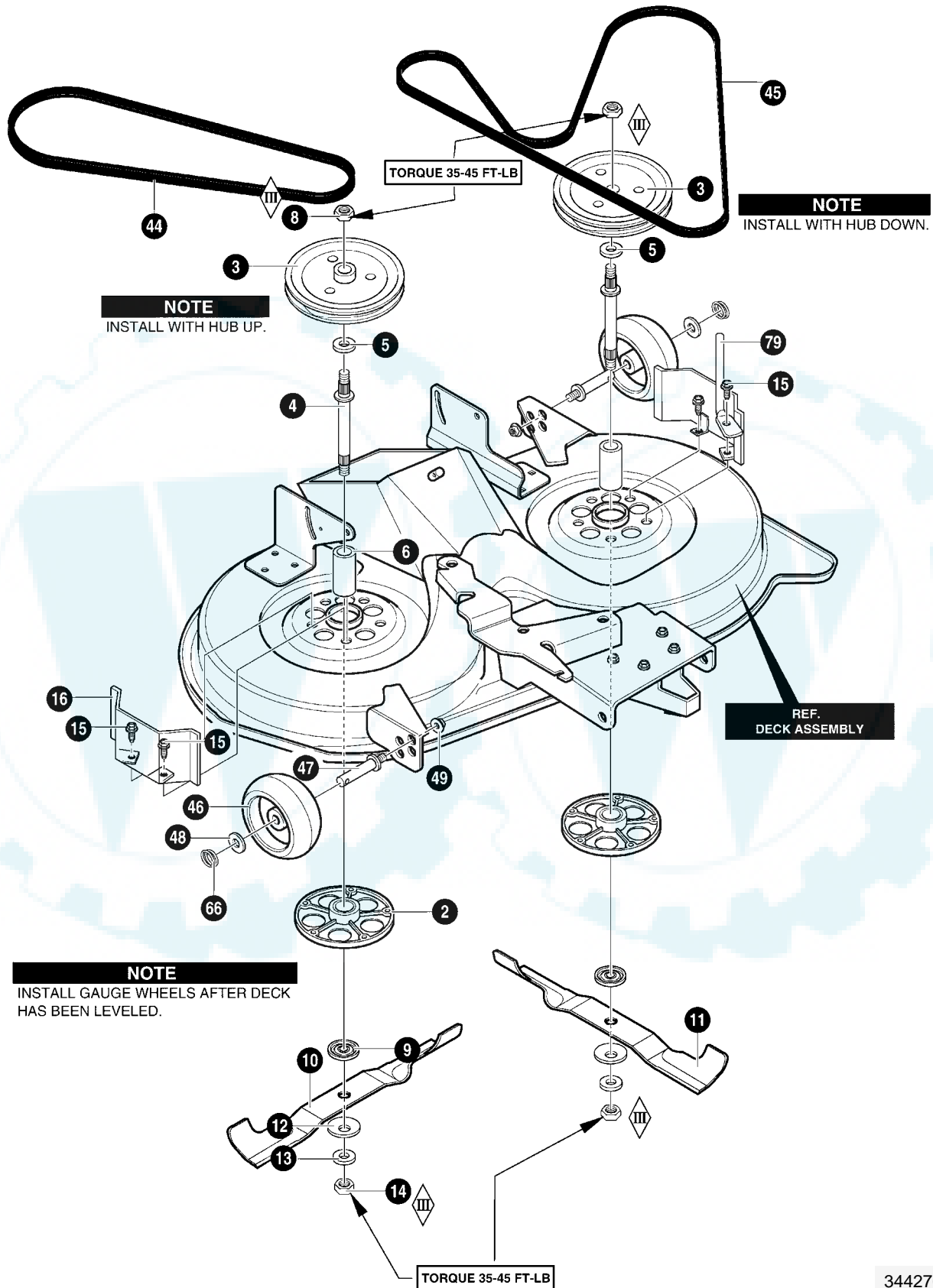
MODEL 40379x68A

REPAIR PARTS BLADE HOUSING ASSEMBLY

Key No.	Description	Part No.	Key No.	Description	Part No.
1	MOWER DECK REBA	690109-853	50-1	PLATE-SUSPENSION	94128
15	SCREW, 3/8-16X1.00	711911	50-2	SUSPENSION BRKT REAR	94055
17	BRAKE ARM ASSEMBLY LH	94665-853	50-3	BOLT, SHOULDER 3/8-16	710095
17-1	BRAKE SUPPORT ASSEMBLY LH	94293	50-4	NUT, 3/8-16	710140
17-2	BRAKE ARM ASSEMBLY LH	94291	51	BOLT, SHOULDER .375	711611
17-3	SPRING, TORSION	710110	52	SPRING, TORSION .68LG RH	710112
17-4	NUT, 5/16-18	710205	53	SPRING, TORSION .68LG LH	710113
21	LINK, BRAKE LH	690021	54	NUT, 3/8-16	711622
23	NUT, ADJUSTING	711591	55	WINGNUT	711600
24	BRAKE ARM ASSEMBLY RH	94664-853	56	PAD, FRICTION	94137
24-1	BRAKE SUPPORT ASSEMBLY RH	94294	57	WASHER	711628
24-2	BRAKE ARM ASSEMBLY RH	94292	58	PIN, HANGER	711595
24-3	SPRING, TORSION	710077	60	NUT, 3/8-16	711622
24-4	NUT, 5/16-18 WDFLLK	710205	61	ASM. PLATE, REAR SUS. BRKT LH	690159-853
28	BELT GUIDE	711912	61-1	PLATE - SUSPENSION	94128
29	SCREW, 5/16-18X.50	780055	61-2	SUSPENSION BRKT REAR	94055
30	BOLT, .50X.75 HHSH 3/8-16	711613	61-3	BOLT, SHOULDER 3/8-16	710095
31	ARM, DOUBLE IDLER	94261-853	61-4	NUT, 3/8-16	710140
32	NUT, 3/8-16	711622	64	SPRING, EXTENSION	710233
33	PULLEY, IDLER DOUBLE VEE	94279	65	GUIDE, BELT	711913
34	SPACER, DECK	94269	67	GUIDE, BELT	690030
35	SCREW, 3/8-16X3.00	711915	71	BOLT, SHOULDER .375	711611
36	IDLER ARM ASSY	94973-853	72	NUT, 3/8-16	711622
36-1	SPRING-BELT GUIDE	94312	73	ZINC ROD, HANGER	95295
36-2	SCREW 1/4-20X.50	710264	74	PIN, HAIR	711676
36-3	IDLER ARM ASSEMBLY	94298	75	SUB. ASM. BRKT & STIFFNER	690058-853
37	BOLT, .50X.75 HHSH 3/8-16	711613	75-1	BRACKET, FRONT SUSPENSION	94058
38	LINK, BRAKE RH	690023	75-2	STIFFENER, DECK	95057
39	WASHER, FLAT	712480	75-3	SCREW, 5/16-18X.75	710079
40	PIN, HAIR	711682	76	WASHER, FLAT	583409
41	PULLEY, V IDLER 4"	690024	77	SPRING, EXTENSION 1.94LG	710658
42	NUT, 3/8-16	711622	78	WASHER, FLAT INSULATE	712480
43	SPRING, EXTENSION	710234	80	PAD, ADHESIVE	318197
50	ASM. PLATE, REAR SUS. BRKT, RH	690158-853			

MODEL 40379x68A


REPAIR PARTS BLADES & BELTS



344276B

MODEL 40379x68A

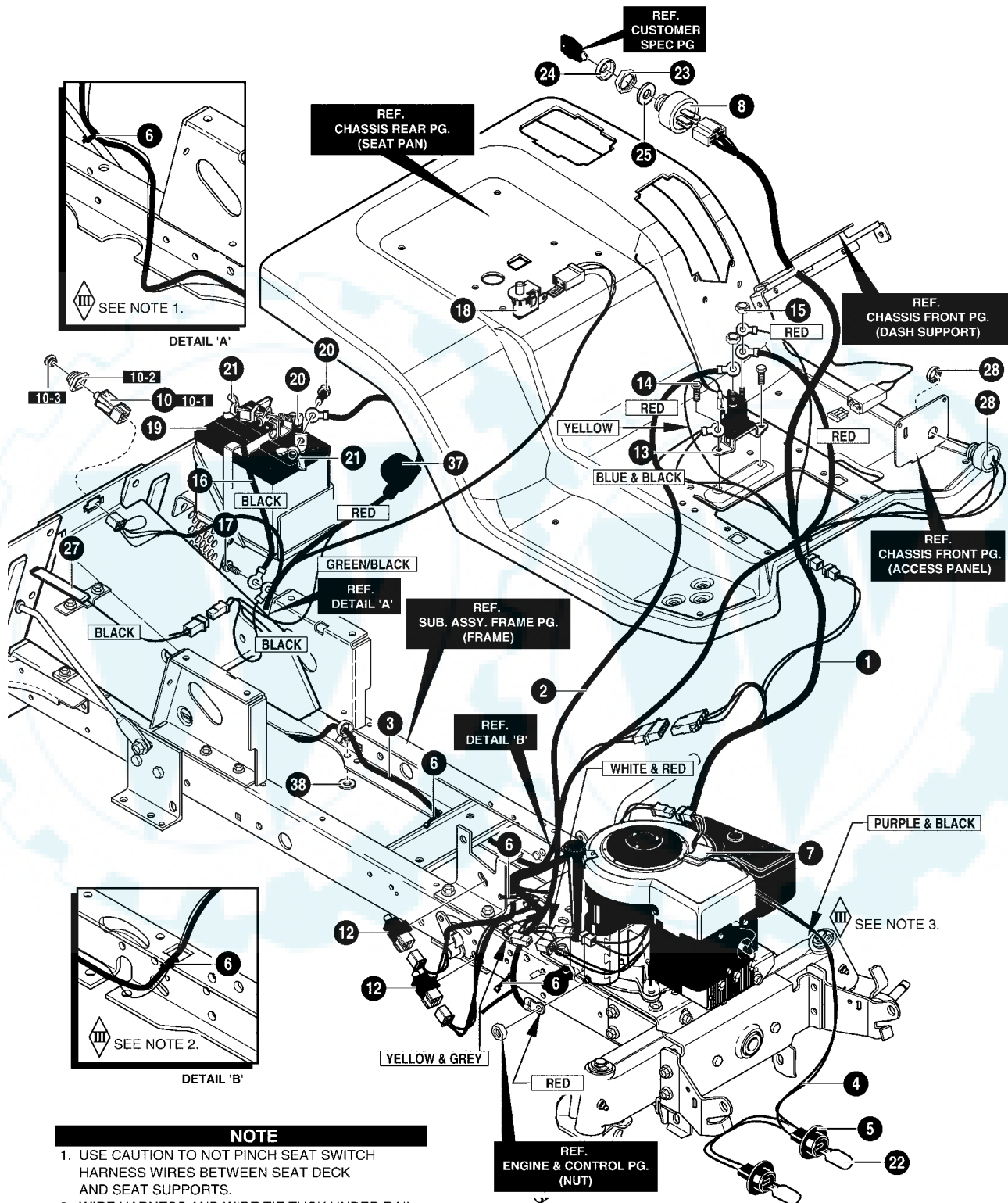
**REPAIR PARTS
BLADES & BELTS**



Key No.	Description	Part No.
2	ASM. JACKSHAFT HOUSING W/VENTS	94305
3	PULLEY, DECK	690020
4	JACKSHAFT	91922
5	WASHER, FLAT	17X165
6	SPACER	91903
8	NUT, 9/16-18 CTRLK	711910
9	ADAPTER, DECK/BLADE	94207
10	BLADE LH	690499
11	BLADE RH	690500
12	WASHER, BELLEVILLE	17X166
13	WASHER, FLAT	17X165
14	NUT, 9/16-18	711910
15	SCREW, 3/8-16X1.00	711911
16	PULLEY COVER	94288-853
44	BELT	710231
45	BELT, V	690071
46	WHEEL, GAUGE	92683
47	BOLT	711746
48	FLATWASHER	711615
49	NUT, 3/8-16	711622
66	CIRCLE PIN	711764
79	ZINC ROD BELT GUIDE	95280

MODEL 40379x68A

REPAIR PARTS
ENGINE AND CONTROL ASSEMBLY

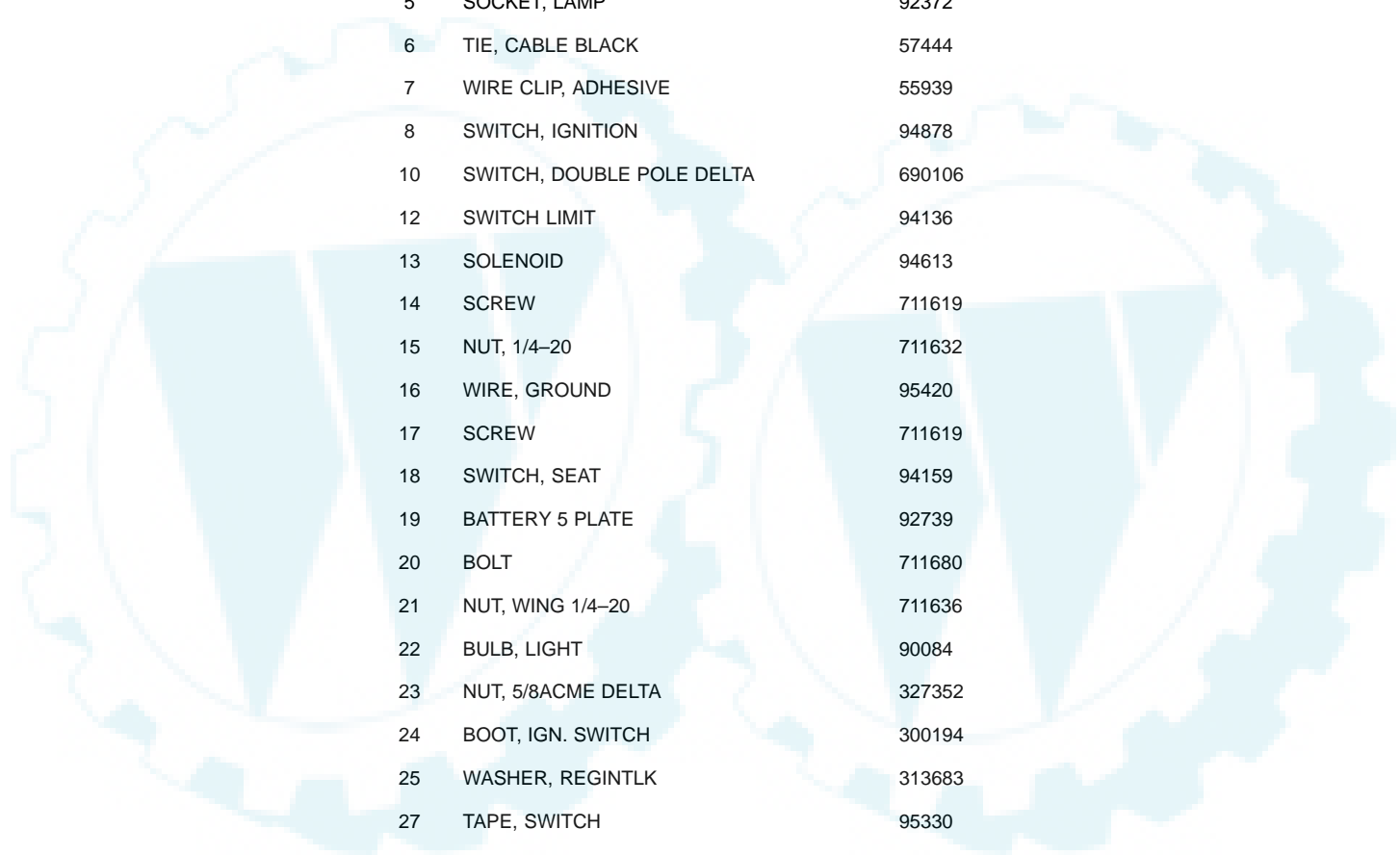


NOTE

1. USE CAUTION TO NOT PINCH SEAT SWITCH HARNESS WIRES BETWEEN SEAT DECK AND SEAT SUPPORTS.
2. WIRE HARNESS AND WIRE TIE TUCK UNDER RAIL.
3. ROUTE HEADLIGHT HARNESS BETWEEN AIR FILTER AND ENGINE COVER. TIE HEADLIGHT HARNESS TO FUEL LINE.

MODEL 40379x68A

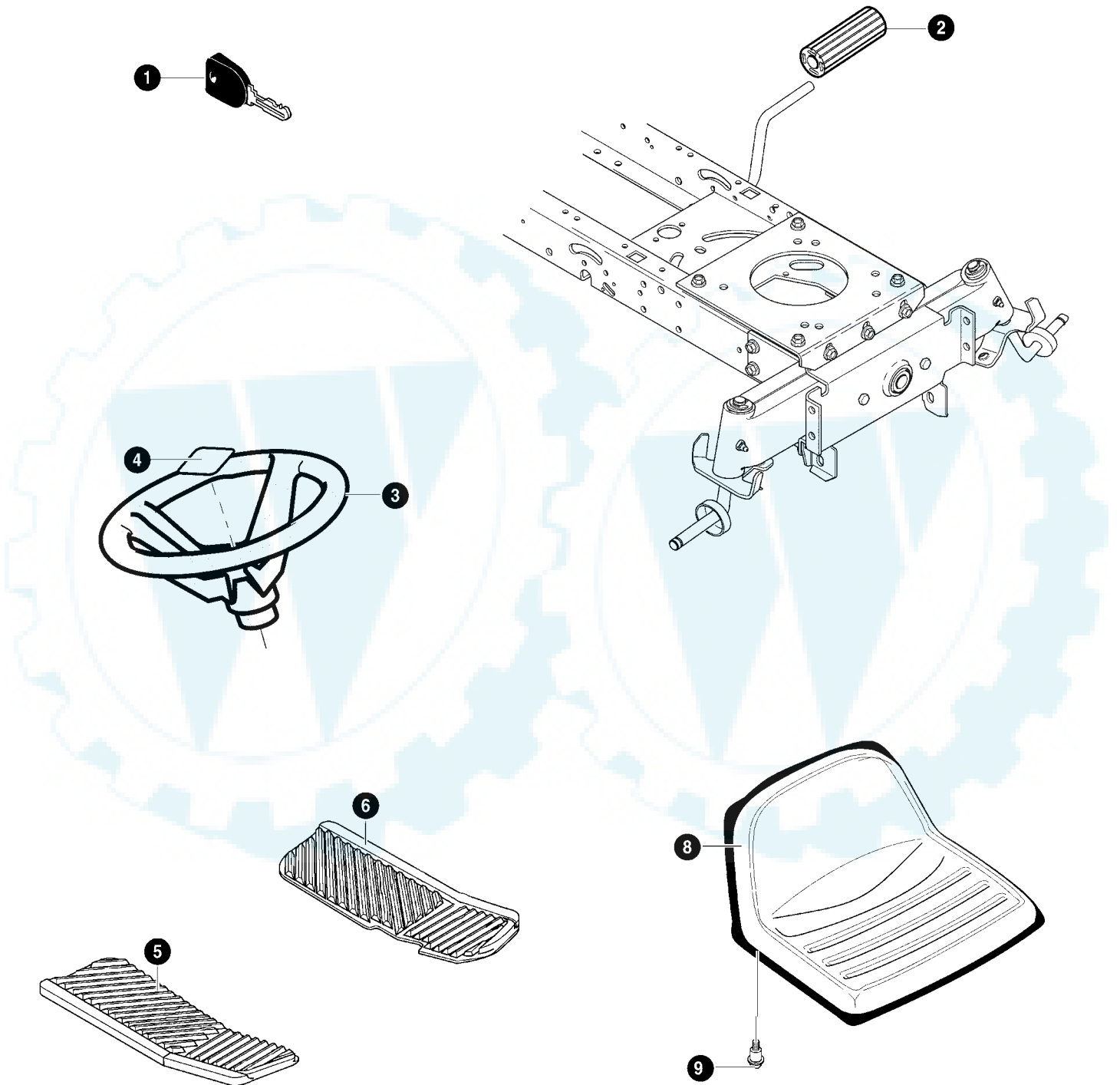
**REPAIR PARTS
ENGINE AND CONTROLS ASSEMBLY**



Key No.	Description	Part No.
1	HARNESS, WIRE	95380
2	WIRE, LEAD SOLENOID TO ST	711579
3	REAR HARNESS	95381
4	WIRE HARNESS FOR HEADLIGHTS	340513
5	SOCKET, LAMP	92372
6	TIE, CABLE BLACK	57444
7	WIRE CLIP, ADHESIVE	55939
8	SWITCH, IGNITION	94878
10	SWITCH, DOUBLE POLE DELTA	690106
12	SWITCH LIMIT	94136
13	SOLENOID	94613
14	SCREW	711619
15	NUT, 1/4-20	711632
16	WIRE, GROUND	95420
17	SCREW	711619
18	SWITCH, SEAT	94159
19	BATTERY 5 PLATE	92739
20	BOLT	711680
21	NUT, WING 1/4-20	711636
22	BULB, LIGHT	90084
23	NUT, 5/8ACME DELTA	327352
24	BOOT, IGN. SWITCH	300194
25	WASHER, REGINTLK	313683
27	TAPE, SWITCH	95330
28	BUZZER, FOR BAG FULL	95391
37	BOOT, BATTERY	690604
38	WASHER, FLAT	711666

MODEL 40379x68A

**REPAIR PARTS
CUSTOMER SPEC ASSEMBLY**



MODEL 40379x68A

**REPAIR PARTS
CUSTOMER SPEC ASSEMBLY**

Key No.	Description	Part No.
1	KEY, IGNITION	327350
2	COVER, PED, BRAKE	21544
3	STEERING WHEEL	95185
4	INSERT, 4-SPOKE	711326
5	FOOTPAD, RH	95409
6	FOOTPAD, LH	95408
8	SEAT, FAUL HI-BACK	94163
9	BOLT, SHOULDER 5/16-18	711740