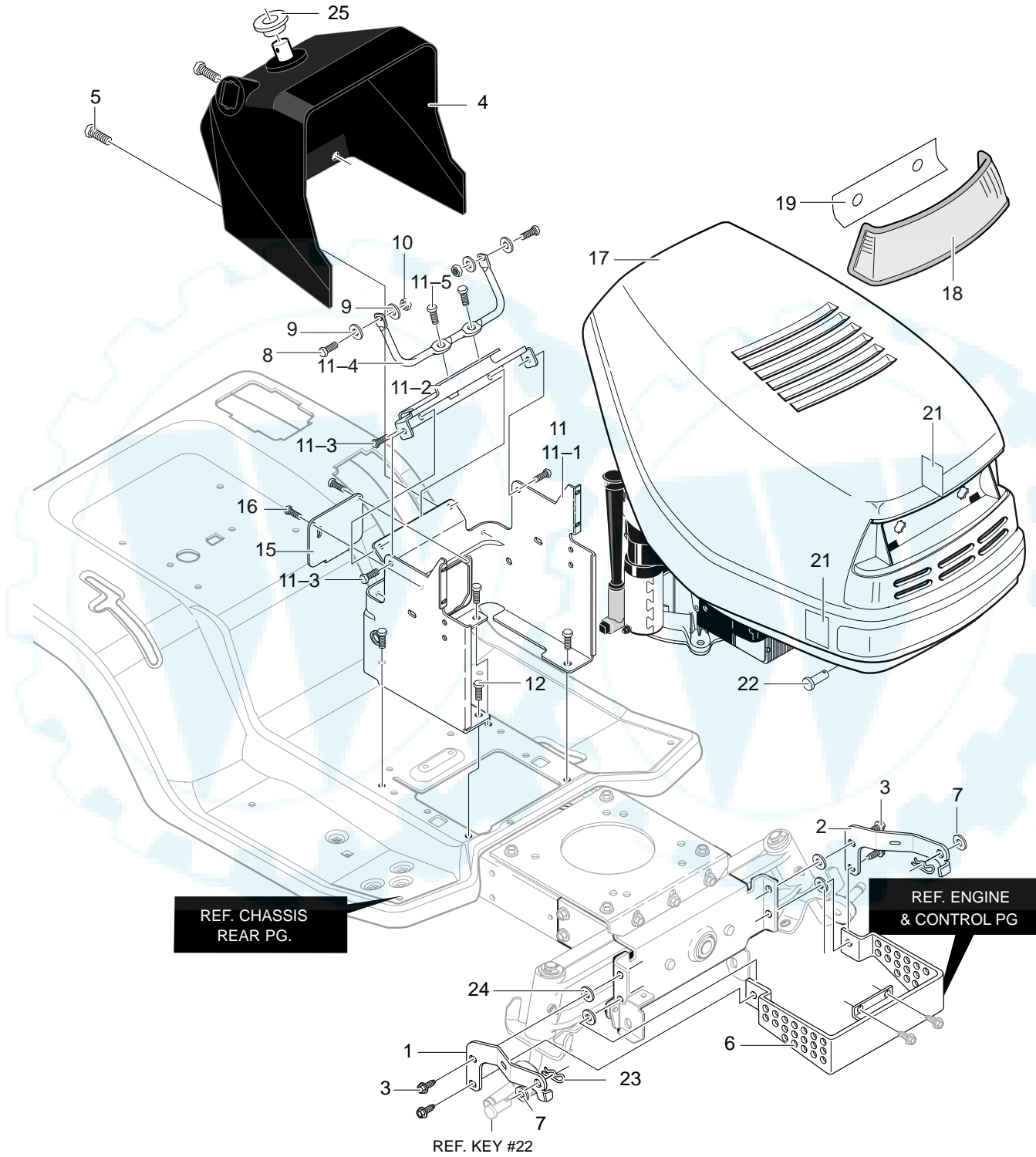


MODEL 403016x58A

REPAIR PARTS CHASSIS & HOOD ASSEMBLY



344695A

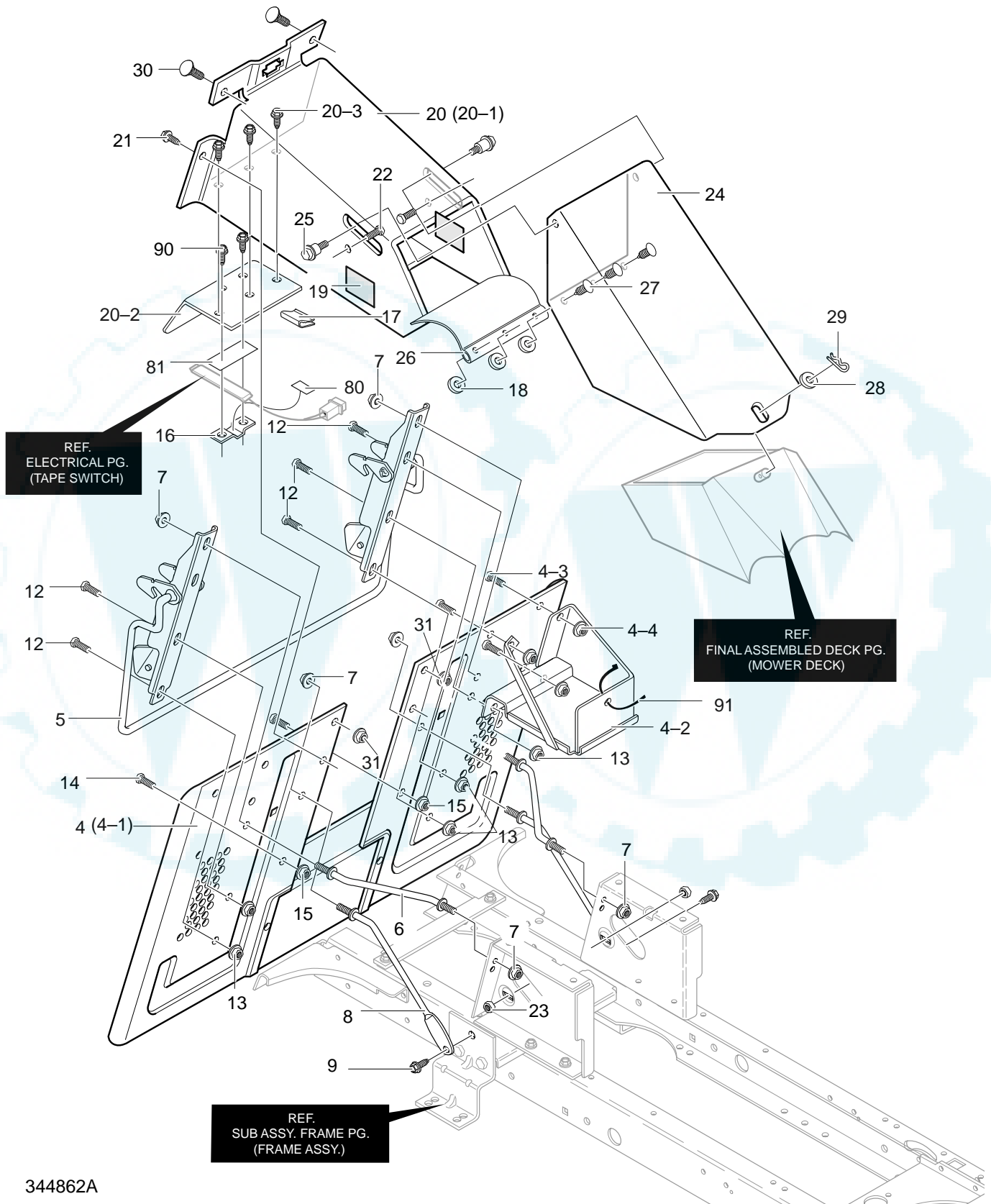
MODEL 403016x58A

**REPAIR PARTS
CHASSIS & HOOD ASSEMBLY**

| Key No. | Description | Part No. | Key No. | Description | Part No. |
|----------------|----------------------------|-----------------|----------------|-------------------------------|-----------------|
| 1 | Bracket, Hood RH | 95432-821 | 11-4 | Rod, Dash Brace | 95406 |
| 2 | Bracket, Hood LH | 95433-821 | 11-5 | Screw, 1/4-20x.50 | 710264 |
| 3 | Screw, 5/16-18x.75 | 711606 | 12 | Screw, 10-24x.50 | 711606 |
| 4 | Dash | 690630 | 15 | Panel, Access | 95270-898 |
| 5 | Screw, 1/4-14x.75 | 711762 | 16 | Screw, 10-24x.50 | 711629 |
| 6 | Heat Shield Guard | 95195-821 | 17 | Hood | 94950 |
| 7 | Washer, Flat Insulate | 712480 | 18 | Lens, Headlamp | 302670 |
| 8 | Screw, 1/4-20x.75 | 302628 | 19 | Foil, Lens | 308492 |
| 9 | Washer, Flat .286x.63x.065 | 71067 | 21 | Foil, Heat Reflector | 301452 |
| 10 | Nut, 1/4-20 Reghexctrlk | 73826 | 22 | Pin, Clevis | 711856 |
| 11 | Assembly, Lower Console | 341569-898 | 23 | Hair Pin | 711682 |
| 11-1 | Tower, Lower Dash | 95425 | 24 | Washer, Plastic | 6711 |
| 11-2 | Support, Steering | 95426 | 25 | Bushing, Steering Shaft | 95404 |
| 11-3 | Screw, 1/4-20x.50 | 710264 | — | Instruction Book & Parts List | F-010712J |

MODEL 403016x58A

REPAIR PARTS REAR CHASSIS ASSEMBLY



344862A

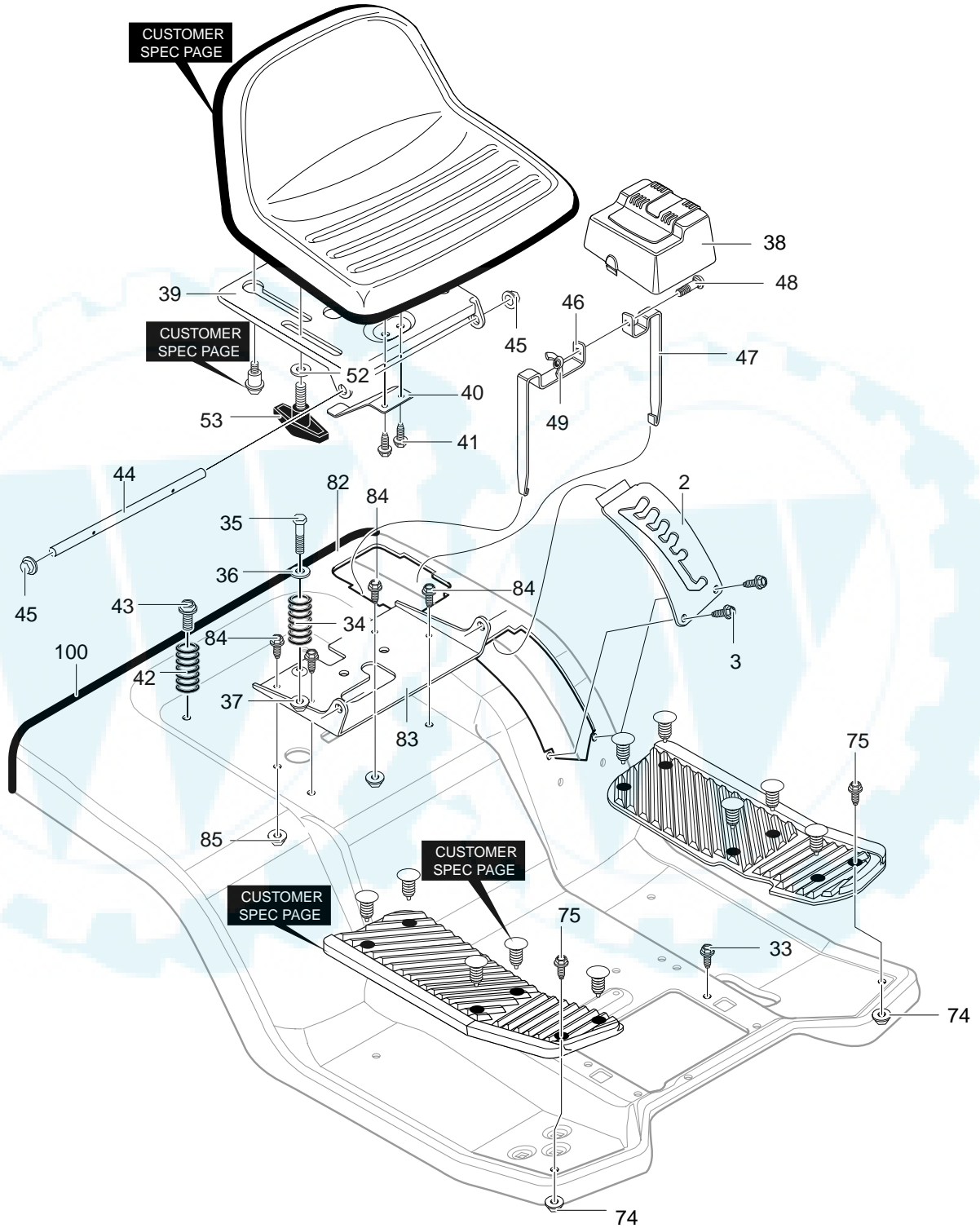
MODEL 403016x58A

REPAIR PARTS REAR CHASSIS ASSEMBLY

| Key No. | Description | Part No. | Key No. | Description | Part No. |
|---------|--------------------------------|-------------|---------|------------------------------|-----------|
| 4 | Assy., Back Plate/Battery | 1001068-821 | 20-1 | Chute Weld Asm. Upper | 94350 |
| 4-1 | Assy. Back Plate Flat | 95162 | 20-2 | Shield, Transaxle | 95367 |
| 4-2 | Battery Tray Assembly | 94563 | 20-3 | Screw, 1/4-20x.63 | 711642 |
| 4-3 | Screw, 5/16-18x.50 | 180073 | 21 | Screw, 5/16-18x.75 | 711606 |
| 4-4 | Nut, 5/16-18 Hex | 45174 | 22 | Bolt, Carriage 5/16-18x.75 | 340720 |
| 5 | Weldment-Latch Lever | 95359-821 | 23 | Nut, 5/16-18 | 710026 |
| 6 | Rod, Brace | 690097 | 24 | Middle Chute Assembly | 94296-821 |
| 7 | Nut, 3/8-16 Hwdfl Whiz-lock | 711906 | 25 | Shoulder Bolt | 009x57 |
| 8 | Rod, Brace | 94231 | 26 | Flap, Chute | 94264 |
| 9 | Screw, 5/16-18x.75 | 711606 | 27 | Fastener, Ratchet | 309235 |
| 12 | Screw, 5/16-18x.75 | 9357 | 28 | Flatwasher | 711617 |
| 13 | Nut, 5/16-18 Hex Whiz | 710026 | 29 | Pin, Hair | 711682 |
| 14 | Screw, 5/16-18x.75 | 711606 | 30 | Bolt, Carriage 5/16-18x.75 | 340720 |
| 15 | Nut, 5/16-18 Hex Whiz | 710026 | 31 | Nut, 5/16-18 | 710026 |
| 16 | Bracket, Flex Switch Mounting | 690245 | 80 | Tape, Double Sided Foam 3/4" | 712009 |
| 17 | Wire Clip, Adhesive | 55939 | 81 | Tape, Double Sided Foam 3/4" | 712009 |
| 18 | Flatwasher | 711666 | 90 | Screw, 1/4-20x.63 | 711642 |
| 19 | Pad, Adhesive | 318197 | 91 | Cable Tie | 57444 |
| 20 | Asm., T/A Shield & Upper Chute | 690102-821 | | | |

MODEL 403016x58A

**REPAIR PARTS
REAR CHASSIS ASSEMBLY**



344862A

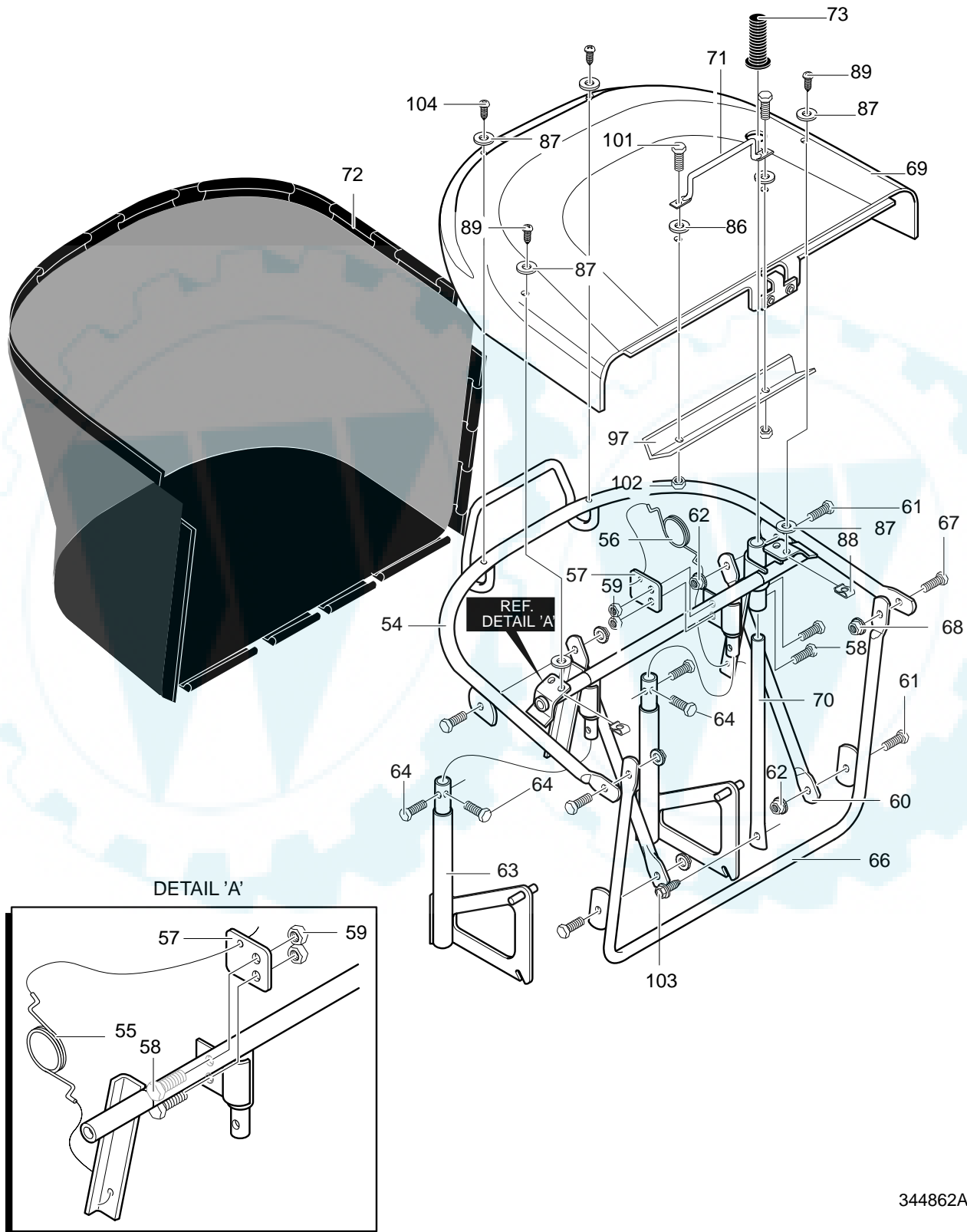
MODEL 403016x58A

**REPAIR PARTS
REAR CHASSIS ASSEMBLY**

| Key No. | Description | Part No. | Key No. | Description | Part No. |
|----------------|------------------------|-----------------|----------------|----------------------------|-----------------|
| 2 | Plate, Lift Detent | 95190-821 | 45 | Nut, Push Cap | 711627 |
| 3 | Screw, #12x.50 | 711741 | 46 | Battery Bracket, LH | 95393-821 |
| 33 | Screw, 5/16-18x.75 | 711606 | 47 | Battery Bracket, RH | 95394-821 |
| 34 | Spring, Compression | 710136-821 | 48 | Bolt, Carriage 1/4-20x.63 | 711680 |
| 35 | Shoulder Bolt 1/4-20 | 711610 | 49 | Nut, Wing 1/4-20 | 711636 |
| 36 | Zinc Washer Cup | 95293 | 52 | Washer, Flat | 711644 |
| 37 | Nut, 1/4-20 Centerlock | 302635 | 53 | Bolt, Wing 5/16-18x.50 | 711747 |
| 38 | Cover, Battery | 94200 | 74 | Nut, 5/16-18 | 710026 |
| 39 | Support, Seat | 94154-898 | 75 | Bolt, Carriage 5/16-18x.75 | 711891 |
| 40 | Spring-Leaf | 94057 | 82 | Seat Deck Pedal | 94204-898 |
| 41 | Screw, 1/4-20x.50 | 711592 | 83 | Bracket, Pivot Seat | 94153-898 |
| 42 | Spring, Compression | 710109-821 | 84 | Screw, 5/16-18x.75 | 711606 |
| 43 | Screw, 5/16-18x.75 | 711606 | 85 | Nut, 5/16-18 | 711634 |
| 44 | Hinge Seat Pivot | 95294 | 100 | Trim 41.00 Inches | 95105 |

MODEL 403016x58A

**REPAIR PARTS
GRASS BAGGER ASSEMBLY**



344862A

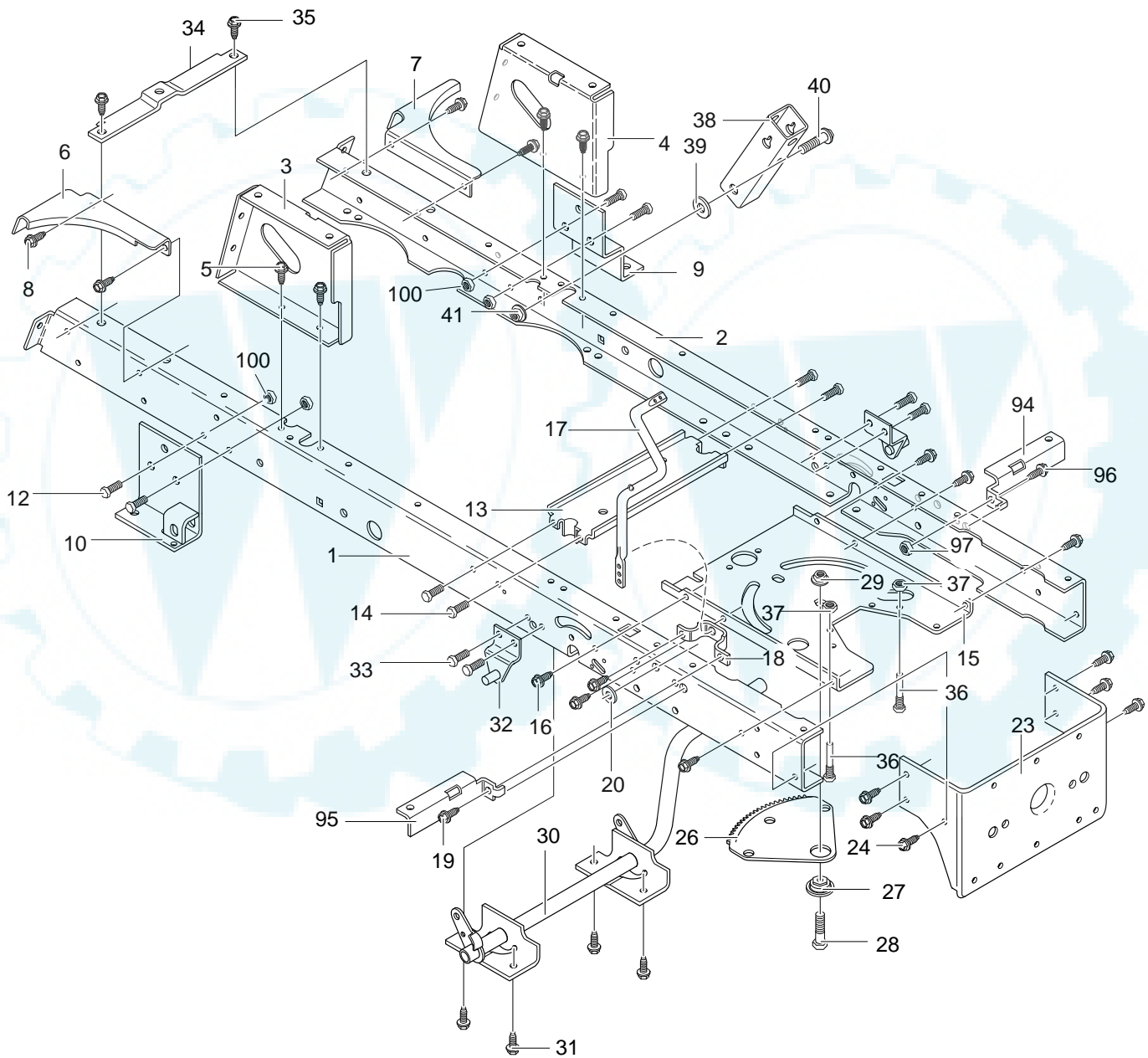
MODEL 403016x58A

**REPAIR PARTS
GRASS BAGGER ASSEMBLY**

| Key No. | Description | Part No. | Key No. | Description | Part No. |
|----------------|-------------------------------|-----------------|----------------|------------------------|-----------------|
| 54 | Asm. Weld Upper Frame | 690044-821 | 69 | Top Collector Assembly | 94908-898 |
| 55 | Spring, Torsion RH | 690003 | 70 | Handle, Dump Collector | 690019 |
| 56 | Spring, Torsion LH | 690004 | 71 | Handle, Reba Collector | 690506-821 |
| 57 | Bracket, Spring Collector | 95339-821 | 72 | Reba Collector Bag | 95389 |
| 58 | Screw, 1/4-20x.50 | 711909 | 73 | Rubber Grip | 94854 |
| 59 | Nut, 1/4-20 | 303008 | 86 | Washer | 712129 |
| 60 | Brace, Frame Collector | 94850-821 | 87 | Washer | 711921 |
| 61 | Screw, 1/4-20x.62 | 711909 | 88 | Nut, 1/4-20 Tinnerman | 578107 |
| 62 | Nut, 1/4-20 | 303008 | 89 | Screw, 1/4-20x.63 | 711674 |
| 63 | Weld Asm. Support Collector | 95343-821 | 97 | Brace, Bagger | 690010-821 |
| 64 | Screw, 1/4-20x1.50 | 711653 | 101 | Screw, 1/4-20x1.50 | 712068 |
| 66 | Weld Asm. Front Frame Collect | 95349-821 | 102 | Nut, 1/4-20 | 711632 |
| 67 | Screw, 1/4-20x.62 | 711909 | 103 | Screw, #12x.50 | 711741 |
| 68 | Nut, 1/4-20 | 711632 | 104 | Screw, #12x.50 | 711741 |

MODEL 403016x58A

REPAIR PARTS FRAME ASSEMBLY



343659B

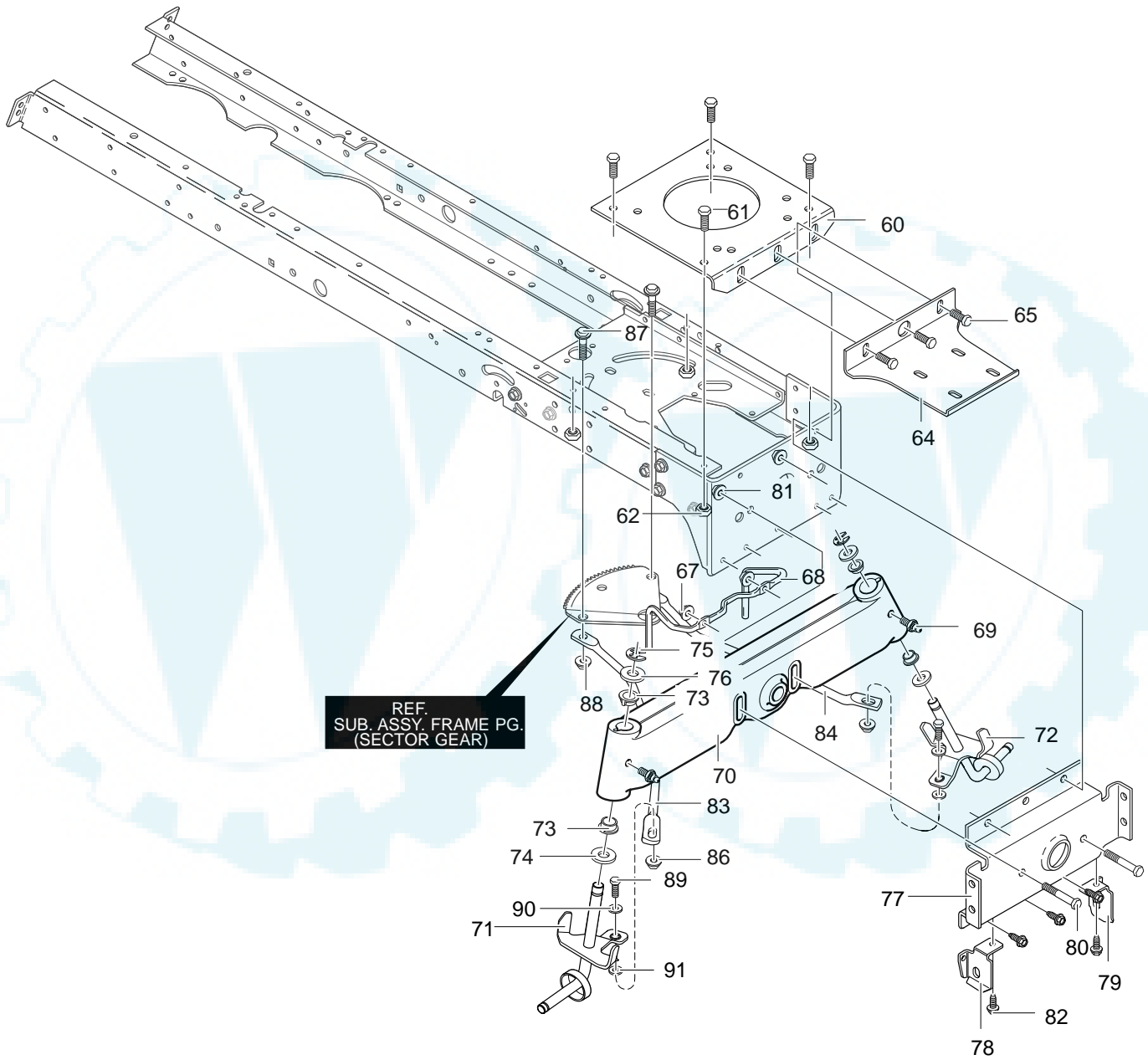
MODEL 403016x58A

REPAIR PARTS FRAME ASSEMBLY

| Key No. | Description | Part No. | Key No. | Description | Part No. |
|---------|----------------------------|----------|---------|--------------------------|----------|
| 1 | Frame, Rail RH | 94564 | 26 | Gear, Sector | 94121 |
| 2 | Frame, Rail LH | 94565 | 27 | Bearing, Sector Gear | 94123 |
| 3 | Support, Seat RH | 94634 | 28 | Screw, 5/16-18x1.00 | 001X84 |
| 4 | Support, Seat LH | 94633 | 29 | Nut, 5/16-18 | 15X113 |
| 5 | Screw, .312-18x.75 | 26X249 | 30 | Clutch/Brake Pedal | 94241 |
| 6 | Brace, BackPlate RH | 94561 | 31 | Screw, .312-18x.75 | 26X249 |
| 7 | Brace, BackPlate LH | 94562 | 32 | Bracket, Suspension Asm. | 94285 |
| 8 | Screw, 5.312-18x.75 | 26X249 | 33 | Screw, .312-18x.75 | 26X249 |
| 9 | Bracket, T/A RH VST LH MST | 94234 | 34 | Brace, Rail | 94566 |
| 10 | Assy., Shift Brace | 95396 | 35 | Screw, .312-18x.75 | 26X249 |
| 12 | Screw, .312-18x.75 | 26X249 | 36 | Zinc Screw Guide | 93349 |
| 13 | Assy., Idler Mount, Front | 94237 | 37 | Nut, 5/16-18 | 015X79 |
| 14 | Screw, .312-18x.75 | 26X249 | 38 | Bracket, Pivot | 94015 |
| 15 | Plate, Steering | 690551 | 39 | Washer, Flat | 845 |
| 16 | Screw, .312-18x.75 | 26X249 | 40 | Bolt, Shoulder 3/8-16 | 009X53 |
| 17 | Crank, PTO | 690394 | 41 | Nut, 3/8-16 | 015X84 |
| 18 | Bracket, Bell Crank | 94005 | 94 | Bracket, Seat Deck LH | 690036 |
| 19 | Screw, .312-18x.75 | 26X249 | 95 | Bracket, Seat Deck RH | 690035 |
| 20 | Washer, Flat | 120395 | 96 | Screw, .312-18x.75 | 26X249 |
| 23 | Bracket, Hanger Rear | 94013 | 97 | Nut, 5/16-18 | 015X79 |
| 24 | Screw, .312-18x.75 | 26X249 | 100 | Nut, 5/16-18 | 015X88 |

MODEL 403016x58A

**REPAIR PARTS
FRAME ASSEMBLY**



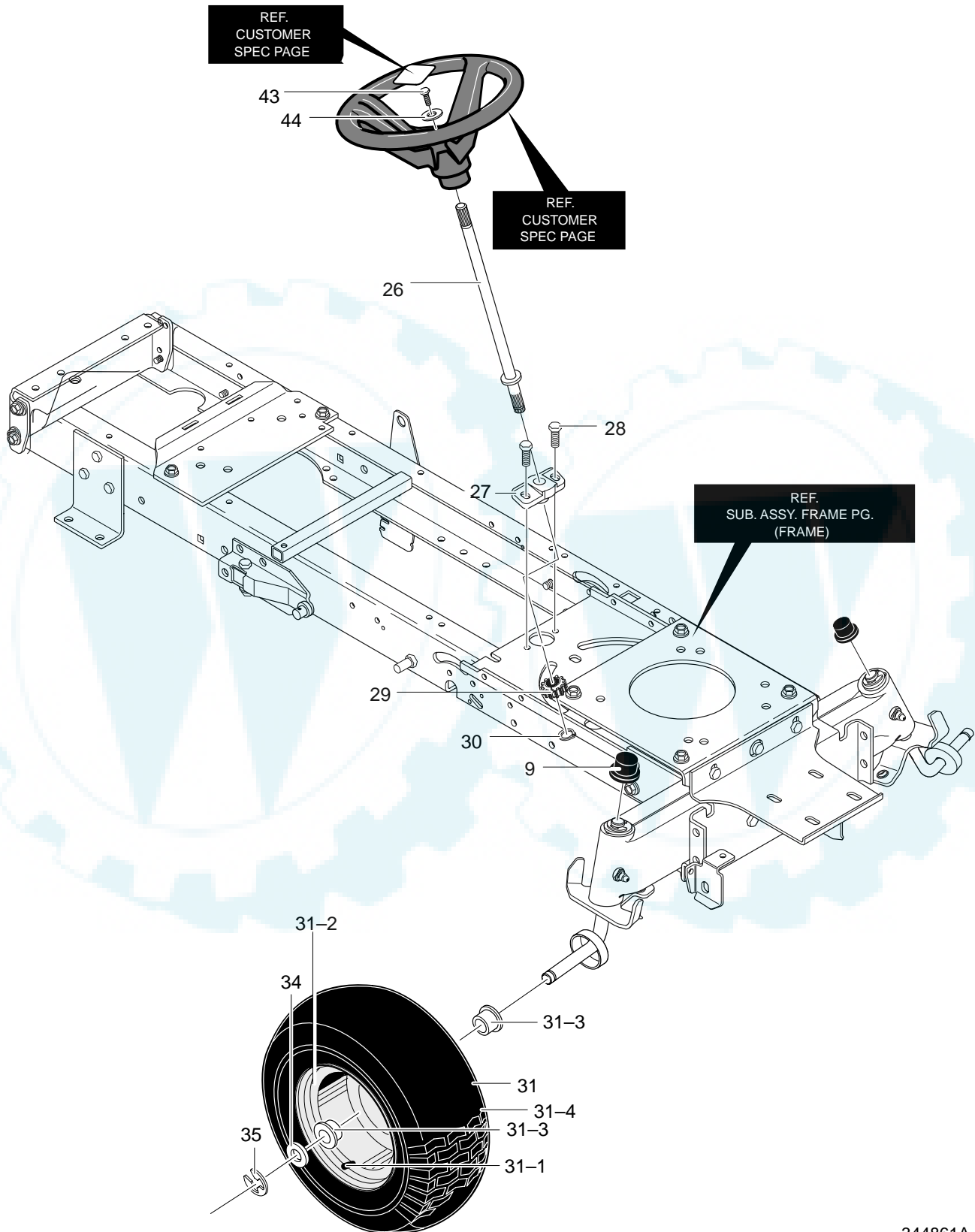
MODEL 403016x58A

**REPAIR PARTS
FRAME ASSEMBLY**

| Key No. | Description | Part No. | Key No. | Description | Part No. |
|----------------|-------------------------|-----------------|----------------|---------------------|-----------------|
| 60 | Engine Plate | 94006 | 77 | Hanger, Axle | 94007 |
| 61 | Screw, .312-18x.75 | 26X249 | 78 | Hanger, Deck RH | 690199 |
| 62 | Nut, 5/16-18 | 015X88 | 79 | Hanger, Deck LH | 690198 |
| 64 | Bracket, Muffler Mount | 94901 | 80 | Screw, 5/16-18x3.00 | 180113 |
| 65 | Screw, .312-18x.75 | 26X249 | 81 | Nut, 5/16-18 | 015X88 |
| 67 | Nut, 5/16-18 | 45174 | 82 | Screw, .312-18x.75 | 26X249 |
| 68 | Guide-Stack Pulley Belt | 94310 | 83 | Drag Link, RH | 95328 |
| 69 | Zerk, Grease | 706 | 84 | Drag Link, LH | 95329 |
| 70 | Axle, Cast Machined | 95405 | 86 | Nut, 3/8-16 | 015X84 |
| 71 | Spindle, Long RH | 95182 | 87 | Shoulder Bolt | 9X57 |
| 72 | Spindle, Long LH | 95183 | 88 | Nut, 3/8-16 | 015X84 |
| 73 | Bearing, Spindle | 92527 | 89 | Screw, 3/8-16x1.50 | 01X111 |
| 74 | Washer, .766IDx1.62ID | 17X113 | 90 | Flatwasher | 17X104 |
| 75 | E-Ring | 0011X3 | 91 | Flatwasher | 017X53 |
| 76 | Washer, Flat | 17X195 | | | |

MODEL 403016x58A

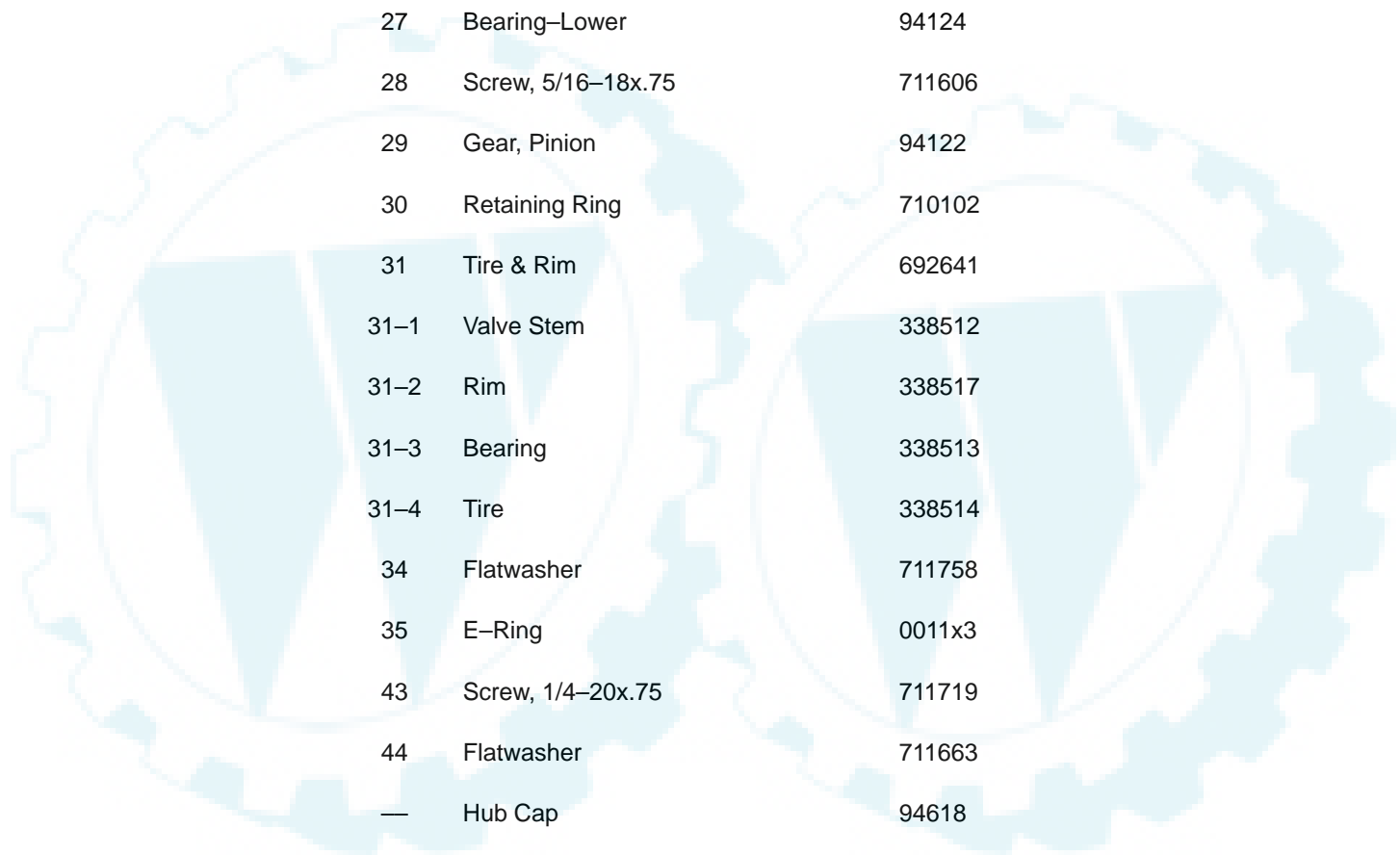
REPAIR PARTS STEERING



344861A

MODEL 403016x58A

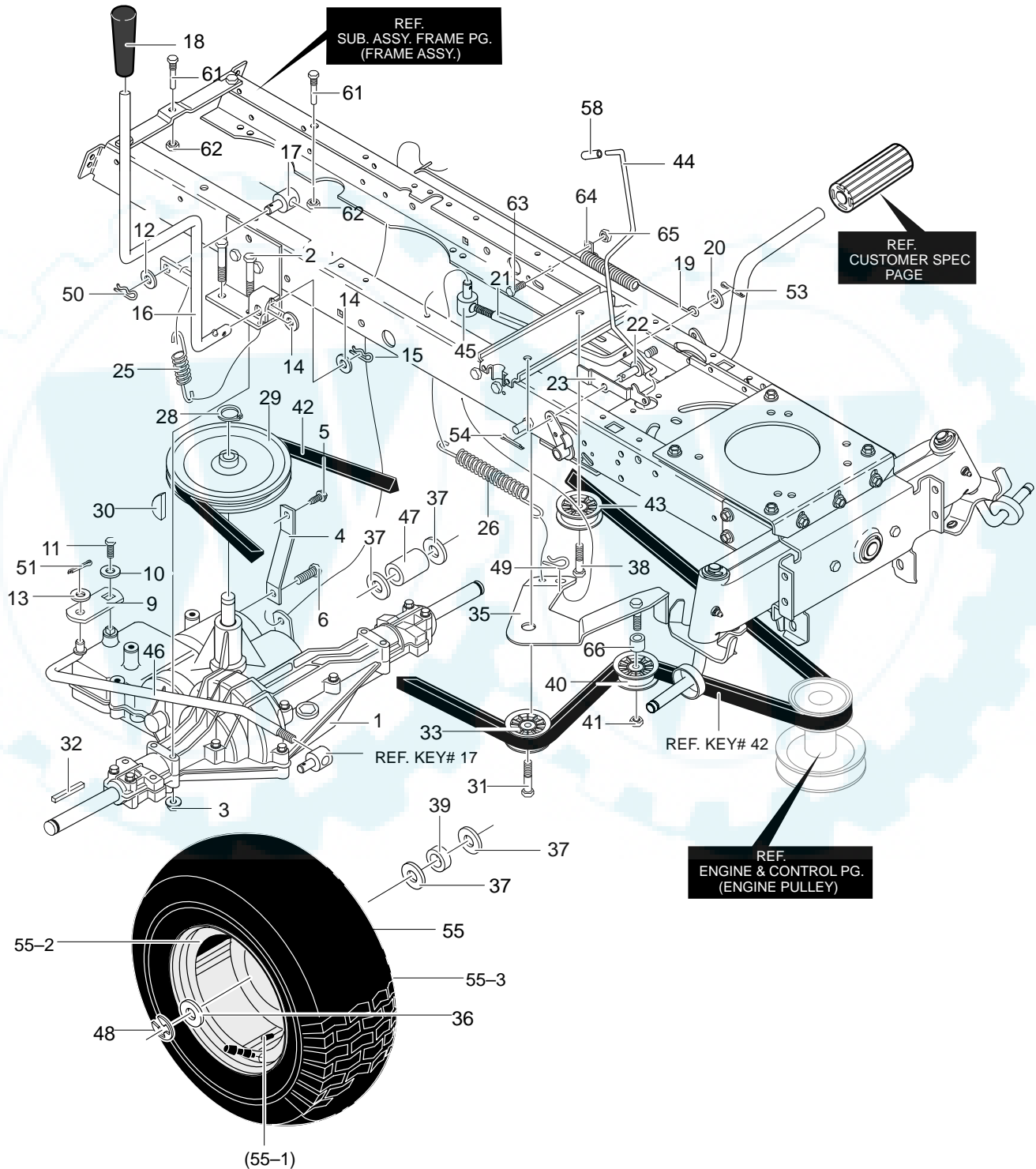
**REPAIR PARTS
STEERING**



| Key No. | Description | Part No. |
|----------------|--------------------|-----------------|
| 9 | Dust Hub Cap | 94618 |
| 26 | Shaft, Steering | 94520 |
| 27 | Bearing—Lower | 94124 |
| 28 | Screw, 5/16—18x.75 | 711606 |
| 29 | Gear, Pinion | 94122 |
| 30 | Retaining Ring | 710102 |
| 31 | Tire & Rim | 692641 |
| 31-1 | Valve Stem | 338512 |
| 31-2 | Rim | 338517 |
| 31-3 | Bearing | 338513 |
| 31-4 | Tire | 338514 |
| 34 | Flatwasher | 711758 |
| 35 | E-Ring | 0011x3 |
| 43 | Screw, 1/4—20x.75 | 711719 |
| 44 | Flatwasher | 711663 |
| — | Hub Cap | 94618 |

MODEL 403016x58A

REPAIR PARTS MOTION DRIVE



344951B

MODEL 403016x58A

REPAIR PARTS MOTION DRIVE

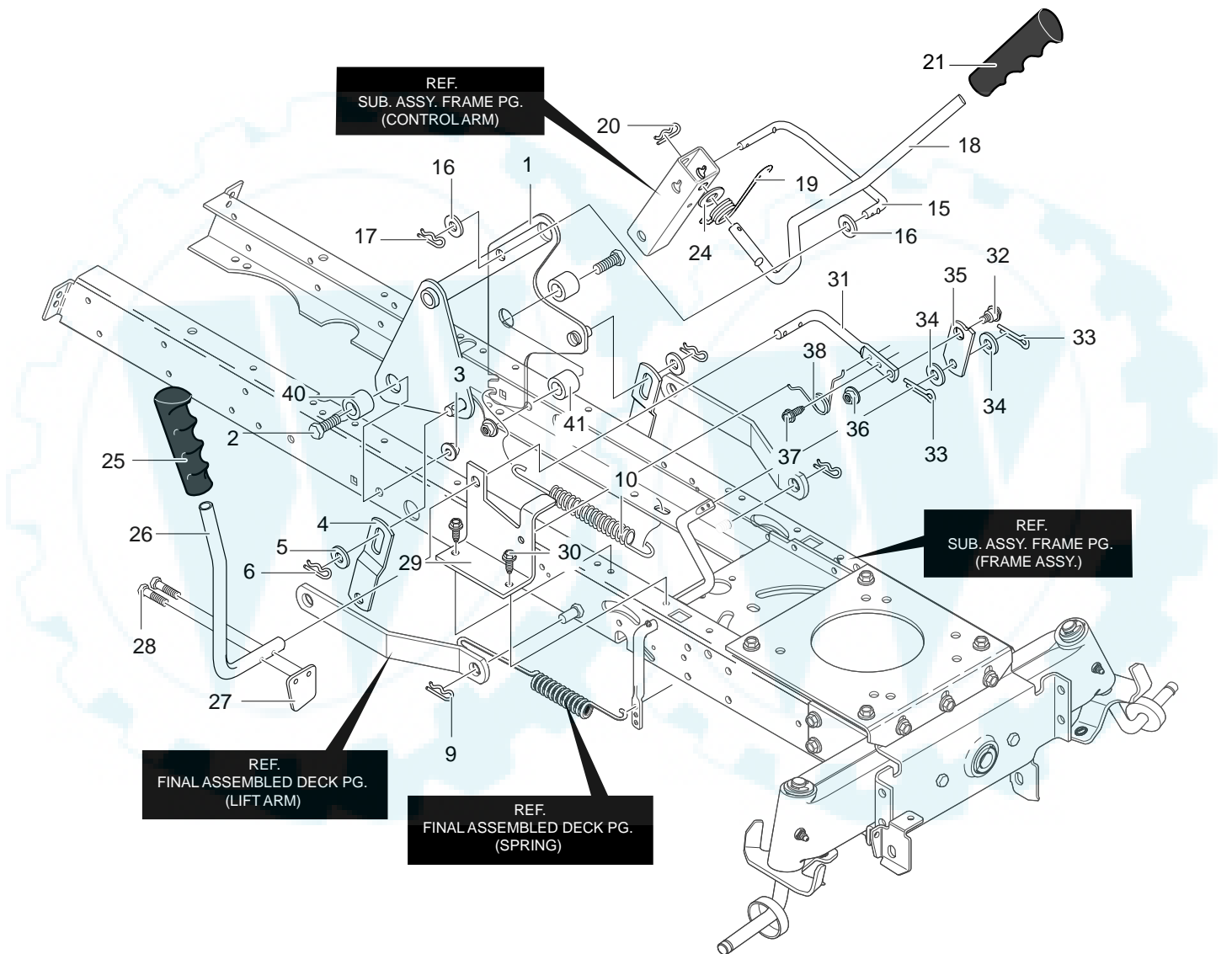
| Key No. | Description | Part No. | Key No. | Description | Part No. |
|---------|--------------------------|-----------|---------|------------------------|----------|
| 1 | Transaxle, MST206 | * | 36 | Washer, Flat | 711758 |
| 2 | Screw, 5/16–18X2.50 | 711669 | 37 | Washer, Flat | 711904 |
| 3 | Nut, 5/16–18 | 711634 | 38 | Screw, 3/8–16x1.25 | 711905 |
| 4 | Bracket, Stabilizer | 94620–821 | 39 | Spacer | 95418 |
| 5 | Screw, 5/16–18x.75 | 711606 | 40 | Pulley, Idler | 690409 |
| 6 | Screw, 5/16–18x.75 | 710268 | 41 | Nut, 3/8–16 | 711920 |
| 9 | Bracket, Shift | 94227 | 42 | Belt, V 4L 114.12 | 94608 |
| 10 | Washer, Transaxle | 711895 | 43 | Pulley, Idler | 1001065 |
| 11 | Screw, 1/4–28x.750 | 01x145 | 44 | Park Brake control Rod | 690046 |
| 12 | Washer, Flat | 583409 | 45 | Nut, 5/16–18 Adjusting | 711898 |
| 13 | Washer | 71072 | 46 | Rod, Shift Link | 690027 |
| 14 | Flatwasher | 711894 | 47 | Spacer | 95419 |
| 15 | Hair Pin | 711899 | 48 | E-Ring | 0011x3 |
| 16 | Shift Lever | 690087 | 49 | Pin, Hair | 711659 |
| 17 | Nut, Adjust | 711591 | 50 | Pin, Hair | 711682 |
| 18 | Grip | 94929 | 51 | Pin, Cotter | 71081 |
| 19 | Spring, Brake | 95424 | 53 | Pin, Cotter | 71081 |
| 20 | Washer, Flat | 711921 | 54 | Pin, Cotter | 71081 |
| 21 | Rod, Clutch | 690016 | 55 | Tire & Rim | 692511 |
| 22 | Pin, Clevis | 711903 | 55-1 | Valve Stem | 338512 |
| 23 | Latch, Park Brake | 95290 | 55-2 | Rim | 338524 |
| 25 | Spring | 782223 | 55-3 | Tire | 338525 |
| 26 | Spring, Tension | 711522 | 58 | Cap, Dump | 335980 |
| 28 | Ring, Ret | 0011x7 | 61 | Screw Guide | 20619 |
| 29 | Pulley, 9.0 ODV4L | 94571 | 62 | Nut, 1/4–20 | 710026 |
| 30 | Key, Hi Pro 606 | 50795 | 63 | Screw, 1/4–20x.50 | 313686 |
| 31 | Screw, 3/8–16x1.25 | 711905 | 64 | Retainer | 711742 |
| 32 | Key, Square | 52928 | 65 | Nut, 1/4–20 | 780285 |
| 33 | Pulley, Idler | 1001065 | 66 | Spacer 1/2 to 17MM | 690369 |
| 35 | Assy, Idler Arm Traction | 94238–821 | — | Hubcap | 94618 |

* Contact your nearest transaxle dealer for parts and service.

For information on Replacement Parts see the Central Parts Distributor in your area.

MODEL 403016x58A

REPAIR PARTS
MOWER SUSPENSION ASSEMBLY



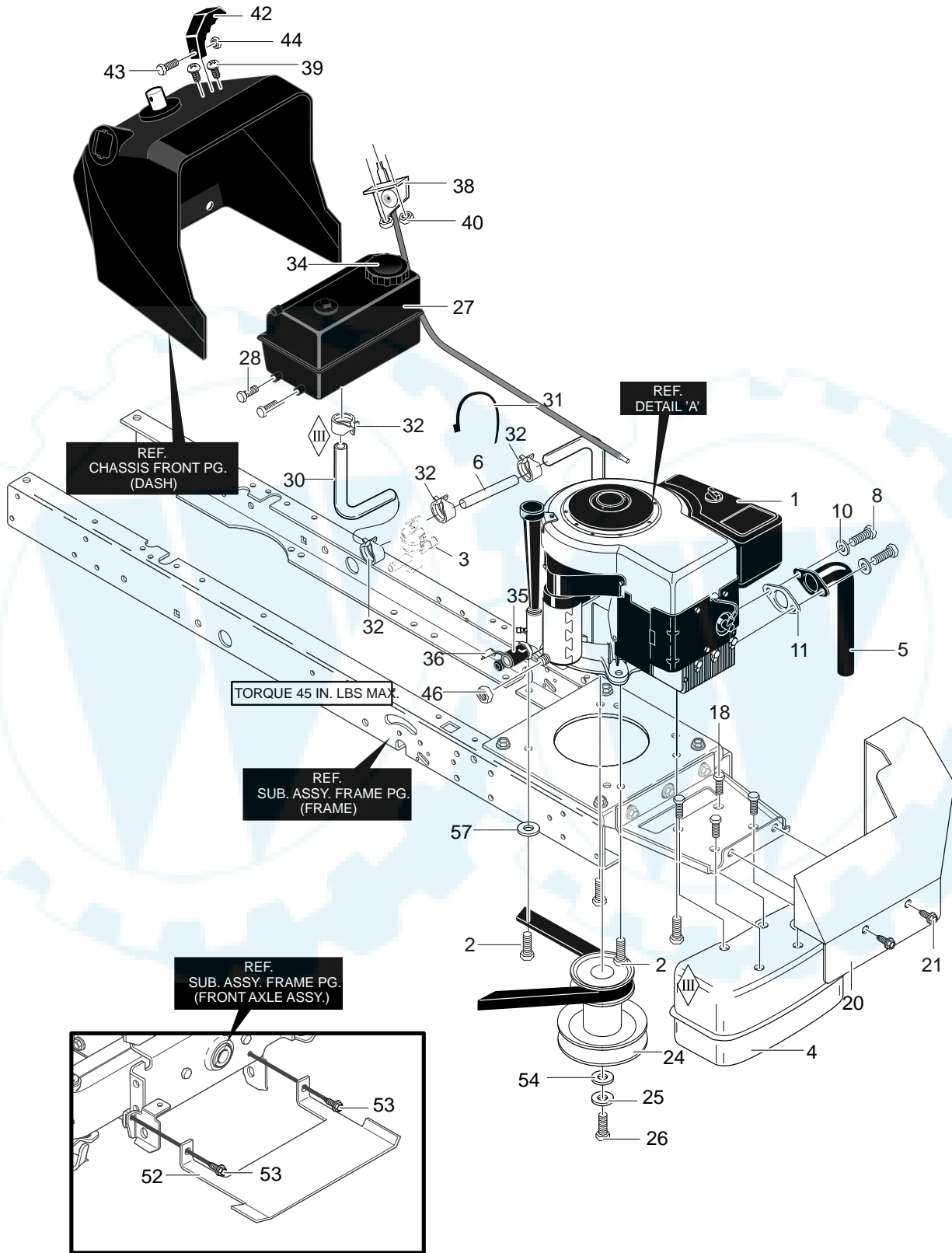
MODEL 403016x58A

**REPAIR PARTS
MOWER SUSPENSION ASSEMBLY**

| Key No. | Description | Part No. | Key No. | Description | Part No. |
|----------------|--------------------|-----------------|----------------|-----------------------|-----------------|
| 1 | Assembly, Lift Arm | 95233-821 | 25 | Grip | 94928 |
| 2 | Screw, 1/2-13x1.50 | 711917 | 26 | PTO Handle | 690126 |
| 3 | Nut, 1/2-13 Lock | 711918 | 27 | Paddle, Switch | 95284 |
| 4 | Bracket, Lift Link | 94262-821 | 28 | Screw, Thread Form | 711621 |
| 5 | Washer, Flat | 711617 | 29 | Bracket, PTO | 94018-821 |
| 6 | Hair Pin | 711676 | 30 | Screw, 5/16-18x.50 | 780055 |
| 9 | Hair Pin | 711676 | 31 | Lever, PTO | 95283 |
| 10 | Spring, Extension | 710235 | 32 | Bolt, Shoulder 3/8-16 | 711613 |
| 15 | Link-Lift Handle | 711981 | 33 | Hair Pin | 711659 |
| 16 | Washer, Flat | 711617 | 34 | Washer, Flat | 711615 |
| 17 | Hair Pin | 711676 | 35 | Link PTO | 95282 |
| 18 | Handle, Lift | 690532 | 36 | Nut, 3/8-16 | 711622 |
| 19 | Torsion Spring | 710111 | 37 | Screw 5/16-18x.75 | 711606 |
| 20 | Hair Pin | 711676 | 38 | Torsion Spring | 710141 |
| 21 | Grip, Lift | 94929 | 40 | Spacer | 94309 |
| 24 | Washer, Flat | 711616 | 41 | Spacer, Sleeve | 56150 |

MODEL 403016x58A

REPAIR PARTS ENGINE AND CONTROL ASSEMBLY



344947B

MODEL 403016x58A

**REPAIR PARTS
ENGINE AND CONTROL ASSEMBLY**

| Key No. | Description | Part No. | Key No. | Description | Part No. |
|----------------|----------------------------|-----------------|----------------|--------------------------|-----------------|
| 1 | 12.5HP (See Engine Manual) | Engine | 30 | Gas line 8 Inches | 48252 |
| — | Clip, Speed | 94951 | 31 | Cable Tie | 57444 |
| 2 | Engine Bolt | 0025x7 | 32 | Clamp, Fuel Clamp | 336890 |
| 3 | Fuel Shut Off Valve | 690494 | 34 | Gas Cap | 12501 |
| 4 | Muffler, Super Low | 94902 | 35 | Oil Drain Valve Assembly | 325547 |
| 5 | Exhaust Pipe | 94900 | 36 | Cap, Oil Drain Valve | 327422 |
| 6 | Gas Line Tubing 3 Inches | 309306 | 38 | Throttle Control | 95370 |
| 8 | Screw, 5/16–18x.75 | 313676 | 39 | Screw, 10–24x.63 | 711755 |
| 10 | Washer, Hvsptlk | 313679 | 40 | Nut, #10–24 | 711754 |
| 11 | Gasket, Muffler | 91309 | 42 | Knob, Throttle Control | 94931 |
| 18 | Screw, 1/4–20x.63 | 711642 | 43 | Screw, #8–32 | 711750 |
| 20 | Heat Shield Assembly | 94904–821 | 44 | Nut, #8–32 | 711748 |
| 21 | Screw, 5/16–18x.75 | 711606 | 46 | Nut, 1/4–20 | 711601 |
| 24 | Stack Pulley | 690456 | 52 | Shield, Anti-Dehydration | 95192–821 |
| 25 | Washer, Regsptlk | 120383 | 53 | Screw, 5/16–18x.75 | 711606 |
| 26 | Screw, 7/16–20 | 1X169 | 54 | Washer, Flat | 17x170 |
| 27 | Tank, Fuel 1.5 Gal. | 309853 | 57 | Washer, Exlk | 711668 |
| 28 | Screw, 15TPIX | 711681 | | | |

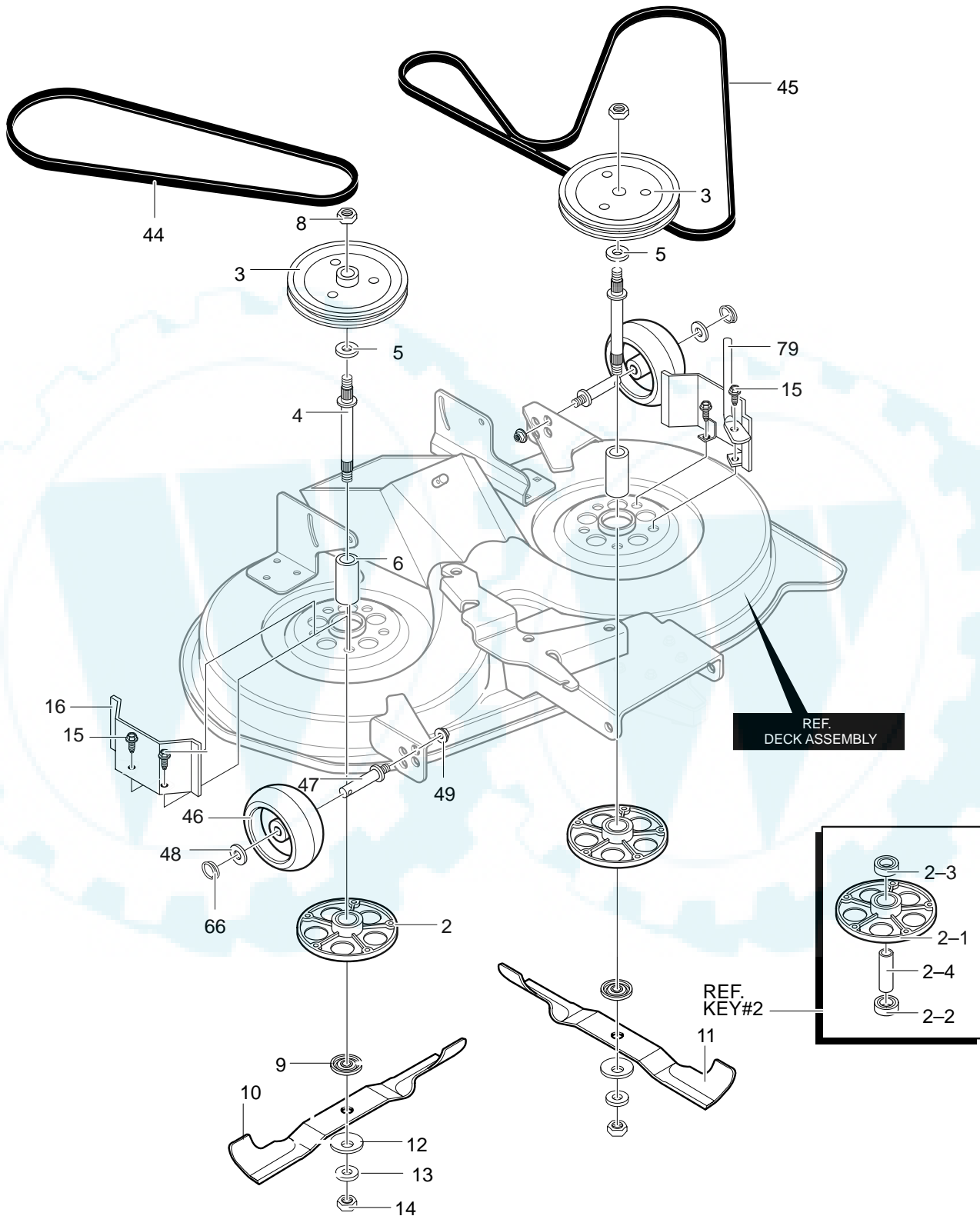
MODEL 403016x58A

REPAIR PARTS DECK ASSEMBLY

| Key No. | Description | Part No. | Key No. | Description | Part No. |
|---------|-----------------------------|------------|---------|---------------------------------|------------|
| 1 | Housing, 40" Deck | 690109-821 | 50-1 | Plate-Suspension | 94128 |
| 17 | Brake Arm Assembly LH | 94665-821 | 50-2 | Suspension Bracket Rear | 94055 |
| 17-1 | Brake Support Assembly LH | 94293 | 50-3 | Bolt, Shoulder | 710095 |
| 17-2 | Brake Arm | 94291 | 50-4 | Nut, 3/8-16 | 710140 |
| 17-3 | Spring, Torsion | 710110 | 51 | Bolt, Shoulder | 711611 |
| 17-4 | Nut, 5/16-18 | 710205 | 52 | Spring, Torsion RH | 710112 |
| 21 | Link, Brake LH | 690021 | 53 | Spring, Torsion LH | 710113 |
| 23 | Nut, Adjusting | 711591 | 54 | Nut, 3/8-16 | 711622 |
| 24 | Brake Arm Assembly RH | 94664-821 | 55 | Wingnut, 5/16-18 | 711600 |
| 24-1 | Brake Support RH | 94294 | 56 | Pad, Friction | 94137 |
| 24-2 | Brake Arm RH | 94292 | 57 | Washer | 711628 |
| 24-3 | Spring, Torsion | 710077 | 58 | Pin, Hanger | 711595 |
| 24-4 | Nut, 5/16-18 | 710205 | 60 | Nut, 3/8-16 | 711622 |
| 28 | Belt Guide | 711912 | 61 | Assy., Plate Rear Sus Brkt., LH | 690159-821 |
| 29 | Screw, 5/16-18x.50 | 780055 | 61-1 | Plate-Suspension | 94128 |
| 30 | Bolt, Shoulder | 711613 | 61-2 | Suspension Bracket, Rear | 94055 |
| 31 | Arm, Double Idler | 94261-821 | 61-3 | Bolt, Shoulder | 710095 |
| 32 | Nut, 3/8-16 | 711622 | 61-4 | Nut, 3/8-16 | 710140 |
| 33 | Pulley, Idler Double Vee | 94279 | 64 | Spring, Extension | 710233 |
| 34 | Spacer | 94269 | 65 | Belt Guide | 711913 |
| 35 | Screw, 3/8-16x3.00 | 711915 | 67 | Belt Guide | 690030 |
| 36 | Idler Arm Assembly | 94973-821 | 71 | Shoulder Bolt | 711611 |
| 36-1 | Spring,-Belt Guide | 94312 | 72 | Nut, 3/8-16 | 711622 |
| 36-2 | Screw, 1/4-20x.50 | 710264 | 73 | Rod, Hanger | 95295 |
| 36-3 | Idler Arm | 94298 | 74 | Hair Pin | 711676 |
| 37 | Bolt, Shoulder | 711613 | 75 | Assembly, Bracket & Stiffener | 690058-821 |
| 38 | Link, Brake RH | 690023 | 75-1 | Bracket, Front Suspension | 94058 |
| 39 | Washer, Flat | 712480 | 75-2 | Stiffener | 95057 |
| 40 | Hair Pin | 711682 | 75-3 | Screw, 5/16-18x.75 | 710079 |
| 41 | Pulley, Idler | 690024 | 76 | Flatwasher | 583409 |
| 42 | Nut, 3/8-16 | 711622 | 77 | Spring, Extension | 710658 |
| 43 | Spring, Extension | 710234 | 78 | Washer, Flat | 712480 |
| 50 | Assy, Plate,Rear Sus Bkt RH | 690158-821 | 80 | Pad, Adhesive | 318197 |

MODEL 403016x58A

REPAIR PARTS DECK ASSEMBLY



MODEL 403016x58A

REPAIR PARTS DECK ASSEMBLY

| Key No. | Description | Part No. | Key No. | Description | Part No. |
|---------|-----------------------------|----------|---------|--------------------|-----------|
| 2 | Assembly, Jackshaft Housing | 94305 | 12 | Washer, Bellville | 17x166 |
| 2-1 | Housing, Jackshaft | 94282 | 13 | Flatwasher | 17x165 |
| 2-2 | Bearing, Lower Jackshaft | 92282 | 14 | Nut, 9/16-18 | 711910 |
| 2-3 | Bearing, Upper Jackshaft | 92281 | 15 | Screw, 3/8-16x1.00 | 711911 |
| 2-4 | Spacer | 90904 | 16 | Pulley Cover | 94288-821 |
| 3 | Pulley, Deck | 690020 | 44 | Belt, V 46.5LG | 710231 |
| 4 | Jackshaft | 91922 | 45 | Belt, Deck | 690071 |
| 5 | Flatwasher | 17x165 | 46 | Gauge Wheel | 92683 |
| 6 | Spacer | 91903 | 47 | Shoulder Bolt | 711746 |
| 8 | Nut, 9/16-18 | 711910 | 48 | Flatwasher | 711615 |
| 9 | Adapter, Deck | 94207 | 49 | Nut, 3/8-16 | 711622 |
| 10 | Blade, LH | 690499 | 66 | Circle Pin | 711764 |
| 11 | Blade, RH | 690500 | 79 | Rod, Belt Guide | 95280 |

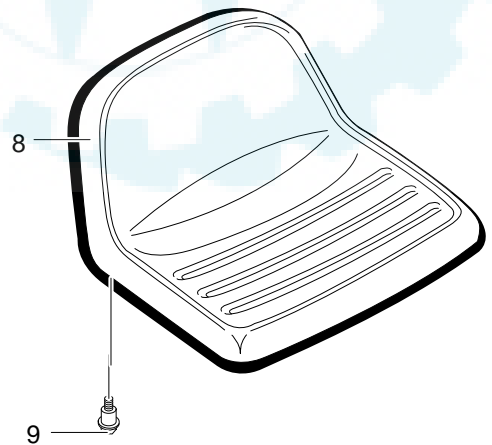
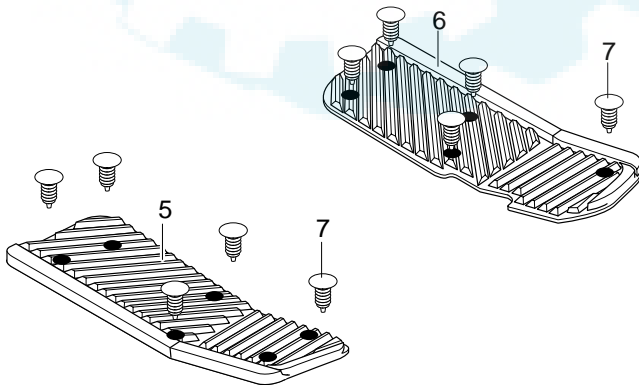
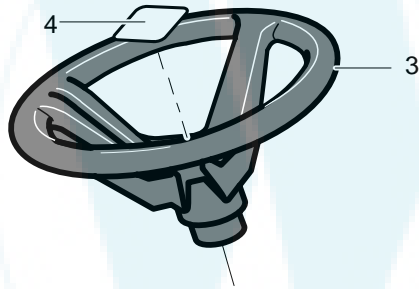
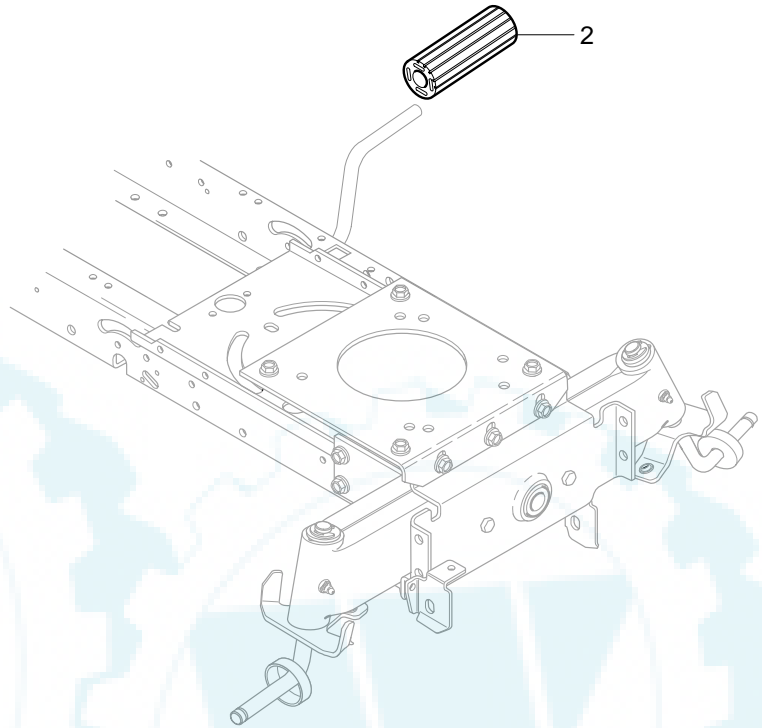
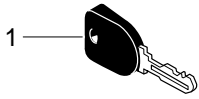
MODEL 403016x58A

**REPAIR PARTS
ELECTRICAL ASSEMBLY**

| Key No. | Description | Part No. | Key No. | Description | Part No. |
|----------------|--------------------------------|-----------------|----------------|--------------------------------|-----------------|
| 1 | Wire Harness | 95378 | 14 | Screw 1/4x.50 | 711619 |
| 2 | Indicator Harness | 690611 | 15 | Nut, 1/4-20 | 711632 |
| 3 | Rear Harness | 95381 | 16 | Ground Wire | 95420 |
| 4 | Wire Harness for Headlights | 94103 | 17 | Screw, 1/4x.50 | 711619 |
| 5 | Bulb, Headlamp | 52572 | 18 | Seat Switch | 94159 |
| 6 | Cable Tie | 57444 | 19 | Battery 5 Plate | 92739 |
| 7 | Wire Clip, Adhesive | 55939 | 20 | Bolt, 1/4-20x.63 | 711680 |
| 8 | Switch, Ignition | 94762 | 21 | Wing Nut | 711636 |
| 10 | Assy, Switch Double Pole Delta | 690106 | 22 | Battery Boot | 335417 |
| 10-1 | Switch, Double | 320082 | 25 | Flatwasher | 711666 |
| 10-2 | Boot, Switch | 690074 | 27 | Tape Switch | 95330 |
| 10-3 | Switch Cap | 690075 | 28 | Buzzer, For Bag Full | 95391 |
| 11 | Bulb, Indicator | 57769 | 29 | Wire, Lead Solenoid to Starter | 711579 |
| 12 | Switch, Limit | 94136 | 39 | Harness Adapter | 94348 |
| 13 | Solenoid | 94613 | — | 15 Amp Fuse | 302031 |

MODEL 403016x58A

**REPAIR PARTS
CUSTOMER SPEC**



MODEL 403016x58A

**REPAIR PARTS
CUSTOMER SPEC**

| Key No. | Description | Part No. |
|----------------|---------------------------|-----------------|
| 1 | Ignition Key | 327349 |
| 2 | Cover, Pedal Brake/Clutch | 21544 |
| 3 | Steering Wheel | 95184 |
| 4 | Insert, 4-Spoke | 711325 |
| 5 | Footrest Pad RH | 95438 |
| 6 | Footrest Pad LH | 95437 |
| 7 | Ratchet Fastener | 311087 |
| 8 | Seat | 95444 |
| 9 | Shoulder Bolt 5/16-18 | 711654 |