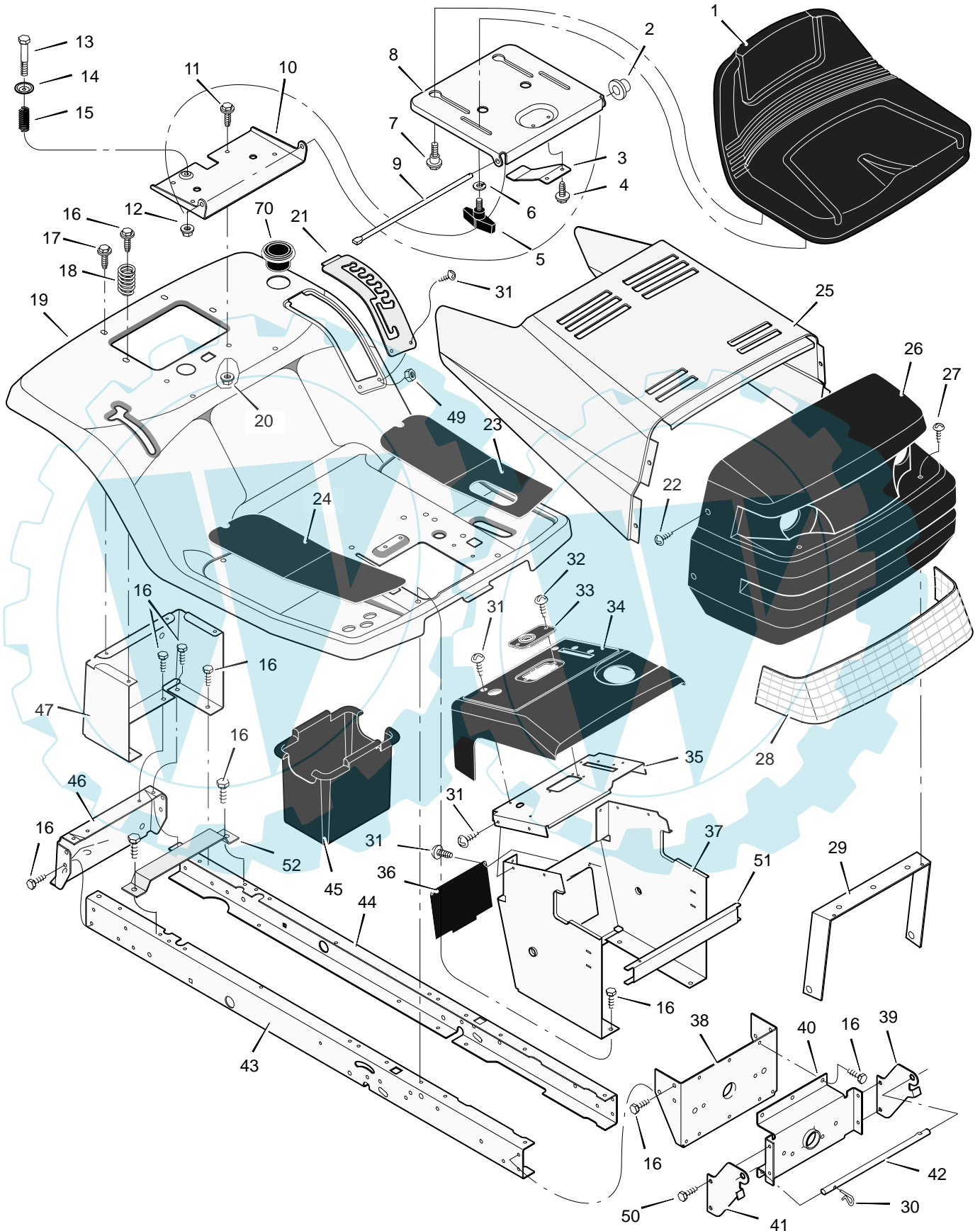


MODEL 385011x50C

REPAIR PARTS CHASSIS & HOOD



MODEL 385011x50C

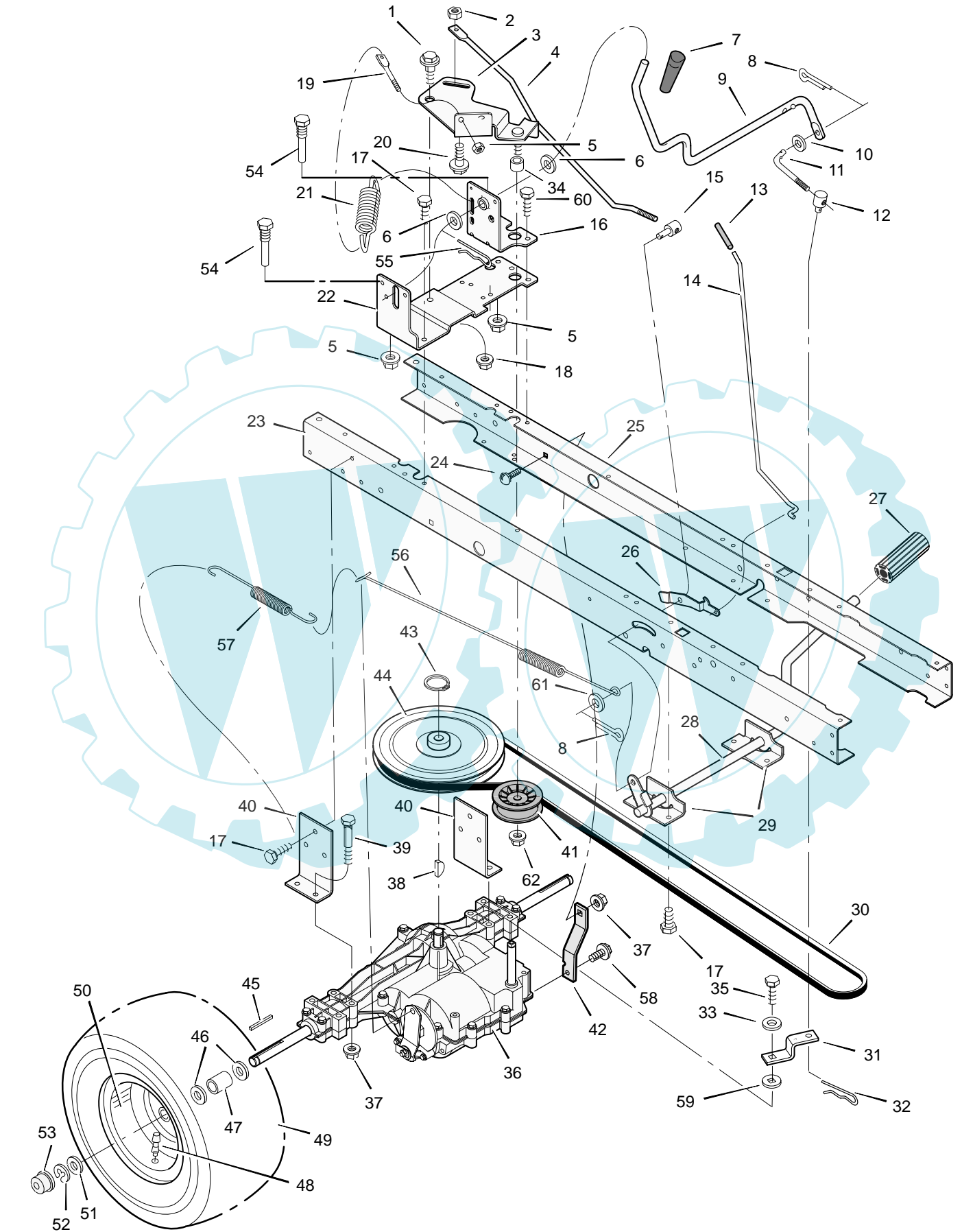
REPAIR PARTS CHASSIS & HOOD

Key No.	Part No.	Description	Key No.	Part No.	Description
1	690567	Seat	28	092334	Lens *
2	028x23	Cap, Push On	29	092448	Brace, Grille *
3	094057	Spring	30	0031x4	Pin, Hair
4	26x229	Screw	31	26x270	Screw
5	1001054	Bolt, Wing	32	26x239	Screw
6	017x47	Washer	33	094214	Bearing, Steering
7	009x56	Bolt, Shoulder	34	776061	Dash
8	094154E701	Support, Seat	35	094211E700	Plate, Dash
9	094156 Z	Rod, Pivot	36	093007E701	Panel, Access
10	1001648E701	Bracket, Pivot	37	095323E700	Support, Dash
11	001x45	Bolt	38	1001270E701	Bracket, Rear Hanger
12	015x89	Nut	39	690544E700	Support, Left Grille
13	009x55	Bolt, Shoulder	40	094007E701	Axle, Hanger
14	094155 Z	Washer	41	690543E700	Support, Right Grille
15	164x31	Spring	42	092332 Z	Rod, Pivot
16	26x249	Screw	43	1001268E701	Frame, Right
17	26x263	Screw	44	1001269E701	Frame, Left
18	164x30	Spring	45	690424	Container, Battery
19	1001558E245	Deck, Seat	46	1001002E701	Plate, Hitch
20	15x123	Nut	47	690434E701	Panel, Rear
21	094829E701	Plate, Index	49	015x81	Nut
22	009x47	Bolt	50	26x277	Screw
23	094999	Mat, Left	52	690482E701	Support, Battery
24	094998	Mat, Right	51	094215E701	Channel
25	092333E245	Hood	70	1001542	Holder, Cup
26	094867E701	Grille Assembly (Includes Lens)	—	F-030708L	Instruction Book & Parts List
27	26x239	Screw *			

* Included with Key 26.

MODEL 385011x50C

REPAIR PARTS MOTION DRIVE



F-040713L

MODEL 385011x50C

REPAIR PARTS MOTION DRIVE

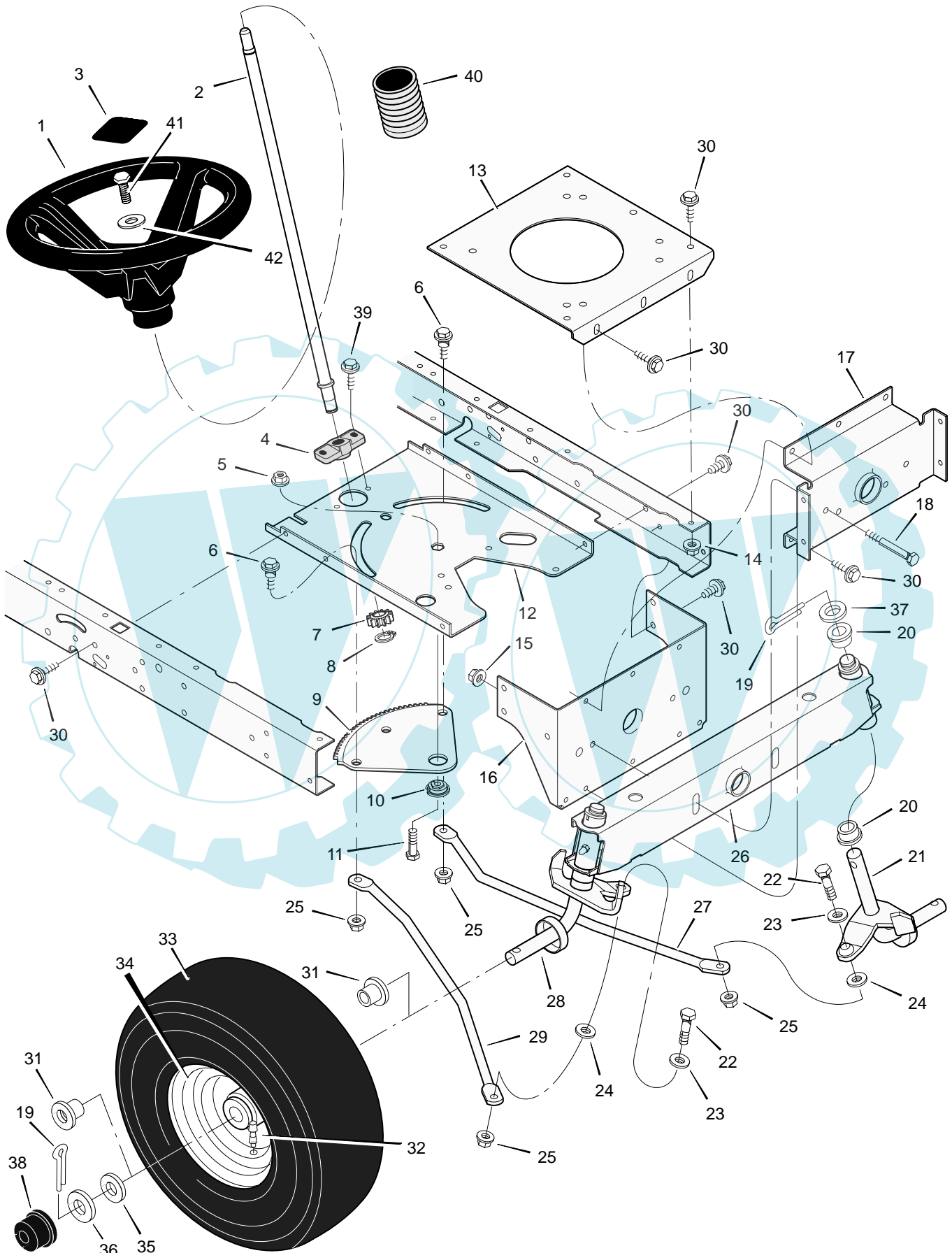
Key No.	Part No.	Description	Key No.	Part No.	Description
1	009x39	Bolt, Shoulder	33	017x38	Washer
2	015x89	Nut, Hex	34	690369	Spacer
3	690173 Z	Arm, Idler	35	06x105	Bolt
4	094041 Z	Rod, Clutch	36		Transaxle, PEERLESS
5	015x79	Nut	37	015x88	Nut
6	17x102	Washer	38	020697	Key, Woodruff
7	092697	Grip	39	01x155	Bolt
8	030x20	Pin, Cotter	40	094008E701	Bracket, Transaxle
9	094043 Z	Lever, Shift	41	690409	Pulley
10	017x47	Washer	42	094433E700	Bracket, Transaxle Support
11	094044 Z	Link, Shift	43	0011x7	Ring Retainer
12	021920	Nut, Adjuster	44	095094	Pulley, Drive
13	091079	Grip	45	021553	Key, Square
14	1001271 Z	Rod, Parking Brake	46	17x160	Washer
15	094815	Nut, Adjuster	47	690554 Z	Spacer, Transaxle
16	1001303 Z	Bracket, Shift Pivot	48	024373	Stem, Valve
17	26x249	Screw	49	091923	Tire *
18	015x84	Nut	—	407049	Tube
19	094042 Z	Mount, Stud Spring	50	92288-601	Wheel & Tire Assembly
20	009x54	Bolt, Shoulder	51	17x195	Washer
21	165x116	Spring, Extension	52	0011x3	E-Ring
22	1001302E701	Bracket, Right Shifter	53	094618	Hub Cap
23	1001268E701	Frame, Right	54	093349	Guide, Belt
24	002x53	Bolt, Carriage	55	0031x4	Pin, Hair
25	1001269E701	Frame, Left	56	165x115	Spring, Extension
26	094045 Z	Latch, Parking Brake	57	165x92	Spring, Extension
27	021544	Pedal	58	26x216	Screw
28	094038E700	Lever, Brake/Clutch	59	17x148	Washer
29	1001117E701	Bracket, Pedal	60	26x267	Screw
30	037x87	Belt, Motion Drive	61	17x169	Washer
31	094031 Z	Yoke, Shift	62	015x89	Nut
32	0031x6	Pin, Hair			

* When you order a tire, make sure to give the brand name of the tire so that the tread pattern on the tire will match.

** For Replacement Parts see the Central Parts Distributor in your area.

MODEL 385011x50C

REPAIR PARTS
STEERING



F-040713L

MODEL 385011x50C

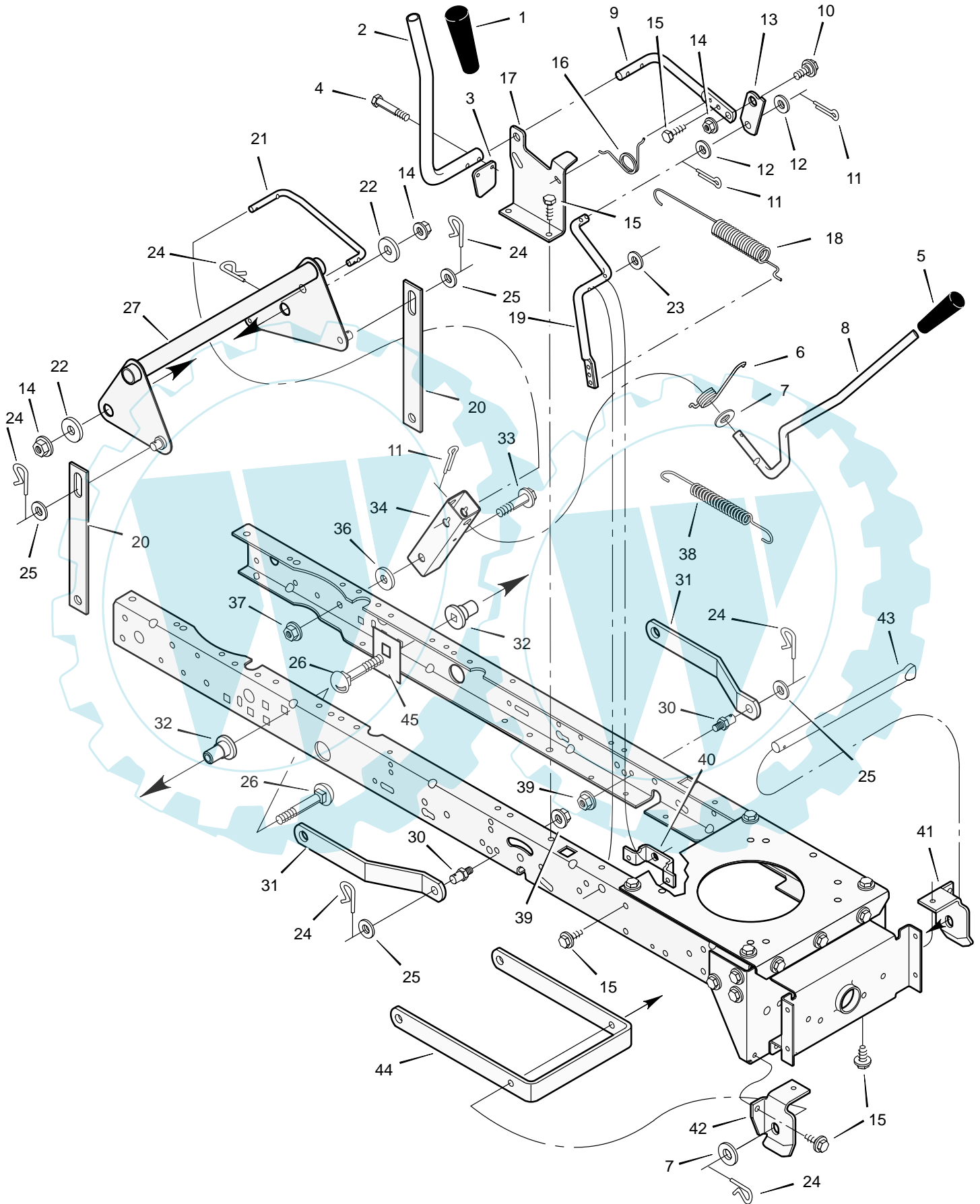
REPAIR PARTS STEERING

Key No.	Part No.	Description	Key No.	Part No.	Description
1	095184	Wheel, Steering	23	17x104	Washer
2	690626	Post, Steering	24	017x53 Z	Washer
3	711325	Insert, Steering Wheel	25	015x84	Nut, Flange
4	094124	Bearing	26	690211	Axle Assembly
5	15x111	Nut, Flange	27	095329E701	Drag Link, Left
6	009x57	Bolt, Shoulder	28	094575E701	Spindle Assembly, Right
7	690183	Gear, Pinion	29	095328E701	Drag Link, Right
8	011x25	Ring, Snap	30	26x249	Screw
9	094121	Gear, Sector	31	091334	Bearing, Wheel
10	094123	Bearing	32	024373	Stem, Valve
11	001x84	Bolt	33	091923	Tire *
12	1001121E701	Plate, Steering	—	407924	Tube
13	094006E701	Plate, Engine	34	094578-601	Wheel and Tire Assembly
14	015x88	Nut, Flange	35	17x195	Washer
15	15x118	Nut, Flange	36	17x192	Washer
16	1001270E701	Bracket, Hanger	37	17x113	Washer
17	094007E701	Axle, Hanger	38	094618	Hub Cap
18	01x146	Bolt	39	26x267	Screw
19	030x49	Pin, Cotter	40	054789	Bellows
20	690150	Bearing	41	0025x3	Bolt
21	094576E701	Spindle Assembly, Left	42	17x146	Washer
22	01x111	Bolt			

* When you order a tire, make sure to give the brand name of the tire so that the tread pattern on the tire will match.
F-040713L

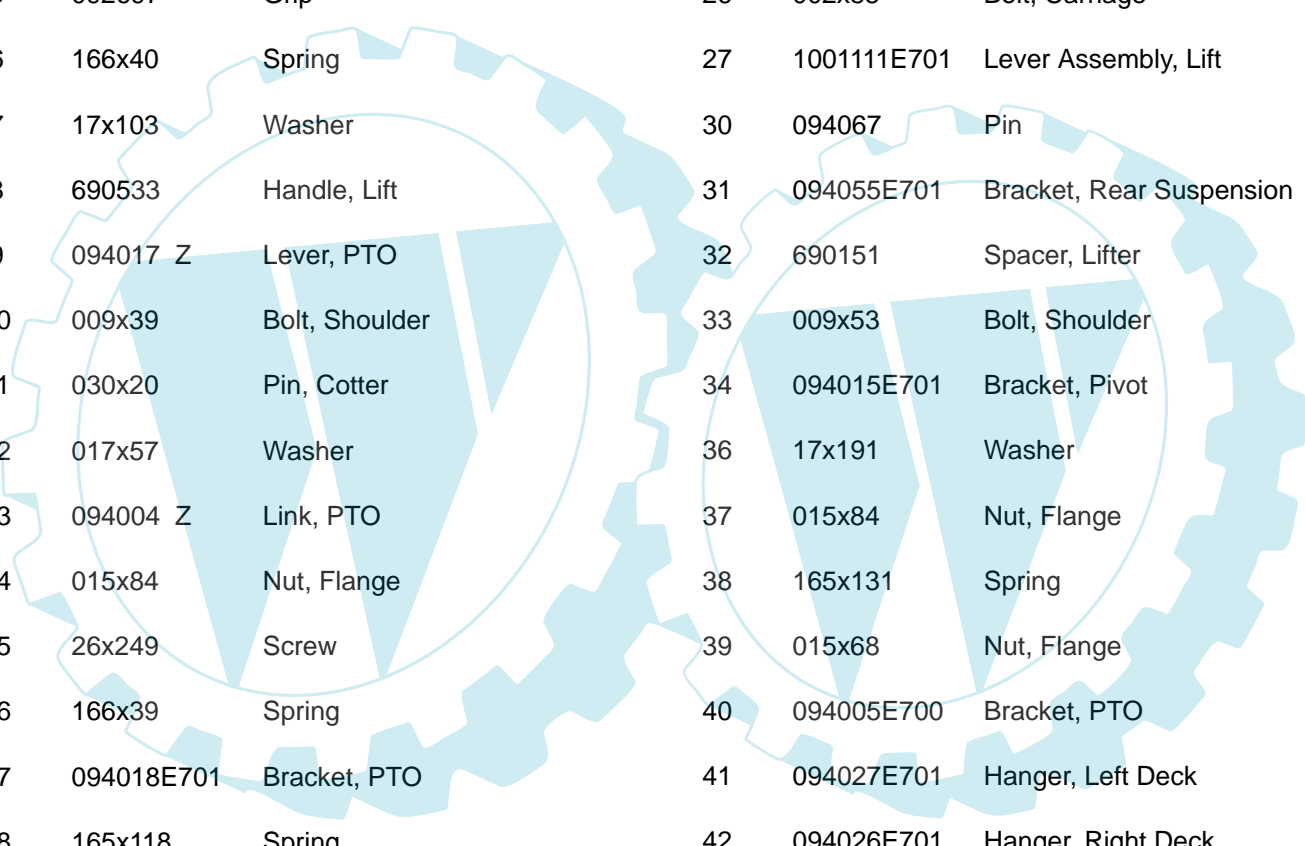
MODEL 385011x50C

REPAIR PARTS MOWER HOUSING SUSPENSION



MODEL 385011x50C

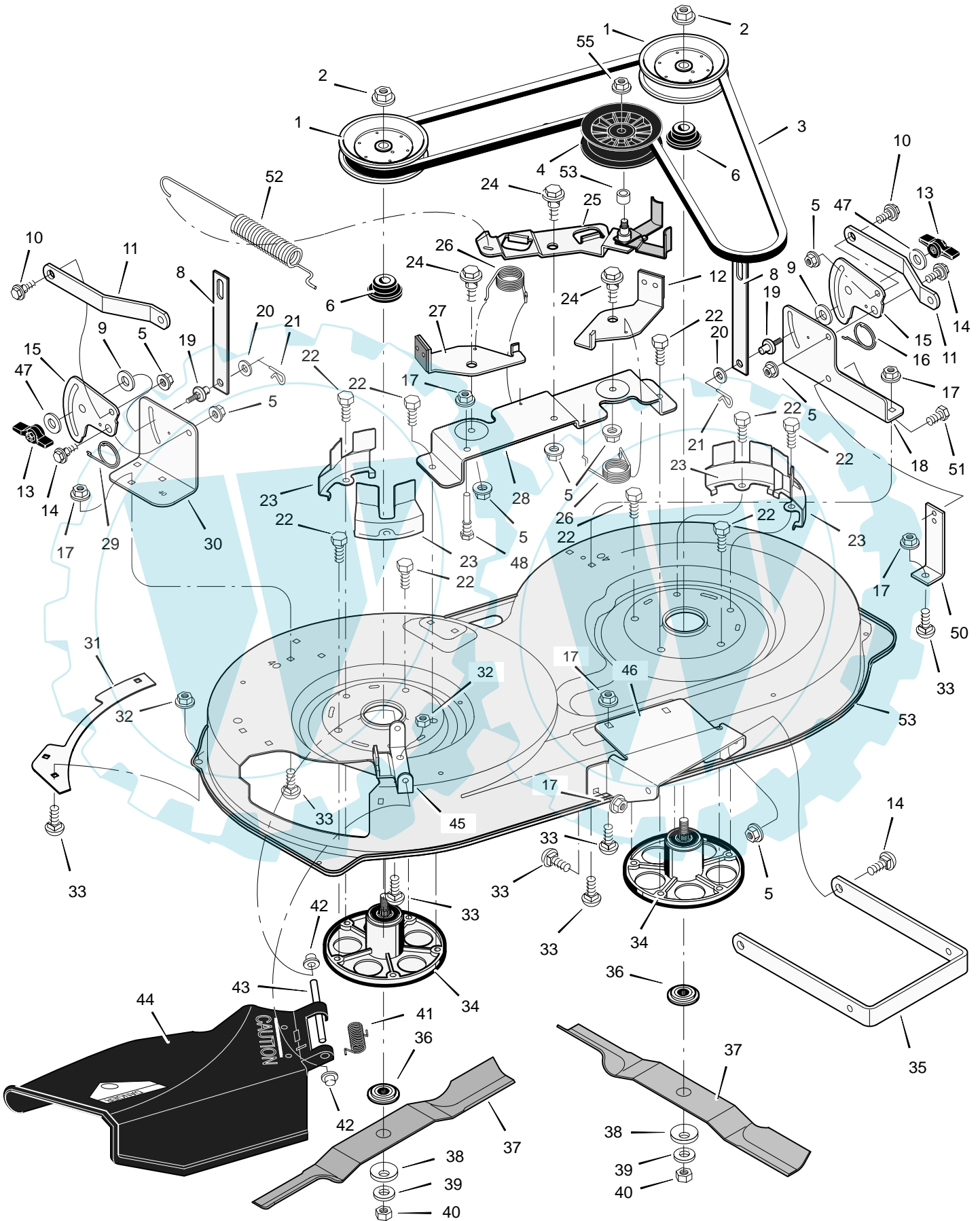
REPAIR PARTS MOWER HOUSING SUSPENSION



Key No.	Part No.	Description	Key No.	Part No.	Description
1	092698	Grip	22	17x168	Washer
2	094346 Z	Handle, PTO	23	017x57	Washer
3	094022 Z	Pad, Switch	24	0031x4	Pin, Hair
4	0025x3	Bolt	25	017x91	Washer
5	092697	Grip	26	002x85	Bolt, Carriage
6	166x40	Spring	27	1001111E701	Lever Assembly, Lift
7	17x103	Washer	30	094067	Pin
8	690533	Handle, Lift	31	094055E701	Bracket, Rear Suspension
9	094017 Z	Lever, PTO	32	690151	Spacer, Lifter
10	009x39	Bolt, Shoulder	33	009x53	Bolt, Shoulder
11	030x20	Pin, Cotter	34	094015E701	Bracket, Pivot
12	017x57	Washer	36	17x191	Washer
13	094004 Z	Link, PTO	37	015x84	Nut, Flange
14	015x84	Nut, Flange	38	165x131	Spring
15	26x249	Screw	39	015x68	Nut, Flange
16	166x39	Spring	40	094005E700	Bracket, PTO
17	094018E701	Bracket, PTO	41	094027E701	Hanger, Left Deck
18	165x118	Spring	42	094026E701	Hanger, Right Deck
19	690394E701	Crank, PTO	43	094158 Z	Rod, Hanger
20	690212E701	Link, Lift	44	690539E701	Bracket, Suspension
21	690122E701	Link, Lift Handle	45	1001098E701	Plate, Stiffening

MODEL 385011x50C

REPAIR PARTS MOWER HOUSING



F-040713L

9

MODEL 385011x50C

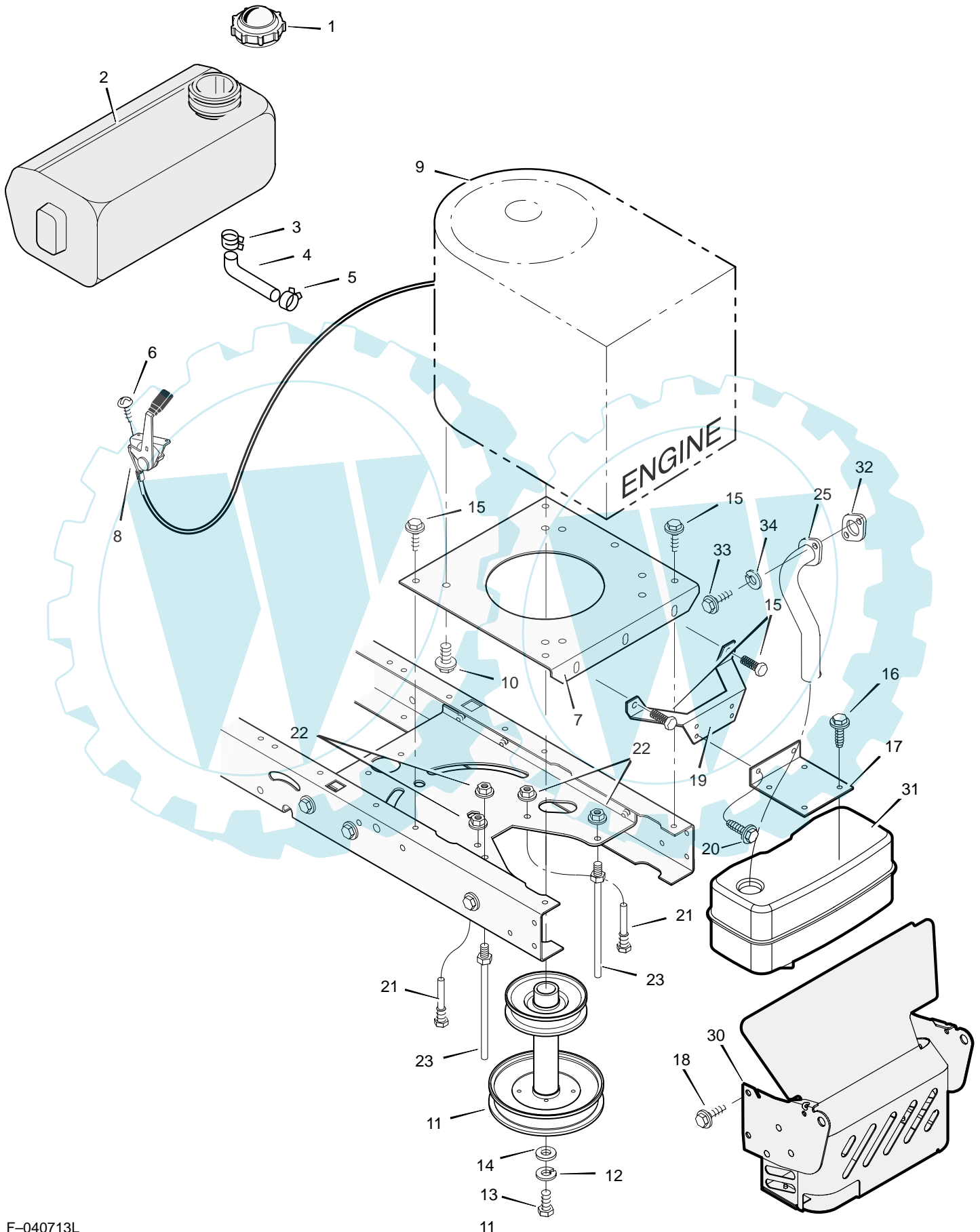
REPAIR PARTS MOWER HOUSING

Key No.	Part No.	Description	Key No.	Part No.	Description
1	092852	Pulley, Jackshaft	29	166x42	Spring
2	15x140	Nut, Hex	30	094052E701	Bracket, Right Suspension
3	037x86	Belt, Mower Drive	31	091770E700	Plate
4	690387	Pulley, Idler	32	015x88	Nut, Flange
5	015x84	Nut, Flange	33	002x53	Bolt, Carriage
6	1001197	Spacer, Pulley	34	1001200	Mandrell (Includes Key 6)
8	690212E701	Link, Lift	35	690539E701	Bracket, Suspension
9	094137	Pad, Friction	36	690411	Adapter, Blade
10	009x52	Bolt, Shoulder	37	1001427E701	Blade
11	094055E701	Bracket, Suspension	38	17x166	Washer
12	094049E701	Pad Assembly, Left Brake	39	17x165	Washer
13	094068	Knob	40	15x100	Nut
14	009x51	Bolt, Shoulder	41	0166x4	Spring
15	094128E700	Plate, Suspension	42	028x23	Cap, Push On
16	166x43	Spring	43	094957 Z	Rod, Pivot
17	015x79	Nut, Flange	44	094707	Deflector Assembly
18	094054E701	Bracket, Left Suspension	45	094956E701	Bracket, Deflector
19	095194	Pin, Hanger	46	094062E700	Bracket, Front Hanger
20	017x91	Washer	47	017x45 Z	Washer
21	0031x4	Pin, Cotter	48	094781	Guide, Belt
22	0025x7	Bolt	50	094681E700	Bracket, Support
23	094051E701	Cover, Pulley	51	26x249	Screw
24	009x39	Bolt, Shoulder	52	165x118	Spring, Extension
25	1001499	Arm, Idler	53	690369	Spacer
26	166x41	Spring	54	094061E701	Housing, Blade *
27	094047E701	Pad Assembly, Right Brake	55	015x98	Nut, Flange
28	094059E700	Bracket Assembly, Brake	1-55	776000	Complete Mower Housing Assembly

* Includes Key No. 17, 18, 30, 31, 32, 33, 45, 46, 47 and 51.

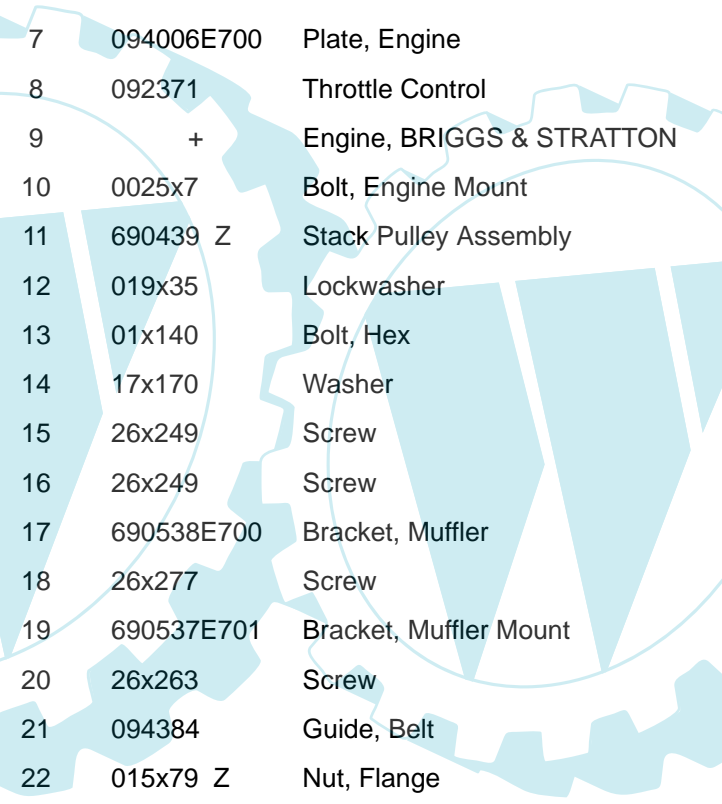
MODEL 385011x50C

REPAIR PARTS
ENGINE MOUNT



MODEL 385011x50C

**REPAIR PARTS
ENGINE MOUNT**



Key No.	Part No.	Description
1	092317	Fuel Cap
2	690263	Fuel Tank
3	095197	Hose Clamp * *
4	7601033	Fuel Line (Must be cut to length) * *
5	095197	Hose Clamp * *
6	26x201	Screw
7	094006E700	Plate, Engine
8	092371	Throttle Control
9	+	Engine, BRIGGS & STRATTON
10	0025x7	Bolt, Engine Mount
11	690439 Z	Stack Pulley Assembly
12	019x35	Lockwasher
13	01x140	Bolt, Hex
14	17x170	Washer
15	26x249	Screw
16	26x249	Screw
17	690538E700	Bracket, Muffler
18	26x277	Screw
19	690537E701	Bracket, Muffler Mount
20	26x263	Screw
21	094384	Guide, Belt
22	015x79 Z	Nut, Flange
23	094066	Guide, Belt
25	1001747	Exhaust Tube, Single
30	1001627-717	Shield, Heat
—	1001620-717	Guard, Heat Shield *
31	094654	Muffler
32	091309	Gasket
33	06x103	Screw
34	018x15	Washer

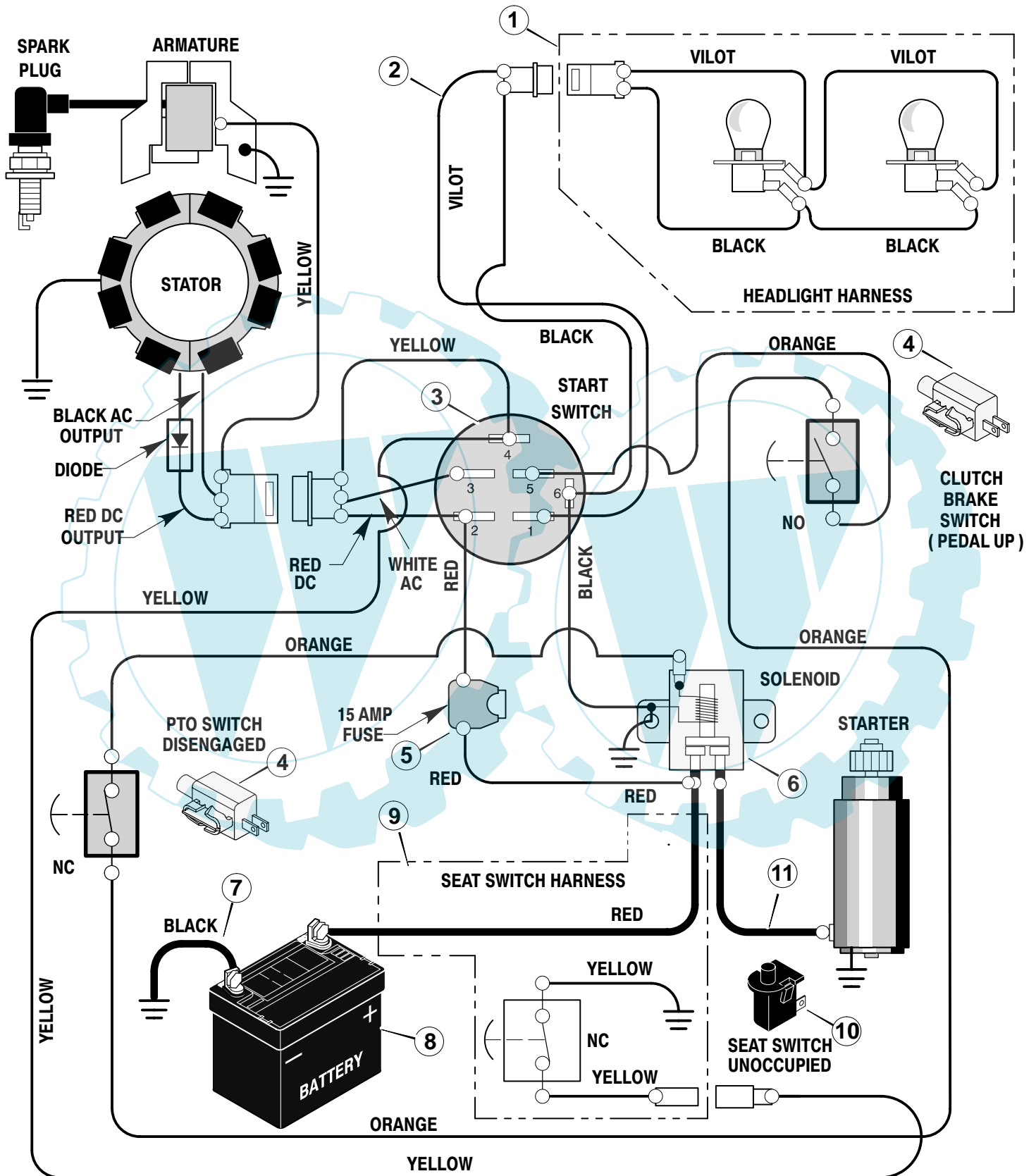
+ For Replacement Parts see the Central Parts Distributor in your area.

** Parts are included with Key 2

* Not Illustrated

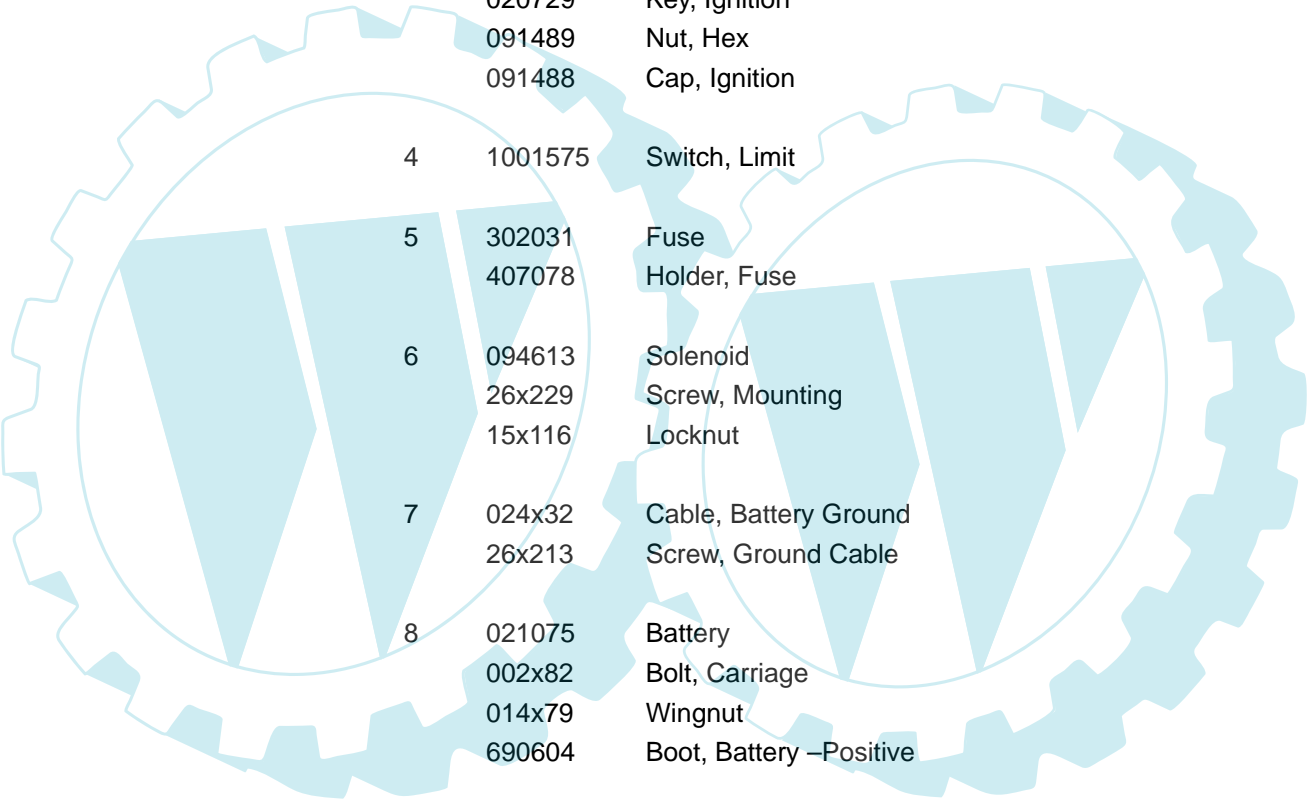
MODEL 385011x50C

REPAIR PARTS ELECTRICAL SYSTEM



MODEL 385011x50C

REPAIR PARTS ELECTRICAL SYSTEM



Key No.	Part No.	Description
1	250x92	Harness, Light Wire
	1001716	Socket, Light
	090084	Bulb, Light
2	250x113	Harness, Chassis Wire
3	092377	Switch, Ignition
	020729	Key, Ignition
	091489	Nut, Hex
	091488	Cap, Ignition
4	1001575	Switch, Limit
5	302031	Fuse
	407078	Holder, Fuse
6	094613	Solenoid
	26x229	Screw, Mounting
	15x116	Locknut
7	024x32	Cable, Battery Ground
	26x213	Screw, Ground Cable
8	021075	Battery
	002x82	Bolt, Carriage
	014x79	Wingnut
	690604	Boot, Battery -Positive
9	250x67	Harness, Seat Switch Wire
10	094159	Switch, Seat Sensor
11	024x31	Cable