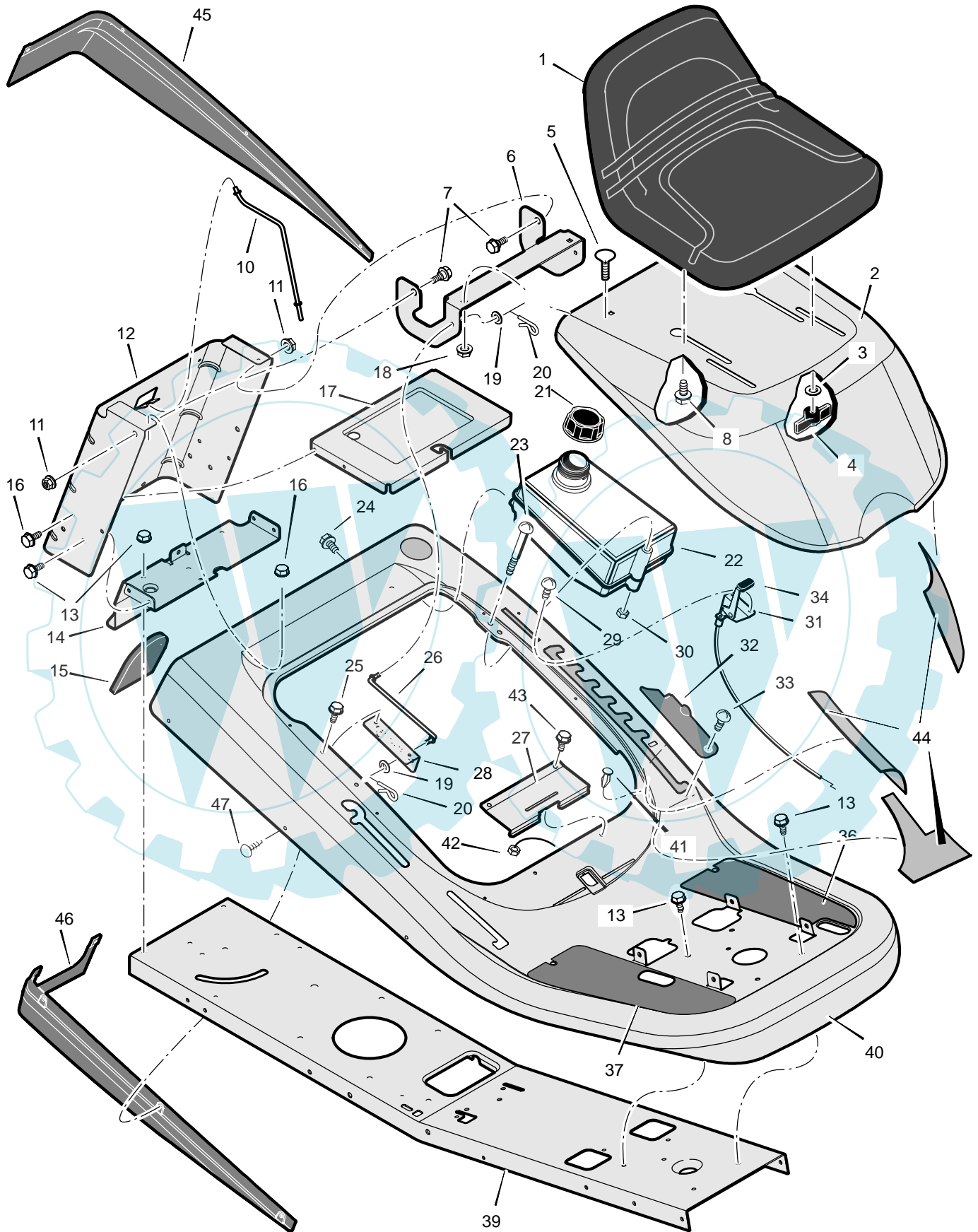


MODEL 309029x51B

REPAIR PARTS  
CHASSIS & HOOD



# MODEL 309029x51B

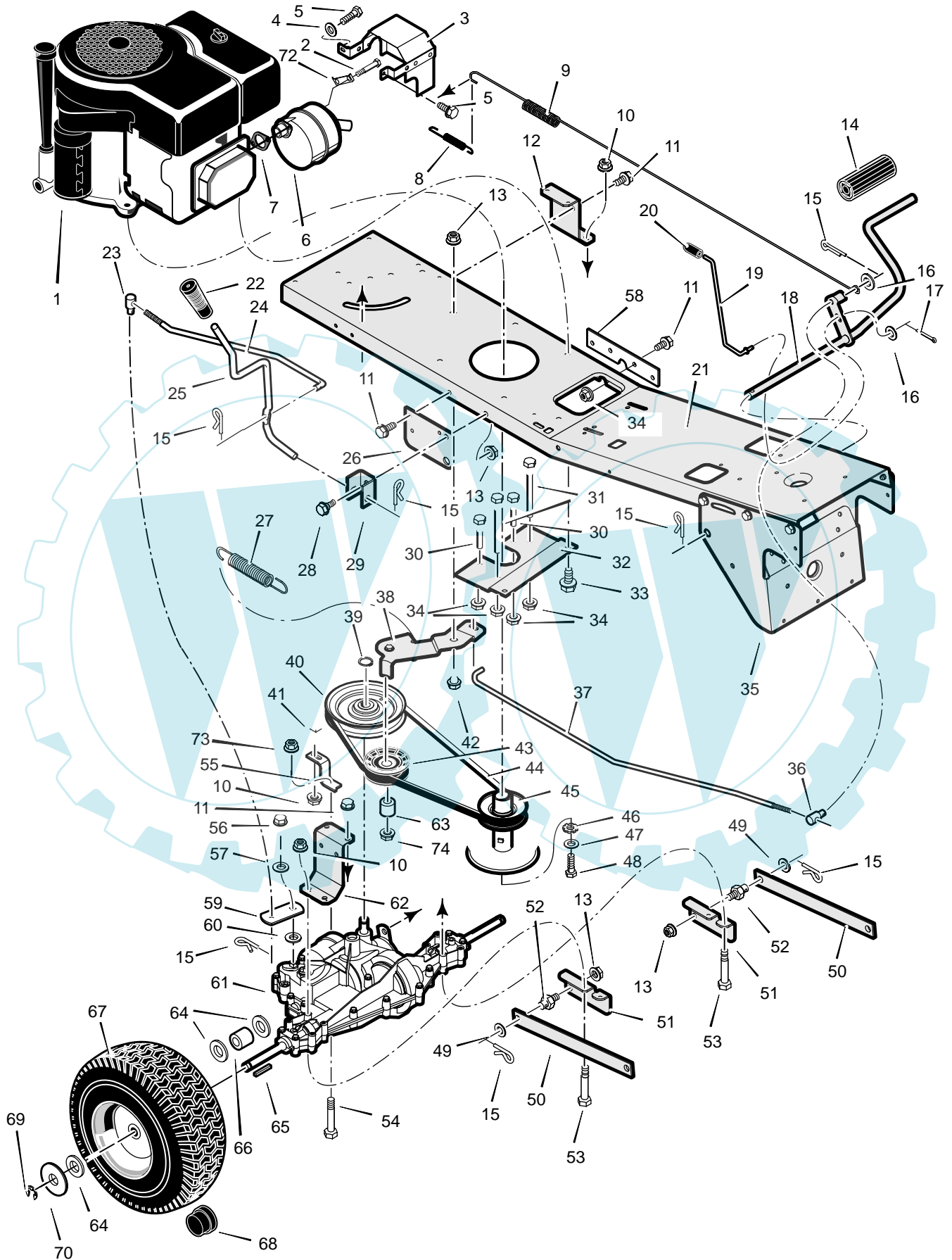
# REPAIR PARTS CHASSIS & HOOD

Key No.	Description	Part No.	Key No.	Description	Part No.
1	Seat	690566	23	Screw *	06x111
1	Siège	94162	24	Screw	26x253
1	Sitz	94162	25	Screw	26x263
1	Asiento	94162	26	Rod, Hood Prop	1401110
2	Hood	1401027E245	27	Spring, Seat Deck	1401282
3	Washer	017x47	28	Bracket, Prop Rod	1401297E701
4	Bolt, Wing	1001054	29	Screw	26x201
5	Bolt, Carriage	002x53	30	Nut, NY-Lock	15x116
6	Bracket, Hinge	1401036E701	31	Control, Throttle	1401248
7	Bolt, Shoulder	009x29	32	Cover, Detent (Black)	1401084
8	Bolt, Shoulder	009x56	33	Bolt, Shoulder	009x47
10	Rod, Battery	1401113	36	Footmat, Left	1401145
11	Nut, Flange	015x84	37	Footmat, Right	1401144
12	Plate, Rear	1401025E701	39	Frame	1401256E701
13	Screw	26x249	40	Deck, Seat	1401219E245
14	Plate, Hitch	1401050E701	41	Bumper	094744
15	Cover (Black)	1401087	42	Nut *	15x116
16	Screw	26x263	43	Screw	0025x2
17	Tray, Battery	1401076E701	44	Kit, Foil Heat Shield	7601036
18	Nut, Flange	015x79	45	Trim, Left (Black)	1401073
19	Washer	017x37	46	Trim, Right (Black)	1401072
20	Pin, Cotter	0031x6	47	Fastener, Panel	0193x1
21	Cap, Fuel Tank *	092317	--	Book, Instruction	F-030606L
22	Tank, Fuel	7601040			

\* These parts are included when ordering Key number 22.

# MODEL 309029x51B

# REPAIR PARTS MOTION DRIVE



# MODEL 309029x51B

# REPAIR PARTS MOTION DRIVE

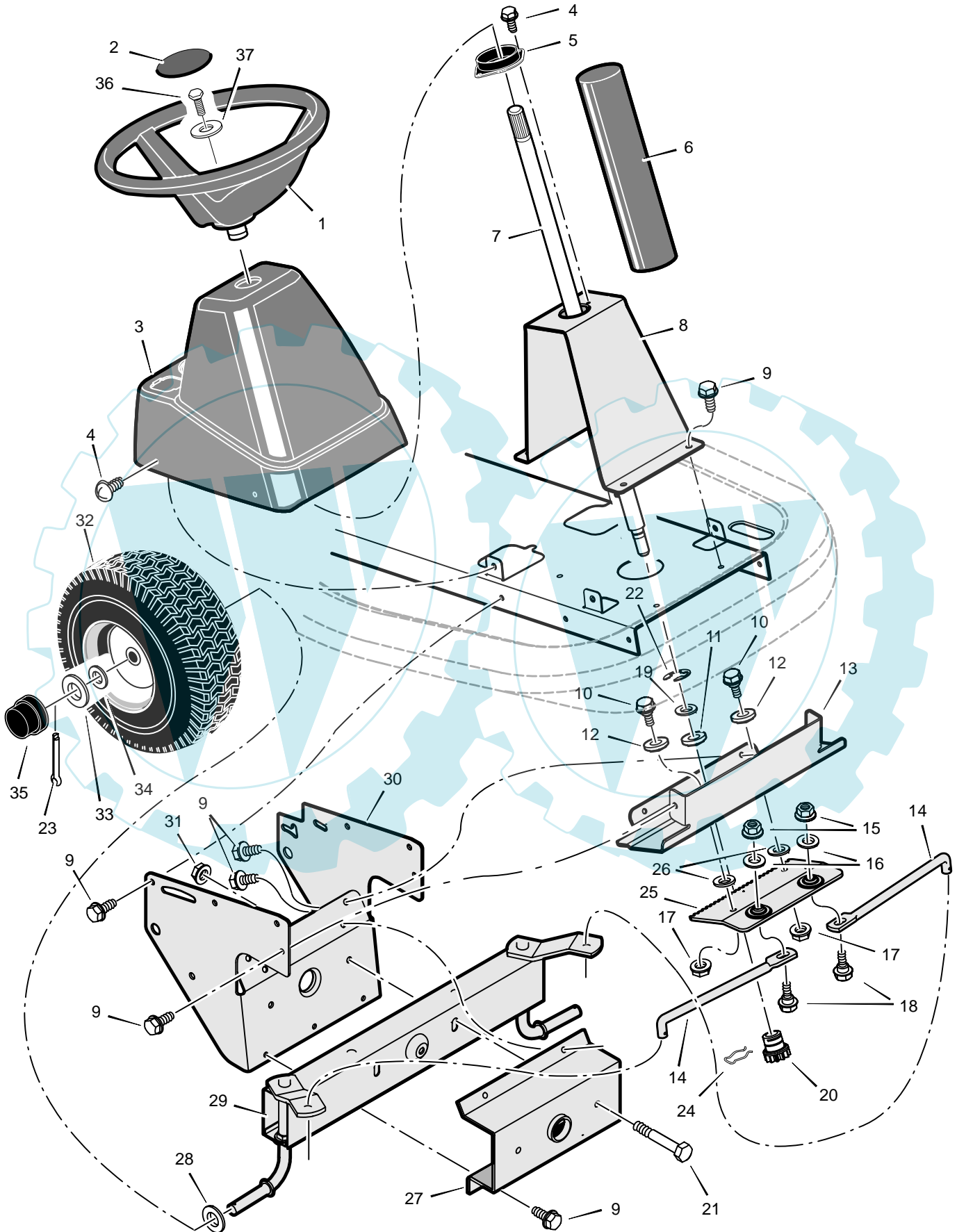
Key No.	Description	Part No.	Key No.	Description	Part No.
1	Engine, Briggs & Stratton	—	38	Clutch Arm Assembly	1401128E701
2	Bolt, Hex	01x134	39	Ring, Retainer	0011x7
3	Shield Assembly, Heat	1401207	40	Pulley, Drive	1401077
4	Lockwasher	018x32	41	Bolt, Carriage	002x53
5	Screw	0025x2	42	Bolt, Shoulder	009x39
6	Muffler	1401251	43	Pulley, Idler	690410
7	Gasket, Muffler	091309	44	Belt, Motion Drive	37x110
8	Spring, Extension	165x75	45	Pulley, Split Stack	1401066
9	Spring, Extension	165x148	46	Washer, Star	019x35
10	Nut	015x88	47	Washer	17x170
11	Screw	26x249	48	Bolt, Hex	01x140
12	Bracket, Left Transaxle	1401268E701	49	Washer	17x102
13	Nut, Flange	015x84	50	Arm, Rear	1401031E701
14	Cover, Pedal	021544	51	Bracket, Rear Hanger	1401039E701
15	Pin, Cotter	0031x4	52	Pin, Threaded Shoulder	094067
16	Washer	017x53	53	Bolt, Hex	01x155
17	Pin, Cotter	030x20	54	Bolt	01x120
18	Pedal Assembly	1401127E701	55	Bracket, Torque Reactor	1401051E701
19	Rod, Parking Brake	1401112	56	Screw	06X105
20	Grip, Parking Brake Rod	091079	57	Washer, Shift Yoke	017X38
21	Frame	1401256E701	58	Plate, Reinforcement	1401260E701
22	Grip, Shift Lever	092697	59	Yoke, Shift	1401093 Z
23	Nut, Adjusting	1401148	60	Washer	17x148
24	Link, Shift	1401122	61	Transaxle, Peerless	—
25	Lever, Shift	1401111	62	Bracket, Right Transaxle	1401042E701
26	Bracket, Lift Pivot	1401032E701	63	Spacer	690369
27	Spring, Extension	165x147	64	Washer	17x160
28	Bolt, Shoulder	009x39	65	Key, Square	056534
29	Bracket, Pivot	1401043E701	66	Spacer, Rear Wheel	1401103
30	Guide, Belt –Short	1401104	67	Wheel, Rear –15"	1401120
31	Guide, Belt –Long	1401105	68	Cap, Hub	094618
32	Plate, Belt Guide	1401057E701	69	E–Ring	0011x3
33	Bolt	0025x7	70	Washer	17x195
34	Nut, Flange	015x79	72	Lock, Screw	092378
35	Bracket, Support	1401059E701	73	Nut	015x98
36	Nut, Adjusting	094815	74	Nut	015x43
37	Rod, Clutch	1401078			

\* When you order a tire, make sure to give the brand name of the tire so that the tread pattern on the tire will match.

\*\* For information on Replacement Parts see the Central Parts Distributor in your area.

MODEL 309029x51B

REPAIR PARTS  
STEERING



# MODEL 309029x51B

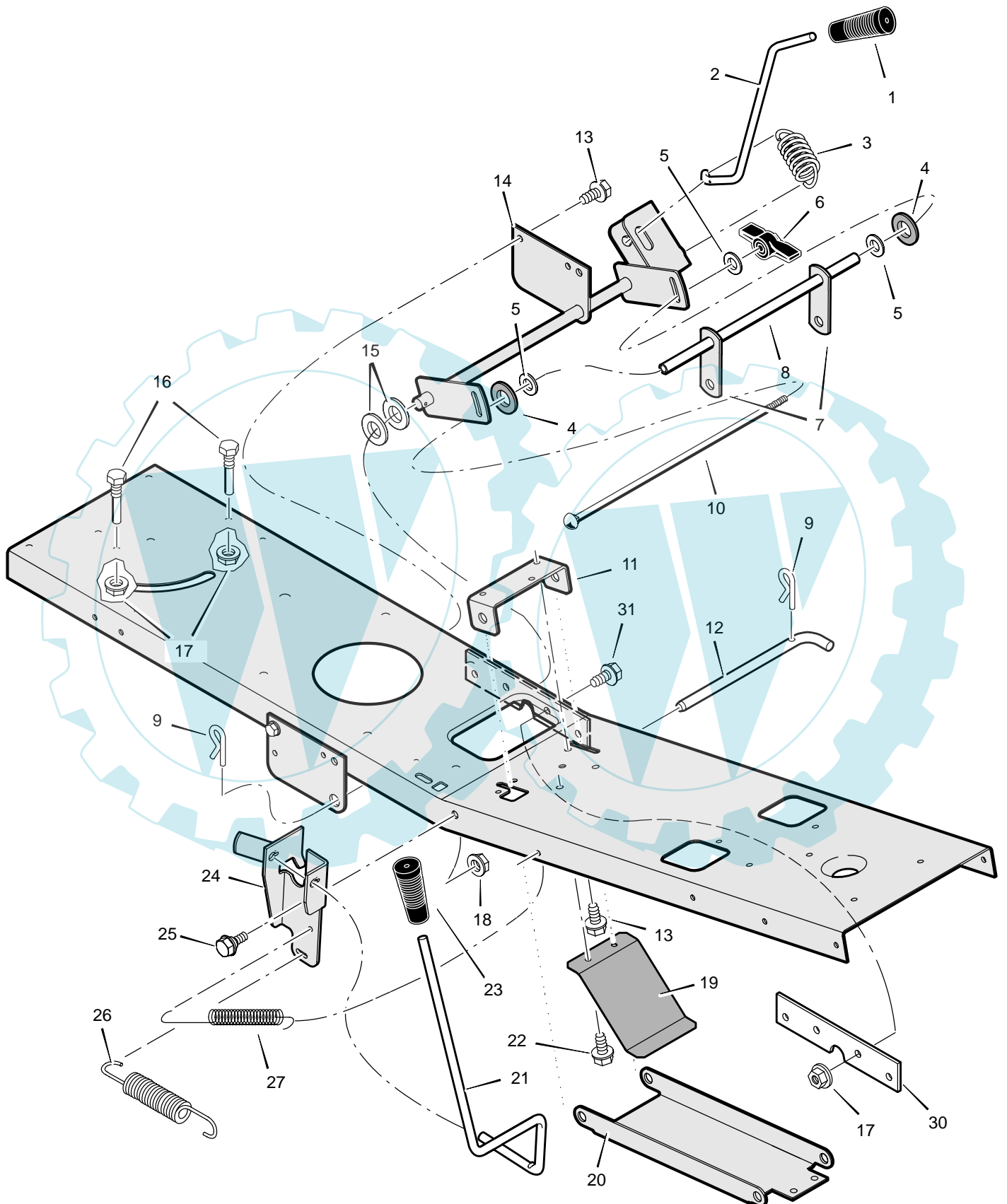
# REPAIR PARTS STEERING

Key No.	Description	Part No.	Key No.	Description	Part No.
1	Wheel, Steering (Black)	095336	20	Gear, Pinion	1401099
2	Insert, Steering	095338	21	Bolt, Hex	01x146
3	Console, Low (Black)	1401044	22	E-Ring, Retainer	011x28
4	Screw	26x270	23	Pin, Cotter	030x35
5	Bearing, Upper Steering	1401090	24	Retainer, Spring	094131
6	Tube, Steering (Black)	1401107	25	Rack, Steering	1401046E701
7	Shaft, Steering	1401100	26	Washer	17x201
8	Support, Steering	1401055E701	27	Bracket, Axle Front	1401060E701
9	Screw	26x249	28	Washer	17x157
10	Bolt, Shoulder	009x67	29	Axle & Spindle Assembly	1401250E701
11	Bearing, Lower Steering	1401098	30	Bracket, Support	1401059E701
12	Roller	1401102	31	Nut, Flange	15x118
13	Plate, Gear Mounting	1401058E701	32	Wheel, Front	1401143
14	Link, Drag	1401123E701	33	Washer	17x197
15	Nut, Flange	015x84	34	Washer	17x157
16	Washer	17x104	35	Cap, Hub	094618
17	Nut, Flange	015x88	36	Bolt	0025x3
18	Bolt, Hex	01x111	37	Washer	17x146
19	Washer	17x118			

\* When you order a tire, make sure to give the brand name of the tire so that the tread pattern on the tire will match.

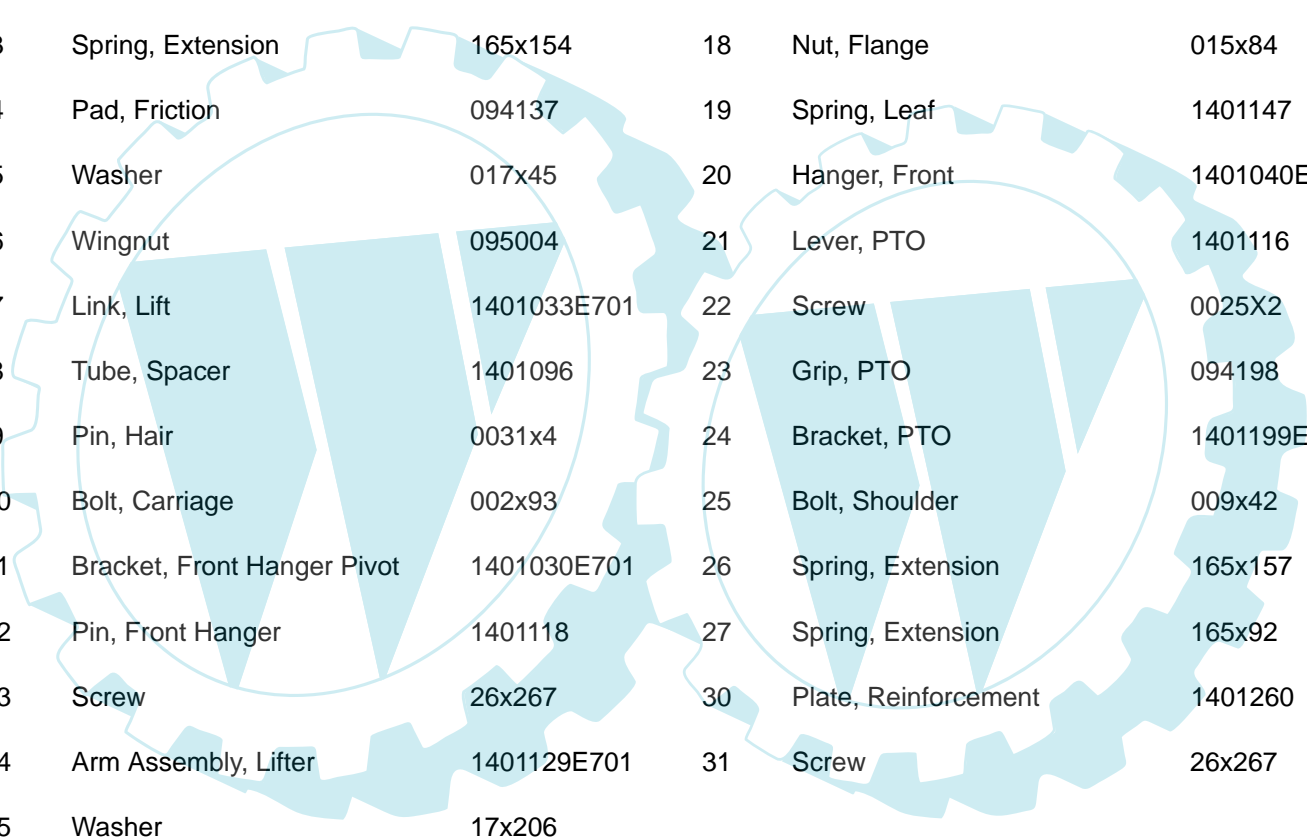
MODEL 309029x51B

REPAIR PARTS  
MOWER HOUSING SUSPENSION



**MODEL 309029x51B**

**REPAIR PARTS  
MOWER HOUSING SUSPENSION**

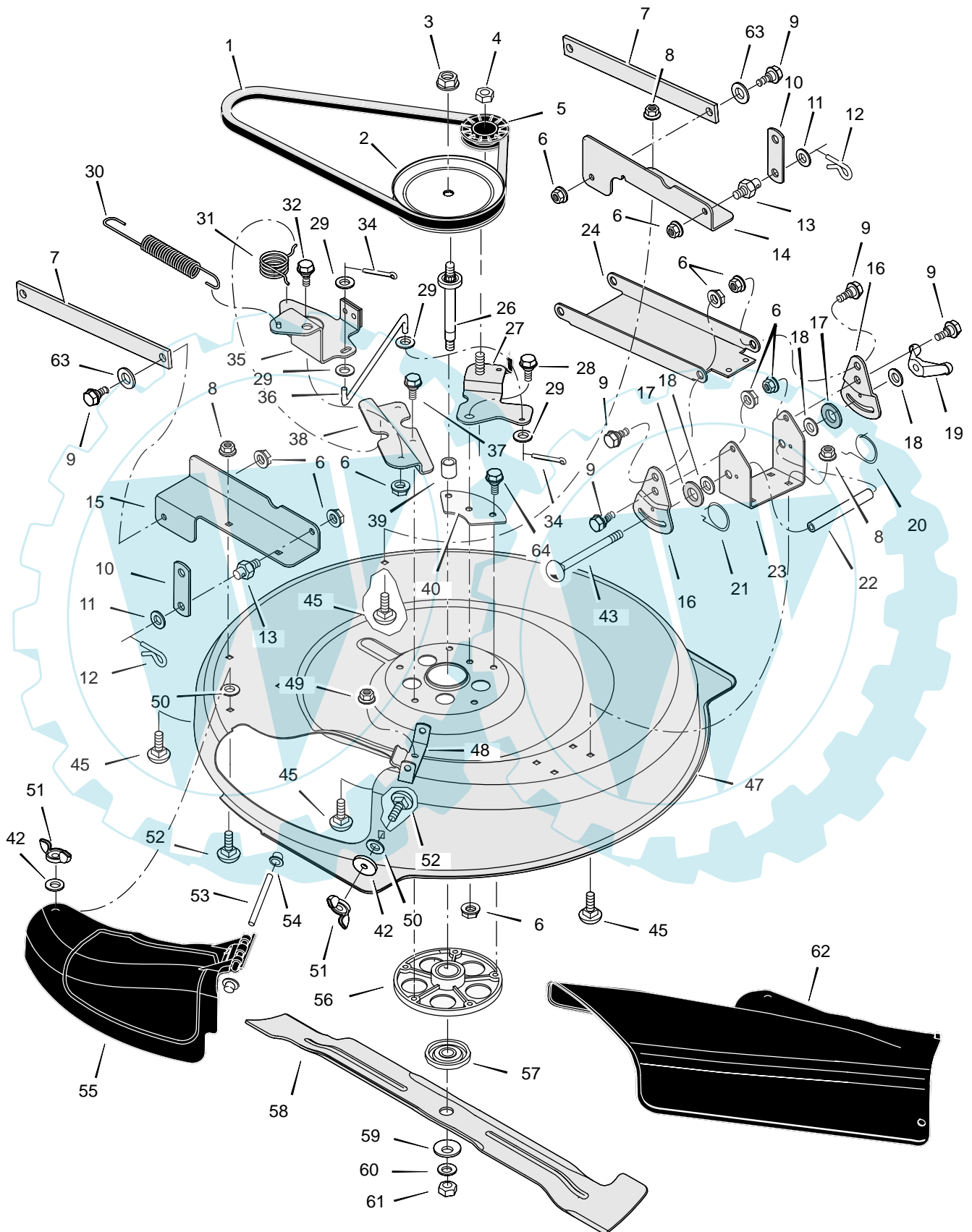


<b>Key No.</b>	<b>Description</b>	<b>Part No.</b>	<b>Key No.</b>	<b>Description</b>	<b>Part No.</b>
1	Grip, Lift Lever	092697	16	Screw, Guide	093349
2	Lever, Lift	1401117	17	Nut, Flange	015x79
3	Spring, Extension	165x154	18	Nut, Flange	015x84
4	Pad, Friction	094137	19	Spring, Leaf	1401147
5	Washer	017x45	20	Hanger, Front	1401040E701
6	Wingnut	095004	21	Lever, PTO	1401116
7	Link, Lift	1401033E701	22	Screw	0025X2
8	Tube, Spacer	1401096	23	Grip, PTO	094198
9	Pin, Hair	0031x4	24	Bracket, PTO	1401199E701
10	Bolt, Carriage	002x93	25	Bolt, Shoulder	009x42
11	Bracket, Front Hanger Pivot	1401030E701	26	Spring, Extension	165x157
12	Pin, Front Hanger	1401118	27	Spring, Extension	165x92
13	Screw	26x267	30	Plate, Reinforcement	1401260
14	Arm Assembly, Lifter	1401129E701	31	Screw	26x267
15	Washer	17x206			



MODEL 309029x51B

REPAIR PARTS  
MOWER HOUSING



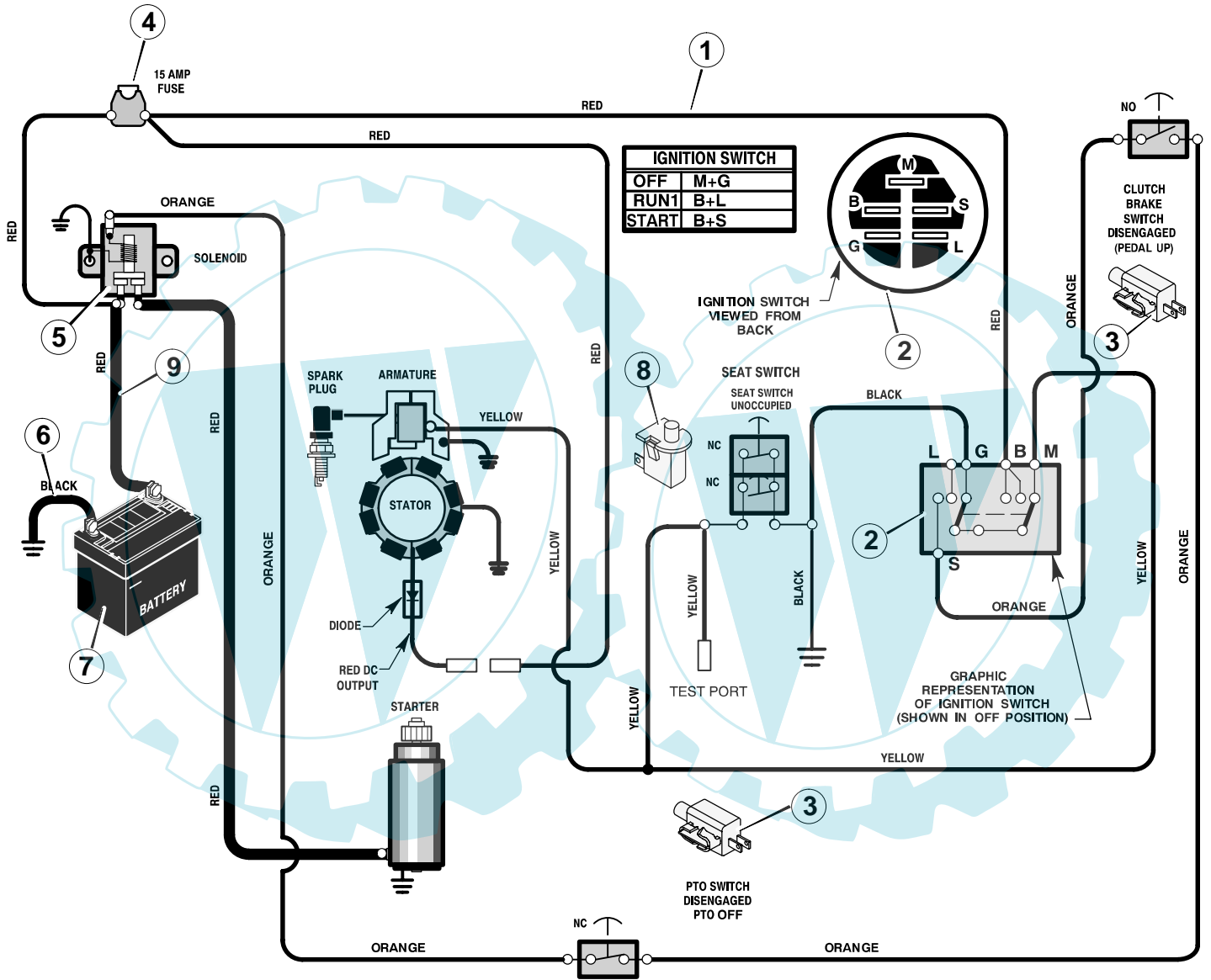
# MODEL 309029x51B

# REPAIR PARTS MOWER HOUSING

Key No.	Part No.	Description	Key No.	Part No.	Description
1	37x111	Belt, Blade Drive	32	009x42	Bolt, Shoulder
2	1401092	Pulley, Input	34	030x20	Pin, Cotter
3	15x140	Locknut	35	1401185E701	Arm Assembly, Brake
4	015x98	Nut, Flange	36	1401119	Link, Idler Arm
5	1401252	Pulley, Idler	37	0025x7	Bolt
6	015x84	Nut, Flange	38	1401052E701	Bracket, Brake Mounting
7	1401031E701	Arm, Rear	39	1401094	Spacer, Jackshaft
8	015x79	Nut, Flange	40	1401259 Z	Plate, Idler Mounting
9	009x58	Bolt, Shoulder	42	019x45	Washer
10	1401033E701	Link, Lift	43	002x94	Bolt, Carriage
11	17x102	Washer	45	002x53	Bolt, Carriage
12	0031x4	Pin, Hair	47	1401036E701	Housing, Blade
13	094067	Pin, Threaded Shoulder	48	1401106E701	Hinge, Mulching Cover
14	1401047E701	Bracket, Left Rear	49	015x88	Nut, Flange
15	1401235E701	Bracket, Right Rear	50	028x76	Nut, Speed
16	1401038E701	Plate, Adjustment	51	014x86	Wingnut
17	094137	Pad, Friction	52	002x74	Bolt, Carriage
18	017x45	Washer	53	091767 Z	Rod, Chute Deflector
19	095004	Wingnut	54	028x23	Cap, Push
20	166x43	Spring, Left Torsion	55	1401080	Cover, Mulch
21	166x42	Spring, Right Torsion	56	1401275	Mandrel Housing
22	1401095	Tube, Spacer	57	1001035	Adapter, Blade
23	1401037E701	Bracket, Deck	58	1401079E701	Blade
24	1401040E701	Hanger, Front	59	17x166	Washer, Cup
26	1401065	Shaft, Splined	60	17x165	Washer
27	1401258E701	Arm Assembly, Idler	61	15x100	Nut, Blade Mount
28	009x39	Bolt, Shoulder	62	1401081	Deflector, Chute
29	017x47	Washer	63	17X120	Bolt, Carriage
30	165x157	Spring, Extension	64	0025X7	Bolt
31	166x46	Spring, Torsion	1-64	7601035	Complete Mower Deck Assy.

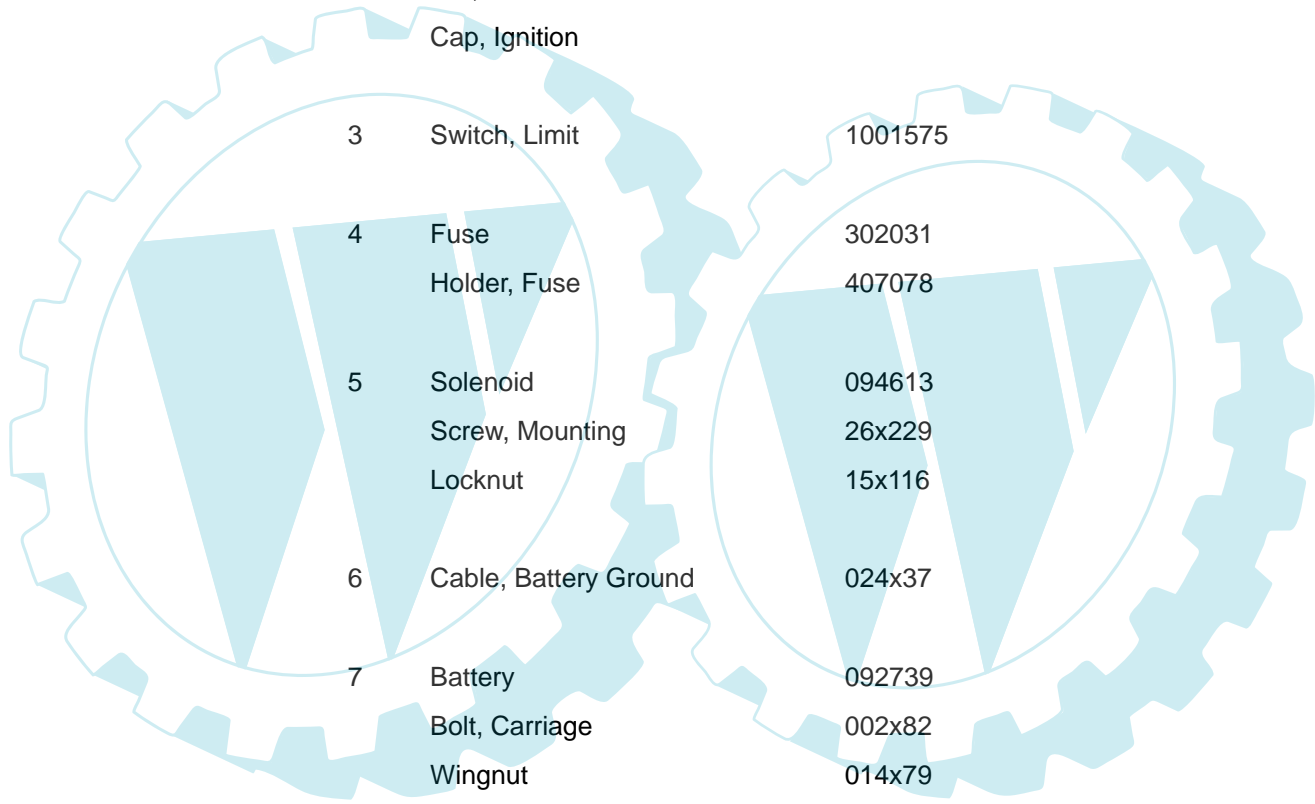
# MODEL 309029x51B

# REPAIR PARTS ELECTRICAL SYSTEM



**MODEL 309029x51B**

**REPAIR PARTS  
ELECTRICAL SYSTEM**



Key No.	Description	Part No.
1	Harness, Chassis Wire	250x115
2	Switch, Ignition	1401149
	Key, Ignition	327349
	Nut, Hex	
	Cap, Ignition	
3	Switch, Limit	1001575
4	Fuse	302031
	Holder, Fuse	407078
5	Solenoid	094613
	Screw, Mounting	26x229
	Locknut	15x116
6	Cable, Battery Ground	024x37
7	Battery	092739
	Bolt, Carriage	002x82
	Wingnut	014x79
8	Switch, Seat Sensor	094159
9	Cable, Red Batery	024x24
	Boot, Positive Terminal	690604