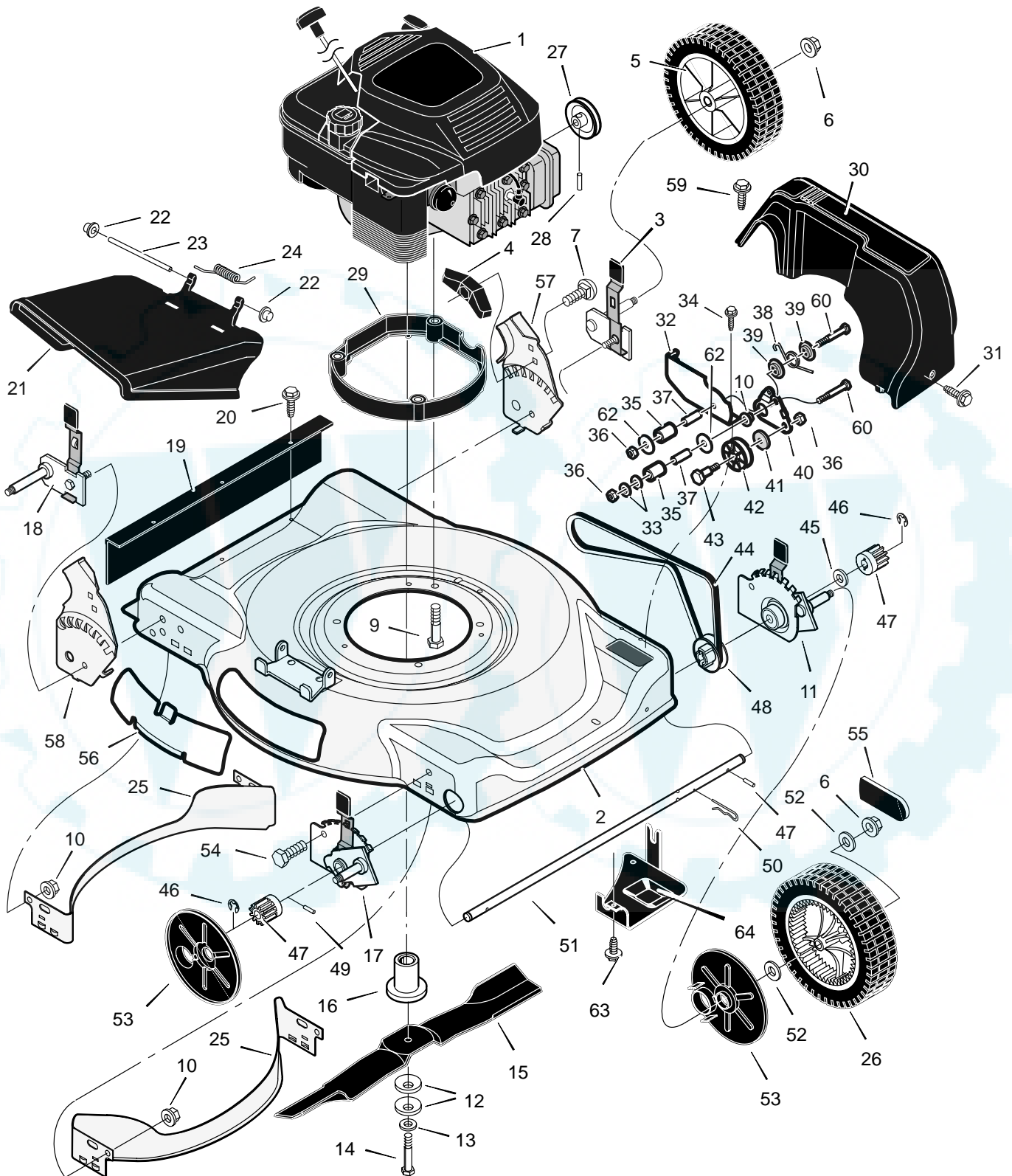


MODEL 22615X14A

REPAIR PARTS



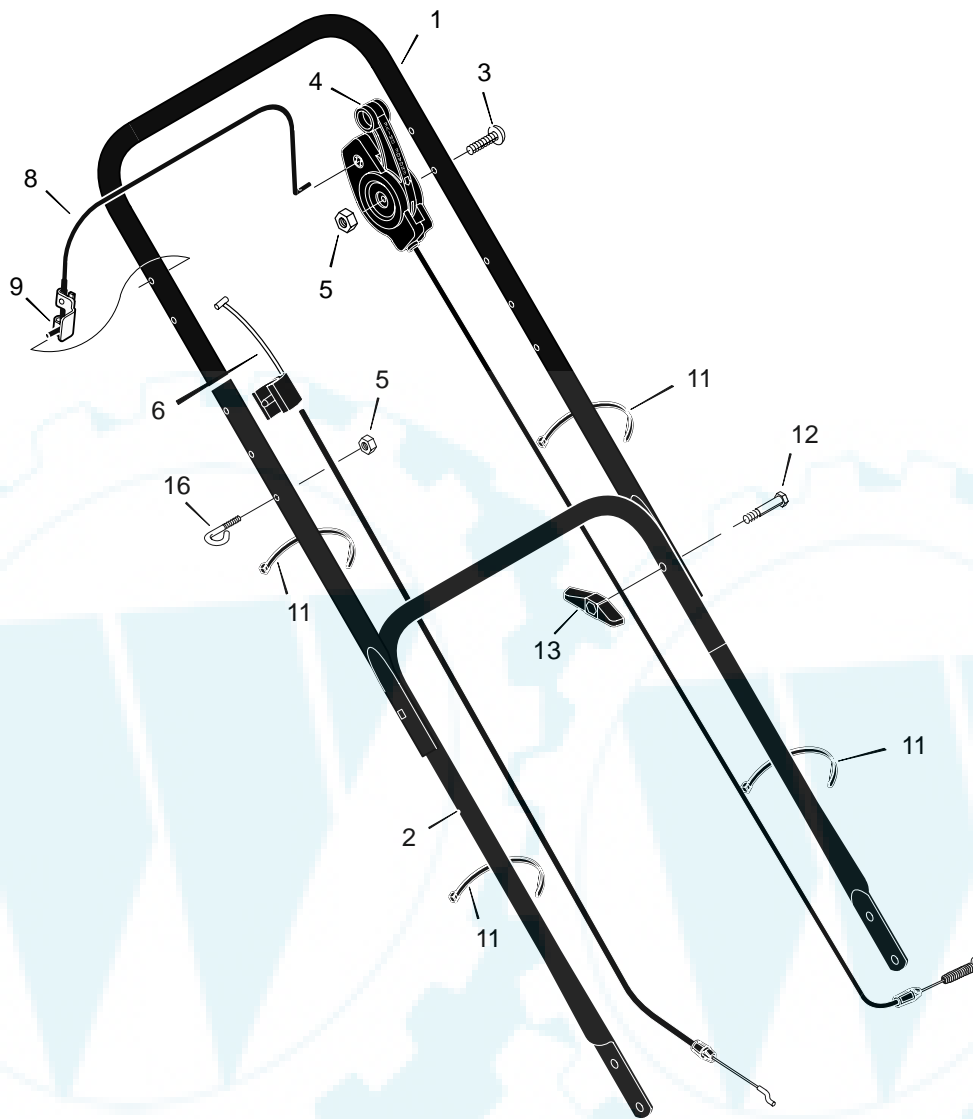
MODEL 22615X14A

REPAIR PARTS

| KEY NO. | DESCRIPTION | PART NO. | KEY NO. | DESCRIPTION | PART NO. |
|---------|------------------------------|-------------|---------|-------------------------|-------------|
| 1 | Engine * | _____ | 34 | Screw | 26x263 |
| 2 | Housing | 776023 | 35 | Idler, Backside | 672754 |
| 3 | Height Adjuster, Left Rear | 672641 | 36 | Locknut | 15x43 |
| 4 | Knob | 71495 | 37 | Bearing | 71793 |
| 5 | Wheel and Tire, Rear | 71132 | 38 | Spring | 166x45 |
| 6 | Locknut, Flange | 15x84 | 39 | Spacer | 71789 |
| 7 | Bolt, Carriage | 2x81 | 40 | Arm, Pivot | 1101121 Z |
| 9 | Bolt, Engine | 25x11 | 41 | Spacer | 71788 |
| 10 | Nut | 15x68 | 42 | Pulley, Idler | 71779 |
| 11 | Height Adjuster, Left Front | 672643 | 43 | Bolt, Shoulder | 9x50 |
| 12 | Washer, Belleville | 17x137 | 44 | Belt, Briggs & Stratton | 37x100 |
| 13 | Washer | 17x124 | 45 | Washer | 17x186 |
| 14 | Bolt, Hex | 1x153 | 46 | Ring, Retainer | 11x16 |
| 15 | Blade, Mulcher | 1101120E701 | 47 | Gear, Pinion | 71792 |
| 16 | Adapter, Blade | 672503 | 48 | Pulley | 71791 |
| 17 | Height, Adjuster, Right Frt. | 672642 | 49 | Pin, Drive | 43629 |
| 18 | Height, Adjuster, Right Rr. | 672644 | 50 | Pin, Hair | 31x9 |
| 19 | Guard, Rear | 672738 | 51 | Axle | 672508 |
| 20 | Screw | 26x245 | 52 | Washer | 17x169 |
| 21 | Deflector, Chute | 672421 | 53 | Cover, Dust | 71780 |
| 22 | Push-On Cap | 28x42 | 54 | Bolt | 1x85 |
| 23 | Pin, Pivot | 215x11 Z | 55 | Hub Cap | 43615 |
| 24 | Spring | 166x5 | 56 | Plate, Mulch | 672422 Z |
| 25 | Baffle | 672744E701 | 57 | Bracket, Left Handle | 672335E700 |
| 26 | Wheel and Tire, Drive | 71133 | 58 | Bracket, Right Handle | 672334E700 |
| 27 | Pulley | 71434 | 59 | Screw | 26x289 |
| 28 | Pin, Spring | 32x64 | 60 | Bolt | 1x120 |
| 29 | Base, Engine | 672671 | 62 | Washer | 17x45 |
| 30 | Cover, Belt (Black) | 1101025 | 63 | Screw | 26x288 |
| 31 | Screw | 26x259 | 64 | Shield, Debris | 1101026E701 |
| 32 | Bracket, Idler Support | 672751 Z | - | Book, Instruction | F-000503L |
| 33 | Washer | 17x102 | | | |

MODEL 22615X14A

REPAIR PARTS



| | | | | | |
|---|-----------------------|-----------|----|---------------------|------------|
| 1 | Handle, Upper (Black) | 71581E701 | 8 | Lever, Stop | 672879E701 |
| 2 | Handle, Lower (Black) | 71137E701 | 9 | Bracket, Stop Lever | 43628BC |
| 3 | Bolt | 25x14 | 11 | Fastener, Cable | 71372 |
| 4 | Control, Drive | 672877 | 12 | Bolt | 2x77 |
| 5 | Locknut | 15x116 | 13 | Knob | 71294 |
| 6 | Cable, Stop | 1101144 | 16 | Guide, Rope | 71530 |