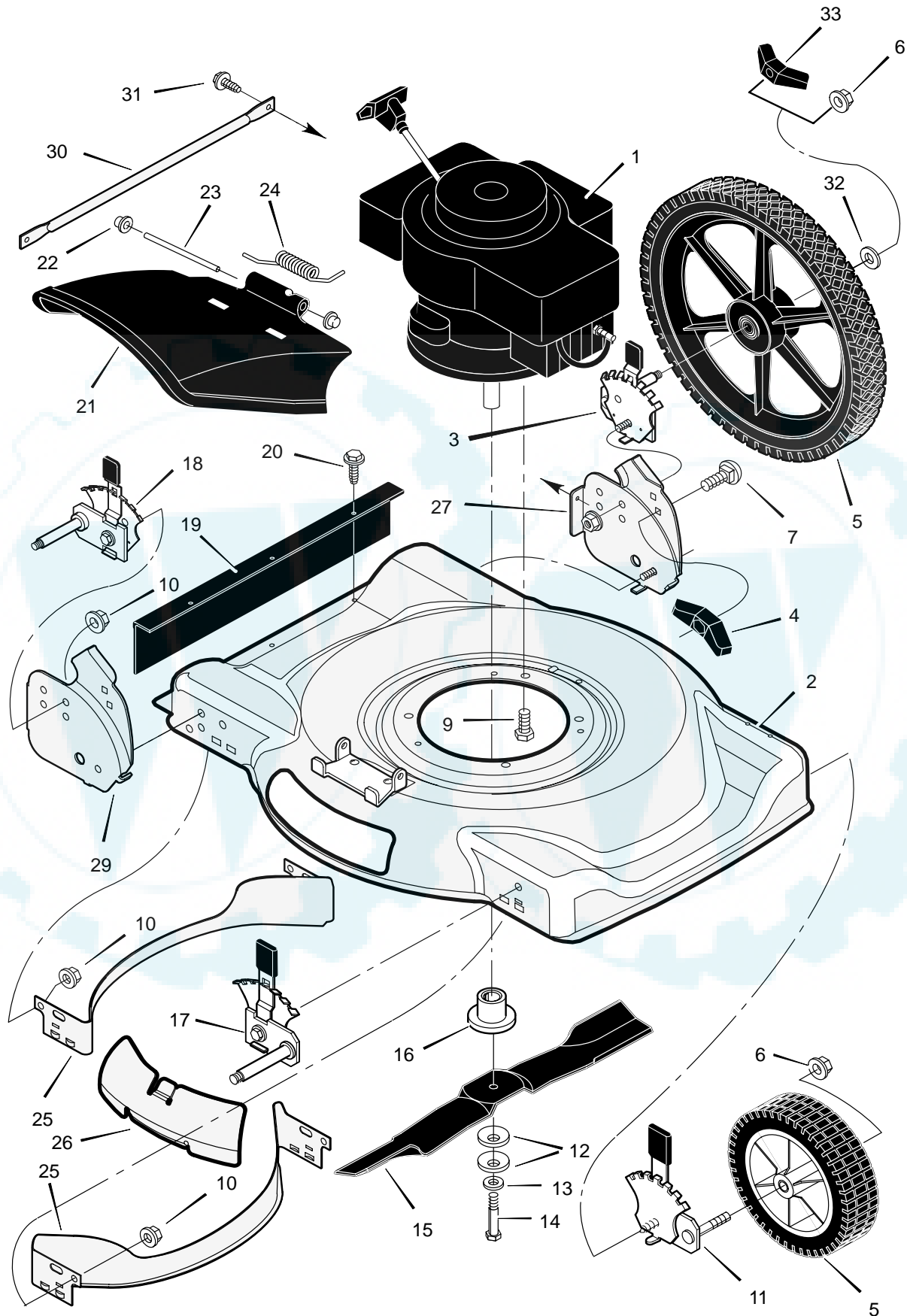


MODEL 22506A

REPAIR PARTS



MODEL 22506A

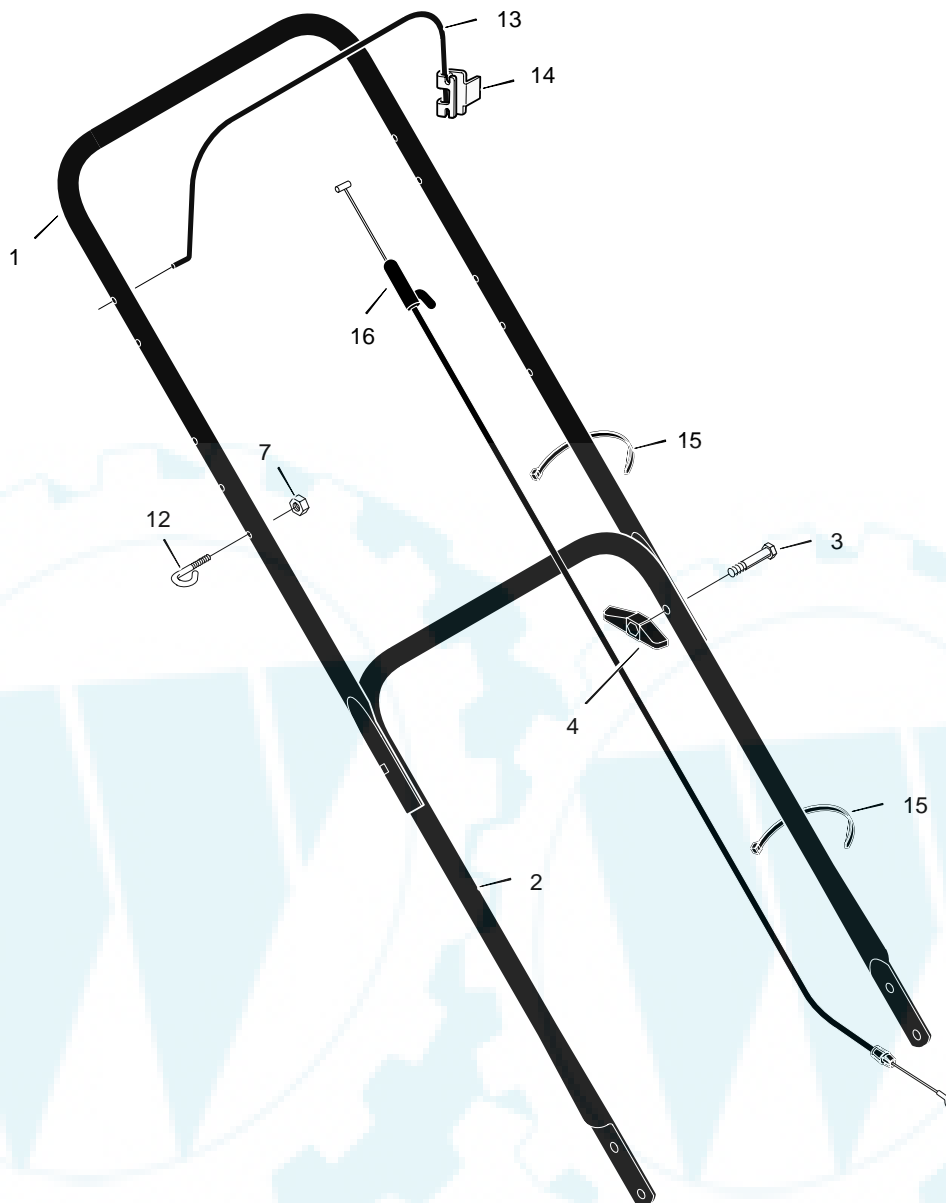
REPAIR PARTS

KEY NO.	DESCRIPTION	PART NO.
1	Engine ‡	_____
2	Housing	776024
3	Height Adjuster, Left Rear	672645
4	Knob	71495
5	Wheel and Tire, Front Wheel and Tire, Rear	672060 672074
6	Locknut, Flange	15x84
7	Bolt, Carriage	2x81
9	Bolt, Engine	25x6
10	Nut	15x68
11	Height Adjuster, Left Front	672601
12	Washer, Belleville	17x137
13	Washer	17x124
14	Bolt, Hex	1x142
15	Blade	672735E701
16	Adapter, Blade	71056
17	Height Adjuster, Right Front	672600
18	Height Adjuster, Right Rear	672644A
19	Guard, Rear	672738
20	Screw	26x245
21	Deflector, Chute	672421
22	Push-On Cap	28x42
23	Pin, Pivot	215x11 Z
24	Spring	166x5
25	Baffle	672744E701
26	Plate, Mulcher	672422 Z
27	Bracket, Left Handle	672427E700
29	Bracket, Right Handle	672426E700
30	Brace	672728E700
31	Screw	26x263
32	Washer	17x91 Z
33	Knob, Axle	672449
-	Book, Instruction	F-99401

‡ Parts are available from an Authorized Engine Service Center. See "Engines, Gasoline" or "Gasoline Engines" in the yellow pages of the telephone directory.

MODEL 22506A

REPAIR PARTS



KEY NO.	DESCRIPTION	PART NO.
1	Handle, Upper (Black)	672666E701
2	Handle, Lower (Black)	71137E701
3	Bolt	2x77
4	Knob, Plastic	71294
7	Locknut	15x116

KEY NO.	DESCRIPTION	PART NO.
12	Guide, Rope	71530
13	Engine Stop Lever	43653E700
14	Bracket, Stop Lever	43628 BC
15	Fastener, Cable	71372
16	Engine Stop Cable	672558