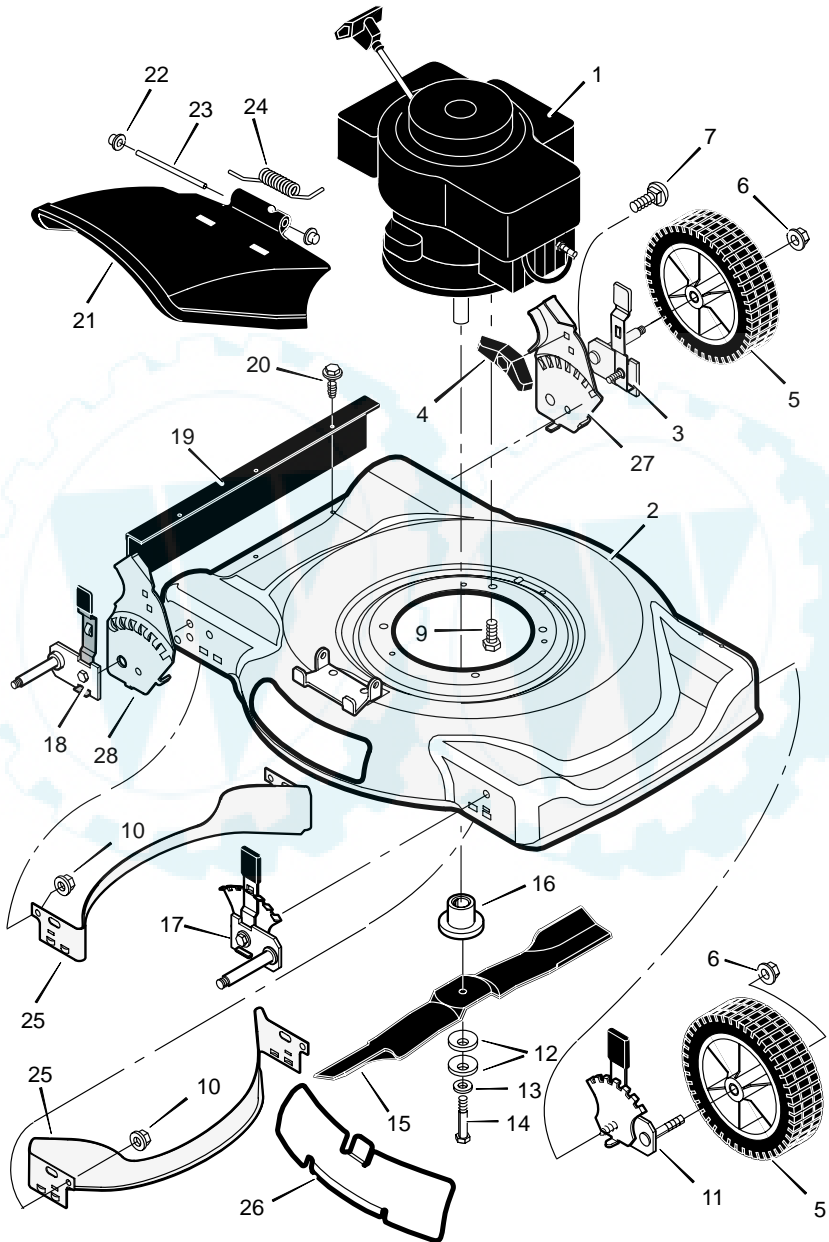


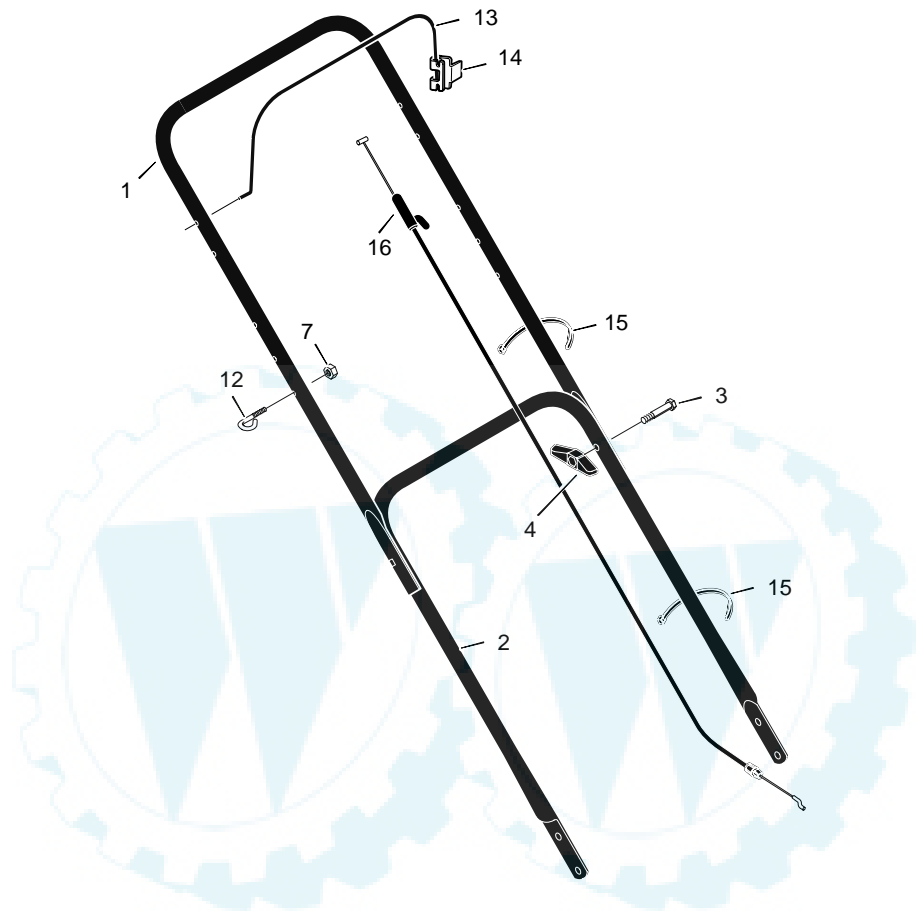
MODEL 22415x194A



MODEL 22415x194A

KEY NO.	DESCRIPTION	PART NO.
1	Engine	_____
2	Housing	776022
3	Height Adjuster, Left Rear	672641
4	Knob	71495
5	Wheel and Tire	672060
6	Locknut, Flange	15x84
7	Bolt, Carriage	2x81
9	Bolt, Engine	25x6
10	Nut	15x68
11	Height Adjuster, Left Front	672639
12	Washer, Belleville	17x137
13	Washer	17x124
14	Bolt, Hex	1x142
15	Blade, Mulcher	71849E701
16	Adapter, Blade	71056
17	Height Adjuster, Right Front	672638
18	Height Adjuster, Right Rear	672640
19	Guard, Rear	672738
20	Screw	26x245
21	Deflector, Chute	672421
22	Push-On Cap	28x42
23	Pin, Pivot	215x11 Z
24	Spring	166x5
25	Baffle	672744E701
26	Plate, Mulcher	672422 Z
27	Bracket, Left Handle	672335E700
28	Bracket, Right Handle	672334E700
-	Book, Instruction	F-99401

MODEL 22415x194A



KEY NO.	DESCRIPTION	PART NO.	KEY NO.	DESCRIPTION	PART NO.
1	Handle, Upper (Black)	672666E701	12	Guide, Rope	71530
2	Handle, Lower (Black)	71137E701	13	Engine Stop Lever	43653E700
3	Bolt	2x77	14	Bracket, Stop Lever	43628 BC
4	Knob, Plastic	71294	15	Fastener, Cable	71372
7	Locknut	15x116	16	Engine Stop Cable	672560