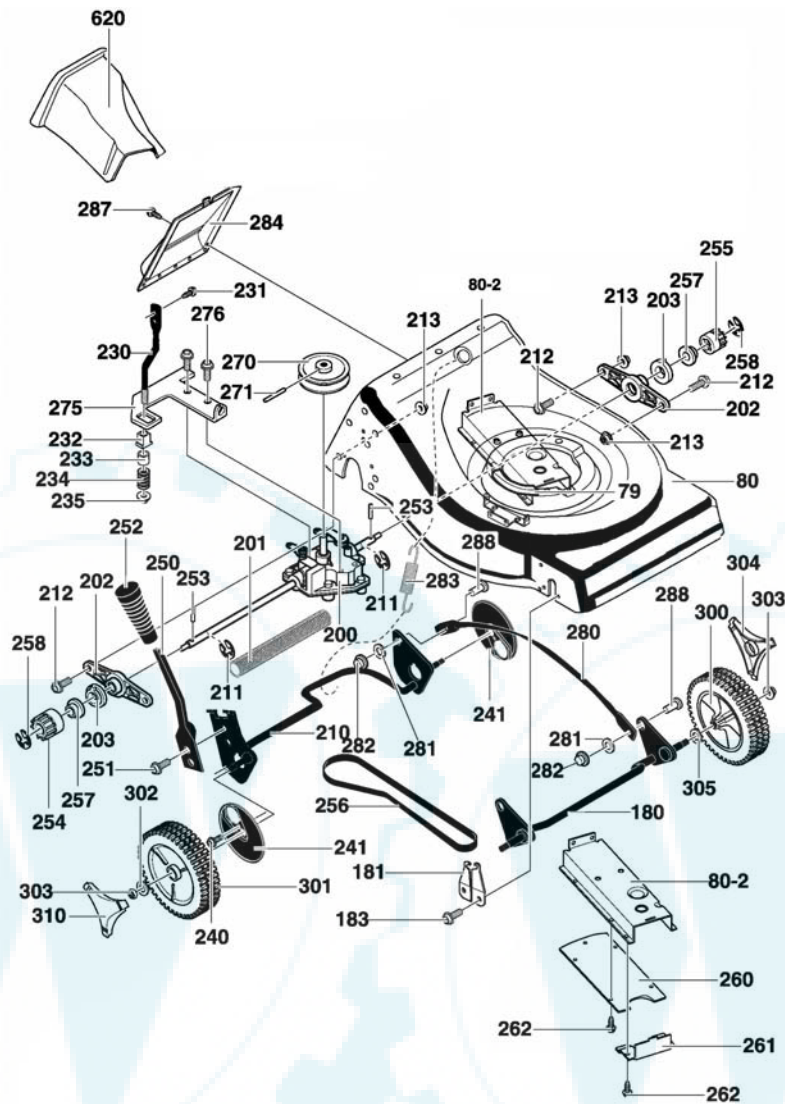


MODEL 21997x50A

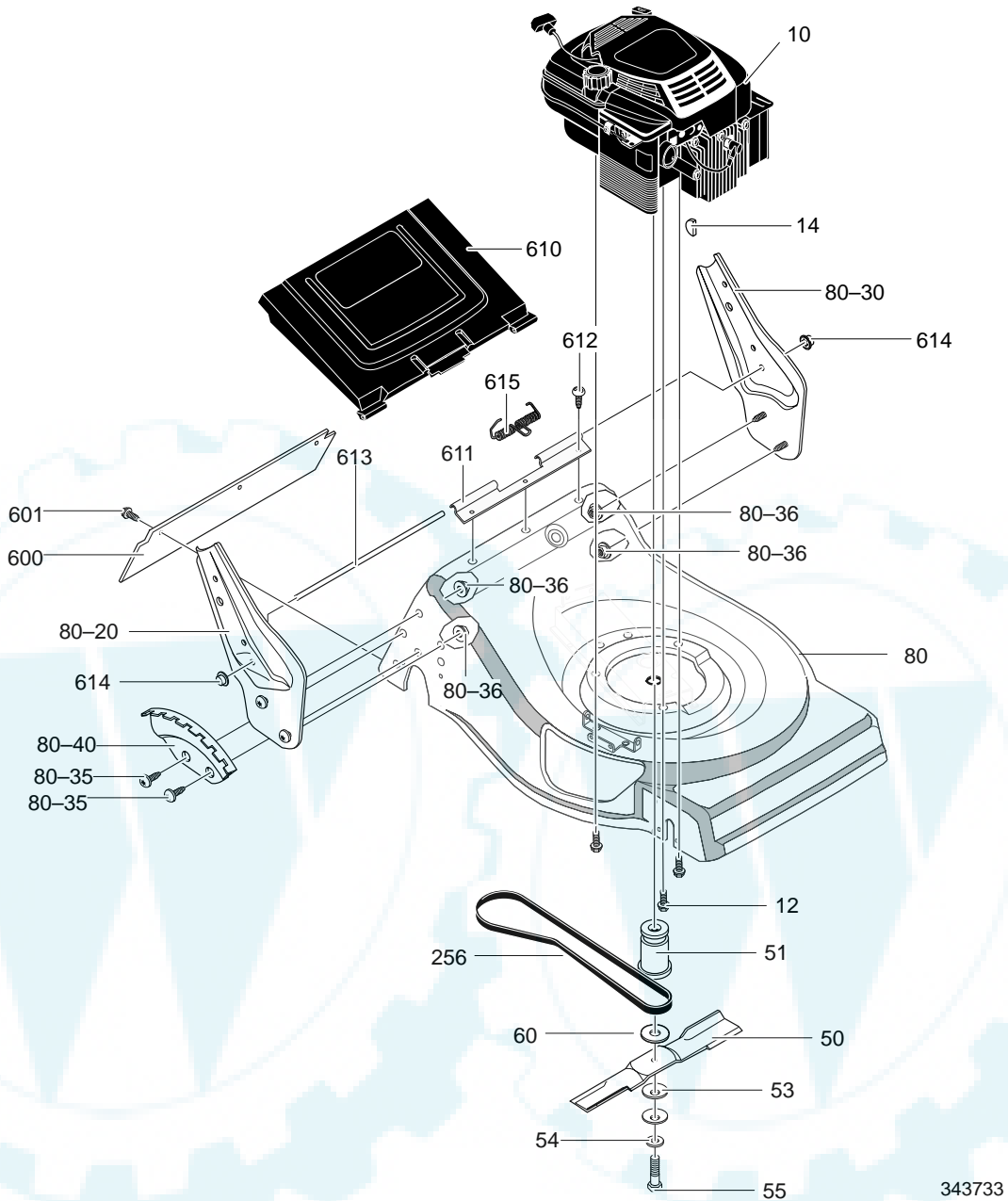
REPAIR PARTS



79	SEAL, FOAM	712012	234	SPRING	710327	275	BRACKET, CABLE	672819
80	ASSY, FRAME	672274-860	235	NUT, 5/16-18	15x88	276	SCREW	710264
80-2	GUARD, BELT	71238	240	SCREW	710270	280	LINK, LIFTER 21	43720-860
180	CROSSBAR, FRONT	71152-860	241	DUST COVER	643616	281	NUT, PUSH ON	712072
181	BUSHING	672279	250	LEVER, SPRING	672278	282	PUSH ON CAP	28x42
183	SCREW	710270	251	SCREW	710274	283	SPRING, EXTENSION	711459
200	TRANSMISSION	672270	252	KNOB, HEIGHT ADJ	671297	284	COVER, REAR	71246-860
201	SHIELD, AXLE	643649	253	PIN, DRIVE	643629	287	SCREW	711863
202	SUPPORT, AXLE	671411	254	GEAR, PINION RIGHT	671904	288	PIN, CLEVIS	711542
203	BEARING, LIFTER	643788	255	GEAR, PINION LEFT	671903	300	TIRE & RIM	672802
210	ASSY, CROSSBAR	672277-860	256	BELT, V	672271	301	WHEEL, DRIVE	672440
211	E-RING	20864	257	WASHER, FLAT	710254	302	WASHER, FLAT	710252
212	SCREW	180077	258	E-RING	20864	303	NUT	15x84
213	NUT	15x88	260	COVER, BELT GUARD	43770-860	304	HUB CAP	672445
230	SUPPORT, SPRING	71481	261	COVER, FRONT BELT	71239-860	305	SPRING WASHER	20x3
231	SCREW	305850	262	SCREW	710273	310	HUB CAP	672805
232	BUSHING	71480	270	PULLEY,	672269	620	PLUG, MULCHER	71250
233	SPACER	43844	271	PIN, SPRING	710294	—	BOOK, INSTRUCTION	F-010409M

MODEL 21997x50A

REPAIR PARTS

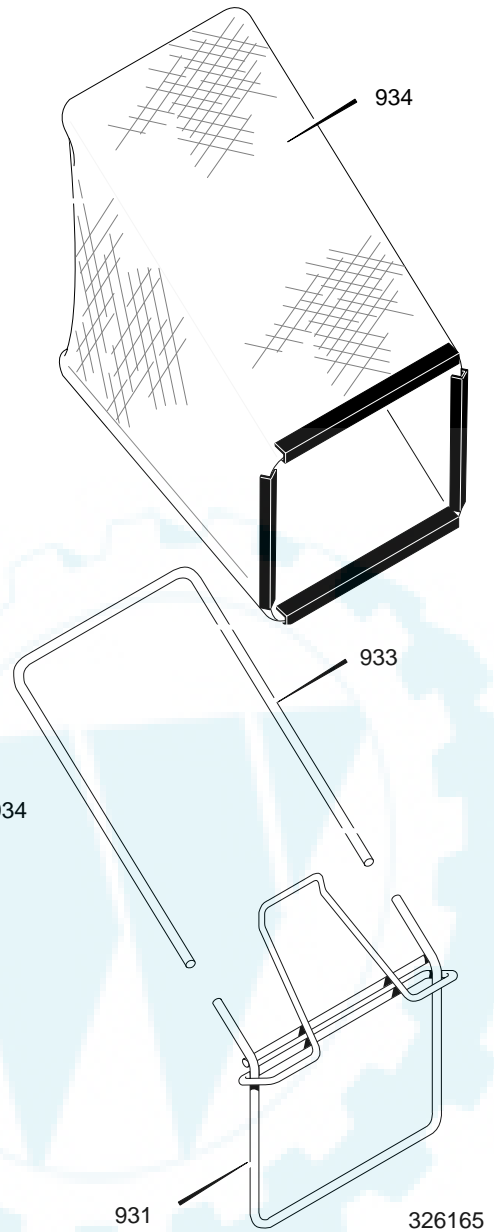
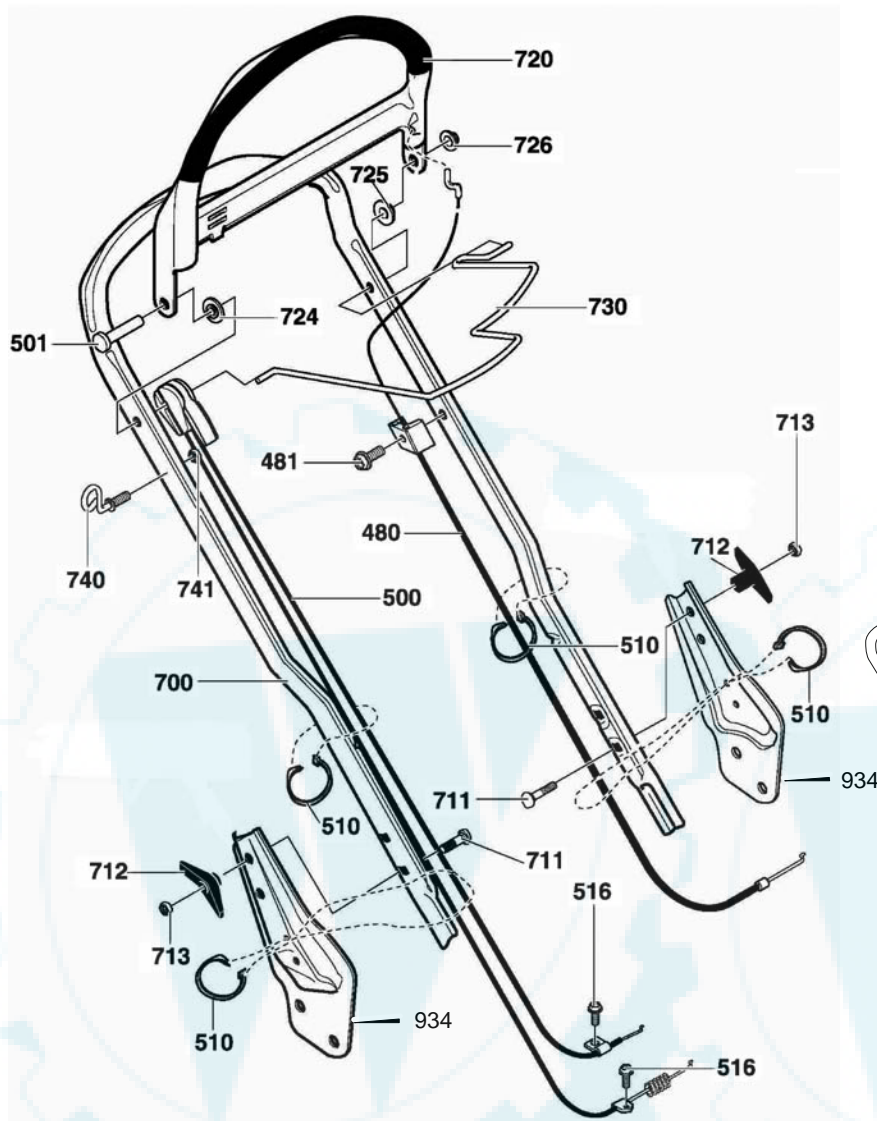


343733

10	ENGINE	—	60	SPACER	671470	600	DEFLECTOR, REAR	43640
12	SCREW	47792	80	ASSY, FRAME	672923-860	601	SCREW	710271
14	WOODRUFF KEY	2125	80-20	BRKT., HANDLE RH	672925	610	DOOR, REAR 21	71833
50	BLADE	672089	80-30	BRKT., HANDLE LH	672924	611	SPACER	672049
51	ADAPTER, BLADE	671058	80-35	SCREW	710277	612	SCREW	710273
53	WASHER	710210	80-36	NUT	710204	613	ROD, PIVOT	672282Z
54	WASHER	710207	80-40	INDEX, HEIGHT ADJ	672276	614	CAP, PUSH ON	28x42
55	SCREW	710201	256	BELT, V	672271	615	SPRING, TORSION	340823

MODEL 21997x50A

REPAIR PARTS



480	CABLE,STOP	672667	712	KNOB, T	57171	740	GUIDE, ROPE	672510
481	SCREW	710269	713	NUT	120376	741	NUT	710203
500	CABLE, DRIVE	672854	720	LEVER, STOP	672797	80-20	BRKT., HANDLE RH	672925
501	SCREW	711833	724	SPACER	672734	80-30	BRKT., HANDLE LH	672924
510	TIE, CABLE	712267	725	SPACER	672734	931	FRAME, BAGGER	672293
516	SCREW	710271	726	RETAINER	710286	933	SUPPORT, BAG	71592
700	HANDLE	672843	730	LEVER, DRIVE WIRE	672290-860	934	BAG	672574
711	BOLT	710175						