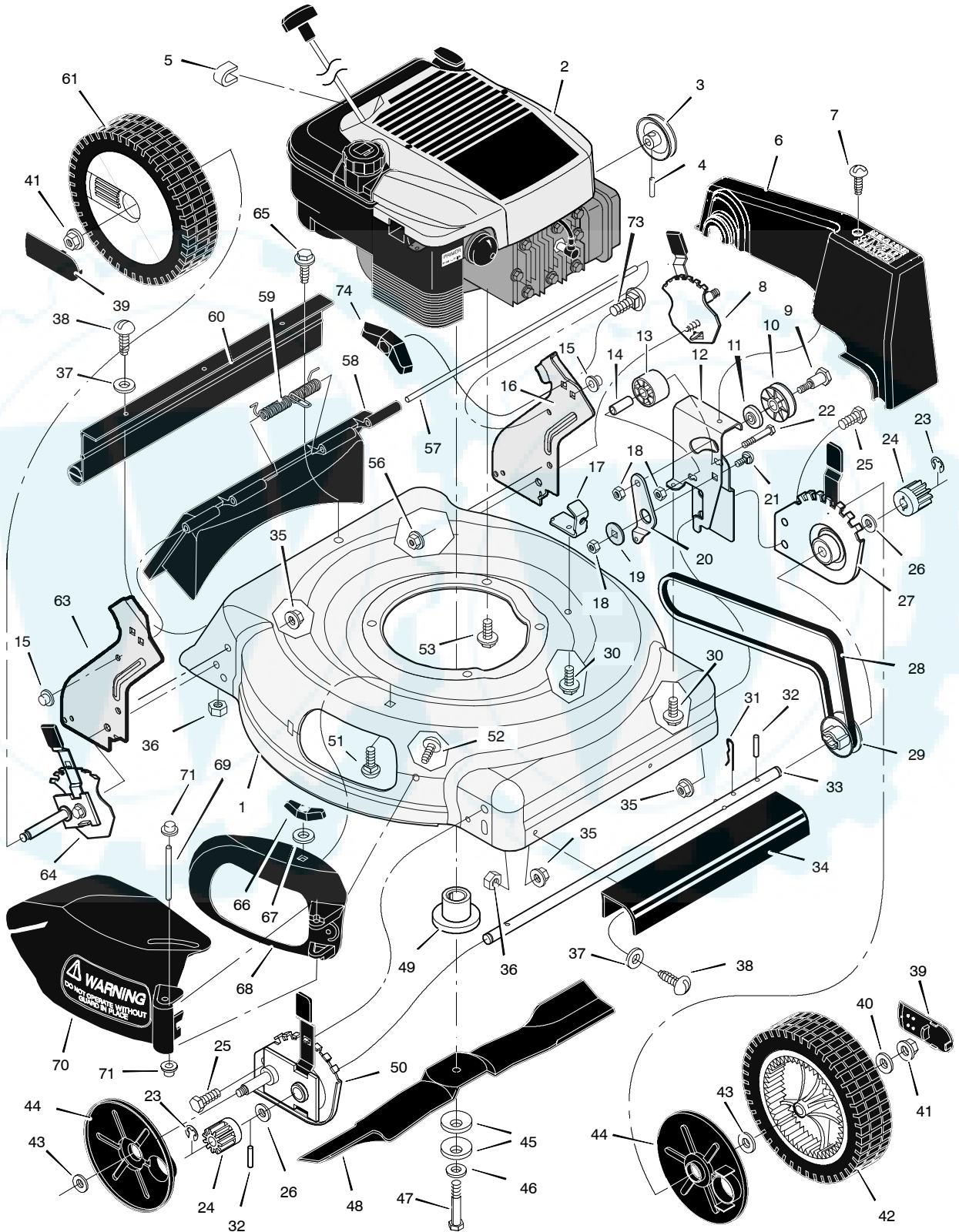


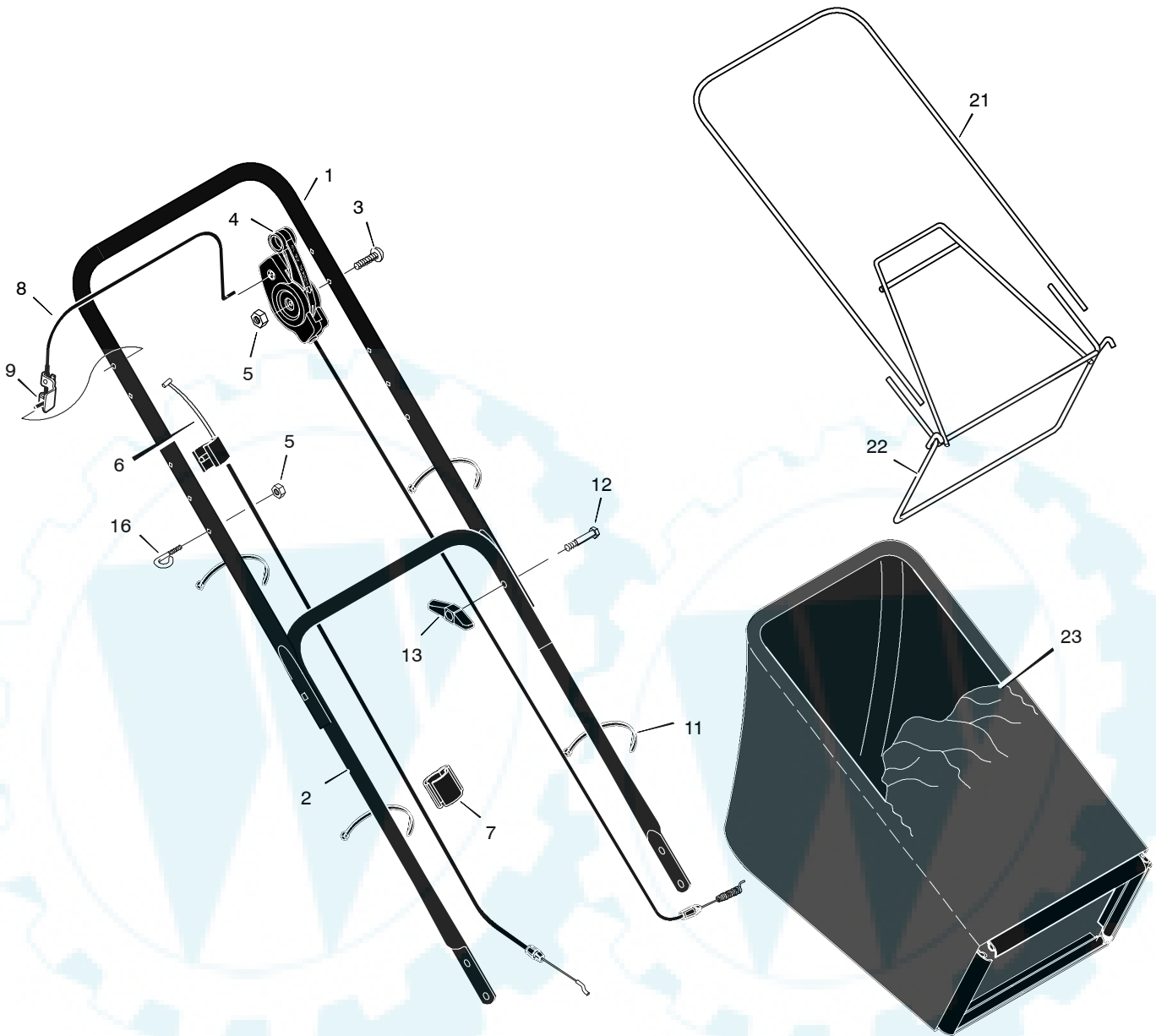
# 206310x194A



## 206310x194A

1	Housing	776155	26	Washer	17x186	50	Adjuster, Right Frt. Height	672602
2	Engine *	*	27	Adjuster, Left Frt. Height	672603	51	Bolt, Carriage	2x16
3	Pulley, Engine	71434	28	Belt	37x99	52	Screw	26x221
4	Pin, Spring	32x64	29	Pulley, Axle	71791	53	Bolt, Engine	25x6
6	Cover, Belt (Black)	671928	30	Screw	26x263	55	Washer	17x146
7	Screw	26x279	31	Pin, Hair	31x9	56	Nut, Flange	15x88
8	Adjuster, Left Rear Height	672605	32	Pin, Spring	43629	57	Rod, Pivot	215x17 Z
9	Bolt, Shoulder	9x50	33	Axle	671931	58	Door, Rear (Black)	672611
10	Pulley	71779	34	Cover, Axle (Black)	671948	59	Spring	166x44
11	Spacer	71788	35	Nut, Flange	15x68	60	Deflector, Rear	671970
12	Bracket, Idler Support	672772 Z	36	Nut, Hex	15x102	61	Wheel, Rear	71132
13	Pulley, Idler	71778	37	Washer	17x38	63	Bracket, Right Handle	1101238E700
14	Bearing	71793	38	Screw	4x21	64	Adjuster, Right Rear Hgt.	672604
15	Nut, Push	28x49	39	Cap, Hub	43615	65	Screw	26x245
16	Bracket, Left Handle	1101239E700	40	Washer	17x169	66	Wingnut	71495
17	Bracket, Cable	671934	41	Nut, Flange	15x84	67	Retainer, Push	28x64
18	Nut, Hex	15x43	42	Wheel, Drive	71133	68	Bezel (Black)	671926
19	Spacer	71789	43	Washer	17x120	69	Pin, Pivot	215x18Z
20	Arm, Idler	671936	44	Cover, Dust	71780	70	Deflector, Chute (Black)	671927
21	Bolt, Carriage	2x53	45	Washer, Belleville	17x137	71	Push On Cap	28x42
22	Bolt, Shoulder	1x81	46	Washer	17x124	73	Bolt, Carriage	2x81
23	E-Ring	11x16	47	Bolt	1x153	74	Knob	71495
24	Gear, Pinion	71792	48	Blade	672763E701	--	Instruction Book	F-010419L
25	Bolt	1x85	49	Adapter, Blade	672503			

# 206310x194A



1	Handle, Upper (Black)	671918E701	7	Fastener, Single Cable	1101352	13	Knob	71294
2	Handle, Lower (Black)	672874E701	8	Lever, Stop	672878E701	16	Guide, Rope	71530
3	Bolt	25x14	9	Bracket, Stop Lever	43628BC	21	Frame, Top	71592
4	Control, Drive	1101420	11	Fastener, Cable	71372	22	Frame Assembly	672905
5	Locknut	15x116	12	Bolt	2x77	23	Bag, Cloth	1101030
6	Cable, Stop	1101183						