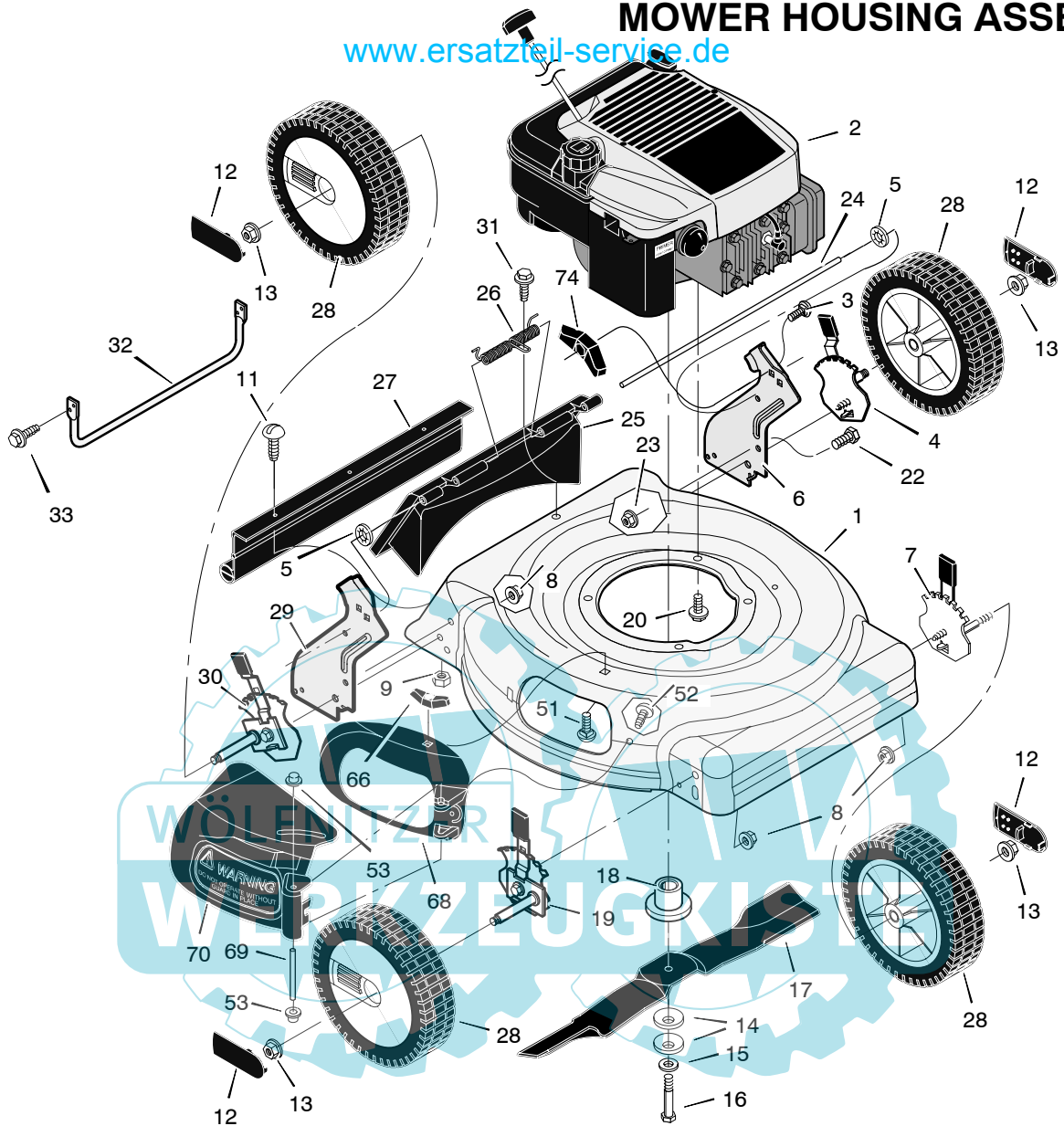


# 204110x52A

## MOWER HOUSING ASSEMBLY

[www.ersatzteil-service.de](http://www.ersatzteil-service.de)



1	776151	Housing	17	672763E701	Blade	33	26x217	Screw
2	+	Engine	18	672503	Adapter, Blade	51	002x16	Bolt, Carriage
3	002x81	Bolt, Carriage	19	672600	Adjuster, Right Front Height	52	26x221	Screw
4	672605	Adjuster, Left Rear Height	20	0025x6	Bolt, Engine	53	028x42	Push On Cap
5	028x49	Push Retainer *	22	001x45	Bolt	66	014x86	Wingnut
6	1101239E245	Bracket, Left Handle	23	015x79	Nut, Flange	--	672158	Chute Assembly **
7	672601	Adjuster, Left Front Height	24	215x17 Z	Rod, Pivot *	68	671926	Bezel (Black)
8	015x68	Nut, Flange	25	672610	Door, Rear	69	215x18 Z	Pin, Pivot
9	15x102	Nut, Hex	26	166x44	Spring *	70	671927	Deflector, Chute (Black)
11	004x21	Screw	27	671970	Guard, Rear	74	071495	Knob
12	672122	Hub Cap - Optional	28	071597	Wheel	--	F-040437L	Instruction Book
13	015x84	Nut, Flange	29	1101238E245	Bracket, Right Handle			
14	17x137	Washer, Belleville	30	672604	Adjuster, Right Rear Height			
15	17x124	Washer	31	26x245	Screw			
16	01x153	Bolt	32	671990	Guard, Rear			

+ Parts are available from the Engine manufacturer.

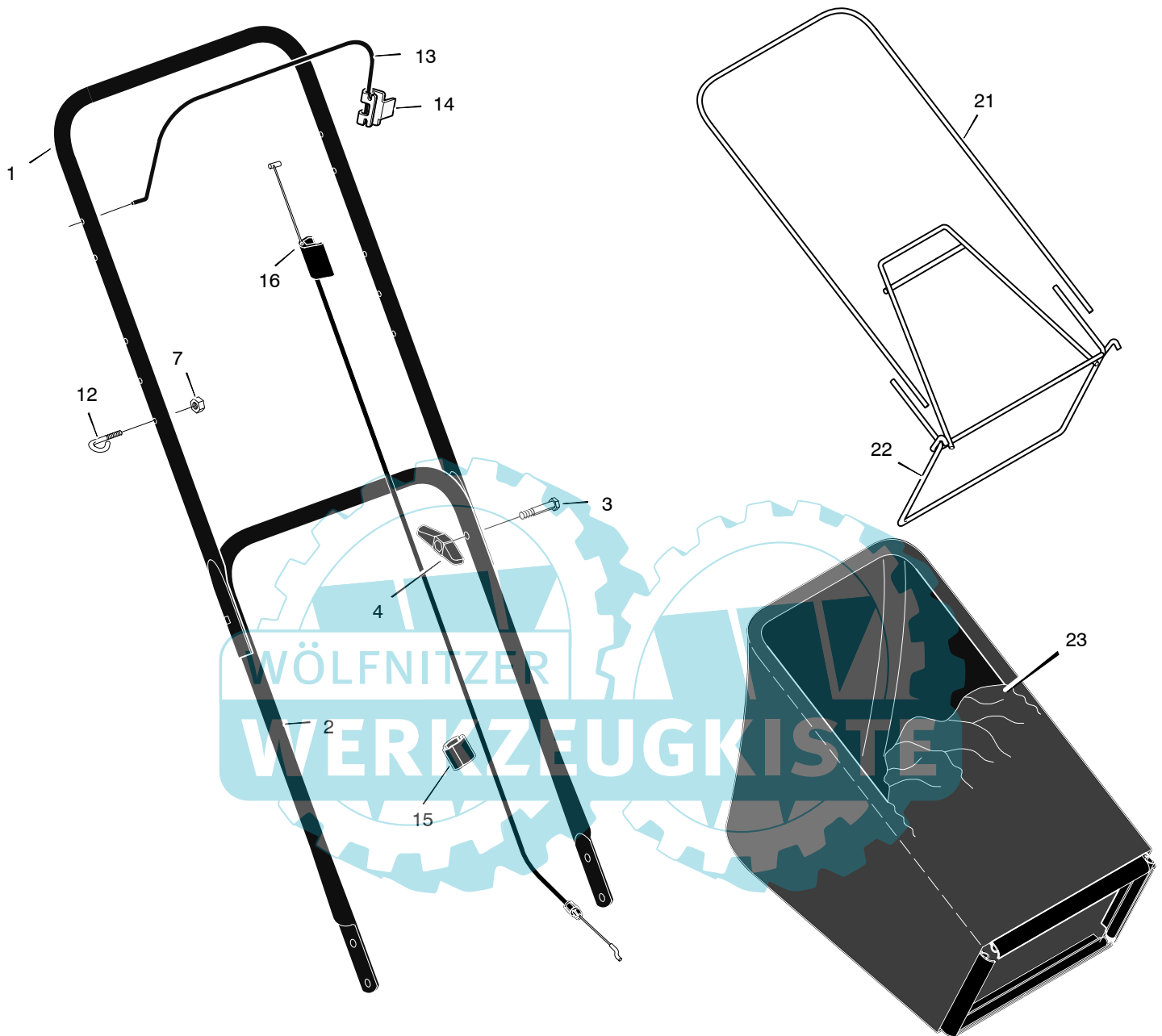
\* Included with Rear Door, Item number 25.

\*\* Included with Chute Assembly, Item 53, 68, 69, 70.

Ihr Ersatzteilspezialist im Internet

# 204110x52A HANDLE ASSEMBLY & OPTIONAL BAG KIT

[www.ersatzteil-service.de](http://www.ersatzteil-service.de)



1	1101555E701	Handle, Upper (Black)	12	071530	Guide, Rope	16	1101360	Engine Stop Cable
2	672874E701	Handle, Lower (Black)	13	671924E701	Engine Stop Lever	21	071592	Frame, Top (Optional)
3	002x77	Bolt	14	1101454	Bracket, Stop Lever	22	672905	Frame Assembly (Optional)
4	071294	Knob, Plastic	15	1101353	Fastener, Cable	23	1101032	Bag, Cloth (Optional)
7	15x116	Locknut						

Ihr Ersatzteilspezialist im Internet