

CS 350

Spare parts

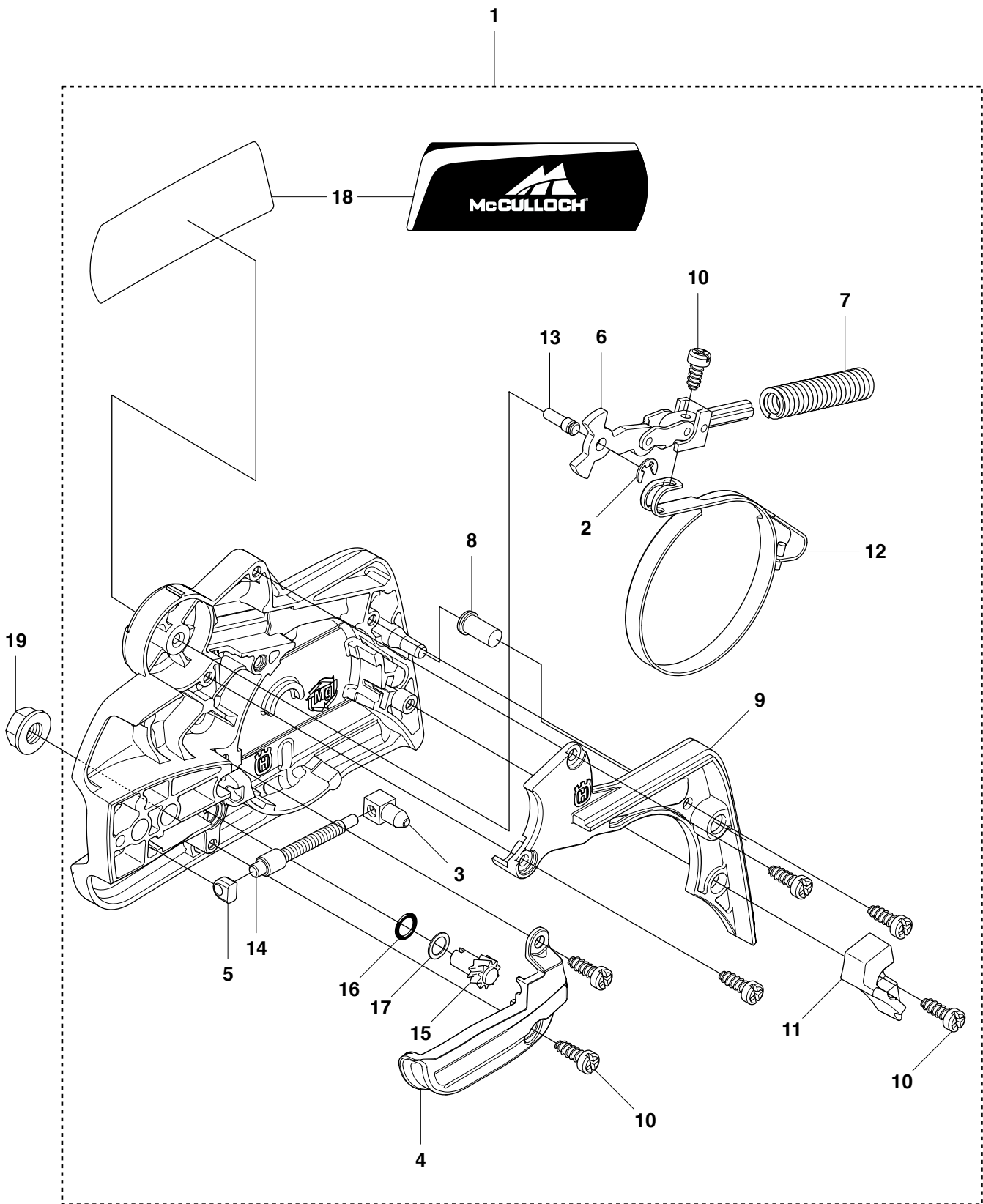
Ersatzteile

Pièces détachées

Reserve onderdelen

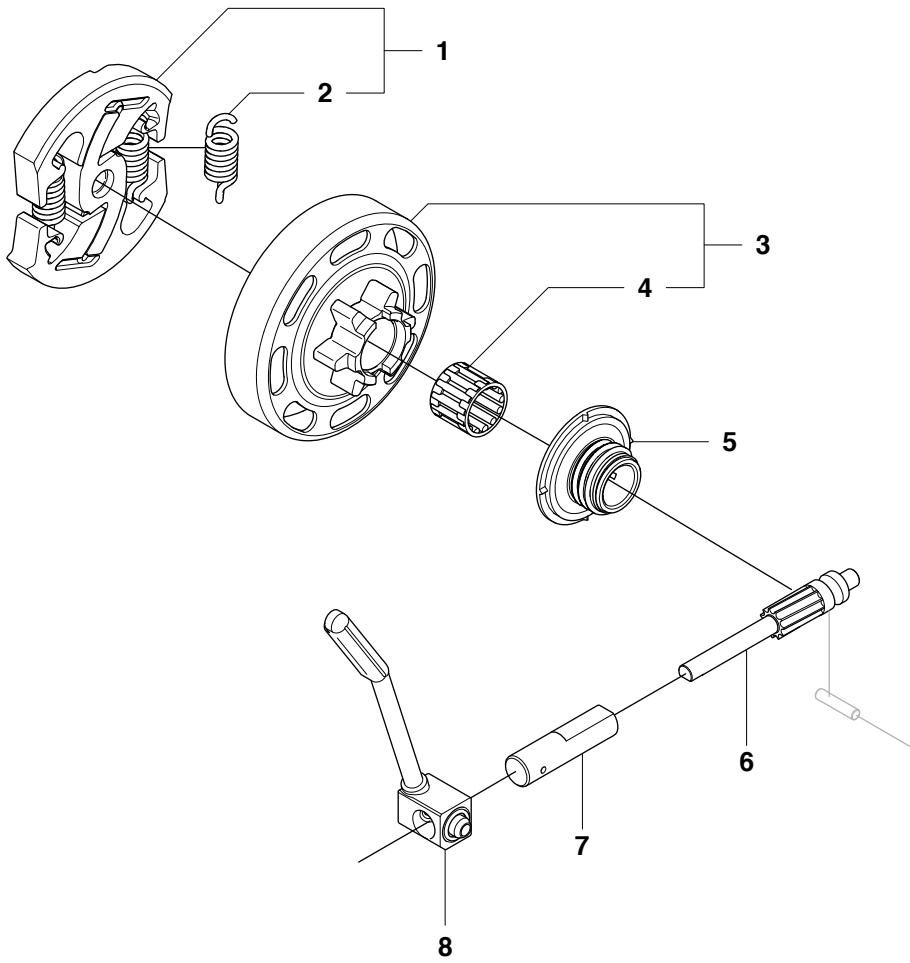
Repuestos

Reservdelar

A**CS350
CHAIN BREAK & CLUTCH COVER**

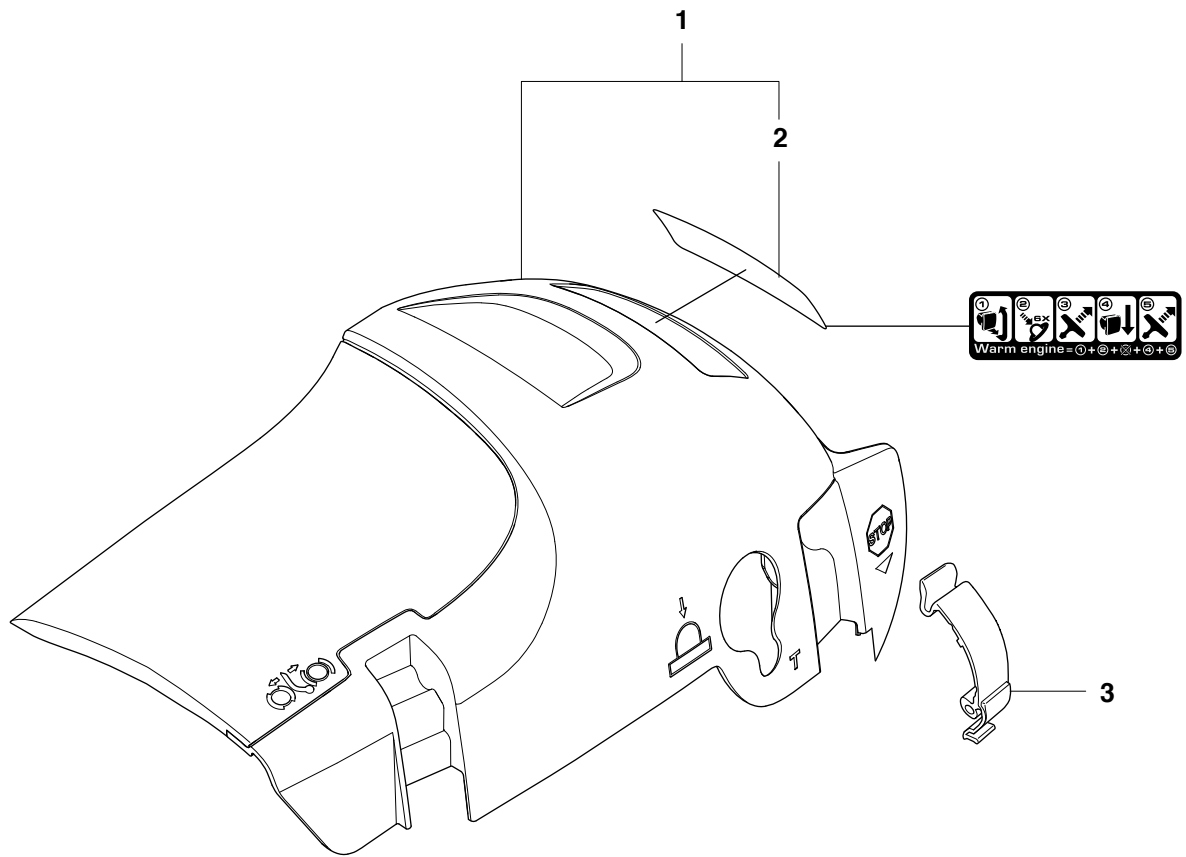
Position	Article	Quantity	Notes	Kit
1	501 38 82-07		Clutch cover assy	
2	735 31 08-20	1	E-clip	1
3	537 28 66-01	1	Pawl	1
4	540 06 33-01	1	Chain guide	1
5	537 01 74-01	1	Bearing sleeve	1
6	503 89 08-02	1	Knee joint	1
7	505 89 26-01	1	Brake spring	1
8	503 85 52-01	1	Guide bushing	1
9	544 24 85-01	1	Cover lid	1
10	503 21 70-10	7	Screw	1
11	544 25 31-01	1	Wear protection	1
12	544 30 60-01	1	Brake band assy	1
13	503 89 29-01	1	Pin	1
14	537 39 70-01	1	Worm screw	1
15	537 07 94-02	1	Worm wheel	1
16	740 48 07-02	1	O-ring	1
17	503 23 00-63	1	Washer	1
18	578 15 97-01	1	Label, clutch cover	1

B CS350
CLUTCH & OIL PUMP



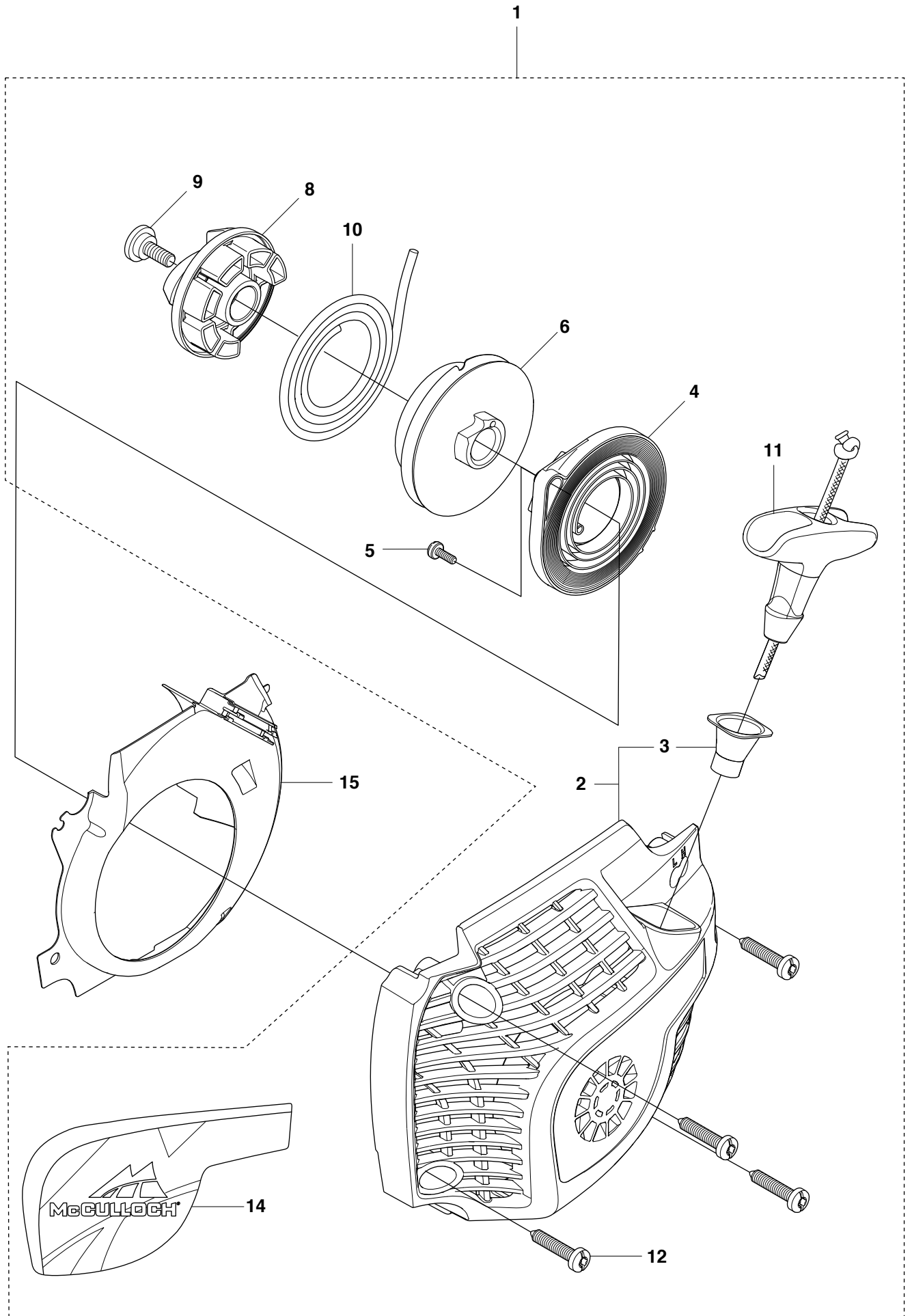
Position	Article	Quantity	Notes	Kit
1	575 56 80-01	1	Clutch assy	
2	574 71 88-01	2	Clutch spring	1
3	578 25 71-01	1	Clutch drum assy	
4	503 53 92-01	1	Needle bearing	3
5	544 21 24-01	1	Worm gear	
6	540 05 79-01	1	Pump piston	
7	537 15 48-01	1	Pump cylinder	
8	544 08 42-01	1	Oil hose	

C CS350
CYLINDER COVER



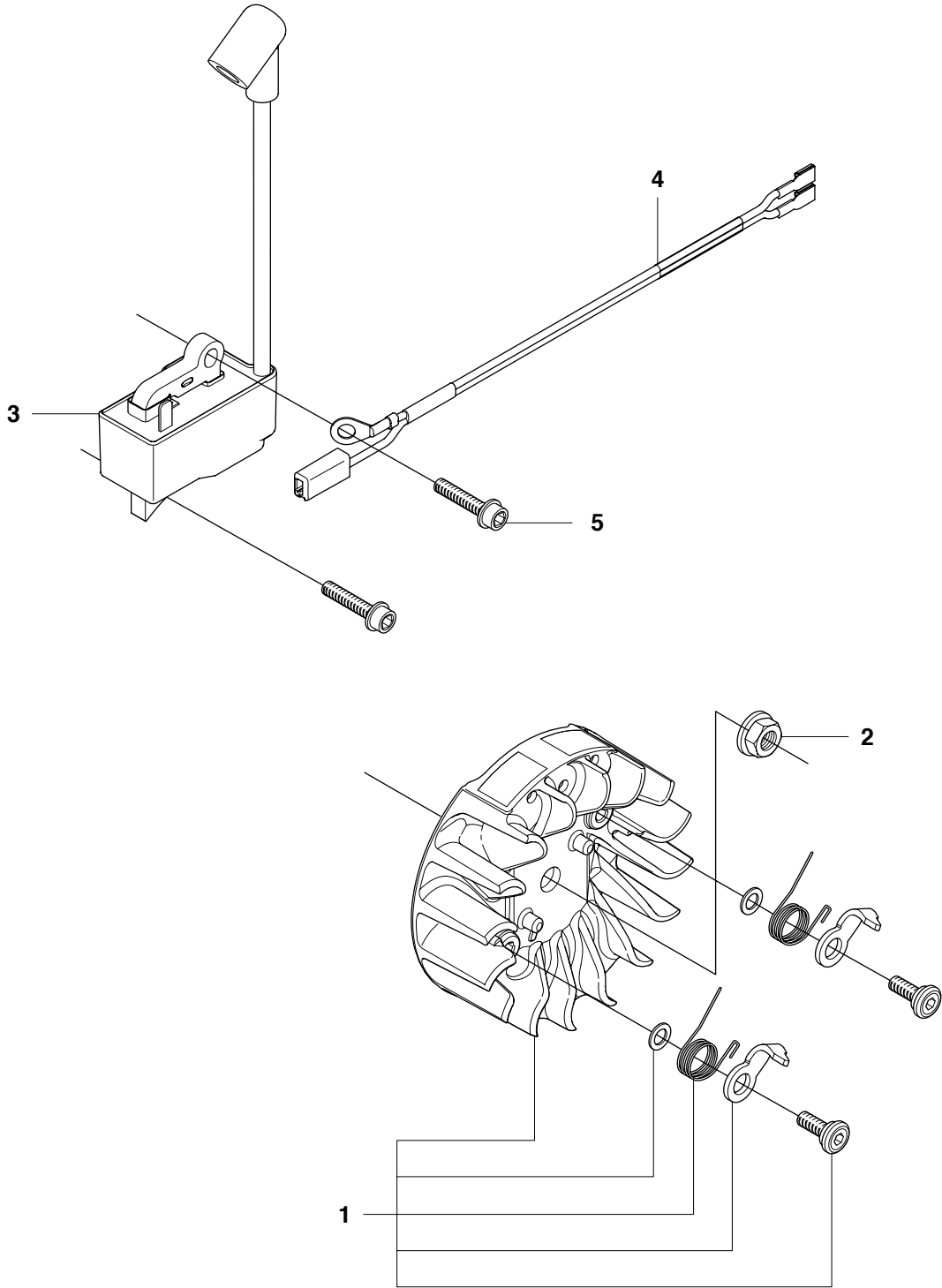
Position	Article	Quantity	Notes	Kit
1	577 86 02-02	1	Cylinder cover assy	
2	576 95 14-01	1	Starting reminder decal	1
3	576 37 38-01	3	Snap locking	

D CS350
STARTER



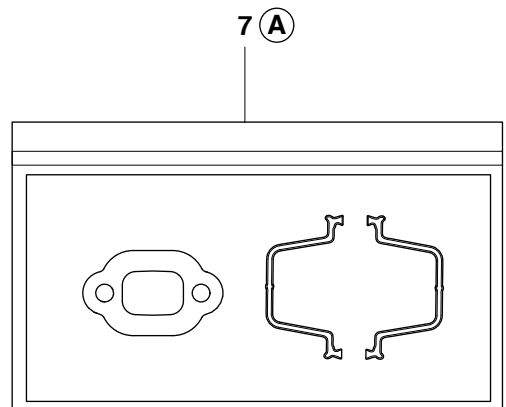
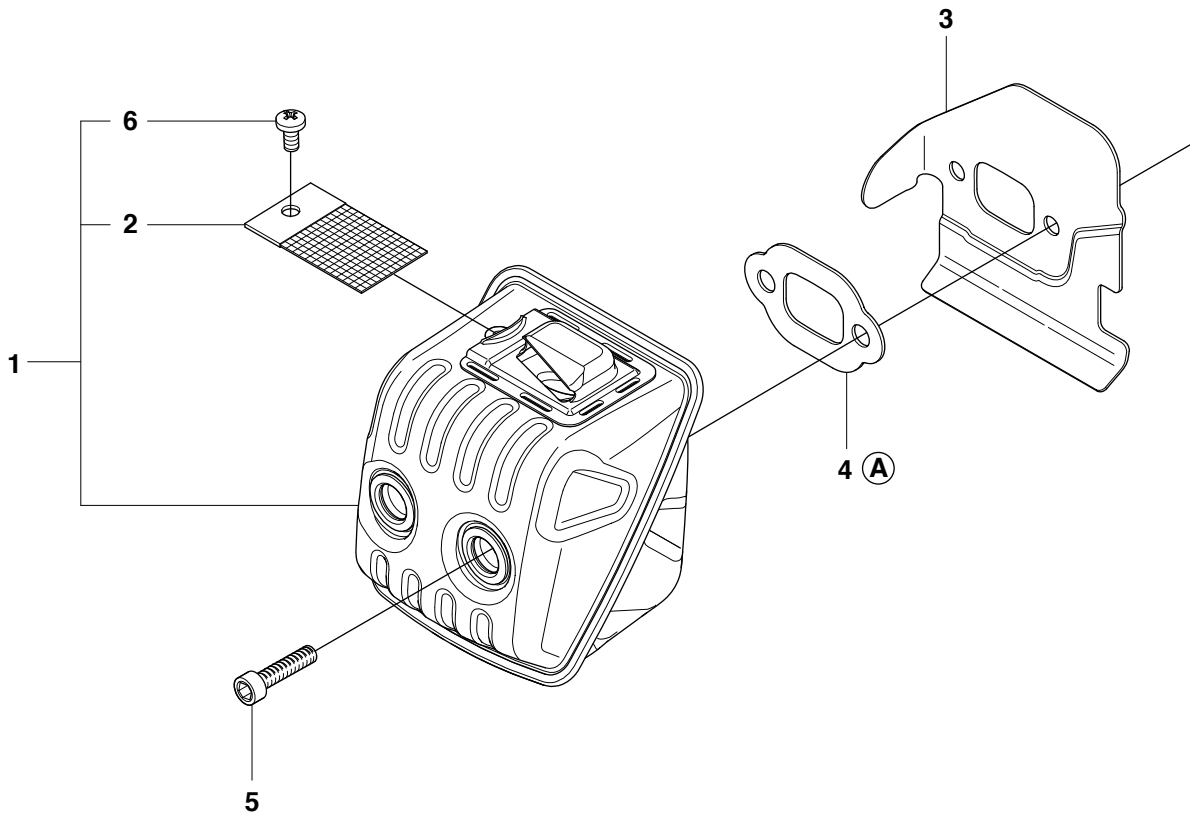
Position	Article	Quantity	Notes	Kit
1	576 27 42-03	1	Starter housing assy	
2	576 27 43-01	1	Starter housing	1
3	537 28 32-01	1	Reinforcement sleeve	1,2
4	540 05 75-02	1	Spring cassette assy	1
5	503 21 28-10	2	Screw CCRPANT	1
6	537 42 32-01	1	Starter pulley	1
7	505 64 73-01	1	Spring	1
8	510 44 33-01	1	Driver	1
9	537 42 66-01	1	Screw	1
10	505 30 51-25	1	Starter cord	1
11	576 37 46-01	1	Starter handle	1
12	503 21 73-21	4	Screw CIHSCTO	1
14	576 38 20-01	1	Starter housing decal	1
15	576 27 44-01	1	Air Baffle	

E CS350
IGNITION SYSTEM



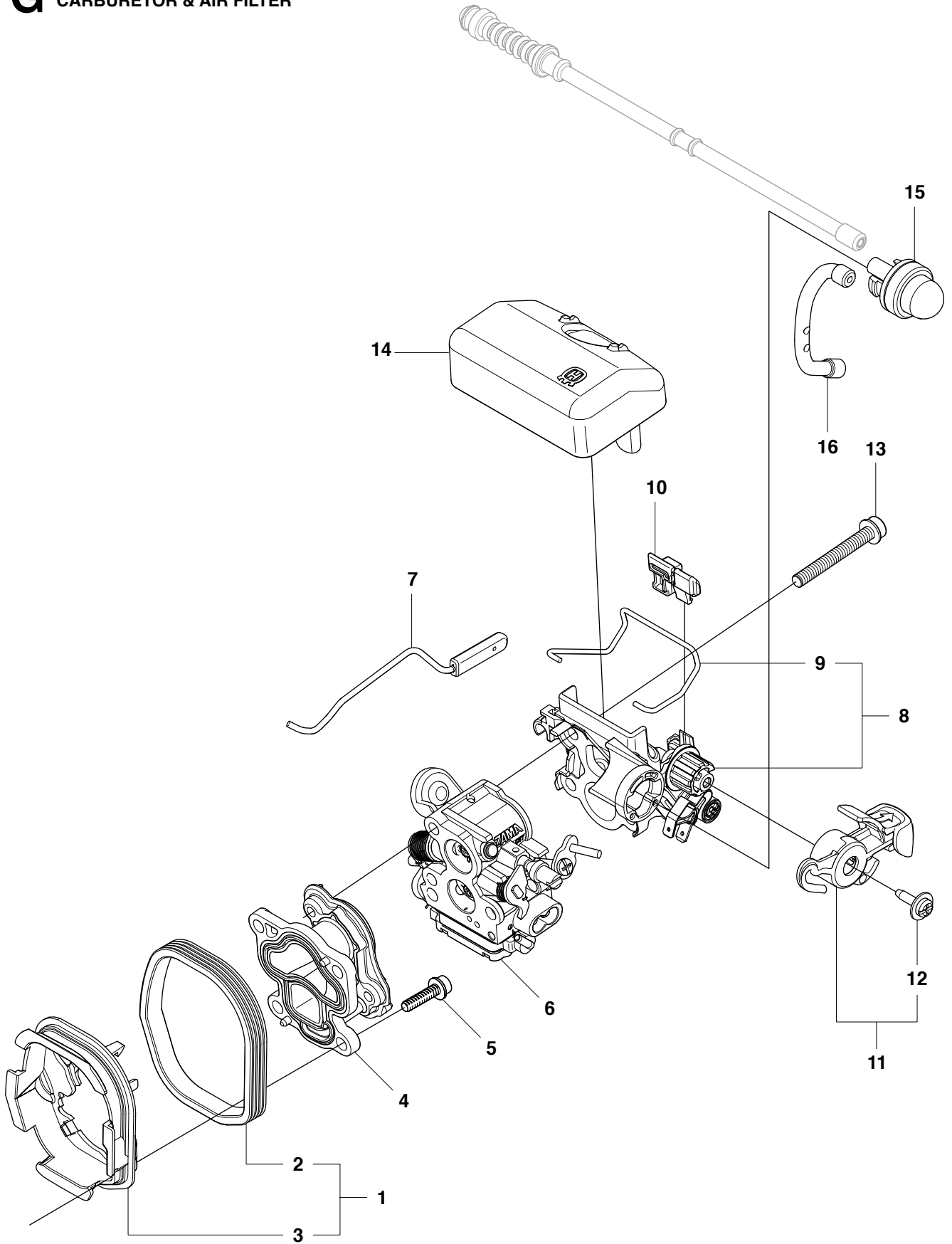
Position	Article	Quantity	Notes	Kit
1	544 87 42-02	1	Flywheel assy	
2	503 22 04-01	1	Nut	
3	576 70 56-01	1	Ignition module	
4	510 10 14-01	1	Wiring assy	
5	503 20 02-20	2	Screw IHSCFM	

F CS350
MUFFLER



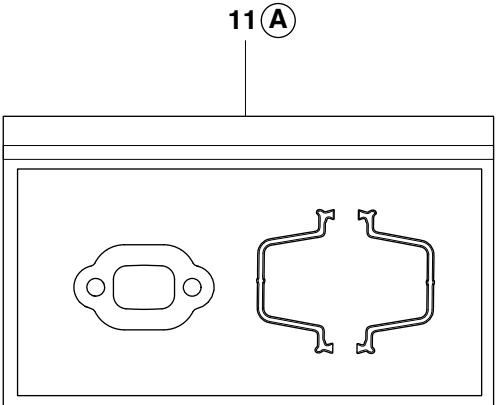
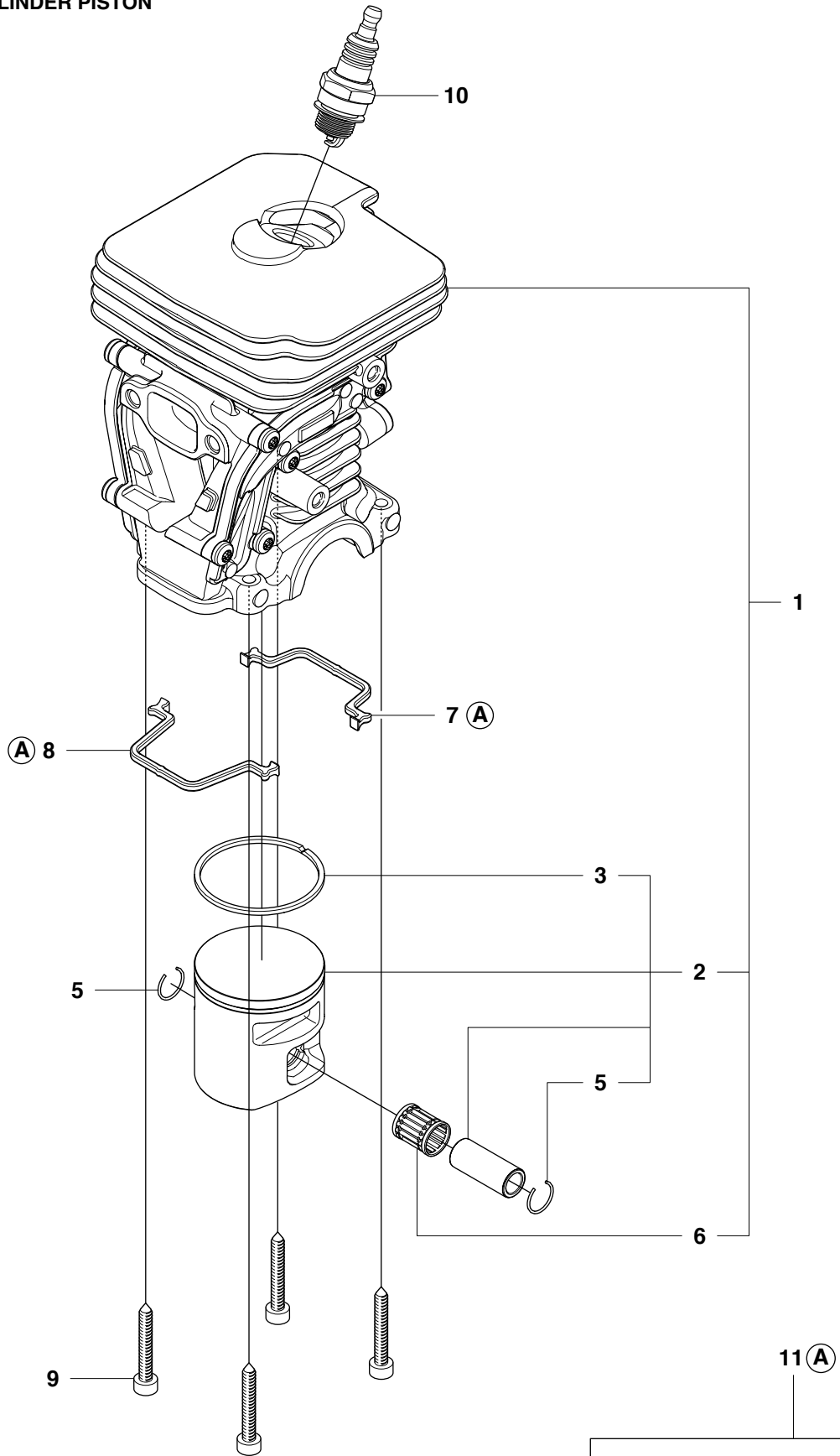
Position	Article	Quantity	Notes	Kit
1	544 14 77-03	1	Muffler assy	
2	503 86 36-01	1	Spark arrester	1
3	501 32 31-01	1	Heat deflector	
4	544 08 44-01	1	Gasket	7
5	725 53 68-55	2	Screw	
6	724 12 87-59	1	Screw	1
7	504 79 40-01	1	Set of gaskets	

G CS350
CARBURETOR & AIR FILTER



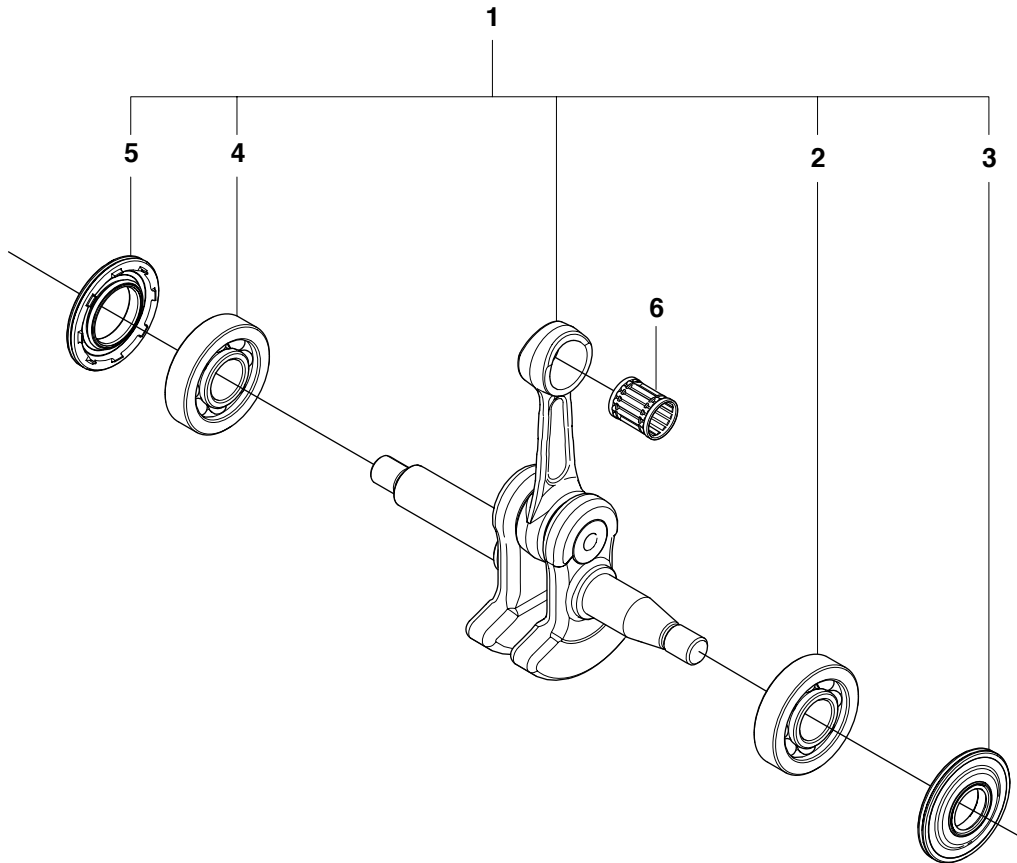
Position	Article	Quantity	Notes	Kit
1	504 72 47-02	1	Insulation wall assy	
2	504 72 45-01	1	Insulation wall rubber	1
3	504 72 44-02	1	Insulation wall plastic	1
4	504 20 12-01	1	Inlet pipe	
5	503 20 02-16	4	Screw	
6	506 45 05-01	1	Carburettor	
7	544 28 44-01	1	Throttle rod assy	
8	544 97 64-01	1	Filter holder assy	
9	544 39 26-01	1	Shackle	8
10	504 71 25-01	1	Guide sliding shoe	
11	544 84 43-04	1	Control assy	
12	544 97 66-01	1	Screw	11
13	503 20 02-40	3	Screw	
14	544 80 54-02	1	Air filter assy (44 μ)	
14	544 80 54-03	1	Air filter assy (felt)	
15	503 93 66-01	1	Air purge	
16	544 40 19-01	1	Hose, airpurge suction	

H CS350
CYLINDER PISTON



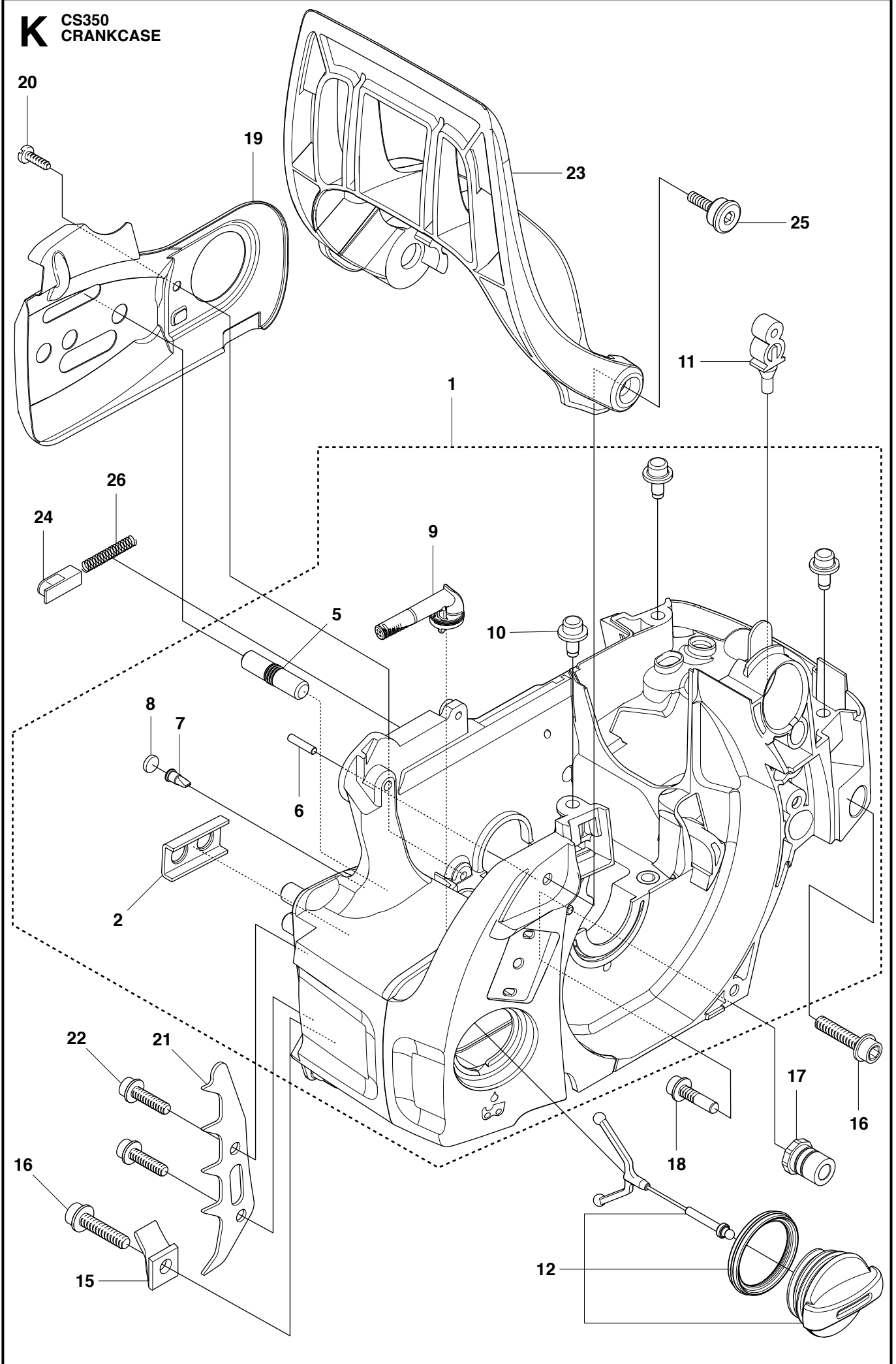
Position	Article	Quantity	Notes	Kit
1	504 73 51-04	1	Cylinder assy	
2	502 62 50-02	1	Piston assy	1
3	544 40 59-01	1	Piston ring	1,2
5	537 39 99-01	2	Circlip	1,2
6	503 41 41-01	1	Needle bearing	1
7	544 39 60-01	1	Gasket, cylinder rear	11
8	544 39 59-01	1	Gasket, cylinder front	11
9	725 53 33-55	4	Screw	
10	503 23 51-11	1	Spark plug	
11	504 79 40-01	1	Set of gaskets	

J CS350
CRANKSHAFT



Position	Article	Quantity	Notes	Kit
1	544 34 38-01	1	Crankshaft	
2	544 24 87-02	1	Ball bearing 6001 OD32	1
3	544 25 12-01	1	Sealing 12x32x3,7	1
4	544 24 88-02	1	Ball bearing 6001 OD32w	1
5	544 25 13-01	1	Sealing 16,6x32,3,7	1
6	503 41 41-01	1	Needle bearing	

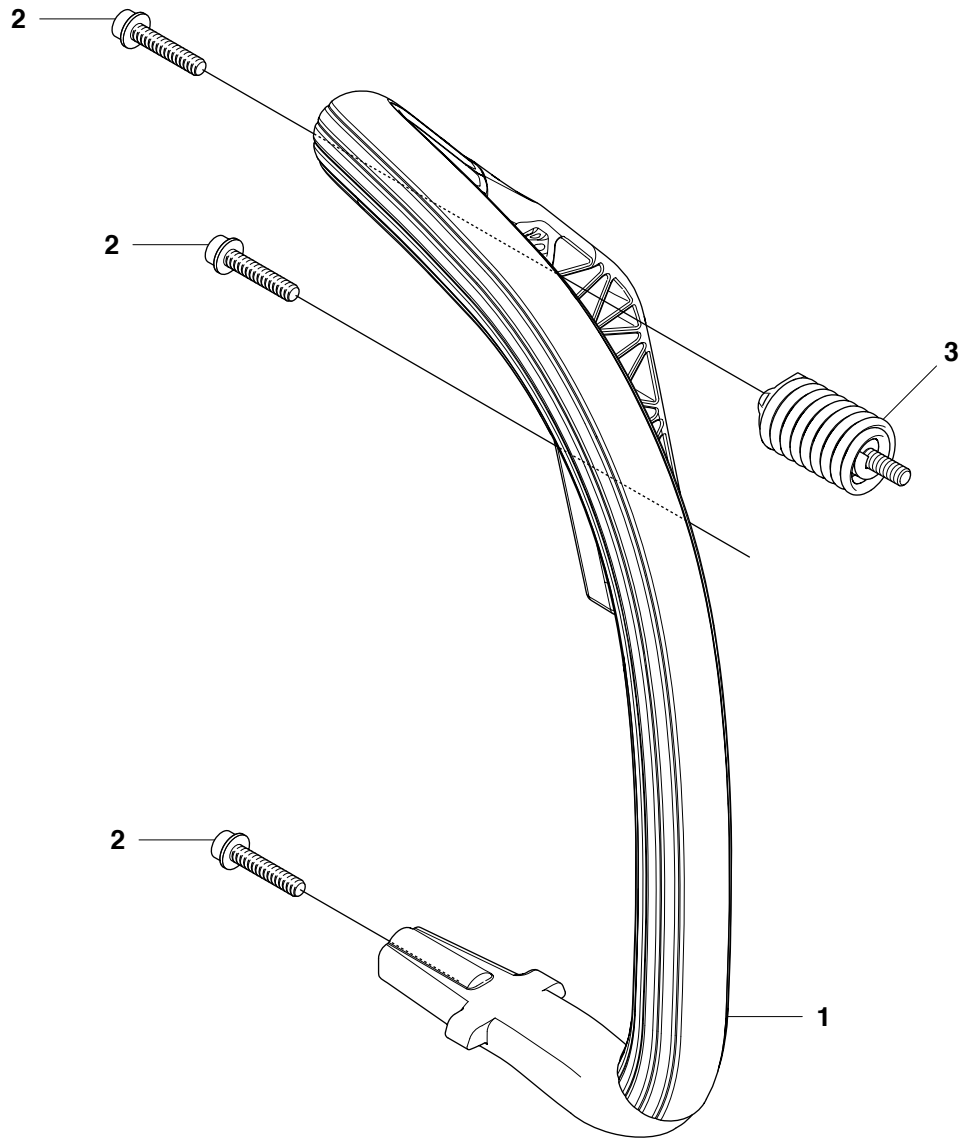
K CS350
CRANKCASE



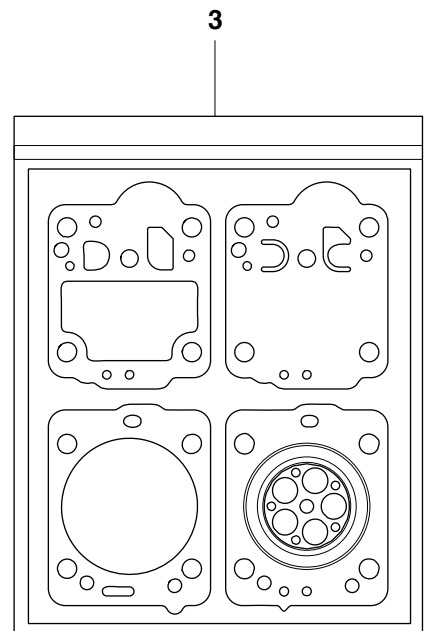
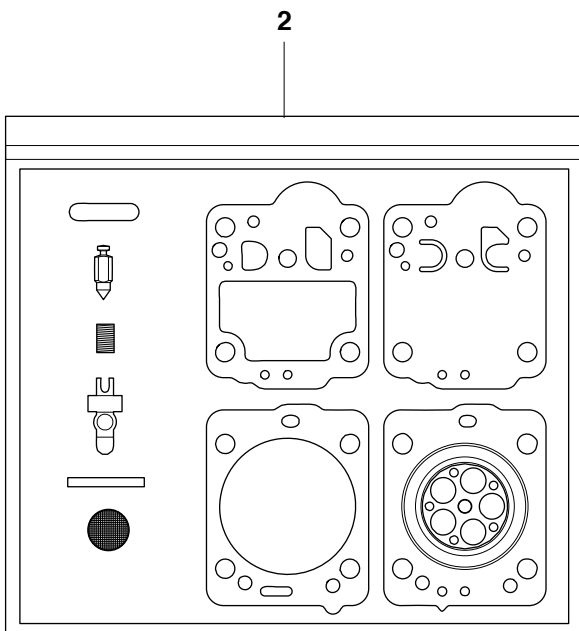
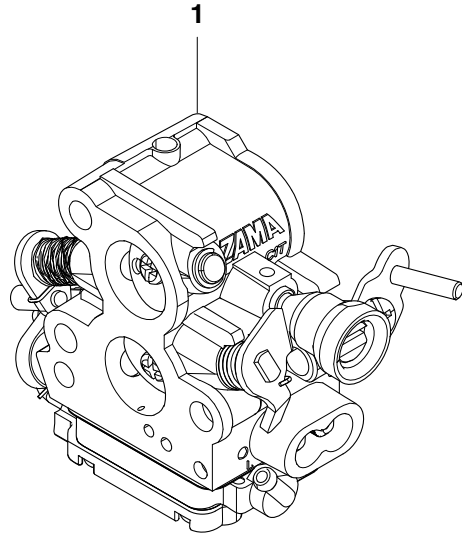
Position	Article	Quantity	Notes	Kit
1	576 24 78-01	1	Crankcase assy	
2	503 87 58-02	1	Stiffening plate	1
5	544 03 64-01	1	Bar bolt	1
6	503 24 09-05	1	Needle roller	1
7	530 02 61-19	1	Check valve	1
8	537 40 35-01	1	Filter	1
7	530 02 61-19	1	Check valve	1
8	537 40 35-01	1	Filter	1
9	544 08 33-01	1	Oil screen	1
10	544 33 16-01	3	Guide pin	1
11	503 86 93-01	1	Support	
12	544 11 12-02	1	Tank cap assy	
15	503 88 63-01	1	Chain catcher	
16	503 21 88-76	2	Screw	
17	501 00 76-01	1	Lateral support	
18	503 21 51-03	1	Screw	
19	544 28 46-01	1	Chain guide plate	
20	503 21 70-10	1	Screw	
21	544 28 65-01	1	Spike inner	
22	503 21 75-20	2	Screw	
23	576 27 41-01	1	Hand guard	
24	503 89 24-01	1	Catch	
25	503 89 30-01	2	Screw	
26	503 43 65-01	1	Lock spring	

Position	Article	Quantity	Notes	Kit
1	576 27 35-01	1	Fuel tank assy	
2	503 21 28-10	1	Screw	
5	578 35 46-01	1	Throttle assy	
7	544 28 49-02	1	Handle insert	
8	544 12 86-01	1	Fuel hose	
9	503 44 32-01	1	Filter mix	
10	544 12 97-01	1	Return hose	
11	544 11 12-02	1	Tank cap assy	
14	544 37 50-01	1	Decal warning	
15	501 00 76-01	1	Lateral support	
16	504 79 56-01	2	Antivibration element	1
17	721 12 63-39	1	Grooved pin	1
18	537 35 95-01	1	Fuel tank vent	1

M CS350
HANDLE



Position	Article	Quantity	Notes	Kit
1	506 49 26-01	1	Front handle	
2	503 21 88-76	3	Screw	
3	503 89 83-01	1	Antivibration element	



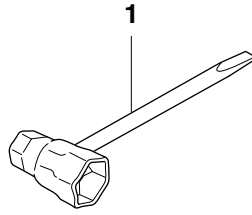
Page N

CS350

CARBURETOR

Position	Article	Quantity	Notes	Kit
1	506 45 05-01	1	Zama C1T-EL41	
2	578 86 49-01	1	Repair kit	
3	504 02 86-01	1	Set of gaskets	

P CS350
ACCESSORIES



Page P

CS350

ACCESSORIES

Position	Article	Quantity	Notes	Kit
1	576 86 59-02	1	Combination wrench	