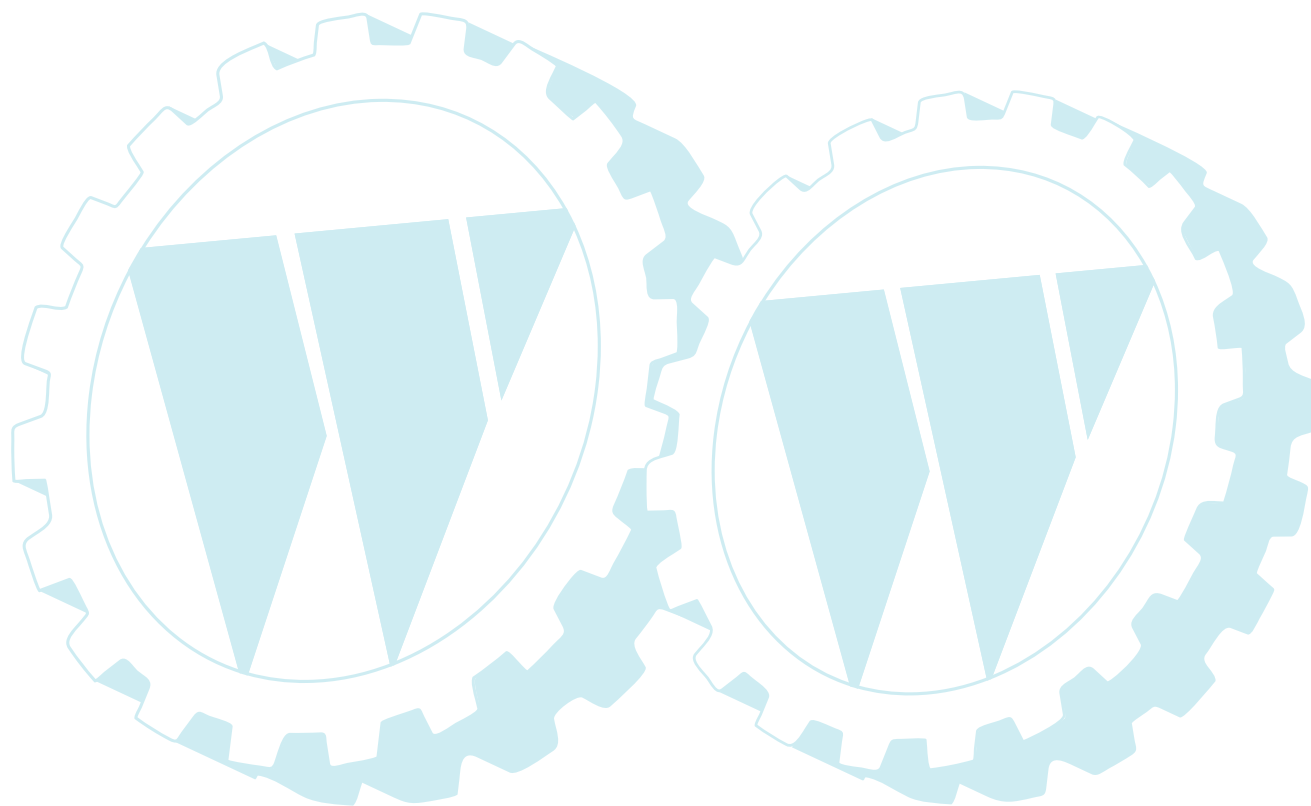


## ILLUSTRATED PARTS LIST

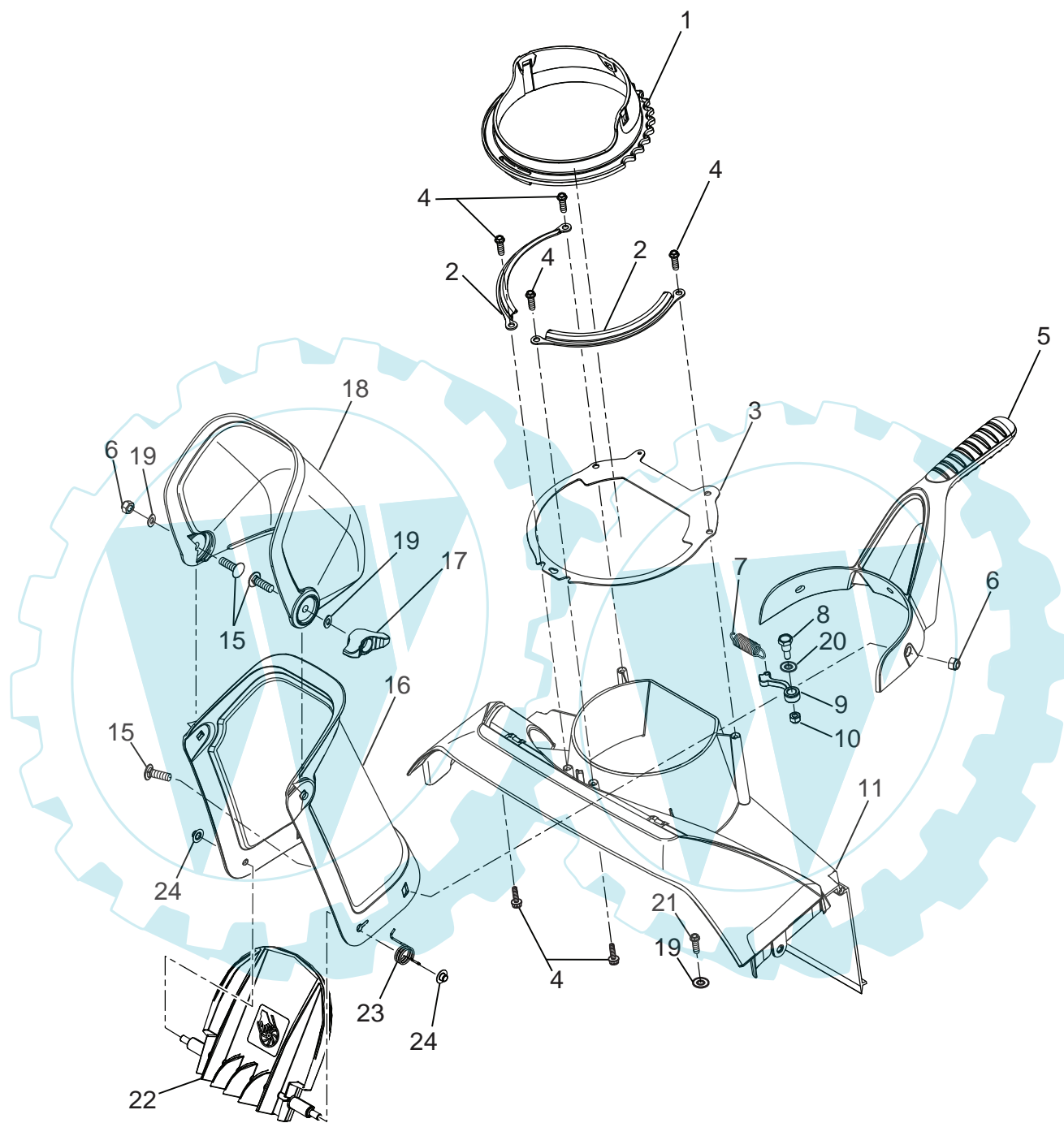
**MODEL NUMBER MSB 121E**

**PRODUCT NUMBER 961 81 00-08**

**MFG. ID. NUMBER 96181000800**



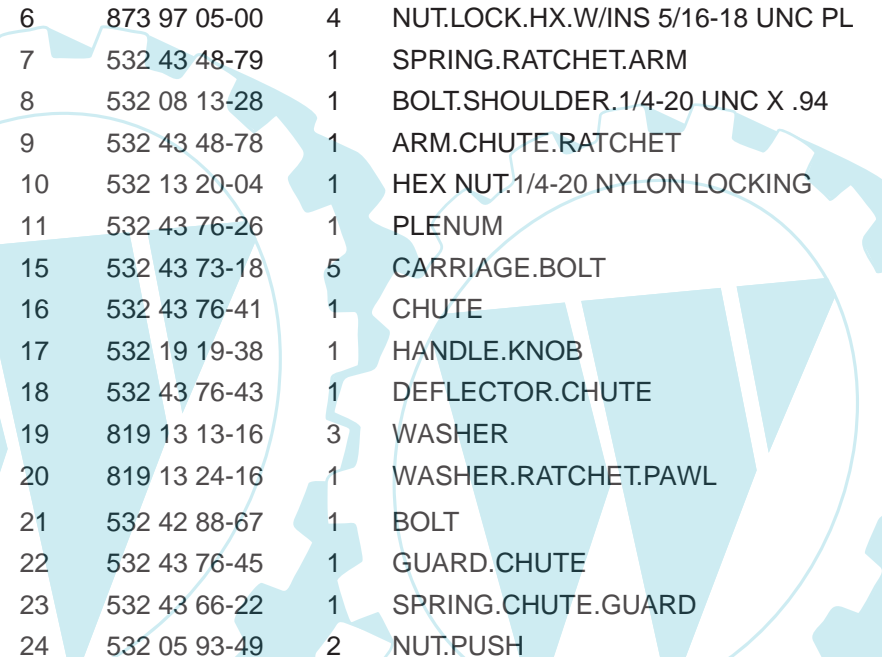
# REPAIR PARTS SNOW THROWER -- MODEL NUMBER MSB 121E (96181000800) CHUTE ASSEMBLY



SSST-Chute asm\_6

**NOTE:** All component dimensions given in U.S. inches. 1 inch = 25.4 mm  
**IMPORTANT:** Use only Original Equipment Manufacturer (O.E.M.) replacement parts.  
Failure to do so could be hazardous, damage your snow thrower and void your warranty.

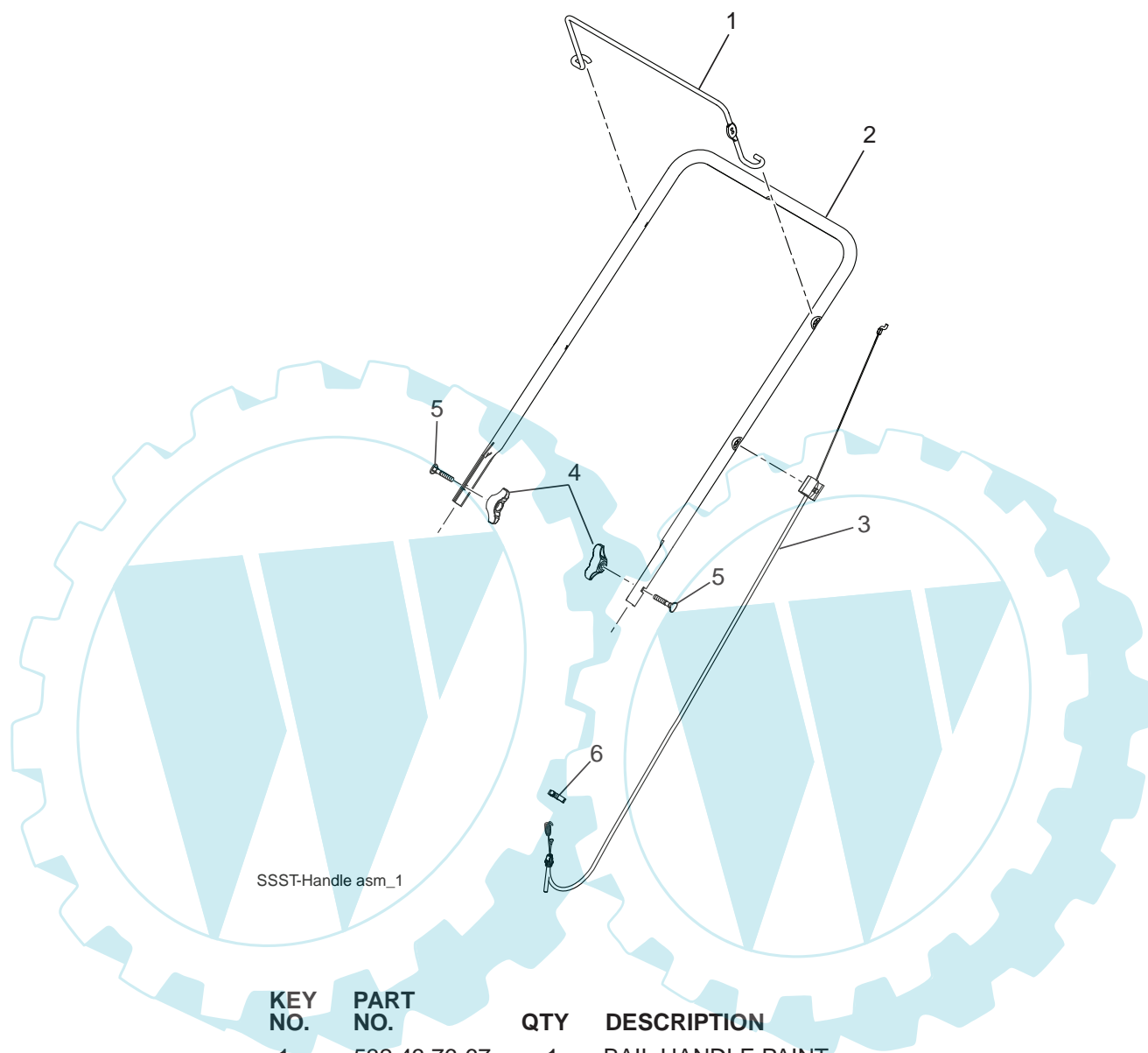
REPAIR PARTS SNOW THROWER -- MODEL NUMBER MSB 121E (96181000800)  
CHUTE ASSEMBLY



KEY NO.	PART NO.	QTY	DESCRIPTION
1	532 43 48-77	1	CHUTE.RATCHETING.PLASTIC.W/GRV
2	532 43 76-40	2	PLATE.CHUTE.RETAINER
3	532 43 76-35	1	PLATE.CHUTE.BASE
4	817 41 13-12	8	BOLT.HEX.WSH.HD.13-16 X 3/4
5	532 43 76-42	1	HANDLE.CHUTE.MS428
6	873 97 05-00	4	NUT.LOCK.HX.W/INS 5/16-18 UNC PL
7	532 43 48-79	1	SPRING.RATCHET.ARM
8	532 08 13-28	1	BOLT.SHOULDER.1/4-20 UNC X .94
9	532 43 48-78	1	ARM.CHUTE.RATCHET
10	532 13 20-04	1	HEX NUT.1/4-20 NYLON LOCKING
11	532 43 76-26	1	PLENUM
15	532 43 73-18	5	CARRIAGE.BOLT
16	532 43 76-41	1	CHUTE
17	532 19 19-38	1	HANDLE.KNOB
18	532 43 76-43	1	DEFLECTOR.CHUTE
19	819 13 13-16	3	WASHER
20	819 13 24-16	1	WASHER.RATCHET.PAWL
21	532 42 88-67	1	BOLT
22	532 43 76-45	1	GUARD.CHUTE
23	532 43 66-22	1	SPRING.CHUTE.GUARD
24	532 05 93-49	2	NUT.PUSH

**NOTE:** All component dimensions given in U.S. inches. 1 inch = 25.4 mm  
**IMPORTANT:** Use only Original Equipment Manufacturer (O.E.M.) replacement parts.  
Failure to do so could be hazardous, damage your snow thrower and void your warranty.

REPAIR PARTS SNOW THROWER -- MODEL NUMBER MSB 121E (96181000800)  
HANDLE ASSEMBLY

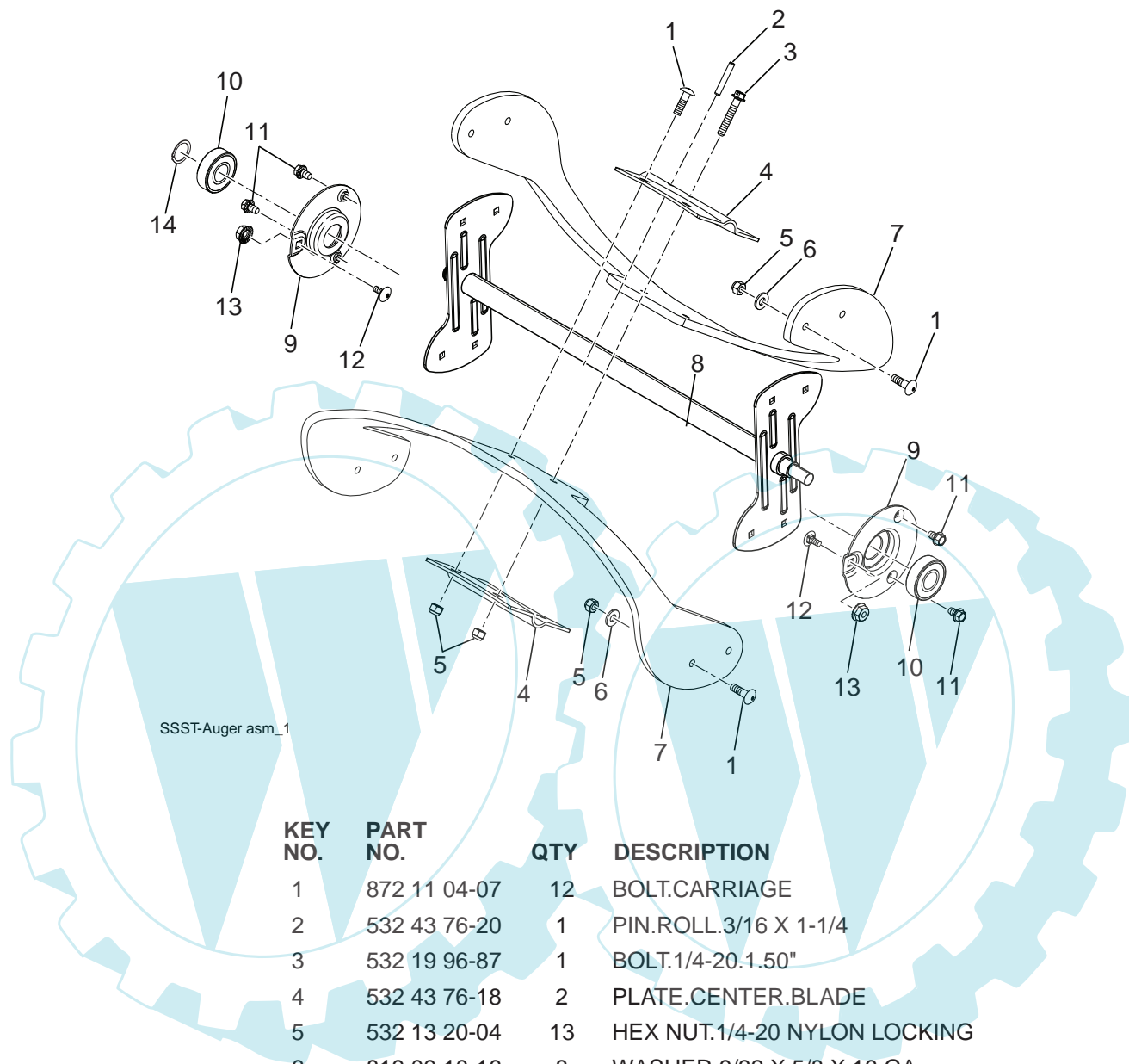


KEY NO.	PART NO.	QTY	DESCRIPTION
1	532 43 76-67	1	BAIL.HANDLE.PAINT
2	532 43 76-64	1	HANDLE.PNT.UPPER.SSST
3	532 43 48-06	1	CONTROL.CABLE
4	532 19 19-38	2	KNOB.HANDLE.BLACK
5	532 19 15-74	2	BOLT.HANDLE.BLACK PATCHED
6	532 14 50-06	1	CLIP.PUSH-IN.HINGED

**NOTE:** All component dimensions given in U.S. inches. 1 inch = 25.4 mm

**IMPORTANT:** Use only Original Equipment Manufacturer (O.E.M.) replacement parts. Failure to do so could be hazardous, damage your snow thrower and void your warranty.

REPAIR PARTS SNOW THROWER -- MODEL NUMBER MSB 121E (96181000800)  
**AUGER ASSEMBLY**

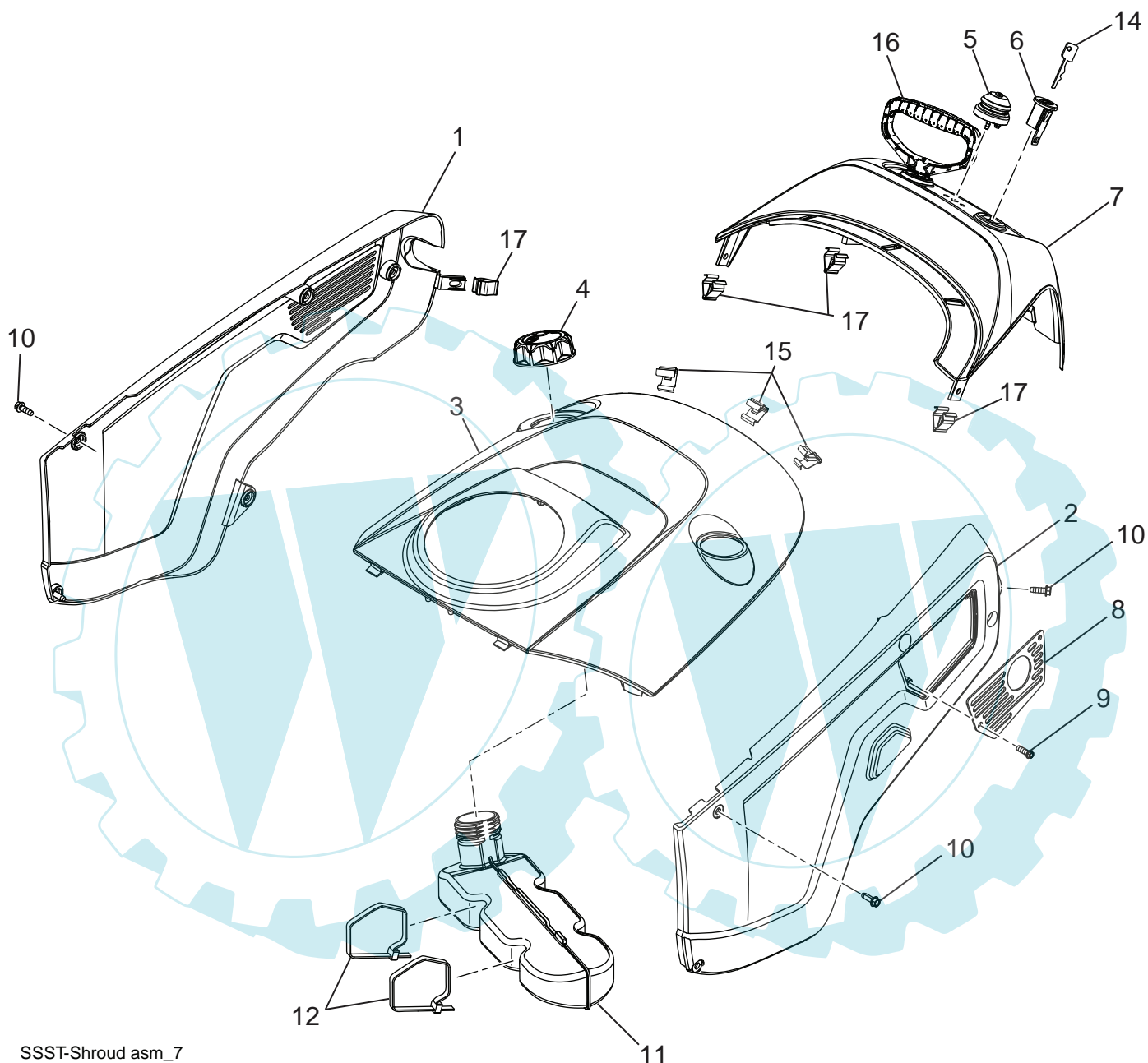


SSST-Auger asm\_1

KEY NO.	PART NO.	QTY	DESCRIPTION
1	872 11 04-07	12	BOLT.CARRIAGE
2	532 43 76-20	1	PIN.ROLL.3/16 X 1-1/4
3	532 19 96-87	1	BOLT.1/4-20.1.50"
4	532 43 76-18	2	PLATE.CENTER.BLADE
5	532 13 20-04	13	HEX NUT.1/4-20 NYLON LOCKING
6	819 09 10-16	8	WASHER 9/32 X 5/8 X 16 GA.
7	532 43 53-02	2	BLADE.AUGER
8	532 43 76-17	1	WELDMENT.AUGER.ASM
9	532 43 76-21	2	SUPPORT.BEARING.SSST.PNT
10	532 43 76-22	2	BEARING.BALL.MANDREL
11	817 60 04-06	4	SCREW.HEX.WASHEAD.1/4-20 X 3/8
12	872 11 04-04	2	BOLT.CARR.SS.1/4-20 UNC X 1/2.GR5
13	873 68 04-00	2	WHIZ.LOCK.NUTS.BEARING CAPS
14	812 00 00-28	1	RETAINING.CLIP

**NOTE:** All component dimensions given in U.S. inches. 1 inch = 25.4 mm  
**IMPORTANT:** Use only Original Equipment Manufacturer (O.E.M.) replacement parts.  
 Failure to do so could be hazardous, damage your snow thrower and void your warranty.

REPAIR PARTS SNOW THROWER -- MODEL NUMBER MSB 121E (96181000800)  
SHROUD ASSEMBLY



SSST-Shroud asm\_7

**NOTE:** All component dimensions given in U.S. inches. 1 inch = 25.4 mm  
**IMPORTANT:** Use only Original Equipment Manufacturer (O.E.M.) replacement parts.  
Failure to do so could be hazardous, damage your snow thrower and void your warranty.

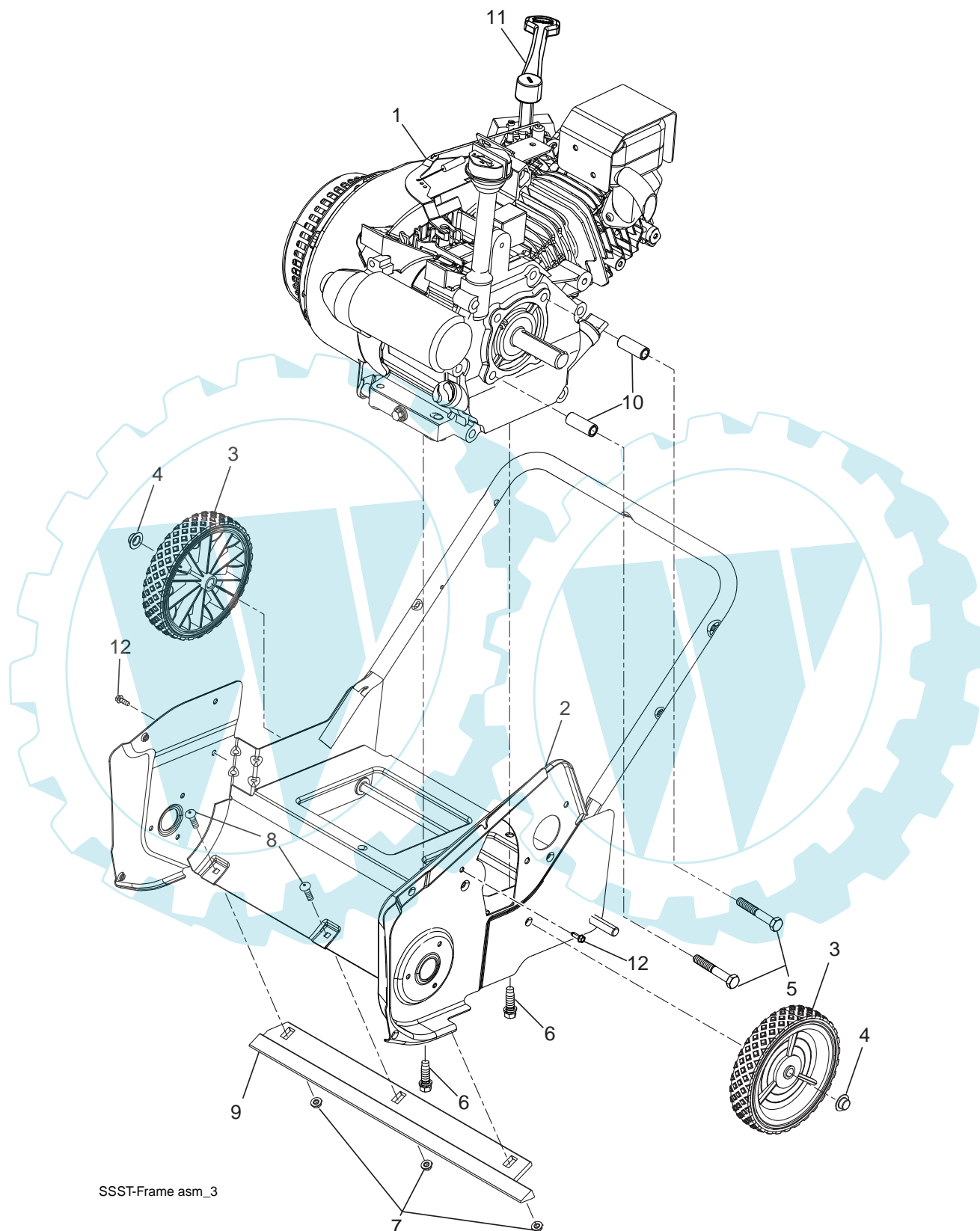
REPAIR PARTS SNOW THROWER -- MODEL NUMBER MSB 121E (96181000800)  
SHROUD ASSEMBLY

KEY NO.	PART NO.	QTY	DESCRIPTION
1	532 43 76-27	1	COVER.NON-DRIVE.SIDE.MS428
2	532 43 76-30	1	COVER.DRIVE.SIDE.MS428
3	532 43 76-34	1	TOP.COVER
4	532 43 02-20	1	CAP.ASM.FUEL.2.25"FR.N/CB.E10
5	532 43 62-35	1	BULB.PRIMER
6	532 43 54-07	1	KEY HOUSING
7	532 43 76-44	1	TOP.REAR.COVER
8	532 43 76-31	1	PLATE.EXHAUST.PNT.
9	817 41 13-12	2	SCREW
10	817 49 04-12	12	SCREW.HEXWSH.THDROL.1/4-20X3/4
11	532 43 48-80	1	TANK.FUEL.ASM.
12	532 14 68-48	2	TIE.CABLE.24.5X.29.NYLON.WHITE
14	532 43 54-09	2	KEY
15	532 43 48-68	3	CLIP.TRIM
16	532 43 62-76	1	HDL.STARTER (RECOIL)
17	532 19 66-88	4	THREADED.CLIP

**NOTE:** All component dimensions given in U.S. inches. 1 inch = 25.4 mm

**IMPORTANT:** Use only Original Equipment Manufacturer (O.E.M.) replacement parts.  
Failure to do so could be hazardous, damage your snow thrower and void your warranty.

REPAIR PARTS SNOW THROWER -- MODEL NUMBER MSB 121E (96181000800)  
FRAME ASSEMBLY



SSST-Frame asm\_3

**NOTE:** All component dimensions given in U.S. inches. 1 inch = 25.4 mm  
**IMPORTANT:** Use only Original Equipment Manufacturer (O.E.M.) replacement parts.  
Failure to do so could be hazardous, damage your snow thrower and void your warranty.



**REPAIR PARTS SNOW THROWER -- MODEL NUMBER MSB 121E (96181000800)  
FRAME ASSEMBLY**

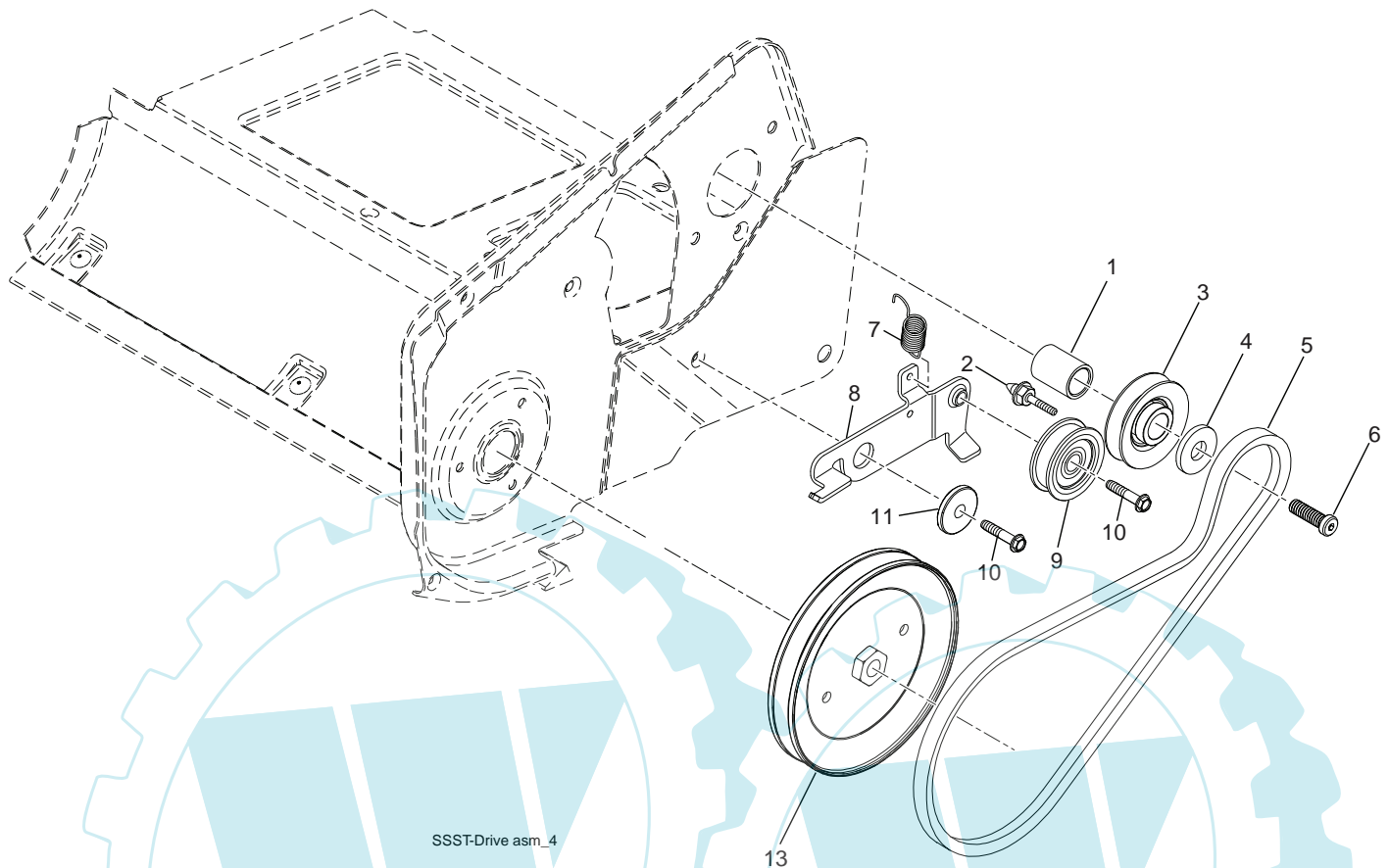
KEY NO.	PART NO.	QTY	DESCRIPTION
1			LCT.ENGINE
2	532 43 76-06	1	FRAME.WELDMENT
3	532 43 76-62	2	WHEEL.7X1.5.DMD.GS.3SPK.MS428
4	532 43 54-17	2	NUT.PUSH.AXLE.0.5IN
5	532 43 55-78	2	SCREW. 5/16-24 X 2.00"HHCS
6	532 15 04-06	2	BOLT.ENG. 3/8-16 X 1.280
7	532 19 17-30	3	NUT.HEX.FLANGE.1/4-20.CTR.LOCK
8	872 14 04-05	3	BOLT.RDHD.SQNK.1/4-20 UNC X 5/8
9	532 43 55-35	1	PLATE.SCRAPER
10	532 43 48-57	2	SPACER.ENGINE
11	532 43 48-74	1	LEVER.CHOKE
12	817 41 13-12	2	BOLT

**NOTE:** All component dimensions given in U.S. inches. 1 inch = 25.4 mm

**IMPORTANT:** Use only Original Equipment Manufacturer (O.E.M.) replacement parts. Failure to do so could be hazardous, damage your snow thrower and void your warranty.

REPAIR PARTS SNOW THROWER -- MODEL NUMBER MSB 121E (96181000800)

DRIVE ASSEMBLY



SSST-Drive asm\_4

KEY NO.	PART NO.	QTY	DESCRIPTION
1	532 43 48-60	1	SPACER.ENGINE.CRANK
2	532 43 45-02	1	KEEPER.ENGINE.BELT
3	532 42 64-90	1	PULLEY.ENG.TRACTION.3/4
4	532 85 10-74	1	WASHER.HARDEN
5	532 43 72-61	1	BELT-V.TRACTION
6	532 43 08-17	1	SCREW.CAP.SCHD.3/8-24 X 1.25
7	532 43 48-59	1	SPRING.IDLER.PULLEY.RETURN
8	532 43 76-09	1	ARM.IDLER.PNT.MS431
9	532 16 60-43	1	PULLEY.IDLER.BACKSIDE
10	817 06 06-20	1	SCREW.HXWH.THDR.1/4-20X1-1/4
11	532 19 90-92	1	SPACER.RETAINER
13	532 43 53-83	1	PULLEY.DRIVEN
--	532 43 64-37	1	OWNER'S.MANUAL.EURO
--	532 43 64-38	1	OWNER'S.MANUAL.SCAN
--	532 43 65-28	1	OWNER'S.MANUAL.EBLOC
--	532 43 65-29	1	OWNER'S.MANUAL.BALTIC

**NOTE:** All component dimensions given in U.S. inches. 1 inch = 25.4 mm

**IMPORTANT:** Use only Original Equipment Manufacturer (O.E.M.) replacement parts. Failure to do so could be hazardous, damage your snow thrower and void your warranty.