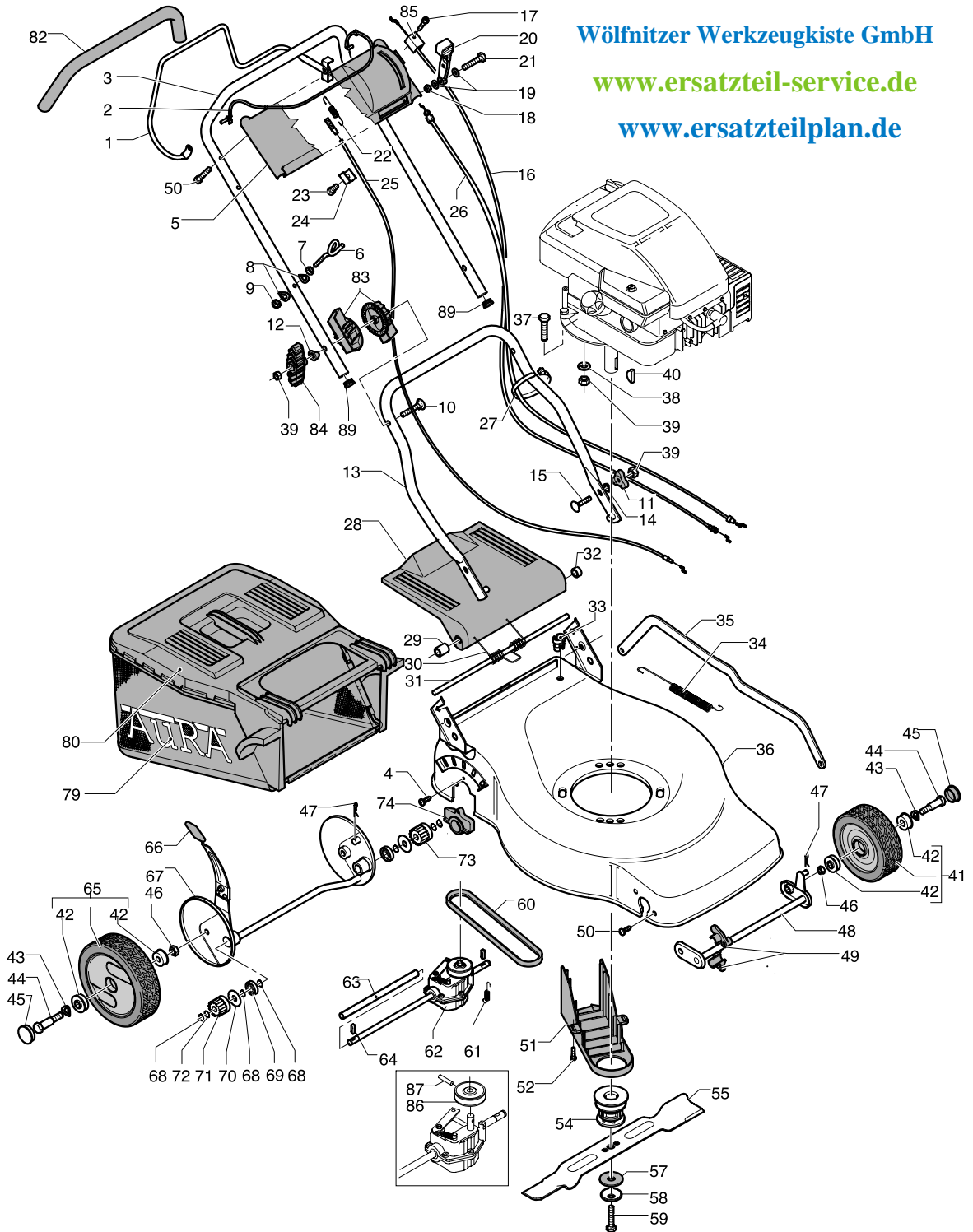


Wölfnitzer Werkzeugkiste GmbH

[www.ersatzteil-service.de](http://www.ersatzteil-service.de)

[www.ersatzteilplan.de](http://www.ersatzteilplan.de)



brand	<b>MEP</b>
-------	------------

date	FEB/03	SHEET 2/3
------	--------	-----------

Model

<b>A 653 SL</b>

Product number

<b>953876093</b>

Pos.	PN ELX	PN MEP	DESCRIPTION	Q.ty	NOTE
1	531205616	10135883	clutch lever	1	
2	531205618	10135893	lever	1	
3	531205838	10141233	upper handle	1	
5	531205609	10135773	dash-board	1	
6	531205169	10121470	cable hook	1	
7	531207165	10501200	nut	1	M6 H6 UNI 5587-6S-ZB
8	531204961	10115900	washer	2	6,5E
9	531208491	20281800	nut	1	M6H8UNI7473ZB
10	531205842	10141270	screw	2	M8X75
11	531204923	10114303	knob	2	
12	531205841	10141263	washer	2	D.8
13	531205836	10141213	handle lowere	1	
14	531204922	10114200	washer	2	8x16x1,5 ZB
15	531204921	10114100	screw	2	TTSQ M8x25 T.FIL. ZB
16	531205191	10121610	cable	1	B&S - 1097/148
17	531208217	20135730	screw	1	TC.TC 2F D 5x25
18	531208492	20282100	nut	1	M5 H7 UNI7473-ZB
19	531206666	10284700	washer	2	5/15/1,5 ZB
20	531205138	10121260	accelerator lever	1	
21	531207836	10830000	screw	1	TE M5x25 UNI 5739-8,8-ZB
22	531205596	10135710	spring	1	
23	531207937	10878000	screw	1	TCTC 3,9x16
24	531207923	10876103	bearing	1	
25	531206000	10146340	clutch cable	1	
26	531207754	10800400	accelerator cable	1	mm 1385/80 B&S
27	531205581	10135600	clamp	2	160X4,5
28	531205487	10135073	deflector	1	
29	531205733	10140223	spacer	1	H.15
30	531206180	10155190	spring	1	
31	531205731	10140190	tie rod	1	
32	531205732	10140213	spacer	1	H.5
33	531205557	10135413	cable lock	1	
34	531206173	10155073	spring	1	
35	531206171	10155063	rod	1	
36	531206160	1015500K	deck	1	
37	531205196	10121700	screw	2	TE M8x35 UNI 5739-8,8-ZB
37	531206681	10291000	screw	1	TE M8x60 UNI 5737-8,8-ZB
38	531207981	20106200	washer	4	D.8E DIN 6798
39	531207982	20106300	nut	5	M8 H8 UNI 5587-6S ZB
40	531204907	10100900	nut	1	M8 H8 UNI 5587-6S ZB
41	531204607	09141284	wheel	2	D170/26
42	531205214	10121900	ball-bearing	1	
43	531206644	10275100	washer	4	UNI 8840-B12(13/24/0,8
44	531205042	10120090	screw	4	
45	531204936	10114804	plug	4	
46	531207978	20101700	nut	4	M10 H8 UNI 5588-6S ZB

brand	<b>MEP</b>
-------	------------

Model

<b>A 653 SL</b>

**ELECTROLUX OUTDOOR PRODUCTS**

date	FEB/03	SHEET 3/3
------	--------	-----------

Product number

<b>953876093</b>

Pos.	PN ELX	PN MEP	DESCRIPTION	Q.ty	NOTE
47	531206653	10281400	cotter pin	2	
48	531205051	10120290	front axle	1	
49	531205057	10120473	support	4	
50	531208844	20734900	screw	8	TCTC 4,3x16 FIX ZB
51	531206175	10155083	belt housing	1	
52	531207856	10831800	screw	3	TEFR 5x10 ZB
54	531206169	10155040	support	1	
55	531211646	10141770	blade	1	
57	531207243	10531700	washer	1	17,2x50x1,5+0,1
58	531207237	10530900	washer	1	11x50x2,5
59	531208008	20120580	screw	1	TE 3/8 UNFx37-8,8 1/2F ZB
60	531206176	10155100	belt	1	Z29 1/2 (10X750) 3L310
61	531206182	10155210	spring	1	
62	531204758	09767800	reducer	1	
63	531207697	10766503	spacer tube	1	
64	531205108	10121160	key	2	"S" 5x5(-0,05) x19,2 DIAG
65	531204609	09141294	wheel	2	D210/26 COP
66	531207986	20107203	sheating	1	
67	531206178	10155150	rear axle	1	
68	531208772	20655800	seeger	6	D.12E DIN 471
69	531208778	20657600	ball-bearing	2	D.12/28/8 6001/2RS
70	531207847	10831200	washer	2	D.12/34/0,7 ZB
71	531205045	10120160	pinion	1	DX
72	531208859	20761300	washer	2	D.12,4x17x0,3
73	531205046	10120170	pinion	1	SX
74	531205944	10146093	support	2	
79	531208269	20140624	sac	1	
80	531211686	20140393	sack upper	1	
81	531208262	20140383	frame	1	
82	531205989	10146243	sheating	1	mm.600
83	531205839	10141243	handle bearing	4	D.22
84	531205840	10141253	knob	2	8M
85	531208043	20121983	cable bearing	1	
86	531208899	20768203	gear pulley	1	
87	531207703	10768400	resilient pin	1	
89	531208950	20833303	plug	2	