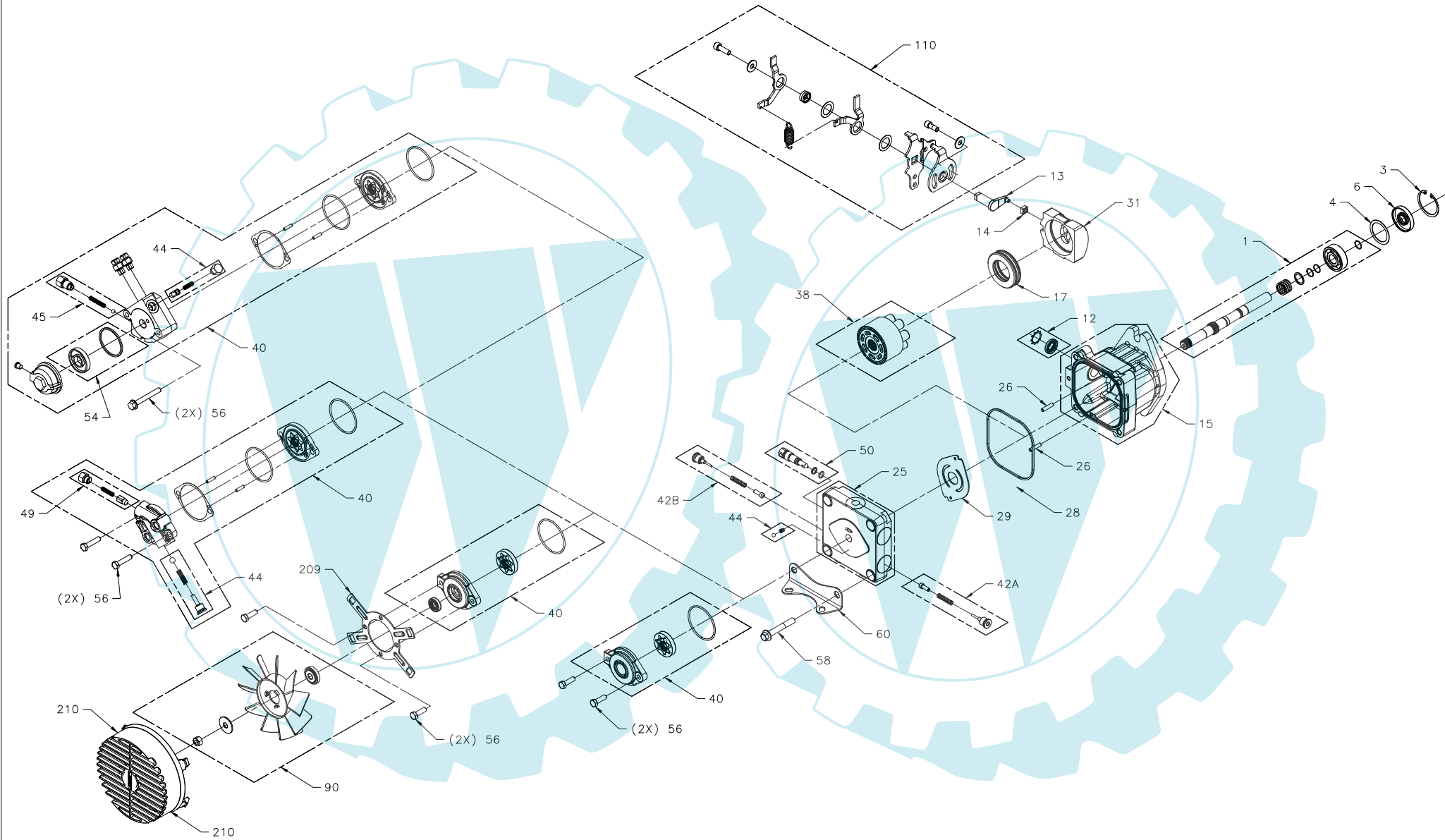


# PW SERIES SERVICE SCHEMATIC (BDP-21L)



# PW SERIES SERVICE SCHEMATIC (BDP-21L)

REFERENCE #	MODEL #	PUMP SHAFT KIT #1	HOUSING KIT #15	ENDCAP KIT #25	BYPASS VALVE KIT #50	CHECK VALVE RH KIT #42A	CHECK VALVE LH KIT #42B	TRUNNION ARM	CHARGE PUMP KIT #40	CHARGE RELIEF KIT #44	INPUT ROTATION	RTN KIT #10
BDP-21L-100	PW-3DNN-KY1X-XXXX	70580	71060	2510066	2513030	2510050	2510050	LH	2510071	70403	CW	
BDP-21L-101		70580	71060	71043	2513031	71043	71043	LH	2510071	70403	CW	
Supercede With	PW-3DAA-KY2X-XXXX	70580	71060	2510066	2513031	70741	70741	LH	2510071	70403	CW	
BDP-21L-102	PW-1DQQ-KY1X-XXXX	70581	71060	2510066	2513030	2510027	2510027	LH	2510071	70403	CW	
BDP-21L-103	PW-1DPP-KY1X-XXXX	70581	71060	2510066	2513030	2510062	2510062	LH	2510071	70403	CW	
BDP-21L-104	PW-3DQQ-KY1X-XXXX	70580	71060	2510066	2513030	2510027	2510027	LH	2510071	70403	CW	
BDP-21L-105		70581	71060	71044	2513030	71044	71044	LH	2510071	70402	CW	
Supercede With	PW-1DCC-EY1X-XXXX	70581	71060	2510066	2513030	70743	70743	LH	2510071	70402	CW	
BDP-21L-106	PW-2DQQ-FY1X-XXXX	70578	71060	2510066	2513030	2510027	2510027	LH	2510080	70402	CW	
BDP-21L-112	PW-1DBC-KY1X-XXXX	70581	71060	2510066	2513030	70743	70743	LH	2510071	70403	CW	
BDP-21L-114	PW-1DCC-LB1X-XXXX	70581	71060	2510066	2513030	70743	70743	LH	70470	70402	CW	70896
BDP-21L-200		70581	71060	71043	2513031	71043	71043	RH	2510071	70403	CW	
Supercede With	PW-1AAA-KY2X-XXXX	70581	71060	2510066	2513031	70741	70741	RH	2510071	70403	CW	
BDP-21L-201		70580	71060	71043	2513031	71043	71043	RH	2510071	70403	CW	
Supercede With	PW-3AAA-KY2X-XXXX	70580	71060	2510066	2513031	70741	70741	RH	2510071	70403	CW	
BDP-21L-202	PW-1AQQ-KY1X-XXXX	70581	71060	2510066	2513030	2510027	2510027	RH	2510071	70403	CW	
BDP-21L-203	PW-1APP-KY1X-XXXX	70581	71060	2510066	2513030	2510062	2510062	RH	2510071	70403	CW	
BDP-21L-204	PW-2AQQ-FY1X-XXXX	70578	71060	2510066	2513030	2510027	2510027	RH	2510080	70402	CW	
BDP-21L-209	PW-1ABC-KY1X-XXXX	70581	71060	2510066	2513030	70742	70743	RH	2510071	70403	CW	
BDP-21L-212	PW-1ACC-EY1X-XXXX	70581	71060	2510066	2513030	70743	70743	RH	2510071	70402	CW	
BDP-21L-213	PW-1ACC-EG1X-XXXX	70581	71060	2510066	2513030	70743	70743	RH	2510071	70402	CW	70872
BDP-21L-300	PW-3KNN-KY1X-XXXX	70580	71060	2510066	2513030	2510050	2510050	LH	2510071	70403	CCW	
BDP-21L-301		70580	71060	71043	2513031	71043	71043	LH	2510071	70403	CCW	
Supercede With	PW-3KAA-KY2X-XXXX	70580	71060	2510066	2513031	70741	70741	LH	2510071	70403	CCW	
BDP-21L-302	PW-ZKRR-FY1X-XXXX	70647	71060	2510066	2513030	2510034	2510034	LH	2510080	70402	CCW	
BDP-21L-303	PW-5KQQ-FY1X-XXXX	2510091	71060	2510066	2513030	2510027	2510027	LH	2510080	70402	CCW	
BDP-21L-304	PW-1KQQ-EY1X-XXXX	70581	71060	2510066	2513030	2510027	2510027	LH	2510071	70402	CCW	
BDP-21L-305	PW-1KQQ-LY1X-XXXX	70581	71060	2510066	2513030	2510027	2510027	LH	70470	70402	CCW	
BDP-21L-306	PW-1KRR-MY1X-X1XX	70581	71060	70469	2513030	2510034	2510034	LH	70470	70403	CCW	
BDP-21L-307	PW-3KQQ-KY1X-XXXX	70580	71060	2510066	2513030	2510027	2510027	LH	2510071	70403	CCW	
BDP-21L-308		70581	71060	71045	2513030	71045	71045	LH	2510071	70402	CCW	
Supercede With	PW-1KQA-EY1X-XXXX	70581	71060	2510066	2513030	2510027	70741	LH	2510071	70402	CCW	
BDP-21L-309	PW-2KQQ-FY1X-XXXX	70578	71060	2510066	2513030	2510027	2510027	LH	2510080	70402	CCW	
BDP-21L-313	PW-1KBA-EY1X-XXXX	70581	71060	2510066	2513030	70742	70741	LH	2510071	70402	CCW	

# PW SERIES SERVICE SCHEMATIC (BDP-21L)

REFERENCE #	MODEL #	PUMP SHAFT	HOUSING	ENDCAP	BYPASS VALVE	CHECK VALVE	CHECK VALVE	TRUNNION	CHARGE PUMP	CHARGE RELIEF	INPUT	RTN
		KIT #1	KIT #15	KIT #25	KIT #50	RH KIT #42A	LH KIT #42B	ARM	KIT #40	KIT #44	ROTATION	KIT #10
BDP-21L-400	PW-ZGRR-FY1X-XXXX	70647	71060	2510066	2513030	2510034	2510034	RH	2510080	70402	CCW	
BDP-21L-401	PW-5GQQ-FY1X-XXXX	2510091	71060	2510066	2513030	2510027	2510027	RH	2510080	70402	CCW	
BDP-21L-402	PW-1GQQ-EY1X-XXXX	70581	71060	2510066	2513030	2510027	2510027	RH	2510071	70402	CCW	
BDP-21L-403	PW-1GQQ-LY1X-XXXX	70581	71060	2510066	2513030	2510027	2510027	RH	70470	70402	CCW	
BDP-21L-404	PW-1GRR-MY1X-X1XX	70581	71060	70469	2513030	2510034	2510034	RH	70470	70403	CCW	
BDP-21L-405		70581	71060	71046	2513030	71046	71046	RH	2510071	70402	CCW	
Supercede With	PW-1GAQ-EY1X-XXXX	70581	71060	2510066	2513030	70741	2510027	RH	2510071	70402	CCW	
BDP-21L-406	PW-2GQQ-FY1X-XXXX	70578	71060	2510066	2513030	2510027	2510027	RH	2510080	70402	CCW	
BDP-21L-408		70581	71060	71047	2513030	71047	71047	RH	2510080	70402	CCW	
Supercede With	PW-1LQC-EY1X-XXXX	70581	71060	70925	2513030	2510027	70743	RH	2510080	70402	CCW	
BDP-21L-409		70581	71060	71047	2513030	71047	71047	RH	2510071	70402	CCW	
Supercede With	PW-1LCC-EY1X-XXXX	70581	71060	70925	2513030	70743	2510027	RH	2510071	70402	CCW	
BDP-21L-412	PW-1GAB-EY1X-XXXX	70581	71060	2510066	2513030	70741	70742	RH	2510071	70402	CCW	
BDP-21L-415	PW-2GCC-FE1X-XXXX	70578	71060	2510066	2513030	70743	70743	RH	2510080	70402	CCW	70871
BDP-21L-418	PW-1LCC-EY1X-XXXX	70581	71060	70925	2513030	70743	70743	RH	2510071	70402	CCW	
BDP-21L-420	PW-1GCC-EY1X-XXXX	70581	71060	2510066	2513030	70743	70743	RH	2510071	70402	CCW	
BDP-21L-600		70581	71060	71048	2513031	71048	71048	LH	70472	70471	CW	
Supercede With	PW-1DAA-JY2X-XXXX	70581	71060	2510069	2513031	70741	70741	LH	70472	70471	CW	
BDP-21L-601	PW-1DQQ-YY1X-XXXX	70581	71060	2510069	2513030	2510027	2510027	LH	2510074	2510061	CW	
BDP-21L-602	PW-1DQQ-PY1X-XXXX	70581	71060	2510069	2513030	2510027	2510027	LH	70387	2510081	CW	
BDP-21L-604		70581	71060	71048	2513031	71048	71048	LH	70387	2510081	CW	
Supercede With	PW-1DCC-PY2X-XXXX	70581	71060	2510069	2513031	70743	70743	LH	70387	2510081	CW	
BDP-21L-605	PW-1DCC-JB1X-XXXX	70581	71060	2510069	2513030	70743	70743	LH	70472	70471	CW	70869
BDP-21L-606	PW-1DCC-PY1X-XXXX	70581	71060	2510069	2513030	70743	70743	LH	70472	70471	CW	
BDP-21L-700	PW-1APP-YY1X-XXXX	70581	71060	2510069	2513030	2510062	2510062	RH	2510074	2510061	CW	
BDP-21L-701	PW-1AQQ-JY1X-XXXX	70581	71060	2510069	2513030	2510027	2510027	RH	70472	70471	CW	
BDP-21L-800	PW-1KQQ-JY1X-XXXX	70581	71060	2510069	2513030	2510027	2510027	LH	70472	70471	CCW	
BDP-21L-801		70581	71060	71049	2513030	71049	71049	LH	70927	70926	CCW	
Supercede With	PW-1KQA-QY1X-XXXX	70581	71060	2510069	2513030	2510027	70741	LH	70927	70926	CCW	
BDP-21L-803	PW-1KCC-JC1X-X2XX	70581	71060	2510069	2513030	70743	70743	LH	70472	70471	CCW	70870
BDP-21L-900	PW-1GNQ-ZY1X-XXXX	70581	71060	2510069	2513030	2510050	2510027	RH	2510075	2510061	CCW	
BDP-21L-901		70581	71060	71049	2513030	71049	71049	RH	2510075	2510061	CCW	
Supercede With	PW-1GAA-ZY1X-XXXX	70581	71060	2510069	2513030	70741	70741	RH	2510075	2510061	CCW	
BDP-21L-902		70581	71060	71049	2513030	71049	71049	RH	70387	2510081	CCW	
Supercede With	PW-1GAA-PY1X-XXXX	70581	71060	2510069	2513030	70741	70741	RH	70387	2510081	CCW	
BDP-21L-903	PW-1GQQ-JY1X-X2XX	70581	71060	2510069	2513030	2510027	2510027	RH	70472	70471	CCW	
BDP-21L-904	PW-1GNP-ZY1X-XXXX	70581	71060	2510069	2513030	2510050	2510062	RH	2510075	2510061	CCW	



# PW SERIES SERVICE SCHEMATIC (BDP-21L)

## INPUT SHAFT AND HOUSING KITS

MODEL NUMBER: 

P	W	*			
1	2	3	4	5	6

 - 

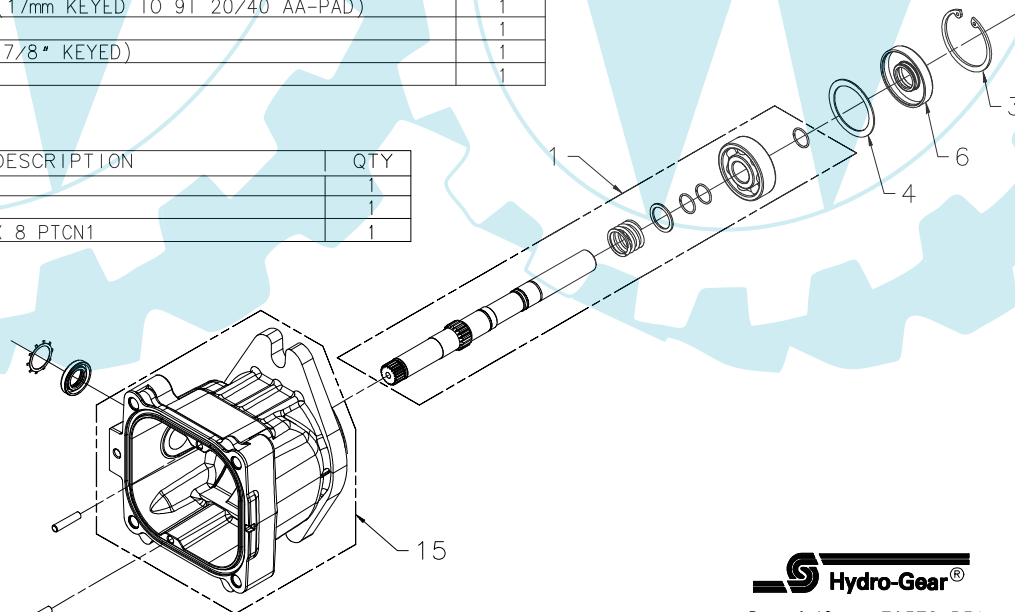
7	8	9	10		

 - 

11	12	13	14		

CHARACTER 3	ITEM #	PART #	DESCRIPTION	QTY
C	1	71022	KIT, SHAFT (13T 16/32 SPLINED)	1
	15	70528	KIT, HOUSING	1
D	1	71284	KIT, AXLE (7/8" KEYED)	1
	15	70528	KIT, HOUSING	1
P	1	70754	KIT, INPUT SHAFT (7/8" KEYED, PT 13-32 SPLINE)	1
	15	70528	KIT, HOUSING	1
T	1	70753	KIT, INPUT SHAFT (13T 16/32, 9T 16/32 SPLINE)	1
	15	70528	KIT, HOUSING	1
U	1	70605	KIT, INPUT SHAFT (13T 16/32 SPLINE)	1
	15	70528	KIT, HOUSING	1
V	1	70607	KIT, INPUT SHAFT (20T 32/64 TO 20T 32/64, CHG AUX)	1
	15	70533	KIT, HOUSING	1
W	1	71021	KIT, INPUT SHAFT (20T 32/64 TO 9T 32/64, A-PAD)	1
	15	70533	KIT, HOUSING	1
Y	1	71020	KIT, INPUT SHAFT (20T 32/64 TO 20/40, A-PAD)	1
	15	70533	KIT, HOUSING	1
Z	1	70647	KIT, PUMP SHAFT (17mm KEYED THRU TO 15T 32/64 SPLINE)	1
	15	71060	KIT, HOUSING	1
1	1	70581	KIT, INPUT SHAFT (17mm KEYED)	1
	15	71060	KIT, HOUSING	1
2	1	70578	KIT, INPUT SHAFT (17mm KEYED THRU)	1
	15	71060	KIT, HOUSING	1
3	1	70580	KIT, INPUT SHAFT (19T 32/64 SPLINE)	1
	15	71060	KIT, HOUSING	1
4	1	71019	KIT, INPUT SHAFT (17mm KEYED TAPERED)	1
	15	71060	KIT, HOUSING	1
5	1	2510091	KIT, INPUT SHAFT (17mm KEYED TAPERED, THRU)	1
	15	71060	KIT, HOUSING	1
6	1	70606	KIT, INPUT SHAFT (7/8" TAPERED KEYED, 20T 32/64 SPLINE)	1
	15	70528	KIT, HOUSING	1
7	1	70713	KIT, INPUT SHAFT (17mm KEYED TO 9T 20/40 AA-PAD)	1
	15	71060	KIT, HOUSING	1
A	1	71364	KIT, INPUT SHAFT (7/8" KEYED)	1
	15	70528	KIT, HOUSING	1

ITEM #	PART #	DESCRIPTION	QTY
3	2000038	RETAINING RING	1
4	2000023	SPACER	1
6	51092	LIP SEAL 17 X 47 X 8 PTCN1	1



# PW SERIES SERVICE SCHEMATIC (BDP-21L)

MODEL NUMBER: 

P	W
1	2

 - 

	*	*	
3	4	5	6

 - 

7	8	9	10

 - 

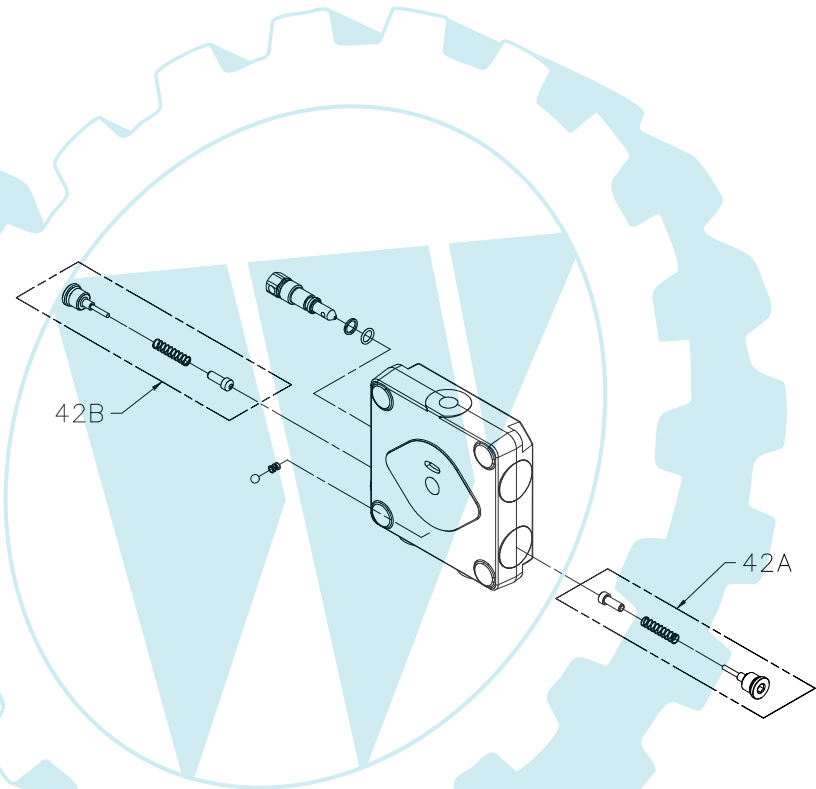
11	12	13	14

## SHOCK VALVE KITS, "A" SIDE

CHARACTER 5	ITEM #	PART #	DESCRIPTION	QTY
A		70741	KIT, SHOCK VALVE (200 BAR, BLANK ORIFICE)	1
B		70742	KIT, SHOCK VALVE (200 BAR, .024 ORIFICE)	1
C		70743	KIT, SHOCK VALVE (200 BAR, .031 ORIFICE)	1
D		70744	KIT, SHOCK VALVE (200 BAR, .044 ORIFICE)	1
E		70836	KIT, SHOCK VALVE (160 BAR, BLANK ORIFICE)	1
F		70837	KIT, SHOCK VALVE (160 BAR, .024 ORIFICE)	1
G		70838	KIT, SHOCK VALVE (160 BAR, .031 ORIFICE)	1
H		70839	KIT, SHOCK VALVE (160 BAR, .044 ORIFICE)	1
J	42A	70840	KIT, SHOCK VALVE (120 BAR, BLANK ORIFICE)	1
K		70841	KIT, SHOCK VALVE (120 BAR, .024 ORIFICE)	1
L		70842	KIT, SHOCK VALVE (120 BAR, .031 ORIFICE)	1
M		70843	KIT, SHOCK VALVE (120 BAR, .044 ORIFICE)	1
N		2510050	KIT, CHECK VALVE (BLANK ORIFICE)	1
P		2510062	KIT, CHECK VALVE (.024 ORIFICE)	1
Q		2510034	KIT, CHECK VALVE (.031 ORIFICE)	1
R		2510027	KIT, CHECK VALVE (.044 ORIFICE)	1

## SHOCK VALVE KITS, "B" SIDE

CHARACTER 6	ITEM #	PART #	DESCRIPTION	QTY
A		70741	KIT, SHOCK VALVE (200 BAR, BLANK ORIFICE)	1
B		70742	KIT, SHOCK VALVE (200 BAR, .024 ORIFICE)	1
C		70743	KIT, SHOCK VALVE (200 BAR, .031 ORIFICE)	1
D		70744	KIT, SHOCK VALVE (200 BAR, .044 ORIFICE)	1
E		70836	KIT, SHOCK VALVE (160 BAR, BLANK ORIFICE)	1
F		70837	KIT, SHOCK VALVE (160 BAR, .024 ORIFICE)	1
G		70838	KIT, SHOCK VALVE (160 BAR, .031 ORIFICE)	1
H		70839	KIT, SHOCK VALVE (160 BAR, .044 ORIFICE)	1
J	42B	70840	KIT, SHOCK VALVE (120 BAR, BLANK ORIFICE)	1
K		70841	KIT, SHOCK VALVE (120 BAR, .024 ORIFICE)	1
L		70842	KIT, SHOCK VALVE (120 BAR, .031 ORIFICE)	1
M		70843	KIT, SHOCK VALVE (120 BAR, .044 ORIFICE)	1
N		2510050	KIT, CHECK VALVE (BLANK ORIFICE)	1
P		2510062	KIT, CHECK VALVE (.024 ORIFICE)	1
Q		2510034	KIT, CHECK VALVE (.031 ORIFICE)	1
R		2510027	KIT, CHECK VALVE (.044 ORIFICE)	1



# PW SERIES SERVICE SCHEMATIC (BDP-21L)

MODEL NUMBER: 

P	W	-	*	*
1	2	-	3	4

 - 

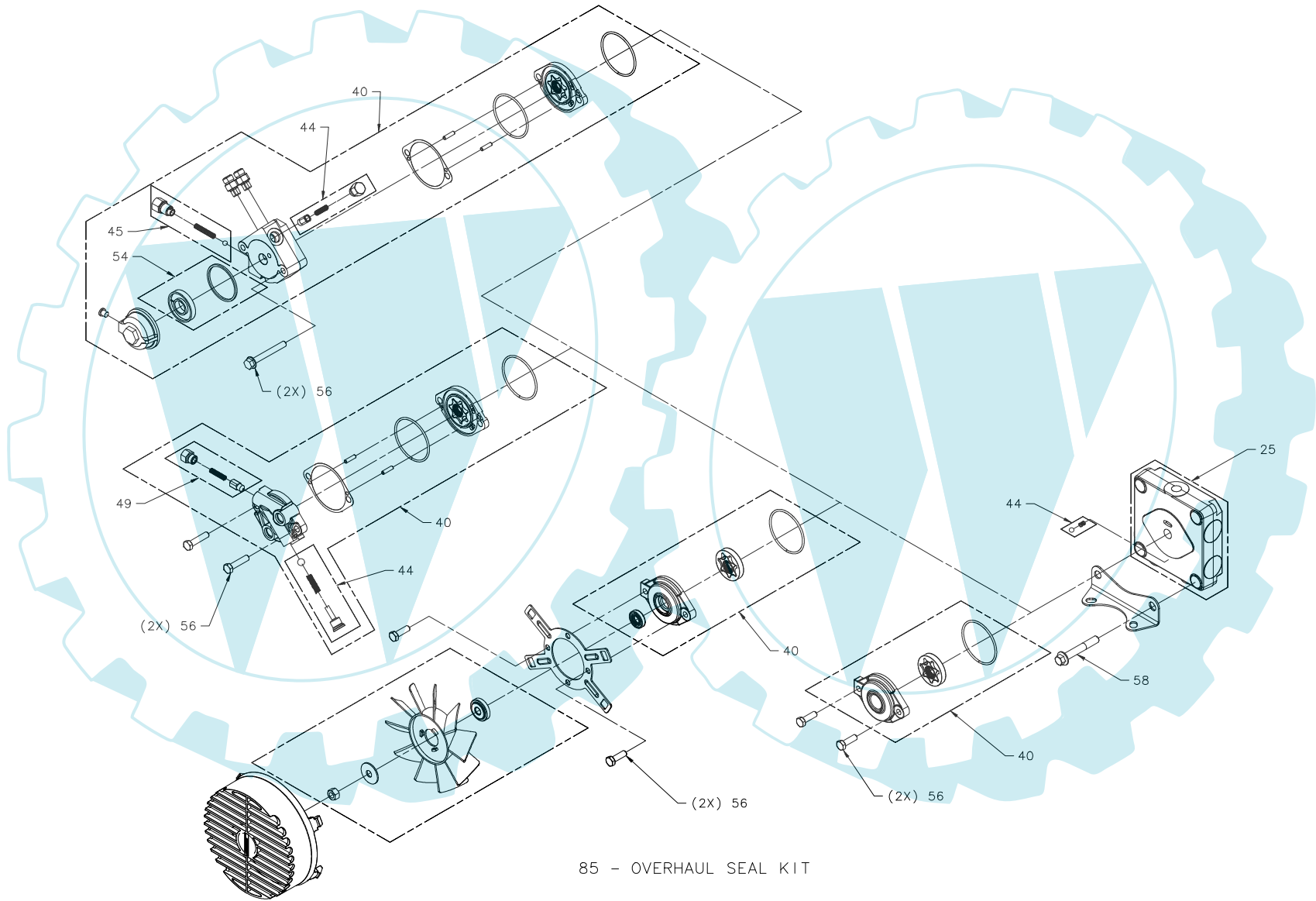
*	*	*	*
7	8	9	10

 - 

*	*	*	*
11	12	13	14

CHARACTER #: 

1	2	-	3	4	5	6	-	7	8	9	10	-	11	12	13	14
---	---	---	---	---	---	---	---	---	---	---	----	---	----	----	----	----



85 - OVERHAUL SEAL KIT

# PW SERIES SERVICE SCHEMATIC (BDP-21L)

MODEL NUMBER: 

P	W	*	*
1	2	3	4

 - 

*	*
5	6

 - 

*	*
7	8

 9 10 - 

*	*
11	12

 13 14

SHOCK VALVE KITS, *A* SIDE							
CHARACTER 7	CHARACTER 4	CHARACTER 12	ITEM #	PART #	DESCRIPTION	QTY	
E	A THRU D, G THRU K	1	25	70469	KIT, END CAP	1	
			40	2510071	KIT, CHARGE PUMP	1	
			44	70402	KIT, CHARGE RELIEF	1	
			56	9007200-3116	SCREW, 5/16-18 X 1 LG.	2	
			58	71059	KIT, HSG BOLT	1	
			25	2510066	KIT, END CAP	1	
	E, F, L, OR M	X	1	40	2510071	KIT, CHARGE PUMP	1
				44	70402	KIT, CHARGE RELIEF	1
				56	9007200-3116	SCREW, 5/16-18 X 1 LG.	2
				58	71059	KIT, HSG BOLT	1
				25	70925	KIT, END CAP	1
				40	2510071	KIT, CHARGE PUMP	1
T, U, V OR W	X	1	44	70402	KIT, CHARGE RELIEF	1	
			56	9007200-3116	SCREW, 5/16-18 X 1 LG.	2	
			58	71059	KIT, HSG BOLT	1	
			25	2510066	KIT, END CAP	1	
			40	2510071	KIT, CHARGE PUMP	1	
			44	70402	KIT, CHARGE RELIEF	1	
G	A THRU D, G THRU K	1	25	70469	KIT, END CAP	1	
			40	70924	KIT, CHARGE PUMP	1	
			44	70402	KIT, CHARGE RELIEF	1	
			56	9007200-3116	SCREW, 5/16-18 X 1 LG.	2	
			58	71059	KIT, HSG BOLT	1	
			25	2510066	KIT, END CAP	1	
	E, F, L, OR M	X	1	40	70924	KIT, CHARGE PUMP	1
				44	70402	KIT, CHARGE RELIEF	1
				56	9007200-3116	SCREW, 5/16-18 X 1 LG.	2
				58	71059	KIT, HSG BOLT	1
				25	70925	KIT, END CAP	1
				40	70924	KIT, CHARGE PUMP	1
T, U, V OR W	X	1	44	70402	KIT, CHARGE RELIEF	1	
			56	9007200-3116	SCREW, 5/16-18 X 1 LG.	2	
			58	71059	KIT, HSG BOLT	1	
			25	2510066	KIT, END CAP	1	
			40	70924	KIT, CHARGE PUMP	1	
			44	70402	KIT, CHARGE RELIEF	1	
U	A THRU D, G THRU K	1	25	70469	KIT, END CAP	1	
			40	70924	KIT, CHARGE PUMP	1	
			44	71361	KIT, CHARGE RELIEF	1	
			56	9007200-3116	SCREW, 5/16-18 X 1 LG.	2	
			58	71059	KIT, HSG BOLT	1	
			25	2510066	KIT, END CAP	1	
	E, F, L, OR M	X	1	40	70924	KIT, CHARGE PUMP	1
				44	71361	KIT, CHARGE RELIEF	1
				56	9007200-3116	SCREW, 5/16-18 X 1 LG.	2
				58	71059	KIT, HSG BOLT	1
				25	70925	KIT, END CAP	1
				40	70924	KIT, CHARGE PUMP	1
T, U, V OR W	X	1	44	71361	KIT, CHARGE RELIEF	1	
			56	9007200-3116	SCREW, 5/16-18 X 1 LG.	2	
			58	71059	KIT, HSG BOLT	1	
			25	2510066	KIT, END CAP	1	
			40	70924	KIT, CHARGE PUMP	1	
			44	71361	KIT, CHARGE RELIEF	1	

SHOCK VALVE KITS, *A* SIDE							
CHARACTER 7	CHARACTER 4	CHARACTER 12	ITEM #	PART #	DESCRIPTION	QTY	
K	A THRU D, G THRU K	1	25	70469	KIT, END CAP	1	
			40	2510071	KIT, CHARGE PUMP	1	
			44	70403	KIT, CHARGE RELIEF	1	
			56	9007200-3116	SCREW, 5/16-18 X 1 LG.	2	
			58	71059	KIT, HSG BOLT	1	
			25	2510066	KIT, END CAP	1	
	E, F, L, OR M	X	1	40	2510071	KIT, CHARGE PUMP	1
				44	70403	KIT, CHARGE RELIEF	1
				56	9007200-3116	SCREW, 5/16-18 X 1 LG.	2
				58	71059	KIT, HSG BOLT	1
				25	70925	KIT, END CAP	1
				40	2510071	KIT, CHARGE PUMP	1
T, U, V OR W	X	1	44	70403	KIT, CHARGE RELIEF	1	
			56	9007200-3116	SCREW, 5/16-18 X 1 LG.	2	
			58	71059	KIT, HSG BOLT	1	
			25	2510066	KIT, END CAP	1	
			40	2510071	KIT, CHARGE PUMP	1	
			44	70403	KIT, CHARGE RELIEF	1	
F	A THRU D, G THRU K	1	25	70469	KIT, END CAP	1	
			40	70469	KIT, END CAP	1	
			44	70402	KIT, CHARGE RELIEF	1	
			56	9007200-3116	SCREW, 5/16-18 X 1 LG.	2	
			58	71059	KIT, HSG BOLT	1	
			25	2510066	KIT, END CAP	1	
	E, F, L, OR M	X	1	40	2510080	KIT, CHARGE PUMP	1
				44	70402	KIT, CHARGE RELIEF	1
				56	9007200-3116	SCREW, 5/16-18 X 1 LG.	2
				58	71059	KIT, HSG BOLT	1
				25	70925	KIT, END CAP	1
				40	2510080	KIT, CHARGE PUMP	1
T, U, V OR W	X	1	44	70402	KIT, CHARGE RELIEF	1	
			56	9007200-3116	SCREW, 5/16-18 X 1 LG.	2	
			58	71059	KIT, HSG BOLT	1	
			25	70469	KIT, END CAP	1	
			40	2510071	KIT, CHARGE PUMP	1	
			44	71361	KIT, CHARGE RELIEF	1	

ITEM #	PART #	DESCRIPTION	QTY
45	2510082	AUX RELIEF VALVE KIT	1
49	2510020	AUX BYPASS/CHECK KIT	1
54	2510090	AUXILIARY FILTER KIT	1
58	71059	KIT, HSG BOLT	1
85	2510073	OVERHAUL SEAL KIT	1



# PW SERIES SERVICE SCHEMATIC (BDP-21L)

MODEL NUMBER: 

P	W
1	2

 - 

*			
3	4	5	6

 - 

*			
7	8	9	10

 - 

*			
11	12	13	14

SHOCK VALVE KITS, \*A\* SIDE

CHARACTER 7	CHARACTER 4	CHARACTER 12	ITEM #	PART #	DESCRIPTION	QTY	
L	A THRU D, G THRU K	1	25	70469	KIT, END CAP	1	
			40	70470	KIT, CHARGE PUMP	1	
			44	70402	KIT, CHARGE RELIEF	1	
			56	9007200-3116	SCREW, 5/16-18 X 1 LG.	2	
			58	71059	KIT, HSG BOLT	1	
			25	2510066	KIT, END CAP	1	
	E, F, L, OR M	X	1	40	70470	KIT, CHARGE PUMP	1
				44	70402	KIT, CHARGE RELIEF	1
				56	9007200-3116	SCREW, 5/16-18 X 1 LG.	2
				58	71059	KIT, HSG BOLT	1
				25	70925	KIT, END CAP	1
				40	70470	KIT, CHARGE PUMP	1
M	A THRU D, G THRU K	1	25	70469	KIT, END CAP	1	
			40	70470	KIT, CHARGE PUMP	1	
			44	70403	KIT, CHARGE RELIEF	1	
			56	9007200-3116	SCREW, 5/16-18 X 1 LG.	2	
			58	71059	KIT, HSG BOLT	1	
			25	2510066	KIT, END CAP	1	
	E, F, L, OR M	X	1	40	70470	KIT, CHARGE PUMP	1
				44	70403	KIT, CHARGE RELIEF	1
				56	9007200-3116	SCREW, 5/16-18 X 1 LG.	2
				58	71059	KIT, HSG BOLT	1
				25	70925	KIT, END CAP	1
				40	70470	KIT, CHARGE PUMP	1
N	A THRU D, G THRU K	1	25	70469	KIT, END CAP	1	
			40	2510080	KIT, CHARGE PUMP	1	
			44	70403	KIT, CHARGE RELIEF	1	
			56	9007200-3116	SCREW, 5/16-18 X 1 LG.	2	
			58	71059	KIT, HSG BOLT	1	
			25	2510066	KIT, END CAP	1	
	E, F, L, OR M	X	1	40	2510080	KIT, CHARGE PUMP	1
				44	70403	KIT, CHARGE RELIEF	1
				56	9007200-3116	SCREW, 5/16-18 X 1 LG.	2
				58	71059	KIT, HSG BOLT	1
				25	70925	KIT, END CAP	1
				40	2510080	KIT, CHARGE PUMP	1

SHOCK VALVE KITS, \*A\* SIDE

CHARACTER 7	ITEM #	PART #	DESCRIPTION	QTY
J	25	2510069	KIT, END CAP	1
	40	70472	KIT, CHARGE PUMP	1
	44	70471	KIT, CHARGE RELIEF	1
	56	51055	FH SCREW 5/16-18 X 2.5 LG.	2
	58	71059	KIT, HSG BOLT	1
	25	2510069	KIT, END CAP	1
P	40	70387	KIT, CHARGE PUMP	1
	44	70471	KIT, CHARGE RELIEF	1
	56	51055	FH SCREW 5/16-18 X 2.5 LG.	2
	58	71059	KIT, HSG BOLT	1
	25	2510069	KIT, END CAP	1
	40	70927	KIT, CHARGE PUMP	1
Q	44	70926	KIT, CHARGE RELIEF	1
	56	51055	FH SCREW 5/16-18 X 2.5 LG.	2
	58	71059	KIT, HSG BOLT	1
	25	2510069	KIT, END CAP	1
	40	2510074	KIT, CHARGE PUMP (SPLINED, CW)	1
	44	2510061	KIT, CHARGE RELIEF	1
Y	56	9007200-3123	HEX SCREW, 5/16-18 X 2.5 LG.	2
	58	71059	KIT, HSG BOLT	1
	25	2510069	KIT, END CAP	1
	40	2510075	KIT, CHARGE PUMP (SPLINED, CCW)	1
	44	2510061	KIT, CHARGE RELIEF	1
	56	9007200-3123	HEX SCREW, 5/16-18 X 2.5 LG.	2
Z	58	71059	KIT, HSG BOLT	1
	25	70529	KIT, END CAP	1
	58	71059	KIT, HSG BOLT	1
	80	9004800-2506	PIN, HEADLESS	2
	25	70529	KIT, END CAP	1
	58	71059	KIT, HSG BOLT	1
1	80	9004800-2506	PIN, HEADLESS	2
	25	70529	KIT, END CAP	1
	58	71059	KIT, HSG BOLT	1
	80	9004800-2506	PIN, HEADLESS	2
	25	70529	KIT, END CAP	1
	58	71059	KIT, HSG BOLT	1
2	80	9004800-2506	PIN, HEADLESS	2
	25	70529	KIT, END CAP	1
	58	71059	KIT, HSG BOLT	1
	80	9004800-2506	PIN, HEADLESS	2
	25	70529	KIT, END CAP	1
	58	71059	KIT, HSG BOLT	1
3	80	9004800-2506	PIN, HEADLESS	2
	25	70529	KIT, END CAP	1
	58	71059	KIT, HSG BOLT	1
	80	9004800-2506	PIN, HEADLESS	2
	25	70529	KIT, END CAP	1
	58	71059	KIT, HSG BOLT	1
4	80	9004800-2506	PIN, HEADLESS	2
	25	70529	KIT, END CAP	1
	58	71059	KIT, HSG BOLT	1
	80	9004800-2506	PIN, HEADLESS	2
	25	70529	KIT, END CAP	1
	58	71059	KIT, HSG BOLT	1



# PW SERIES SERVICE SCHEMATIC (BDP-21L)

MODEL NUMBER: 

P	W
1	2

 - 

3	4	5	6
---	---	---	---

 - 

*			
7	8	9	10

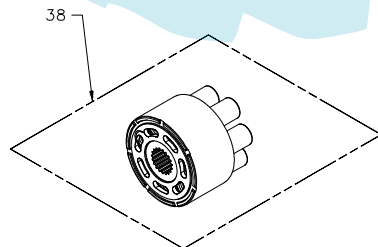
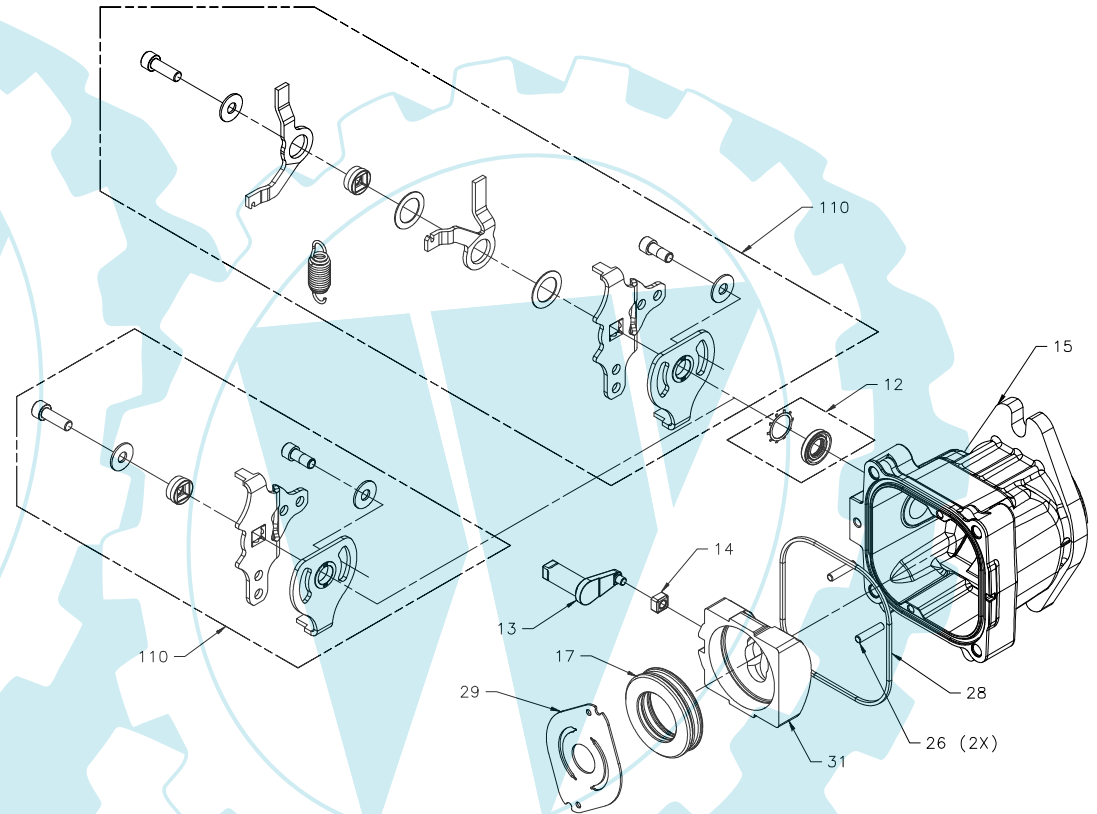
 - 

11	12	13	14
----	----	----	----

## TRUNNION ARMS AND RETURN KITS

CHARACTER	ITEM #	COMPONENT #	DESCRIPTION	QTY
A, B	13	51596	TRUNNION ARM, TAPER SQUARE	1
	110	70869	KIT, RETURN	1
C, D	13	51596	TRUNNION ARM, TAPER SQUARE	1
	110	70870	KIT, RETURN	1
E, F	13	51596	TRUNNION ARM, TAPER SQUARE	1
	110	70871	KIT, RETURN	1
G, H	13	51596	TRUNNION ARM, TAPER SQUARE	1
	110	70872	KIT, RETURN	1
J, K	13	51596	TRUNNION ARM, TAPER SQUARE	1
	110	70873	KIT, RETURN	1
L, M	13	51596	TRUNNION ARM, TAPER SQUARE	1
	110	70874	KIT, RETURN	1
N, P	13	51596	TRUNNION ARM, TAPER SQUARE	1
	110	71034	KIT, RETURN	1
Q, R	13	51596	TRUNNION ARM, TAPER SQUARE	1
	110	71035	KIT, RETURN	1
T, U	13	51596	TRUNNION ARM, TAPER SQUARE	1
	110	71036	KIT, RETURN	1
V, W	13	51596	TRUNNION ARM, TAPER SQUARE	1
	110	70899	KIT, RETURN	1
Y	13	2000014	TRUNNION ARM, DOUBLE D	1
1	13	51596	TRUNNION ARM, TAPER SQUARE	1

ITEM #	PART #	DESCRIPTION	QTY
12	70739	TRUNNION SEAL KIT	1
14	2000015	SLOT GUIDE	1
15	71060	HOUSING KIT	1
17	50552	THRUST BALL BEARING ASSEMBLY	1
26	50641	PIN	2
28	50381	O-RING	1
29	51764	VALVE PLATE	1
31	50203	VARIABLE SWASHPLATE	1
38	70082	CYLINDER BLOCK KIT	1



# PW SERIES SERVICE SCHEMATIC (BDP-21L)

MODEL NUMBER: 

P	W	-							
1	2	-	3	4	5	6	-	*	*

 - 

*	*	-							
7	8	9	10	-	*				

 - 

*									
11	12	13	14						

## BYPASS VALVE KITS

CHARACTER 9	ITEM #	COMPONENT #	DESCRIPTION	QTY
1	50	2513030	KIT, BYPASS	1
2		2513031	KIT, BYPASS	1

## FAN KITS

CHARACTER 10	ITEM #	COMPONENT #	DESCRIPTION	QTY
X	90	N/A	N/A	0
A	90	71287	KIT, FAN 6" CW	1
B	90	71287	KIT, FAN 6" CW	1
	209	52016	BRACKET, SHROUD	1
C	90	71287	KIT, FAN 6" CW	1
	209	52016	BRACKET, SHROUD	1
	210	52059	SHROUD, FAN	1
D	90	71287	KIT, FAN 6" CW	1
	209	52016	BRACKET, SHROUD	1
E	90	71287	KIT, FAN 6" CW	1
	209	52016	BRACKET, SHROUD	1
1	210	52059	SHROUD, FAN	1
	90	70916	KIT, FAN 7" CW	1
2	90	70618	KIT, FAN 7" CCW	1
3	90	70675	KIT, FAN 6" CCW	1
4	90	70888	KIT, FAN 7" CW	1
F	90	70888	KIT, FAN 6" CW	1
	209	52355	BRACKET, SHROUD	1
G	90	70888	KIT, FAN 6" CW	1
	209	52355	BRACKET, SHROUD	1
	210	52354	SHROUD, FAN	1
H	90	70888	KIT, FAN 6" CW	1
	209	52355	BRACKET, SHROUD	1
J	90	70888	KIT, FAN 6" CW	1
	209	52355	BRACKET, SHROUD	1
	210	52354	SHROUD, FAN	1

## TORQUE BRACKET

CHARACTER 11	ITEM #	COMPONENT #	DESCRIPTION	QTY
X	60	N/A	N/A	0
1,2,3,4 & 7		51593	MOUNTING BRACKET	1

