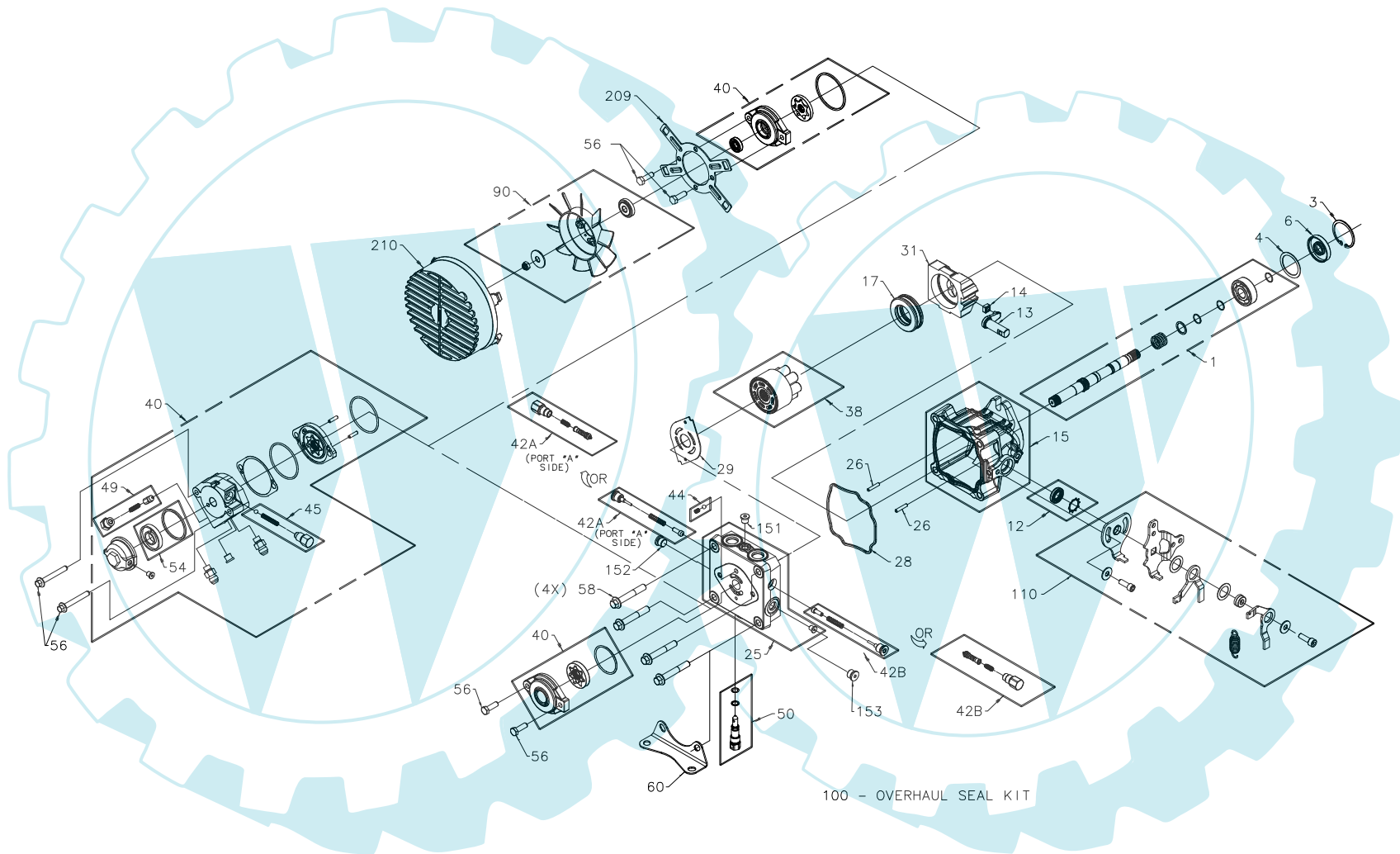


PR SERIES SERVICE SCHEMATIC (P-16A)



PR SERIES SERVICE SCHEMATIC (P-16A)

REFERENCE NO	MODEL NO	PUMP SHAFT (KIT #1)	HOUSING (KIT #15)	ENDCAP (KIT #25)	BYPASS VALVE (KIT #50)	CHECK VALVE RH(KIT #42A)	CHECK VALVE LH(KIT #42B)	TRUNNION ARM	CHARGE PUMP (KIT #40)	CHARGE RELIEF (KIT #44)	INPUT ROTATION	RTN (KIT #110)
BDP-16A-100	PR-1DNN-KY1X-XXXX	70581	70738	70736	2513030	2510050	2510050	LH	70470	70402	CW	
BDP-16A-105	PR-2DAA-GA11-XXXX	70578	70738	70736	2513030	70741	70741	LH	70924	70402	CW	70869
BDP-16A-200	PR-3ACC-EY1X-XXXX	70580	70738	70736	2513030	70743	70743	RH	70470	70402	CW	
BDP-16A-203	PR-1AAA-EY1X-XXXX	70581	70738	70736	2513030	70741	70741	RH	70470	70402	CW	
BDP-16A-301	PR-3JCC-EY1X-XXXX	70580	70738	70736	2513030	70743	70743	LH	2510080	70402	CCW	
BDP-16A-302	PR-5JQC-FY1X-X1XX	2510091	70738	71101	2513030	2510027	70743	LH	70924	70402	CCW	
BDP-16A-306	PR-1MCC-EY1X-XXXX	70581	70738	70736	2513030	70743	70743	LH	2510071	70402	CCW	
BDP-16A-307	PR-1JBC-EY1X-XXXX	70581	70738	70736	2513030	70742	70743	LH	2510071	70402	CCW	
BDP-16A-308	PR-1KCC-EY1X-XXXX	70581	70738	70736	2513030	70743	70743	LH	2510071	70402	CCW	
BDP-16A-312	PR-1KCC-EG1X-XXXX	70581	70738	70736	2513030	70743	70743	LH	2510071	70402	CCW	70872
BDP-16A-315	PR-2KDD-G11X-XXXX	70578	70738	70736	2513030	70744	70744	LH	70924	70402	CCW	
BDP-16A-401	PR-5GQC-FY1X-X1XX	2510091	70738	71101	2513030	2510027	70743	RH	70924	70402	CCW	
BDP-16A-407	PR-1HCC-EY1X-XXXX	70581	70738	70736	2513030	70743	70743	RH	2510071	70402	CCW	
BDP-16A-409	PR-1LCC-EY1X-XXXX	70581	70738	70801	2513030	70743	70743	RH	2510071	70402	CCW	
BDP-16A-410	PR-1HCC-EY1X-XXXX	70581	70738	70736	2513030	70742	70743	RH	2510071	70402	CCW	
BDP-16A-414	PR-1HCC-EG1X-XXXX	70581	70738	70736	2513030	70743	70743	RH	2510071	70402	CCW	70872
BDP-16A-416	PR-2HDD-G11X-XXXX	70578	70738	70736	2513030	70744	70744	RH	70924	70402	CCW	
BDP-16A-801	PR-1KCC-JY1X-XXXX	70581	70738	70737	2513030	70743	70743	LH	70472	70471	CCW	
BDP-16A-901	PR-1HCC-JA1X-XXXX	70581	70738	70737	2513030	70743	70743	RH	70472	70471	CCW	70869

PR SERIES SERVICE SCHEMATIC (P-16A)

MODEL NUMBER:

P	R
1	2

 -

*			
3	4	5	6

 -

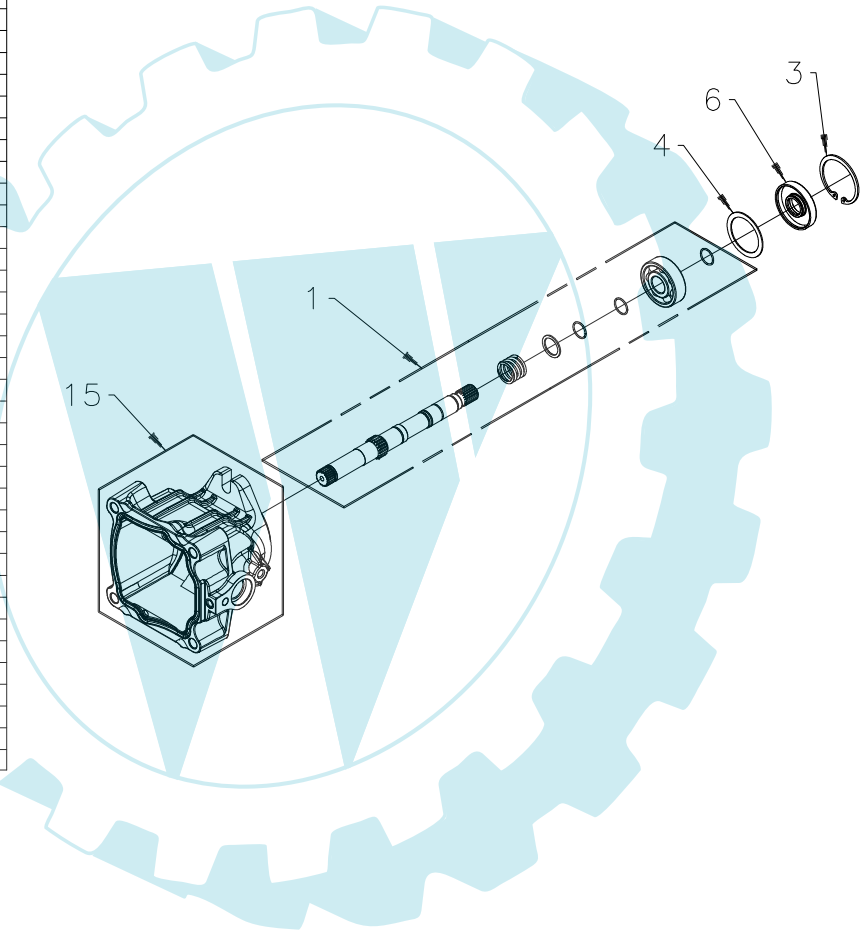
7	8	9	10

 -

11	12	13	14

INPUT SHAFT AND HOUSING KITS

CHARACTER	ITEM #	COMPONENT #	DESCRIPTION	QTY
C	1	71283	KIT, AXLE (11T SPLINE)	1
	15	70965	KIT, HOUSING	1
D	1	71284	KIT, AXLE (7/8" KEYED)	1
	15	70965	KIT, HOUSING	1
M	1	71280	KIT, INPUT SHAFT (11 TOOTH)	1
	15	70965	KIT, HOUSING	1
N	1	71285	KIT, AXLE (9T/11T SPLINE)	1
	15	70965	KIT, HOUSING	1
P	1	70754	KIT, INPUT SHAFT (7/8 KEYED, PT 13-32 SPLINE)	1
	15	70965	KIT, HOUSING	1
T	1	70753	KIT, INPUT SHAFT (13T 16/32, 9T 16/32 SPLINE)	1
	15	70965	KIT, HOUSING	1
U	1	70605	KIT, INPUT SHAFT (13T 16/32 SPLINE)	1
	15	70965	KIT, HOUSING	1
V	1	70607	KIT, INPUT SHAFT (20T 32/64 TO 20T 32/64, CHG AUX)	1
	15	70966	KIT, HOUSING	1
W	1	71021	KIT, INPUT SHAFT (20T 32/64 TO 9T 32/64, A-PAD)	1
	15	70966	KIT, HOUSING	1
Y	1	71020	KIT, INPUT SHAFT (20T 32/64 TO 9T 20/40, A-PAD)	1
	15	70966	KIT, HOUSING	1
1	1	70581	KIT, INPUT SHAFT (17mm KEYED)	1
	15	70738	KIT, HOUSING	1
2	1	70578	KIT, INPUT SHAFT (17mm KEYED THRU)	1
	15	70738	KIT, HOUSING	1
3	1	70580	KIT, INPUT SHAFT (19T 32/64 SPLINE)	1
	15	70738	KIT, HOUSING	1
4	1	71019	KIT, INPUT SHAFT (17mm KEYED TAPERED)	1
	15	70738	KIT, HOUSING	1
5	1	2510091	KIT, INPUT SHAFT (17mm KEYED TAPERED, THRU)	1
	15	70738	KIT, HOUSING	1
6	1	70606	KIT, INPUT SHAFT (7/8 TAPERED KEYED, 20T 32/64 SPLINE)	1
	15	70965	KIT, HOUSING	1
7	1	70713	KIT, INPUT SHAFT (17mm KEYED, 9T 20/40 AA-PAD)	1
	15	70738	KIT, HOUSING	1
8	1	71286	KIT, AXLE SHAFT (TAPERED)	1
	15	70738	KIT, HOUSING	1
A	1	71364	KIT, INPUT SHAFT (7/8" KEYED)	1
	15	70528	KIT, HOUSING	1



ITEM	COMPONENT #	DESCRIPTION	QTY
3	2000038	RETAINING RING	1
4	2000023	SPACER	1
6	51092	LIP SEAL 17 X 47 X 8 PTCN1	1

PR SERIES SERVICE SCHEMATIC (P-16A)

MODEL NUMBER:

P	R
1	2

 -

	*	*
3	4	6

 -

7	8	10

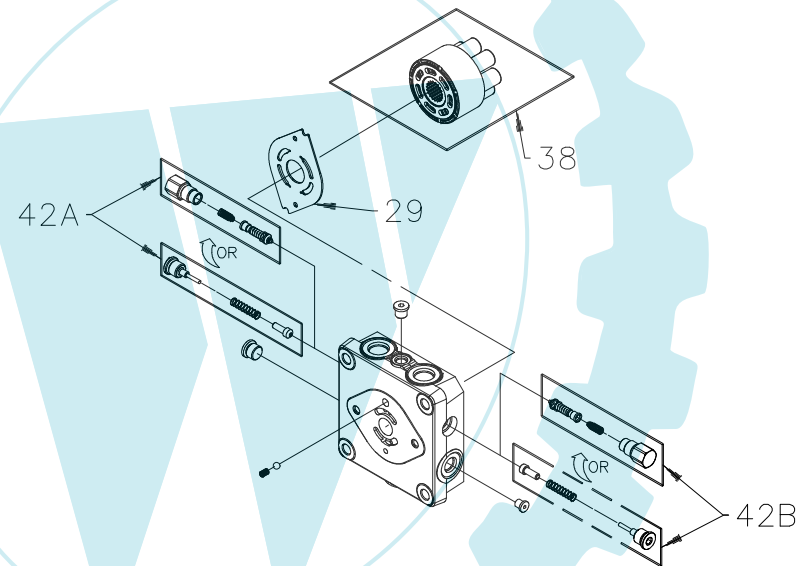
 -

11	12	14

SHOCK VALVE KITS, "A" SIDE				
CHARACTER 5	ITEM #	COMPONENT #	DESCRIPTION	QTY
A		70741	KIT, SHOCK VALVE (200 BAR, BLANK ORIFICE)	1
B		70742	KIT, SHOCK VALVE (200 BAR, .024 ORIFICE)	1
C		70743	KIT, SHOCK VALVE (200 BAR, .031 ORIFICE)	1
D		70744	KIT, SHOCK VALVE (200 BAR, .044 ORIFICE)	1
E		70836	KIT, SHOCK VALVE (160 BAR, BLANK ORIFICE)	1
F		70837	KIT, SHOCK VALVE (160 BAR, .024 ORIFICE)	1
G		70838	KIT, SHOCK VALVE (160 BAR, .031 ORIFICE)	1
H		70839	KIT, SHOCK VALVE (160 BAR, .044 ORIFICE)	1
J	42A	70840	KIT, SHOCK VALVE (120 BAR, BLANK ORIFICE)	1
K		70841	KIT, SHOCK VALVE (120 BAR, .024 ORIFICE)	1
L		70842	KIT, SHOCK VALVE (120 BAR, .031 ORIFICE)	1
M		70843	KIT, SHOCK VALVE (120 BAR, .044 ORIFICE)	1
N		2510050	KIT, CHECK VALVE (BLANK ORIFICE)	1
P		2510062	KIT, CHECK VALVE (.024 ORIFICE)	1
Q		2510034	KIT, CHECK VALVE (.044 ORIFICE)	1
R		2510027	KIT, CHECK VALVE (.031 ORIFICE)	1

SHOCK VALVE KITS, "B" SIDE				
CHARACTER 6	ITEM #	COMPONENT #	DESCRIPTION	QTY
A		70741	KIT, SHOCK VALVE (200 BAR, BLANK ORIFICE)	1
B		70742	KIT, SHOCK VALVE (200 BAR, .024 ORIFICE)	1
C		70743	KIT, SHOCK VALVE (200 BAR, .031 ORIFICE)	1
D		70744	KIT, SHOCK VALVE (200 BAR, .044 ORIFICE)	1
E		70836	KIT, SHOCK VALVE (160 BAR, BLANK ORIFICE)	1
F		70837	KIT, SHOCK VALVE (160 BAR, .024 ORIFICE)	1
G		70838	KIT, SHOCK VALVE (160 BAR, .031 ORIFICE)	1
H		70839	KIT, SHOCK VALVE (160 BAR, .044 ORIFICE)	1
J	42B	70840	KIT, SHOCK VALVE (120 BAR, BLANK ORIFICE)	1
K		70841	KIT, SHOCK VALVE (120 BAR, .024 ORIFICE)	1
L		70842	KIT, SHOCK VALVE (120 BAR, .031 ORIFICE)	1
M		70843	KIT, SHOCK VALVE (120 BAR, .044 ORIFICE)	1
N		2510050	KIT, CHECK VALVE (BLANK ORIFICE)	1
P		2510062	KIT, CHECK VALVE (.024 ORIFICE)	1
Q		2510034	KIT, CHECK VALVE (.044 ORIFICE)	1
R		2510027	KIT, CHECK VALVE (.031 ORIFICE)	1

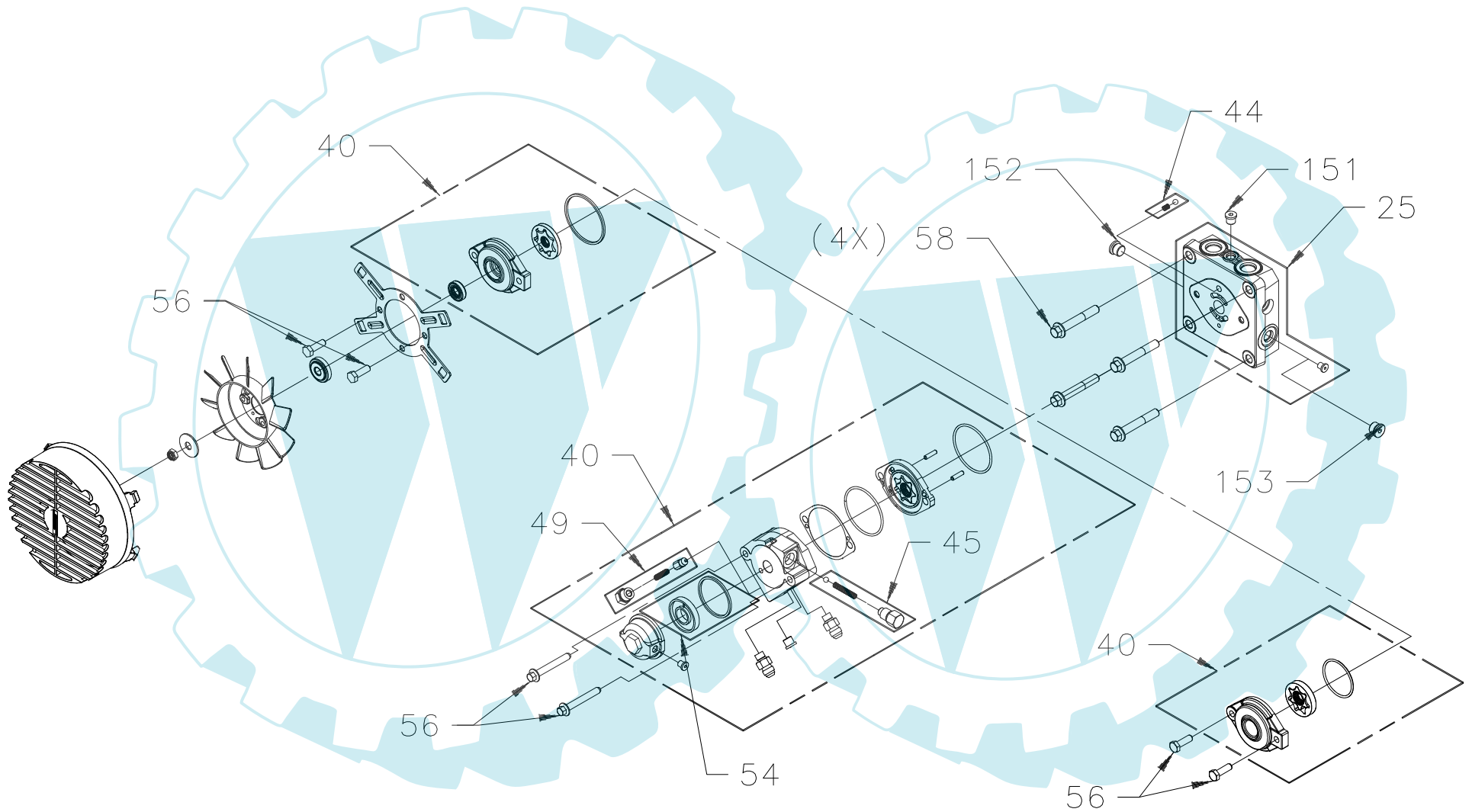
ITEM #	COMPONENT #	DESCRIPTION	QTY
29	52371	VALVE PLATE	1
38	70735	CYLINDER BLOCK KIT (16cc)	1



PR SERIES SERVICE SCHEMATIC (P-16A)

MODEL NUMBER:

P	R	-	*			-	*				-	*				
1	2	-	3	4	5	6	-	7	8	9	10	-	11	12	13	14



PR SERIES SERVICE SCHEMATIC (P-16A)

MODEL NUMBER:

P	R
1	2

 -

*			
3	4	5	6

 -

*			
7	8	9	10

 -

*			
11	12	13	14

				END CAP & CHARGE PUMP KITS			
CHARACTER 7	CHARACTER 4	CHARACTER 12	ITEM #	COMPONENT #	DESCRIPTION	QTY	
E	A THRU D, G THRU K	1	25	71101	KIT, END CAP	1	
			40	2510071	KIT, CHARGE PUMP	1	
			44	70402	KIT, CHARGE RELIEF	1	
			56	50173	SCREW, M8 X 1.25 X 25mm LONG	2	
			58	51457	HEX SCREW, FH M10 X 65mm	4	
			25	70736	KIT, END CAP (W/POPPETS & STD CHG)	1	
	E, F, L OR M	X	1	40	2510071	KIT, CHARGE PUMP	1
				44	70402	KIT, CHARGE RELIEF	1
				56	50173	SCREW, M8 X 1.25 X 25mm LONG	2
				58	51457	HEX SCREW, FH M10 X 65mm	4
				25	70736	KIT, END CAP (W/POPPETS & STD CHG)	1
				40	2510071	KIT, CHARGE PUMP	1
T, U, V OR W	1	1	44	70402	KIT, CHARGE RELIEF	1	
			56	50173	SCREW, M8 X 1.25 X 25mm LONG	2	
			58	51457	HEX SCREW, FH M10 X 65mm	4	
			25	71101	KIT, END CAP	1	
			40	70924	KIT, CHARGE PUMP	1	
			44	70402	KIT, CHARGE RELIEF	1	
G	A THRU D, G THRU K	1	56	50173	SCREW, M8 X 1.25 X 25mm LONG	2	
			58	51457	HEX SCREW, FH M10 X 65mm	4	
			25	70736	KIT, END CAP (W/POPPETS & STD CHG)	1	
			40	70924	KIT, CHARGE PUMP	1	
			44	70402	KIT, CHARGE RELIEF	1	
			56	50173	SCREW, M8 X 1.25 X 25mm LONG	2	
	E, F, L OR M	X	1	58	51457	HEX SCREW, FH M10 X 65mm	4
				25	70801	KIT, END CAP	1
				40	70924	KIT, CHARGE PUMP	1
				44	70402	KIT, CHARGE RELIEF	1
				56	50173	SCREW, M8 X 1.25 X 25mm LONG	2
				58	51457	HEX SCREW, FH M10 X 65mm	4
T, U, V OR W	1	1	25	70736	KIT, END CAP (W/POPPETS & STD CHG)	1	
			40	70924	KIT, CHARGE PUMP	1	
			44	70402	KIT, CHARGE RELIEF	1	
			56	50173	SCREW, M8 X 1.25 X 25mm LONG	2	
			58	51457	HEX SCREW, FH M10 X 65mm	4	
			25	71101	KIT, END CAP	1	
U	A THRU D, G THRU K	1	40	70924	KIT, CHARGE PUMP	1	
			44	71361	KIT, CHARGE RELIEF	1	
			56	50173	SCREW, M8 X 1.25 X 25mm LONG	2	
			58	51457	HEX SCREW, FH M10 X 65mm	4	
			25	70736	KIT, END CAP (W/POPPETS & STD CHG)	1	
			40	70924	KIT, CHARGE PUMP	1	
	E, F, L OR M	X	1	44	71361	KIT, CHARGE RELIEF	1
				56	50173	SCREW, M8 X 1.25 X 25mm LONG	2
				58	51457	HEX SCREW, FH M10 X 65mm	4
				25	70801	KIT, END CAP	1
				40	70924	KIT, CHARGE PUMP	1
				44	71361	KIT, CHARGE RELIEF	1
T, U, V OR W	1	1	56	50173	SCREW, M8 X 1.25 X 25mm LONG	2	
			58	51457	HEX SCREW, FH M10 X 65mm	4	
			25	70736	KIT, END CAP (W/POPPETS & STD CHG)	1	
			40	70924	KIT, CHARGE PUMP	1	
			44	71361	KIT, CHARGE RELIEF	1	
			56	50173	SCREW, M8 X 1.25 X 25mm LONG	2	

				END CAP & CHARGE PUMP KITS			
CHARACTER 7	CHARACTER 4	CHARACTER 12	ITEM #	COMPONENT #	DESCRIPTION	QTY	
K	A THRU D, G THRU K	1	25	71101	KIT, END CAP	1	
			40	2510071	KIT, CHARGE PUMP	1	
			44	70403	KIT, CHARGE RELIEF	1	
			56	50173	SCREW, M8 X 1.25 X 25mm LONG	2	
			58	51457	HEX SCREW, FH M10 X 65mm	4	
			25	70736	KIT, END CAP (W/POPPETS & STD CHG)	1	
	E, F, L OR M	X	1	40	2510071	KIT, CHARGE PUMP	1
				44	70403	KIT, CHARGE RELIEF	1
				56	50173	SCREW, M8 X 1.25 X 25mm LONG	2
				58	51457	HEX SCREW, FH M10 X 65mm	4
				25	70736	KIT, END CAP (W/POPPETS & STD CHG)	1
				40	2510071	KIT, CHARGE PUMP	1
T, U, V OR W	1	1	44	70403	KIT, CHARGE RELIEF	1	
			56	50173	SCREW, M8 X 1.25 X 25mm LONG	2	
			58	51457	HEX SCREW, FH M10 X 65mm	4	
			25	71101	KIT, END CAP	1	
			40	2510080	KIT, CHARGE PUMP	1	
			44	70402	KIT, CHARGE RELIEF	1	
F	A THRU D, G THRU K	1	56	50173	SCREW, M8 X 1.25 X 25mm LONG	2	
			58	51457	HEX SCREW, FH M10 X 65mm	4	
			25	70736	KIT, END CAP (W/POPPETS & STD CHG)	1	
			40	2510080	KIT, CHARGE PUMP	1	
			44	70402	KIT, CHARGE RELIEF	1	
			56	50173	SCREW, M8 X 1.25 X 25mm LONG	2	
	E, F, L OR M	X	1	58	51457	HEX SCREW, FH M10 X 65mm	4
				25	70801	KIT, END CAP	1
				40	2510080	KIT, CHARGE PUMP	1
				44	70402	KIT, CHARGE RELIEF	1
				56	50173	SCREW, M8 X 1.25 X 25mm LONG	2
				58	51457	HEX SCREW, FH M10 X 65mm	4
T, U, V OR W	1	1	25	71101	KIT, END CAP	1	
			40	2510071	KIT, CHARGE PUMP	1	
			44	71361	KIT, CHARGE RELIEF	1	
			56	50173	SCREW, M8 X 1.25 X 25mm LONG	2	
			58	51457	HEX SCREW, FH M10 X 65mm	4	
			25	70736	KIT, END CAP (W/POPPETS & STD CHG)	1	
T	A THRU D, G THRU K	1	40	2510071	KIT, CHARGE PUMP	1	
			44	71361	KIT, CHARGE RELIEF	1	
			56	50173	SCREW, M8 X 1.25 X 25mm LONG	2	
			58	51457	HEX SCREW, FH M10 X 65mm	4	
			25	70736	KIT, END CAP (W/POPPETS & STD CHG)	1	
			40	2510071	KIT, CHARGE PUMP	1	
	E, F, L OR M	X	1	44	71361	KIT, CHARGE RELIEF	1
				56	50173	SCREW, M8 X 1.25 X 25mm LONG	2
				58	51457	HEX SCREW, FH M10 X 65mm	4
				25	70736	KIT, END CAP (W/POPPETS & STD CHG)	1
				40	2510071	KIT, CHARGE PUMP	1
				44	71361	KIT, CHARGE RELIEF	1
T, U, V OR W	1	1	56	50173	SCREW, M8 X 1.25 X 25mm LONG	2	
			58	51457	HEX SCREW, FH M10 X 65mm	4	
			25	70736	KIT, END CAP (W/POPPETS & STD CHG)	1	
			40	2510071	KIT, CHARGE PUMP	1	
			44	71361	KIT, CHARGE RELIEF	1	
			56	50173	SCREW, M8 X 1.25 X 25mm LONG	2	



PR SERIES SERVICE SCHEMATIC (P-16A)

MODEL NUMBER:

P	R
1	2

 -

*			
3	4	5	6

 -

*			
7	8	9	10

 -

*			
11	12	13	14

END CAP & CHARGE PUMP KITS							
CHARACTER 7	CHARACTER 4	CHARACTER 12	ITEM #	COMPONENT #	DESCRIPTION	QTY	
L	A THRU D, G THRU K	1	25	71101	KIT, END CAP	1	
			40	70470	KIT, CHARGE PUMP	1	
			44	70402	KIT, CHARGE RELIEF	1	
			56	50173	SCREW, M8 X 1.25 X 25mm LONG	2	
			58	51457	HEX SCREW, FH M10 X 65mm	4	
			25	70736	KIT, END CAP (W/POPPETS & STD CHG)	1	
			40	70470	KIT, CHARGE PUMP	1	
			44	70402	KIT, CHARGE RELIEF	1	
			56	50173	SCREW, M8 X 1.25 X 25mm LONG	2	
	58	51457	HEX SCREW, FH M10 X 65mm	4			
	E, F, L OR M	X		25	70801	KIT, END CAP	1
				40	70470	KIT, CHARGE PUMP	1
				44	70402	KIT, CHARGE RELIEF	1
				56	50173	SCREW, M8 X 1.25 X 25mm LONG	2
				58	51457	HEX SCREW, FH M10 X 65mm	4
				25	71101	KIT, END CAP	1
				40	70470	KIT, CHARGE PUMP	1
				44	70403	KIT, CHARGE RELIEF	1
56				50173	SCREW, M8 X 1.25 X 25mm LONG	2	
M	A THRU D, G THRU K	1	25	71101	KIT, END CAP	1	
			40	70470	KIT, CHARGE PUMP	1	
			44	70403	KIT, CHARGE RELIEF	1	
			56	50173	SCREW, M8 X 1.25 X 25mm LONG	2	
			58	51457	HEX SCREW, FH M10 X 65mm	4	
			25	70736	KIT, END CAP (W/POPPETS & STD CHG)	1	
			40	70470	KIT, CHARGE PUMP	1	
			44	70403	KIT, CHARGE RELIEF	1	
			56	50173	SCREW, M8 X 1.25 X 25mm LONG	2	
	58	51457	HEX SCREW, FH M10 X 65mm	4			
	E, F, L OR M	X		25	70801	KIT, END CAP	1
				40	70470	KIT, CHARGE PUMP	1
				44	70403	KIT, CHARGE RELIEF	1
				56	50173	SCREW, M8 X 1.25 X 25mm LONG	2
				58	51457	HEX SCREW, FH M10 X 65mm	4
				25	71101	KIT, END CAP	1
				40	71367	KIT, CHARGE PUMP	1
				44	52255	ASSEMBLY, POPPET/SPRING	1
56				50173	SCREW, M8 X 1.25 X 25mm LONG	2	
R	A THRU D, G THRU K	1	58	51457	HEX SCREW, FH M10 X 65mm	4	
			25	70736	KIT, END CAP (W/POPPETS & STD CHG)	1	
			40	71367	KIT, CHARGE PUMP	1	
			44	52255	ASSEMBLY, POPPET/SPRING	1	
			56	50173	SCREW, M8 X 1.25 X 25mm LONG	2	
			58	51457	HEX SCREW, FH M10 X 65mm	4	
			25	70801	KIT, END CAP	1	
			40	71367	KIT, CHARGE PUMP	1	
			44	52255	ASSEMBLY, POPPET/SPRING	1	
	E, F, L OR M	X		56	50173	SCREW, M8 X 1.25 X 25mm LONG	2
				58	51457	HEX SCREW, FH M10 X 65mm	4
				25	70736	KIT, END CAP (W/POPPETS & STD CHG)	1
				40	71367	KIT, CHARGE PUMP	1
				44	52255	ASSEMBLY, POPPET/SPRING	1
				56	50173	SCREW, M8 X 1.25 X 25mm LONG	2
				58	51457	HEX SCREW, FH M10 X 65mm	4
				25	70736	KIT, END CAP (W/POPPETS & STD CHG)	1
				40	71367	KIT, CHARGE PUMP	1
T, U, V OR W			44	52255	ASSEMBLY, POPPET/SPRING	1	
			56	50173	SCREW, M8 X 1.25 X 25mm LONG	2	
			58	51457	HEX SCREW, FH M10 X 65mm	4	

END CAP & CHARGE PUMP KITS							
CHARACTER 7	CHARACTER 4	CHARACTER 12	ITEM #	COMPONENT #	DESCRIPTION	QTY	
N	A THRU D, G THRU K	1	25	71101	KIT, END CAP	1	
			40	2510080	KIT, CHARGE PUMP	1	
			44	70403	KIT, CHARGE RELIEF	1	
			56	50173	SCREW, M8 X 1.25 X 25mm LONG	2	
			58	51457	HEX SCREW, FH M10 X 65mm	4	
			25	70736	KIT, END CAP (W/POPPETS & STD CHG)	1	
			40	2510080	KIT, CHARGE PUMP	1	
			44	70403	KIT, CHARGE RELIEF	1	
			56	50173	SCREW, M8 X 1.25 X 25mm LONG	2	
	E, F, L OR M	X		58	51457	HEX SCREW, FH M10 X 65mm	4
				25	70801	KIT, END CAP	1
				40	2510080	KIT, CHARGE PUMP	1
				44	70403	KIT, CHARGE RELIEF	1
				56	50173	SCREW, M8 X 1.25 X 25mm LONG	2
				58	51457	HEX SCREW, FH M10 X 65mm	4
				25	71101	KIT, END CAP	1
				40	70472	KIT, CHARGE PUMP	1
				44	70471	KIT, CHARGE RELIEF	1
J			56	50969	FH SCREW M8 X 60mm	2	
			58	51457	HEX SCREW, FH M10 X 65mm	4	
			25	71101	KIT, END CAP	1	
			40	70387	KIT, CHARGE PUMP	1	
			44	2510081	KIT, CHARGE RELIEF	1	
			56	50969	FH SCREW M8 X 60mm	2	
P			58	51457	HEX SCREW, FH M10 X 65mm	4	
			25	71101	KIT, END CAP	1	
			40	70927	KIT, CHARGE PUMP	1	
			44	70926	KIT, CHARGE RELIEF	1	
			56	50969	FH SCREW M8 X 60mm	2	
			58	51457	HEX SCREW, FH M10 X 65mm	4	
Q			25	71101	KIT, END CAP	1	
			40	70927	KIT, CHARGE PUMP	1	
			44	70926	KIT, CHARGE RELIEF	1	
			56	50969	FH SCREW M8 X 60mm	2	
			58	51457	HEX SCREW, FH M10 X 65mm	4	
			58	51457	HEX SCREW, FH M10 X 65mm	4	

END CAP (TANDEM)				
CHARACTER 7	ITEM #	COMPONENT #	DESCRIPTION	QTY
1	25	70967	KIT, END CAP	1
	58	50761	HEX, SCREW FH M10 X 90mm	1
2	25	70967	KIT, END CAP	1
	58	50761	HEX, SCREW FH M10 X 90mm	1
3	25	70967	KIT, END CAP	1
	58	50761	HEX, SCREW FH M10 X 90mm	1

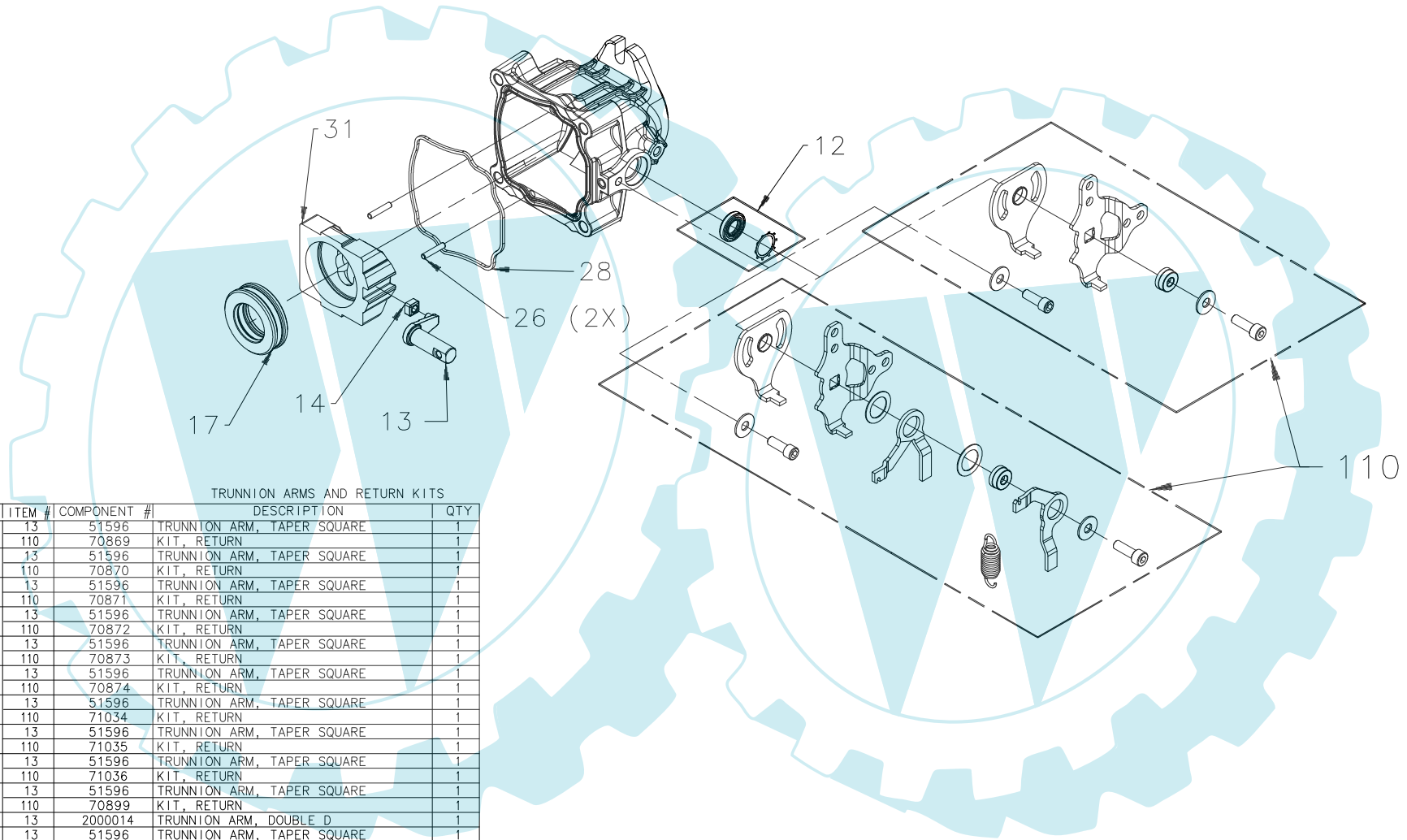
ITEM #	COMPONENT #	DESCRIPTION	QTY
45	2510082	AUX RELIEF VALVE KIT	1
49	2510020	AUX BYPASS/CHECK KIT	1
54	2510090	AUXILIARY FILTER KIT	1
58	51457	HEX SCREW, FLANGED HEAD (M10 X 1.50-65mm LG)	4
151	9005110-4400	7/16-20 STEEL PLUG	1
152	9005100-5600	9/16-18 STEEL PLUG	1
153	9005110-5600	9/16-18 STEEL PLUG	1



PR SERIES SERVICE SCHEMATIC (P-16A)

MODEL NUMBER:

P	R	-					-	*								
1	2	-	3	4	5	6	-	7	8	9	10	-	11	12	13	14



TRUNNION ARMS AND RETURN KITS

CHARACTER	ITEM #	COMPONENT #	DESCRIPTION	QTY
A, B	13	51596	TRUNNION ARM, TAPER SQUARE	1
	110	70869	KIT, RETURN	1
C, D	13	51596	TRUNNION ARM, TAPER SQUARE	1
	110	70870	KIT, RETURN	1
E, F	13	51596	TRUNNION ARM, TAPER SQUARE	1
	110	70871	KIT, RETURN	1
G, H	13	51596	TRUNNION ARM, TAPER SQUARE	1
	110	70872	KIT, RETURN	1
J, K	13	51596	TRUNNION ARM, TAPER SQUARE	1
	110	70873	KIT, RETURN	1
L, M	13	51596	TRUNNION ARM, TAPER SQUARE	1
	110	70874	KIT, RETURN	1
N, P	13	51596	TRUNNION ARM, TAPER SQUARE	1
	110	71034	KIT, RETURN	1
Q, R	13	51596	TRUNNION ARM, TAPER SQUARE	1
	110	71035	KIT, RETURN	1
T, U	13	51596	TRUNNION ARM, TAPER SQUARE	1
	110	71036	KIT, RETURN	1
V, W	13	51596	TRUNNION ARM, TAPER SQUARE	1
	110	70899	KIT, RETURN	1
Y	13	2000014	TRUNNION ARM, DOUBLE D	1
1	13	51596	TRUNNION ARM, TAPER SQUARE	1

ITEM #	COMPONENT #	DESCRIPTION	QTY
12	70739	TRUNNION SEAL KIT	1
14	2000015	SLOT GUIDE	1
17	51462	THRUST BALL BEARING ASSEMBLY	1
26	50641	PIN	2
28	51437	O-RING	1
31	51436	SWASHPLATE	1
100	70740	OVERHAUL SEAL KIT	1



PR SERIES SERVICE SCHEMATIC (P-16A)

MODEL NUMBER:

P	R	-					-		*	*	-	*				
1	2	-	3	4	5	6	-	7	8	9	10	-	11	12	13	14

BYPASS VALVE KITS				
CHARACTER 9	ITEM #	COMPONENT #	DESCRIPTION	QTY
1		2513030	KIT, BYPASS	1
2	50	2513031	KIT, BYPASS	1

FAN KITS				
CHARACTER 10	ITEM #	COMPONENT #	DESCRIPTION	QTY
X	90	N/A	N/A	0
A	90	71287	KIT, FAN 6" CW	1
B	90	71287	KIT, FAN 6" CW	1
	209	52016	BRACKET, SHROUD	1
C	90	71287	KIT, FAN 6" CW	1
	209	52016	BRACKET, SHROUD	1
D	90	71287	KIT, FAN 6" CW	1
	209	52016	BRACKET, SHROUD	1
E	90	71287	KIT, FAN 6" CW	1
	209	52016	BRACKET, SHROUD	1
1	90	70916	KIT, FAN 7" CW	1
	90	70888	KIT, FAN 7" CCW	1
3	90	70618	KIT, FAN 6" CCW	1
	90	70675	KIT, FAN 7" CCW	1
F	90	70888	KIT, FAN 6" CW	1
	209	52355	BRACKET, SHROUD	1
G	90	70888	KIT, FAN 6" CW	1
	209	52355	BRACKET, SHROUD	1
H	90	70888	KIT, FAN 6" CW	1
	209	52355	BRACKET, SHROUD	1
J	90	70888	KIT, FAN 6" CW	1
	209	52355	BRACKET, SHROUD	1
	210	52354	SHROUD, FAN	1

TORQUE BRACKET				
CHARACTER 11	ITEM #	COMPONENT #	DESCRIPTION	QTY
X		N/A	N/A	0
1, 2, 3, 4 & 7	60	51593	MOUNTING BRACKET	1

