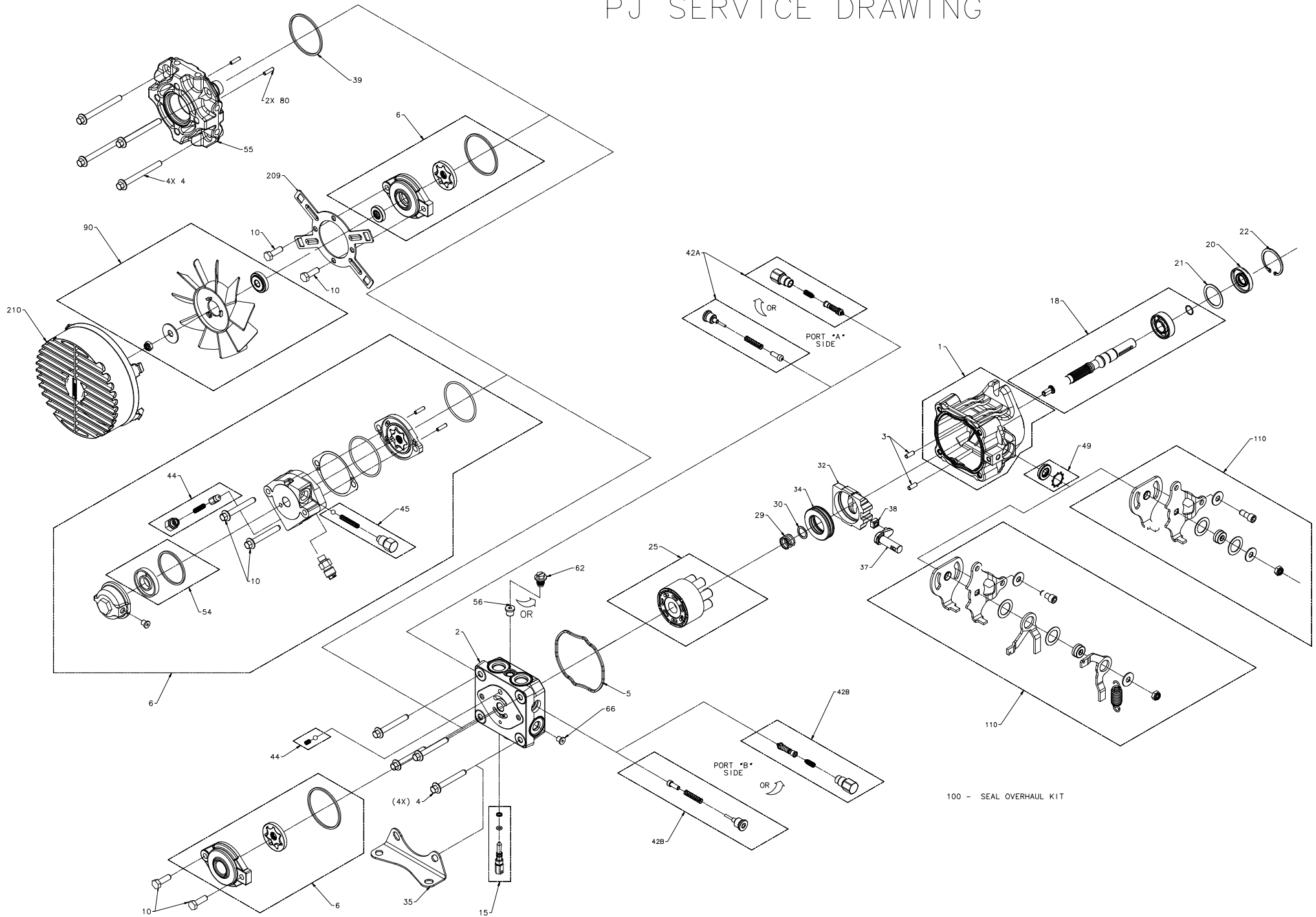


# PJ SERVICE DRAWING



100 - SEAL OVERHAUL KIT

# PJ SERVICE DRAWING

MODEL NUMBER: 

P	J	-	*	*	*	*	-					-				
1	2	-	3	4	5	6	-	7	8	9	10	-	11	12	13	14

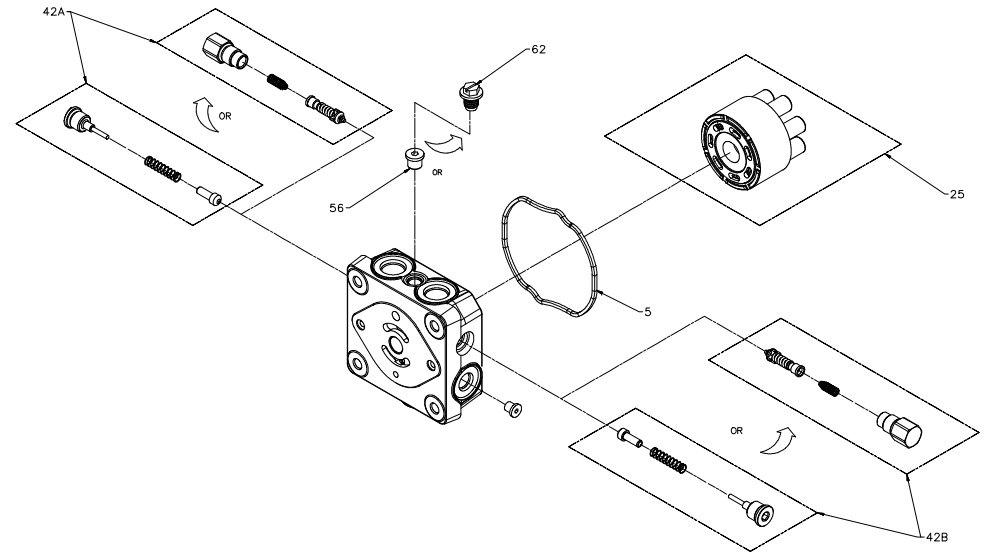
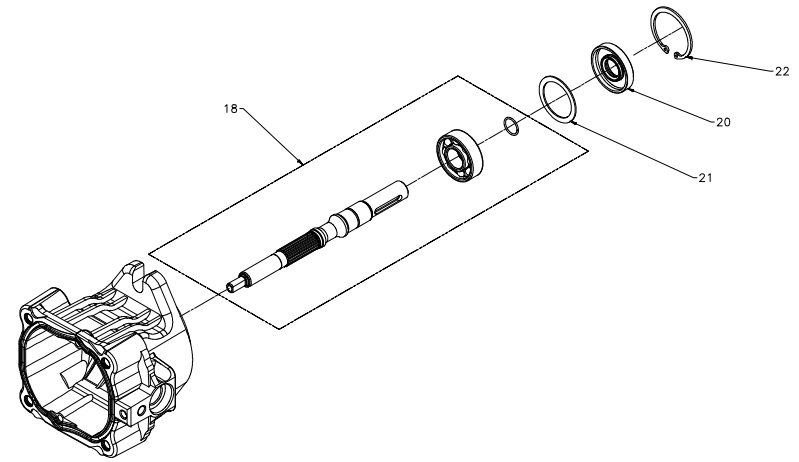
PUMP SHAFT KITS				
CHARACTER 3	ITEM #	COMPONENT #	DESCRIPTION	QTY
B		71249	KIT, PUMP SHAFT (5/8 KEYED, STD CHG)	1
C		71250	KIT, PUMP SHAFT (5/8 KEYED, THRU)	1
E		70524	KIT, PUMP SHAFT (9T INPUT SHAFT)	1
F		70726	KIT, PUMP SHAFT (9T THRU SHAFT)	1
2	18	70522	KIT, PUMP SHAFT (15mm STRAIGHT KEYED INPUT)	1
3		70620	KIT, PUMP SHAFT (15mm STRAIGHT KEYED THRU)	1
5		71252	KIT, PUMP SHAFT (15mm TAPERED KEYED, THRU)	1
6		71253	KIT, PUMP SHAFT (19T 32/64 THRU)	1
7		71251	KIT, PUMP SHAFT (15mm TAPERED KEYED, STD CHG)	1
H		51999	5/8 STRAIGHT KEYED INPUT SHAFT	1
L		51238	9T 16/32 INPUT SHAFT	1
K		51236	15mm STRAIGHT KEYED INPUT SHAFT	1

STEEL PLUG				
CHARACTER 4	ITEM #	COMPONENT #	DESCRIPTION	QTY
A, B, C, D, G, H, J, K	56	9005110-4400	PLUG - 7/16-18 STEEL (DIAGNOSTIC)	1
1, 2, 3, 4	62	9005200-4400	PLUG - 7/16-18 PLASTIC (DIAGNOSTIC)	1

SHOCK VALVE KITS, *A* SIDE				
CHARACTER 5	ITEM #	COMPONENT #	DESCRIPTION	QTY
A		70741	KIT, SHOCK VALVE (200 BAR, BLANK ORIFICE)	1
B		70742	KIT, SHOCK VALVE (200 BAR, .024 ORIFICE)	1
C		70743	KIT, SHOCK VALVE (200 BAR, .031 ORIFICE)	1
D		70744	KIT, SHOCK VALVE (200 BAR, .044 ORIFICE)	1
E		70836	KIT, SHOCK VALVE (160 BAR, BLANK ORIFICE)	1
F		70837	KIT, SHOCK VALVE (160 BAR, .024 ORIFICE)	1
G		70838	KIT, SHOCK VALVE (160 BAR, .031 ORIFICE)	1
H		70839	KIT, SHOCK VALVE (160 BAR, .044 ORIFICE)	1
J	42A	70840	KIT, SHOCK VALVE (120 BAR, BLANK ORIFICE)	1
K		70841	KIT, SHOCK VALVE (120 BAR, .024 ORIFICE)	1
L		70842	KIT, SHOCK VALVE (120 BAR, .031 ORIFICE)	1
M		70843	KIT, SHOCK VALVE (120 BAR, .044 ORIFICE)	1
N		2510050	KIT, CHECK VALVE (BLANK ORIFICE)	1
P		2510062	KIT, CHECK VALVE (.024 ORIFICE)	1
Q		2510027	KIT, CHECK VALVE (.031 ORIFICE)	1
R		2510034	KIT, CHECK VALVE (.044 ORIFICE)	1
T		71254	KIT, CHECK VALVE (.016 ORIFICE)	1

SHOCK VALVE KITS, *B* SIDE				
CHARACTER 6	ITEM #	COMPONENT #	DESCRIPTION	QTY
A		70741	KIT, SHOCK VALVE (200 BAR, BLANK ORIFICE)	1
B		70742	KIT, SHOCK VALVE (200 BAR, .024 ORIFICE)	1
C		70743	KIT, SHOCK VALVE (200 BAR, .031 ORIFICE)	1
D		70744	KIT, SHOCK VALVE (200 BAR, .044 ORIFICE)	1
E		70836	KIT, SHOCK VALVE (160 BAR, BLANK ORIFICE)	1
F		70837	KIT, SHOCK VALVE (160 BAR, .024 ORIFICE)	1
G		70838	KIT, SHOCK VALVE (160 BAR, .031 ORIFICE)	1
H		70839	KIT, SHOCK VALVE (160 BAR, .044 ORIFICE)	1
J	42B	70840	KIT, SHOCK VALVE (120 BAR, BLANK ORIFICE)	1
K		70841	KIT, SHOCK VALVE (120 BAR, .024 ORIFICE)	1
L		70842	KIT, SHOCK VALVE (120 BAR, .031 ORIFICE)	1
M		70843	KIT, SHOCK VALVE (120 BAR, .044 ORIFICE)	1
N		2510050	KIT, CHECK VALVE (BLANK ORIFICE)	1
P		2510062	KIT, CHECK VALVE (.024 ORIFICE)	1
Q		2510027	KIT, CHECK VALVE (.031 ORIFICE)	1
R		2510034	KIT, CHECK VALVE (.044 ORIFICE)	1
T		71254	KIT, CHECK VALVE (.016 ORIFICE)	1

GENERIC PARTS LISTING (ALL MODELS)				
ITEM #	COMPONENT #	DESCRIPTION	QTY	
5	51232	HOUSING O-RING	1	
20	51161	LIP SEAL 17 X 40 X 7 PTC	1	
21	50951	SPACER	1	
22	50329	RETAINING RING	1	
25	71170	CYLINDER BLOCK KIT	1	





# PJ SERVICE DRAWING

MODEL NUMBER: 

P	J
---	---

 - 

--	--	--	--

 - 

*			
---	--	--	--

 - 

--	--	--	--

  
 CHARACTER #: 

1	2
---	---

 - 

3	4	5	6
---	---	---	---

 - 

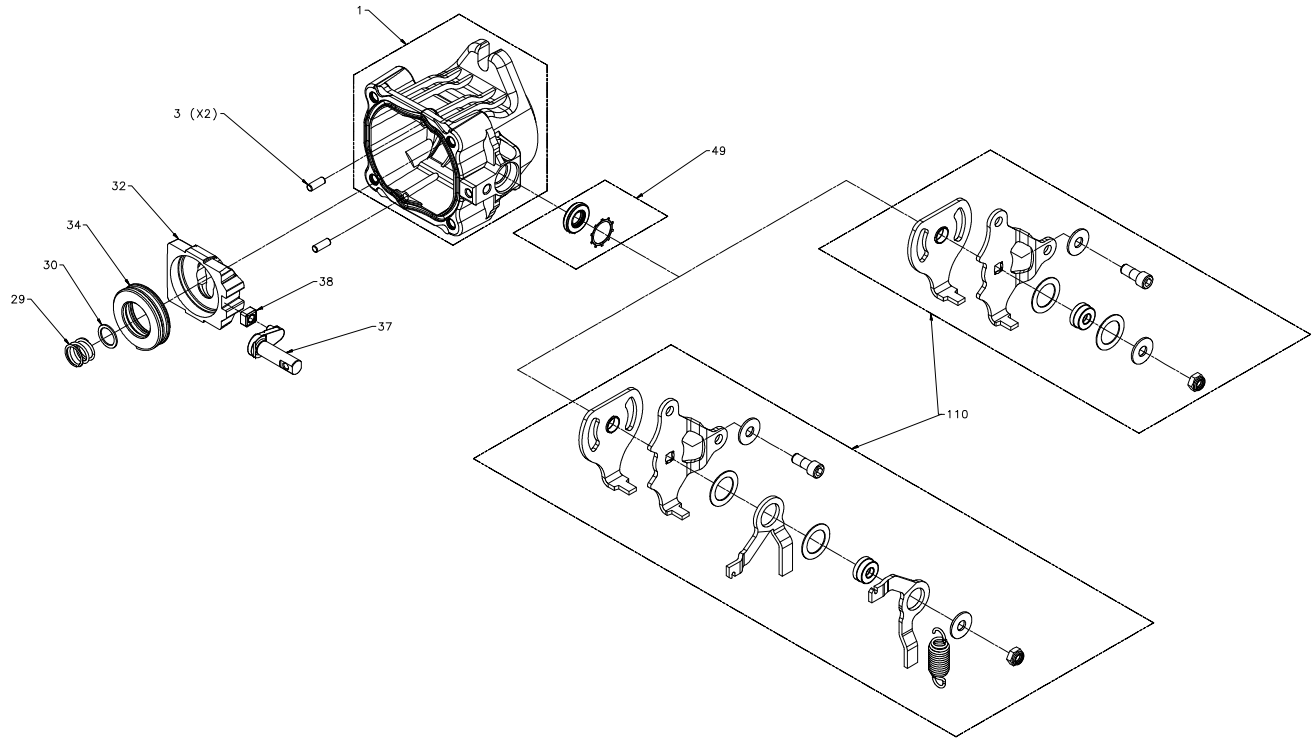
7	8	9	10
---	---	---	----

 - 

11	12	13	14
----	----	----	----

## HOUSING & RETURN KITS

CHARACTER 8	ITEM #	COMPONENT #	DESCRIPTION	QTY
A OR B	1	70797	KIT, HOUSING	1
	37	50807	ARM, TRUNNION, TAPERED SQUARE	1
	110	70794	KIT, RTN	1
C OR D	1	70797	KIT, HOUSING	1
	37	50807	ARM, TRUNNION, TAPERED SQUARE	1
	110	70846	KIT, CW RTN SCISSOR	1
E OR F	1	70797	KIT, HOUSING	1
	37	50807	ARM, TRUNNION, TAPERED SQUARE	1
	110	70847	KIT, CCW RTN SCISSOR	1
G OR H	1	70797	KIT, HOUSING	1
	37	50807	ARM, TRUNNION, TAPERED SQUARE	1
	110	70794	KIT, RTN	1
J OR K	1	70797	KIT, HOUSING	1
	37	50807	ARM, TRUNNION, TAPERED SQUARE	1
	110	70846	KIT, CW RTN SCISSOR	1
L OR M	1	70797	KIT, HOUSING	1
	37	50807	ARM, TRUNNION, TAPERED SQUARE	1
	110	70847	KIT, CCW RTN SCISSOR	1
Y OR Z	1	70516	KIT, HOUSING	1
	37	2003005	ARM, TRUNNION, DOUBLE D	1
1	1	70797	KIT, HOUSING	1
	37	50807	ARM, TRUNNION, TAPERED SQUARE	1
2 OR 3	1	70797	KIT, HOUSING	1
	110	71255	KIT, RTN	1



## GENERIC PARTS LISTING (ALL MODELS)

ITEM #	COMPONENT #	DESCRIPTION	QTY
3	50641	STRAIGHT HEADLESS PIN	2
29	2003014	BLOCK SPRING	1
30	2003017	BLOCK THRUST WASHER	1
32	2003087	SWASHPLATE	1
34	50551	BALL THRUST BEARING	1
38	2000015	SLOT GUIDE	1
49	2513043	TRUNNION SEAL / RETAINER KIT	1
100	70525	OVERHAUL SEAL KIT	1

# PJ SERVICE DRAWING

MODEL NUMBER: 

P	J
1	2

 - 

3	4	5	6

 - 

		*	*
7	8	9	10

 - 

*			
11	12	13	14

CHARACTER #: 

1	2

 - 

3	4	5	6

 - 

7	8	9	10

 - 

11	12	13	14

## BYPASS VALVE KIT

CHARACTER 9	ITEM #	COMPONENT #	DESCRIPTION	QTY
1	15	71248	BYPASS VALVE KIT (BLANK)	1

## FAN KITS

CHARACTER 10	ITEM #	COMPONENT #	DESCRIPTION	QTY
X	N/A	N/A	NONE	0
A	90	71172	KIT, FAN	1
B	90	71172	KIT, FAN	1
	209	52016	BRACKET, SHROUD	1
C	90	71172	KIT, FAN	1
	209	52016	BRACKET, SHROUD	1
	210	52059	SHROUD, FAN	1
D	90	71172	KIT, FAN	1
	209	52016	BRACKET, SHROUD	1
E	90	71172	KIT, FAN	1
	209	52016	BRACKET, SHROUD	1
	210	52059	SHROUD, FAN	1
1	90	70793	KIT, FAN	1
2	90	71172	KIT, FAN	1
3	90	70617	KIT, FAN	1
F	90	70811	KIT, FAN	1
	209	52355	BRACKET, SHROUD	1
G	90	71348	KIT, FAN	1
H	90	70811	KIT, FAN	1
	209	52355	BRACKET, SHROUD	1
J	90	71348	KIT, FAN	1

## TORQUE BRACKETS

CHARACTER 11	ITEM #	COMPONENT #	DESCRIPTION	QTY
X	N/A	N/A	NONE	0
1 THRU 4	35	51593	TORQUE BRACKET	1

