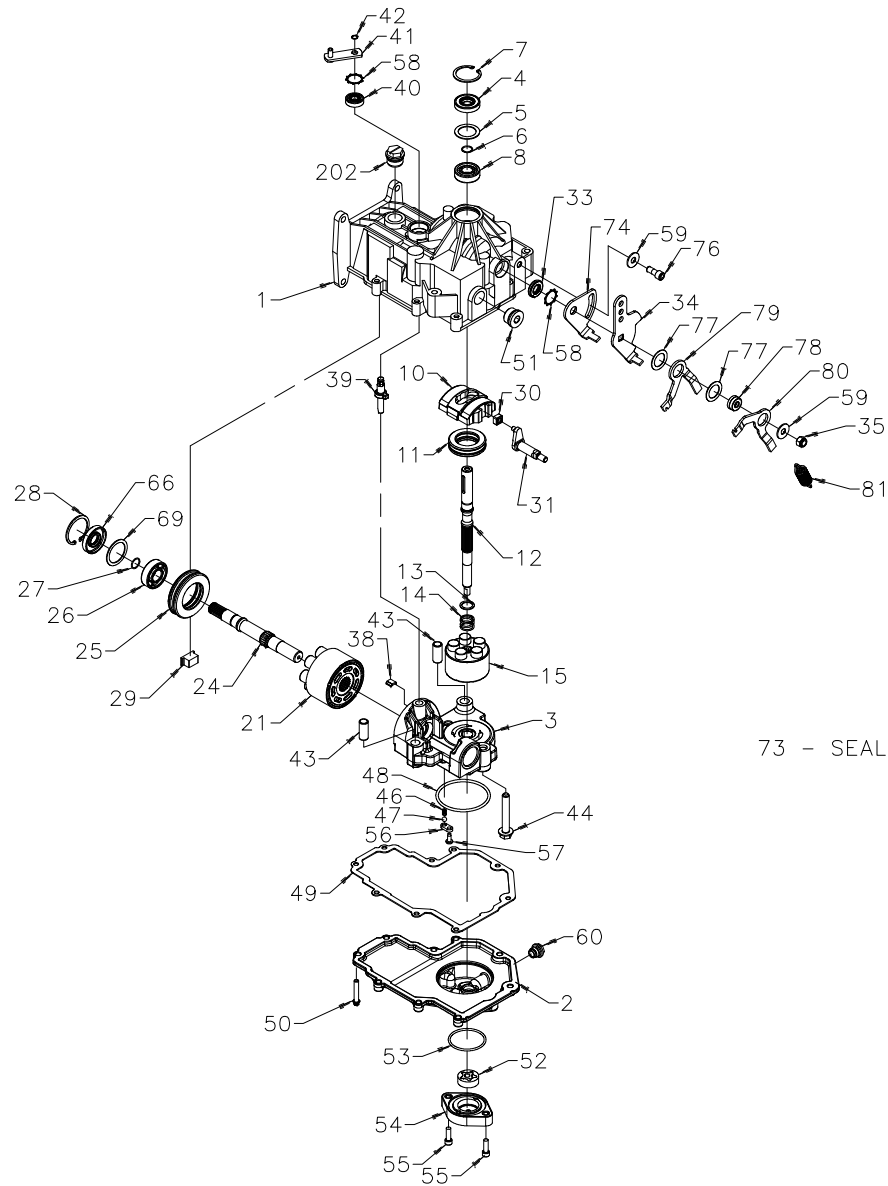


BDR-317



73 - SEAL KIT



# BDR-317

ITEM #	PART #	QTY	DESCRIPTION
1	70834	1	UPPER HOUSING ASSEMBLY
		1	UPPER HOUSING
		1	TRUNNION BUSHING
		2	CRADLE BEARING
2	50301	1	LOWER HOUSING
3	70709	1	KIT, CENTER SECTION
		1	SPRING, CHG RELIEF
		1	BRG, JRNL
		3	HFHCS 3/8-24 X 2.5
		1	BUSHING .673X1.02X.7
		2	ASSY, CHK PLUG .027
		1	PLATE, RELIEF
		1	BOLT, SELF-TAPPING 1
		1	PLATE, BYPASS
		1	C-SECTION
		1	BALL 1/4
4	9008000-0128	1	SEAL, LIP 15 X 35 X 7
5	2003018	1	WASHER, .98 X 1.37 X .04
6	2003016	1	RING, RET WIRE .512 ID
7	2003052	1	RING, RET 37 INT
8	2003043	1	BRG, BALL 15 X 35 X 11
10	2003087	1	SWASHPLATE 10CC
11	50551	1	THRUST BEARING 30 X 52 X 13
12	51384	1	SHAFT INPUT
13	2003017	1	WASHER, THRUST .59 X .78 X .04
14	2003014	1	SPRING, BLOCK
15	70331	1	KIT, 10 CC BLOCK
		5	WASHER, PSTN SEAT .4
		5	PISTON 10CC
		1	BLOCK, CYL
		5	SPRING, COMP 10 CC
21	70082	1	KIT, MOTOR BLOCK
		1	BLOCK, CYL
		7	WASHER, PSTN SEAT .4
		7	PISTON 21CC
		7	SPRING, HELICAL COMP
24	50933	1	SHAFT, MOTOR
25	50552	1	BRG, THRUST BALL 42 X 68 X 16
26	50315	1	BRG, BALL 17 X 40 X 12
27	2000022	1	RING, RET WIRE .561 ID
28	50329	1	RING, RET 1.56 INT
29	50649	1	RETAINER, MOTOR BEARING

ITEM #	PART #	QTY	DESCRIPTION
30	2000015	1	GUIDE, SLOT
31	50807	1	ARM, TRUNNION 10CC SQ TAPER
33	51041	1	SEAL, LIP 12 X 25 X 5
34	51494	1	ARM, CONTROL
35	50317	1	NUT, HEX 5/16-24 NYLON INSERT
38	70680	1	KIT, BYPASS PLATE
39	2003555	1	ACTUATOR, BYPASS
40	45074	1	SEAL, LIP 10 X 25 X 7
41	50270	1	ARM, BYPASS
42	44870	1	RING, RET .31 EXT
43	50002	2	PIN-HOLLOW .39 X .5 X 1.12
44	50016	3	HFHCS 3/8-24 X 2.5 (PATCH)
46	2000029	1	SPRING, CHG RELIEF
47	9001214-2500	1	BALL 1/4
48	50578	1	O-RING, .139 X 2.984 70D
49	50331	1	GASKET, BDR
50	44876	9	THCS-STAP 1/4-20 X 1.4
51	9005110-8700	1	PLUG 7/8-14 (METAL)
52	50273	1	GEROTOR TANG 1.15 X .39 (1.9CC)
53	9004101-1340	1	O-RING .103 X 1.862
54	50260	1	HSG, CHG PUMP
55	50095	2	SHCS M6 X 20
56	50651	1	PLATE, RELIEF
57	50653	1	BOLT, SELF-TAPPING 10-32 X 1/2
58	50650	2	RING, RET-STAR WASH 1.0
59	44130	2	WASHER, .34 X .88 X .06
60	9005200-5600	1	PLUG 9/16-18 (PLASTIC)
66	51161	1	SEAL, LIP 17 X 40 X 7
69	50951	1	WASHER, 1.23 X 1.56 X .04
73	70490	1	SEAL KIT
74	51493	1	ARM, RETURN
76	51400	1	SHCS 5/16-24 X .75 (PATCH)
77	51408	2	WASHER, NYLON
78	51604	1	SPACER, RTN
79	51392	1	ARM, RTN SCISSOR, INNER
80	51393	1	ARM, RTN SCISSOR, OUTER
81	51605	1	SPRING, EXTENSION
202	9005200-8700	1	PLUG, 7/8-14 (PLASTIC)