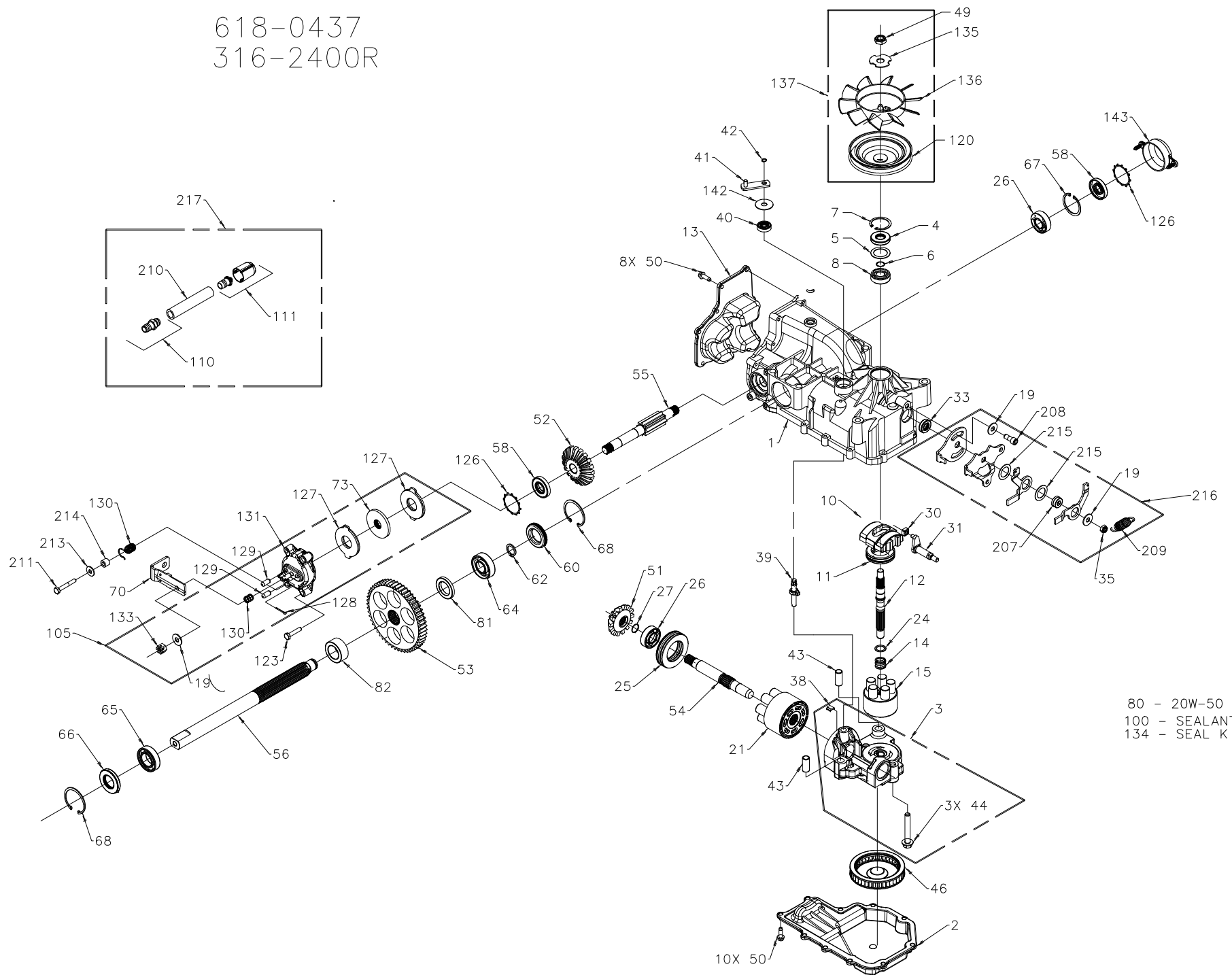


618-0437
316-2400R



80 - 20W-50 OIL
100 - SEALANT
134 - SEAL KIT



618-0437
316-2400R

| ITEM NO. | HYDRO-GEAR PART NO. | QTY. | DESCRIPTION |
|----------|---------------------|------|---|
| 1 | 70627 | 1 | KIT, HOUSING-MAIN |
| | | 1 | HOUSING, MAIN |
| | | 2 | CRADLE BEARING |
| | | 1 | LIP SEAL |
| | | 1 | TRUNNION BUSHING |
| 2 | 50890RM | 1 | LOWER HOUSING |
| 3 | 70667 | 1 | KIT, CENTER SECTION |
| | | 1 | CENTER SECTION |
| | | 1 | BUSHING .67 X 1.03 X .75 |
| | | 1 | PLATE, BYPASS |
| | | 3 | SCREW, 3/8-24 X 2.5 |
| | | 2 | CHECK PLUG ASSEMBLY, .027 |
| | | 1 | LIP SEAL |
| 4 | 9008000-0128 | 1 | SPACER |
| 5 | 2003018 | 1 | WIRE RETAINING RING |
| 6 | 2003016 | 1 | RETAINING RING |
| 7 | 2003052 | 1 | BALL BEARING |
| 8 | 2003043 | 1 | VARIABLE SWASHPLATE |
| 10 | 2003087 | 1 | THRUST BEARING 30 X 52 X 13 |
| 11 | 50551 | 1 | INPUT SHAFT |
| 12 | 50005 | 1 | COVER-BACK |
| 13 | 50891RM | 1 | SPRING, BLOCK |
| 14 | 2003014 | 1 | 10cc CYLINDER BLOCK ASS'Y |
| 15 | 70331 | 1 | 10cc CYLINDER BLOCK |
| | | 5 | 10cc PISTON SPRING |
| | | 5 | PISTON SEAT WASHER |
| | | 5 | 10cc PISTON |
| 19 | 44130 | 3 | WASHER |
| 21 | 70082 | 1 | 21cc CYLINDER BLOCK ASS'Y |
| | | 1 | 21cc CYLINDER BLOCK |
| | | 7 | 21cc PISTON SPRING |
| | | 7 | PISTON SEAT WASHER |
| | | 7 | 21cc PISTON |
| 24 | 2003017 | 1 | WASHER, BLOCK THRUST |
| 25 | 50552 | 1 | THRUST BEARING 42 X 68 X 16 |
| 26 | 50315 | 2 | BALL BEARING |
| 27 | 2000022 | 1 | WIRE RETAINING RING |
| 30 | 2000015 | 1 | SLOT GUIDE |
| 31 | 50807 | 1 | TRUNNION ARM |
| 33 | 9008000-0126 | 1 | LIP SEAL |
| 34 | 51394 | 1 | CONTROL ARM |
| 35 | 50108 | 1 | HEX LOCK NUT, 5/16-24 UNJF (NYLON INSERT) |
| 38 | 70680 | 1 | KIT, BYPASS PLATE |
| 39 | 2003555 | 1 | BYPASS ACTUATOR |
| 40 | 45074 | 1 | LIP SEAL |
| 41 | 50270 | 1 | BYPASS ARM |
| 42 | 44870 | 1 | RETAINING RING |
| 43 | 50002 | 2 | PIN |
| 44 | 50016 | 3 | SCREW |

| ITEM NO. | HYDRO-GEAR PART NO. | QTY. | DESCRIPTION |
|----------|---------------------|------|------------------------------------|
| 46 | 50990 | 1 | FILTER |
| 49 | 51244 | 1 | HEX LOCK NUT 1/2-20 (NYLON INSERT) |
| 50 | 50752 | 18 | SCREW, 1/4-20 X .75 LONG |
| 51 | 50744 | 1 | 14T BEVEL GEAR |
| 52 | 50745 | 1 | 19T BEVEL GEAR |
| 53 | 50746 | 1 | 53T SPUR GEAR |
| 54 | 50757 | 1 | MOTOR SHAFT |
| 55 | 51335 | 1 | BRAKE SHAFT |
| 56 | 51388 | 1 | SHAFT, AXLE 25mm X 14 (D.D) |
| 58 | 51161 | 2 | SEAL, LIP 17 X 40 X 7 |
| 60 | 50995 | 1 | SEAL PLUG - SIDE |
| 62 | 50759 | 1 | RETAINING RING - AXLE |
| 64 | 50743 | 1 | BEARING-BALL 20X47X14(6204) |
| 65 | 50740 | 1 | BEARING-BALL 25X47X12(6005) |
| 66 | 50751 | 1 | SEAL |
| 67 | 50329 | 1 | RETAINING RING |
| 68 | 50760 | 2 | RETAINING RING-AXLE |
| 70 | 51395 | 1 | ARM, BRAKE |
| 73 | 44855 | 1 | ROTOR, BRAKE |
| 80 | | 79oz | 20W-50 OIL |
| 81 | 51939 | 1 | WASHER, AXLE 1.04 X 1.65 X .22 |
| 82 | 51940 | 1 | WASHER, AXLE 1.04 X 1.65 X .70 |
| 100 | 50928 | 1 | SEALANT |
| 105 | 70561 | 1 | KIT, BRAKE |
| | | 1 | WASHER |
| | | 1 | ROTOR, BRAKE |
| | | 2 | STATOR, BRAKE FRICTION |
| | | 1 | COTTER PIN 3/32 X 3/4 |
| | | 2 | BRAKE ACTUATING PIN |
| | | 1 | COMPRESSION SPRING ANTI DRAG |
| | | 1 | KIT, YOKE-BRAKE |
| 110 | 70110 | 1 | FITTING O-RING ASSEMBLY |
| | | 1 | PLASTIC HOSE FITTING |
| | | 1 | O-RING |
| 111 | 70921 | 1 | CAP VENT ASSEMBLY |
| | | 1 | CAP, PLASTIC |
| | | 1 | PLASTIC VENT |
| 120 | 51363 | 1 | PULLEY, 4.5 |
| 123 | 51341 | 2 | SCREW, 1/4-28 X 1.25 W/PATCH |
| 126 | 51316 | 2 | RING, RETAINING |
| 127 | 51340 | 2 | STATOR, BRAKE FRICTION |
| 128 | 44101 | 1 | COTTER PIN 3/32 X 3/4 |
| 129 | 44127 | 2 | BRAKE ACTUATING PIN |
| 130 | 50919 | 1 | COMPRESSION SPRING BRAKE ANTI DRAG |
| 131 | 70560 | 1 | KIT, YOKE-BRAKE |
| | | 1 | SQ HD BOLT 5/16-24 RIBBED |
| | | 1 | YOKE, BRAKE |
| 133 | 44142 | 1 | SLOTTED HEX NUT 5/16-24 |

| ITEM NO. | HYDRO-GEAR PART NO. | QTY. | DESCRIPTION |
|----------|---------------------|------|---|
| 134 | 70553 | 1 | KIT, SEAL |
| | | 1 | SEAL, LIP 15 X 35 X 7 |
| | | 1 | RING, RETAINING |
| | | 1 | SEAL, LIP 12 X 25 X 7 |
| | | 1 | SEAL, LIP 10 X 25 X 7 |
| | | 1 | RING, RETAINING |
| | | 2 | SEAL, LIP 17 X 40 X 7 |
| | | 1 | SEAL, LIP 1.85 X .32 |
| | | 1 | RING, RETAINING |
| | | 1 | RING, RETAINING .440 EXTERNAL |
| | | 1 | SEAL, LIP .98 X 1.85 X .276 |
| | | 1 | RING, RETAINING |
| | | 2 | RING, RETAINING |
| | | 2 | RING, RETAINING |
| | | 2 | SEAL, LIP 17 X 40 X 5 |
| 135 | 51523 | 1 | WASHER, OD SLOTTED, .53 X 1.63 X .06 |
| 136 | 51364 | 1 | FAN, 6", 10 BLADE |
| 137 | 70600 | 1 | KIT, FAN-PULLEY |
| | | 1 | WASHER, OD SLOTTED, .53 X 1.63 X .06 |
| | | 1 | FAN, 6", 10 BLADE |
| | | 1 | HEX LOCK NUT 1/2-20 (NYLON INSERT) |
| | | 1 | PULLEY, 4.5 |
| 142 | 51813 | 1 | WASHER, .39 X 1.27 X .05 |
| 143 | 51774 | 1 | BRAKE COVER, PLASTIC |
| 207 | 51604 | 1 | SPACER, RTN |
| 208 | 51400 | 1 | SCREW, 5/16-24 X .75 (PATCH) |
| 209 | 52401 | 1 | SPRING, EXTENSION |
| 210 | 51401 | 1 | HOSE, .5 X 4.00 |
| 211 | 51402 | 1 | SCREW, HEX HEAD 1/4-28 X 1.75 W/PATCH |
| 212 | 50884 | 1 | SPRING, BRAKE ARM BIAS |
| 213 | 51403 | 1 | WASHER, FLAT .28 X .73 X .063 |
| 214 | 23770 | 1 | BRAKE ASS'Y SPACER |
| 215 | 51408 | 2 | WASHER, NYLON |
| 216 | 70609 | 1 | RTN, KIT |
| | | 2 | WASHER |
| | | 1 | HEX LOCK NUT, 5/16-24 UNJF (NYLON INSERT) |
| | | 1 | SPACER, RTN |
| | | 1 | SCREW, 5/16-24 X .75 (PATCH) |
| | | 1 | SPRING, EXTENSION |
| | | 2 | WASHER, NYLON |
| | | 1 | CONTROL ARM |
| | | 1 | ARM, RTN SCISSOR, OUTER |
| | | 1 | ARM, RTN SCISSOR, INNER |
| | | 1 | ARM, RETURN |
| 217 | 71004 | 1 | KIT, BREATHER ASSEMBLY |
| | | 1 | HOSE, .5 X 4.00 |
| | | 1 | VENT CAP ASSEMBLY |
| | | 1 | FITTING, O-RING ASSEMBLY |

