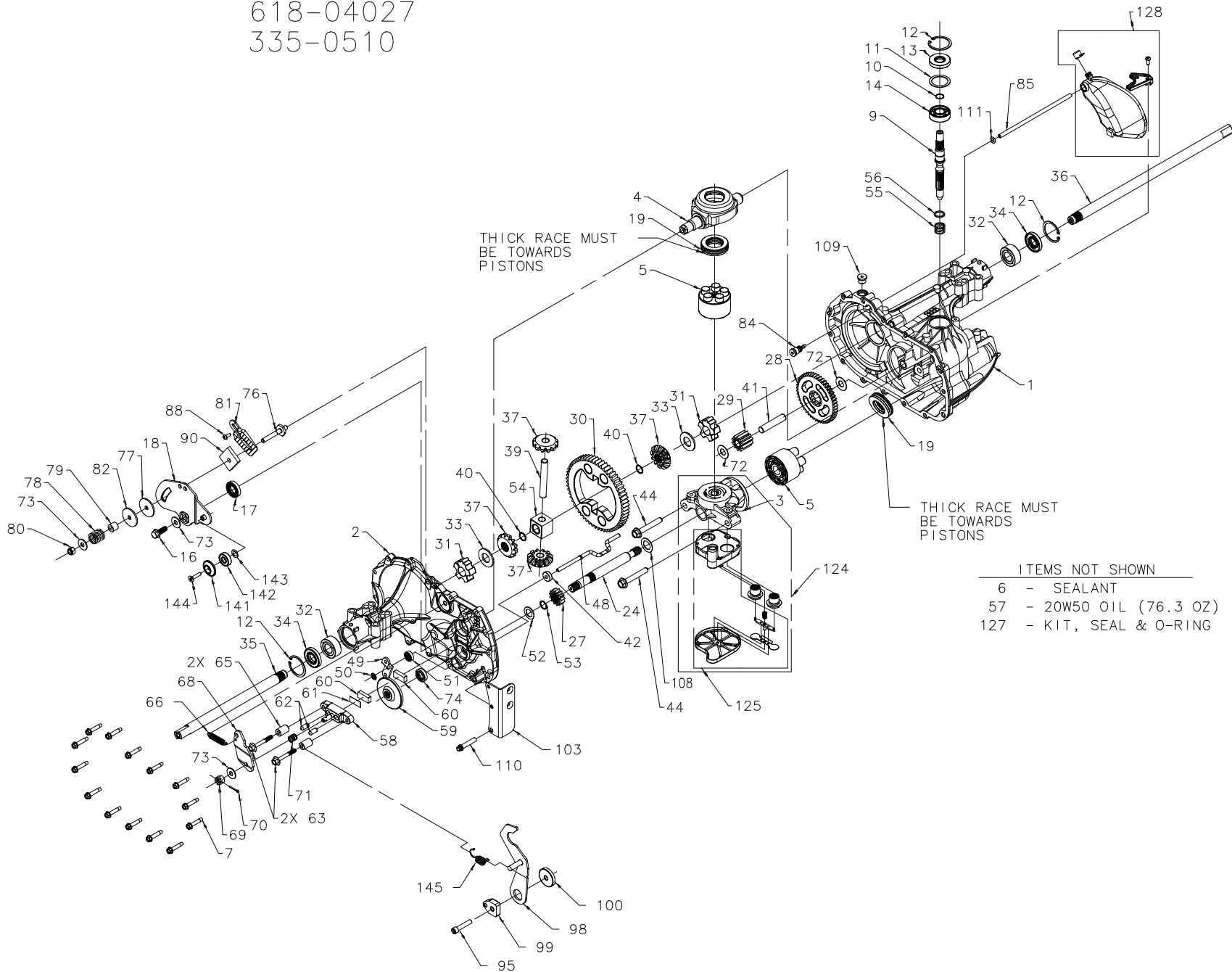


618-04027
335-0510



- ITEMS NOT SHOWN
- 6 - SEALANT
 - 57 - 20W50 OIL (76.3 OZ)
 - 127 - KIT, SEAL & O-RING



618-04027
335-0510

ITEM	PART NUMBER	QTY	DESCRIPTION
1	70467	1	ASSEMBLY, MAIN HOUSING
		1	HOUSING, MAIN
		1	BUSHING .865 X .985 X .790
		2	PIN, STANDARD HEADLESS
2	70483	1	ASSEMBLY, SIDE HOUSING
		1	HOUSING, SIDE
		1	BUSHING .865 X .985 X .790
		1	BUSHING .624 X .719 X .562
3	70477	1	ASSEMBLY, CENTER SECTION
		1	CENTER SECTION (5-PISTON)
		1	BUSHING .707 X .788 X .591
4	51048	1	TRUNNION, SWASHPLATE
5	70331	2	ASSEMBLY, BLOCK
		1	BLOCK, CYLINDER
		5	PISTON
		5	SPRING, COMPRESSION
		5	WASHER, THRUST
6	50928	10.1 OZ	SEALANT
7	51190	14	SCREW, HEX WASHER 1/4-20 X 1.25
9	51062	1	SHAFT, INPUT
10	2000022	1	RING, RETAINING
11	50951	1	WASHER, FLAT 1.23 X 1.57 X .04
12	50329	3	RING, RETAINING
13	51161	1	SEAL, LIP 17 X 40 X 7
14	50315	1	BEARING, BALL 17 X 40 X 12
16	51064	1	BOLT, HEX FLANGE 5/16-24 X .94 W/PATCH
17	51140	1	SEAL, LIP 18 X 32 X 7
18	51720	1	ARM, CONTROL
19	50551	2	BEARING, THRUST 30 X 52 X 13
24	50966	1	SHAFT, MOTOR
27	51130	1	GEAR, 13T PINION
28	51129	1	GEAR, 10T/48T
29	51043	1	GEAR, 10T JACKSHAFT
30	51044	1	GEAR, 60T BULL
31	51088	2	BUSHING, SLEEVE (INBOARD)
32	51089	2	BUSHING, SLEEVE .75 X 1.575 X .625
33	44875	2	WASHER, FLAT .77 X 1.5 X .10
34	51066	2	SEAL, LIP .750 X 1.577 X .250
35	51079	1	SHAFT, AXLE .75 X 11.39 (DD,RH)
36	51078	1	SHAFT, AXLE .75 X 16.99 (DD, LH)
37	71310	1	KIT, MITER GEAR
		2	GEAR, MITER 12T (SPLINED)
		2	GEAR, MITER 12T (.50 ID)
		1	BULLETIN, MITER GEAR
39	50146	1	SHAFT, DIFFERENTIAL
40	44871	2	RING, SPIRAL RETAINING
41	51083	1	PIN, JACKSHAFT .50 X 2.43
42	51100	1	MAGNET, RING
44	50016	2	BOLT, HEX FLANGE 3/8-24 X 2.5
48	51098	1	ROD, ACTUATOR BYPASS
49	51135	1	ARM, BYPASS
50	51116	1	RING, RETAINING .250 EXTERNAL
51	51081	1	SEAL, LIP .250 X .750 X .250 TC
52	44371	1	WASHER, FLAT .63 X 1.00 X .05
53	44145	1	RING, RETAINING
54	51071	1	BUSHING, CENTER BLOCK
55	2003014	1	SPRING, BLOCK
56	2003017	1	WASHER, THRUST .59 X .79 X .04
57		76.3 OZ	OIL, 20W50
58	62589	1	KIT, BRAKE YOKE
		1	YOKE, BRAKE
		1	BOLT, SQ.HD. 5/16-24 RIBBED
59	51072	1	DISK, BRAKE
60	44132	2	PUCK, BRAKE
61	44134	1	PLATE, PUCK
62	44127	2	PIN, BRAKE ACTUATING
63	51146	2	BOLT, HEX HD 1/4-20 X 2 W/PATCH
65	23711	2	SPACER, .26 X .57 X .87

ITEM	PART NUMBER	QTY	DESCRIPTION
66	70896	1	KIT, SPRING
		1	SPRING, BRAKE ARM BIAS
		1	BULLETIN, BRAKE SPRING
68	44094	1	ARM, BRAKE
69	44142	1	NUT, CASTLE 5/16-24
70	44101	1	PIN, COTTER 3/32 X 3/4
71	50919	1	SPRING, COMPRESSION BRAKE ANTI-DRAG
72	50132	2	WASHER, FLAT .51 X 1.0 X .03
73	44130	3	WASHER, FLAT .34 X .88 X .06
74	70719	1	KIT, SEAL
		1	SEAL, LIP .625 X 1.0 X .25
		1	RING, RET - STAR WASHER
		1	BULLETIN, SHAFT SEAL
76	50284	1	STUD, 5/16-24 FRICTION PACK
77	51113	1	PUCK, .330 X 1.50 X .0975
78	50277	1	SPRING, HELICAL COMP
79	50278	1	SPACER, .32 X .59 X .50
80	50317	1	NUT, HEX LOCK 5/16-24 W/NYLON INSERT
81	51226	1	WEDGE, FRICTION PACK
82	51114	1	SPACER, FRICTION PACK
84	51143	1	FITTING, 5/16 SAE 5/32 TUBE
85	51147	1	HOSE, 7.56 IN EXPANSION TANK
88	50653	1	BOLT, SELF TAPPING 10-32 X .5
90	51227	1	PUCK, INNER WEDGE
95	50837	1	SCREW, SOCKET HD CAP 5/16-24 X 1.5
98	51719	1	ARM, RETURN
99	51097	1	PUCK, ADJUSTING
100	52493	1	WASHER, FLAT .32 X 1.60 X .24
103	51223	1	BRACKET, TORQUE
108	51069	1	WASHER, FLAT .71 X 1.16 X .04
109	9005110-5600	1	PLUG, 9/16-18 (METAL)
110	50868	1	SCREW, TORX HD 5/16-18 x 1.5
111	51144	1	O-RING, .299 x .505 x .103
124	70759	1	ASSEMBLY, CENTER SECTION, FILTER, BYPASS
		1	CENTER SECTION (5-PISTON)
		1	BASE FILTER W/POPPET
		2	CHECK PLUG ASSEMBLY, .027 BLEED, WASHER
		1	SPRING, BYPASS .50 IN
		1	ACTUATOR, BYPASS
		1	DEFLECTOR
		1	BOTTOM, FILTER
		1	BUSHING, .707 X .788 X .591
125	70756	1	ASSEMBLY, FILTER
		1	BASE, FILTER W/POPPET
		1	SPRING, BYPASS .50 IN
		1	ACTUATOR, BYPASS
		1	DEFLECTOR
		1	BOTTOM, FILTER
127	70463	1	KIT, SEAL & O-RING
		1	SEAL, LIP 17 X 40 X 7
		1	SEAL, LIP 18 X 32 X 7
		2	SEAL, LIP .750 X 1.577 X .250
		1	SEAL, LIP .250 X .750 X .250 TC
		1	SEAL, LIP .625 X 1.0 X .25
		1	O-RING, .299 x .505 x .103
128	70503	1	KIT, EXPANSION TANK
		1	TANK, EXPANSION ASSEMBLY
		1	CAP, EXPANSION
		1	BOLT, SELF TAPPING 10-32 X .5
		1	BRACKET, EXPANSION TANK
141	51708	1	SPACER, LOCATING
142	51707	1	BEARING, BALL 10 X 26 X 8
143	51710	1	WASHER, FLAT .384 X .631 X .03
144	51709	1	SCREW, COUNTERSUNK 1/4-20 X 1.0
145	50884	1	SPRING, BRAKE ARM BIAS

