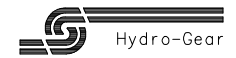
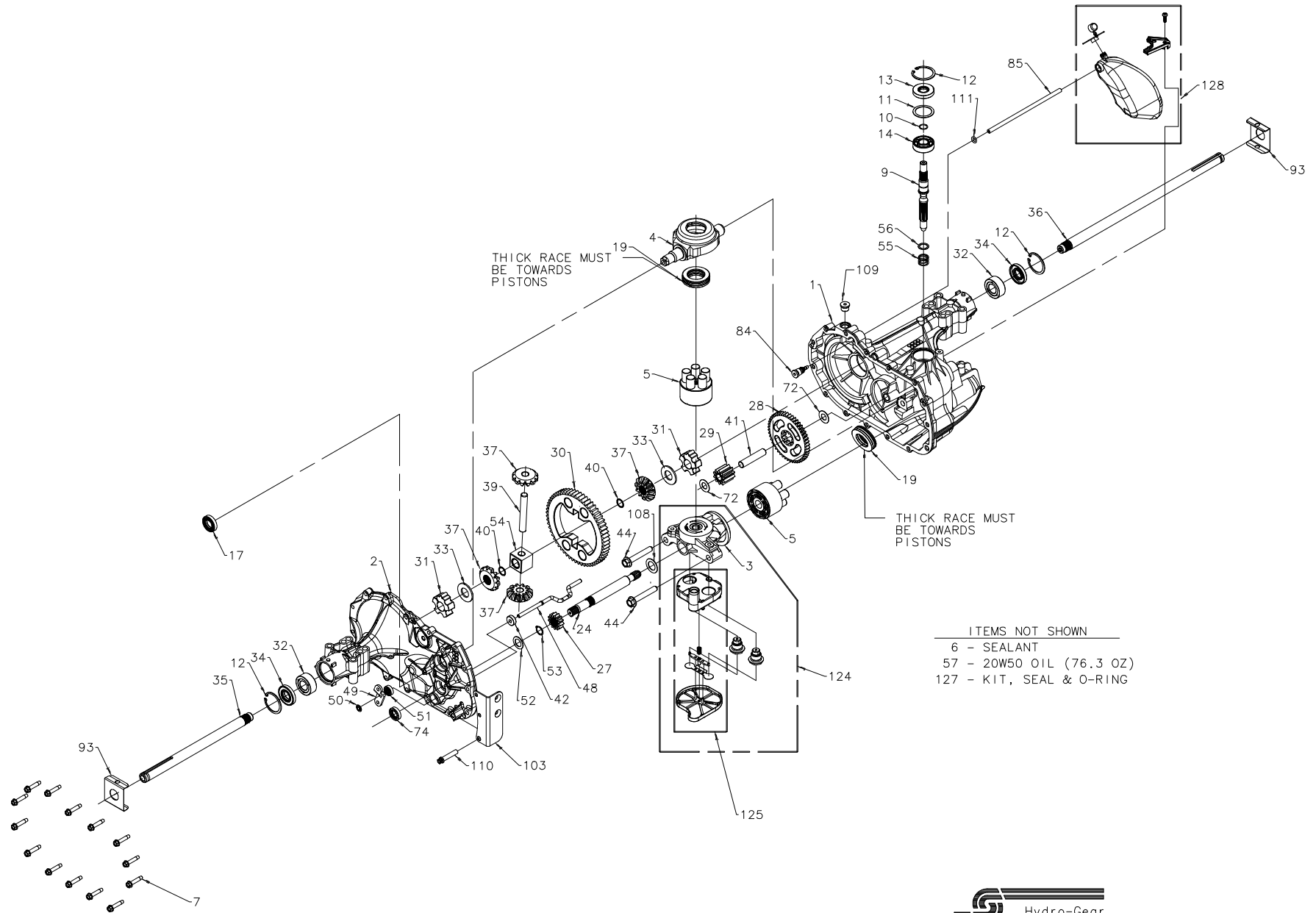


349-0510



349-0510

| ITEM | PART NUMBER | QTY | DESCRIPTION |
|------|-------------|---------|-------------------------------------|
| 1 | 70467 | 1 | ASSEMBLY, MAIN HOUSING |
| | | 1 | HOUSING, MAIN |
| | | 1 | BUSHING .865 X .985 X .790 |
| | | 2 | PIN, STANDARD HEADLESS |
| 2 | 70483 | 1 | ASSEMBLY, SIDE HOUSING |
| | | 1 | HOUSING, SIDE |
| | | 1 | BUSHING .865 X .985 X .790 |
| | | 1 | BUSHING .624 X .719 X .562 |
| 3 | 70477 | 1 | ASSEMBLY, CENTER SECTION |
| | | 1 | CENTER SECTION (5-PISTON) |
| | | 1 | BUSHING .707 X .788 X .591 |
| 4 | 51048 | 1 | TRUNNION, SWASHPLATE |
| 5 | 70331 | 2 | ASSEMBLY, BLOCK |
| | | 1 | BLOCK, CYLINDER |
| | | 5 | PISTON |
| | | 5 | SPRING, COMPRESSION |
| | | 5 | WASHER, THRUST |
| 6 | 50928 | 10.1 oz | SEALANT |
| 7 | 51190 | 14 | SCREW, HEX WASHER 1/4-20 X 1.25 |
| 9 | 51062 | 1 | SHAFT, INPUT |
| 10 | 2000022 | 1 | RING, RETAINING |
| 11 | 50951 | 1 | WASHER, FLAT 1.23 X 1.57 X .04 |
| 12 | 50329 | 3 | RING, RETAINING |
| 13 | 51161 | 1 | SEAL, LIP 17 x 40 x 7 |
| 14 | 50315 | 1 | BEARING, BALL 17 X 40 X 12 |
| 17 | 51140 | 1 | SEAL, LIP 18 X 32 X 7 |
| 19 | 50551 | 2 | BEARING, THRUST 30 X 52 X 13 |
| 24 | 50966 | 1 | SHAFT, MOTOR |
| 27 | 51130 | 1 | GEAR, 13T PINION |
| 28 | 51129 | 1 | GEAR, 10T/48T |
| 29 | 51043 | 1 | GEAR, 10T JACKSHAFT |
| 30 | 51044 | 1 | GEAR, 60T BULL |
| 31 | 51088 | 2 | BUSHING, SLEEVE (INBOARD) |
| 32 | 51089 | 2 | BUSHING, SLEEVE .752 X 1.571 X .625 |
| 33 | 44875 | 2 | WASHER, FLAT .77 X 1.5 X .10 |
| 34 | 51066 | 2 | SEAL, LIP .750 X 1.577 X .250 |
| 35 | 51068 | 1 | SHAFT, AXLE .75 X 11.39 (KEY, R.H.) |
| 36 | 51067 | 1 | SHAFT, AXLE .75 X 16.99 (KEY, L.H.) |
| 37 | 71310 | 1 | KIT, MITER GEAR |
| | | 2 | GEAR, MITER 12T (SPLINED) |
| | | 2 | GEAR, MITER 12T (.50 ID) |
| | | 1 | BULLETIN, MITER GEAR |
| 39 | 50146 | 1 | SHAFT, DIFFERENTIAL |
| 40 | 44871 | 2 | RING, SPIRAL RETAINING |
| 41 | 51083 | 1 | PIN, JACKSHAFT .50 X 2.43 |
| 42 | 51100 | 1 | MAGNET, RING |
| 44 | 50016 | 2 | BOLT, HEX FLANGE 3/8-24 X 2.5 |

| ITEM | PART NUMBER | QTY | DESCRIPTION |
|------|--------------|---------|---------------------------------------------------|
| 48 | 51098 | 1 | ROD, ACTUATOR BYPASS |
| 49 | 51135 | 1 | ARM, BYPASS |
| 50 | 51116 | 1 | RING, RETAINING .250 EXTERNAL |
| 51 | 51081 | 1 | SEAL, LIP .250 X .750 x .250 TC |
| 52 | 44371 | 1 | WASHER, FLAT .63 X 1.00 X .05 |
| 53 | 44145 | 1 | RING, RETAINING |
| 54 | 51071 | 1 | BUSHING, CENTER BLOCK |
| 55 | 2003014 | 1 | SPRING, BLOCK |
| 56 | 2003017 | 1 | WASHER, THRUST .59 X .79 X .04 |
| 57 | | 76.3 OZ | OIL, 20W50 |
| 74 | 70719 | 1 | KIT, SEAL |
| | | 1 | SEAL, LIP .625 X 1.0 X .25 |
| | | 1 | RING, RET-STAR WASHER |
| | | 1 | BULLETIN, SHAFT SEAL |
| 84 | 51143 | 1 | FITTING, 5/16 SAE 5/32 TUBE |
| 85 | 51147 | 1 | HOSE, 7.56 IN EXPANSION TANK |
| 93 | 51118 | 2 | SPRING CLIP, HOUSING THRUST (.75 IN AXLE) |
| 103 | 51223 | 1 | BRACKET, TORQUE |
| 108 | 51069 | 1 | WASHER, FLAT .71 X 1.16 X .04 |
| 109 | 9005110-5600 | 1 | PLUG, 9/16-18 (METAL) |
| 110 | 50868 | 1 | SCREW, TORX HD 5/16-18 x 1.5 |
| 111 | 51144 | 1 | O-RING, .299 x .505 x .103 |
| 124 | 71499 | 1 | ASSEMBLY, CENTER SECTION, FILTER, BYPASS |
| | | 1 | CENTER SECTION (5-PISTON) |
| | | 1 | BASE, FILTER W/POPPET |
| | | 2 | SHOCK VALVE ASSEMBLY, .027 BLEED, WASHER, 270 BAR |
| | | 1 | SPRING, BYPASS .50 IN |
| | | 1 | ACTUATOR, BYPASS |
| | | 1 | DEFLECTOR |
| | | 1 | BOTTOM, FILTER |
| | | 1 | BUSHING, .707 X .788 X .591 |
| 125 | 70756 | 1 | ASSEMBLY, FILTER |
| | | 1 | BASE, FILTER W/POPPET |
| | | 1 | SPRING, BYPASS .50 IN |
| | | 1 | ACTUATOR, BYPASS |
| | | 1 | DEFLECTOR |
| | | 1 | BOTTOM, FILTER |
| 127 | 70463 | 1 | KIT, SEAL & O-RING |
| | | 1 | SEAL, LIP 17 X 40 X 7 |
| | | 1 | SEAL, LIP 18 X 32 X 7 |
| | | 2 | SEAL, LIP .750 X 1.577 X .250 |
| | | 1 | SEAL, LIP .250 X .750 X .250 TC |
| | | 1 | SEAL, LIP .625 X 1.0 X .25 |
| | | 1 | O-RING, .299 x .505 x .103 |
| 128 | 71487 | 1 | KIT, EXPANSION TANK |
| | | 1 | TANK, EXPANSION ASSEMBLY |
| | | 1 | CAP, EXPANSION TANK SHIPPING |
| | | 1 | BOLT, SELF TAPPING 10-32 X .5 |
| | | 1 | BRACKET, EXPANSION TANK |

