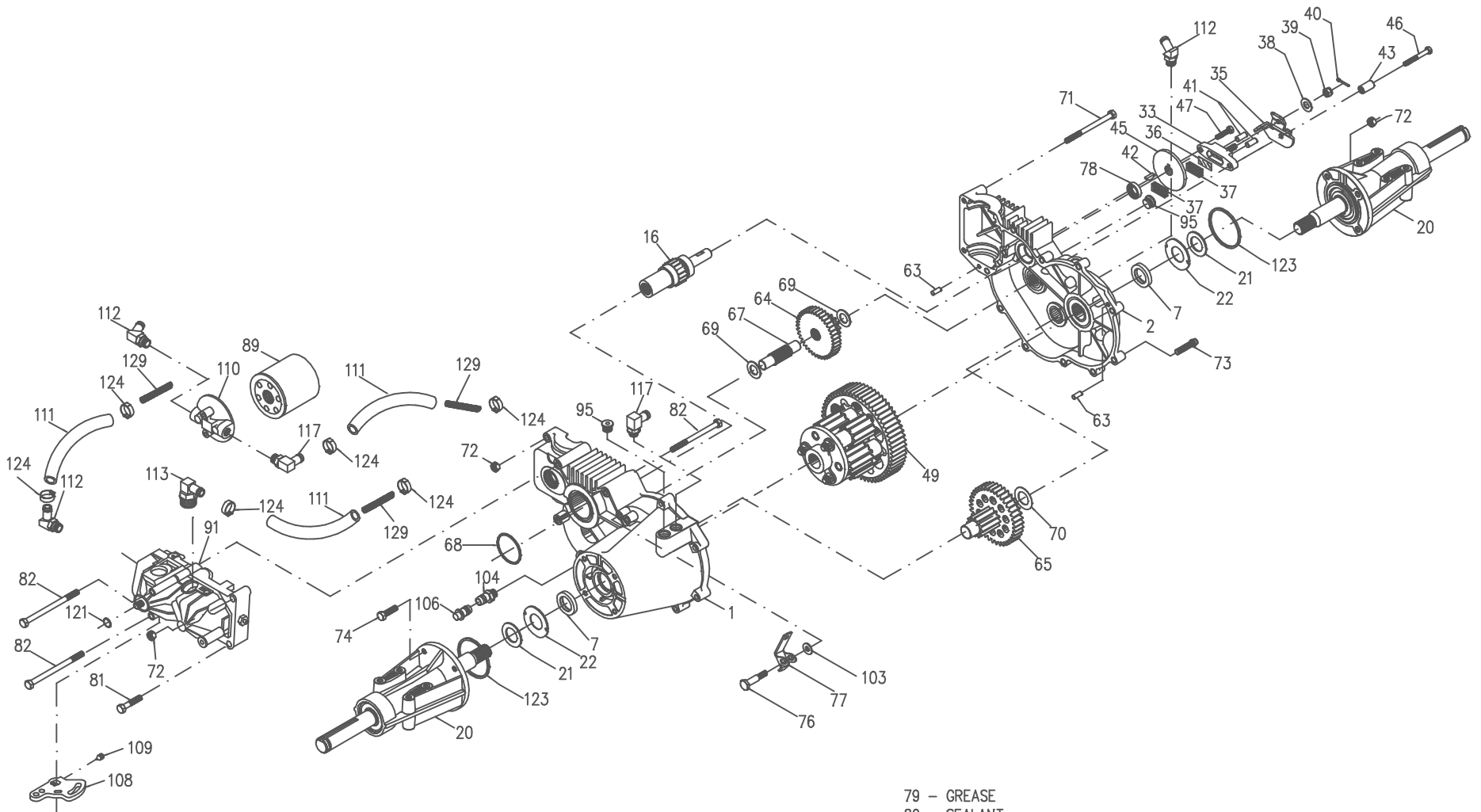


150073
218-3010L



150073
218-3010L

| ITEM NO. | HYDRO-GEAR PART NO. | QTY | DESCRIPTION |
|----------|---------------------|-----|---------------------------------------|
| 1 | 70086 | 1 | ASSEMBLY, L H HOUSING |
| | | 1 | L H HOUSING |
| | | 1 | DISC, THRUST 1-1/8 OD |
| | | 1 | BEARING, NEEDLE SCE1412 |
| | | 1 | BEARING, BALL 25MM X 52MM |
| | | 1 | BEARING, NEEDLE - SCH 1012 |
| | | 1 | SEAL, OIL .984 X 1.5 X .25 |
| 2 | 70088 | 1 | ASSEMBLY, R H HOUSING |
| | | 1 | HOUSING, R H TRANSAXLE |
| | | 1 | BOLT, RIB NECK 5/16-18 |
| | | 1 | WASHER, RUBBER 5/8 OD X .313 ID X .04 |
| | | 1 | BEARING, NEEDLE SCE1412 |
| | | 1 | BEARING, BALL 25MM X 52MM |
| | | 1 | BEARING, NEEDLE - SCH 1012 |
| | | 1 | SEAL, OIL .984 X 1.5 X .25 |
| 7 | 44782 | 2 | OIL SEAL .984 X 1.5 X .25 |
| 16 | 62877 | 1 | BRAKE SHAFT ASSEMBLY |
| | | 1 | SHAFT, BRAKE |
| | | 2 | BEARING, BALL .62 X 1.38 X .43 |
| | | 1 | GEAR, 17T |
| | | 1 | COUPLING |
| 20 | 70087 | 2 | AXLE MOUNTING HORN ASSEMBLY |
| | | 1 | AXLE MOUNTING HORN |
| | | 1 | BEARING, 25MM ID (W/ SEALS) |
| | | 1 | WASHER, 1.0 X 1.63 X .08 HT |
| | | 1 | WASHER, 1.0 X 2.06 X .09 HT |
| | | 1 | SHAFT, AXLE |
| | | 1 | RING, RETAINING |
| 21 | 44805 | 2 | WASHER, 1.0 X 1.63 X .08 HT |
| 22 | 44806 | 2 | WASHER, 1.0 X 2.06 X .09 HT |
| 33 | 62589 | 1 | BRAKE YOKE ASSEMBLY |
| | | 1 | YOKE, BRAKE |
| | | 1 | BOLT, SQ HD 5/16-24 |
| 35 | 50214 | 1 | ARM, BRAKE |
| 36 | 44134 | 1 | PLATE, PUCK |
| 37 | 44132 | 2 | PUCK, BRAKE |
| 38 | 44130 | 1 | WASHER, 7/8OD X 7/16 X .060 HT |
| 39 | 44142 | 1 | NUT, SLOTTED HEX |
| 40 | 44101 | 1 | PIN, COTTER |
| 41 | 44127 | 2 | PIN, BRAKE ACTUATING |
| 42 | 44143 | 1 | KEY, HI-PRO 3/16 X 5/8 |
| 43 | 50259 | 1 | SPACER |
| 45 | 44090 | 1 | DISC, BRAKE |
| 46 | 44276 | 1 | BOLT, 1/4-20 X 1-1/2 |
| 47 | 44433 | 1 | BOLT, 1/4-20 X 1 W/NYLOK GR5 |

| ITEM NO. | HYDRO-GEAR PART NO. | QTY | DESCRIPTION |
|----------|---------------------|--------|----------------------------------|
| 49 | 70251 | 1 | DIFFERENTIAL ASSEMBLY |
| | | 2 | GEAR, 12T DIFFERENTIAL |
| | | 6 | GEAR, 10T PLANET DIFFERENTIAL |
| | | 6 | SPACER, DIFFERENTIAL |
| | | 3 | SPACER, SHAFT |
| | | 1 | DIFFERENTIAL END CAP |
| | | 3 | BOLT, 3/8-24 X 4.5 GDB |
| | | 3 | NUT, HEX LOCK 3/8-24 GDB |
| | | 3 | SHAFT, DIFFERENTIAL |
| | | 1 | GEAR, 60T DIFFERENTIAL |
| 63 | 44757 | 2 | PIN, DOWEL |
| 64 | 44776 | 1 | GEAR, REDUCTION 14T-38T |
| 65 | 70051 | 1 | FINAL DRIVE PINION ASSEMBLY |
| | | 1 | GEAR 38T |
| | | 1 | GEAR 12T |
| 67 | 44779 | 1 | SHAFT, JACK |
| 68 | 44781 | 1 | O-RING |
| 69 | 44795 | 2 | WASHER, FL 5/8ID X 1-1/4 X .05 |
| 70 | 44794 | 1 | WASHER, FL 7/8ID X 1-1/2OD HT |
| 71 | 44827 | 2 | BOLT, HEX HD 5/16-18 X 3-1/2 |
| 72 | 43083 | 4 | HEX NUT 5/16-18 |
| 73 | 50868 | 11 | TORX HEAD SCREW, 5/16-18 |
| 74 | 45089 | 7 | CAP SCREW, HEX 5/16-18 X 1 GR5 |
| 76 | 44785 | 1 | BOLT, SHOULDER |
| 77 | 44786 | 1 | ARM, FREEWHEEL ACTUATING |
| 78 | 44761 | 1 | SEAL, OIL .625 X 1.0 X .25 |
| 79 | 50416 | 1 | GREASE (10 OZ. TUBE) |
| 80 | 50928 | 1 | SEALANT |
| 81 | 43084 | 1 | BOLT, HEX 5/16-18 X 1-3/4 GR 5 |
| 82 | 44820 | 3 | BOLT, 5/16-18 X 4-1/2 GR 5 |
| 89 | 50037 | 1 | SPIN-ON FILTER |
| 90 | | 99.8oz | 20W-50 OIL |
| 91 | BDU-10L-122 | 1 | BDU-10L-122 |
| 95 | 9005110-5600 | 2 | PLUG, STRAIGHT THREAD |
| 102 | 70052 | 1 | SEAL KIT |
| 103 | 50169 | 1 | WASHER |
| 104 | 70109 | 1 | CAP VENT ASSEMBLY |
| | | 1 | VENT |
| | | 1 | CAP |
| 106 | 70110 | 1 | FITTING-O RING ASSEMBLY |
| | | 1 | O-RING |
| | | 1 | FITTING |
| 108 | 45007 | 1 | CONTROL ARM |
| 109 | 50018 | 1 | SET SCREW |
| 110 | 50207 | 1 | FILTER HEAD |
| 111 | 50632 | 3 | 1/2" HOSE, 12" LONG |
| 112 | 50604 | 3 | 1/2" BEADED 60° 9/16 SAE FITTING |
| 113 | 50592 | 1 | 1/2" BEADED 90° 7/8 SAE FITTING |
| 117 | 50589 | 2 | 1/2" BEADED 90° 9/16 SAE FITTING |
| 121 | 2003016 | 1 | WIRE RETAINING RING |
| 123 | 50405 | 2 | O RING |
| 124 | 50590 | 6 | PINCH CLAMP |
| 129 | 50667 | 3 | SPRING, LONG |

