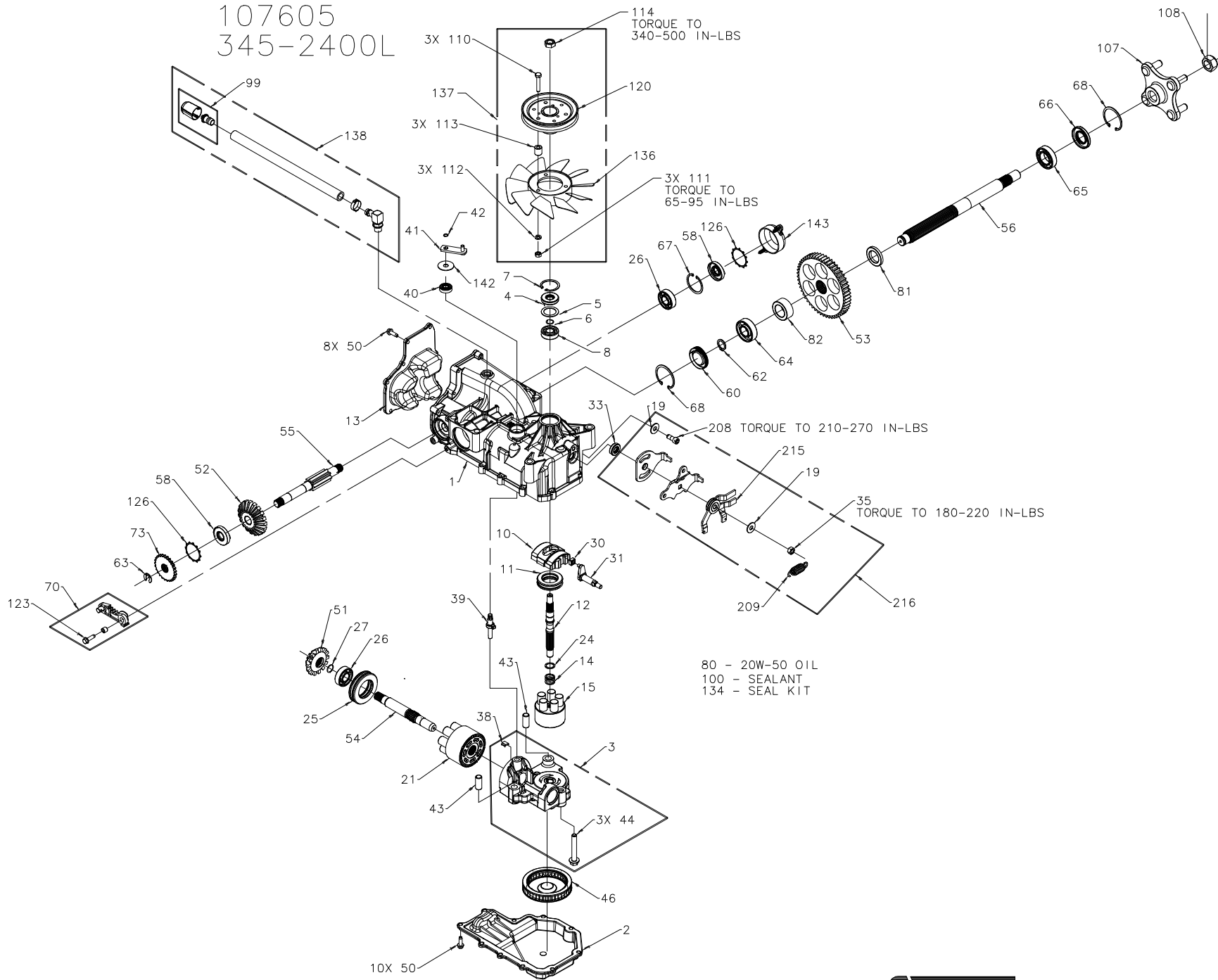


107605
345-2400L



107605
345-2400L

ITEM NO.	HYDRO-GEAR PART NO.	QTY.	DESCRIPTION	ITEM NO.	HYDRO-GEAR PART NO.	QTY.	DESCRIPTION	ITEM NO.	HYDRO-GEAR PART NO.	QTY.	DESCRIPTION
1	70627	1	KIT, HOUSING-MAIN	53	50746	1	53T SPUR GEAR	136	50307	1	FAN, 7 INCH, 10 BLADE
		1	HOUSING, MAIN	54	50757	1	MOTOR SHAFT	137	70243	1	KIT, FAN/PULLEY
		2	CRADLE BEARING	55	51298	1	BRAKE SHAFT	138	71301	1	KIT, BREATHER
		1	SEAL, LIP 12 X 25 X 7	56	50748	1	AXLE SHAFT			1	VENT, PLASTIC
		1	TRUNNION BUSHING	58	51161	2	SEAL, LIP 70 X 40 X 7			1	HOSE, .5 X 12
		1	SCREW, HFHC 1/4-28 X 7/8 (PATCH)	60	50995	1	SEAL PLUG - SIDE			1	CLAMP, PINCH 13/16
2	50890RM	1	LOWER HOUSING	62	50759	1	RETAINING RING - AXLE			1	90 9/16 SAE .5 BEAD (METAL)
3	70679	1	KIT, CENTER SECTION	63	51109	1	RING, RETAINING			1	CAP, PLASTIC
		1	CENTER SECTION	64	50743	1	BEARING-BALL 20X47X14(6204)	142	51813	1	WASHER, .39 X 1.27 X .05
		1	BUSHING .67 X 1.03 X .75	65	50740	1	BEARING-BALL 25X47X12(6005)	143	51774	1	CAP, BRAKE
		1	PLATE, BYPASS	66	50751	1	SEAL	208	51400	1	SCREW, 5/16-24 X .05
		3	SCREW 3/8-24 X 2.5	67	50329	1	RETAINING RING	209	52401	1	SPRING, EXTENSION
		2	CHECK PLUG ASSEMBLY, .044	68	50760	2	RETAINING RING-AXLE	215	52411	1	ASSEMBLY, RTN
4	9008000-0128	1	LIP SEAL	70	70391	1	LH, BRAKE ARM SERVICE ASSEMBLY	216	70609	1	KIT, RTN
5	2003018	1	SPACER			1	BRAKE ARM			2	WASHER
6	2003016	1	WIRE RETAINING RING			1	CLEVIS PIN			1	NUT, LOCK, SIDE 5/16-24 UNF
7	2003052	1	RETAINING RING			1	BUSHING 0.255X0.381X0.330			1	SCREW, 5/16-24 X .75 (PATCH)
8	2003043	1	BALL BEARING			1	HEX WASHER HEAD SCREW, 1/4-20 X 7/8			1	SPRING, EXTENSION
10	2003087	1	VARIABLE SWASHPLATE	73	50754	1	BRAKE DISC			1	CONTROL ARM
11	50551	1	THRUST BEARING 30 X 52 X 13	80		79oz	20W-50 OIL			1	ARM, RETURN
12	50005	1	INPUT SHAFT	81	51939	1	WASHER, AXLE 1.04 X 1.65 X .22				
13	50891RM	1	COVER-BACK	82	51940	1	WASHER, AXLE 1.04 X 1.65 X .70				
14	2003014	1	SPRING, BLOCK	99	70921	1	CAP VENT ASSEMBLY				
15	70331	1	10cc CYLINDER BLOCK ASS'Y			1	CAP, PLASTIC				
		1	10cc CYLINDER BLOCK			1	VENT, PLASTIC				
		5	10cc PISTON SPRING	100	50928	1	SEALANT				
		5	PISTON SEAT WASHER	107	70314	1	HUB ASSEMBLY				
		5	10cc PISTON			1	HUB				
19	44130	2	WASHER			4	LUG BOLT				
21	70082	1	21cc CYLINDER BLOCK ASS'Y	108	50863	1	NUT, HEX 3/4-16				
		1	21cc CYLINDER BLOCK	110	44276	3	SCREW, 1/4-20 X 1-1/2				
		7	21cc PISTON SPRING	111	43178	3	NUT, 1/4-20				
		7	PISTON SEAT WASHER	112	43177	3	LOCKWASHER				
		7	10cc PISTON	113	50259	3	SPACER				
24	2003017	1	WASHER, BLOCK THRUST	114	44133	3	NUT, 1/2-20				
25	50552	1	THRUST BEARING 42 X 68 X 16	120	50302	1	PULLEY, ϕ 4.50 X 1.625				
26	50315	2	BALL BEARING	123	51576	1	SCREW, HFHC 1/4-28 X 7/8 (PATCH)				
27	2000022	1	WIRE RETAINING RING	126	51316	2	RING, RETAINING				
30	2000015	1	SLOT GUIDE	134	70553	1	KIT, SEAL				
31	50807	1	TRUNNION ARM			1	SEAL, LIP 15 X 35 X 7				
33	9008000-0126	1	LIP SEAL			1	RING, RETAINING				
35	52506	1	NUT, LOCK, SIDE 5/16-24 UNF			1	SEAL, LIP 12 X 25 X 7				
38	70680	1	KIT, BYPASS PLATE			1	SEAL, LIP 10 X 25 X 7				
39	2003555	1	BYPASS ACTUATOR			1	RING, RETAINING				
40	45074	1	LIP SEAL			2	SEAL, LIP 17 X 40 X 7				
41	50270	1	BYPASS ARM			1	SEAL, LIP 1.85 X .32				
42	44870	1	RETAINING RING			1	RING, RETAINING				
43	50002	2	PIN			1	RING, RETAINING .440 EXTERNAL				
44	50016	3	SCREW			1	SEAL, LIP .98 X 1.85 X .276				
46	50990	1	FILTER			1	RING, RETAINING				
50	50752	18	SCREW, 1/4-20 X .75 LONG			2	RING, RETAINING				
51	50744	1	14T BEVEL GEAR			2	RING, RETAINING				
52	50745	1	19T BEVEL GEAR								

P6

ADDED NEW FRAME

REV'D ITEM 35, P/N 50108

TO P/N 52506

REMOVED ITEM 204, P/N 51393,

QTY 1, DESC ARM, RTN SCISSOR, OUTER

REMOVED ITEM 205, P/N 51392,

QTY 1, DESC ARM, RTN SCISSOR, INNER

REMOVED ITEM 207, P/N 51604,

QTY 1, DESC SPACER, RTN

REV'D ITEM 215, P/N 51408,

QTY 2, DESC WASHER, NYLON TO

P/N 52411, QTY 1, DESC ASSEMBLY, RTN

ECN #19694

09/28/06 R. GAGNON