

# Rider 850



**1.1997**

**Spare parts**

**Ersatzteile**

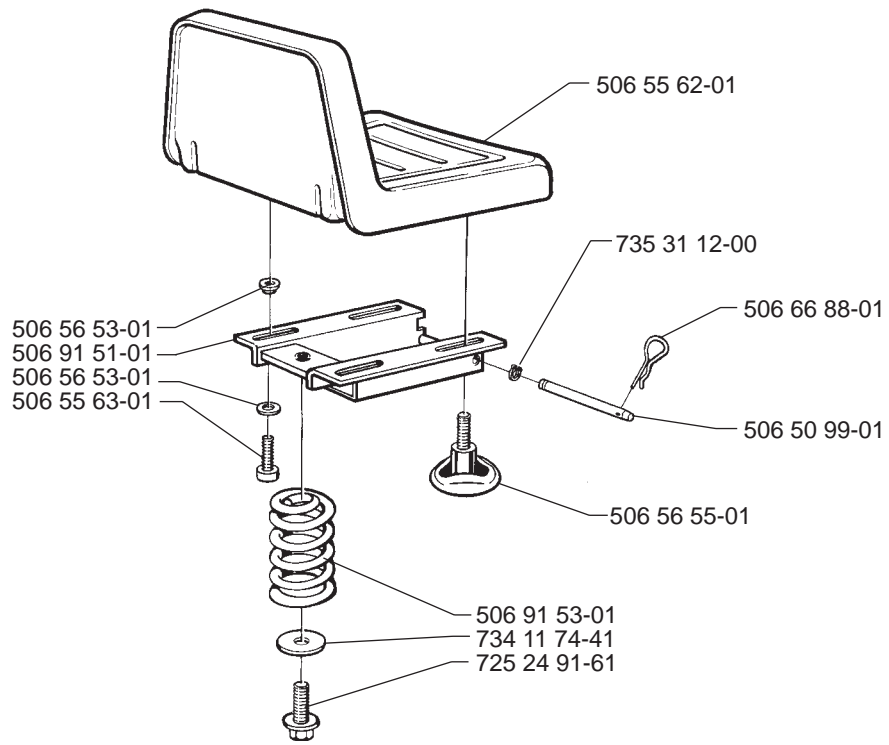
**Pièces détachées**

**Reserve onderdelen**

**Repuestos**

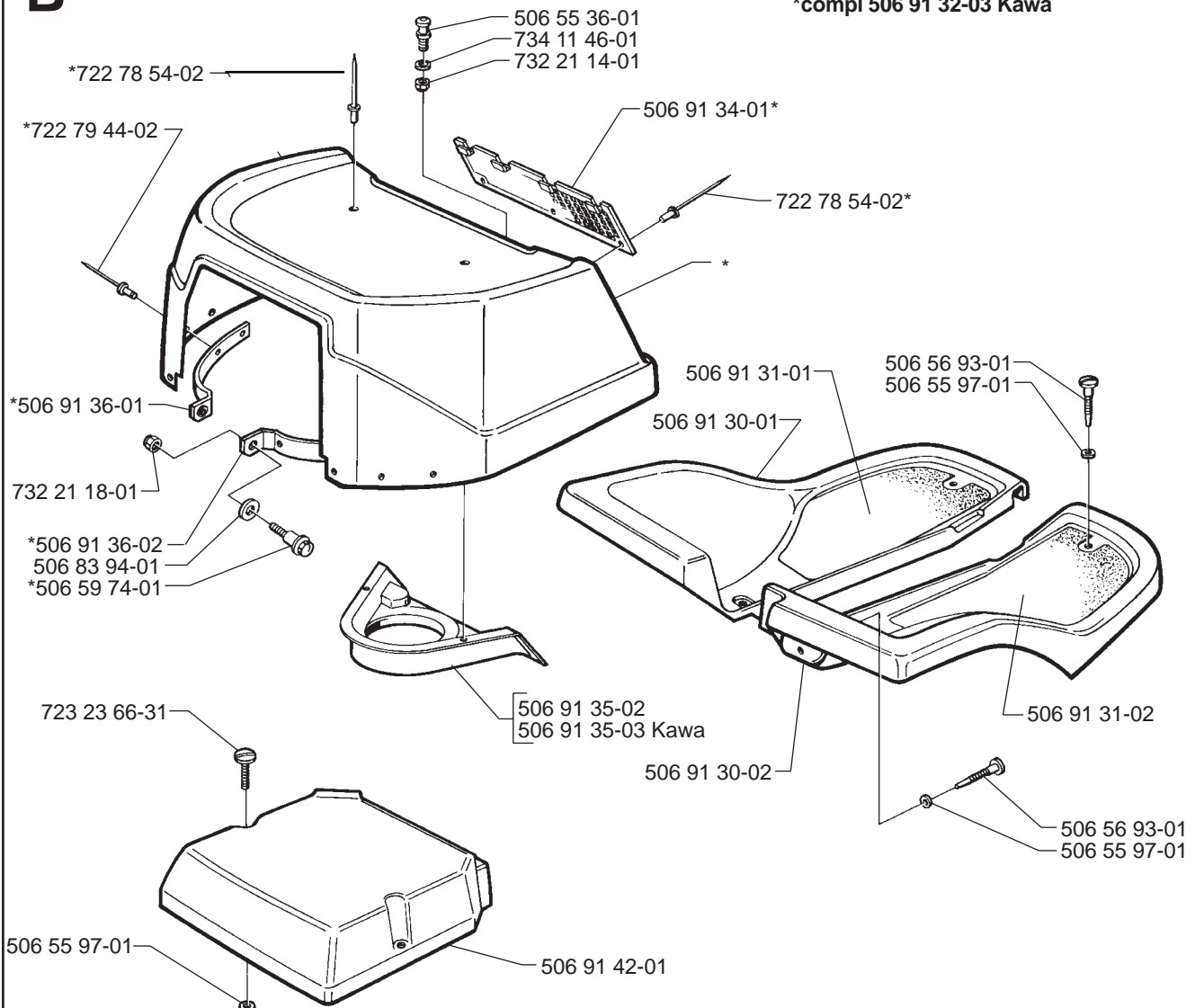
**Reservdelar**

# A

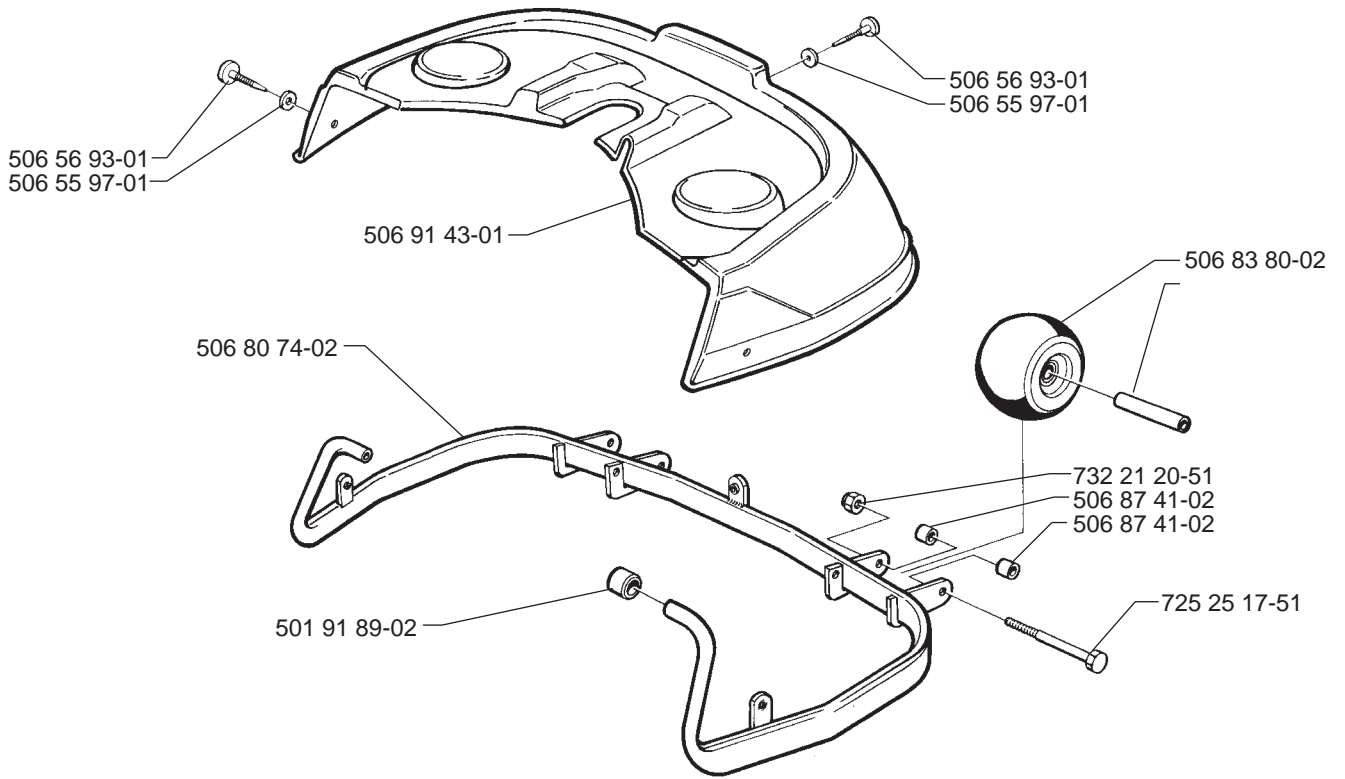


# B

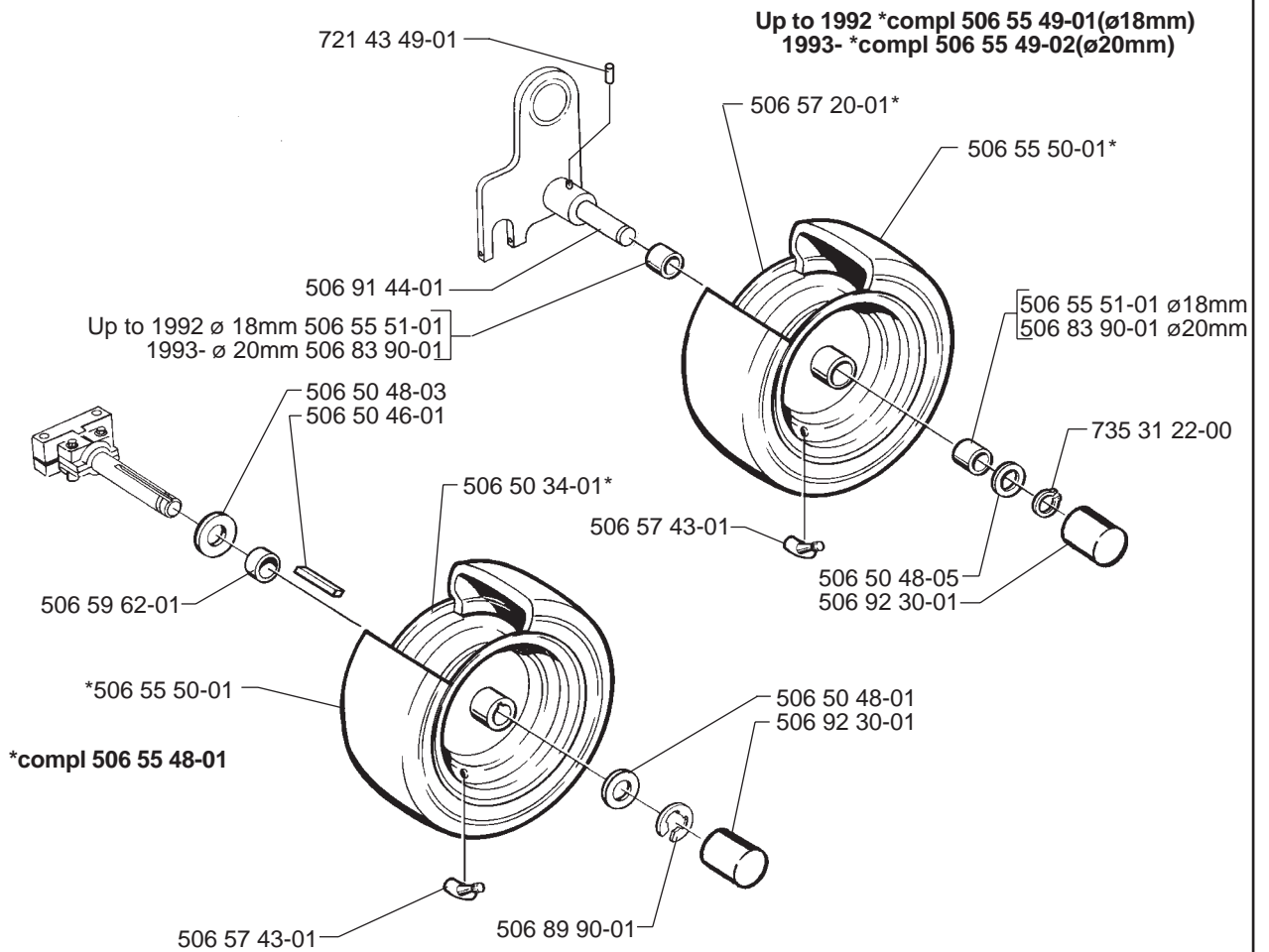
\*compl 506 91 32-02  
\*compl 506 91 32-03 Kawa



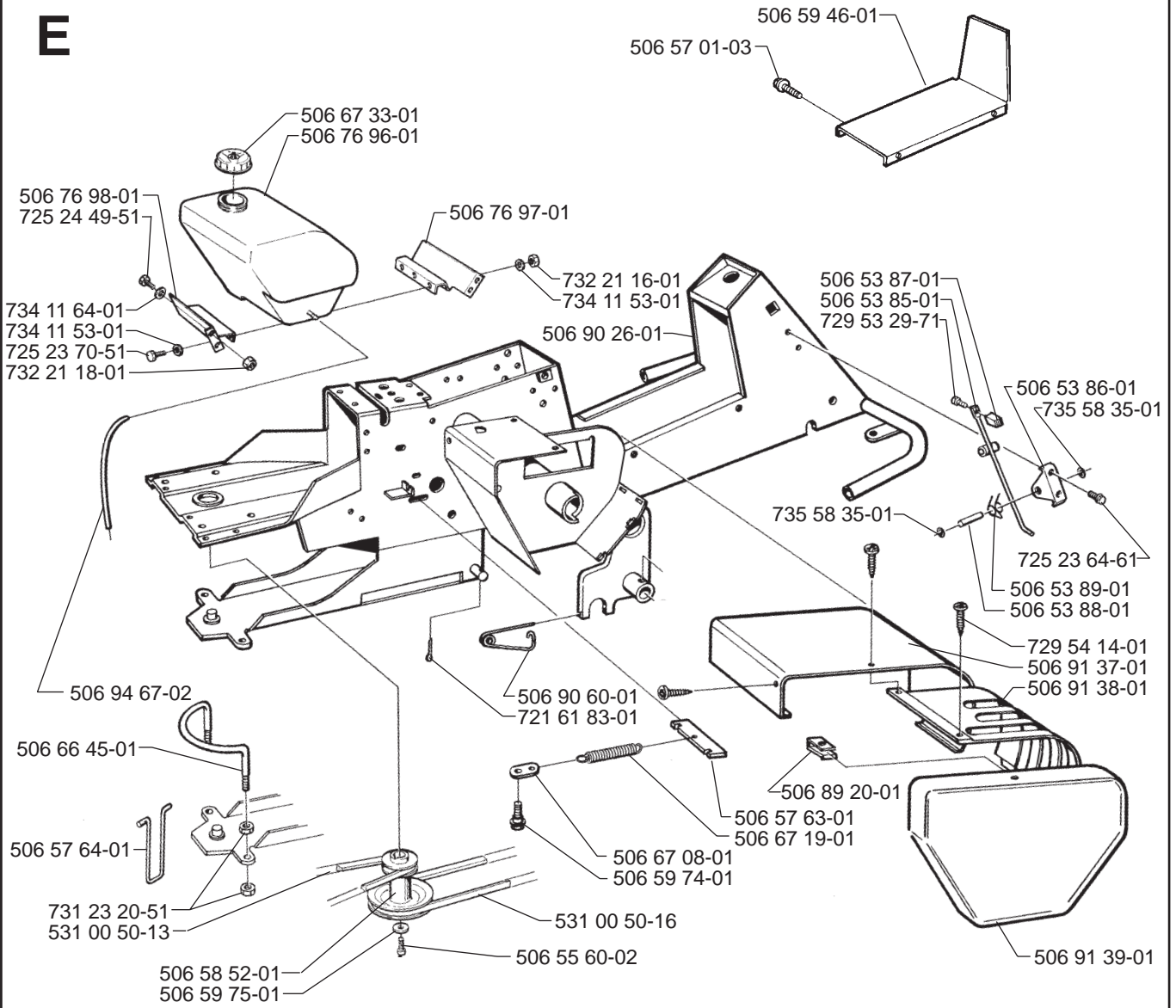
**C**



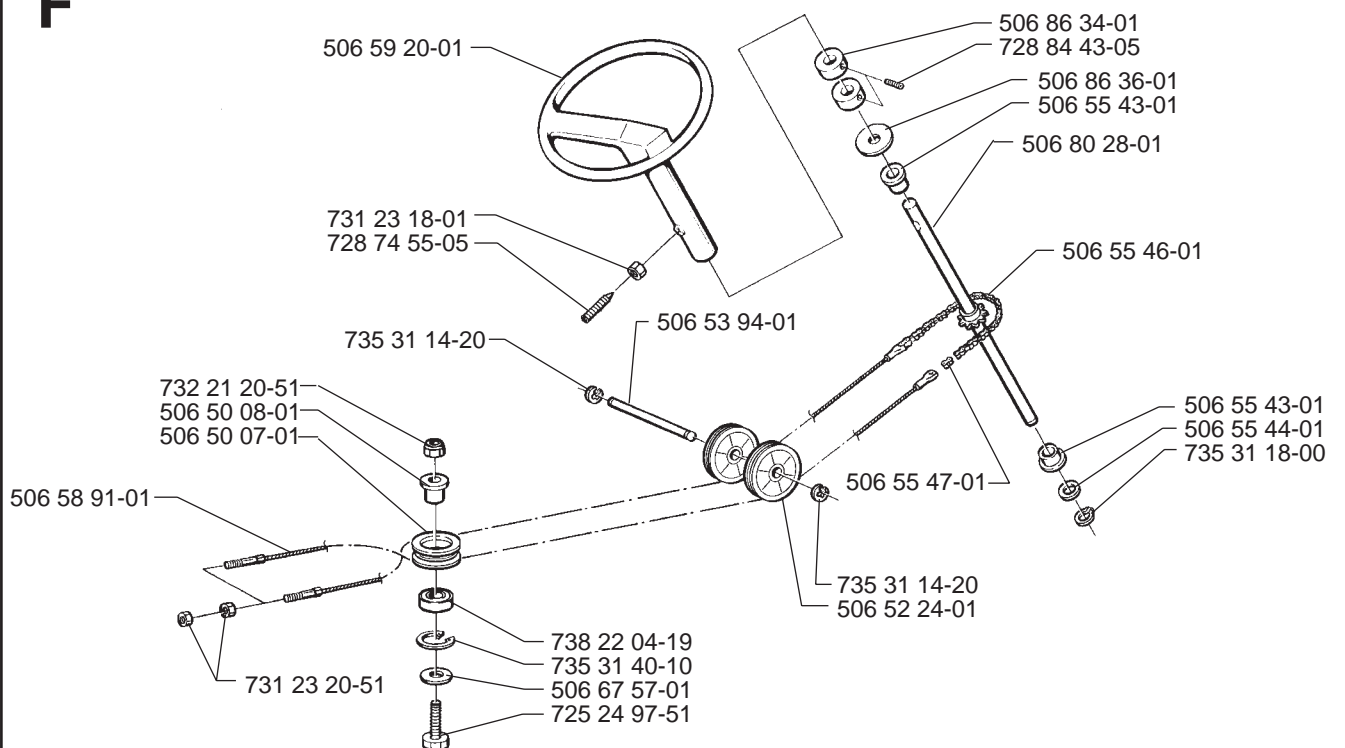
**D**

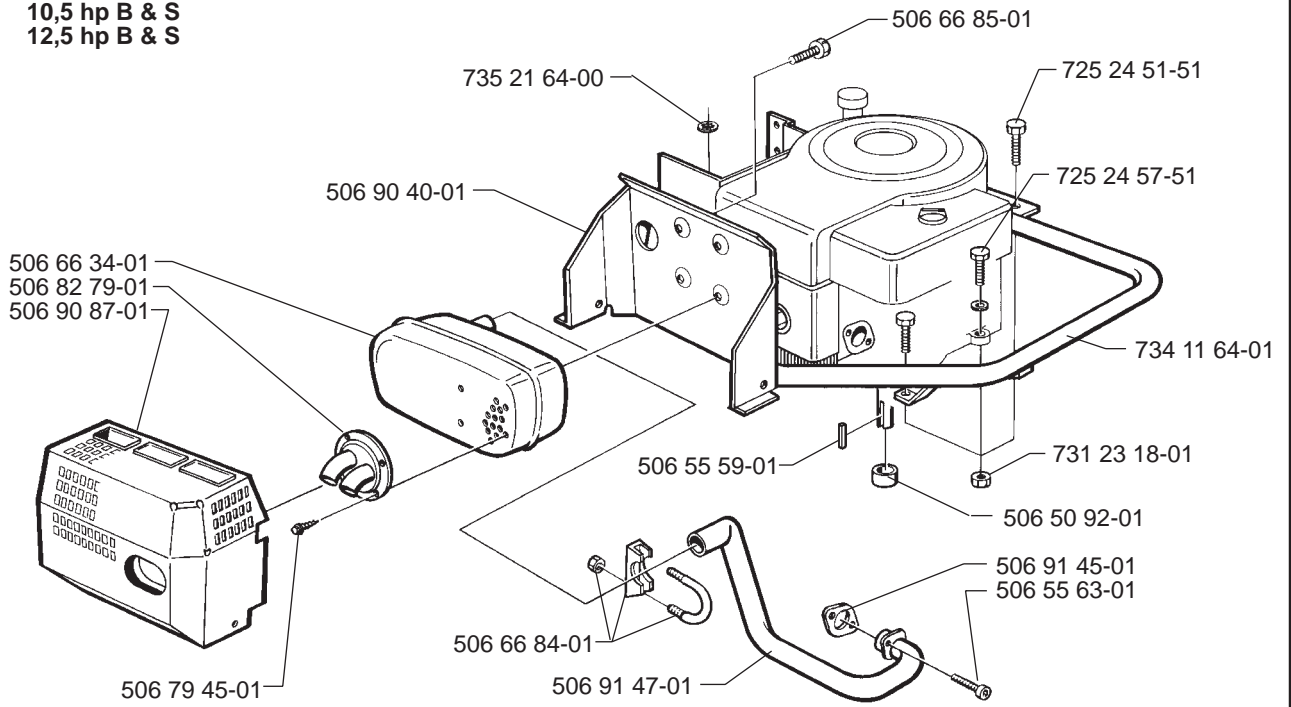
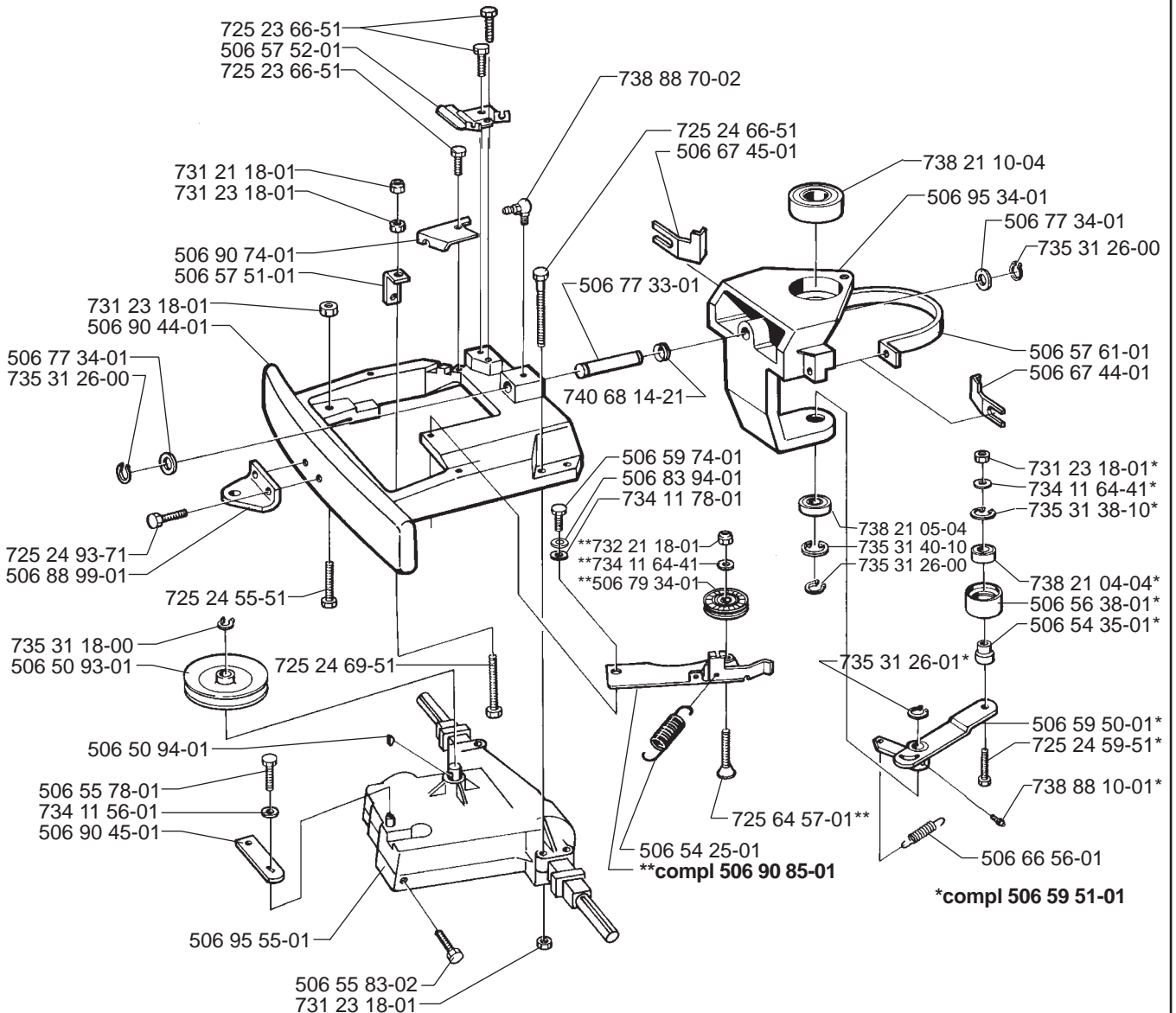


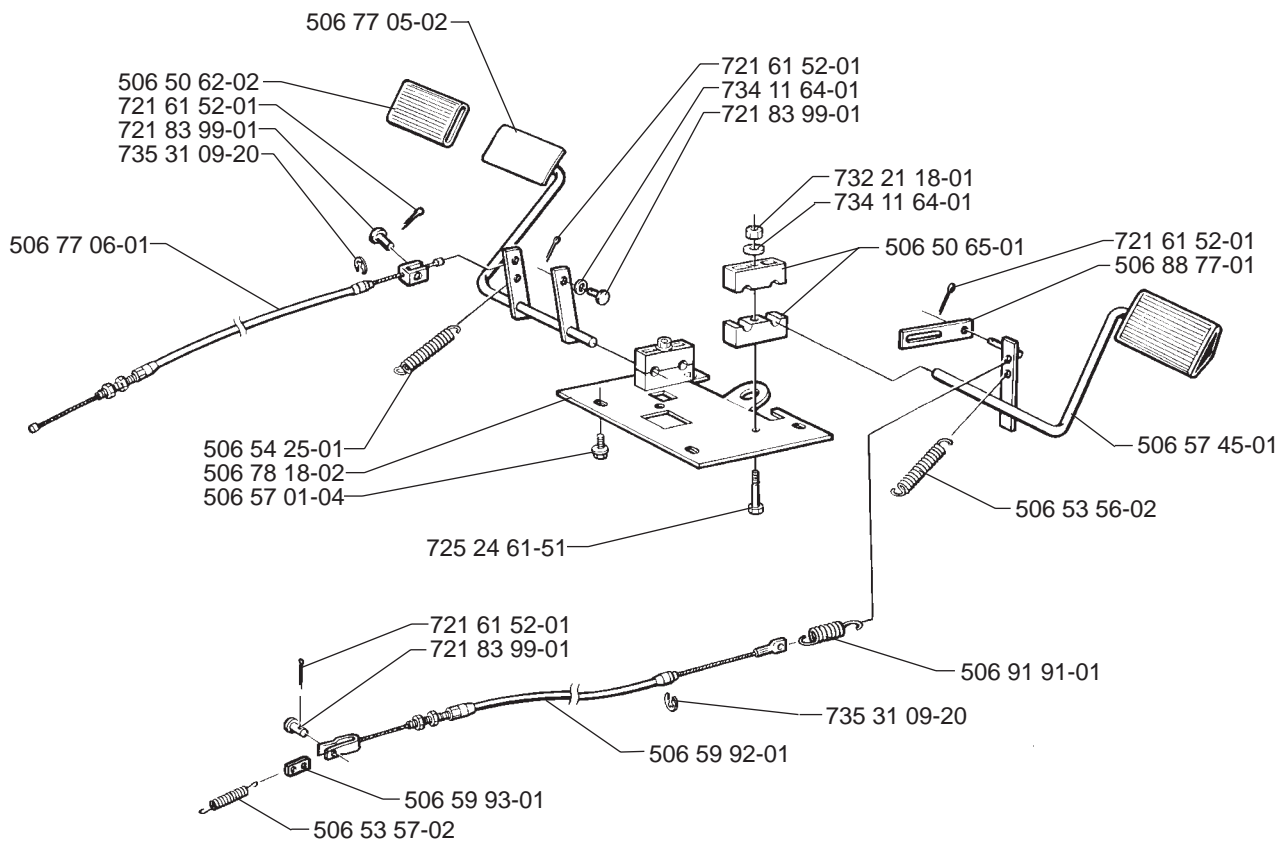
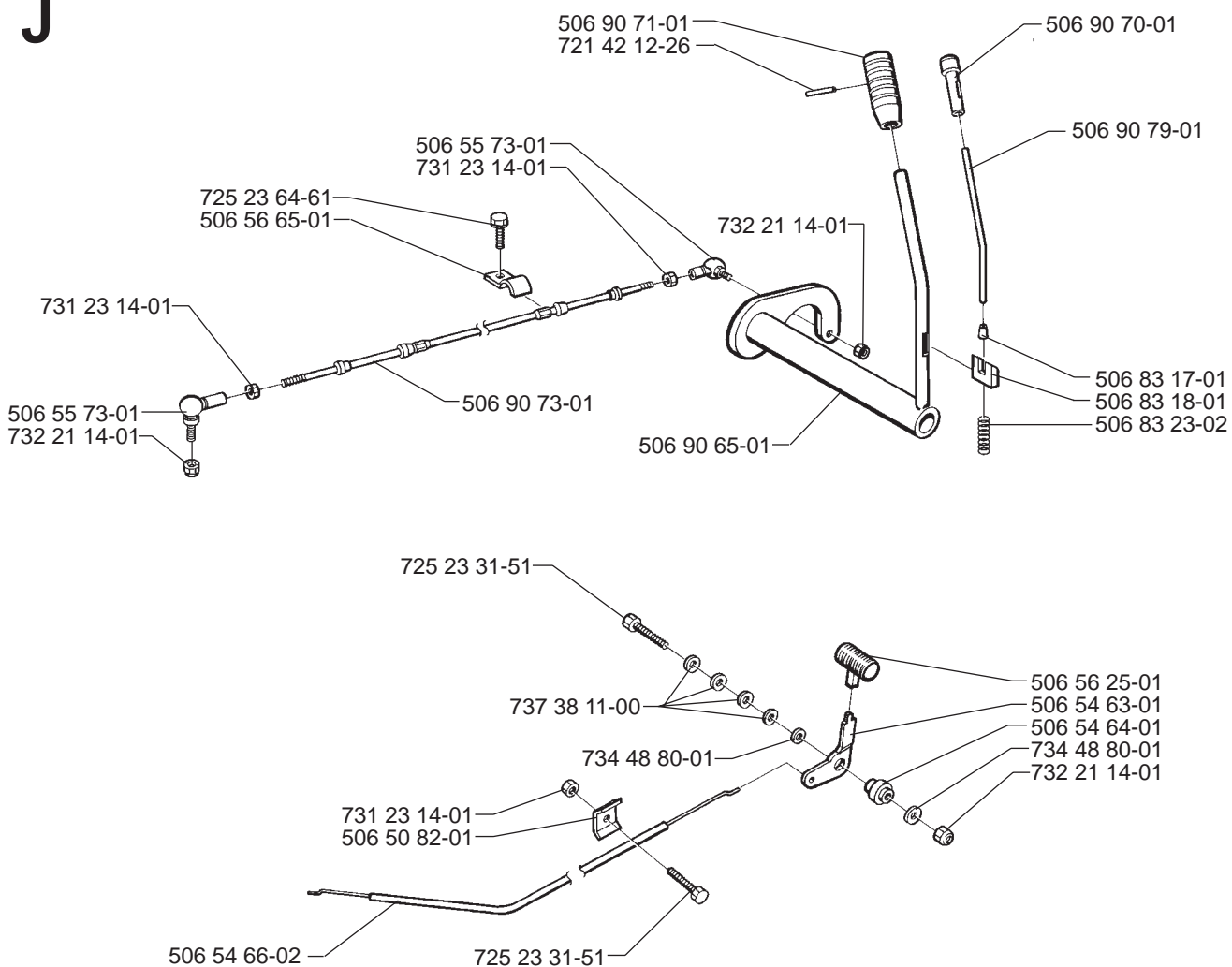
# E



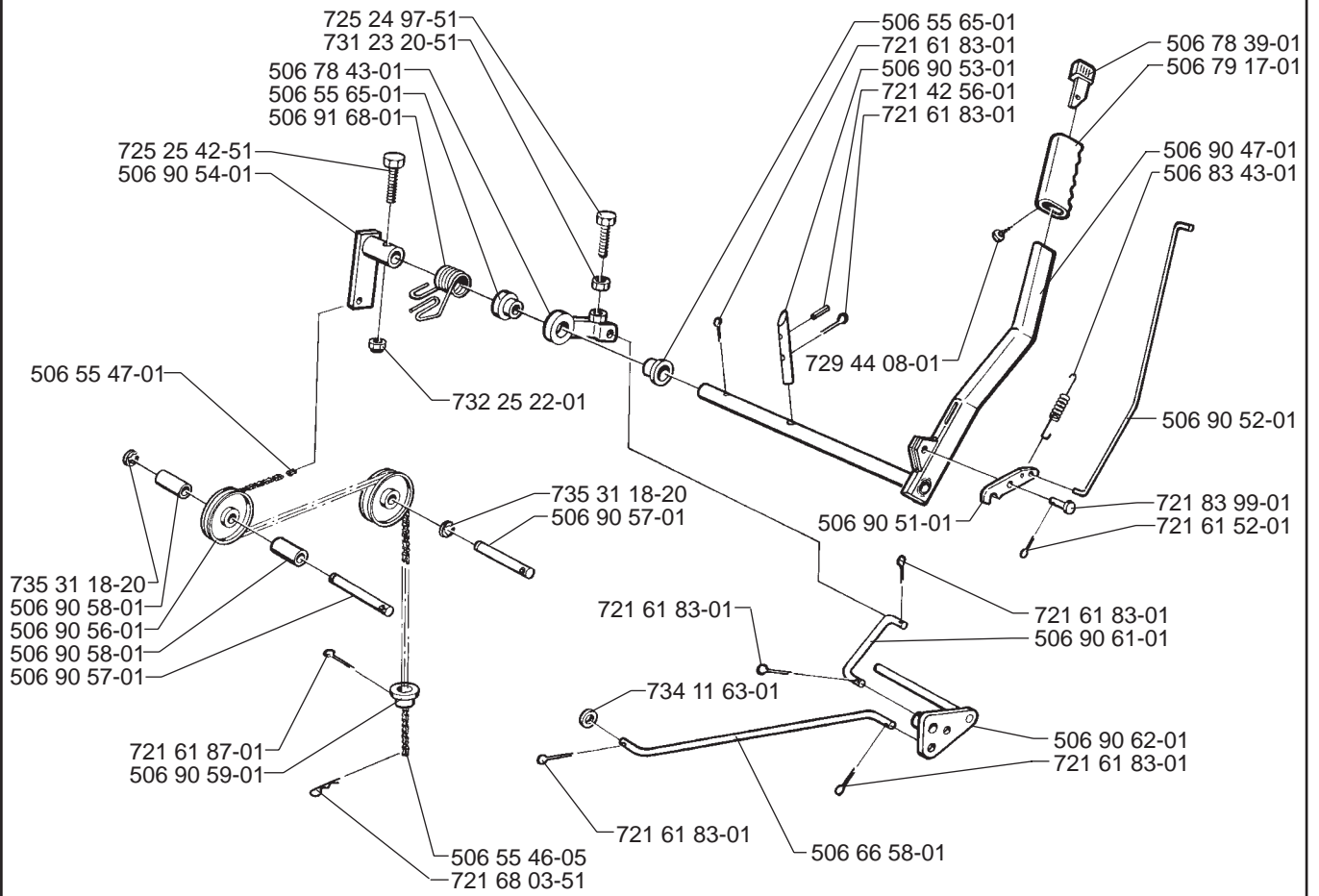
# F



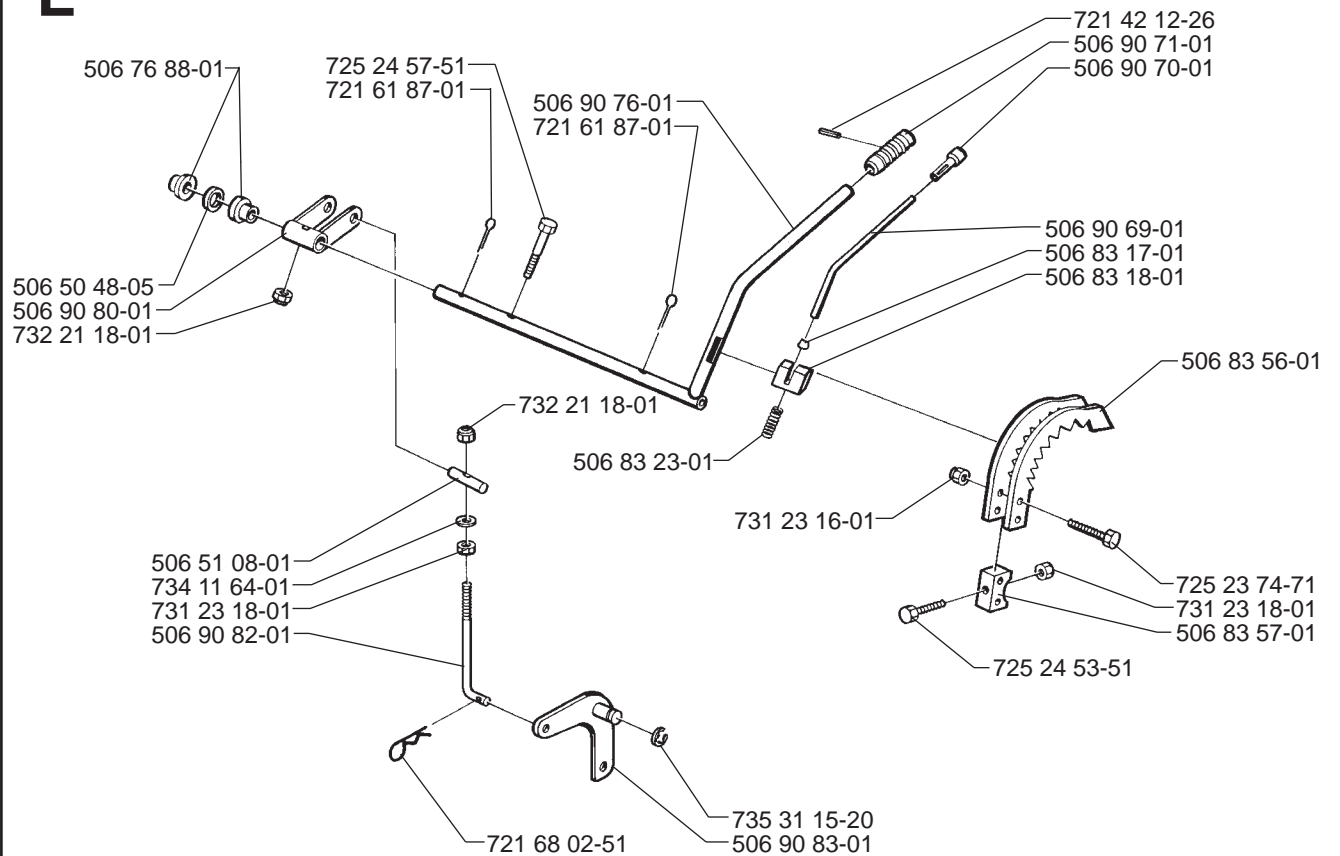
**G**10,5 hp B & S  
12,5 hp B & S**H**

**I****J**

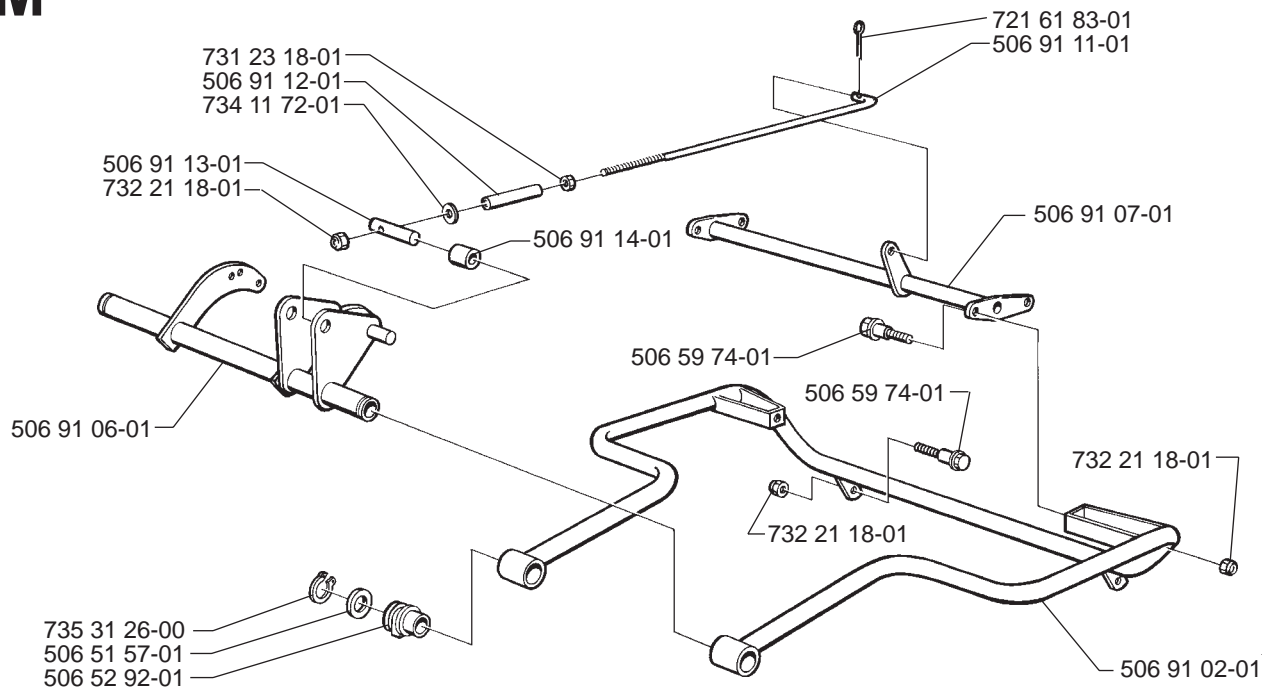
# K



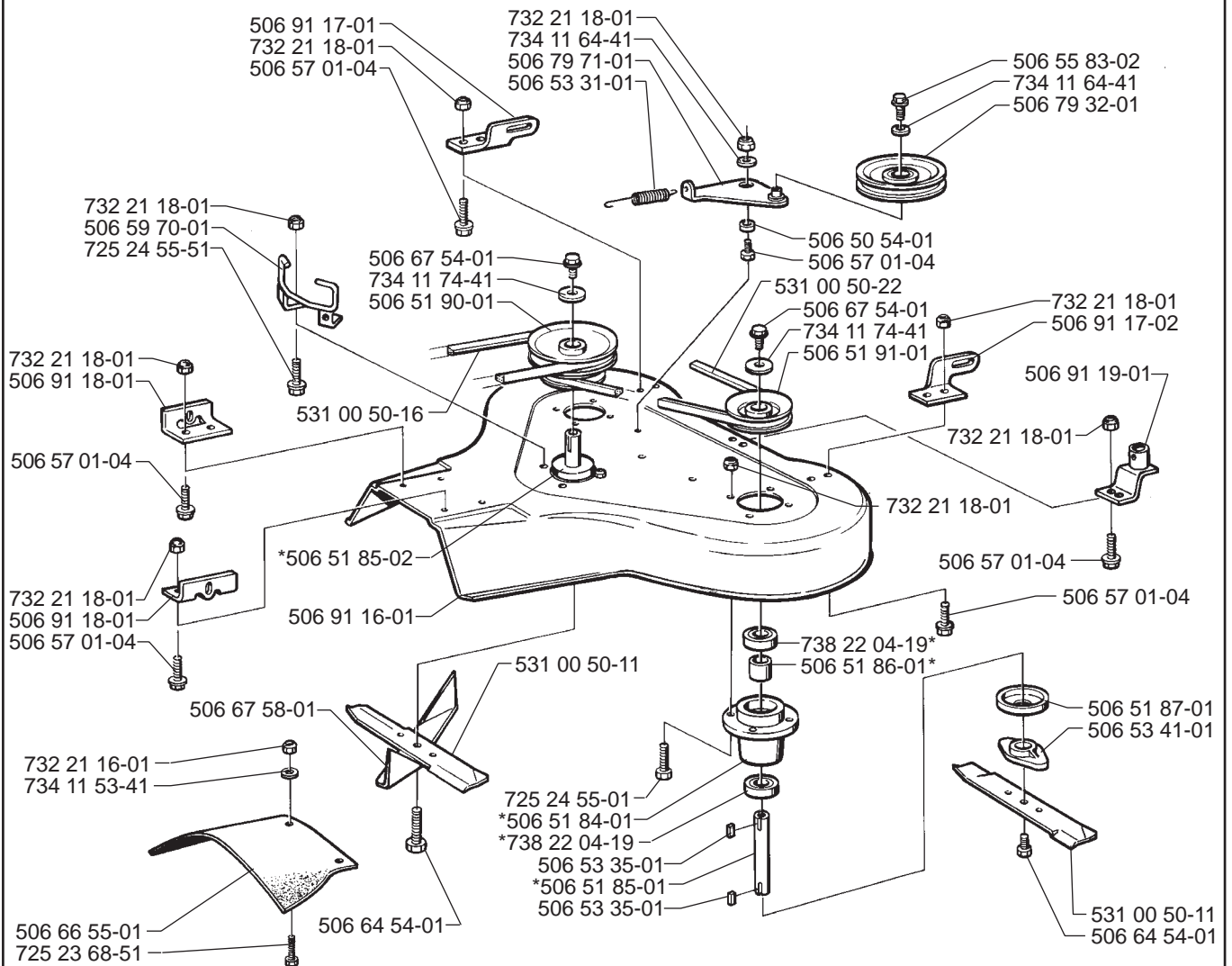
# L



# M

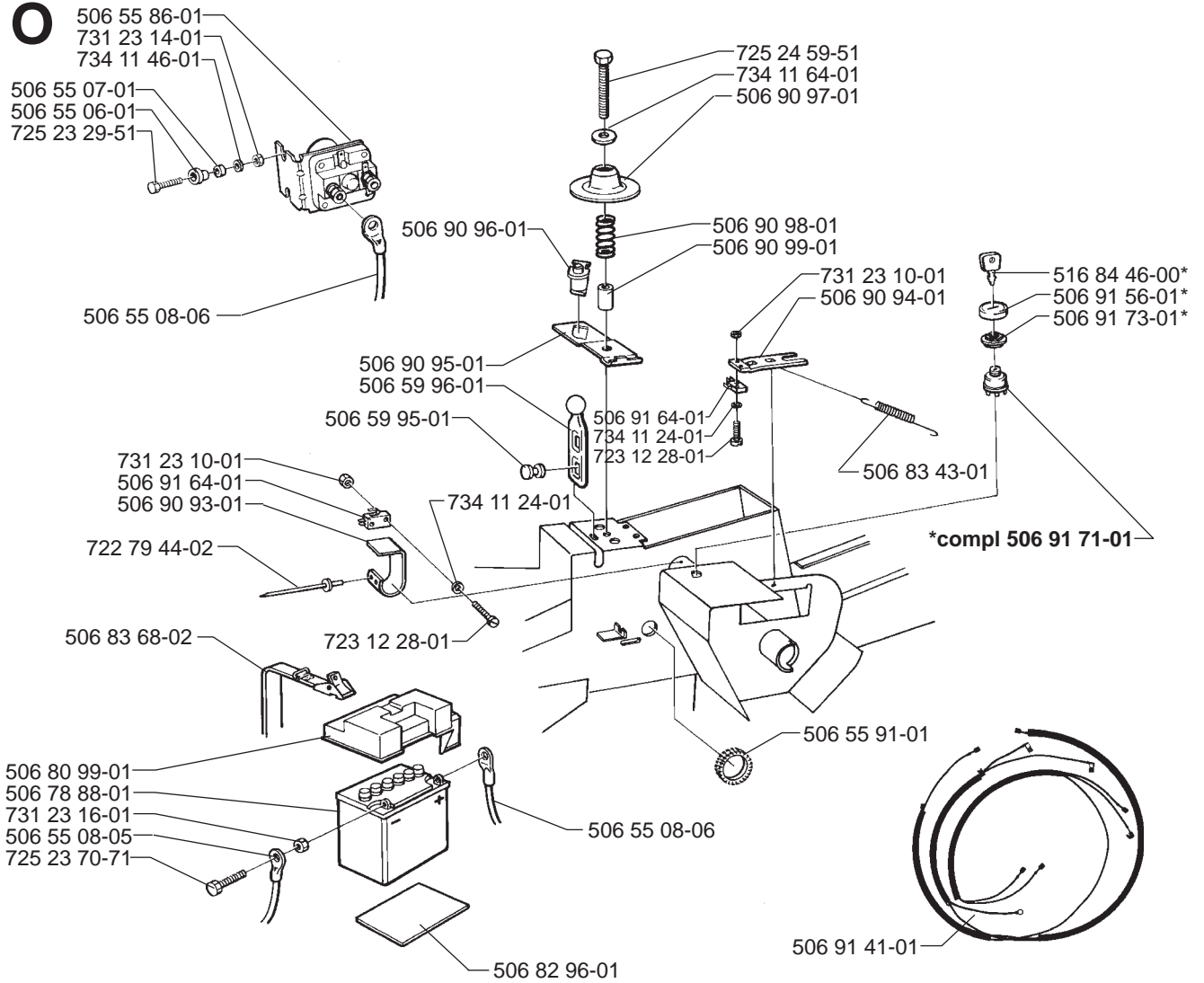
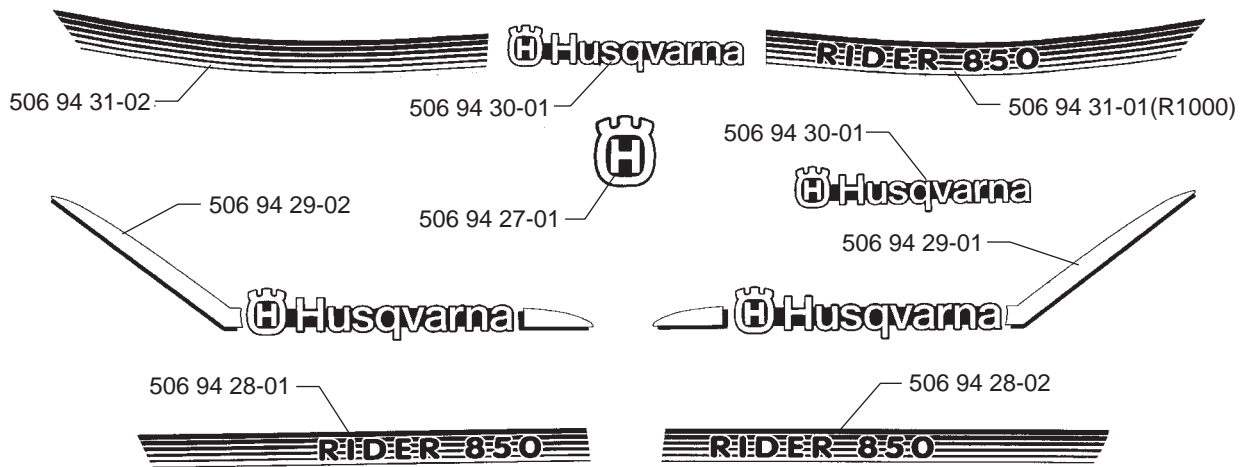


# N

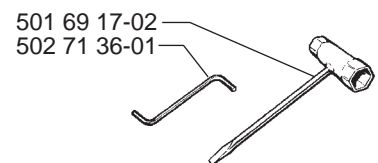


\*compl 506 53 34-01 Yttre. Outer. Exterior. Äusser. Ulko.  
 \*compl 506 53 34-02 Mitten. Centre. Centre. Zentrum. Keski.



**O****P****Q**

Leverans endast som reservdel  
Delivery as spare part only  
Nur als Ersatzteil lieferbar  
Livrabte seulement comme pièce de rechange  
Solo como repuesto  
Zasilà se jenom jako náhradni díl



MODEL NUMBER R850

PART NUMBER	SQUARE	NOTE	PART NUMBER	SQUARE	NOTE	PART NUMBER	SQUARE	NOTE	PART NUMBER	SQUARE	NOTE
501 69 17-02	Q		506 55 91-01	O		506 82 79-01	G		506 91 31-01	B	
501 91 89-02	C		506 55 97-01	BC		506 82 96-01	O		506 91 31-02	B	
502 71 36-01	Q		506 56 25-01	J		506 83 17-01	JL		506 91 32-02	B	
506 50 07-01	F		506 56 38-01	H		506 83 18-01	JL		506 91 32-03	B	
506 50 08-01	F		506 56 53-01	A		506 83 23-01	L		506 91 34-01	B	
506 50 34-01	D		506 56 55-01	A		506 83 23-02	J		506 91 35-02	B	
506 50 46-01	D		506 56 65-01	J		506 83 43-01	KO		506 91 35-03	B	
506 50 48-01	D		506 56 93-01	BC		506 83 56-01	L		506 91 36-01	B	
506 50 48-03	D		506 57 01-03	E		506 83 57-01	L		506 91 36-02	B	
506 50 48-05	DL		506 57 01-04	IN		506 83 68-02	O		506 91 37-01	E	
506 50 54-01	N		506 57 20-01	D		506 83 80-02	C	N	506 91 38-01	E	
506 50 62-02	I		506 57 43-01	D		506 83 90-01	D		506 91 39-01	E	
506 50 65-01	I		506 57 45-01	I		506 83 94-01	BH		506 91 41-01	O	
506 50 82-01	J		506 57 51-01	H		506 86 34-01	F		506 91 42-01	B	
506 50 92-01	G		506 57 52-01	H		506 86 36-01	F		506 91 43-01	C	
506 50 93-01	H		506 57 55-01	Q		506 87 41-02	C		506 91 44-01	C	
506 50 94-01	H		506 57 56-01	Q		506 88 77-01	I		506 91 45-01	G	
506 50 99-01	A		506 57 61-01	H		506 88 99-01	H		506 91 47-01	G	
506 51 08-01	L		506 57 63-01	E		506 89 20-01	E		506 91 51-01	A	
506 51 57-01	M		506 57 64-01	EH		506 89 90-01	D		506 91 53-01	A	
506 51 84-01	N		506 58 52-01	E		506 90 26-01	E		506 91 56-01	O	
506 51 85-01	N		506 58 91-01	F		506 90 40-01	G		506 91 64-01	O	
506 51 85-02	N		506 59 20-01	F		506 90 44-01	H		506 91 68-01	K	
506 51 86-01	N		506 59 46-01	E		506 90 45-01	H		506 91 71-01	O	
506 51 87-01	N		506 59 50-01	H		506 90 47-01	K		506 91 73-01	O	
506 51 90-01	N		506 59 51-01	H		506 90 51-01	K		506 91 91-01	I	
506 51 91-01	N		506 59 62-01	D		506 90 52-01	K		506 92 30-01	D	
506 52 92-01	M		506 59 70-01	N		506 90 53-01	K		506 94 27-01	P	
506 53 31-01	N		506 59 74-01	BEHM		506 90 54-01	K		506 94 28-01	P	
506 53 34-01	N		506 59 75-01	E		506 90 56-01	K		506 94 28-02	P	
506 53 34-02	N		506 59 92-01	I		506 90 57-01	K		506 94 29-01	P	
506 53 35-01	N		506 59 93-01	I		506 90 58-01	K		506 94 29-02	P	
506 53 41-01	N		506 59 95-01	O		506 90 59-01	K		506 94 30-01	P	
506 53 56-02	I		506 59 96-01	O		506 90 60-01	E		506 94 31-01	P	
506 53 57-02	I		506 66 34-01	G		506 90 61-01	K		506 94 31-02	P	
506 53 85-01	E		506 66 45-01	E		506 90 62-01	K		506 94 50-01		
506 53 86-01	E		506 66 55-01	N		506 90 65-01	J		506 94 67-02	E	N
506 53 87-01	E		506 66 56-01	H		506 90 69-01	L		506 95 34-01	H	N
506 53 88-01	E		506 66 58-01	K		506 90 70-01	JL		506 95 55-01	H	N
506 53 89-01	E		506 66 84-01	G		506 90 71-01	JL		516 84 46-00	O	
506 53 94-01	F		506 66 85-01	G		506 90 73-01	J		531 00 50-11	N	
506 54 25-01	HI		506 66 88-01	A		506 90 74-01	H		531 00 50-13	E	
506 54 35-01	H		506 67 08-01	E		506 90 76-01	L		531 00 50-16	EN	
506 54 63-01	J		506 67 19-01	E		506 90 79-01	J		531 00 50-22	N	
506 54 64-01	J		506 67 33-01	E		506 90 80-01	L		721 42 12-26	JL	
506 54 66-02	J		506 67 45-01	H		506 90 82-01	L		721 42 56-01	K	
506 55 06-01	O		506 67 54-01	N		506 90 83-01	L		721 43 49-01	C	
506 55 07-01	O		506 67 57-01	F		506 90 85-01	H		721 61 52-01	IK	
506 55 08-05	O		506 67 58-01	N		506 90 87-01	G		721 61 83-01	EKM	
506 55 08-06	O		506 67 65-01	N		506 90 93-01	O		721 61 87-01	KL	
506 55 08-07	O		506 76 88-01	L		506 90 94-01	O		721 68 02-51	L	
506 55 36-01	B		506 76 96-01	E		506 90 95-01	O		721 68 03-51	K	
506 55 43-01	F		506 76 97-01	E		506 90 96-01	O		721 83 99-01	IK	
506 55 44-01	F		506 76 98-01	E		506 90 97-01	O		722 78 54-02	B	
506 55 46-01	F		506 77 06-01	I		506 90 98-01	O		722 79 44-02	BO	
506 55 46-05	K		506 77 33-01	H		506 90 99-01	O		723 12 28-01	O	
506 55 47-01	FK		506 77 34-01	H		506 91 02-01	M		723 23 66-31	B	
506 55 49-01	D		506 78 18-02	I		506 91 06-01	M		725 23 29-51	O	
506 55 49-02	D		506 78 39-01	K		506 91 07-01	M		725 23 31-51	J	
506 55 50-01	D		506 78 43-01	K		506 91 11-01	M		725 23 64-61	EJ	
506 55 51-01	D		506 78 88-01	O		506 91 12-01	M		725 23 66-51	H	
506 55 59-01	G		506 79 17-01	K		506 91 13-01	M		725 23 68-51	N	
506 55 60-02	E		506 79 32-01	N		506 91 14-01	M		725 23 70-51	E	
506 55 62-01	A		506 79 34-01	H		506 91 16-01	N		725 23 70-71	O	
506 55 63-01	AG		506 79 45-01	G		506 91 17-01	N		725 23 74-71	L	
506 55 65-01	K		506 79 71-01	N		506 91 17-02	N		725 24 49-51	E	
506 55 73-01	J		506 80 28-01	F		506 91 18-01	N		725 24 51-51	H	
506 55 78-01	H		506 80 74-02	C		506 91 19-01	N		725 24 53-51	L	
506 55 83-02	HN		506 80 99-01	O		506 91 30-01	B		725 24 55-01	N	
506 55 86-01	O		506 81 08-01	C		506 91 30-02	B		725 24 55-51	HN	

N=New part  
 Neues teil  
 Nouvelle piece  
 Nueva pieza  
 Ny detalj

MODEL NUMBER R850

PART NUMBER	SQUARE	NOTE	PART NUMBER	SQUARE	NOTE	PART NUMBER	SQUARE	NOTE	PART NUMBER	SQUARE	NOTE
725 24 57-51	GL										
725 24 59-51	HO										
725 24 61-51	I										
725 24 66-51	H										
725 24 69-51	H										
725 24 91-61	A										
725 24 93-71	H										
725 24 97-51	FK										
725 25 15-71	C										
725 25 42-51	K										
725 64 57-01	H										
728 74 55-05	F										
728 84 43-05	F										
729 44 08-01	K										
729 53 29-71	E										
729 54 14-01	E										
731 21 18-01	H										
731 23 10-01	O										
731 23 14-01	JO										
731 23 16-01	LO										
731 23 18-01	FGHLMQ										
731 23 20-51	EFK										
732 21 14-01	B										
732 21 16-01	EN										
732 21 18-01	BEILMN										
732 21 20-51	CF										
732 25 22-01	K										
734 11 24-01	O										
734 11 46-01	BO										
734 11 53-01	E										
734 11 53-41	N										
734 11 56-01	H										
734 11 64-01	EGILQO										
734 11 64-41	HN										
734 11 72-01	M										
734 11 74-41	A										
734 11 78-01	H	N									
734 48 80-01	J										
735 21 64-00	G										
735 31 09-20	I										
735 31 12-00	A										
735 31 14-20	F										
735 31 15-20	L										
735 31 18-00	FH										
735 31 18-20	K										
735 31 22-00	D										
735 31 26-00	HM										
735 31 38-10	H										
735 31 40-10	FH										
735 58 35-01	E										
738 21 04-04	H										
738 21 05-04	H										
738 21 10-04	H										
738 22 04-19	FN										
738 88 10-01	H										
738 88 70-02	H										
740 68 14-21	H										

N=New part  
 Neues teil  
 Nouvelle piece  
 Nueva pieza  
 Ny detalj