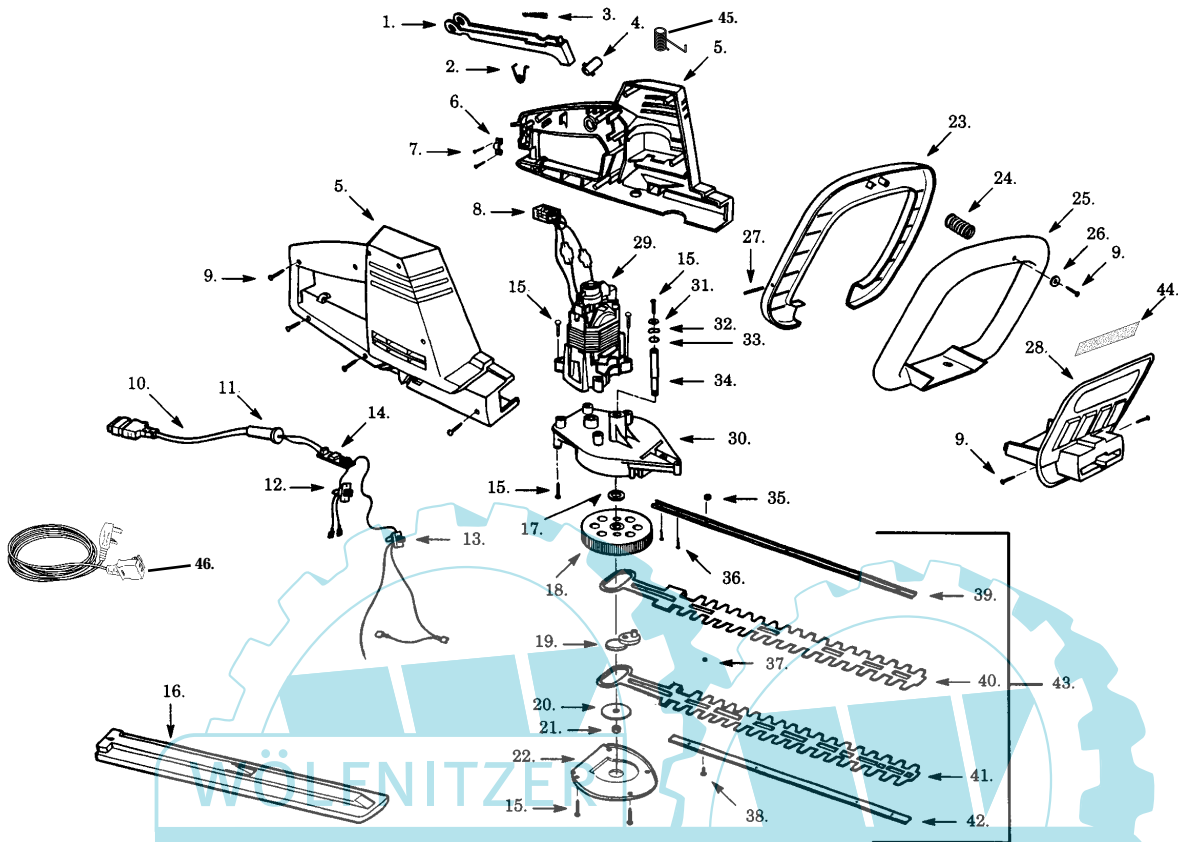


MODEL	HTE400
PRODUCT NO.	9527152-71

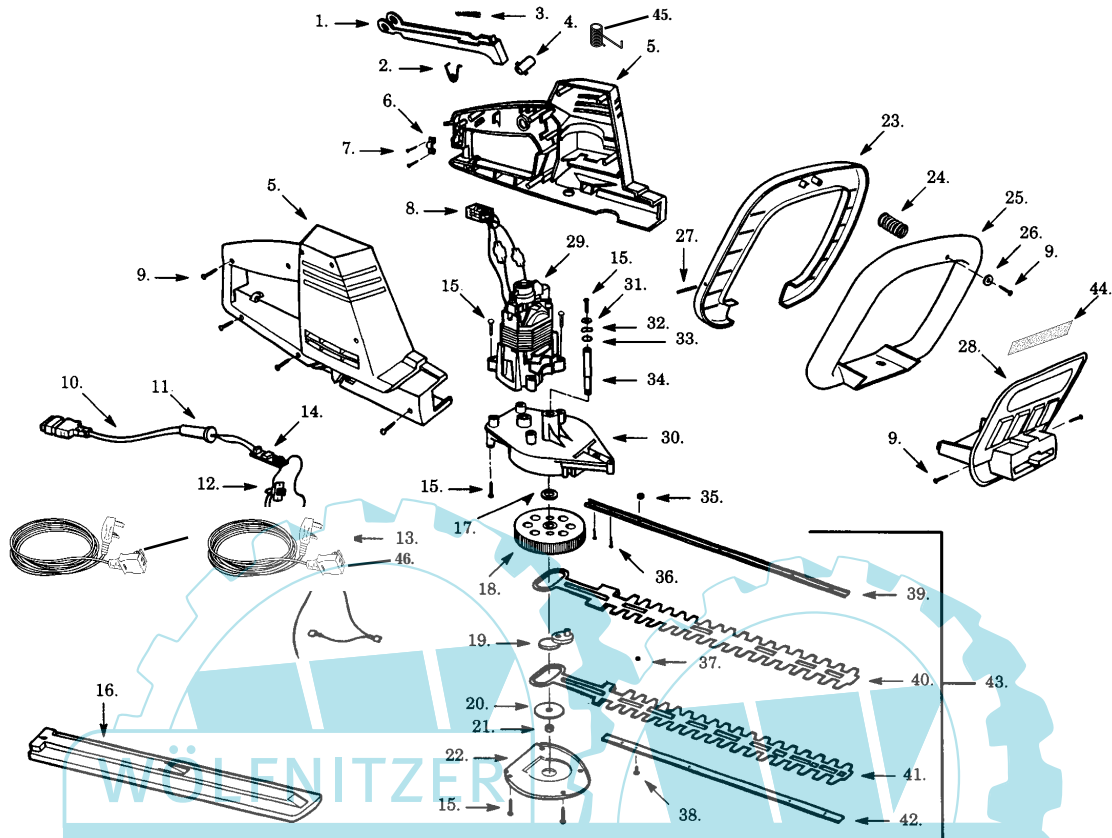


KEY PART NUMBER	DESCRIPTION	QTY	KEY PART NUMBER	DESCRIPTION	QTY
01	5304019-25/9	1	24	5304012-21/3	1
02	5304012-22/1	1	25	5304009-20/1	1
03	5304010-54/8	1	26	5348287-00/3	1
04	5304010-53/0	1	27	5304009-17/7	2
05	5304009-16/9	1	28	5304010-73/8	1
06	5300256-66/5	1	29	5304017-49/9	1
07	5348268-01/1	2	30	5304008-77/3	1
08	*****See Note Below*****		31	5349087-00/6	1
09	5303401-79/7	11	32	5304010-43/1	1
10	5304008-45/0	1	33	5304010-68/8	1
11	5304012-30/4	1	34	5304008-72/4	1
12	*****See Note Below*****		35	5304016-47/9	5
13	*****See Note Below*****		36	5300160-86/7	2
14	*****See Note Below*****		37	5304016-46/1	5
15	5300158-75/4	13	38	5304016-48/7	5
16	5304009-27/6	1	39	5304016-45/3	1
17	5304012-28/8	1	40	5304016-42/0	1
18	5304016-86/7	1	41	5304016-43/8	1
19	5304009-80/5	1	42	5304016-44/6	1
20	5304008-76/5	1	43	5304008-75/7	1
21	5304012-29/6	1	44	5304008-51/8	1
22	5304008-60/9	1	45	5149422-00/7	1
23	5304008-67/4	1	46	5127250-03/2	1

NOTE

Key numbers 08, 12, 13, & 14 are not available separately.
Use Part Number 5195209-00/1 - Harness, Complete.

MODEL	HTE500
PRODUCT NO.	9527152-72



KEY	PART NUMBER	DESCRIPTION	QTY	KEY	PART NUMBER	DESCRIPTION	QTY
01	5304019-25/9	ACTUATING LEVER	1	24	5304012-21/3	SPRING	1
02	5304012-22/1	SPRING CLIP	1	25	5304009-20/1	HANDLE ASSY	1
03	5304010-54/8	SPRING TRIGGER LOCK	1	26	5348287-00/3	WASHER	1
04	5304010-53/0	BUTTON, TRIGGER LOCK	1	27	5304009-17/7	PIN, SHAFT	2
05	5304009-16/9	HOUSING, MOTOR (PAIR)	1	28	5304010-73/8	HAND GUARD	1
06	5300256-66/5	CLAMP, CABLE	1	29	5304017-49/9	MOTOR ASSY	1
07	5348268-01/1	SCREW	2	30	5304008-77/3	GEAR BOX ASSY	1
08	*****See Note Below Left*****			31	5349087-00/6	WASHER	1
09	5303401-79/7	SCREW	11	32	5304010-43/1	WASHER, WAVE	1
10	5304008-45/0	CABLE C/W PLUG, UK	1	33	5304010-68/8	WASHER, THRUST	1
11	5304012-30/4	CABLE GUIDE	1	34	5304008-72/4	SHAFT	1
12	*****See Note Below Left*****			35	5304016-47/9	LOCKNUT	5
13	*****See Note Below Left*****			36	5300160-86/7	SCREW	2
14	*****See Note Below Left*****			37	5304016-46/1	SPACER	5
15	5300158-75/4	SCREW	13	38	5304016-48/7	SCREW	5
16	5304009-27/6	GUARD, BLADE	1	39	5304016-51/1	BLADE CHANNEL, 20"	1
17	5304012-28/8	WASHER	1	40	5304016-49/5	UPPER BLADE, 20"	1
18	5304016-86/7	GEAR	1	41	5304016-50/3	LOWER BLADE, 20"	1
19	5304009-80/5	DRIVE CAM	1	42	5304016-52/9	BLADE STRAP, 20"	1
20	5304008-76/5	WASHER	1	43	5304009-65/6	BLADE ASSY, 20"	1
21	5304012-29/6	LOCKNUT	1	44	5304008-51/8	LABEL, WARNING	1
22	5304008-60/9	PLATE COVER	1	45	5149422-00/7	TORSION SPRING	1
23	5304008-67/4	HANDLE GRIP, COVER	1	46	5127250-03/2	MAINS LEAD	1

PRODUCT APPLICATION

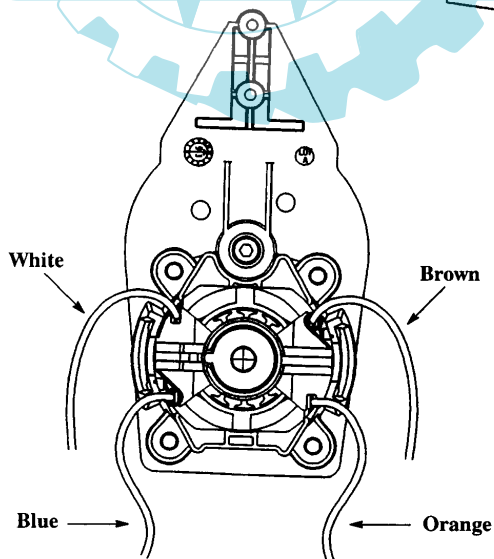
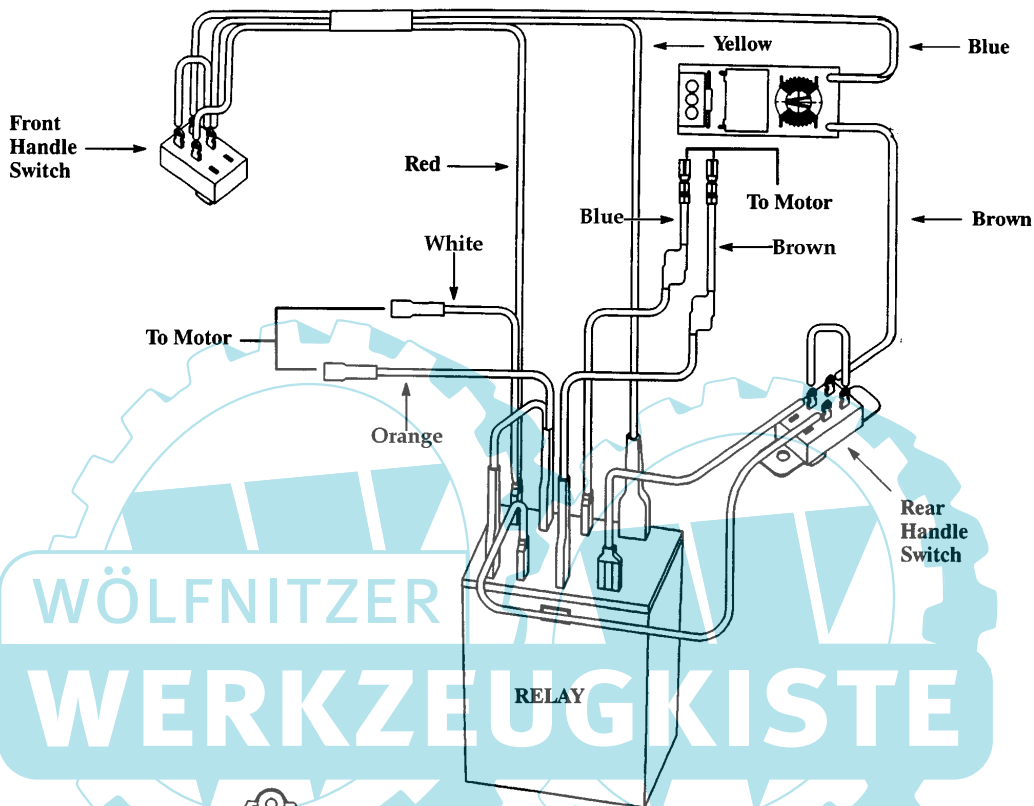
9527152-71 GB,EI: 9527152-72 GB,EI:

WHERE NO APPLICATION DETAILS ARE SHOWN, PART APPLIES TO ALL COUNTRIES

A Austria; AUS Australia; B Belgium; CND Canada; CH Switzerland; D Germany; DK Denmark; E Spain; EI Eire; F France; GB Great Britain; I Italy; N Norway; NL Netherlands; NZ New Zealand; O/S Overseas; P Portugal; S Sweden; SF Finland; USA America; ZA South Africa

MODEL	HTE500
PRODUCT NO.	9527152-72

WIRING DETAILS



ENSURE THE MOTOR WIRES ARE FITTED AS SHOWN