

Stand 07.02.2002

ERSATZTEILLISTE

ECHO Motorsense SRM-4605

ECHO-Motorgeräte
Vertrieb Deutschland GmbH
Otto-Schott-Str. 7

72555 Metzingen

Telefon 07123-1091
Telefax 07123-2589
<http://www.echo-shop.de>
email: info@echo-shop.de

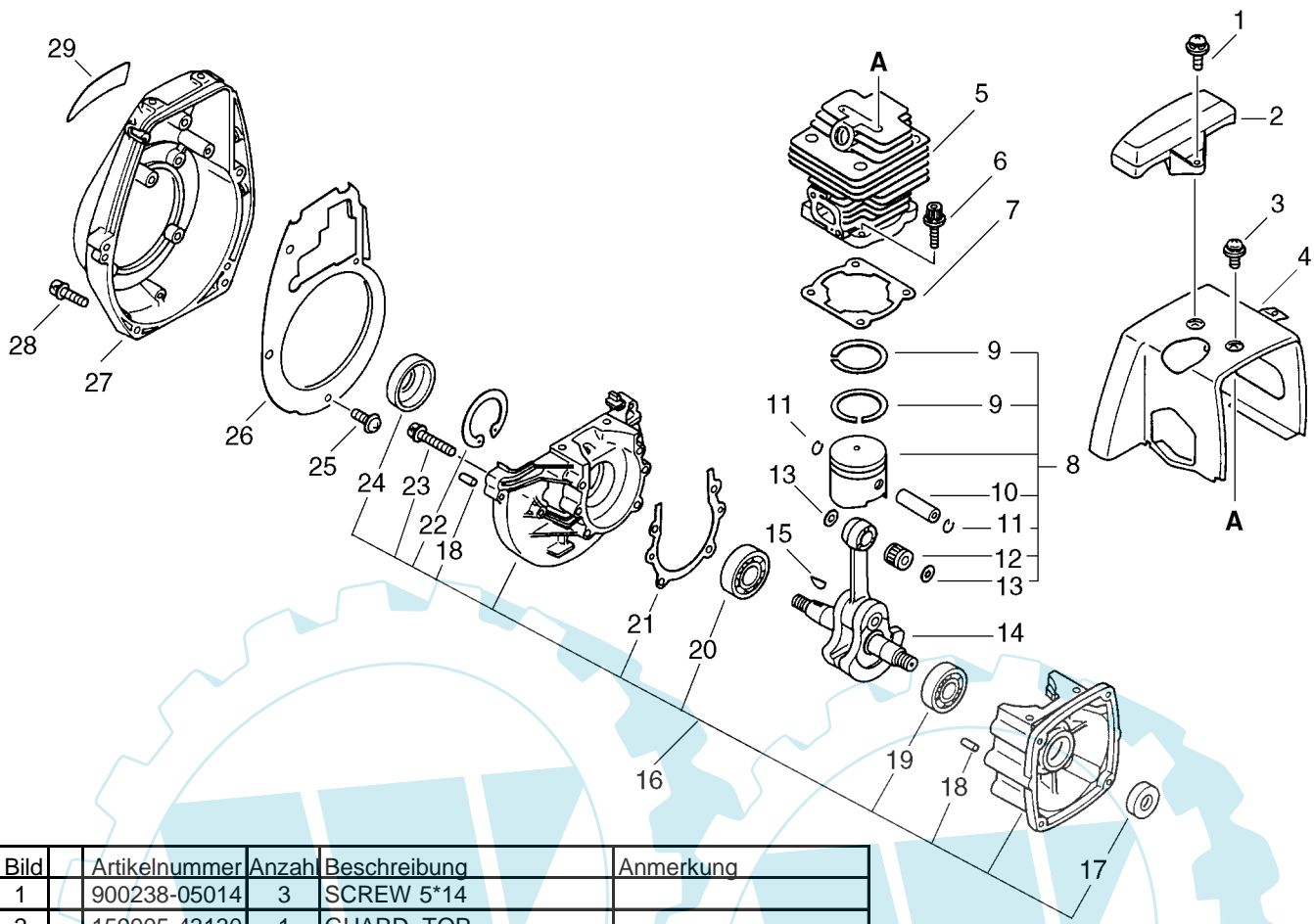


Bild	Artikelnummer	Anzahl	Beschreibung	Anmerkung
1	900238-05014	3	SCREW 5*14	
2	159905-43130	1	GUARD, TOP	
3	900238-05010	1	SCREW 5*10	
4	101514-42230	1	COVER, CYLINDER (BS)	
5	101011-47530	1	CYLINDER	
6	900162-05020	4	BOLT, H.S. 5*20	
7	101010-42231	1	GASKET, CYL. BASE	
8	100000-43230	1	PISTON KIT	Sus. by 100000-43231
8	100000-43231	1	PISTON KIT	
9	+ 100011-43230	2	RING, PISTON	
10	+ 100013-00410	1	PIN, PISTON	
11	+ 100015-00120	2	CIRCLIP, PISTON PIN	
12	+ 100012-27930	1	BEARING, NEEDLE	Sus. by 100012-12331
12	+ 100012-12331	1	BEARING, NEEDLE	
13	+ 100014-17330	2	SPACER, PISTON PIN	Sus. by V307-000050
13	+ V307-000050	2	WASHER, CIRCULAR 10	
14	100100-43130	1	CRANKSHAFT ASY	
15	100142-12330	1	KEY, WOODRUFF	
16	100204-42230	1	CRANKCASE KIT	
17	+ 100212-27930	1	OILSEAL	
18	+ 100215-02830	4	PIN, DOWEL	
19	+ 900810-36201	1	BEARING, BALL 6201	Sus. by 94035-36201
19	+ 94035-36201	1	BEARING, BALL	
20	+ 900810-36202	1	BEARING, BALL 6202	
21	+ 100242-42230	1	GASKET, CRANKCASE	
22	+ 900702-00035	1	CIRCLIP 35	
23	+ 900162-05030	4	BOLT, H.S. 5*30	
24	+ 100213-02830	1	OILSEAL	
25	900238-04010	4	SCREW 4*10	
26	101534-42230	1	PLATE, GUIDE	
27	101511-42230	1	COVER, FAN (BS)	
28	900162-05025	4	BOLT, H.S. 5*25	
29	890611-53230	1	LABEL, MODEL	

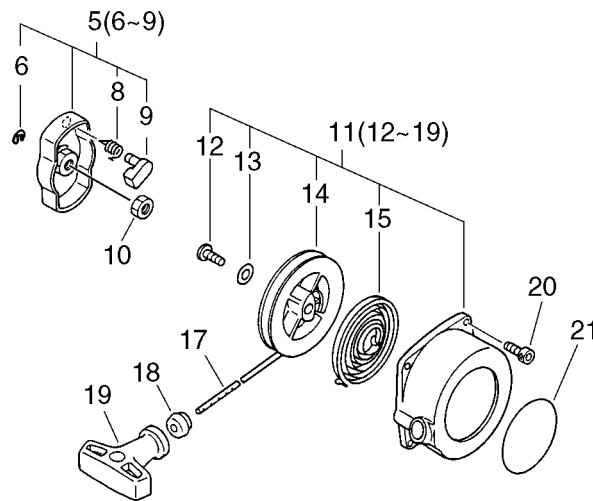


Bild	Artikelnummer	Anzahl	Beschreibung	Anmerkung
5	177202-41030	1	PAWL ASY, STARTER	
6	+ 900700-00004	1	E-RING 4	
8	+ 177234-40630	1	SPRING, RETURN	
9	+ 177218-40630	1	PAWL, STARTER	
10	900502-00008	1	NUT 8 (3N)	
11	177200-43130	1	STARTER ASY (BS)	Sus. by A051-000170
11	A051-000170	1	STARTER, RECOIL	
12	+ 177236-40630	1	SCREW	
13	+ 177214-41030	1	WASHER	
14	+ 177215-43130	1	DRUM, STARTER	
15	+ 177220-40630	1	SPRING, REWIND	
17	+ 177226-01110	1	ROPE, STARTER	
18	+ 177227-05530	1	GUIDE, ROPE	Sus. by 177227-42030
18	+ 177227-42030	1	GUIDE, ROPE	
19	+ 177228-11120	1	GRIP, STARTER	
20	900162-04020	4	BOLT, H.S. 4*20	
21	890118-49330	1	LABEL, ECHO	

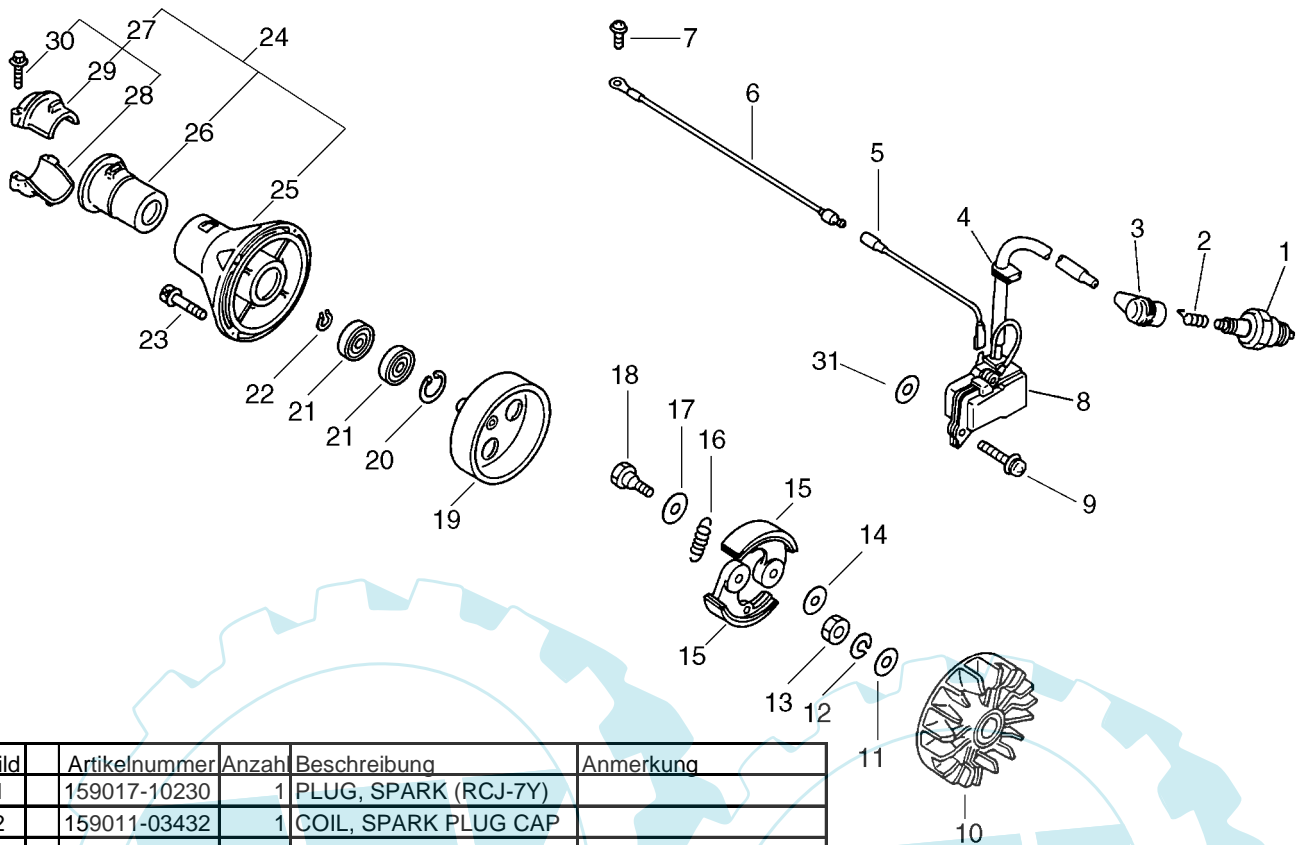


Bild	Artikelnummer	Anzahl	Beschreibung	Anmerkung
1	159017-10230	1	PLUG, SPARK (RCJ-7Y)	
2	159011-03432	1	COIL, SPARK PLUG CAP	
3	159012-03433	1	CAP, SPARK PLUG	
4	156112-40630	1	GROMMET	
5	162021-42230	1	LEAD	
6	156635-43130	1	LEAD, GROUND	
7	900238-05010	1	SCREW 5*10	
8	156626-42230	1	COIL, IGNITION	Sus. by set of 156601-12920 and 900600-
8	156601-12920	1	COIL, IGNITION	
9	900238-05020	2	SCREW 5*20	
10	156801-42230	1	FLYWHEEL	
11	900600-00010	1	WASHER 10	
12	900605-00010	1	WASHER, SPRING 10	
13	900503-00010	1	NUT 10 (3N *1.25)	
14	175049-03920	2	WASHER	
15	175009-42231	2	SHOE, CLUTCH	
16	175018-42230	1	SPRING, CLUTCH	
17	175048-03920	2	WASHER	
18	175046-06230	2	BOLT, CLUTCH	
19	175005-43130	1	DRUM, CLUTCH	
20	900702-00028	1	CIRCLIP 28	
21	900807-06001	2	BEARING, BALL 6001	
22	900701-00012	1	CIRCLIP 12	
23	900162-05020	4	BOLT, H.S. 5*20	
25	610910-40430	1	CUSHION	Sr/Nr 007350 and before
27	610903-40430	1	HOLDER KIT	Sr/Nr 007350 and before
30 +	900142-05025	2	BOLT, H.S. 5*25	Sr/Nr 007350 and before
25	610205-43130	1	FLANGE (BS)	Sus. by 610203-43130
24	610203-43130	1	FLANGE, ASY	
25 +	610205-43131	1	FLANGE (BS)	Sr/Nr 007351 and after
26 +	610910-55630	1	CUSHION	Sus. by 610910-51830
26 +	610910-51830	1	CUSHION	Sr/Nr 007351 and after
27 +	P021-000150	1	HOLDER KIT	Sr/Nr 007351 and after
28 ++	610922-55630	1	HOLDER, PIPE	Sr/Nr 007351 and after
29 ++	610922-43130	1	HOLDER, MAIN PIPE	Sr/Nr 007351 and after
30 ++	900162-05025	2	BOLT, 5*25	Sr/Nr 007351 and after
31	900600-00006	2	WASHER 6	

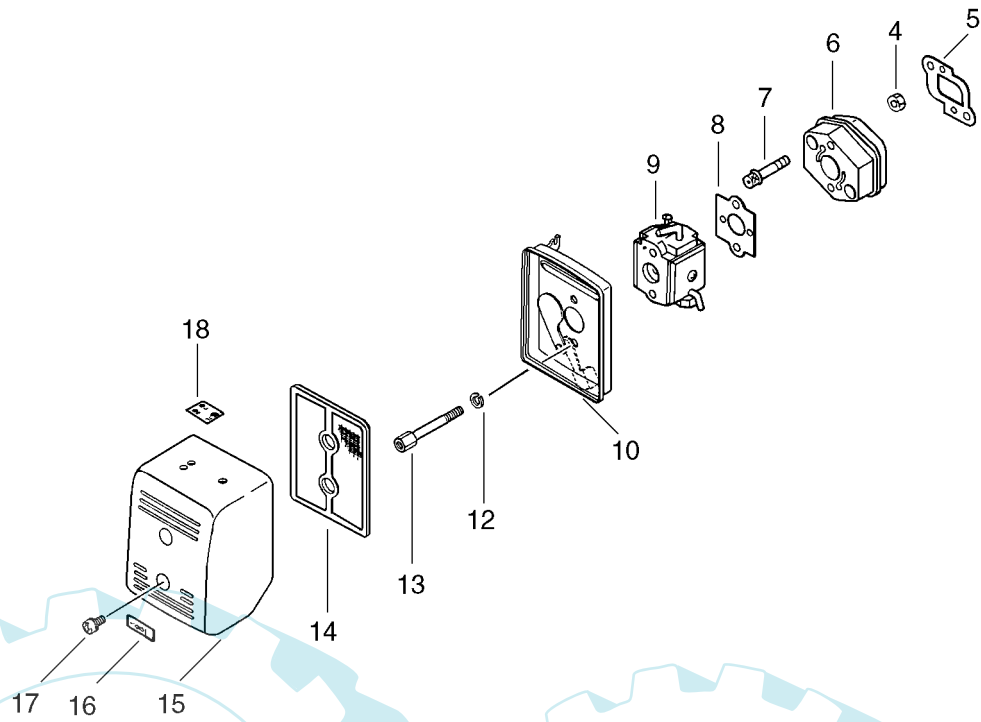


Bild	Artikelnummer	Anzahl	Beschreibung	Anmerkung
4	900500-00005	2	NUT 5	A-TYPE
5	130016-42231	1	GASKET, INTAKE	A-TYPE
6	130017-43130	1	INSULATOR	A-TYPE
7	900162-05025	2	BOLT, H.S. 5*25	A-TYPE
8	130016-06232	1	GASKET, INTAKE	A-TYPE
9	123000-47532	1	CARBURETOR ASSY	A-TYPE
10	130307-47532	1	CASE, AIR CLEANER	Sus. by 130307-47533
10	130307-47533	1	CASE, AIR CLEANER	A-TYPE
12	900605-00005	2	WASHER, SPRING 5	A-TYPE
13	130021-47530	2	BOLT, 5	Sus. by 130021-51530
13	130021-51530	2	BOLT, 5	A-TYPE
14	130310-06230	1	FILTER, AIR	A-TYPE
15	130313-06230	1	COVER, AIR CLEANER	A-TYPE
16	890121-21430	1	LABEL, CHOKE	A-TYPE
17	900238-04008	2	SCREW 4*8	A-TYPE
18	890169-47530	1	LABEL, ADJUSTING	A-TYPE

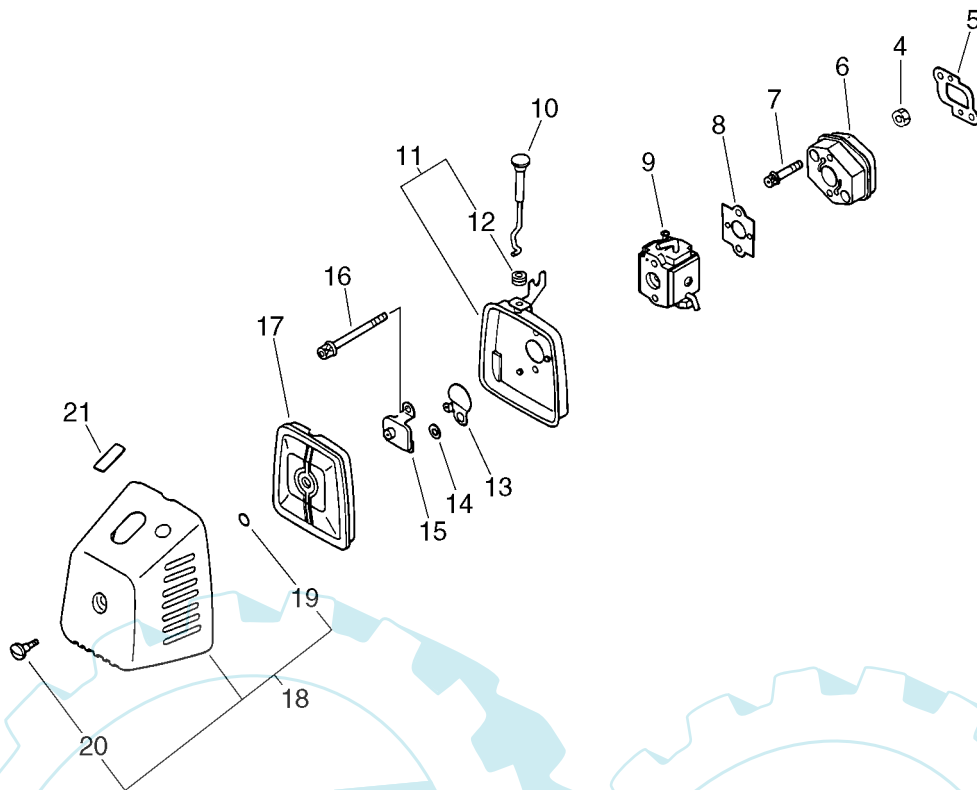


Bild	Artikelnummer	Anzahl	Beschreibung	Anmerkung
4	900500-00005	2	NUT 5	B-TYPE
5	130016-42231	1	GASKET, INTAKE	B-TYPE
6	130017-43130	1	INSULATOR	B-TYPE
7	900162-05025	2	BOLT, H.S. 5*25	B-TYPE
8	130016-06232	1	GASKET, INTAKE	B-TYPE
9	123000-47532	1	CARBURETOR ASY	B-TYPE
10	178510-47530	1	ROD, CHOKE	B-TYPE
11	130301-43130	1	CASE, AIR CLEANER	B-TYPE
12	+ 178810-05230	1	GROMMET	B-TYPE
13	178515-43130	1	SHUTTER, CHOKE	B-TYPE
14	178516-00830	2	SPACER	B-TYPE
15	129006-43130	1	PLATE	B-TYPE
16	900242-05057	2	SCREW 5*57	B-TYPE
17	130310-43130	1	FILTER, AIR	B-TYPE
18	130302-43132	1	COVER ASSY, AIR CLN.	B-TYPE
19	+ 900720-00004	1	O-RING (P-4)	B-TYPE
20	+ 130415-40630	1	SCREW	B-TYPE
21	890121-47530	1	LABEL, CHOKE	B-TYPE

Ersatzteilliste SRM-4605

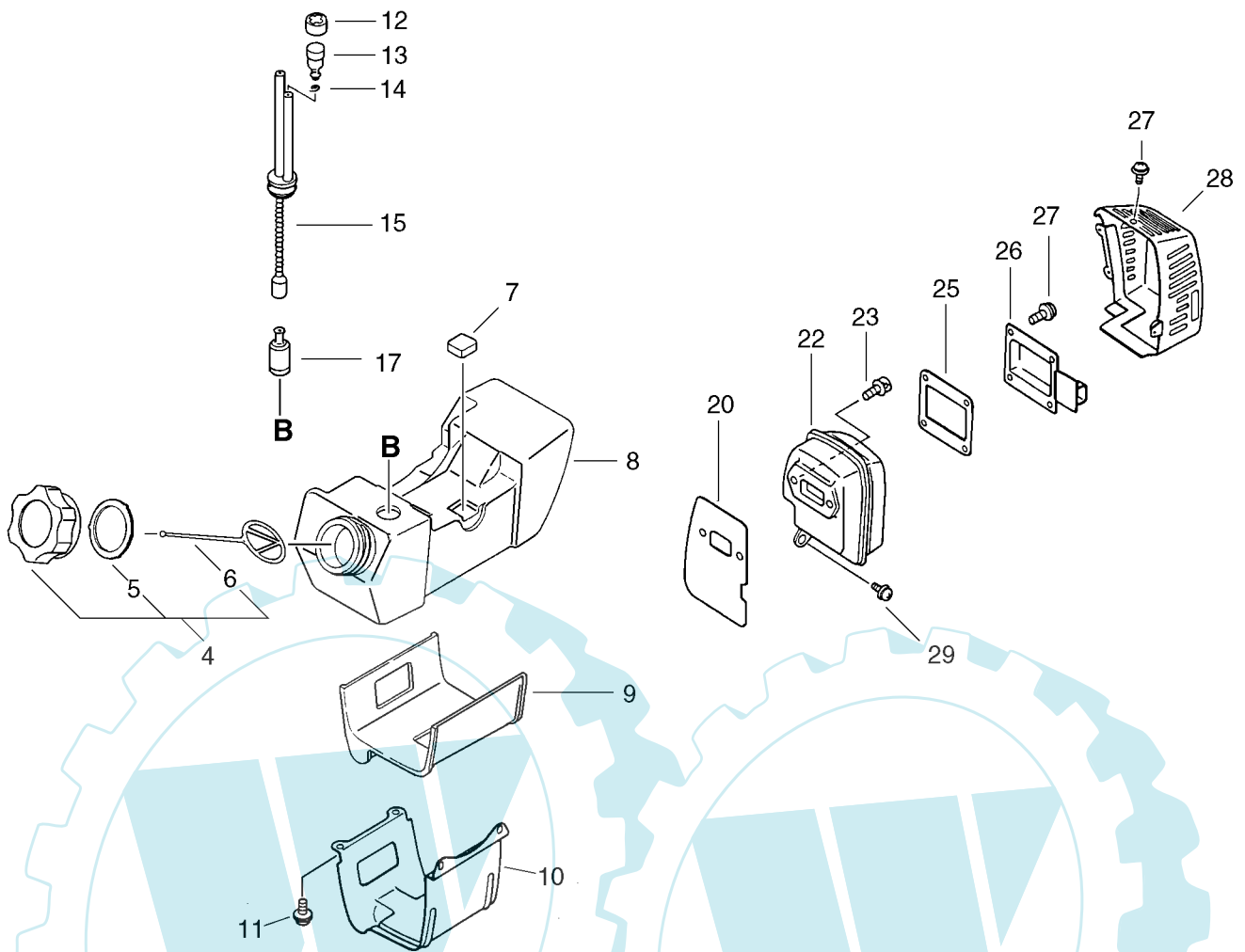


Bild	Artikelnummer	Anzahl	Beschreibung	Anmerkung
4	131004-55530	1	CAP ASY, FUEL TANK	
5	+ 131016-55830	1	GASKET, FUEL CAP	
6	+ 131051-56030	1	CLIP, FUEL CAP	
7	131923-11120	3	CUSHION	
8	131010-46930	1	TANK, FUEL	
9	131924-43130	1	CUSHION	
10	131910-43130	1	BRACKET, FUEL TANK (BL)	
11	900238-05014	2	SCREW 5*14	
12	131328-40630	1	COVER, VENT	
13	131300-56430	1	VALVE, CHECK	
14	132013-26630	1	CLIP	
15	132010-43130	1	PIPE, FUEL (INNER)	
17	131205-19830	1	STRAINER, FUEL	
20	145510-42231	1	GASKET, MUFFLER	
22	145610-47530	1	MUFFLER	
23	900162-05020	2	BOLT, H.S. 5*20	
25	145866-43131	1	GASKET, MUFFLER LID	
26	145867-47530	1	LID, MUFFLER	
27	900238-04010	7	SCREW 4*10	
28	145871-43130	1	COVER, MUFFLER	
29	900238-05014	1	SCREW 5*14	

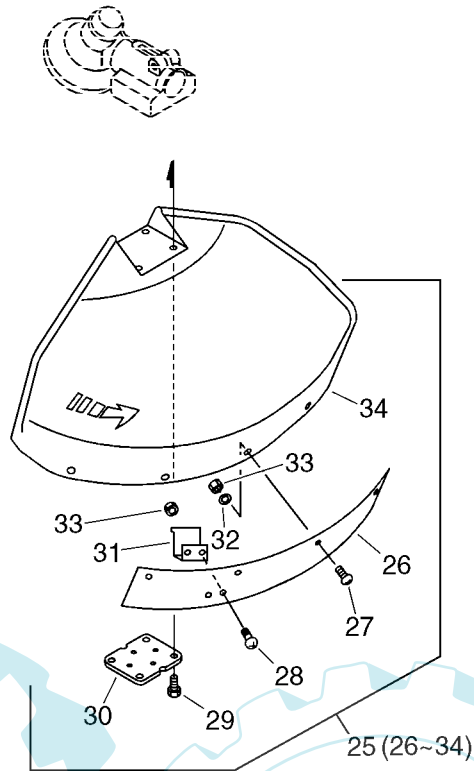


Bild	Artikelnummer	Anzahl	Beschreibung	Anmerkung
25	699000-52930	1	SHIELD ASY	Sus. by 699000-52931
25	699000-52931	1	SHIELD ASY	Drive Shaft Sr/Nr 049468 and before
26 +	699013-52130	1	PLATE, SHIELD	Drive Shaft Sr/Nr 049468 and before
27 +	900162-05018	4	BOLT, H.S. 5*18	Drive Shaft Sr/Nr 049468 and before
28 +	900162-05014	2	BOLT, H.S. 5*14	Drive Shaft Sr/Nr 049468 and before
29 +	900162-05025	4	BOLT, H.S. 5*25	
30 +	699013-56830	1	PLATE, SHIELD	
31 +	699016-52130	1	KNIFE, CORD	Sus. by 699016-54530
31 +	699016-54530	1	KNIFE, CORD	Drive Shaft Sr/Nr 049468 and before
32 +	900603-00005	4	WASHER 5	Drive Shaft Sr/Nr 049468 and before
33 +	900500-00005	6	NUT 5	Drive Shaft Sr/Nr 049468 and before
34 +	699010-52930	1	SHIELD, BLADE	Sus. by 699010-52931
34 +	699010-52931	1	SHIELD, BLADE	Drive Shaft Sr/Nr 049468 and before

Ersatzteilliste SRM-4605

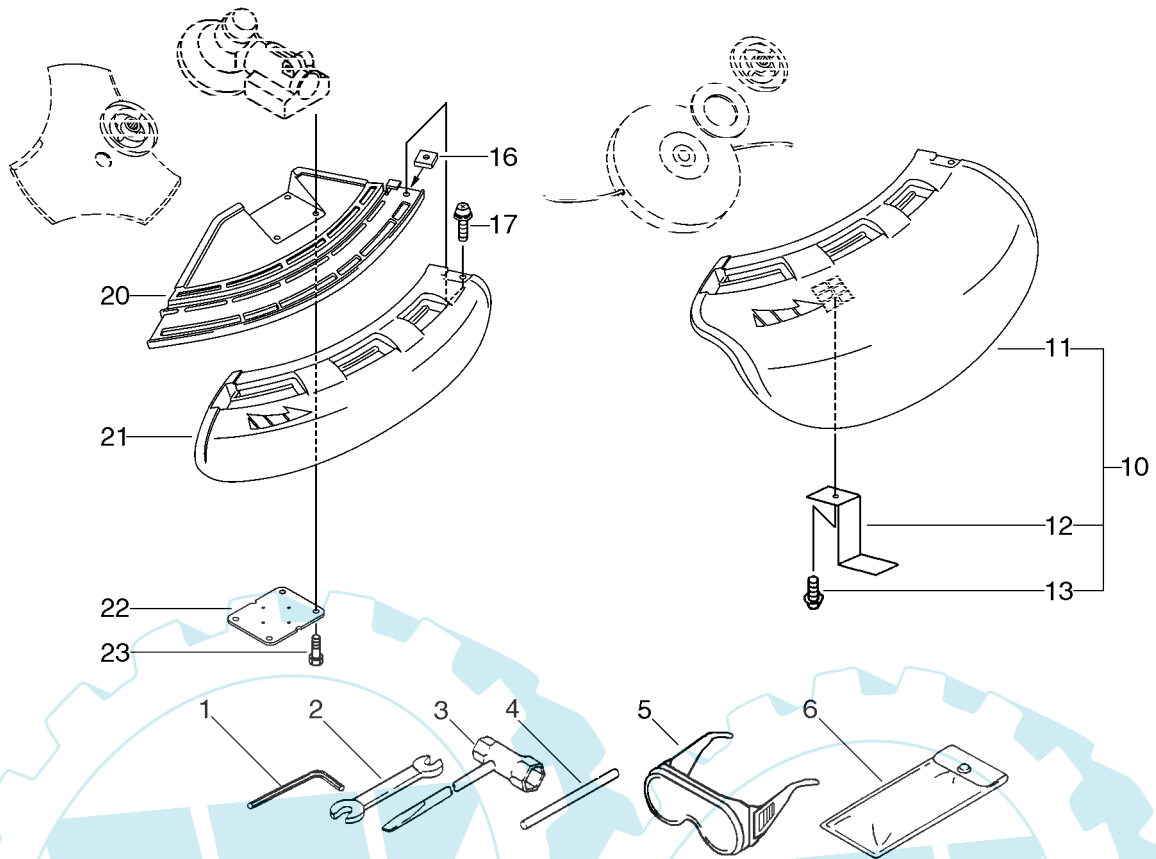


Bild	Artikelnummer	Anzahl	Beschreibung	Anmerkung
1	895610-00130	1	L-WRENCH (4MM)	
2	895112-00330	1	SPANNER 8*10	
3	895410-08030	1	WRENCH, W/S. DRIVER	
4	897518-01131	1	LOCKING TOOL	
5	899580-40930	1	GOGGLE	Sus. by 899580-68730
5	899580-68730	1	SAFETY GLASSES	
6	898510-39130	1	BAG, TOOL	
10	P021-002620	1	SHIELD, BLADE (W/KNIFE)	Drive Shaft Sr/Nr 049469 and after
11	+ C550-000080	1	SHIELD, BLADE	Drive Shaft Sr/Nr 049469 and after
12	+ C554-000000	1	KNIFE, CORD	Drive Shaft Sr/Nr 049469 and after
13	+ 900252-05012	1	SCREW 5*12	Drive Shaft Sr/Nr 049469 and after
16	900565-00005	1	NUT	Drive Shaft Sr/Nr 049469 and after
17	900242-05018	1	SCREW 5*18	Drive Shaft Sr/Nr 049469 and after
20	C550-000100	1	SHIELD, BLADE	Drive Shaft Sr/Nr 049469 and after
21	C550-000090	1	SHIELD, BLADE	Drive Shaft Sr/Nr 049469 and after
22	699013-56830	1	PLATE, SHIELD	
23	900162-05025	4	BOLT, H.S. 5*25	

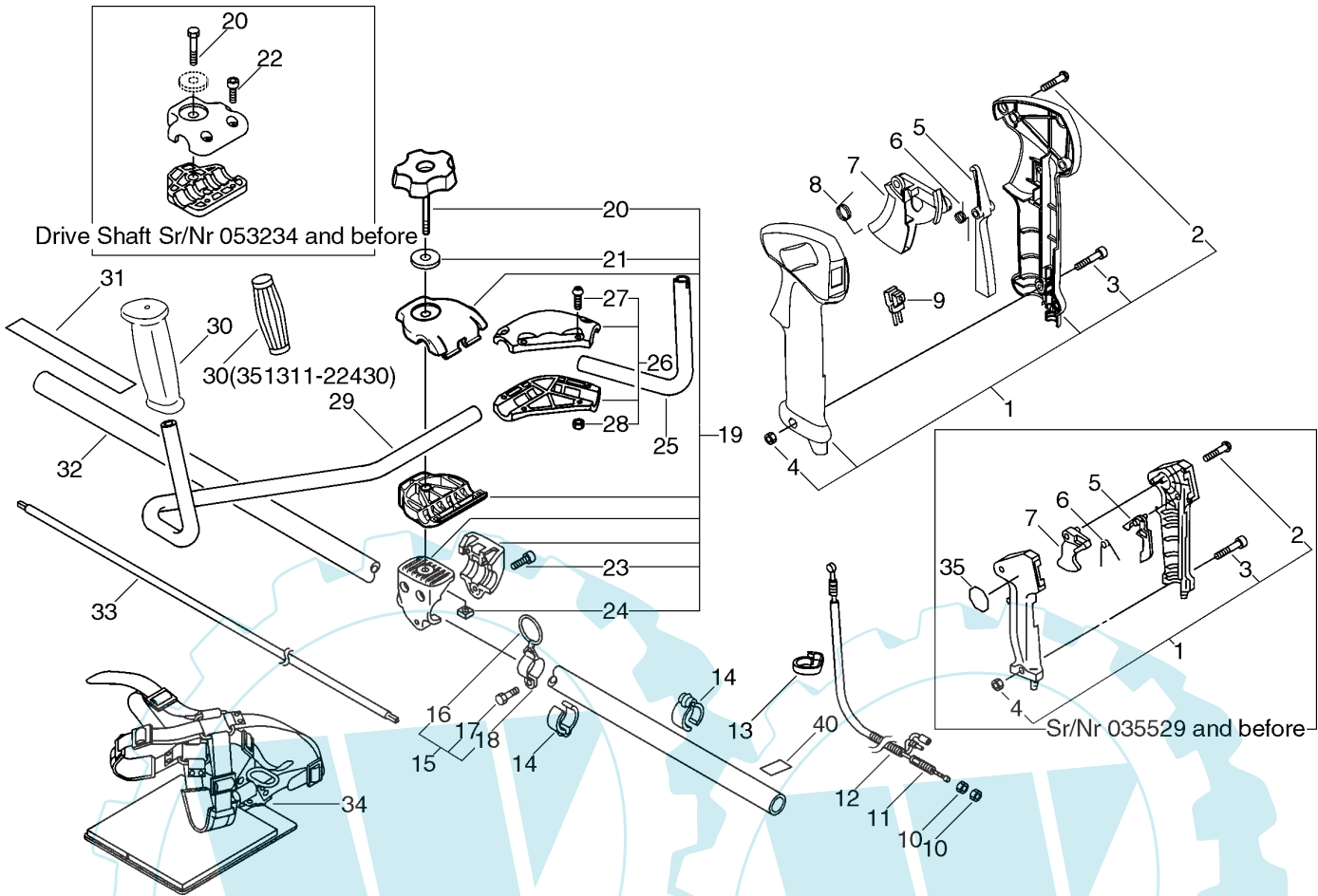
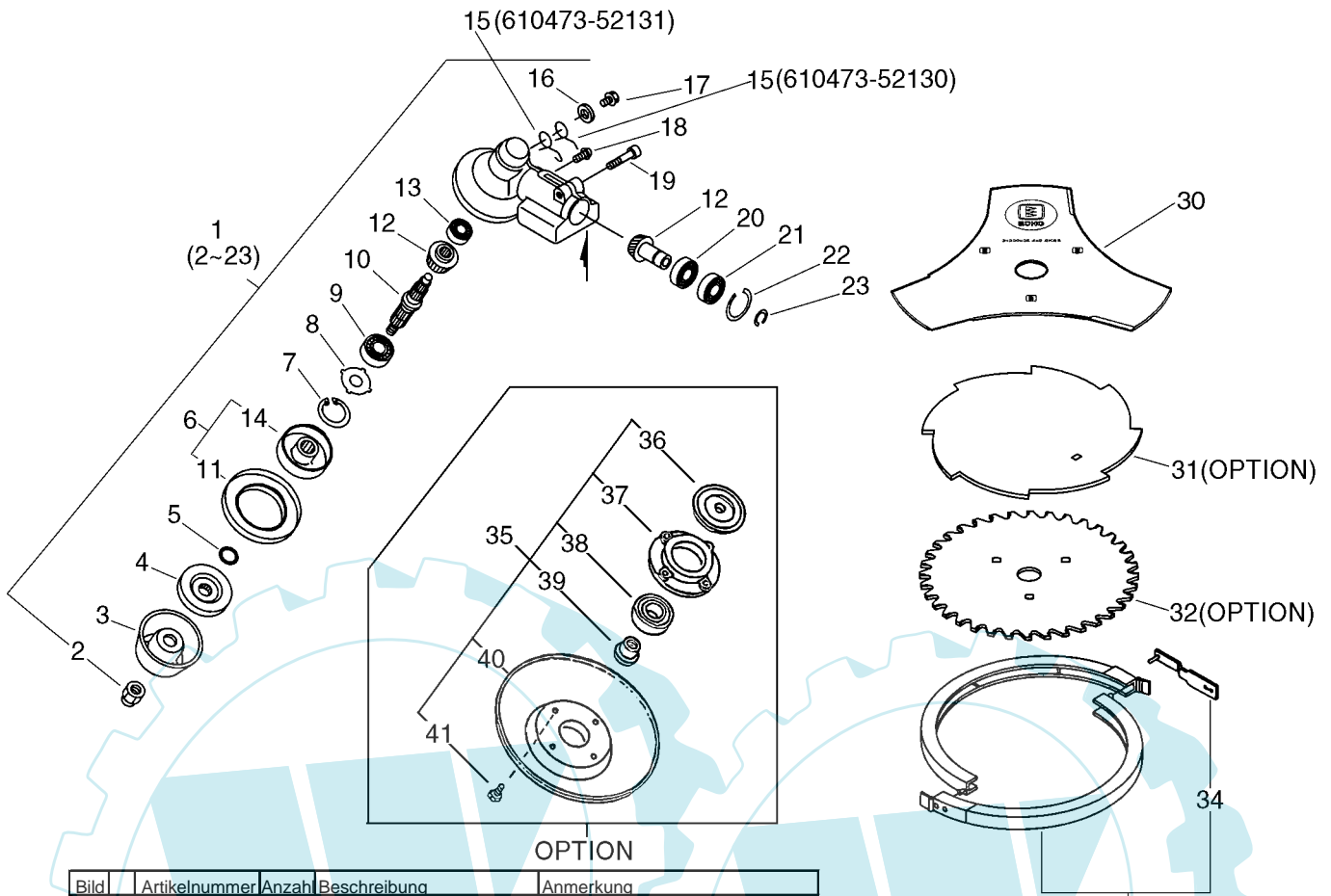


Bild	Artikelnummer	Anzahl	Beschreibung	Anmerkung	Bild	Artikelnummer	Anzahl	Beschreibung	Anmerkung
1	351102-47530	1	GRIP ASY, F-HANDLE	Sr/Nr 035529 and before	19	351301-52930	1	BRACKET ASY, HANDLE	Drive Shaft Sr/Nr 053234 and before
1	P021-002610	1	GRIP ASY, F-HANDLE	Sr/Nr 035530 and after	19	P021-002760	1	BRACKET ASY, HANDLE	Drive Shaft Sr/Nr 053235 and after
2 +	900246-03025	4	SCREW 3*25	Sr/Nr 035529 and before	20 +	351421-52130	1	BOLT	Drive Shaft Sr/Nr 053234 and before
2 +	900246-04016	3	SCREW 4*16	Sus. by 900253-04016	20 +	V299-000110	1	KNOB, FASTENER	Drive Shaft Sr/Nr 053235 and after
2 +	900253-04016	3	SCREW 4*16	Sr/Nr 035530 and after	21 +	605014-54230	1	WASHER	
3 +	900220-05030	1	SCREW 5*30		22 +	900162-05020	2	BOLT, H.S. 5*20	Drive Shaft Sr/Nr 053234 and before
4 +	900500-00005	1	NUT 5		23 +	900162-05030	3	BOLT, H.S. 5*30	
5	178012-05960	1	LOCKOUT, THROTTLE	Sr/Nr 035529 and before	24 +	900565-50008	1	NUT	
5	C460-000010	1	LOCKOUT, THROTTLE	Sr/Nr 035530 and after	25	351214-52930	1	HANDLE	Sus. by 351214-52931
6	178013-35631	1	SPRING, THR. LOCK	Sr/Nr 035529 and before	25	351214-52931	1	HANDLE	
6	V452-000050	1	SPRING, TORSION	Sr/Nr 035530 and after	26	351202-51430	1	BRACKET ASY, HANDLE	
7	178010-05960	1	CONTROL, THROTTLE	Sr/Nr 035529 and before	27 +	900162-05020	4	BOLT, H.S. 5*20	
7	C450-000020	1	TRIGGER, THROTTLE	Sr/Nr 035530 and after	28 +	900500-00005	4	NUT 5	
8	V452-000060	1	SPRING, TORSION	Sr/Nr 035530 and after	29	351010-52930	1	HANDLE, FRONT	Sus. by 351010-52931
9	163401-43130	1	SWITCH, IGNITION		29	351010-52931	1	HANDLE, FRONT	
10	900502-00006	2	NUT 6 (3N)		30	351311-22430	1	GRIP, HANDLE	Drive Shaft Sr/Nr 049468 and before
11	178001-43230	1	WIRE, THROTTLE	Sr/Nr 035529 and before	30	C403-000030	1	GRIP, HANDLE	Drive Shaft Sr/Nr 049469 and after
11	V430-000400	1	CABLE, BOWDEN	Sr/Nr 035530 and after	31	890617-46830	1	LABEL, CAUTION	Sus. by 890617-43130
12	178127-43230	1	TUBE		31	890617-43130	1	LABEL, CAUTION	
13	159112-09960	1	CLIP		32	610206-43130	1	HOUSING ASY, D.SHFT	
14	224924-52930	2	CLIP		33	610011-06230	1	SHAFT, DRIVE	
15	301200-05230	1	HOOK AS'Y		34	301001-56830	1	HARNES, SHOULDER	Sus. by 301001-56831
16 +	301015-05330	1	HOOK, BAND		34	301001-56831	1	HARNES ASY, SHOULDE	
17 +	900105-05012	1	BOLT, H.S. 5*12		35	890157-39130	1	LABEL, SWITCH	Sr/Nr 035529 and before
18 +	301210-04630	1	HOOK		40	890152-04930	1	LABEL, CAUTION	

Ersatzteilliste SRM-4605



OPTION

Bild	Artikelnummer	Anzahl	Beschreibung	Anmerkung
1	610400-56930	1	HOUSING ASY, GEAR	Sus. by 610400-56931
1	610400-56931	1	HOUSING ASY, GEAR	
2	+ 610320-52130	1	NUT 10	
3	+ 699229-56830	1	PLATE, COVER	
4	+ 610314-52130	1	PLATE, ADAPTER (L)	
5	+ 900720-00012	1	O-RING 12	
6	+ 610313-52930	1	PLATE, ADAPTER (U)	Sus. by C535-000000
6	+ C535-000000	1	FIXTURE, BRADE	
11	++ 610352-56830	1	PLATE, CUP	
14	++ C535-000010	1	FIXTURE, BRADE	
7	+ 900702-00032	1	CIRCLIP 32	
8	+ 610444-56830	1	WASHER	
9	+ 900812-06201	1	BEARING, BALL 6201	
10	+ 610310-56930	1	SHAFT, P.T.O.	
12	+ 610300-56930	1	GEAR SET	
13	+ 900810-00629	1	BEARING, BALL 629	
15	+ 610473-52130	1	SPRING, TORSION	Drive Shaft Sr/Nr 024886 and before
15	+ 610473-52131	1	SPRING, TORSION	Drive Shaft Sr/Nr 024887 and after
16	+ 900603-50008	1	WASHER	
17	+ 610434-50030	1	BOLT 8*6	Sus. by 610434-50031
17	+ 610434-50031	1	BOLT 8*8	
18	+ 900242-05010	1	SCREW 5*10	
19	+ 900162-06030	1	BOLT, H.S. 6*30	
20	+ 900800-06001	1	BEARING, BALL 6001	
21	+ 900807-06001	1	BEARING, BALL 6001	Drive Shaft Sr/Nr 024886 and before
21	+ 900803-06001	1	BEARING, BALL 6001	Drive Shaft Sr/Nr 024887 and after
22	+ 900702-00028	1	CIRCLIP 28	
23	+ 900701-00012	1	CIRCLIP 12	
30	X405-000000	1	SAW, BUSH CUTTER	
33	898503-50030	1	SCABBARD KIT, BLADE	
34	+ 898562-43230	1	FIXTURE, SCABBARD	
31	696001-55630	1	BLADE, 8-CUTTER 10IN	OPTION
32	695001-55630	1	SAW, CIRCULAR 10*80T	OPTION
35	699200-56830	1	CAP ASY, FREE	OPTION
36	+ 610313-56830	1	PLATE, ADAPTER (U)	OPTION
37	+ 699226-05430	1	HOLDER, BEARING	OPTION
38	+ 900814-06202	1	BEARING, BALL 6202	OPTION
39	+ 699227-04630	1	NUT	OPTION
40	+ 699228-08930	1	PLATE, COVER	OPTION
41	+ 900141-05012	4	BOLT 5*12	OPTION

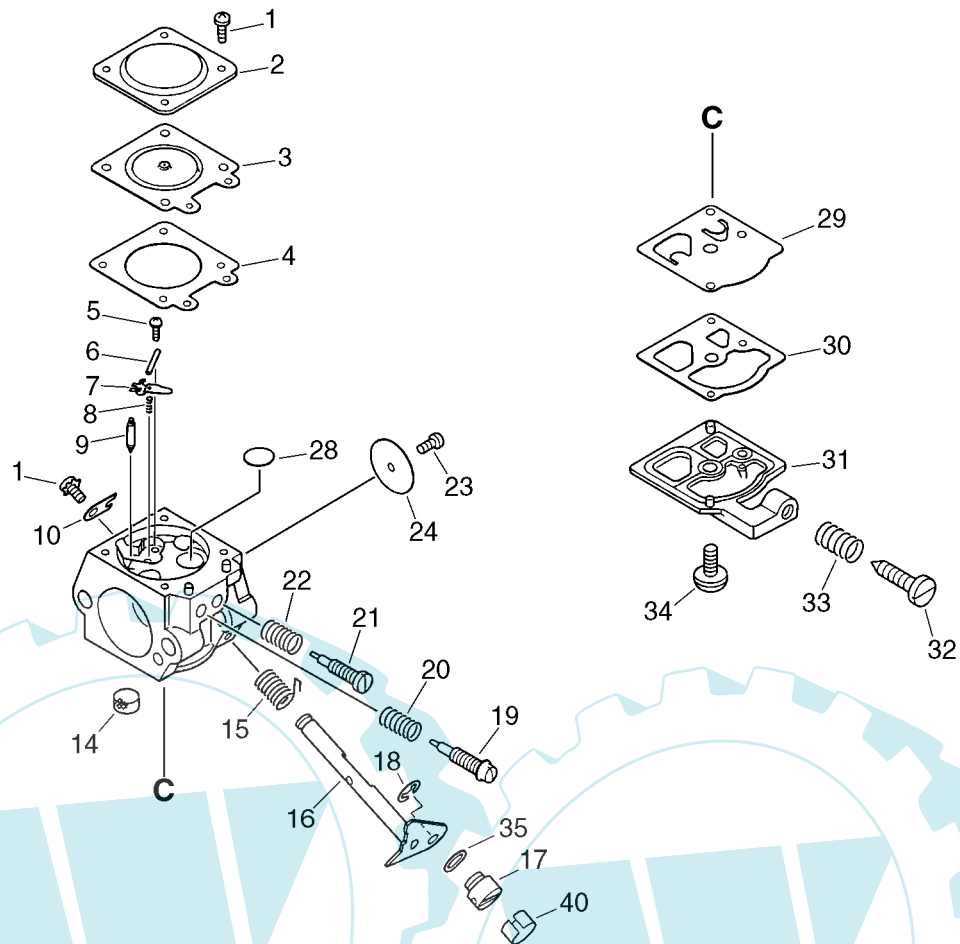
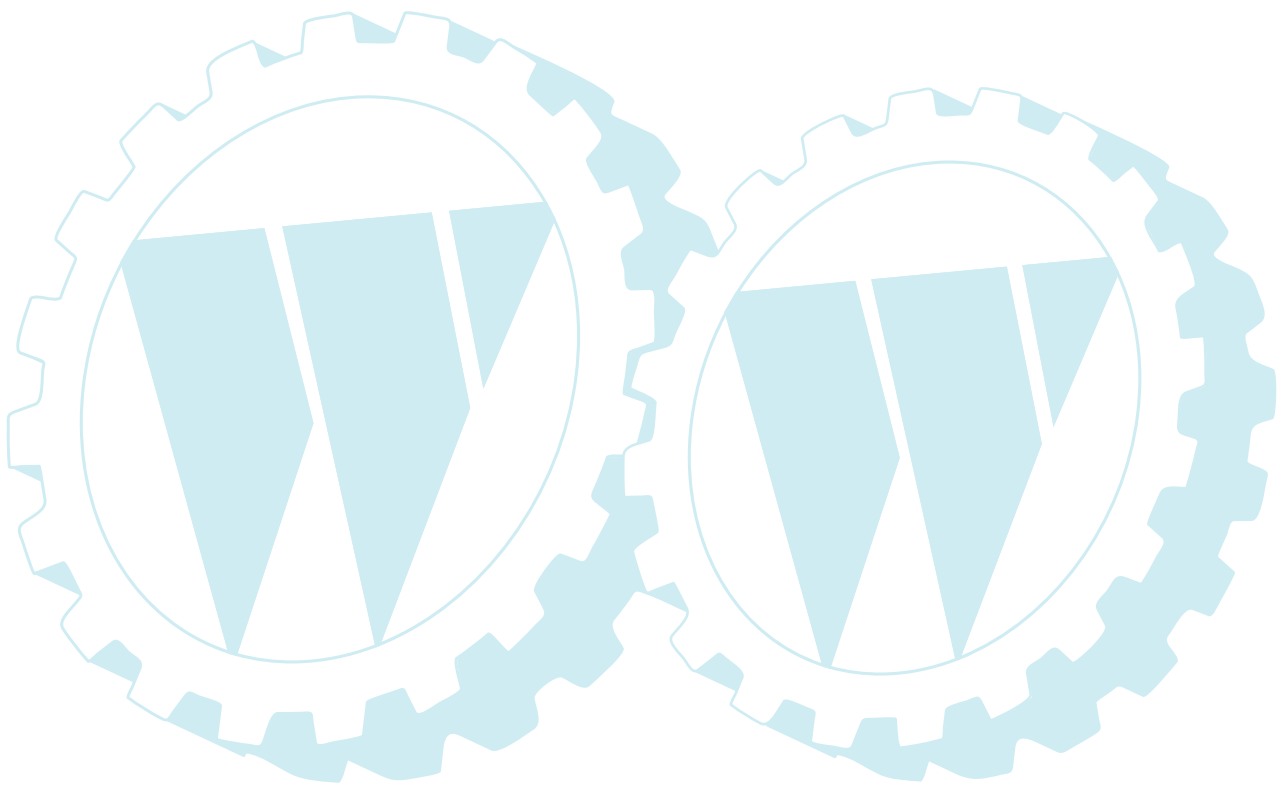
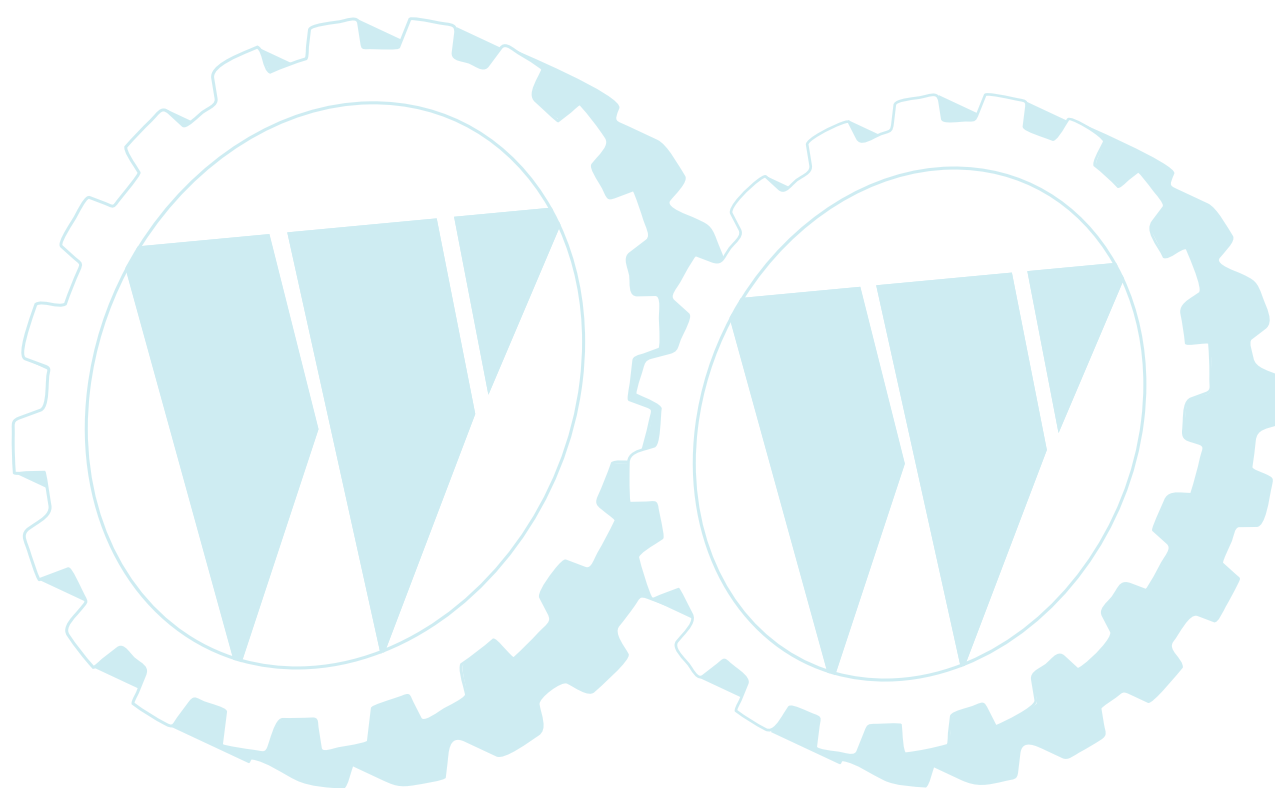
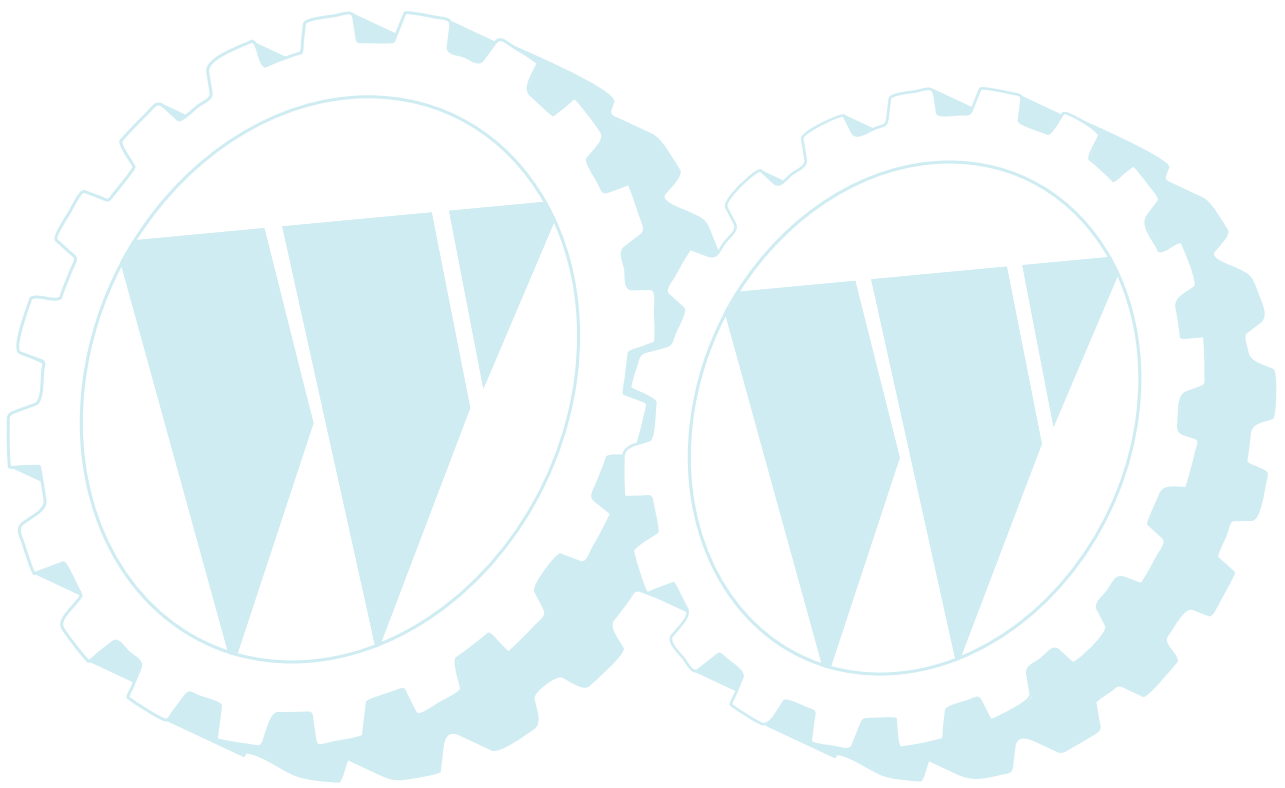


Bild	Artikelnummer	Anzahl	Beschreibung	Anmerkung
	123000-47532	1	CARBURETOR ASY	
1	+ 123130-02960	5	SCREW	
2	+ 123142-03930	1	COVER, M. DIAPHRAGM	
3	+ 123141-03930	1	DIAPHRAGM, METERING	
4	+ 123140-03930	1	GASKET, M. DIAPHRAGM	
5	+ 123139-03930	1	SCREW, M. LEVER PIN	
6	+ 123138-03930	1	PIN, METERING LEVER	
7	+ 123123-03930	1	LEVER, METERING	
8	+ 123122-47530	1	SPRING, METER. LEVER	
9	+ 123137-04260	1	VALVE, INLET NEEDLE	
10	+ 123127-03930	1	CLIP, THROTTLE SHAFT	
14	+ 123126-10631	1	SCREEN, INLET	
15	+ 123113-47530	1	SPRING, THR. RTN.	
16	+ 123117-05020	1	SHAFT, THROTTLE	
17	+ 123172-26030	1	SWIVEL	
18	+ 123173-07930	1	CLIP, THROTTLE SHAFT	
19	+ 123120-47530	1	NEEDLE, HIGH SPEED	
20	+ 123119-22130	1	SPRING, NEEDLE	
21	+ 123118-40430	1	NEEDLE, IDLE	
22	+ 123121-22130	1	SPRING, NEEDLE	
23	+ 123114-03930	1	SCREW	Sr/Nr 002610 and before
23	+ 123114-38830	1	SCREW	Sr/Nr 002611 and after
24	+ 123116-10530	1	VALVE, THROTTLE	
28	+ 123146-10631	1	PLUG, WELCH	
29	+ 123112-15030	1	DIAPHRAGM, FUEL PUMP	
30	+ 123125-15030	1	GASKET, FUEL PUMP	
31	+ 123124-24430	1	COVER, FUEL PUMP	
32	+ 123134-04260	1	SCREW, IDLE ADJUST	
33	+ 123133-06320	1	SPRING, IDLE ADJUST	
34	+ 123110-03930	1	SCREW, PUMP COVER	
35	+ 123149-26030	1	WASHER	
40	+ 101121-56430	1	SPRING, FLAT	







ECHO®

Motorgeräte

die geh'n ran

