

Stand 19.02.2002

ERSATZTEILLISTE

ECHO Motorsense SRM-4600

ECHO-Motorgeräte
Vertrieb Deutschland GmbH
Otto-Schott-Str. 7

72555 Metzingen

Telefon 07123-1091
Telefax 07123-2589
<http://www.echo-shop.de>
email: info@echo-shop.de



Ersatzteilliste SRM-4600

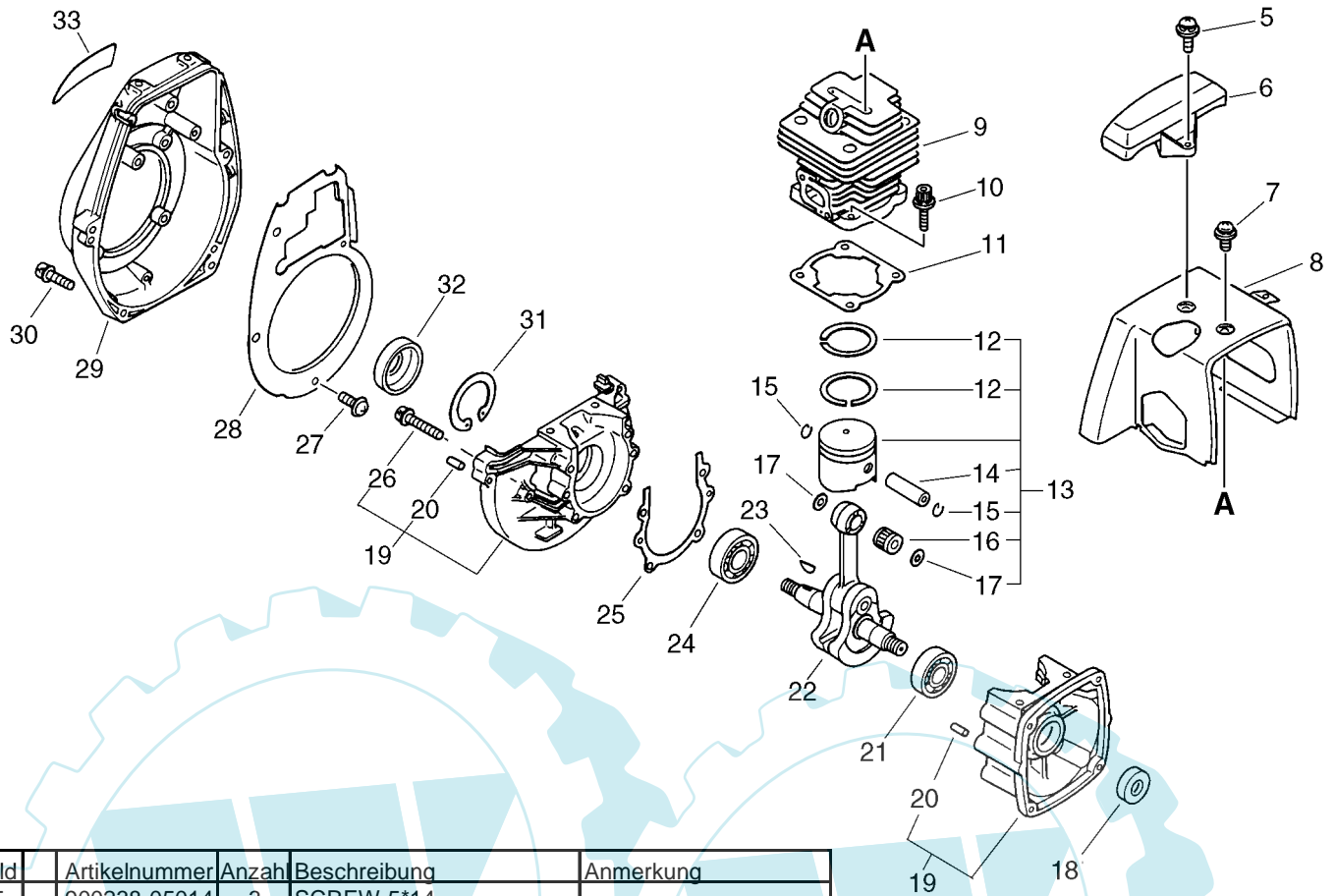


Bild	Artikelnummer	Anzahl	Beschreibung	Anmerkung
5	900238-05014	3	SCREW 5*14	
6	159905-43130	1	GUARD, TOP	
7	900238-05010	1	SCREW 5*10	
8	101514-42230	1	COVER, CYLINDER (BS)	
9	101011-47530	1	CYLINDER	
10	900162-05020	4	BOLT, H.S. 5*20	
11	101010-42231	1	GASKET, CYL. BASE	
13	100000-43230	1	PISTON KIT	Sus. by 100000-43231
13	100000-43231	1	PISTON KIT	
12 +	100011-43230	2	RING, PISTON	
14 +	100013-00410	1	PIN, PISTON	
15 +	100015-00120	2	CIRCLIP, PISTON PIN	
16 +	100012-27930	1	BEARING, NEEDLE	Sus. by 100012-12331
16 +	100012-12331	1	BEARING, NEEDLE	
17 +	100014-17330	2	SPACER, PISTON PIN	Sus. by V307-000050
17 +	V307-000050	2	WASHER,CIRCULAR 10	
18	100212-27930	1	OILSEAL	
19	100200-42230	1	CRANKCASE SET	
20 +	100215-02830	4	PIN, DOWEL	
26 +	900162-05030	4	BOLT, H.S. 5*30	
21	900810-36201	1	BEARING, BALL 6201	Sus. by 94035-36201
21	94035-36201	1	BEARING, BALL	
22	100100-43130	1	CRANKSHAFT ASSY	
23	100142-12330	1	KEY, WOODRUFF	
24	900810-36202	1	BEARING, BALL 6202	
25	100242-42230	1	GASKET, CRANKCASE	
27	900238-04010	4	SCREW 4*10	
28	101534-42230	1	PLATE, GUIDE	
29	101511-42230	1	COVER, FAN (BS)	
30	900162-05025	4	BOLT, H.S. 5*25	
31	900702-00035	1	CIRCLIP 35	
32	100213-02830	1	OILSEAL	
33	890112-43230	1	LABEL, MODEL	

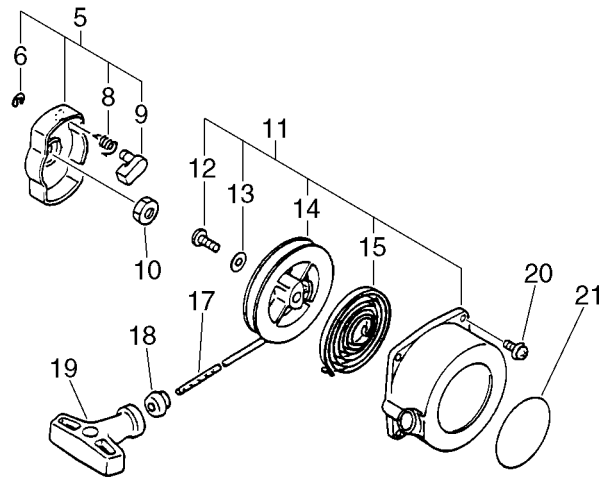


Bild		Artikelnummer	Anzahl	Beschreibung	Anmerkung
5		177202-41030	1	PAWL ASSY, STARTER	
6	+	900700-00004	1	E-RING 4	
8	+	177234-40630	1	SPRING, RETURN	
9	+	177218-40630	1	PAWL, STARTER	
10		900502-00008	1	NUT 8 (3N)	
11		177200-43130	1	STARTER ASSY (BS)	Sus. by A051-000170
11		A051-000170	1	STARTER, RECOIL	
12	+	177236-40630	1	SCREW	
13	+	177214-41030	1	WASHER	
14	+	177215-43130	1	DRUM, STARTER	
15	+	177220-40630	1	SPRING, REWIND	
17	+	177226-01110	1	ROPE, STARTER	
18	+	177227-05530	1	GUIDE, ROPE	Nur mit 177200-43130
18	+	177227-42030	1	GUIDE, ROPE	Nur mit A051-000170
19	+	177228-11120	1	GRIP, STARTER	
20		900162-04020	4	BOLT, H.S. 4*20	
21		890118-49330	1	LABEL, ECHO	

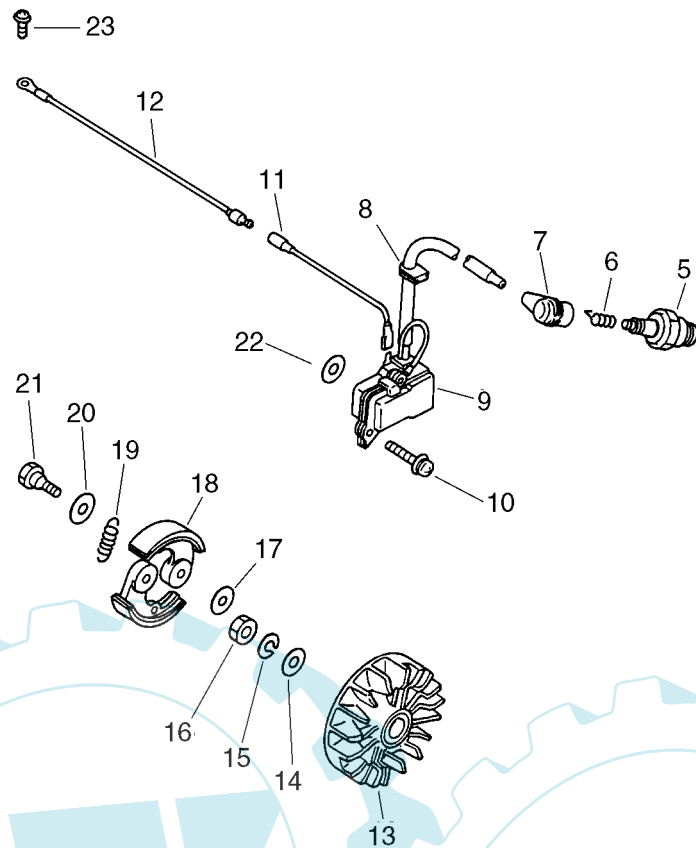


Bild	Artikelnummer	Anzahl	Beschreibung	Anmerkung
5	159017-10230	1	PLUG, SPARK (RCJ-7Y)	
6	159011-03432	1	COIL, SPARK PLUG CAP	
7	159012-03433	1	CAP, SPARK PLUG	
8	156112-40630	1	GROMMET	
9	156626-42230	1	COIL, IGNITION	Sus. by set of 156601-12920 and 900600-00006
9	156601-12920	1	COIL, IGNITION	
10	900238-05020	2	SCREW 5*20	
11	162021-42230	1	LEAD	
12	156635-43130	1	LEAD, GROUND	
13	156801-42230	1	FLYWHEEL	
14	900600-00010	1	WASHER 10	
15	900605-00010	1	WASHER, SPRING 10	
16	900503-00010	1	NUT 10 (3N*1.25)	
17	175049-03920	2	WASHER	
18	175009-42231	2	SHOE, CLUTCH	
19	175018-42230	1	SPRING, CLUTCH	
20	175048-03920	2	WASHER	
21	175046-06230	2	BOLT, CLUTCH	
22	900600-00006	2	WASHER 6	
23	900238-05010	1	SCREW 5*10	

Ersatzteilliste SRM-4600

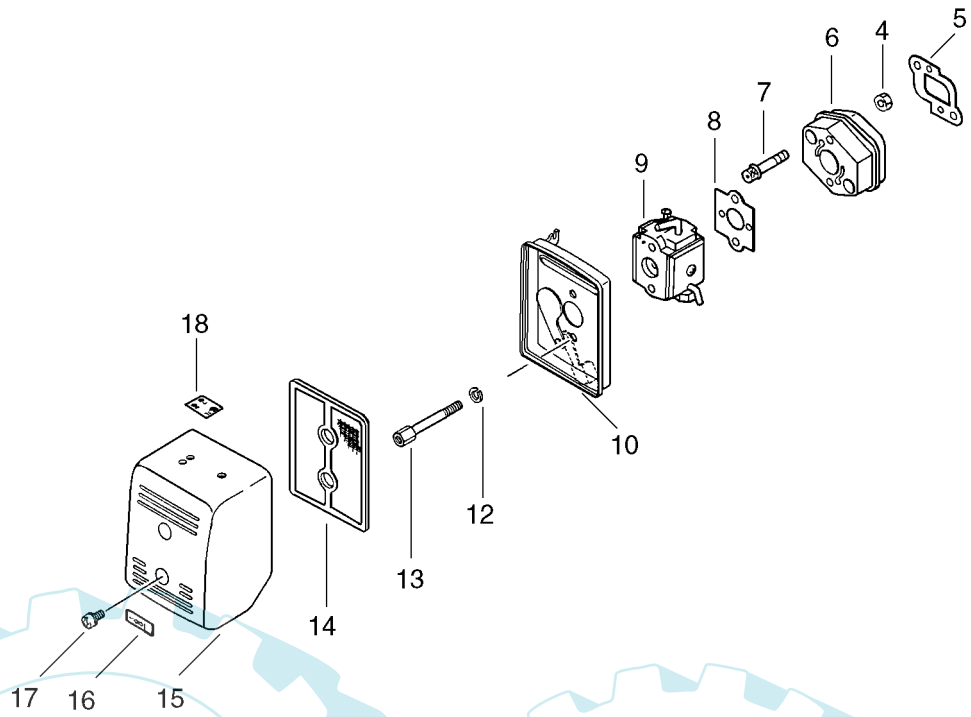


Bild	Artikelnummer	Anzahl	Beschreibung	Anmerkung
4	900500-00005	2	NUT 5	
5	130016-42231	1	GASKET, INTAKE	
6	130017-43130	1	INSULATOR	
7	900162-05025	2	BOLT, H.S. 5*25	
8	130016-06231	1	GASKET	Sus. by 130016-06232
8	130016-06232	1	GASKET, INTAKE	
9	123000-47532	1	CARBURETOR ASSY	
10	130307-47531	1	CASE, AIR CLEANER	Sus. by 130307-47533
10	130307-47532	1	CASE, AIR CLEANER	Sus. by 130307-47533
10	130307-47533	1	CASE, AIR CLEANER	
12	900605-00005	2	WASHER, SPRING 5	
13	130021-47530	2	BOLT, 5	Sus. by 130021-51530
13	130021-51530	2	BOLT, 5	
14	130310-06230	1	FILTER, AIR	
15	130313-06230	1	COVER, AIR CLEANER	
16	890121-21430	1	LABEL, CHOKE	
17	900238-04008	2	SCREW 4*8	
18	890169-47530	1	LABEL, ADJUSTING	

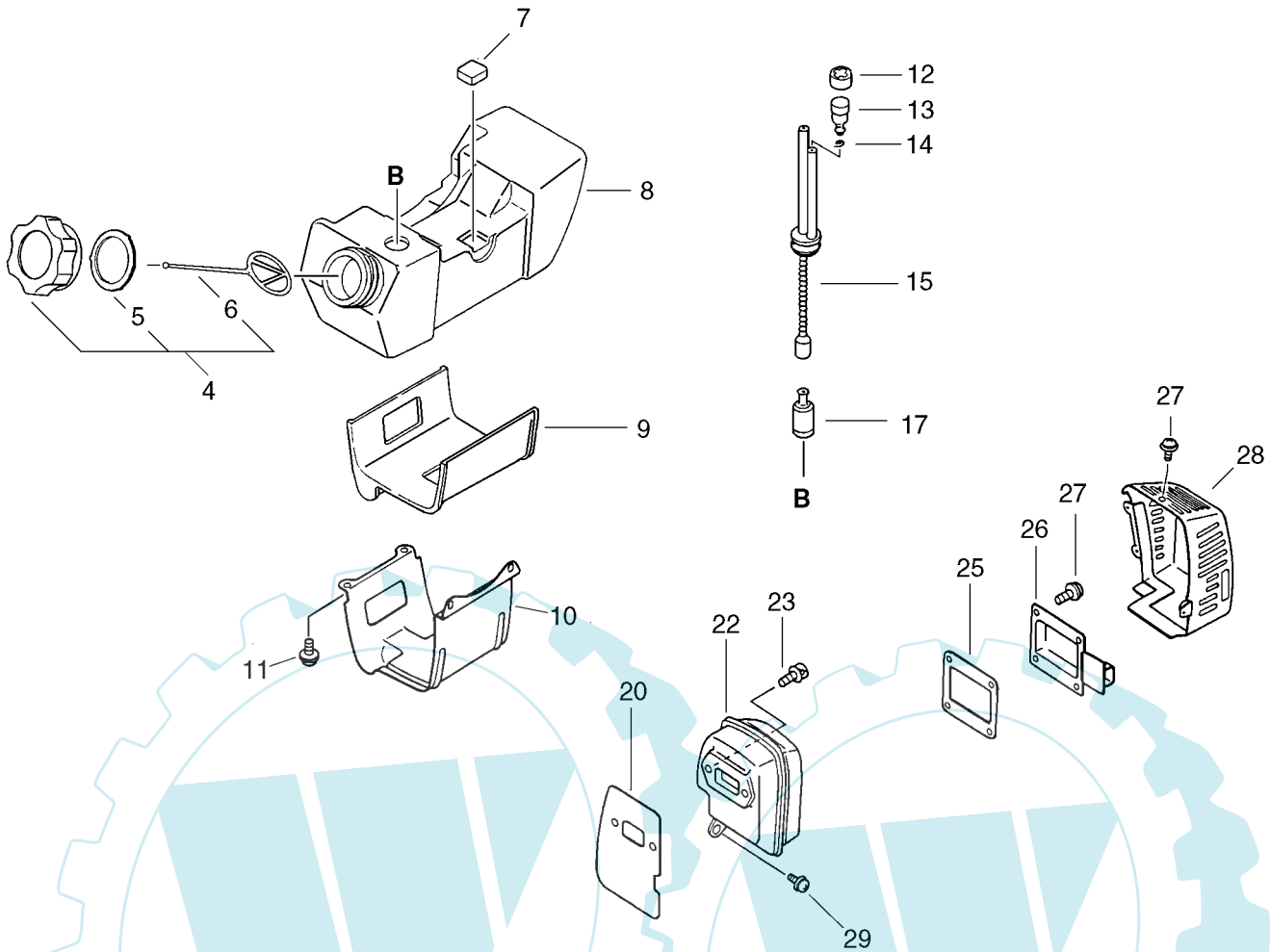


Bild	Artikelnummer	Anzahl	Beschreibung	Anmerkung
4	131004-46730	1	CAP ASSY, FUEL TANK	Sus. by 131004-08960
4	131004-08960	1	CAP ASSY, FUEL	
5 +	131016-40930	1	GASKET, FUEL CAP	Nur mit 131004-46730
5 +	131016-55830	1	GASKET, FUEL CAP	Nur mit 131004-08960
6 +	131051-52430	1	CONNECTOR, CAP	
7	131923-11120	3	CUSHION	
8	131010-43130	1	TANK, FUEL	Sus. by 131010-46930
8	131010-46930	1	TANK, FUEL	
9	131924-43130	1	CUSHION	
10	131910-43130	1	BRACKET, FUEL TANK (BL)	
11	900238-05014	2	SCREW 5*14	
12	131328-40630	1	COVER, VENT	
13	131300-49930	1	VALVE, CHECK	Sus. by 131300-56430
13	131300-56430	1	VALVE, CHECK	
14	132013-26630	1	CLIP	
15	132010-43130	1	PIPE, FUEL (INNER)	
17	131205-19830	1	STRAINER, FUEL	
20	145510-42231	1	GASKET, MUFFLER	
22	145610-47530	1	MUFFLER	
23	900162-05020	2	BOLT, H.S. 5*20	
25	145866-43131	1	GASKET, MUFFLER LID	
26	145867-47530	1	LID, MUFFLER	
27	900238-04010	7	SCREW 4*10	
28	145871-43130	1	COVER, MUFFLER	
29	900238-05014	1	SCREW 5*14	

Ersatzteilliste SRM-4600

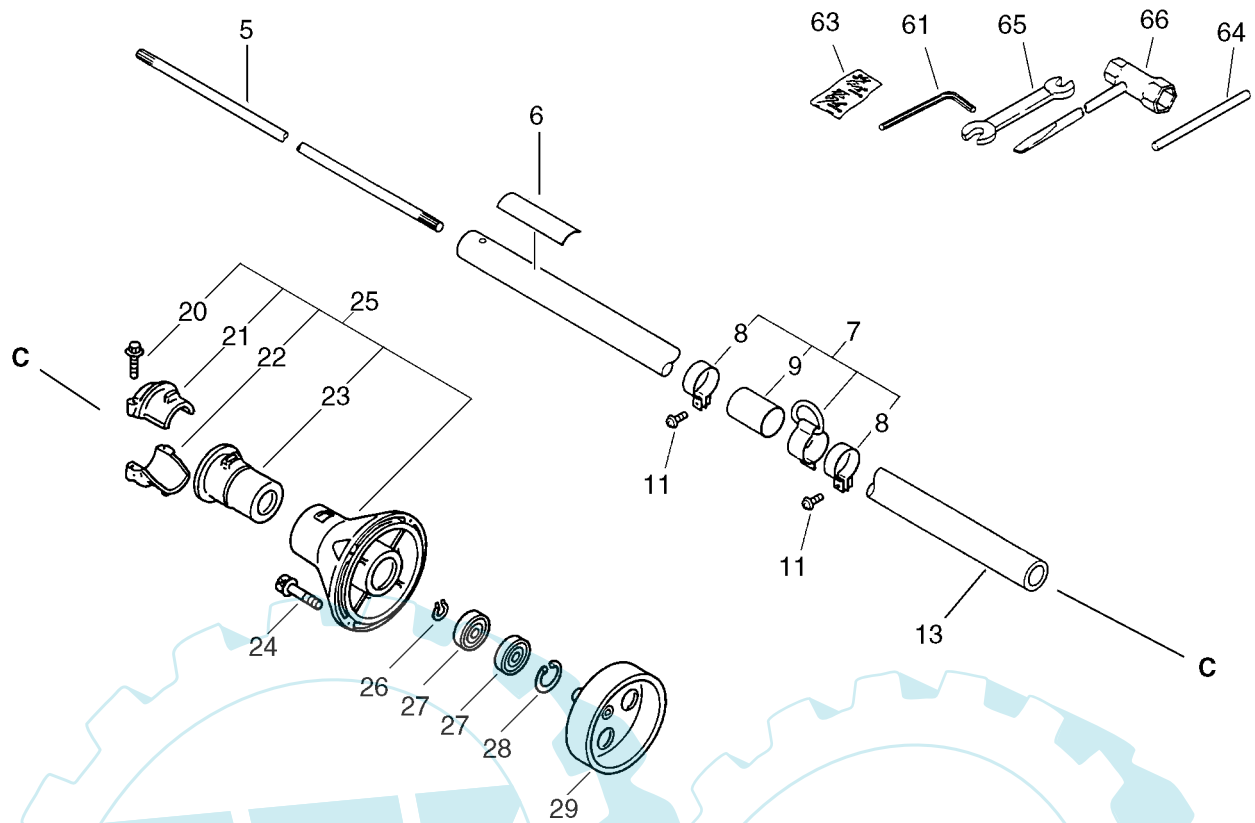


Bild	Artikelnummer	Anzahl	Beschreibung	Anmerkung
5	610011-06230	1	SHAFT, DRIVE	
6	890617-46830	1	LABEL, CAUTION	Sus. by 890617-43130
6	890617-43130	1	LABEL, CAUTION	
7	301200-06230	1	HOOK ASS'Y	
8 +	301207-05630	2	HOOK	
9 +	301224-06230	1	GUIDE	
11 +	900242-05014	2	SCREW 5*14	
13	610206-43130	1	HOUSING ASSY, D.SHFT	
20	900142-05025	2	BOLT 5*25 (W/W,SW)	
21	610922-40430	1	HOLDER	
22	610923-40430	1	HOLDER	
23	610910-40430	1	CUSHION	
24	900162-05020	4	BOLT, H.S. 5*20	
25	610205-43130	1	FLANGE (BS)	Sus. by 610203-43130
25	610203-43130	1	FLANGE, ASY	
20 +	900142-05025	2	BOLT 5*25 (W/W,SW)	Nur mit 610203-43130
21 +	610922-43130	1	HOLDER, MAIN PIPE	Nur mit 610203-43130
22 +	610922-55630	1	HOLDER, PIPE	Nur mit 610203-43130
23 +	610910-51830	1	CUSHION	Nur mit 610203-43130
26	900701-00012	1	CIRCLIP 12	
27	900807-06001	2	BEARING, BALL 6001	
28	900702-00028	1	CIRCLIP 28	
29	175005-43130	1	DRUM, CLUTCH	
61	895610-00130	1	L-WRENCH (4MM)	
63	898502-01130	1	PIN 2*22 (W/POUCH)	
64	897518-01131	1	LOCKING TOOL	
65	895112-00330	1	SPANNER 8*10	
66	895410-08030	1	WRENCH, W/S. DRIVER	

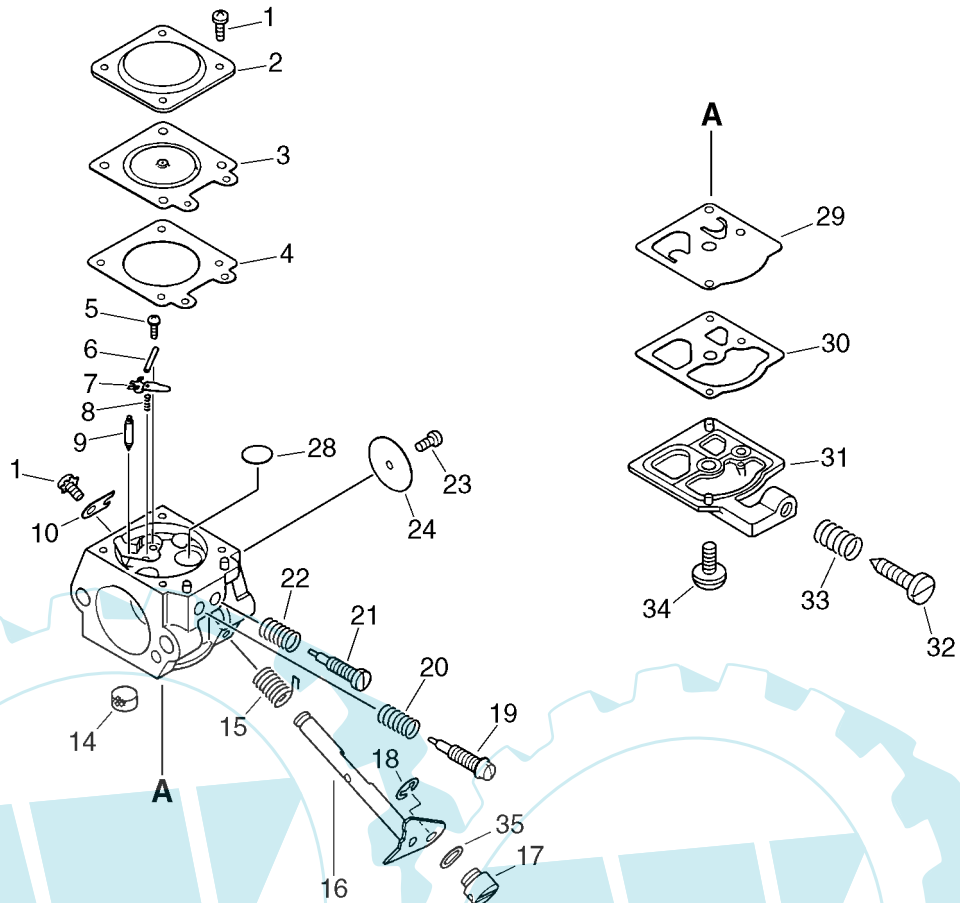


Bild	Artikelnummer	Anzahl	Beschreibung	Anmerkung
	123000-47532	1	CARBURETOR ASSY	
1 +	123130-02960	5	SCREW	
2 +	123142-03930	1	COVER, M. DIAPHRAGM	
3 +	123141-03930	1	DIAPHRAGM, METERING	
4 +	123140-03930	1	GASKET, M. DIAPHRAGM	
5 +	123139-03930	1	SCREW, M. LEVER PIN	
6 +	123138-03930	1	PIN, METERING LEVER	
7 +	123123-03930	1	LEVER, METERING	
8 +	123122-47530	1	SPRING, METER. LEVER	
9 +	123137-04260	1	VALVE, INLET NEEDLE	
10 +	123127-03930	1	CLIP, THROTTLE SHAFT	
14 +	123126-10631	1	SCREEN, INLET	
15 +	123113-47530	1	SPRING, THR. RTN.	
16 +	123117-05020	1	SHAFT, THROTTLE	
17 +	123172-26030	1	SWIVEL	
18 +	123173-07930	1	CLIP, THROTTLE SHAFT	
19 +	123120-47530	1	NEEDLE, HIGH SPEED	
20 +	123119-22130	1	SPRING, NEEDLE	
21 +	123118-40430	1	NEEDLE, IDLE	
22 +	123121-22130	1	SPRING, NEEDLE	
23 +	123114-03930	1	SCREW	Sus. by 123114-38830
23 +	123114-38830	1	SCREW	
24 +	123116-10530	1	VALVE, THROTTLE	
28 +	123146-10631	1	PLUG, WELCH	
29 +	123112-15030	1	DIAPHRAGM, FUEL PUMP	
30 +	123125-15030	1	GASKET, FUEL PUMP	
31 +	123124-24430	1	COVER, FUEL PUMP	
32 +	123134-04260	1	SCREW, IDLE ADJUST	
33 +	123133-06320	1	SPRING, IDLE ADJUST	
34 +	123110-03930	1	SCREW, PUMP COVER	
35 +	123149-26030	1	WASHER	

Ersatzteilliste SRM-4600

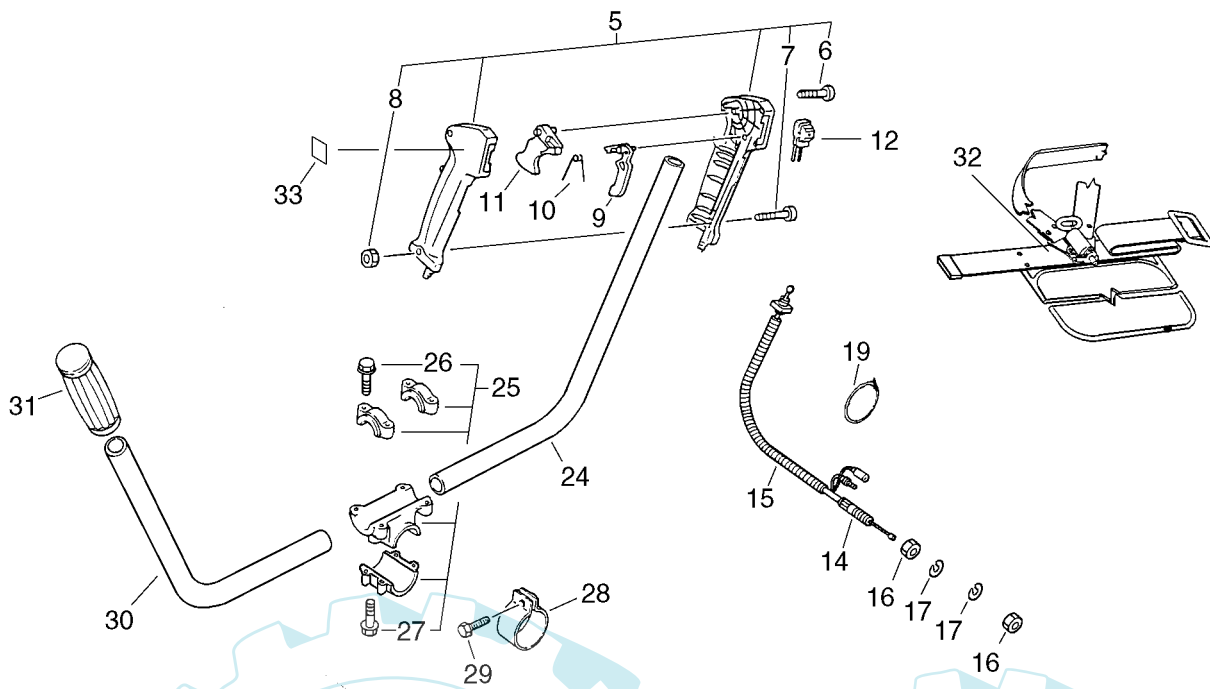


Bild	Artikelnummer	Anzahl	Beschreibung	Anmerkung
5	351102-47530	1	GRIP ASSY, F-HANDLE	
6 +	900246-03025	4	SCREW 3*25	
7 +	900220-05030	1	SCREW 5*30	
8 +	900500-00005	1	NUT 5	
9	178012-05960	1	LOCKOUT, THROTTLE	
10	178013-35631	1	SPRING, THR. LOCK	
11	178010-05960	1	CONTROL, THROTTLE	
12	163401-43130	1	SWITCH, IGNITION	
14	178001-43230	1	WIRE, THROTTLE	
15	178127-43230	1	TUBE	
16	900502-00006	2	NUT 6 (3N)	
17	900605-00006	2	WASHER, SPRING 6	
19	178121-43230	2	BAND	
24	351110-43230	1	HANDLE	
25	351301-43230	1	BRACKET ASSY HNDL(BS	
26 +	900142-05025	4	BOLT 5*25 (W/W,SW)	
27 +	900142-05030	4	BOLT 5*30 (W/W,SW)	
28	351642-08130	1	BAND	
29	900100-06014	1	BOLT 6*14	
30	351610-08130	1	HANDLE, FRONT	
31	351311-02330	1	GRIP, HANDLE	
32	301300-24830	1	HARNESS ASSY	Sus. by 301001-52130
32	301300-24831	1	HARNESS ASSY	Sus. by 301001-52130
32	301001-52130	1	HARNESS, SHOULDER	
33	890157-39130	1	LABEL, SWITCH	

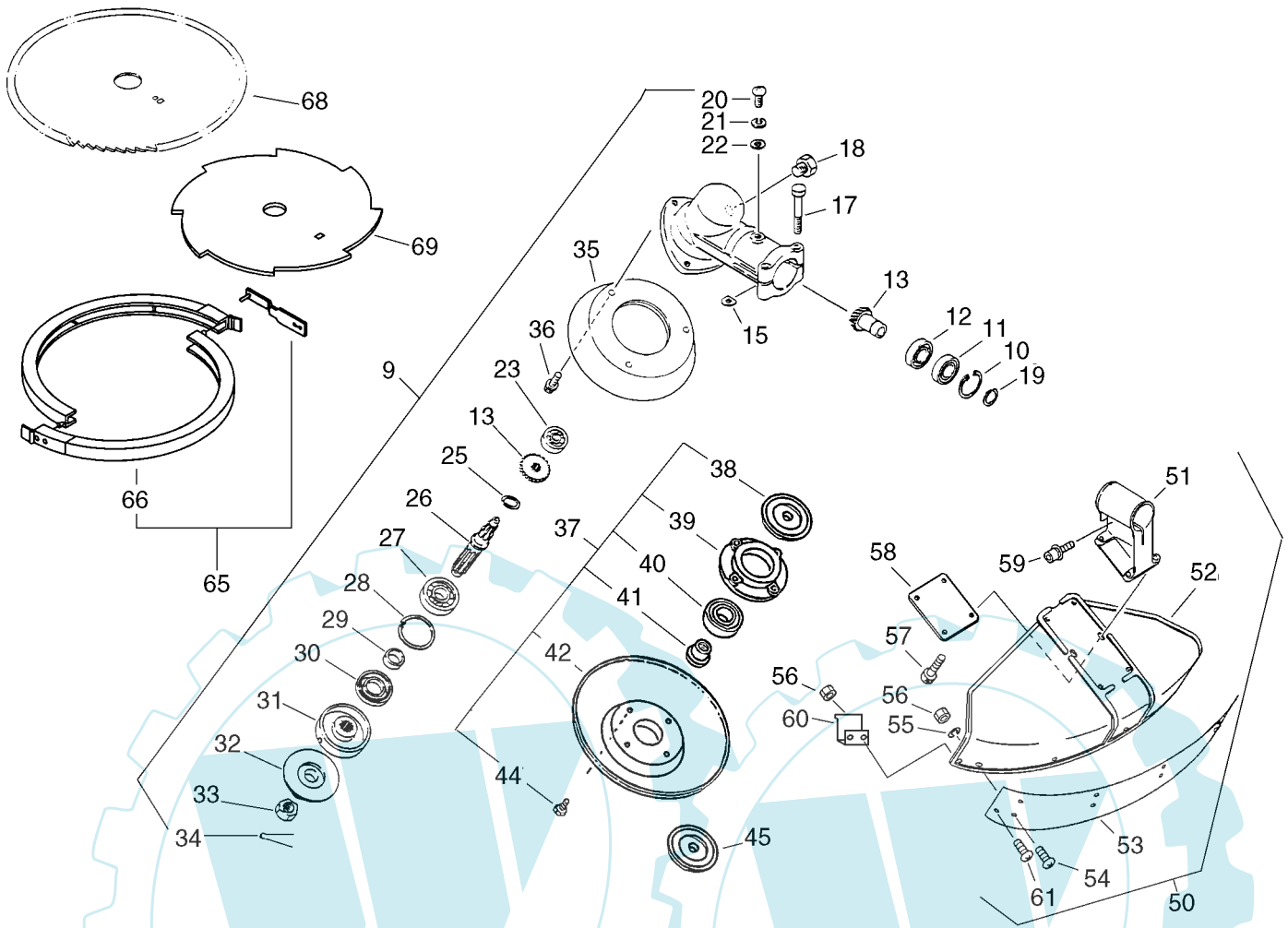
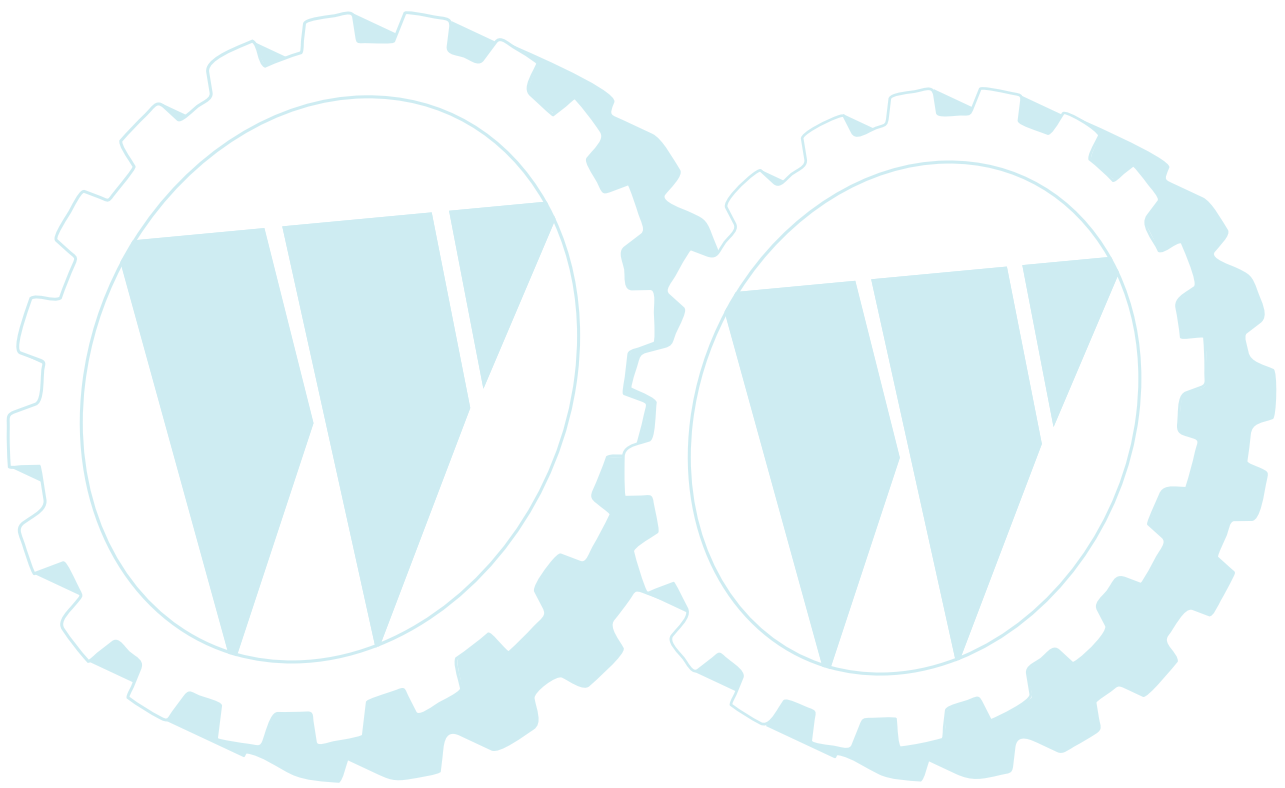


Bild	Artikelnummer	Anzahl	Beschreibung	Anmerkung	Bild	Artikelnummer	Anzahl	Beschreibung	Anmerkung
9	610400-40430	1	HOUSING ASSY, GEAR		37	699200-07131	1	CUP ASSY, FREE	
10 +	900702-00028	1	CIRCLIP 28		38 +	610333-07130	1	PLATE, ADAPTER (L)	
11 +	900807-06001	1	BEARING, BALL 6001		39 +	699226-05430	1	HOLDER, BEARING	
12 +	900800-06001	1	BEARING, BALL 6001		40 +	900814-06202	1	BEARING, BALL 6202	
13 +	610300-40430	1	GEAR SET		41 +	699227-04630	1	NUT	
15 +	610239-04130	2	WASHER, SHIM		42 +	699228-08930	1	PLATE, COVER	
17 +	900142-05030	2	BOLT 5*30 (W/W,SW)		44 +	900141-05012	4	BOLT 5*12	
18 +	610434-50030	1	BOLT 8* 6	Sus. by 610434-50031	45	610336-07131	1	PLATE, ADAPTER (L)	
18 +	610434-50031	1	BOLT 8* 8		50	699001-50430	1	SHIELD ASSY	
19 +	900701-00012	1	CIRCLIP 12		51 +	699011-43130	1	BRACKET, SHIELD	
20 +	900220-05010	1	SCREW 5*10		52 +	699010-54430	1	SHIELD, BLADE	
21 +	900605-00005	1	WASHER, SPRING 5		53 +	699013-52130	1	PLATE, SHIELD	
22 +	900600-00005	1	WASHER 5		54 +	900242-05018	4	SCREW 5*18	
23 +	900800-36000	1	BEARING, BALL 6000		55 +	900603-00005	4	WASHER 5	
25 +	900706-00012	1	CIRCLIP 12		56 +	900500-00005	6	NUT 5	
26 +	610310-07130	1	SHAFT, P.T.O.		57 +	900242-05014	4	SCREW 5*14	
27 +	900810-06201	1	BEARING, BALL 6201		58 +	699015-52130	1	PLATE, SHIELD	
28 +	900702-00032	1	CIRCLIP 32		59 +	900142-05025	2	BOLT 5*25 (W/W,SW)	
29 +	610315-07130	1	SPACER		60 +	699016-52130	1	KNIFE, CORD	Sus. by 699016-54530
30 +	610413-07130	1	OILSEAL		60 +	699016-54530	1	KNIFE, CORD	
31 +	610313-07130	1	PLATE, ADAPTER (U)		61 +	900242-05012	2	SCREW 5*12	
32 +	610314-07130	1	PLATE, ADAPTER (L)		65	898503-50030	1	SCABBARD KIT, BLADE	
33 +	900511-00010	1	NUT 10 (L-H)		66 +	898562-43230	1	FIXTURE, SCABBARD	
34 +	900300-20022	1	PIN, SPLIT 2*22		68	695001-55630	1	SAW,CIRCULAR 10*80T	
35 +	610443-21232	1	PLATE, GUARD		69	696001-55630	1	BLADE, 8-CUTTER 10IN	
36 +	900238-05020	3	SCREW 5*20						



ECHO®

Motorgeräte

die geh'n ran

