

Stand 15.07.2002

# ERSATZTEILLISTE

ECHO Motorsense  
SRM-400AE

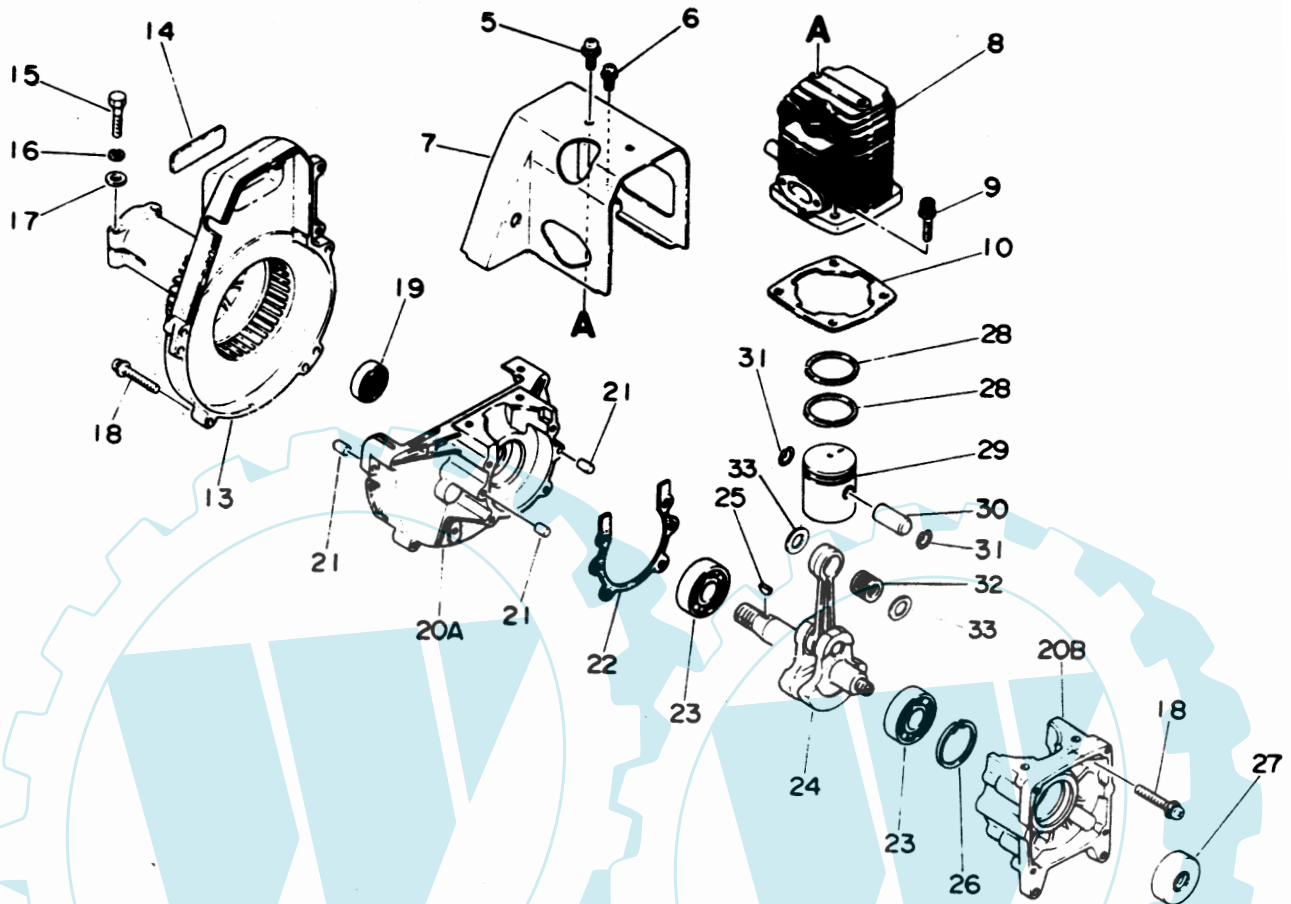
ECHO-Motorgeräte  
Vertrieb Deutschland GmbH  
Otto-Schott-Str. 7

72555 Metzingen

Telefon 07123-1091  
Telefax 07123-2589  
<http://www.echo-shop.de>  
email: [info@echo-shop.de](mailto:info@echo-shop.de)



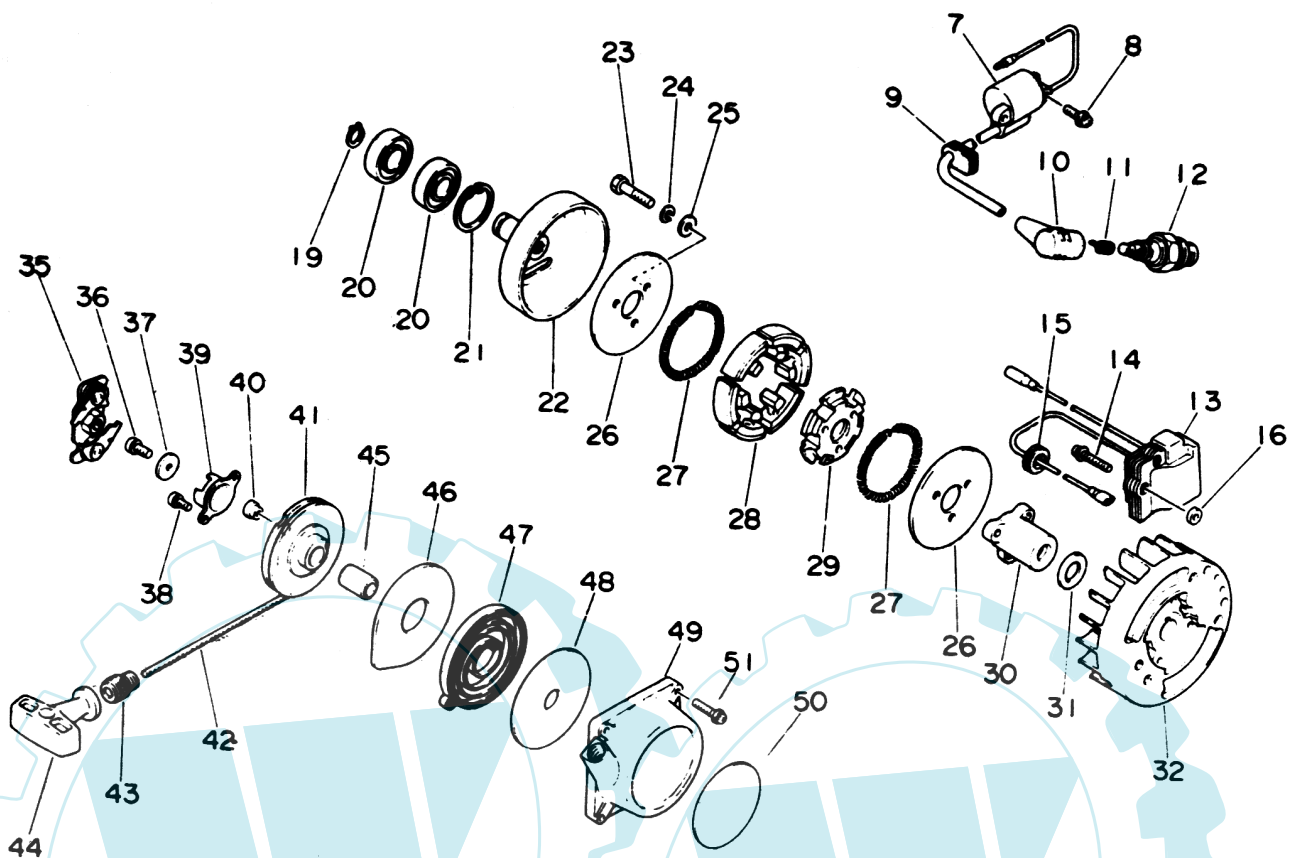
**SRM-400AE 1**



Key No.	Part Number	i	Description	Key No.	Part Number	Q'ty	Description
1- 5	900 242-0501 0	1	Screw 5 x 10	1-22	100 242-0672 0	—	Gasket, crankcase
6	900 242-0401 0	1	Screw 4 x 10	23	900 810-3620 2	—	Ball bearing 6202/C3
7	101 514-2483 0	3	Cover, cylinder	24	100 100-2483 0	5	Crankshaft ass'y
8	101 011-2483 0	3	Cylinder	25	100 142-1233 0	—	Key
9	900 162-0502 0	1	H.S. bolt 5 x 20	26	900 702-0003 5	—	Circlip 35
10	101 010-2143 0	1	Gasket, cyl.	27	100 213-0283 0	—	Oilseal
13	101 511-2143 0	1	Fan cover	28	100 011-1053 0	—	Piston ring
14	890 112-2453 0	1	Decal 400AE	29	100 010-2483 0	10	Piston
15	900 100-0502 5	5	Bolt (5 x 25)	30	100 013-0041 0	10	Piston pin
16	900 605-0000 5	5	Spring washer 5	31	100 015-0012 0	50	Circlip, piston pin
17	900 600-0000 5	5	Washer 5	32	100 012-1233 0	—	Bearing, needle
18	900 242-0503 0	1	Screw 5 x 30	33	100 014-1733 0	20	Spacer
19	100 213-0031 0	1	Oilseal				
20	100 200-2143 0	1	Crankcase set				
21	-100 215-0283 0	1	Pin, knock				

Remarks :  
20 Includes 21

**SRM-400AE 2**



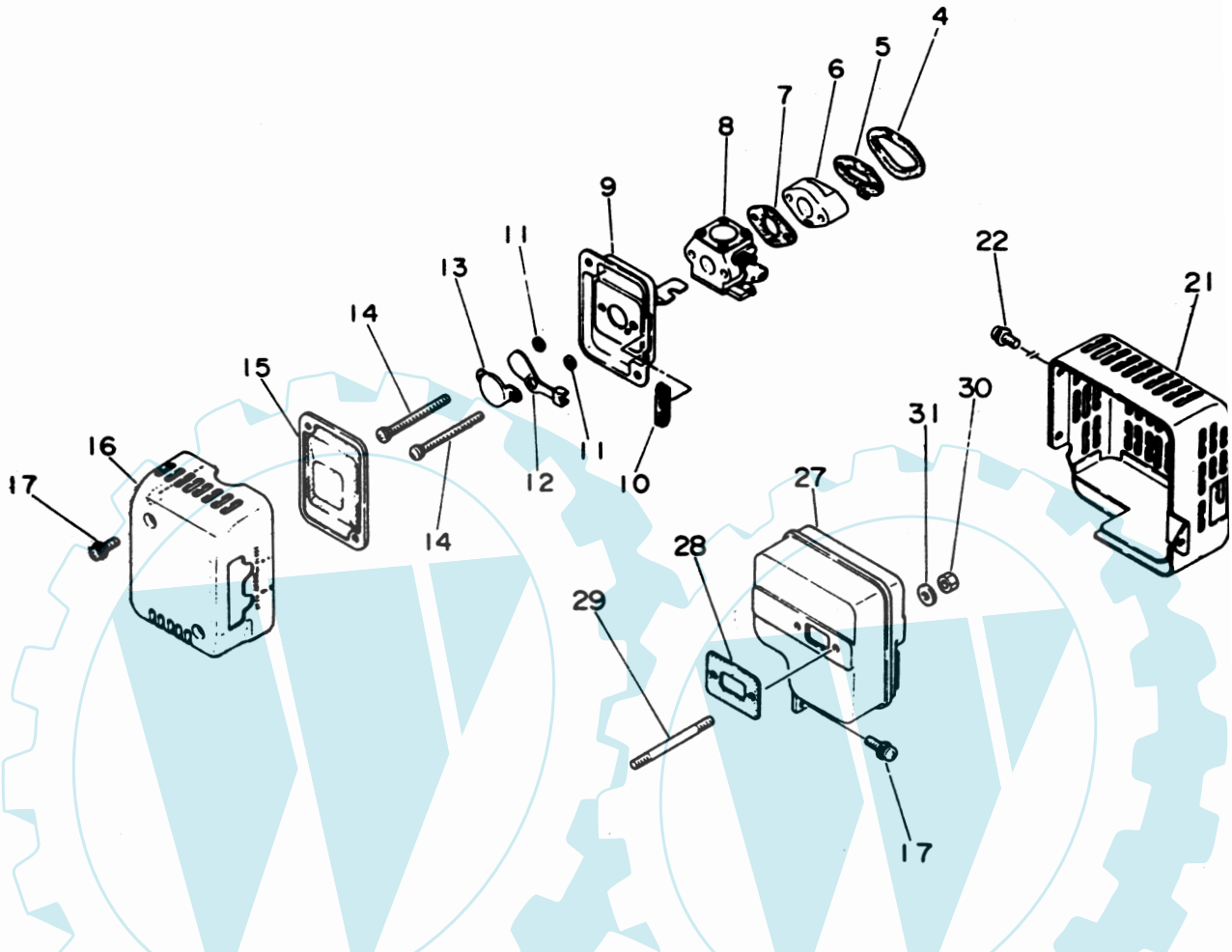
Key No.	Part Number	Q'ty	Description	Key No.	Part Number	Q'ty	Description
2-				2-31	100 132-2143 0	20	Washer
7	156 626-2143 0	—	Ignition coil	32	156 200-0832 0	2	Flywheel
8	900 242-0401 4	—	Screw 4x14	35	177 305-0672 0	—	Ratchet ass'y
9	150 110-0913 0	10	Grommet	**	177 200-0672 1	—	Starter ass'y
				36	-900 241-0501 0	—	Screw 5x10
10	159 012-0343 3	—	Cap, spark plug	37	-177 214-0283 0	—	Washer
11	159 011-0343 2	—	Coil, spark plug	38	-900 241-0400 8	—	Screw 4x8
12	159 010-1063 0	—	Spark plug BPM-7A	39	-177 243-0413 0	—	Pawl catcher
13	156 601-2483 0	10	Module CDI	40	-177 246-0393 0	—	Clip, starter rope
14	900 242-0402 2	—	Screw 4x22	41	-177 215-0413 0	—	Recoil drum
15	150 114-0913 0	—	Grommet	42	-177 226-0393 0	—	Starter rope
16	150 117-0913 0	20	Washer	43	-177 227-0533 0	—	Rope guide
19	900 701-0001 5	20	Circlip 15	44	-177 228-1113 0	—	Starter grip
20	900 819-0620 2	—	Ball bearing 6202	45	-177 216-1233 0	—	Bush
21	900 702-0003 5	—	Circlip 35	46	-177 242-0672 1	—	Side plate
22	175 005-2143 0	—	Drum, clutch	47	-177 220-0393 0	—	Rewind spring
23	900 100-0502 5	—	Bolt 5x25	48	-177 221-0672 0	—	Side plate
24	900 605-0000 5	—	Spring washer 5	49	-177 209-0672 1	—	Starter case
25	900 600-0000 5	—	Washer 5	50	890 112-1783 0	10	Decal, ECHO
26	175 019-2143 0	6	Side plate	51	900 242-0402 0	—	Screw 4x20
*	175 000-2143 0	—	Clutch ass'y				
27	-175 018-0333 0	10	Clutch spring				
28	-175 009-0423 0	—	Clutch shoe				
29	-175 016-2143 0	—	Boss, clutch				
30	-175 056-2143 0	—	Adapter				

Remarks:

- \* Consists of 27 thru 30
- \*\* Consiste of 36 thru 49



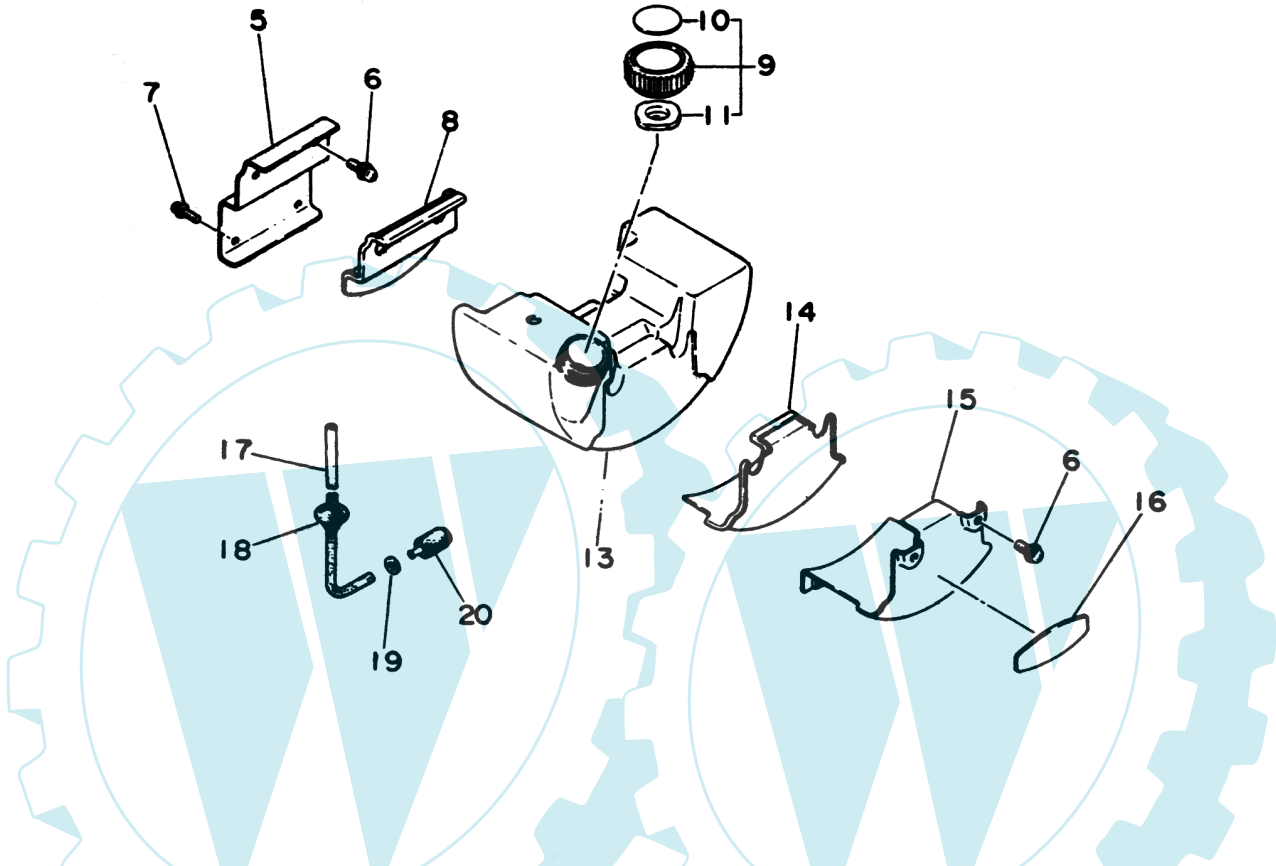
**SRM-400AE 3**



Key No.	Part Number	Q'ty	Description	Key No.	Part Number	Q'ty	Description
3-4	130 012-2483 0		Grommet	3-21	145 621-2483 1		Cover, muffler
5	130 010-0672 0		Gasket	22	900 242-0501 0		Screw 5x10
6	130 017-0672 1		Insulator	27	145 605-2483 0		Muffler
7	130 016-0463 0		Gasket, carburetor	28	145 510-2483 0		Gasket, muffler
8	123 000-2483 0		Carburetor WA-142	29	101 014-0493 0		Stud, muffler
9	130 301-2483 0		Case, air cleaner	30	433 020-0083 0		Lock nut 5
10	-178 810-2163 0		Grommet	31	900 603-0000 5		Washer 5
11	178 516-0083 0		Spacer				
12	178 515-2483 0		Shutter, choke				
13	129 011-0463 0		Plate				
14	900 241-0506 0		Screw 5x60				
15	130 310-2483 1		Filter, air				
16	130 308-2483 0		Cover, air cleaner				
17	900 242-0501 4		Screw 5x14				

Remarks:

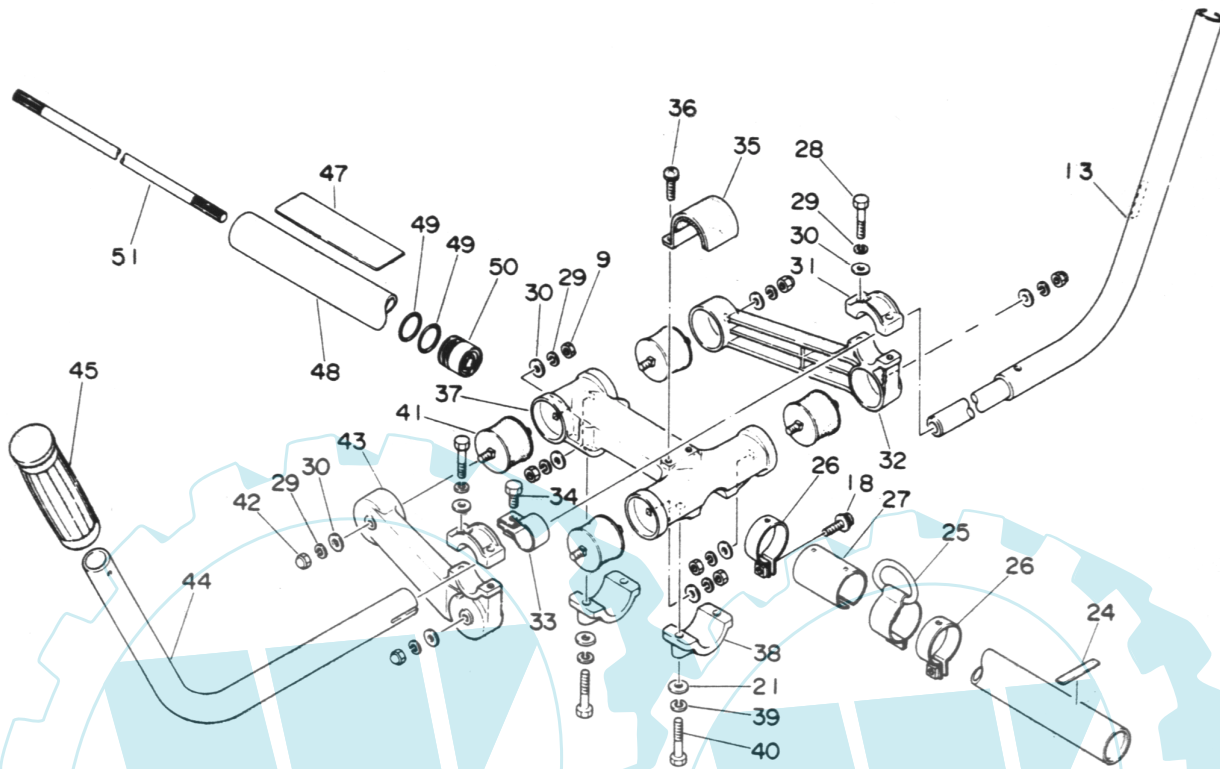
**SRM-400AE 4**



Key No.	Part Number	Q'ty	Description	Key No.	Part Number	Q'ty	Description
4- 5	131 910-2483 0		Bracket, f. tank	4-15	131 918-2483 0		Bracket, f. tank
6	900 242-0501 4		Screw 5x14	16	890 118-2403 0		Decal, ECHO
7	900 242-0401 4		Screw 4x14	17	132 010-2483 0		Pipe, fuel
8	131 920-2483 0		Cushion	18	132 115-0492 0		Grommet
9	131 600-2213 0		Cap ass'y, f. tnk	19	900 603-0000 5		Washer 5
10	-890 154-1513 0		Decal	20	131 200-2133 0		Strainer, fuel
11	-131 314-0493 0		Check valve				
13	131 010-2483 1		Fuel tank				
14	131 924-2483 0		Cushion				



SRM-400AE 5



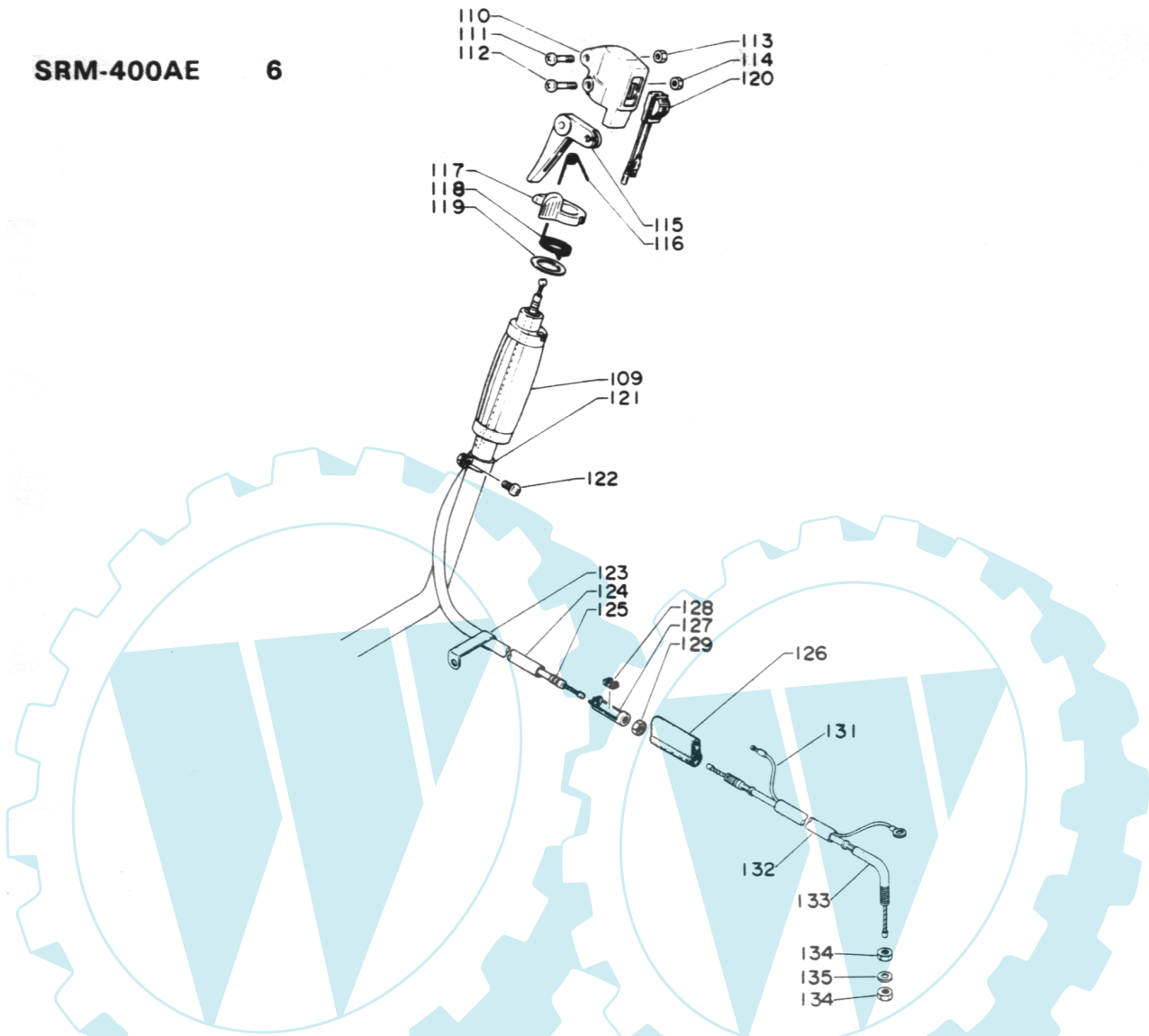
Key No.	Part Number	Q'ty	Description	Key No.	Part Number	Q'ty	Description
5-13	351 110-0813 0		Handle	5-41	-352 019-0533 0		Cushion
24	890 152-0493 0		Decal, guide	42	-300 323-0313 0		Nut, cap 5
*	301 200-0623 0		Hanger ass'y	43	-352 013-0533 0		Arm. handle (L)
18	-900 242-0501 4		Screw 5x14	33	351 642-0813 0		Band
25~27			Hanger	34	900 100-0601 2		Bolt 6x12
**	<b>352 000-0423 0</b>		<b>V.L. Unit</b>	44	351 610-0813 0		Handle
9	-900 500-0000 5		Nut 5	45	351 311-0233 0		Grip, handle
21	-900 600-0000 6		Washer 6	47	890 160-2033 0		Decal, caution
28	-900 100-0502 5		Bolt 5x25	48	<b>610 206-0423 1</b>		<b>Housing ass'y, d. sft</b>
29	-900 605-0000 5		Spring washer 5	49	-610 112-0423 0		O-ring
30	-900 600-0000 5		Washer 5	50	-610 105-0423 0		Bush
31	-352 015-0533 0		Retainer	51	610 011-0623 0		Shaft, drive
32	-352 014-0533 0		Arm, retainer (R)				
35	-352 090-0533 0		Plate				
36	-900 241-0501 4		Screw 5x14				
37	-352 010-0533 0		Holder, d.s. housing				
38	-352 018-0533 0		Holder				
39	-900 605-0000 6		Spring washer 6				
40	-900 100-0603 0		Bolt 6x30				

Remarks: \* Consists of 18 25 thru 27

\*\* Consist of 9, 21 and 28 thru 43 except 33 and 34

48 Includes 49 and 50

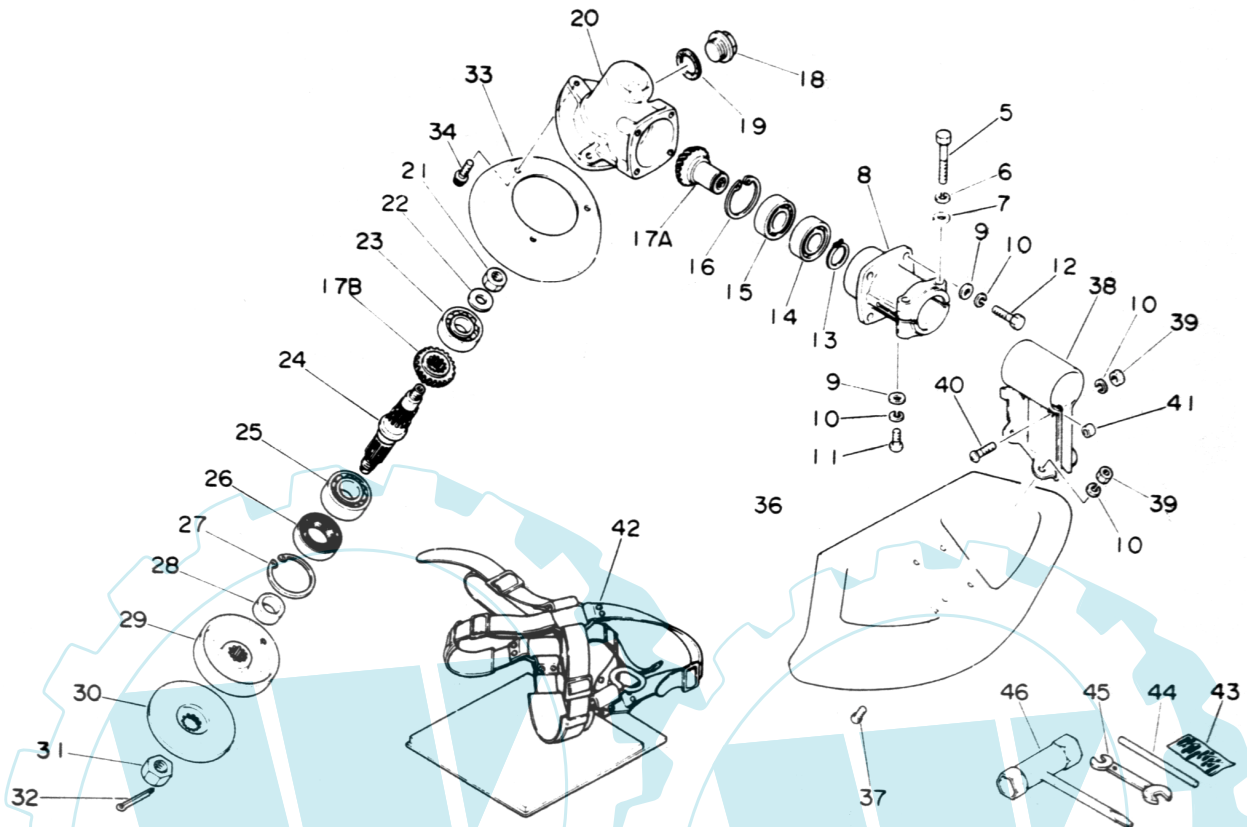
**SRM-400AE 6**



Key No.	Part Number	Description	Key No.	Part Number	Q'ty	Description
6-109	351 315-2213 0	Grip, handle	6-124	178 127-2213 0		Tube
110	178 024-2213 0	Bracket, throttle	125	178 002-2213 0		Cable, throttle
111	178 110-0533 0	Screw	126	178 128-2213 0		Sleeve
112	900 220-0502 5	Screw 5 x 25	127	178 114-0563 0		Retainer, joint
113	433 020-0083 0	Lock nut	128	178 049-0663 0		Joint
114	900 500-0000 5	Nut 5	129	178 021-0553 0		Nut
115	178 010-0533 0	Trigger, throttle	131	162 010-2443 0		Lead, ground
116	178 043-0523 0	Spring, thr, return	132	178 127-2443 0		Tube
117	178 012-2213 0	Lockout, throttle	133	178 004-2443 0		Cable, throttle
118	178 013-2213 0	Spring	134	900 502-0000 6		Nut 6
119	178 070-2213 0	Spacer	135	900 600-0000 6		Washer 6
120	163 400-2453 0	Switch				
121	178 106-0533 0	Band				
122	900 220-0501 0	Screw 5 x 10				
123	178 111-0623 0	Clip				



SRM-400AE 7



Key No.	Part Number	Q'ty	Description	Key No.	Part Number	Description
7-*	610 402-2273 0		Housing ass'y, gear	7-29	-610 313-0623 0	Plate, adapter. U
5	-900 100-0603 5		Bolt 6x35	30	-610 314-0623 1	Plate, adapter. L
6	-900 605-0000 6		Spring washer 6	31	-900 511-0001 0	Nut 10 L.H
7	-900 600-0000 6		Washer 6	32	-900 300-2002 2	Split pin 2x22
8	-610 412-0623 0		Bearing holder	33	-610 443-0623 0	Adapter
9	-900 600-0000 5		Washer 5	34	-900 242-0501 4	Screw 5x14
10	-900 605-0000 5		Spring washer 5	**	699 000-0533 1	Shield ass'y <i>80410</i>
11	-900 220-0501 2		Screw 5x12	10	-900 605-0000 5	Spring washer 5
12	-900 100-0502 0		Bolt 5x20	36	-699 010-0533 0	Shield
13	-900 701-0001 5		Circlip 15	37	-900 242-0501 0	Screw 5x10
14	-900 801-0600 2		Ball bearing 6002D	38	-699 011-0533 1	Bracket
15	-900 800-0600 2		Ball bearing 6002	39	-900 500-0000 5	Nut 5
16	-900 702-0003 2		Circlip 32	40	-900 242-0502 0	Screw 5x20
17	-610 300-2273 0		Gear set	41	-699 012-0333 0	Spacer
18	-610 510-0193 0		Inject plug	42	301 000-0623 1	Harness ass'y
19	-610 511-0123 0		Gasket, plug	43	898 502-0113 0	Split pin 10 pcs.
20	-610 410-0623 1		Housing, gear	44	897 518-0113 1	Fitting tool
21	-900 502 0000 8		Nut 8	45	895 112-0033 0	Spanner 8x10
22	-900 600-0000 8		Washer 8	46	895 410-0793 0	Box wrench
23	-900 810-0620 1		Ball bearing 6201			
24	-610 310-2273 0		Shaft,	Option	695 001-0123 0	Circular saw
25	-900 810-0620 2		Ball bearing 6202		696 001-0113 0	8-cutter blade
26	-610 413-0623 0		Oil seal			
27	-900 702-0003 5		Circlip 35			
28	-610 334-0623 0		Spacer			

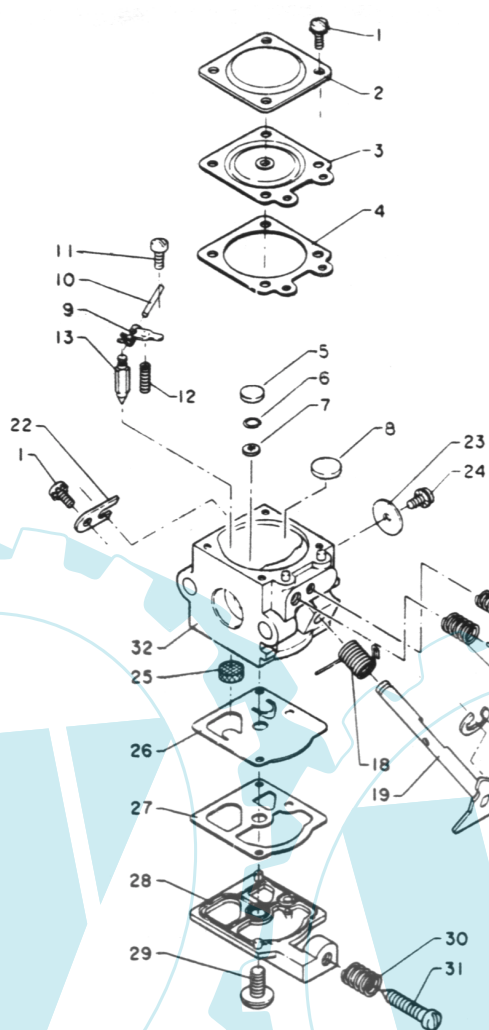
Remarks:

\* Consists of 5 thru 34

\*\* Consists of 10.36 thru 41

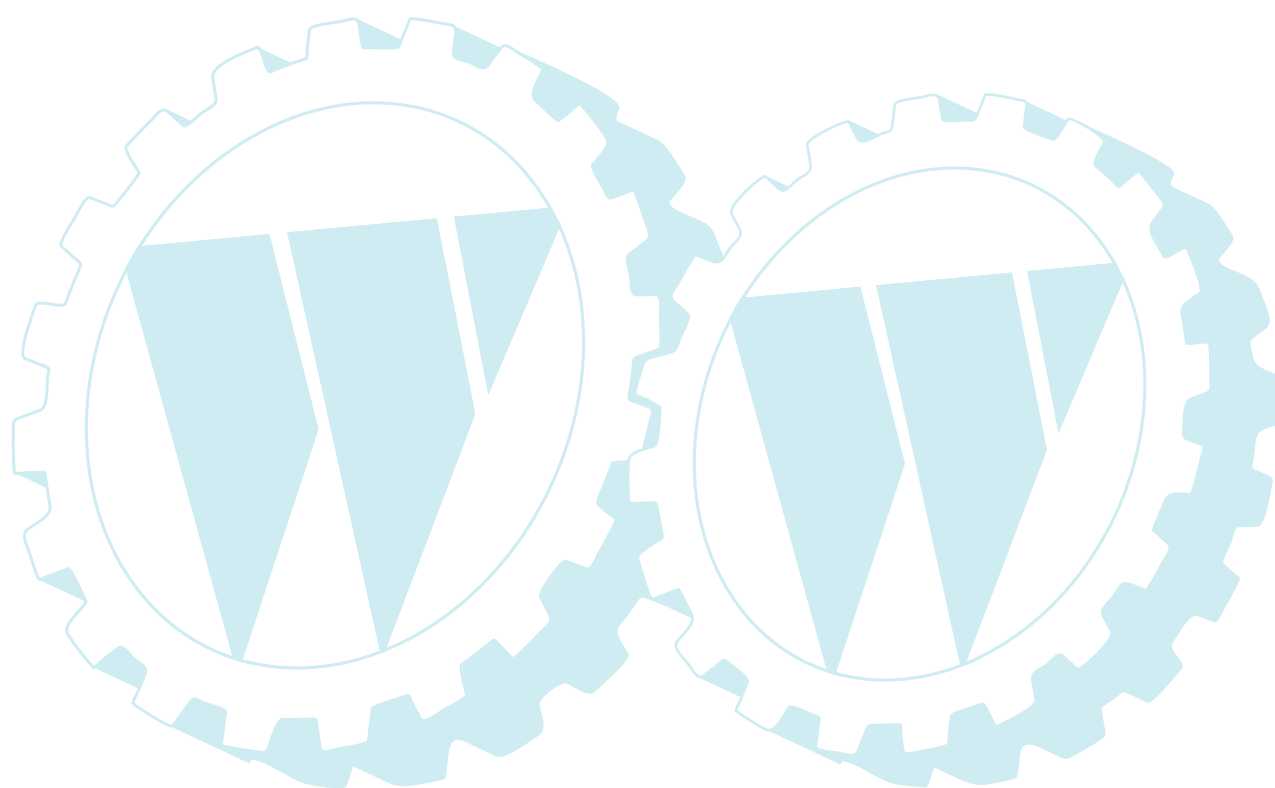


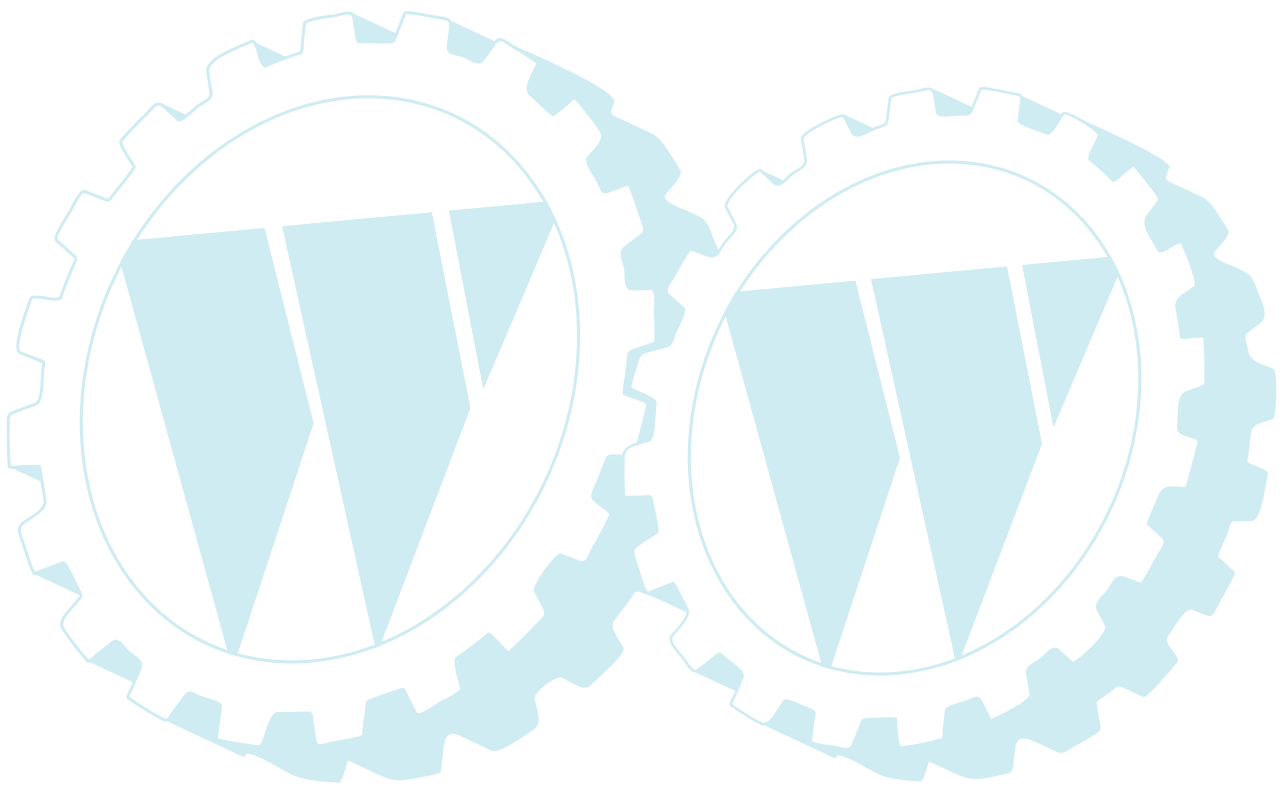
**SRM-400AE 8**



Key No.	Part Number	Q'ty	Description	Key No.	Part Number	Description
8-*	123 000-2483 0		Carbueter WA-142	8-20	-123 127-1063 0	Retaining, spring
1	-123 130-0296 0		Screw	21	-123 172-0432 0	Swivel
2	-123 142-0393 0		Cover, m. diaphragm	22	-123 127-0393 0	Clip, throttle shaft
3	-123 141-0393 0		Diaphragm, metering	23	-123 116-1053 0	Valve, throttle
4	-123 140-0653 0		Gasket, m. diaphragm	24	-123 114-0393 0	Screw, thrt. valve
5	-123 145-1633 0		Plug, welch	25	-123 126-1063 1	Screen, inlet
6	-123 169-1063 0		Ring, retaining	26	-123 112-1503 0	Pump diaphragm
7	-123 168-1063 1		Screen	27	-123 125-1503 0	Gasket, pump
8	-123 146-1063 0		Plug, welch	28	-123 124-2443 0	Cover, fuel pump
9	-123 123-0393 0		Lever, metering	29	-123 110-0393 0	Screw, pump cover
10	-123 138-0393 0		Pin, metering lever	30	-123 133-0632 0	Spring, idle adjust
11	-123 139-0393 0		Screw, m. lever pin	31	-123 134-0632 0	Screw, idle adjust
12	-123 122-1113 0		Spring, meter. lever	32	-Unavailable	Body ass'y
13	-123 137-0393 0		Valve, inlet needle			
14	-123 119-0393 0		Spring, Needle			
15	-123 120-0076 0		Needle, high speed			
16	-123 121-0393 0		Spring, needle			
17	-123 118-2443 0		Needle, idle			
18	-123 113-1503 0		Spring, thrt. return			
19	-123 117-0502 0		Shaft, throttle			

Remarks:  
 \* Consists of 1 thru 32  
*Membransatz*  
*123 103 - 03930*





**ECHO**®

**Motorgeräte**

*die geh'n ran*

