

Stand 07.02.2002

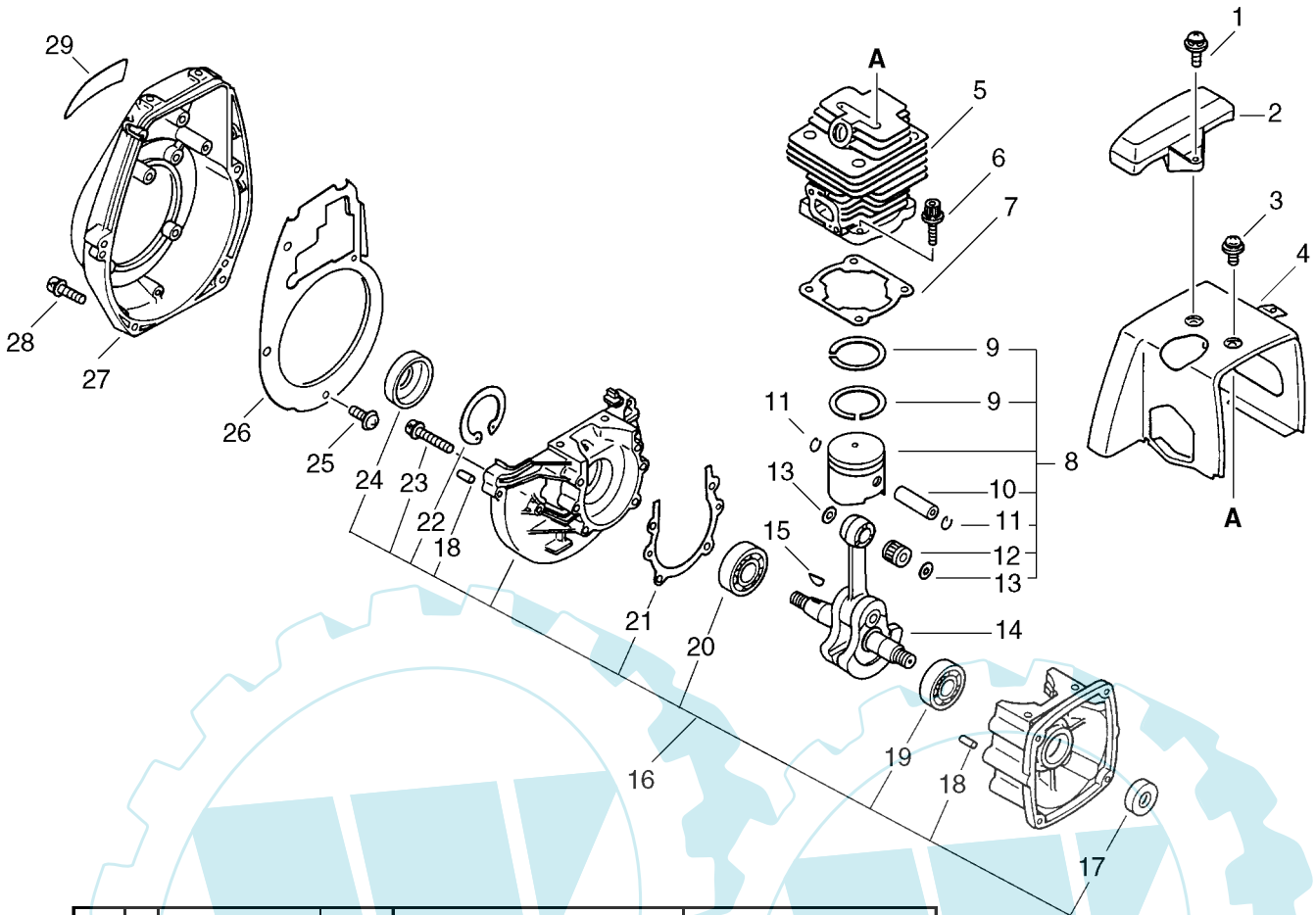
ERSATZTEILLISTE

ECHO Motorsense SRM-3805

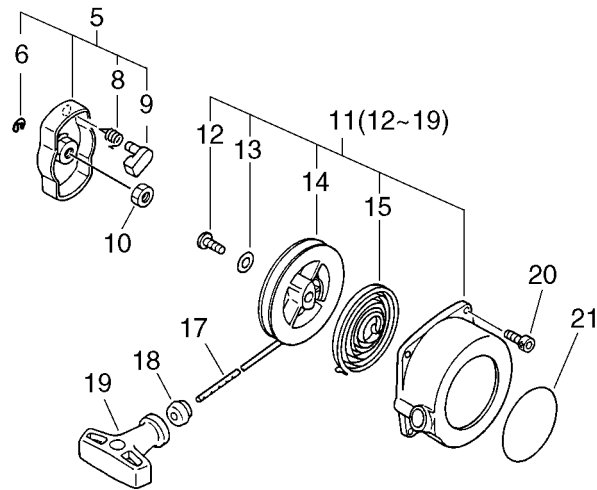
ECHO-Motorgeräte
Vertrieb Deutschland GmbH
Otto-Schott-Str. 7

72555 Metzingen

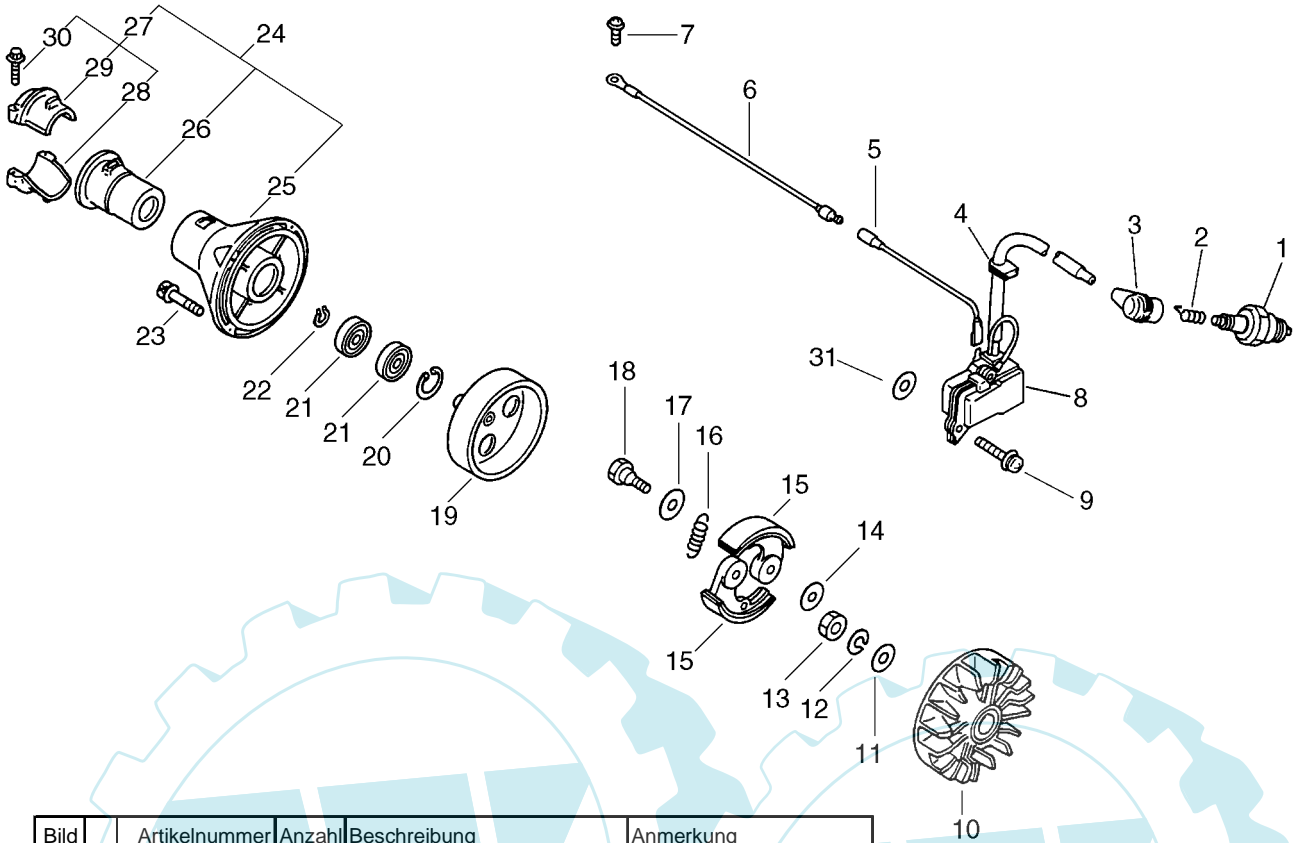
Telefon 07123-1091
Telefax 07123-2589
<http://www.echo-shop.de>
email: info@echo-shop.de



| Bild | Artikelnummer | Anzahl | Beschreibung | Anmerkung |
|------|----------------|--------|----------------------|----------------------|
| 1 | 900238-05014 | 3 | SCREW 5*14 | |
| 2 | 159905-43130 | 1 | GUARD, TOP | |
| 3 | 900238-05010 | 1 | SCREW 5*10 | |
| 4 | 101514-42230 | 1 | COVER, CYLINDER (BS) | |
| 5 | 101011-43130 | 1 | CYLINDER | |
| 6 | 900162-05020 | 4 | BOLT, H.S. 5*20 | |
| 7 | 101010-42231 | 1 | GASKET, CYL. BASE | |
| 8 | 100000-43130 | 1 | PISTON KIT | Sus. by 100000-43131 |
| 8 | 100000-43131 | 1 | PISTON KIT | |
| 9 | + 100011-42230 | 2 | RING, PISTON | |
| 10 | + 100013-00410 | 1 | PIN, PISTON | |
| 11 | + 100015-00120 | 2 | CIRCLIP, PISTON PIN | |
| 12 | + 100012-27930 | 1 | BEARING, NEEDLE | Sus. by 100012-12331 |
| 12 | + 100012-12331 | 1 | BEARING, NEEDLE | |
| 13 | + 100014-17330 | 2 | SPACER, PISTON PIN | Sus. by V307-000050 |
| 13 | + V307-000050 | 2 | WASHER, CIRCULAR 10 | |
| 14 | 100100-43130 | 1 | CRANKSHAFT ASY | |
| 15 | 100142-12330 | 1 | KEY, WOODRUFF | |
| 16 | 100204-42230 | 1 | CRANKCASE KIT | |
| 17 | + 100212-27930 | 1 | OILSEAL | |
| 18 | + 100215-02830 | 4 | PIN, DOWEL | |
| 19 | + 900810-36201 | 1 | BEARING, BALL 6201 | Sus. by 94035-36201 |
| 19 | + 94035-36201 | 1 | BEARING, BALL | |
| 20 | + 900810-36202 | 1 | BEARING, BALL 6202 | |
| 21 | + 100242-42230 | 1 | GASKET, CRANKCASE | |
| 22 | + 900702-00035 | 1 | CIRCLIP 35 | |
| 23 | + 900162-05030 | 4 | BOLT, H.S. 5*30 | |
| 24 | + 100213-02830 | 1 | OILSEAL | |
| 25 | 900238-04010 | 4 | SCREW 4*10 | |
| 26 | 101534-42230 | 1 | PLATE, GUIDE | |
| 27 | 101511-42230 | 1 | COVER, FAN (BS) | |
| 28 | 900162-05025 | 4 | BOLT, H.S. 5*25 | |
| 29 | 890611-43030 | 1 | LABEL, MODEL | |

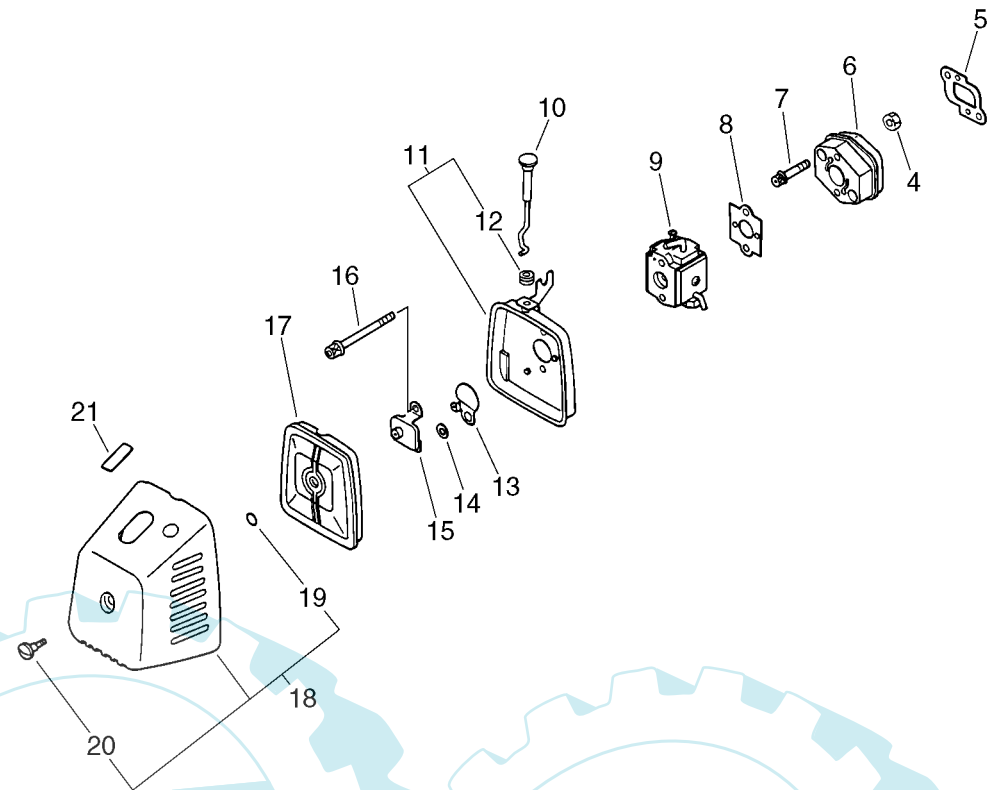


| Bild | | Artikelnummer | Anzahl | Beschreibung | Anmerkung |
|------|---|---------------|--------|-------------------|----------------------|
| 5 | | 177202-41030 | 1 | PAWL ASY, STARTER | |
| 6 | + | 900700-00004 | 1 | E-RING 4 | |
| 8 | + | 177234-40630 | 1 | SPRING, RETURN | |
| 9 | + | 177218-40630 | 1 | PAWL, STARTER | |
| 10 | | 900502-00008 | 1 | NUT 8 (3N) | |
| 11 | | 177200-43130 | 1 | STARTER ASY (BS) | Sus. by A051-000170 |
| 11 | | A051-000170 | 1 | STARTER, RECOIL | |
| 12 | + | 177236-40630 | 1 | SCREW | |
| 13 | + | 177214-41030 | 1 | WASHER | |
| 14 | + | 177215-43130 | 1 | DRUM, STARTER | |
| 15 | + | 177220-40630 | 1 | SPRING, REWIND | |
| 17 | + | 177226-01110 | 1 | ROPE, STARTER | |
| 18 | + | 177227-05530 | 1 | GUIDE, ROPE | Sus. by 177227-42030 |
| 18 | + | 177227-42030 | 1 | GUIDE, ROPE | |
| 19 | + | 177228-11120 | 1 | GRIP, STARTER | |
| 20 | | 900162-04020 | 4 | BOLT, H.S. 4*20 | |
| 21 | | 890118-49330 | 1 | LABEL, ECHO | |

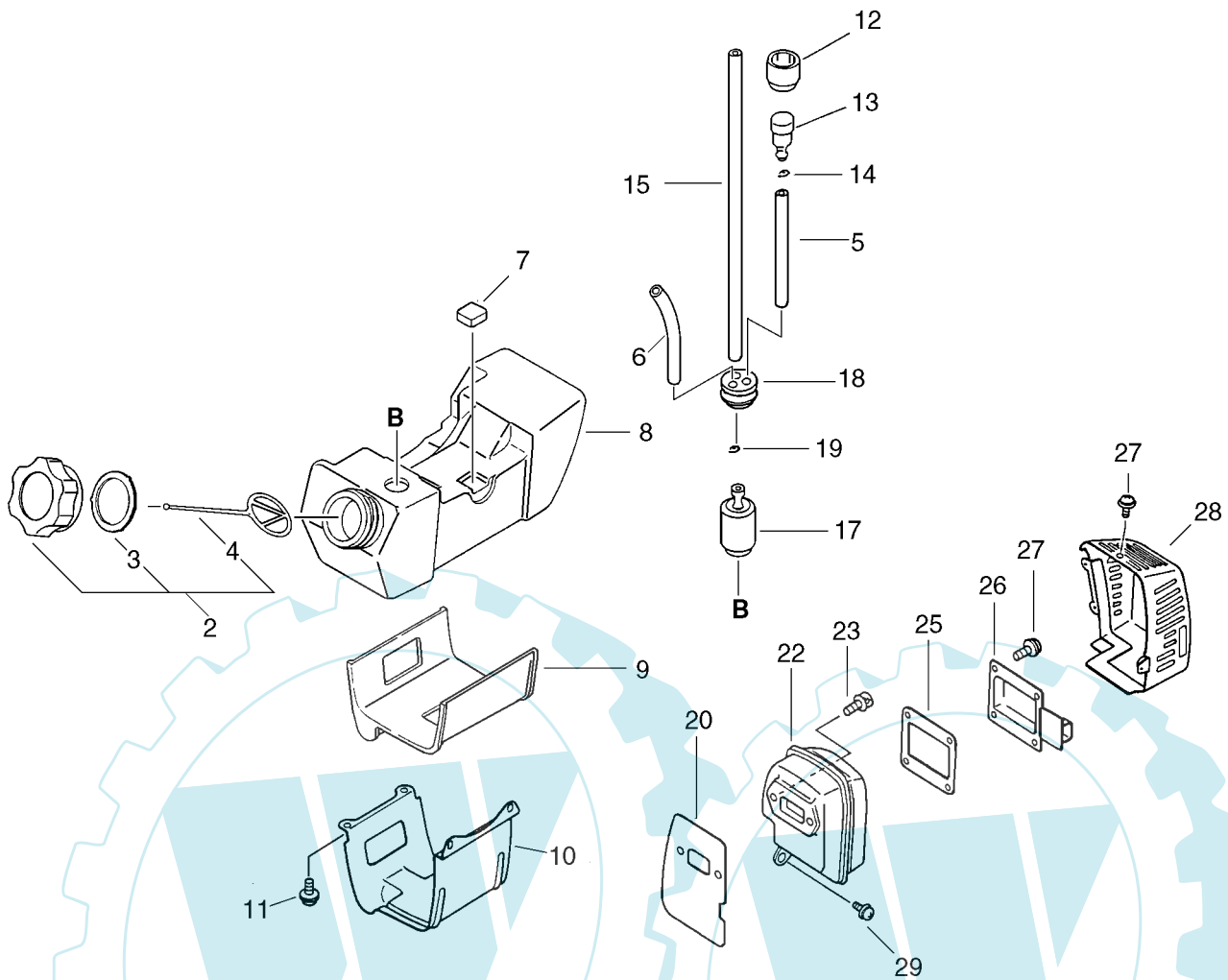


| Bild | Artikelnummer | Anzahl | Beschreibung | Anmerkung |
|-------|---------------|--------|----------------------|--|
| 1 | 159017-10230 | 1 | PLUG, SPARK (RCJ-7Y) | |
| 2 | 159011-03432 | 1 | COIL, SPARK PLUG CAP | |
| 3 | 159012-03433 | 1 | CAP, SPARK PLUG | |
| 4 | 156112-40630 | 1 | GROMMET | |
| 5 | 162021-42230 | 1 | LEAD | |
| 6 | 156635-43130 | 1 | LEAD, GROUND | |
| 7 | 900238-05010 | 1 | SCREW 5*10 | |
| 8 | 156626-42230 | 1 | COIL, IGNITION | Sus. by set of 156601-12920 and 900600-00006 |
| 8 | 156601-12920 | 1 | COIL, IGNITION | |
| 9 | 900238-05020 | 2 | SCREW 5*20 | |
| 10 | 156801-42230 | 1 | FLYWHEEL | |
| 11 | 900600-00010 | 1 | WASHER 10 | |
| 12 | 900605-00010 | 1 | WASHER, SPRING 10 | |
| 13 | 900503-00010 | 1 | NUT 10 (3N *1.25) | |
| 14 | 175049-03920 | 2 | WASHER | |
| 15 | 175009-42231 | 2 | SHOE, CLUTCH | |
| 16 | 175018-42230 | 1 | SPRING, CLUTCH | |
| 17 | 175048-03920 | 2 | WASHER | |
| 18 | 175046-06230 | 2 | BOLT, CLUTCH | |
| 19 | 175005-43130 | 1 | DRUM, CLUTCH | |
| 20 | 900702-00028 | 1 | CIRCLIP 28 | |
| 21 | 900807-06001 | 2 | BEARING, BALL 6001 | |
| 22 | 900701-00012 | 1 | CIRCLIP 12 | |
| 23 | 900162-05020 | 4 | BOLT, H.S. 5*20 | |
| 26 | 610910-40430 | 1 | CUSHION | Sr/Nr 004950 and before |
| 27 | 610903-40430 | 1 | HOLDER KIT | Sr/Nr 004950 and before |
| 30 + | 900142-05025 | 2 | BOLT, H.S. 5*25 | Sr/Nr 004950 and before |
| 25 | 610205-43130 | 1 | FLANGE (BS) | Sus. by 610203-43130 |
| 24 | 610203-43130 | 1 | FLANGE, ASY | |
| 25 + | 610205-43131 | 1 | FLANGE (BS) | Sr/Nr 004951 and after |
| 26 + | 610910-55630 | 1 | CUSHION | Sus. by 610910-51830 |
| 26 + | 610910-51830 | 1 | CUSHION | Sr/Nr 004951 and after |
| 27 + | P021-000150 | 1 | HOLDER KIT | Sr/Nr 004951 and after |
| 28 ++ | 610922-55630 | 1 | HOLDER, PIPE | Sr/Nr 004951 and after |
| 29 ++ | 610922-43130 | 1 | HOLDER, MAIN PIPE | Sr/Nr 004951 and after |
| 30 ++ | 900162-05025 | 2 | BOLT, 5*25 | Sr/Nr 004951 and after |
| 31 | 900600-00006 | 2 | WASHER 6 | |

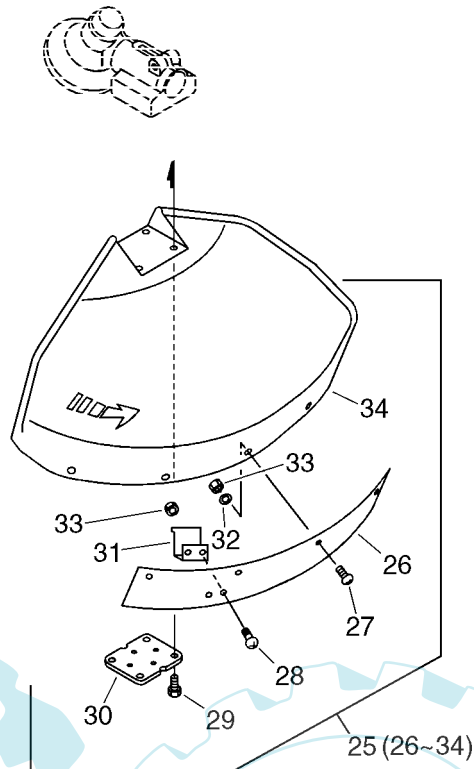
Ersatzteilliste SRM-3805



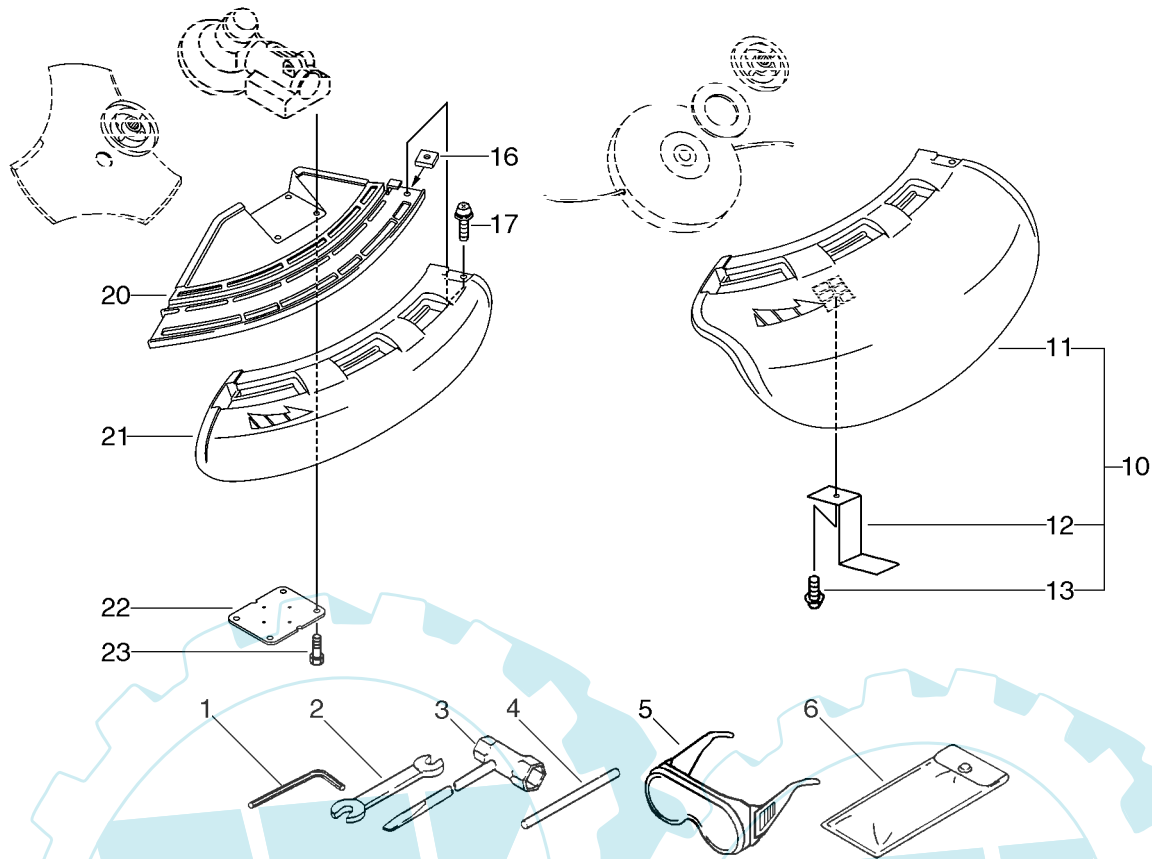
| Bild | Artikelnummer | Anzahl | Beschreibung | Anmerkung |
|------|----------------|--------|---------------------|-----------|
| 4 | 900500-00005 | 2 | NUT 5 | |
| 5 | 130016-42231 | 1 | GASKET, INTAKE | |
| 6 | 130017-43130 | 1 | INSULATOR | |
| 7 | 900162-05025 | 2 | BOLT, H.S. 5*25 | |
| 8 | 130016-06232 | 1 | GASKET, INTAKE | |
| 9 | 123000-51430 | 1 | CARBURETOR ASY | |
| 10 | 178510-47530 | 1 | ROD, CHOKE | |
| 11 | 130301-43130 | 1 | CASE, AIR CLEANER | |
| 12 | + 178810-05230 | 1 | GROMMET | |
| 13 | 178515-43130 | 1 | SHUTTER, CHOKE | |
| 14 | 178516-00830 | 2 | SPACER | |
| 15 | 129006-43130 | 1 | PLATE | |
| 16 | 900242-05057 | 2 | SCREW 5*57 | |
| 17 | 130310-43130 | 1 | FILTER, AIR | |
| 18 | 130302-43132 | 1 | COVER ASY, AIR CLN. | |
| 19 | + 900720-00004 | 1 | O-RING (P-4) | |
| 20 | + 130415-40630 | 1 | SCREW | |
| 21 | 890121-47530 | 1 | LABEL, CHOKE | |



| Bild | Artikelnummer | Anzahl | Beschreibung | Anmerkung |
|------|----------------|--------|-------------------------|-----------|
| 2 | 131004-55530 | 1 | CAP ASY, FUEL TANK | |
| 3 | + 131016-55830 | 1 | GASKET, FUEL CAP | |
| 4 | + 131051-56030 | 1 | CLIP, FUEL CAP | |
| 5 | 132010-51230 | 1 | PIPE | |
| 6 | 132010-56330 | 1 | PIPE 3*6*90 | |
| 7 | 131923-11120 | 3 | CUSHION | |
| 8 | 131010-46930 | 1 | TANK, FUEL | |
| 9 | 131924-43130 | 1 | CUSHION | |
| 10 | 131910-43130 | 1 | BRACKET, FUEL TANK (BL) | |
| 11 | 900238-05014 | 2 | SCREW 5*14 | |
| 12 | 131328-40630 | 1 | COVER, VENT | |
| 13 | 131300-56430 | 1 | VALVE, CHECK | |
| 14 | 130111-00530 | 1 | CLIP | |
| 15 | 132010-13930 | 1 | PIPE, FUEL | |
| 17 | 131205-19830 | 1 | STRAINER, FUEL | |
| 18 | 132115-46730 | 1 | GROMMET, FUEL | |
| 19 | 132013-09820 | 1 | CLIP | |
| 20 | 145510-42231 | 1 | GASKET, MUFFLER | |
| 22 | 145610-43130 | 1 | MUFFLER (BL) | |
| 23 | 900162-05020 | 2 | BOLT, H.S. 5*20 | |
| 25 | 145866-43131 | 1 | GASKET, MUFFLER LID | |
| 26 | 145867-43131 | 1 | LID, MUFFLER | |
| 27 | 900238-04010 | 7 | SCREW 4*10 | |
| 28 | 145871-43130 | 1 | COVER, MUFFLER | |
| 29 | 900238-05014 | 1 | SCREW 5*14 | |

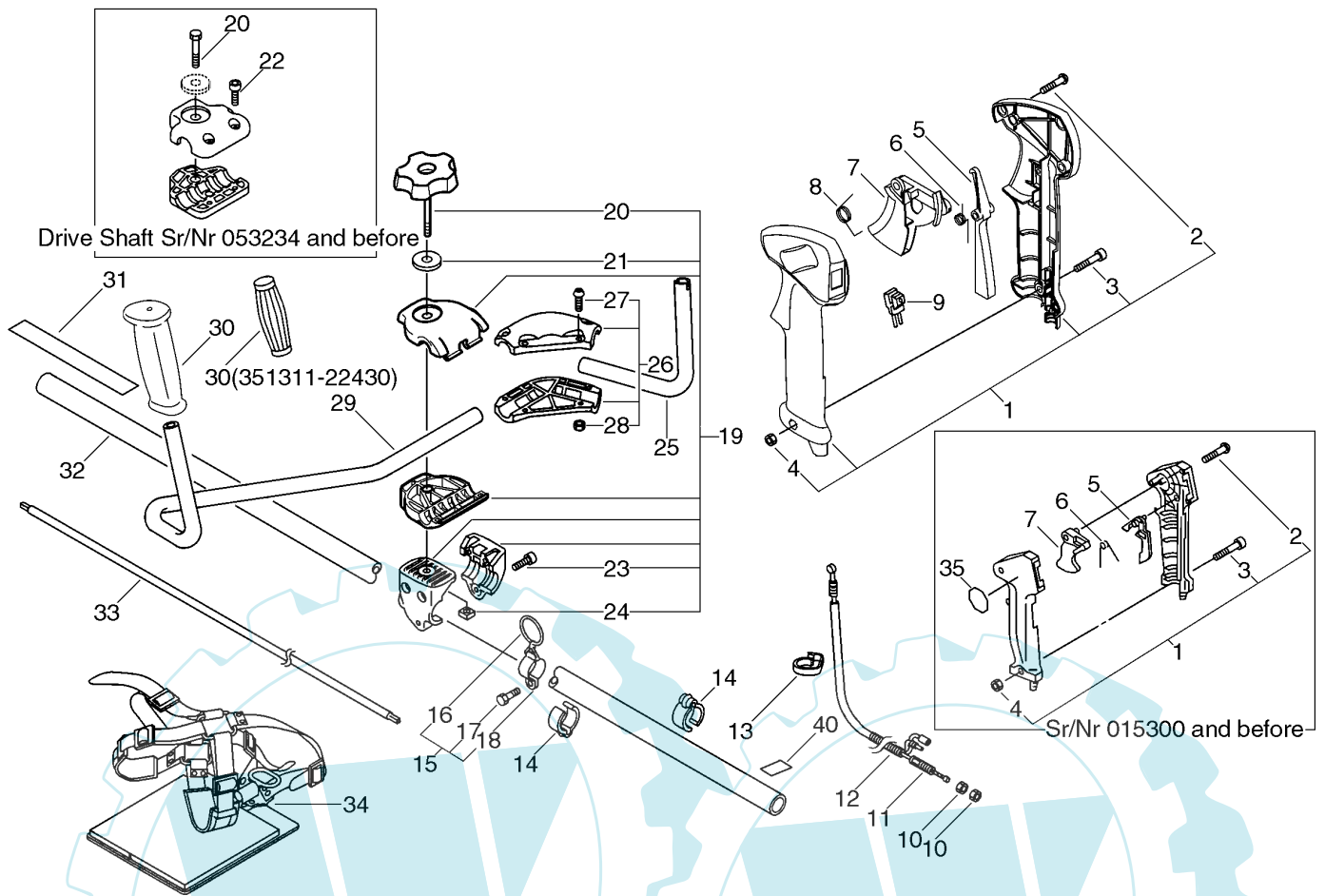


| Bild | Artikelnummer | Anzahl | Beschreibung | Anmerkung | |
|------|---------------|--------------|--------------|-------------------------------------|-------------------------------------|
| 25 | 699000-52930 | 1 | SHIELD ASY | Sus. by 699000-52931 | |
| 25 | 699000-52931 | 1 | SHIELD ASY | Drive Shaft Sr/Nr 049468 and before | |
| 26 | + | 699013-52130 | 1 | PLATE, SHIELD | Drive Shaft Sr/Nr 049468 and before |
| 27 | + | 900162-05018 | 4 | BOLT, H.S. 5*18 | Drive Shaft Sr/Nr 049468 and before |
| 28 | + | 900162-05014 | 2 | BOLT, H.S. 5*14 | Drive Shaft Sr/Nr 049468 and before |
| 29 | + | 900162-05025 | 4 | BOLT, H.S. 5*25 | |
| 30 | + | 699013-56830 | 1 | PLATE, SHIELD | |
| 31 | + | 699016-52130 | 1 | KNIFE, CORD | Sus. by 699016-54530 |
| 31 | + | 699016-54530 | 1 | KNIFE, CORD | Drive Shaft Sr/Nr 049468 and before |
| 32 | + | 900603-00005 | 4 | WASHER 5 | Drive Shaft Sr/Nr 049468 and before |
| 33 | + | 900500-00005 | 6 | NUT 5 | Drive Shaft Sr/Nr 049468 and before |
| 34 | + | 699010-52930 | 1 | SHIELD, BLADE | Sus. by 699010-52931 |
| 34 | + | 699010-52931 | 1 | SHIELD, BLADE | Drive Shaft Sr/Nr 049468 and before |

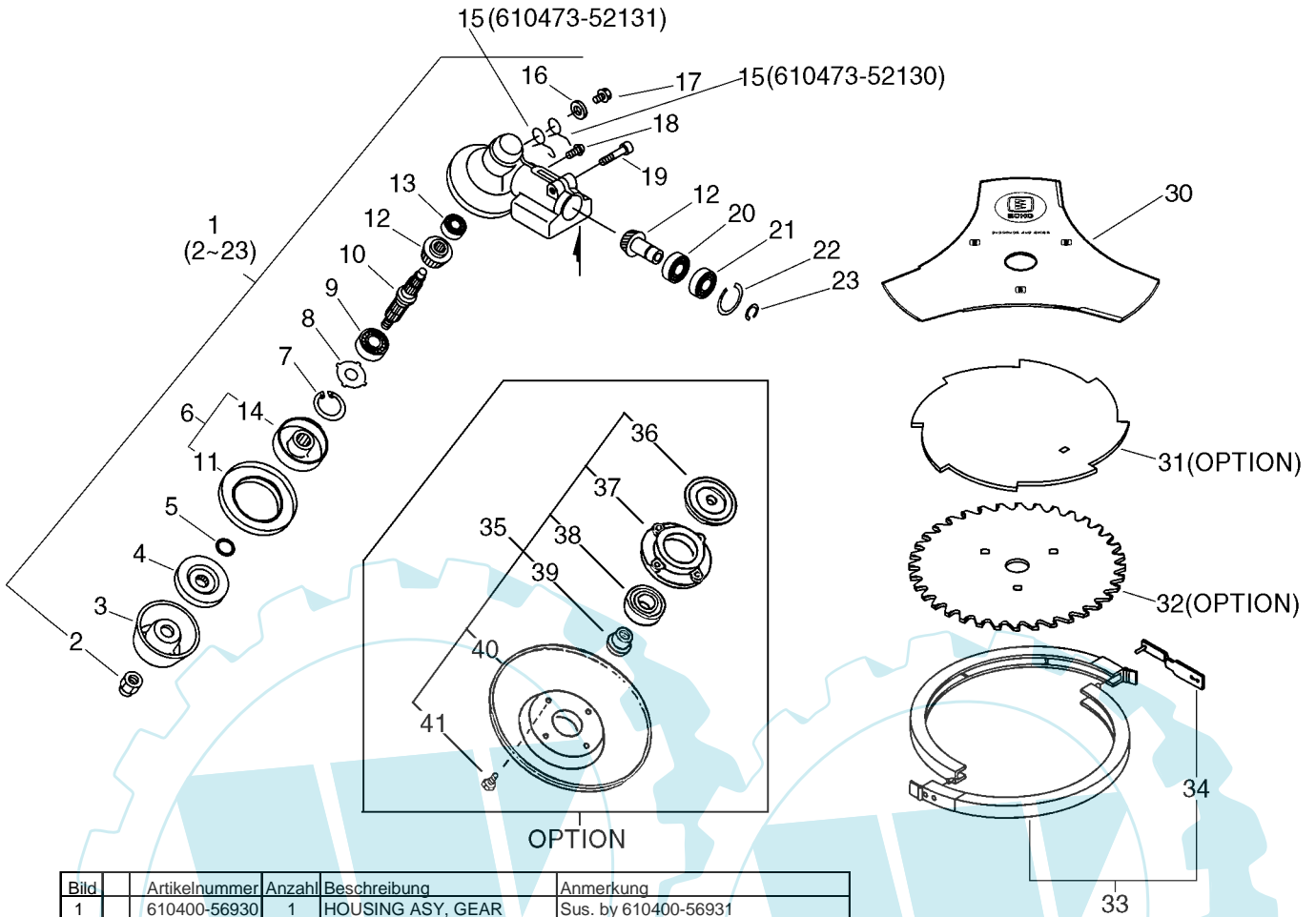


| Bild | Artikelnummer | Anzahl | Beschreibung | Anmerkung |
|------|----------------|--------|-------------------------|------------------------------------|
| 1 | 895610-00130 | 1 | L-WRENCH (4MM) | |
| 2 | 895112-00330 | 1 | SPANNER 8*10 | |
| 3 | 895410-08030 | 1 | WRENCH, W/S. DRIVER | |
| 4 | 897518-01131 | 1 | LOCKING TOOL | |
| 5 | 899580-40930 | 1 | GOGGLE | Sus. by 899580-68730 |
| 5 | 899580-68730 | 1 | SAFETY GLASSES | |
| 6 | 898510-39130 | 1 | BAG, TOOL | |
| 10 | P021-002620 | 1 | SHIELD, BLADE (W/KNIFE) | Drive Shaft Sr/Nr 049469 and after |
| 11 | + C550-000080 | 1 | SHIELD, BLADE | Drive Shaft Sr/Nr 049469 and after |
| 12 | + C554-000000 | 1 | KNIFE, CORD | Drive Shaft Sr/Nr 049469 and after |
| 13 | + 900252-05012 | 1 | SCREW 5*12 | Drive Shaft Sr/Nr 049469 and after |
| 16 | 900565-00005 | 1 | NUT | Drive Shaft Sr/Nr 049469 and after |
| 17 | 900242-05018 | 1 | SCREW 5*18 | Drive Shaft Sr/Nr 049469 and after |
| 20 | C550-000100 | 1 | SHIELD, BLADE | Drive Shaft Sr/Nr 049469 and after |
| 21 | C550-000090 | 1 | SHIELD, BLADE | Drive Shaft Sr/Nr 049469 and after |
| 22 | 699013-56830 | 1 | PLATE, SHIELD | |
| 23 | 900162-05025 | 4 | BOLT, H.S. 5*25 | |

Ersatzteilliste SRM-3805

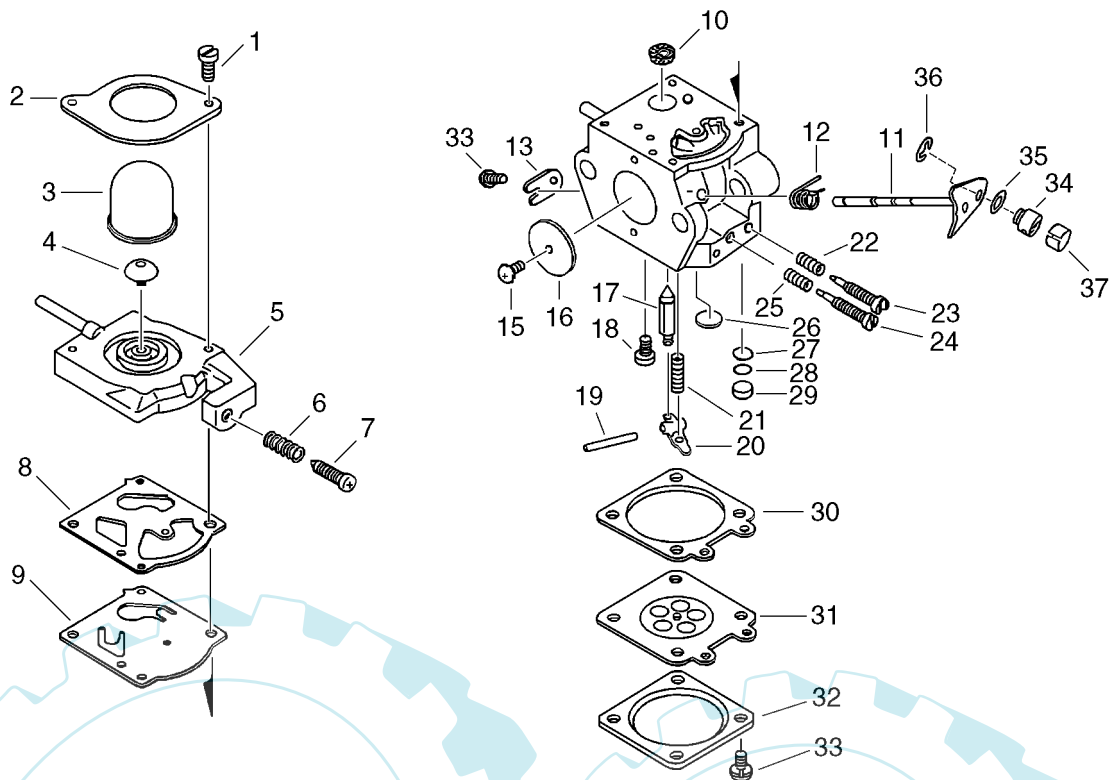


| Bild | Artikelnummer | Anzahl | Beschreibung | Anmerkung | Bild | Artikelnummer | Anzahl | Beschreibung | Anmerkung |
|------|---------------|--------|--------------------|-------------------------|------|---------------|--------|-----------------------|-------------------------------------|
| 1 | 351102-47530 | 1 | GRIP ASY, F-HANDLE | Sr/Nr 015300 and before | 19 | 351301-52930 | 1 | BRACKET ASY, HANDLE | Drive Shaft Sr/Nr 053234 and before |
| 1 | P021-002610 | 1 | GRIP ASY, F-HANDLE | Sr/Nr 015301 and after | 19 | P021-002760 | 1 | BRACKET ASY, HANDLE | Drive Shaft Sr/Nr 053235 and after |
| 2 + | 900246-03025 | 4 | SCREW 3*25 | Sr/Nr 015300 and before | 20 + | 351421-52130 | 1 | BOLT | Drive Shaft Sr/Nr 053234 and before |
| 2 + | 900246-04016 | 3 | SCREW 4*16 | Sus. by 900253-04016 | 20 + | V299-000110 | 1 | KNOB, FASTENER | Drive Shaft Sr/Nr 053235 and after |
| 2 + | 900253-04016 | 3 | SCREW 4*16 | Sr/Nr 015301 and after | 21 + | 605014-54230 | 1 | WASHER | |
| 3 + | 900220-05030 | 1 | SCREW 5*30 | | 22 + | 900162-05020 | 2 | BOLT, H.S. 5*20 | Drive Shaft Sr/Nr 053234 and before |
| 4 + | 900500-00005 | 1 | NUT 5 | | 23 + | 900162-05030 | 3 | BOLT, H.S. 5*30 | |
| 5 | 178012-05960 | 1 | LOCKOUT, THROTTLE | Sr/Nr 015300 and before | 24 + | 900565-50008 | 1 | NUT | |
| 5 | C460-000010 | 1 | LOCKOUT, THROTTLE | Sr/Nr 015301 and after | 25 | 351214-52930 | 1 | HANDLE | Sus. by 351214-52931 |
| 6 | 178013-35631 | 1 | SPRING, THR. LOCK | Sr/Nr 015300 and before | 25 | 351214-52931 | 1 | HANDLE | |
| 6 | V452-000050 | 1 | SPRING, TORSION | Sr/Nr 015301 and after | 26 | 351202-51430 | 1 | BRACKET ASY, HANDLE | |
| 7 | 178010-05960 | 1 | CONTROL, THROTTLE | Sr/Nr 015300 and before | 27 + | 900162-05020 | 4 | BOLT, H.S. 5*20 | |
| 7 | C450-000020 | 1 | TRIGGER, THROTTLE | Sr/Nr 015301 and after | 28 + | 900500-00005 | 4 | NUT 5 | |
| 8 | V452-000060 | 1 | SPRING, TORSION | Sr/Nr 015301 and after | 29 | 351010-52930 | 1 | HANDLE, FRONT | Sus. by 351210-52931 |
| 9 | 163401-43130 | 1 | SWITCH, IGNITION | | 29 | 351010-52931 | 1 | HANDLE, FRONT | |
| 10 | 900502-00006 | 2 | NUT 6 (3N) | | 30 | 351311-22430 | 1 | GRIP, HANDLE | Drive Shaft Sr/Nr 049468 and before |
| 11 | 178001-43230 | 1 | WIRE, THROTTLE | Sr/Nr 015300 and before | 30 | C403-000030 | 1 | GRIP, HANDLE | Drive Shaft Sr/Nr 049469 and after |
| 11 | V430-000400 | 1 | CABLE, BOWDEN | Sr/Nr 015301 and after | 31 | 890617-46830 | 1 | LABEL, CAUTION | Sus. by 890617-43130 |
| 12 | 178127-43230 | 1 | TUBE | | 31 | 890617-43130 | 1 | LABEL, CAUTION | |
| 13 | 159112-09960 | 1 | CLIP | | 32 | 610206-43130 | 1 | HOUSING ASY, D.SHFT | |
| 14 | 224924-52930 | 2 | CLIP | | 33 | 610011-06230 | 1 | SHAFT, DRIVE | |
| 15 | 301200-05230 | 1 | HOOK ASY | | 34 | 301001-56830 | 1 | HARNESS, SHOULDER | Sus. by 301001-56831 |
| 16 + | 301015-05330 | 1 | HOOK, BAND | | 34 | 301001-56831 | 1 | HARNESS ASY, SHOULDER | |
| 17 + | 900105-05012 | 1 | BOLT, H.S. 5*12 | | 35 | 890157-39130 | 1 | LABEL, SWITCH | Sr/Nr 015300 and before |
| 18 + | 301210-04630 | 1 | HOOK | | 40 | 890152-04930 | 1 | LABEL, CAUTION | |



| Bild | Artikelnummer | Anzahl | Beschreibung | Anmerkung |
|-------|---------------|--------|----------------------|-------------------------------------|
| 1 | 610400-56930 | 1 | HOUSING ASY, GEAR | Sus. by 610400-56931 |
| 1 | 610400-56931 | 1 | HOUSING ASY, GEAR | |
| 2 + | 610320-52130 | 1 | NUT 10 | |
| 3 + | 699229-56830 | 1 | PLATE, COVER | |
| 4 + | 610314-52130 | 1 | PLATE, ADAPTER (L) | |
| 5 + | 900720-00012 | 1 | O-RING 12 | |
| 6 + | 610313-52930 | 1 | PLATE, ADAPTER (U) | Sus. by C535-000000 |
| 6 + | C535-000000 | 1 | FIXTURE, BRADE | |
| 11 ++ | 610352-56830 | 1 | PLATE, CUP | |
| 14 ++ | C535-000010 | 1 | FIXTURE, BRADE | |
| 7 + | 900702-00032 | 1 | CIRCLIP 32 | |
| 8 + | 610444-56830 | 1 | WASHER | |
| 9 + | 900812-06201 | 1 | BEARING, BALL 6201 | |
| 10 + | 610310-56930 | 1 | SHAFT, P.T.O. | |
| 12 + | 610300-56930 | 1 | GEAR SET | |
| 13 + | 900810-00629 | 1 | BEARING, BALL 629 | |
| 15 + | 610473-52130 | 1 | SPRING, TORSION | Drive Shaft Sr/Nr 024886 and before |
| 15 + | 610473-52131 | 1 | SPRING, TORSION | Drive Shaft Sr/Nr 024887 and after |
| 16 + | 900603-50008 | 1 | WASHER | |
| 17 + | 610434-50030 | 1 | BOLT 8* 6 | Sus. by 610434-50031 |
| 17 + | 610434-50031 | 1 | BOLT 8* 8 | |
| 18 + | 900242-05010 | 1 | SCREW 5*10 | |
| 19 + | 900162-06030 | 1 | BOLT, H.S. 6*30 | |
| 20 + | 900800-06001 | 1 | BEARING, BALL 6001 | |
| 21 + | 900807-06001 | 1 | BEARING, BALL 6001 | Drive Shaft Sr/Nr 024886 and before |
| 21 + | 900803-06001 | 1 | BEARING, BALL 6001 | Drive Shaft Sr/Nr 024887 and after |
| 22 + | 900702-00028 | 1 | CIRCLIP 28 | |
| 23 + | 900701-00012 | 1 | CIRCLIP 12 | |
| 30 | X405-000000 | 1 | SAW,BUSH CUTTER | |
| 33 | 898503-50030 | 1 | SCABBARD KIT, BLADE | |
| 34 + | 898562-43230 | 1 | FIXTURE, SCABBARD | |
| 31 | 696001-55630 | 1 | BLADE, 8-CUTTER 10IN | OPTION |
| 32 | 695001-55630 | 1 | SAW,CIRCULAR 10*80T | OPTION |
| 35 | 699200-56830 | 1 | CAP ASY, FREE | OPTION |
| 36 + | 610313-56830 | 1 | PLATE, ADAPTER (U) | OPTION |
| 37 + | 699226-05430 | 1 | HOLDER, BEARING | OPTION |
| 38 + | 900814-06202 | 1 | BEARING, BALL 6202 | OPTION |
| 39 + | 699227-04630 | 1 | NUT | OPTION |
| 40 + | 699228-08930 | 1 | PLATE, COVER | OPTION |
| 41 + | 900141-05012 | 4 | BOLT 5*12 | OPTION |

Ersatzteilliste SRM-3805



| Bild | Artikelnummer | Anzahl | Beschreibung | Anmerkung |
|------|---------------|--------|----------------------|-------------------------|
| | 123000-51430 | 1 | CARBURETOR ASY | |
| 1 + | 123110-43130 | 2 | SCREW | |
| 2 + | 123142-09560 | 1 | COVER, PRIMER PUMP | |
| 3 + | 123181-09560 | 1 | PUMP, PRIMER | |
| 4 + | 123171-35630 | 1 | VALVE, CHECK | |
| 5 + | 123124-43130 | 1 | COVER, FUEL PUMP | |
| 6 + | 123133-04260 | 1 | SPRING, IDLE ADJUST | |
| 7 + | 123134-04260 | 1 | SCREW, IDLE ADJUST | |
| 8 + | 123125-09560 | 1 | GASKET, FUEL PUMP | |
| 9 + | 123112-09560 | 1 | DIAPHRAGM, FUEL PUMP | |
| 10 + | 123126-10631 | 1 | SCREEN, INLET | |
| 11 + | 123117-05020 | 1 | SHAFT, THROTTLE | |
| 12 + | 123113-15030 | 1 | SPRING, THRT. RETURN | |
| 13 + | 123127-03930 | 1 | CLIP, THROTTLE SHAFT | |
| 15 + | 123114-03930 | 1 | SCREW | Sr/Nr 002319 and before |
| 15 + | 123114-38830 | 1 | SCREW | Sr/Nr 002320 and after |
| 16 + | 123116-10530 | 1 | VALVE, THROTTLE | |
| 17 + | 123137-04260 | 1 | VALVE, INLET NEEDLE | |
| 18 + | 123139-03930 | 1 | SCREW, M. LEVER PIN | |
| 19 + | 123138-03930 | 1 | PIN, METERING LEVER | |
| 20 + | 123123-03930 | 1 | LEVER, METERING | |
| 21 + | 123122-06530 | 1 | SPRING, METER. LEVER | |
| 22 + | 123119-22130 | 1 | SPRING, NEEDLE | |
| 23 + | 123120-51430 | 1 | NEEDLE, HIGH SPEED | |
| 24 + | 123118-37330 | 1 | NEEDLE, IDLE | |
| 25 + | 123121-22130 | 1 | SPRING, NEEDLE | |
| 26 + | 123146-10631 | 1 | PLUG, WELCH | |
| 27 + | 123168-10631 | 1 | SCREEN | |
| 28 + | 123169-10630 | 1 | RING, RETAINING | |
| 29 + | 123146-17330 | 1 | PLUG, CUP | |
| 30 + | 123140-03930 | 1 | GASKET, M. DIAPHRAGM | |
| 31 + | 123141-03930 | 1 | DIAPHRAGM, METERING | |
| 32 + | 123142-03930 | 1 | COVER, M. DIAPHRAGM | |
| 33 + | 123130-02960 | 5 | SCREW | |
| 34 + | 123172-26030 | 1 | SWIVEL | |
| 35 + | 123149-26030 | 1 | WASHER | |
| 36 + | 123173-07930 | 1 | CLIP | |
| 37 | 101121-56430 | 1 | SPRING, FLAT | |

ECHO®

Motorgeräte

die geh'n ran

