

ERSATZTEILLISTE

**ECHO Motorsense
SRM-320
SRM-350**

ECHO-Motorgeräte
Vertrieb Deutschland GmbH
Otto-Schott-Str. 7

72555 Metzingen

Telefon 07123-1091
Telefax 07123-2589
<http://www.echo-shop.de>
email: info@echo-shop.de



Ersatzteilliste SRM-320, SRM-350

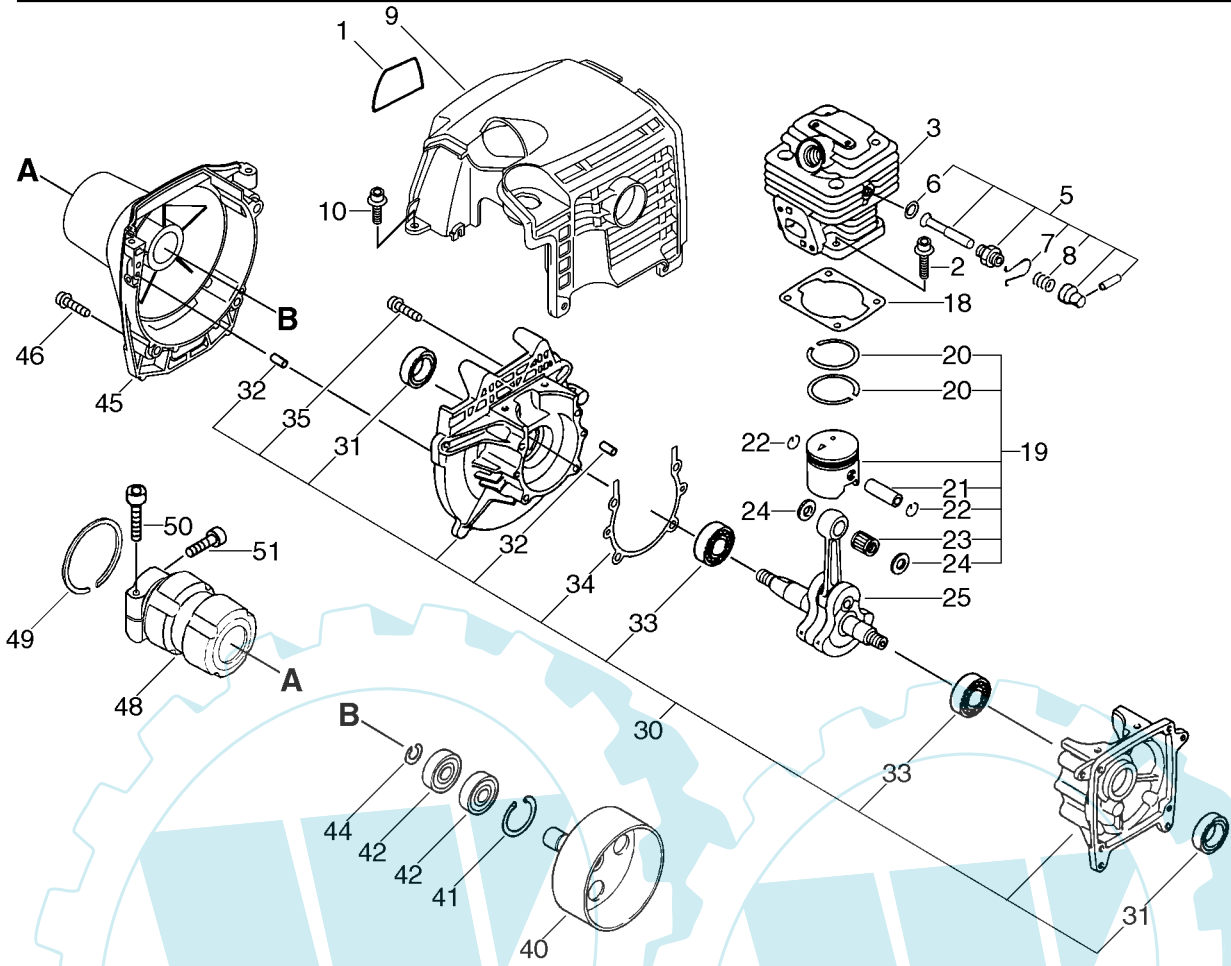


Bild	Artikelnummer	Anzahl	Beschreibung	Anmerkung	Bild	Artikelnummer	Anzahl	Beschreibung	Anmerkung
1	X503-003190	1	LABEL,MODEL	SRM-320	22 +	100015-03931	2	CIRCLIP, PISTON PIN	
1	X503-003200	1	LABEL,MODEL	SRM-350	23 +	100012-16131	1	BEARING, NEEDLE	
2	900162-05020	4	BOLT, H.S. 5*20		24 +	100014-53630	2	SPACER, PISTON PIN	
3	A130-000320	1	CYLINDER	SRM-320	25	100100-55430	1	CRANKSHAFT ASSY	
3	A130-000330	1	CYLINDER	SRM-350	30	100204-55430	1	CRANKCASE KIT	
5	101100-37530	1	RELEASE ASSY, COMP.		31 +	100213-05530	2	OILSEAL	
6 +	159025-37530	1	GASKET		32 +	100215-03930	4	PIN, DOWEL	
7 +	101119-37530	1	CLIP		33 +	94035-36201	2	BEARING BALL	
8 +	101113-37530	1	SPRING		34 +	100242-55430	1	GASKET, CRANKCASE	
9	A160-000390	1	COVER,CYLINDER		35 +	900162-05030	4	BOLT, H.S. 5*30	
10	900106-05012	2	BOLT, H.S. 5*12		40	175005-49930	1	DRUM, CLUTCH	
18	101010-55430	1	GASKET, CYL. BASE		41	900702-00028	1	CIRCLIP 28	
19	P021-003080	1	PISTON KIT	SRM-320	42	900807-06001	2	BEARING, BALL 6001	
19	100000-55831	1	PISTON KIT	SRM-350	44	900701-00012	1	CIRCLIP 12	
20 +	100011-16131	2	RING, PISTON	SRM-320	45	A172-000260	1	COVER,FAN	
20 +	100011-42230	2	RING, PISTON	SRM-350	46	900162-05020	4	BOLT, H.S. 5*20	
21 +	100013-27430	1	PIN, PISTON		48	V420-000420	1	CUSHION	
					49	900702-00045	1	RING, RETAINING(IN)	
					50	900162-05028	1	BOLT, H.S. 5*28	
					51	900162-05012	1	BOLT, H.S. 5*12	

Ersatzteilliste SRM-320, SRM-350

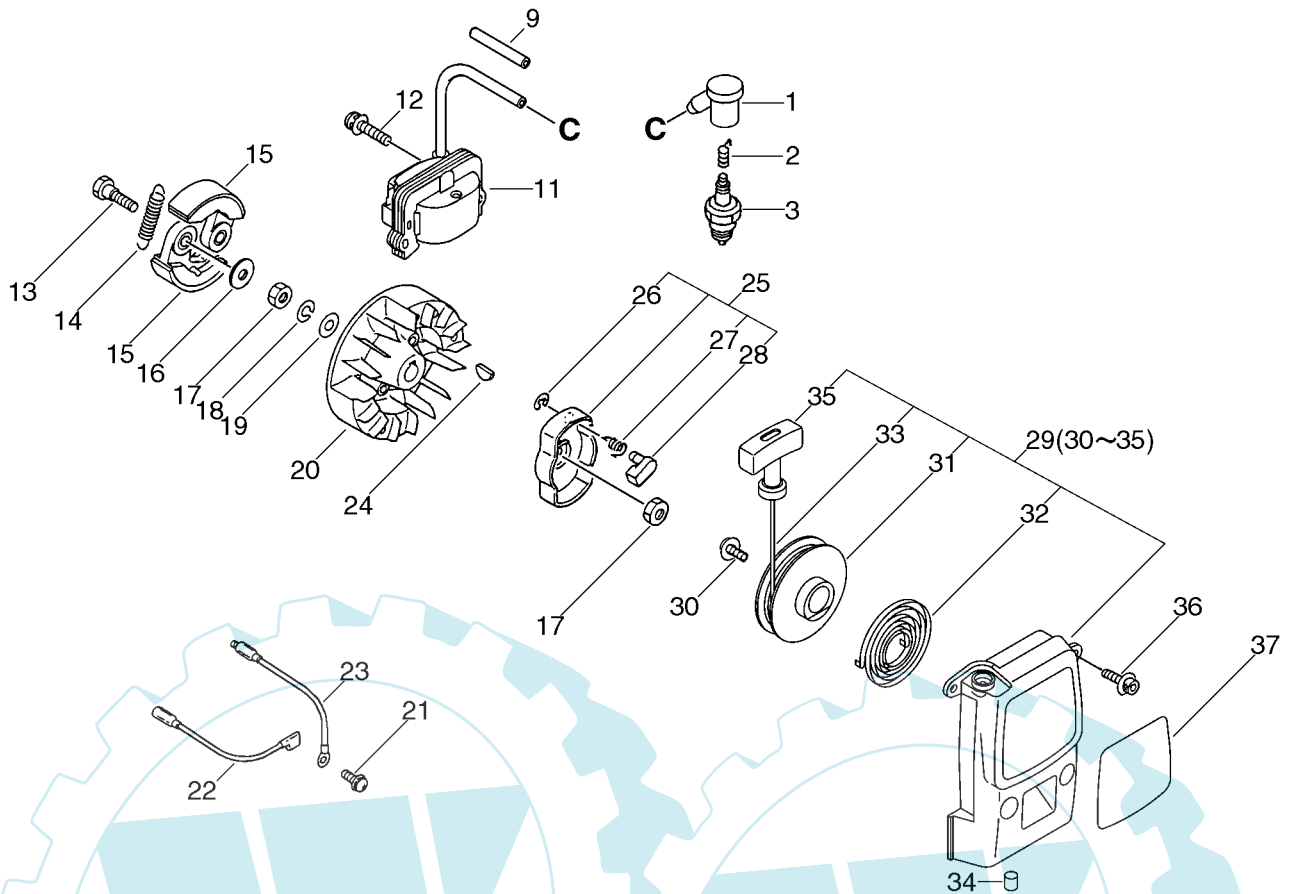


Bild	Artikelnummer	Anzahl	Beschreibung	Anmerkung
1	A427-000000	1	CAP, SPARK PLUG	
2	A426-000000	1	TERMINAL, SPARKPLUG	
3	159010-10230	1	PLUG, SPARK (BPMR-7A)	
9	437412-16430	1	TUBE, PROTECTOR	
11	152626-55730	1	COIL, IGNITION	
12	900162-05020	2	BOLT, H.S. 5*20	
13	175046-46430	2	BOLT, CLUTCH	
14	175018-49931	1	SPRING, CLUTCH	
15	A553-000000	2	ARM, CLUTCH	
16	175048-05530	2	WASHER (I)	
17	900502-00008	2	NUT 8 (3N)	
18	900605-00008	1	WASHER, SPRING 8	
19	900600-00008	1	WASHER 8	
20	152801-55430	1	ROTOR, MAGNET	
21	900238-05010	1	SCREW 5*10	
22	V485-000230	1	LEAD	
23	V485-000240	1	LEAD	
24	100142-12330	1	KEY, WOODRUFF	
25	177202-41030	1	PAWL ASSY, STARTER	
26	+ 900700-00004	1	E-RING 4	
27	+ 177234-40630	1	SPRING, RETURN	
28	+ 177218-40630	1	PAWL, STARTER	
29	A051-000280	1	STARTER, RECOIL	
30	+ 177236-44330	1	SCREW	
31	+ 177215-43130	1	DRUM, STARTER	
32	+ 177220-40630	1	SPRING, REWIND	
33	+ P022-005090	1	ROPE, STARTER	
34	+ V354-000110	1	COLLAR, 6	
35	+ 177228-27030	1	GRIP, STARTER	
36	900106-05016	4	BOLT, H.S. 5*16	
37	X502-000070	1	LABEL, ECHO	

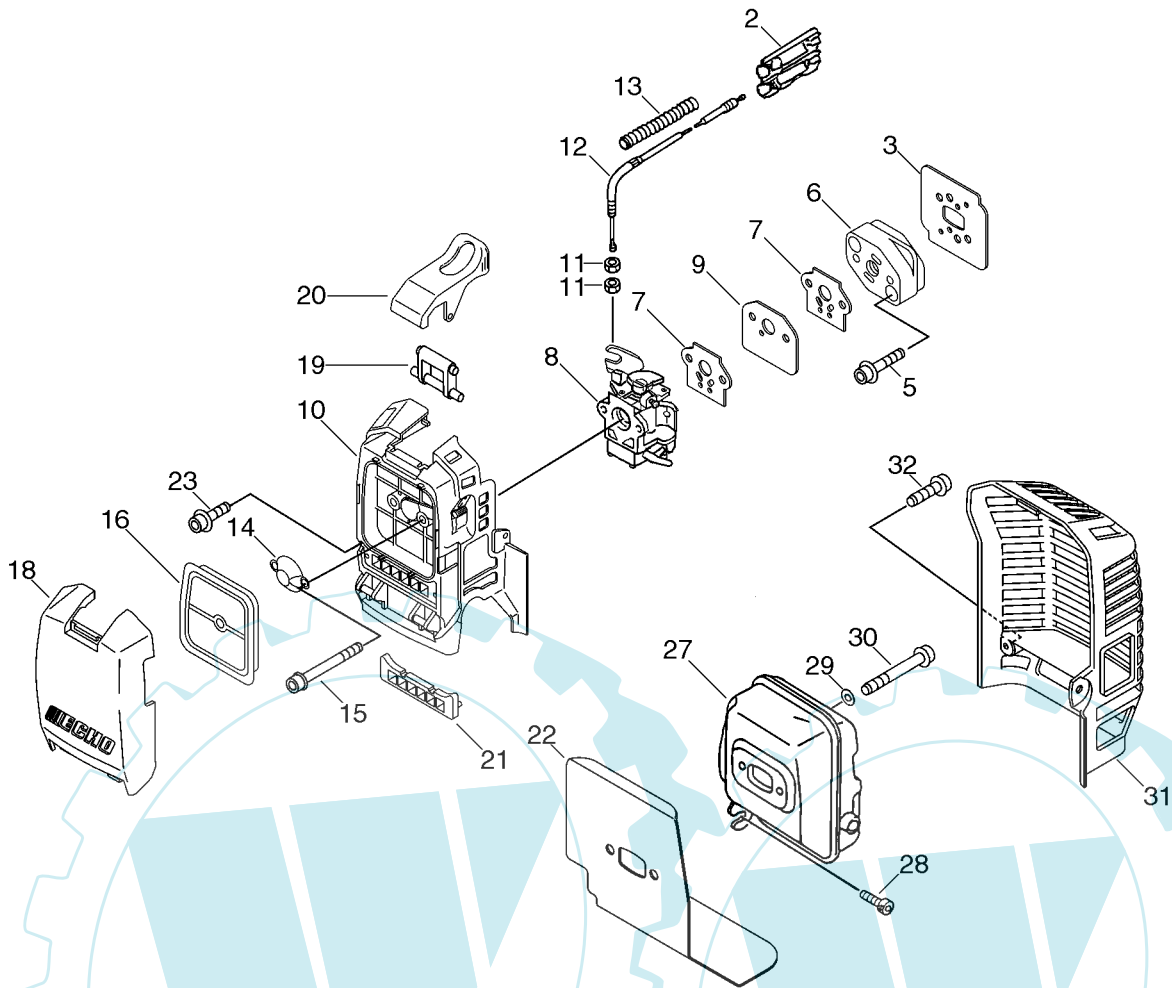


Bild	Artikelnummer	Anzahl	Beschreibung	Anmerkung
2	178081-55931	1	CONNECTOR,CABLE	
3	V103-000150	1	GASKET,INTAKE	
5	900162-05025	2	BOLT, H.S. 5*25	
6	A200-000090	1	INSULATOR,INTAKE	
7	V103-000160	2	GASKET,INTAKE	
8	A021-000420	1	CARBURETOR,DIAPHRAGM	SRM-320
8	A021-000430	1	CARBURETOR,DIAPHRAGM	SRM-350
9	A200-000100	1	INSULATOR,INTAKE	
10	P021-004280	1	CASE,AIR CLEANER	
11	900502-00006	2	NUT 6 (3N)	
12	V430-000540	1	CABLE,BOWDEN	
13	V475-002210	1	TUBE	
14	A244-000010	1	PLATE,PREVENT	
15	900105-05060	2	BOLT, H.S. 5*60	
16	A226-000140	1	ELEMENT,AIR FILTER	
18	A232-000150	1	LID,CLEANER	
19	J485-000030	1	HINGE	
20	A235-000100	1	KNOB,CLEANER LID	
21	V420-000640	1	CUSHION	
22	V104-000330	1	GASKET,EXHAUST	
23	900106-05012	1	BOLT, H.S. 5*12	
27	145610-55230	1	MUFFLER	
28	900162-05012	1	BOLT, H.S. 5*12	
29	900600-00005	2	WASHER 5	
30	900105-05060	2	BOLT, H.S. 5*60	
31	A320-000130	1	COVER,MUFFLER	
32	900106-05012	1	BOLT, H.S. 5*12	

Ersatzteilliste SRM-320, SRM-350

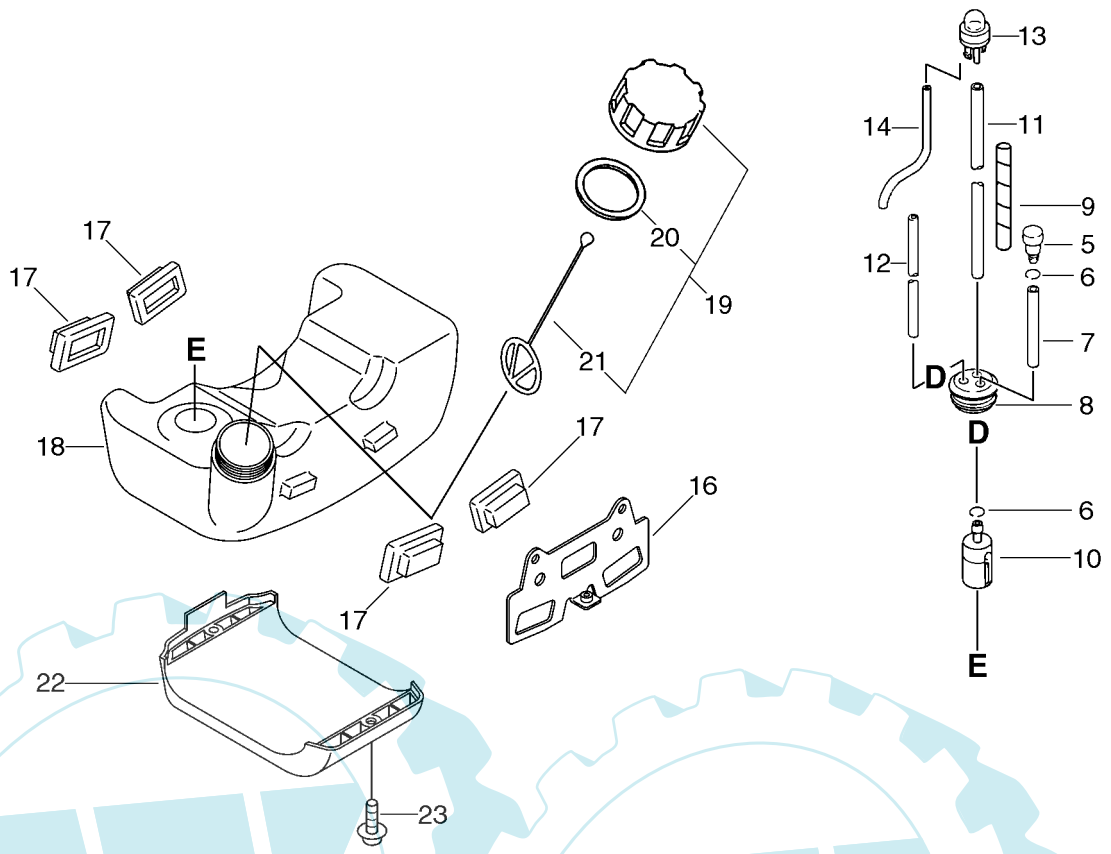


Bild	Artikelnummer	Anzahl	Beschreibung	Anmerkung
5	131300-56430	1	VALVE, CHECK	
6	132013-26630	2	CLIP	
7	132010-21160	1	PIPE, FUEL	
8	132115-55930	1	GROMMET, FUEL	
9	V475-002240	1	TUBE	
10	131205-14930	1	STRAINER, FUEL	
11	132010-22130	1	PIPE, FUEL	
12	132010-53630	1	PIPE	
13	123181-39130	1	PUMP, PRINER	
14	V471-000640	1	PIPE	
16	A393-000060	1	BRACKET, FUEL TANK	
17	131920-55430	4	CUSHION, FUEL TANK	
18	A350-000200	1	TANK, FUEL	
19	P021-004290	1	CAP ASY, FUEL TANK	
20	+ 131016-55830	1	GASKET, FUEL CAP	
21	+ A365-000020	1	CONNECTOR, CAP	
22	A175-000010	1	STAND	
23	900106-05014	2	BOLT, H.S. 5*14	

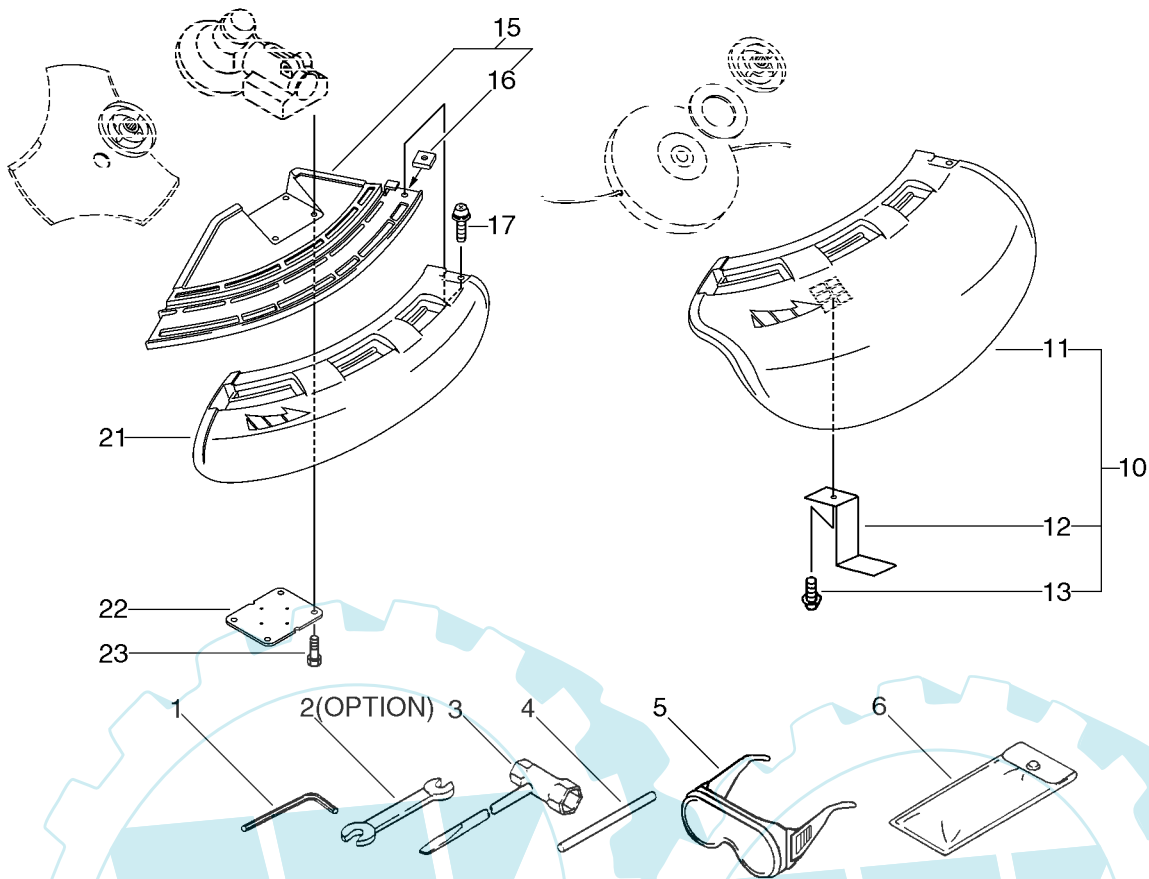


Bild	Artikelnummer	Anzahl	Beschreibung	Anmerkung
1	895610-00130	1	L-WRENCH (4MM)	
2	895112-00330	1	SPANNER 8*10	OPTION
3	895410-08030	1	WRENCH, W/S. DRIVER	
4	897518-01131	1	LOCKING TOOL	
5	899580-68730	1	SAFETY GLASSES	
6	898510-39130	1	BAG, TOOL	
10	P021-002620	1	SHIELD, BLADE (W/KNIFE)	
11	+ C550-000080	1	SHIELD, BLADE	
12	+ C554-000000	1	KNIFE, CORD	
13	+ 900252-05012	1	SCREW 5*12	
15	C550-000100	1	SHIELD, BLADE	
16	+ 900565-00005	1	NUT	
17	900242-05018	1	SCREW 5*18	
21	C550-000090	1	SHIELD, BLADE	
22	699013-56830	1	PLATE, SHIELD	
23	900162-05025	4	BOLT, H.S. 5*25	

Ersatzteilliste SRM-320, SRM-350

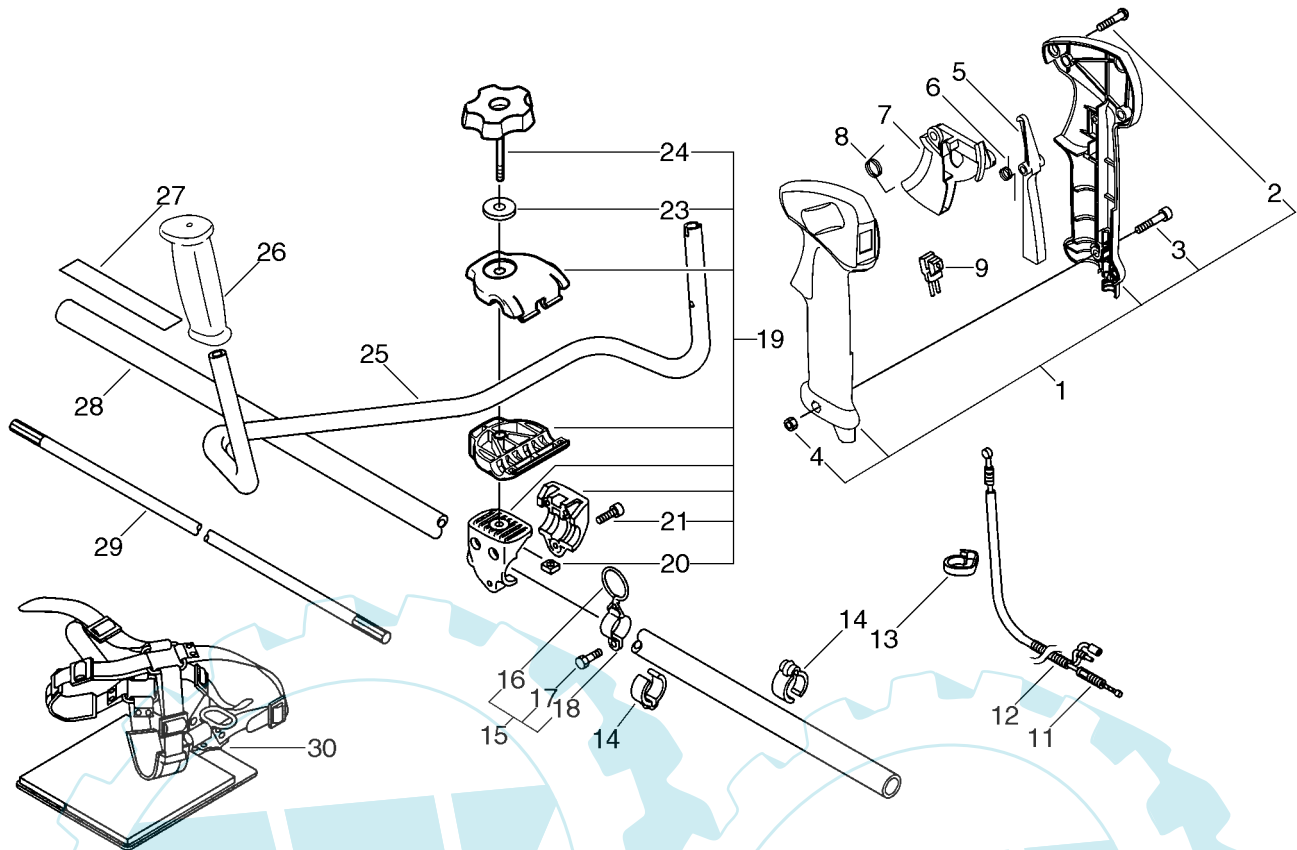


Bild		Artikelnummer	Anzahl	Beschreibung	Anmerkung
1		P021-002610	1	GRIP ASY,F-HANDLE	SRM-320
2	+	900253-04016	3	SCREW 4*16	SRM-320
3	+	900220-05030	1	SCREW 5*30	SRM-320
4	+	900500-00005	1	NUT 5	SRM-320
5		C460-000010	1	LOCKOUT,THROTTLE	SRM-320
6		V452-000050	1	SPRING,TORSION	SRM-320
7		C450-000020	1	TRIGGER,THROTTLE	SRM-320
8		V452-000060	1	SPRING,TORSION	SRM-320
9		A440-000400	1	SWITCH,ON OFF	SRM-320
11		V430-000560	1	CABLE,BOWDEN	SRM-320
12		V475-002220	1	TUBE	SRM-320
13		159112-09960	1	CLIP	SRM-320
14		224924-52930	2	CLIP	SRM-320
15		301200-05230	1	HOOK ASS'Y	SRM-320
16	+	301015-05330	1	HOOK, BAND	SRM-320
17	+	900105-05012	1	BOLT, H.S. 5*12	SRM-320
18	+	301210-04630	1	HOOK	SRM-320
19		P021-002760	1	BRACKET ASY, HANDLE	SRM-320
20	+	900565-50008	1	NUT	SRM-320
21	+	900162-05030	3	BOLT, H.S. 5*30	SRM-320
23	+	605014-54230	1	WASHER	SRM-320
24	+	V299-000110	1	KNOB,FASTENER	SRM-320
25		C400-000000	1	HANDLE,FRONT	SRM-320
26		C403-000030	1	GRIP,HANDLE	SRM-320
27		890617-43130	1	LABEL,CAUTION	SRM-320
28		610206-55630	1	HOUSING ASSY, D.SHFT	SRM-320
29		610011-49930	1	SHAFT, DRIVE	SRM-320
30		301001-56831	1	HARNESS ASY,SHOULDER	SRM-320



Ersatzteilliste SRM-320, SRM-350

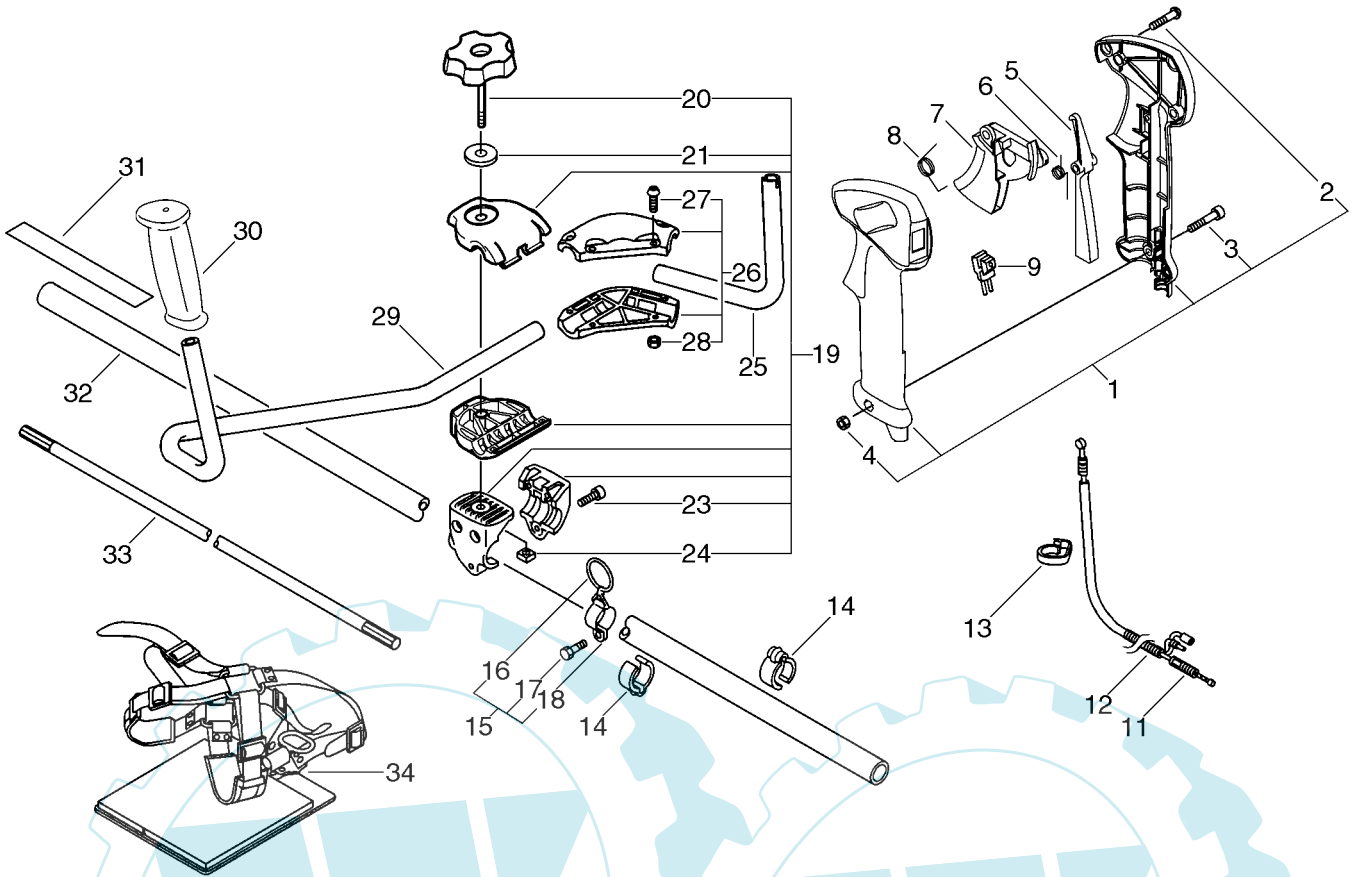


Bild	Artikelnummer	Anzahl	Beschreibung	Anmerkung
1	P021-002610	1	GRIP ASY, F-HANDLE	SRM-350
2	+ 900253-04016	3	SCREW 4*16	SRM-350
3	+ 900220-05030	1	SCREW 5*30	SRM-350
4	+ 900500-00005	1	NUT 5	SRM-350
5	C460-000010	1	LOCKOUT, THROTTLE	SRM-350
6	V452-000050	1	SPRING, TORSION	SRM-350
7	C450-000020	1	TRIGGER, THROTTLE	SRM-350
8	V452-000060	1	SPRING, TORSION	SRM-350
9	A440-000400	1	SWITCH, ON OFF	SRM-350
11	V430-000560	1	CABLE, BOWDEN	SRM-350
12	V475-002220	1	TUBE	SRM-350
13	159112-09960	1	CLIP	SRM-350
14	224924-52930	2	CLIP	SRM-350
15	301200-05230	1	HOOK ASS'Y	SRM-350
16	+ 301015-05330	1	HOOK, BAND	SRM-350
17	+ 900105-05012	1	BOLT, H.S. 5*12	SRM-350
18	+ 301210-04630	1	HOOK	SRM-350
19	P021-002760	1	BRACKET ASY, HANDLE	SRM-350
20	+ V299-000110	1	KNOB, FASTENER	SRM-350
21	+ 605014-54230	1	WASHER	SRM-350
23	+ 900162-05030	3	BOLT, H.S. 5*30	SRM-350
24	+ 900565-50008	1	NUT	SRM-350
25	351214-52931	1	HANDLE	SRM-350
26	351202-51430	1	BRACKET ASSY, HANDLE	SRM-350
27	+ 900162-05020	4	BOLT, H.S. 5*20	SRM-350
28	+ 900500-00005	4	NUT 5	SRM-350
29	351010-52931	1	HANDLE, FRONT	SRM-350
30	C403-000030	1	GRIP, HANDLE	SRM-350
31	890617-43130	1	LABEL, CAUTION	SRM-350
32	610206-55630	1	HOUSING ASSY, D.SHFT	SRM-350
33	610011-49930	1	SHAFT, DRIVE	SRM-350
34	301001-56831	1	HARNESS ASY, SHOULDER	SRM-350

Ersatzteilliste SRM-320, SRM-350

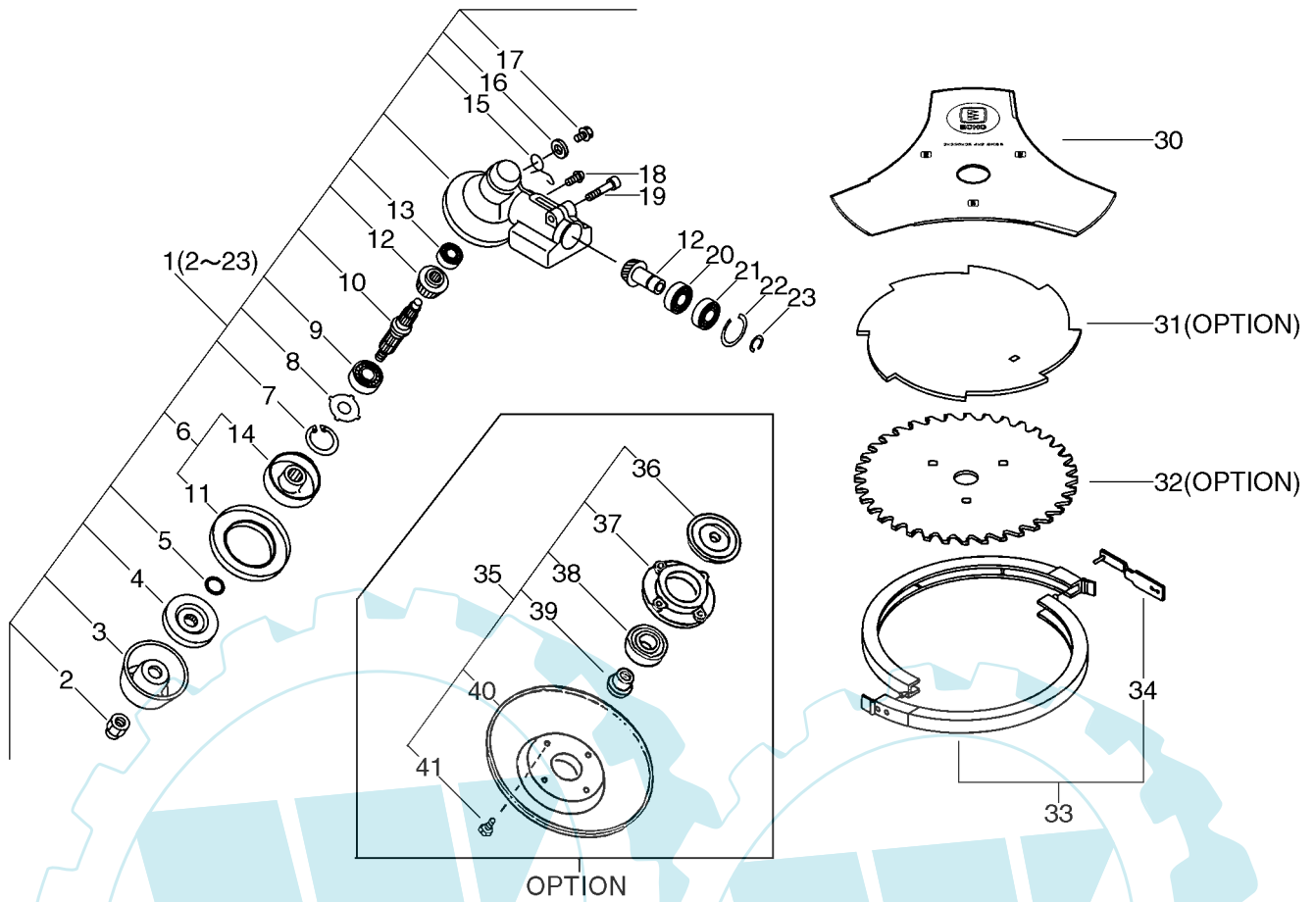


Bild	Artikelnummer	Anzahl	Beschreibung	Bild	Artikelnummer	Anzahl	Beschreibung	Anmerkung
1	610400-56931	1	CASE ASY, GEAR	19	900162-06030	1	BOLT, H.S. 6*30	
2	610320-52130	1	NUT 10	20	900800-06001	1	BEARING, BALL 6001	
3	699229-56830	1	PLATE, COVER	21	900803-06001	1	BEARING, BALL 6001	
4	610314-52130	1	PLATE, ADAPTER (L)	22	900702-00028	1	CIRCLIP 28	
5	900720-00012	1	O-RING 12	23	900701-00012	1	CIRCLIP 12	
6	C535-000000	1	FIXTURE, BLADE	30	X405-000000	1	SAW, BUSH CUTTER	
11	610352-56830	1	PLATE, CUP	33	898503-50030	1	SCABBARD KIT, BLADE	
14	C535-000010	1	FIXTURE, BLADE	34	898562-43230	1	FIXTURE, SCABBARD	
7	900702-00032	1	CIRCLIP 32	31	696001-55630	1	BLADE, 8-CUTTER 10IN	OPTION
8	610444-56830	1	WASHER	32	695001-55630	1	SAW, CIRCULAR 10*80T	OPTION
9	900812-06201	1	BEARING, BALL 6201	35	699200-56830	1	CAP ASSY, FREE	OPTION
10	610310-56930	1	SHAFT, P.T.O.	36	610313-56830	1	PLATE, ADAPTER (U)	OPTION
12	610300-56930	1	GEAR SET	37	699226-05430	1	HOLDER, BEARING	OPTION
13	900810-00629	1	BEARING, BALL 629	38	900814-06202	1	BEARING, BALL 6202	OPTION
15	610473-52131	1	SPRING	39	699227-04630	1	NUT	OPTION
16	900603-50008	1	WASHER	40	699228-08930	1	PLATE, COVER	OPTION
17	610434-50031	1	BOLT 8* 8	41	900141-05012	4	BOLT 5*12	OPTION
18	900242-05010	1	SCREW 5*10					

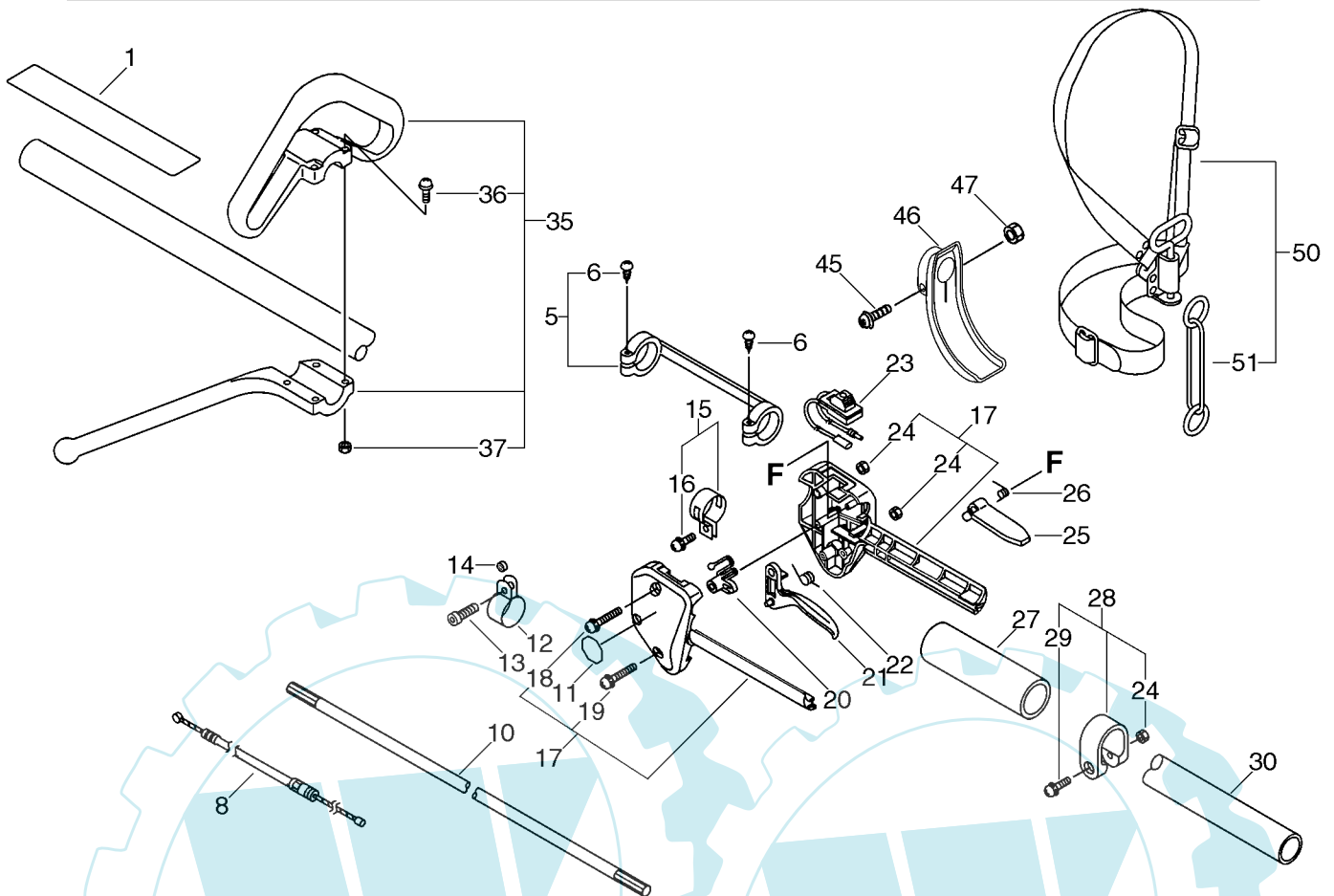


Bild	Artikelnummer	Anzahl	Beschreibung	Bild	Artikelnummer	Anzahl	Beschreibung
1	X505-000140	1	LABEL, CAUTION	22	178043-42230	1	SPRING, THR. RETURN
5	610281-42230	1	COLLER	23	A440-000390	1	SWITCH, ON OFF
6	+ 900253-04025	2	SCREW 4*25	25	178090-52630	1	LOCKOUT, T. CONTROL
8	V430-000550	1	CABLE, BOWDEN	26	178013-52630	1	SPRING, THR. LOCK
10	610011-49930	1	SHAFT, DRIVE	27	351213-51830	1	GRIP, FRONT HANDLE
11	890157-39130	1	LABEL, SWITCH	28	610272-51830	1	BAND
12	301207-07530	1	HOOK	24	+ 900500-00005	1	NUT 5
13	900105-05018	1	BOLT, H.S. 5*18	29	+ 900242-05028	1	SCREW 5*28
14	699012-03330	1	SPACER	30	610206-55630	1	HOUSING ASSY, D.SHFT
15	301200-42230	1	HOOK ASSY	35	351201-55630	1	HANDLE ASSY, LOOP
16	+ 900242-05014	1	SCREW 5*14	36	+ 900242-05035	4	SCREW 5*35
17	178003-51830	1	BRACKET SET, THROTTLE	37	+ 900500-00005	4	NUT 5
18	+ 900242-05035	1	SCREW 5*35	45	900242-05025	1	SCREW 5*25
19	+ 900242-05025	1	SCREW 5*25	46	A248-000000	1	GUARD, LEVER
24	+ 900500-00005	2	NUT 5	47	900500-00005	1	NUT 5
20	178012-52630	1	LOCKOUT, THROTTLE	50	301000-55230	1	HARNES ASSY
21	178010-52130	1	CONTROL, THROTTLE	51	+ 301305-24330	1	LINK

Ersatzteilliste SRM-320, SRM-350

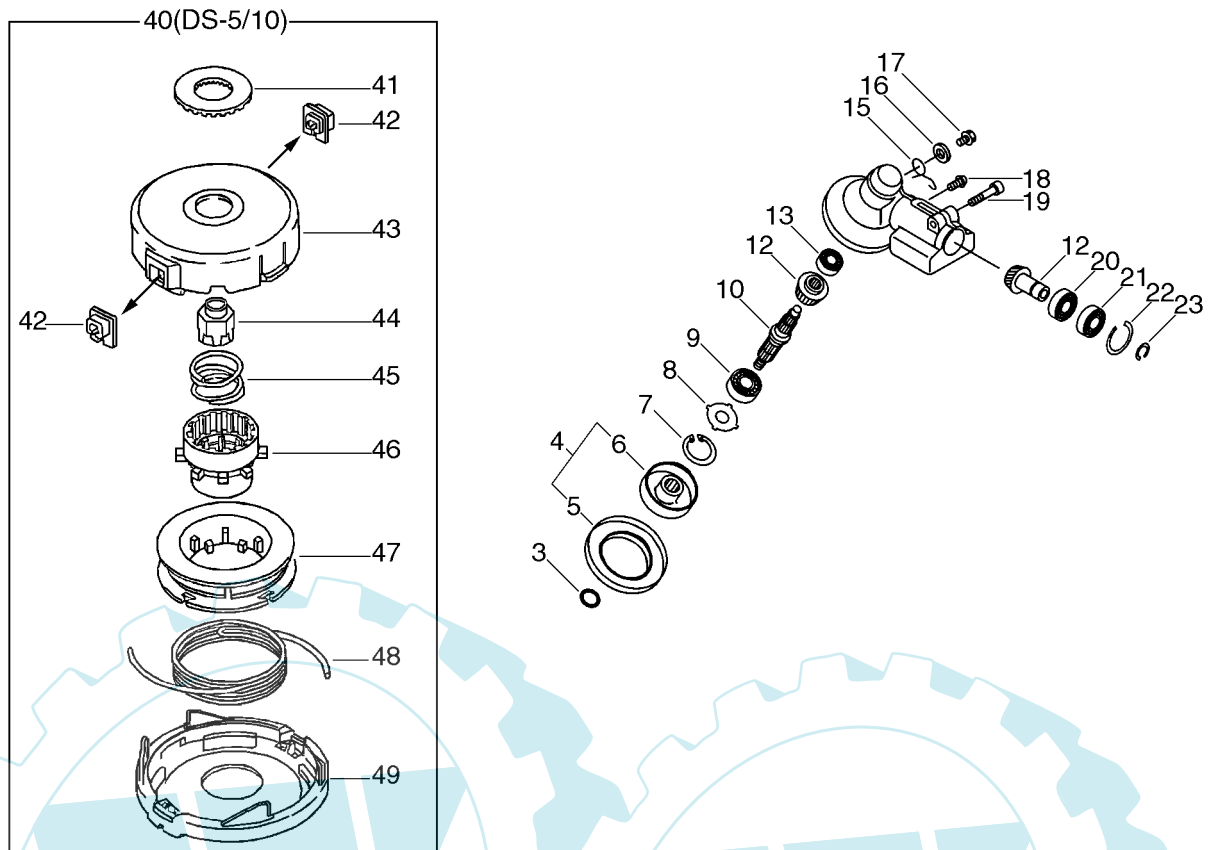


Bild	Artikelnummer	Anzahl	Beschreibung	Anmerkung
3	900720-00012	1	O-RING 12	
4	C535-000000	1	FIXTURE, BLADE	
5 +	610352-56830	1	PLATE, CUP	
6 +	C535-000010	1	FIXTURE, BLADE	
7	900702-00032	1	CIRCLIP 32	
8	610444-56830	1	WASHER	
9	900812-06201	1	BEARING, BALL 6201	
10	610310-56930	1	SHAFT, P.T.O.	
12	610300-56930	1	GEAR SET	
13	900810-00629	1	BEARING, BALL 629	
15	610473-52131	1	SPRING	
16	900603-50008	1	WASHER	
17	610434-50031	1	BOLT 8* 8	
18	900242-05010	1	SCREW 5*10	
19	900162-06030	1	BOLT, H.S. 6*30	
20	900800-06001	1	BEARING, BALL 6001	
21	900803-06001	1	BEARING, BALL 6001	
22	900702-00028	1	CIRCLIP 28	
23	900701-00012	1	CIRCLIP 12	
40	X047-000070	1	CUTTER, ASM LINE	DS-5/10
41 +	V332-000000	1	WASHER, CIRCULAR 24	
42 +	P022-000710	2	EYELET	
43 +	P022-005040	1	HOUSING	
44 +	P022-001160	1	NUT	
45 +	P022-001200	1	SPRING	
46 +	P022-001310	1	TAP KNOB	
47 +	P022-001180	1	BOBBIN	
48 +	P022-000730	1	NYLON CODE	
49 +	P022-005030	1	COVER	

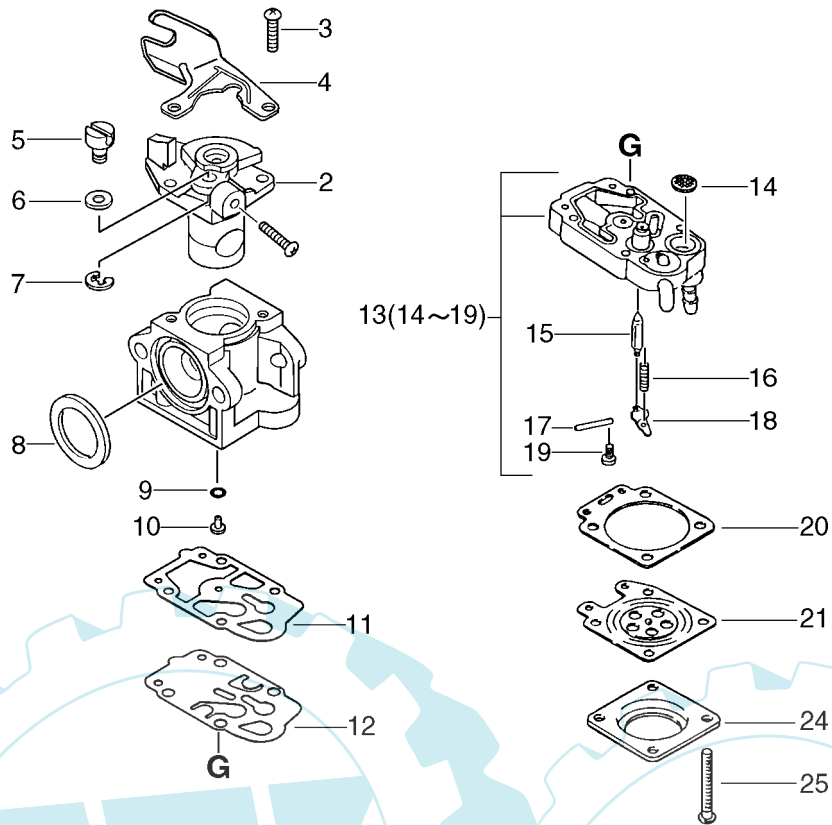
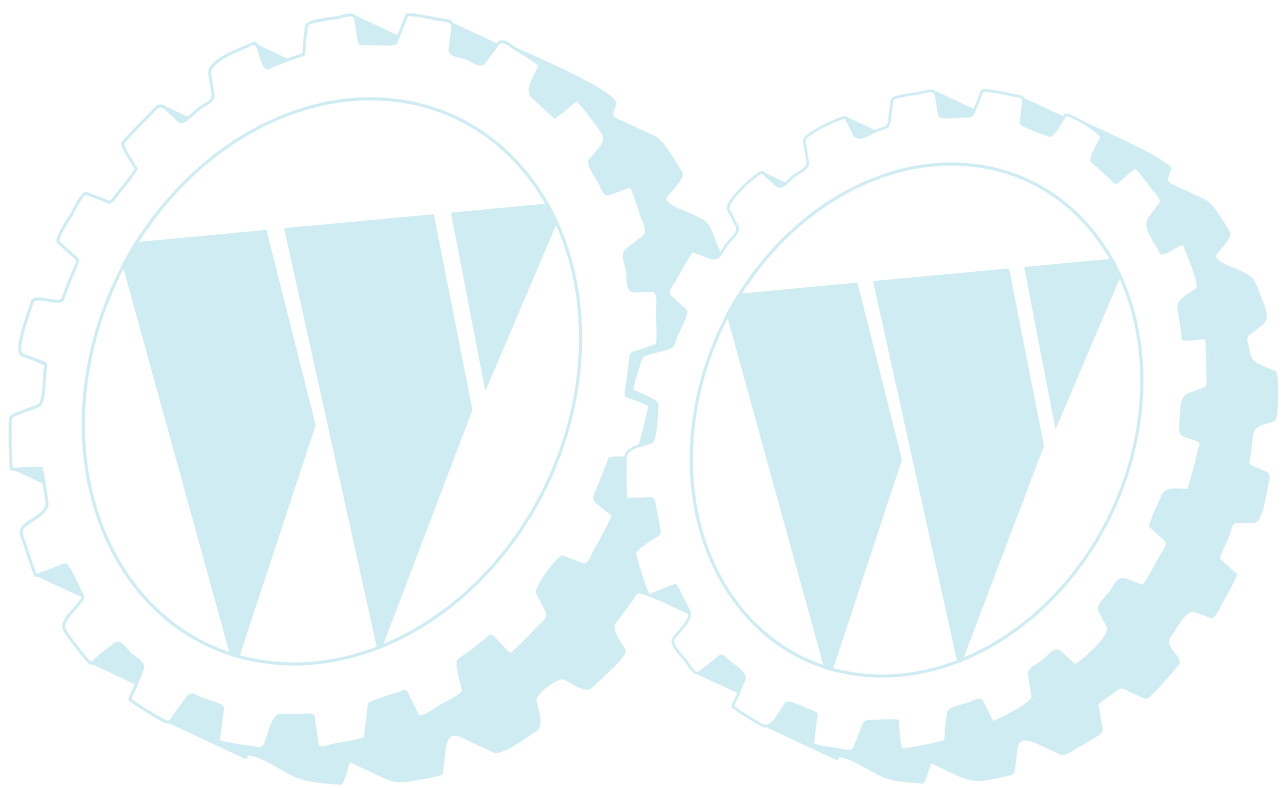
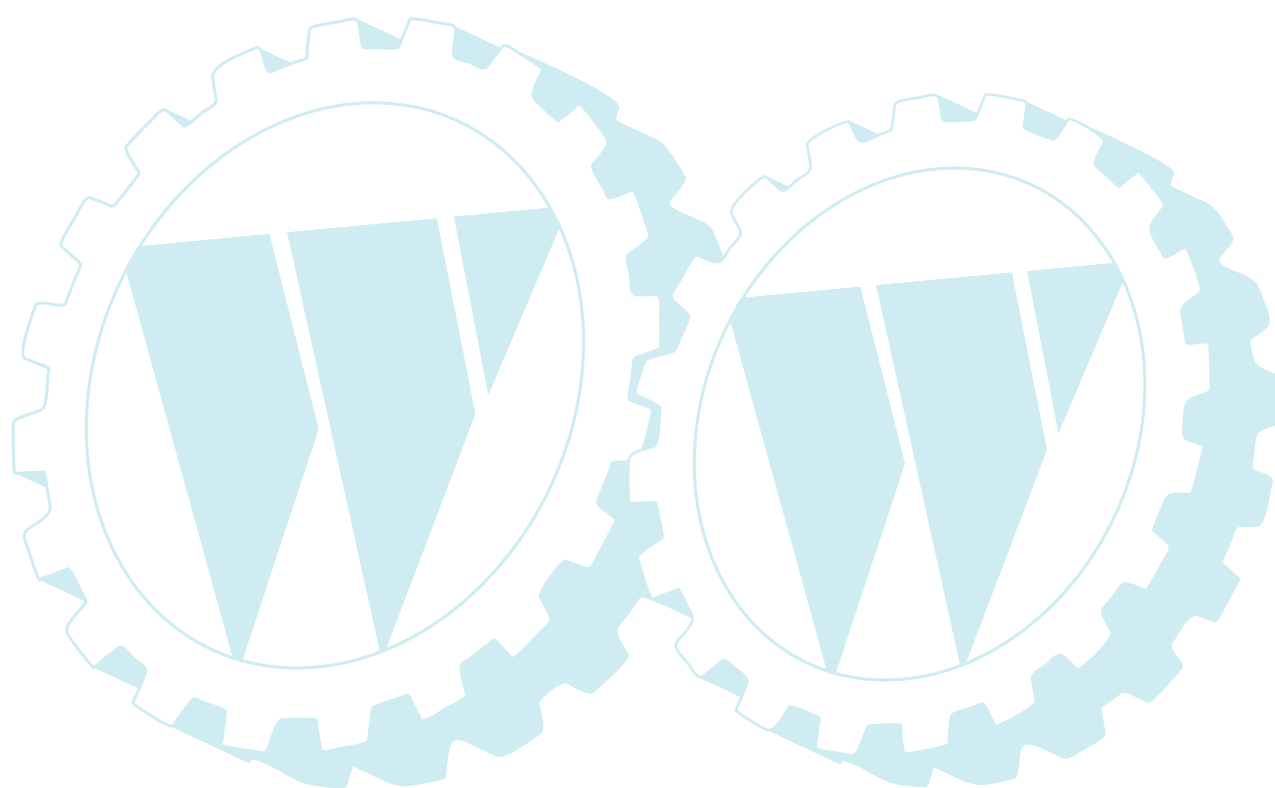
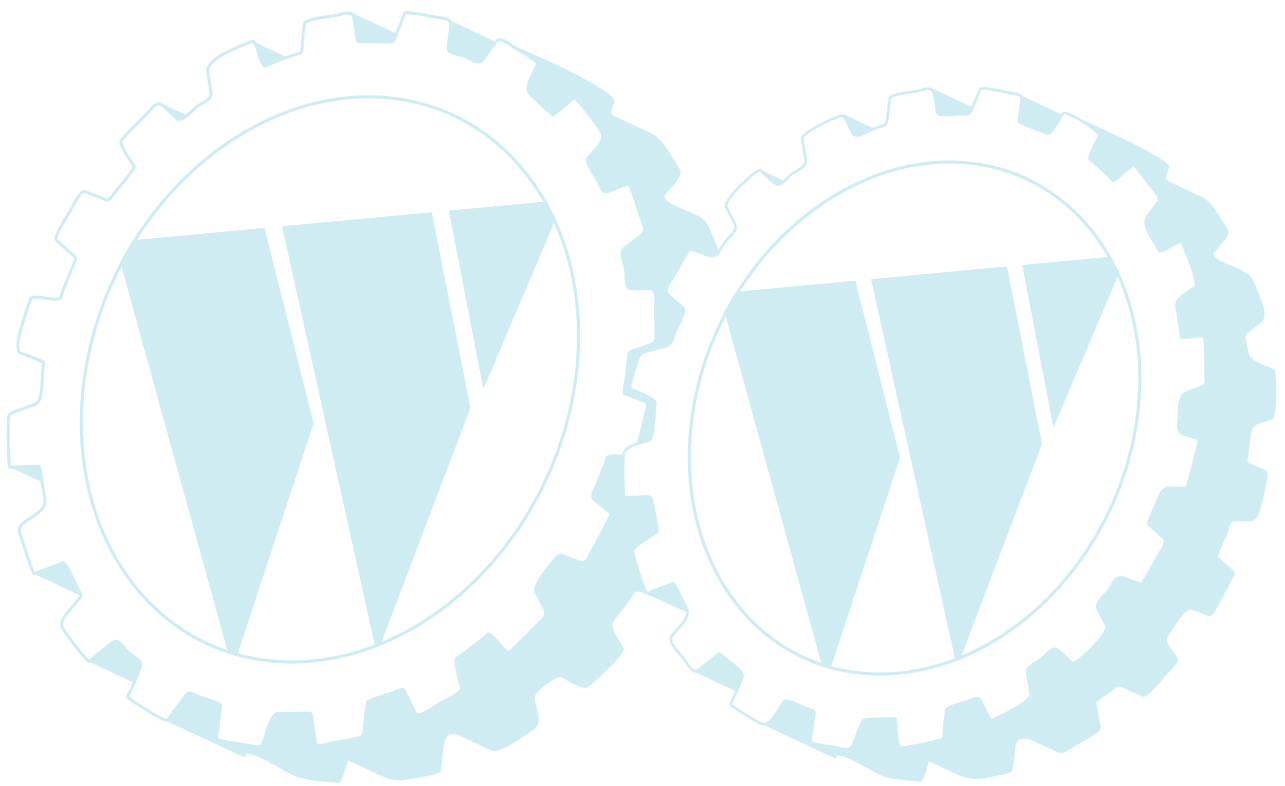


Bild		Artikelnummer	Anzahl	Beschreibung	Anmerkung
		A021-000420	1	CARBURETOR, DIAPHRAGM	SRM-320
		A021-000430	1	CARBURETOR, DIAPHRAGM	SRM-350
2	+	P003-000750	1	VALVE ASY THROTTLE	
3	+	123114-40630	2	SCREW	
4	+	P003-000180	1	BRACKET CABLE	
5	+	123172-45130	1	SWIVEL	
6	+	123149-54230	1	WASHER	
7	+	123173-07930	1	CLIP	
8	+	123143-12110	1	RING, PACKING	
9	+	123183-40630	1	O-RING	
10	+	P003-000740	1	JET	SRM-320
10	+	P003-000730	1	JET	SRM-350
11	+	P003-000100	1	GASKET, PUMP	
12	+	123112-40630	1	DIAPHRAGM, PUMP	
13	+	P003-000720	1	BODY ASSEMBLY, PUMP	
14	++	123126-10631	1	SCREEN, INLET	
15	++	123137-19830	1	VALVE, INLET NEEDLE	
16	++	123122-05560	1	SPRING, METER. LEVER	
17	++	123138-03930	1	PIN, METERING LEVER	
18	++	123123-03930	1	LEVER, METERING	
19	++	123139-05560	1	SCREW, M. LEVER PIN	
20	+	123140-27230	1	GASKET, M. DIAPHRAGM	
21	+	P003-000090	1	METERING, DIAPHRAGM	
24	+	123142-03930	1	COVER, M. DIAPHRAGM	
25	+	123144-44330	4	SCREW	







ECHO®

Motorgeräte

die geh'n ran

