

# ECHO

## WEED AND GRASS TRIMMER

### OPERATOR'S MANUAL

**SRM-200**



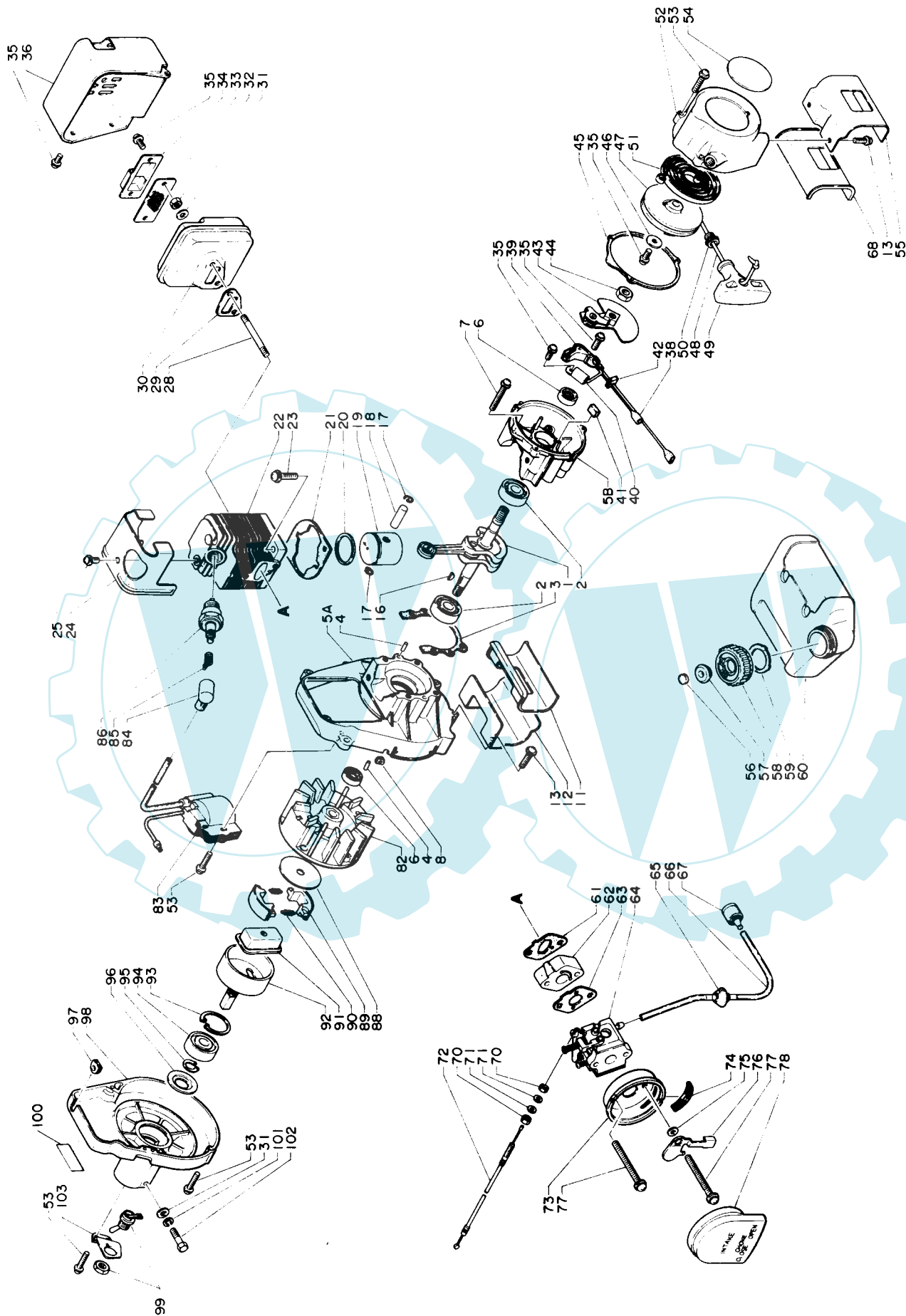
### **CAUTION**

Read Rules for Safe Operation  
and Instructions Carefully

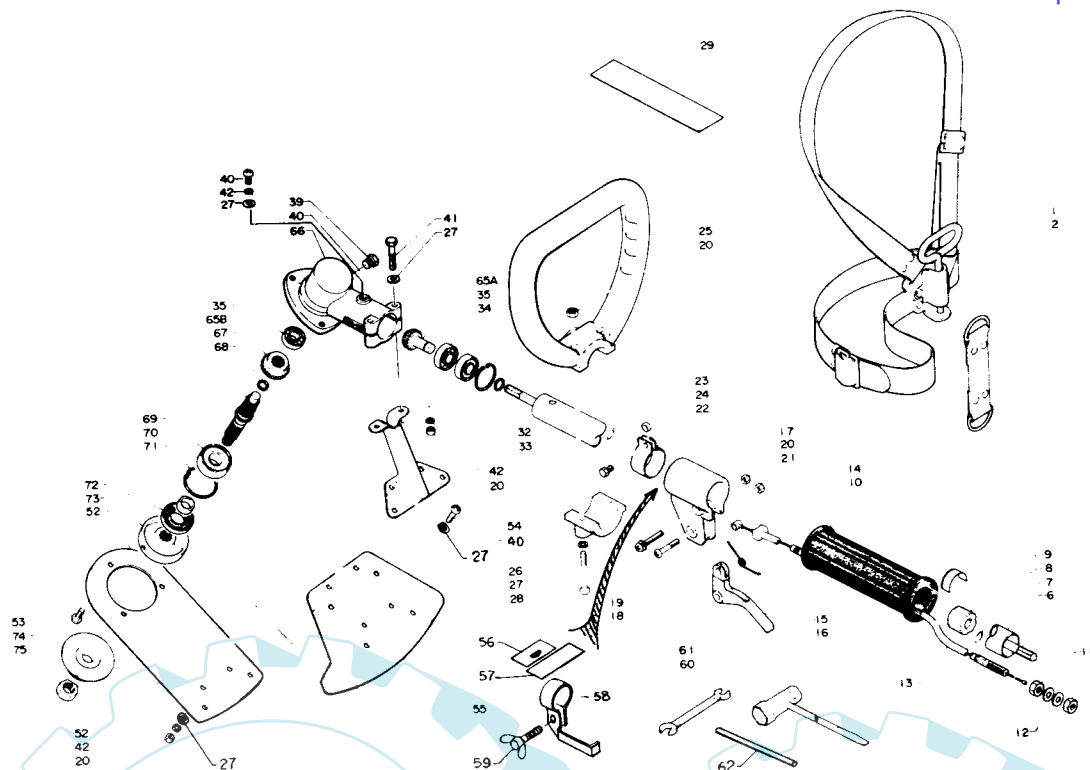


898 571-0893 1

# PARTS CATALOGUE



Key No.	Part No.	Q'ty	Description	Key No.	Part No.	Q'ty	Description
1- 1	100 100-0652 1	1	Crankshaft	1-52	-177 209-0632 0	1	Starter case
2	900 810-3620 0	2	Ball bearing 6200	53	900 242-0402 0	9	Screw 4x20 w/W, SW
3	100 242-0492 0	1	Gasket, crankcase	54	890 112-0603 1	1	Decal, ECHO
*5	<b>100 200-0652 0</b>	<b>1</b>	<b>Crankcase set</b>	55	131 918-0652 0	1	Bracket, fuel tank
4	-100 215-0393 0	4	Knock pin	***	<b>131 004-0632 0</b>	<b>1</b>	<b>Cap ass'y, fuel tank</b>
6	100 213-0593 0	2	Oil seal	56	-131 315-0502 0	1	Filter, check valve
7	900 242-0503 0	4	Screw 5x30 w/W, SW	57	-131 314-0632 0	1	Check valve
8	156 114-0492 0	1	Grommet	58	-131 017-0743 0	1	Cap, fuel tank
9	100 113-0593 0	1	Needle bearing	59	-131 016-0492 0	1	Gasket, fuel tank cap
10	100 014-0652 0	1	Spacer, piston pin	60	131 010-0652 0	1	Fuel tank
11	131 920-0652 0	1	Cushion	61	130 010-0652 0	1	Gasket
12	131 910-0652 0	1	Bracket, fuel tank	62	130 017-0652 0	1	Insulator
13	900 242-0401 4	4	Screw 4x14 w/W, SW	63	130 016-0492 1	1	Gasket
16	100 131-0652 0	1	Woodruff key	64	123 000-0652 0	1	Carburetor ass'y
17	100 015-0463 0	2	Circlip, piston pin	65	132 115-0492 0	1	Grommet
18	100 013-1021 0	1	Piston pin	66	132 010-0492 0	1	Fuel pipe
19	100 010-0652 0	1	Piston	67	131 205-0653 0	1	Fuel strainer
20	100 011-0533 0	1	Piston ring	68	131 924-0652 0	1	Cushion
21	101 010-0492 0	1	Gasket, cylinder base	*73	<b>130 301-0492 0</b>	<b>1</b>	<b>Case, air cleaner</b>
22	101 011-0652 0	1	Cylinder	74	-178 810-0492 0	1	Grommet
23	900 242-0602 2	2	Screw 6x22 w/W, SW	75	178 516-0083 0	1	Washer
24	101 514-0652 0	1	Cylinder cover	76	178 515-0492 0	1	Choke shutter
25	900 242-0501 0	1	Screw 5x10 w/W, SW	77	900 242-0505 7	2	Screw 5x57 w/W, SW
28	101 014-0056 0	2	Stud bolt	78	130 310-0492 0	1	Air filter
*	<b>145 803-0652 0</b>	<b>1</b>	<b>Muffler ass'y (S.A.M.)</b>	82	156 200-0652 0	1	Flywheel
29	-145 510-0652 0	1	Gasket, muffler	83	156 126-0652 0	1	Ignition coil
30	-145 806-0652 0	1	Muffler body	84	159 012-0162 0	1	Cap, spark plug
33	-145 862-0652 0	1	Screen	85	159 011-0051 0	1	Coil spring, plug cap
34	-145 862-0652 0	1	Lid, muffler	86	159 010-0033 0	1	Spark plug
35	-900 242-0401 0	4	Screw 4x10 w/W, SW	88	175-019-0492 0	1	Side plate
36	-145 621-0652 0	1	Muffler cover	89	175 009-0513 0	2	Clutch shoe
31	900 600-0000 5	3	Washer 5	90	175 018-0513 0	2	Clutch spring
32	433 020-0083 0	2	Lock nut 5	91	175 016-0492 0	1	Clutch boss
35	900 242-0401 0	2	Screw 4x10 w/W, SW	92	175 010-0492 0	1	Clutch drum
38	156 505-0652 0	1	Ground lead	93	900 702-0003 2	1	Circlip 32
39	156 101-0652 0	1	Breaker point set	94	900 819-3620 1	1	Ball bearing 6201
40	156 127-0652 0	1	Condenser	95	900 701-0001 2	1	Circlip 12
41	156 134-0373 0	1	Oil pad	96	175 053-0492 0	1	Stopper
42	150 114-0492 0	1	Grommet	97	156 110-0492 0	1	Grommet
43	177 305-0492 0	1	Ratchet ass'y	98	101 511-0652 0	1	Fan cover
44	900 502-0000 8	1	Nut 8	99	163 400-0652 0	1	Switch
45	100 615-0492 0	1	Gasket, starter case	100	890 135-0893 0	1	Decal, name
**	<b>177 200-0632 0</b>	<b>1</b>	<b>Recoil starter ass'y</b>	101	900 605-0000 5	1	Spring washer 5
35	-900 242-0401 0	1	Screw 4x10 w/W, SW	102	900 151-0502 5	1	Bolt 5x25
46	-177 214-0463 0	1	Washer	103	163 810-0652 0	1	Bracket, switch
47	-177 215-0492 0	1	Recoil drum	<b>Remarks:</b> *5 Including 4, 5A and 5B. * Consisting of 29, 30 and 33 thru 36. ** Consisting of 35 and 46 thru 52. *** Consisting of 56 thru 59. *73 Including 74.			
48	-177 226-0653 0	1	Starter rope				
49	-177 228-0653 0	1	Starter handle				
50	-177 227-0533 0	1	Rope guide				
51	-177 220-0653 0	1	Rewind spring				



Key No.	Part No.	Q'ty	Description	Key No.	Part No.	Q'ty	Description
<b>2*1</b>	<b>301 000-0753 0</b>	<b>1</b>	<b>Shoulder strap</b>	42	-900 605-0000 5	4	Spring washer 5
2	-301 305-0753 0	1	Strap	52	-699 011-0893 0	1	Brackrt
6	610 011-0893 0	1	Shaft, drive	53	-900 242-0501 0	3	Screw 5x10 w/W, SW
7	610 206-0893 0	1	Housing ass'y, drive shaft	54	-699 015-0893 1	1	Bracket, safety guard
8	-610 105-0893 0	4	Bush	55	-699 010-0893 1	1	Safety guard
9	890 152-0493 0	1	Decal	60	895 112-0033 0	1	Spanner 8x10
10	351 012-0893 0	1	Grip	61	895 410-1063 0	1	Wrench 17x19
11	900 502-0000 6	2	Nut 6	62	897 518-0113 0	1	Fixing rod
12	900 600-0000 6	2	Washer 6	*	<b>610 402-0893 0</b>	<b>1</b>	<b>Gear housing ass'y</b>
13	178 001-0893 0	1	Throttle cable	27	-900 600-0000 5	3	Washer 5
14	128 048-0563 0	1	Spacer	32	-610 337-0893 0	1	Circlip
15	178 043-0693 0	1	Spring, return	33	-900 702-0002 5	1	Circlip 25
16	178 010-0563 0	1	Throttle trigger	34	-900 803-0060 9	1	Ball bearing 609
17	178 024-0893 0	1	Bracket, throttle trigger	35	-900 800-0060 9	2	Ball bearing 609
18	178 110-0533 0	1	Screw	39	-900 100-0800 6	1	Bolt 8x6
19	900 220-0502 8	1	Screw 5x28	40	-900 220-0501 0	1	Screw 5x10
20	900 500-0000 5	3	Nut 5	41	-900 100-0503 5	2	Bolt 5x35
21	433 020-0083 0	1	Lock nut 5	42	-900 605-0000 5	3	Spring washer 5
22	301 207-0893 0	1	Hock	65	-610 301-0893 0	1	Gear set
23	900 100-0501 0	1	Bolt 5x10	66	-610 460-0893 0	1	Gear housing
24	699 012-0333 0	1	Spacer	67	-610 335-0713 0	1	Circlip
25 26	351 201-0893 0	1	Handle set	68	-610 360-0893 0	1	Shaft, P.T.O.
20	-900 500-0000 5	2	Nut 5	69	-900 810-0620 1	1	Ball bearing 6201
27	-900 600-0000 5	2	Washer 5	70	-900 702-0003 2	1	Circlip 32
28	-900 220-0504 0	2	Screw 5x40	71	-610 315-0713 0	1	Spacer
29	890 160-0753 0	1	Decal, caution	72	-610 413-0713 0	1	Oil seal
42	900 605-0000 5	2	Spring washer 5	73	-610 338-0893 0	1	Plate, blade fixing
**	<b>699 100-0893 1</b>	<b>1</b>	<b>Safety guard ass'y</b>	74	-610 314-0413 1	1	Plate, blade fixing
20	-900 500-0000 5	4	Nut 5	75	-900 511-0001 0	1	Nut 10 L-h
40	-900 220-0501 0	4	Screw 5x10				
56	890 173-0923 0	1	Decal				
57	890 144-0893 0	1	Decal,				
58	178 027-0893 0	1	Bracket				
59	900 117-0501 4	1	Bolt 5x14				

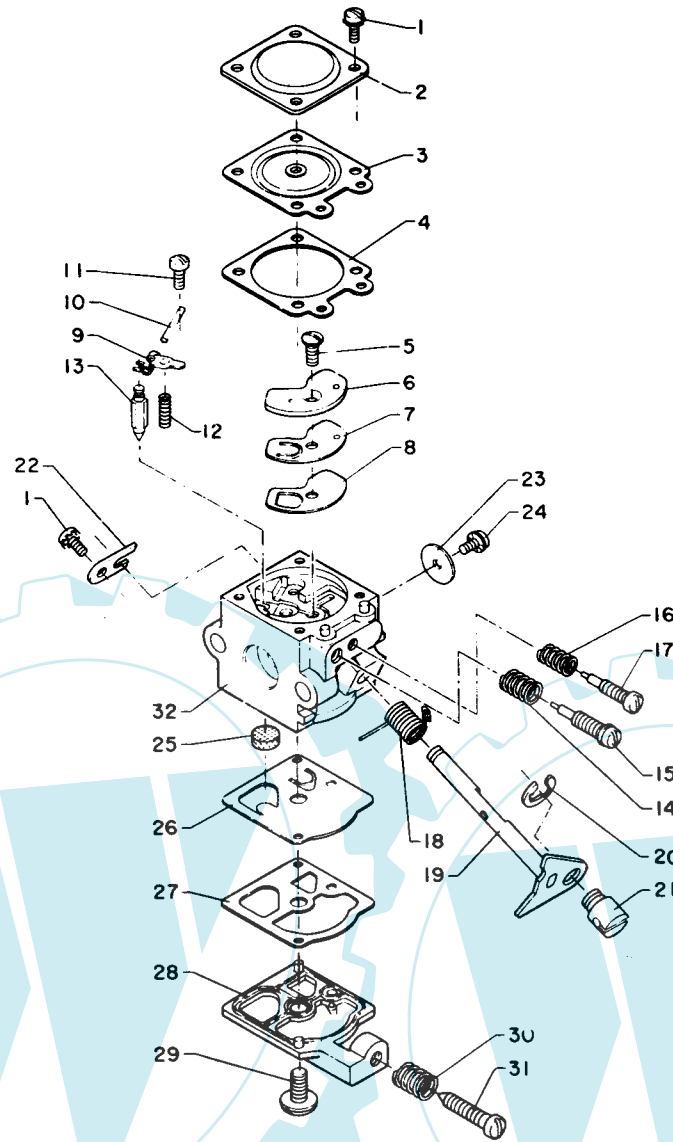
## Remarks:

\* 1 Including 2.

7 Including 8.

\* Consisting of 27, 32 thru 35, 39 thru 42 and 65 thru 75.

\*\* Consisting 20, 40, 42 and 52 thru 55.



Key No.	Part No.	Q'ty	Description	Key No.	Part No.	Q'ty	Description
<b>3- *</b>	<b>123 000-0652 0</b>	<b>1</b>	<b>Carburetor ass'y (WA-81)</b>	<b>3-20</b>	-123 127-1063 0	1	Clip
1	-123 144-0393 0	5	Screw	21	-123 172-0432 0	1	Swivel
2	-123 142-0393 0	1	Cover, metering diaphragm	22	-123 127-0393 0	1	Clip, throttle shaft
3	-123 141-0393 0	1	Diaphragm, metering	23	-123 116-0523 0	1	Valve, throttle
4	-123 140-0393 0	1	Gasket, m./diaphragm	24	-123 114-0393 0	1	Screw, throttle valve
5	-123 167-0523 0	1	Screw, circuit plate	25	-123 126-0393 0	1	Screen, inlet
6	-123 166-0393 0	1	Plate, circuit	26	-123 112-0393 0	1	Diaphragm, fuel pump
7	-123 165-0393 0	1	Diaphragm, circuit plate	27	-123 125-0393 0	1	Gasket, fuel pump
8	-123 164-0393 0	1	Gasket, circuit plate	28	-123 124-1113 0	1	Cover, fuel pump
9	-123 123-0393 0	1	Lever, metering	29	-123 110-0393 0	1	Screw, pump cover
10	-123 138-0393 0	1	Pin, metering lever	30	-123 133-1113 0	1	Spring, idle screw
11	-123 139-0393 0	1	Screw, metering lever pin	31	-123 134-0653 0	1	Screw, idle adjustment
12	-123 122-0393 0	1	Spring, metering lever	32	-Not Available	1	Body ass'y
13	-123 137-0393 0	1	Valve, inlet needle				
14	-123 119-0393 0	1	Spring, H.S. needle				
15	-123 120-0653 0	1	Needle, high speed				
16	-123 121-0393 0	1	Spring, idle needle				
17	-123 118-0652 0	1	Needle idle				
18	-123 113-0393 0	1	Spring, throttle return				
19	-123 117-0502 0	1	Shaft, throttle				

Remarks:  
\* Consisting of 1 thru 32.