

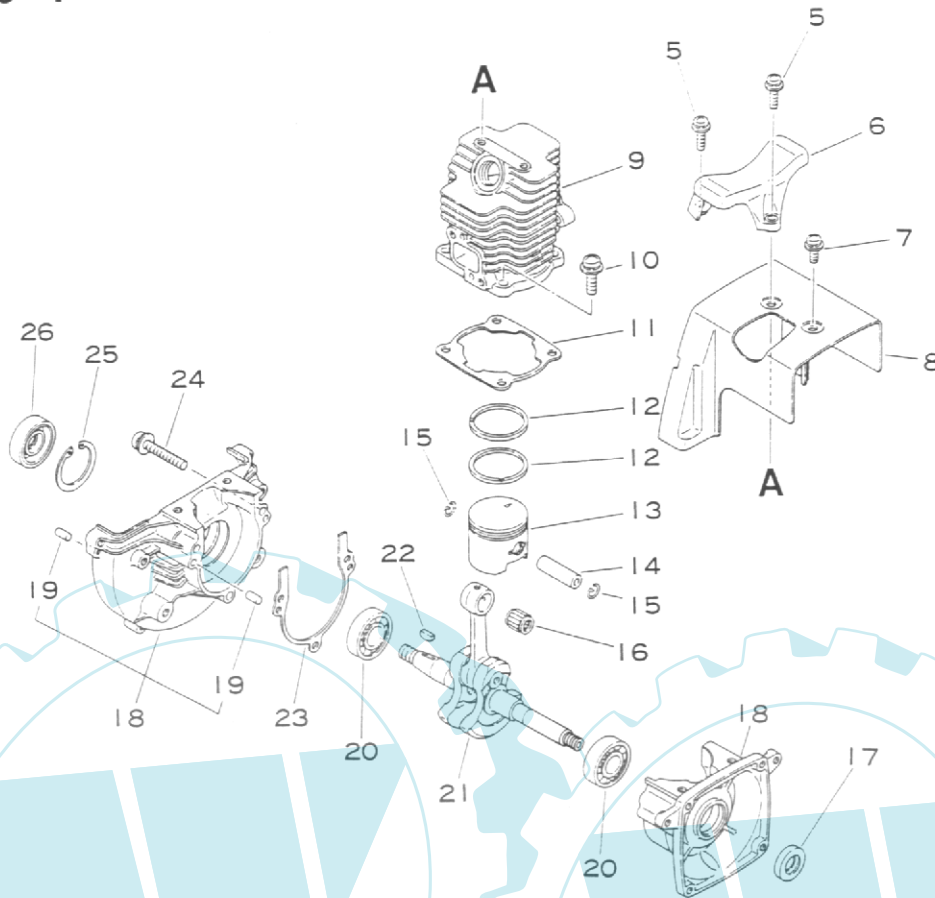


**PARTS CATALOGUE**

**ECHO  
TRIMMER /  
BRUSHCUTTER  
SRA-2190**

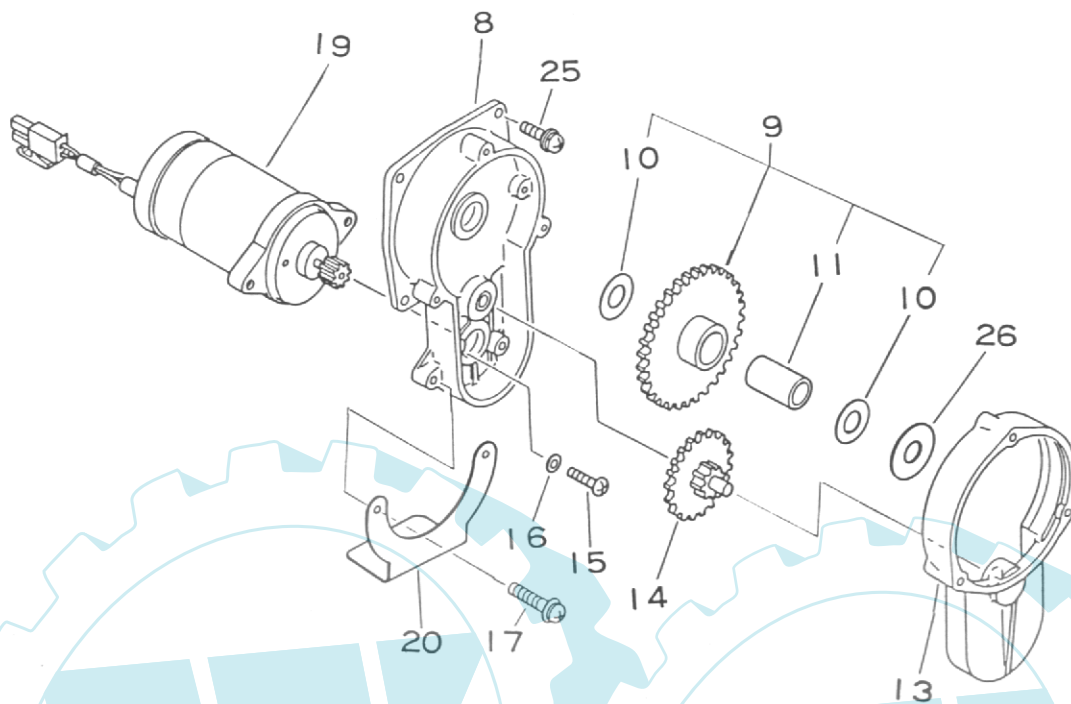


**SRA-2190 1**



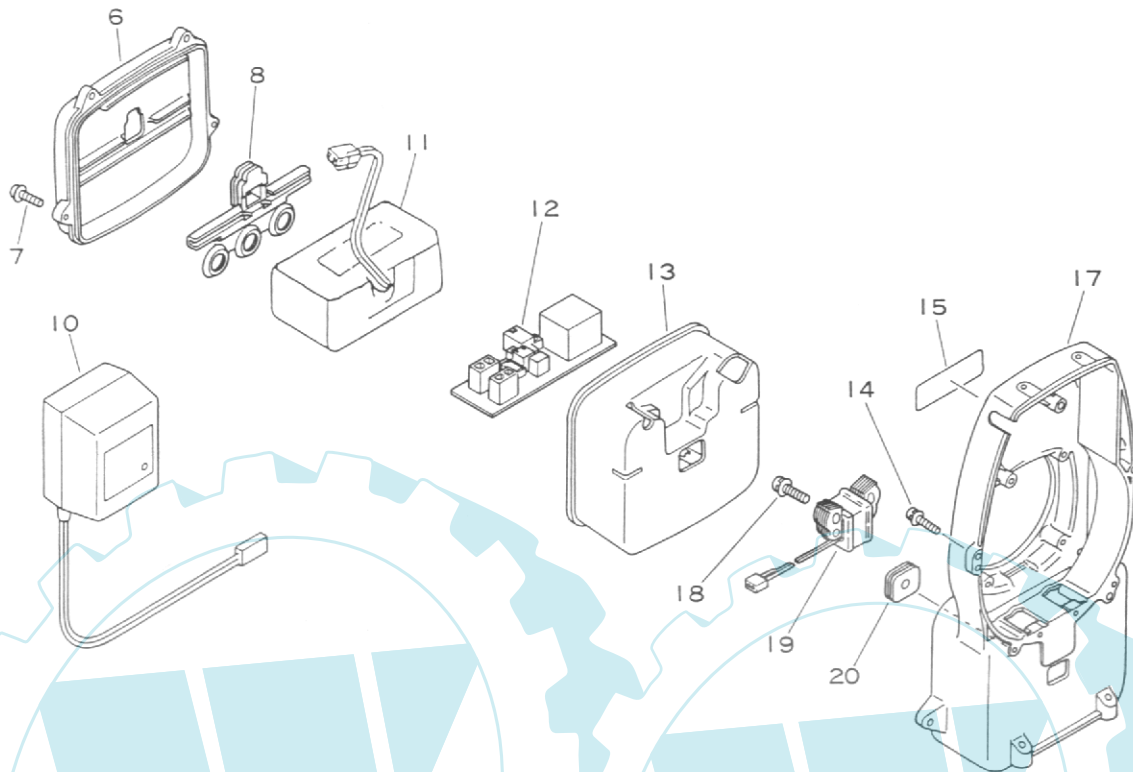
KEY	LV	PART NUMBER	Q'TY	DESCRIPTION	APPLICATION	REMARKS	INF. NR
5		900242-04014	3	SCREW 4*14			
6		159905-28230	1	GUARD, TOP			
7		900242-04010	1	SCREW 4*10			
8		101514-43331	1	COVER, CYLINDER			
9		101011-40630	1	CYLINDER			
10		900242-05016	4	SCREW 5*16			
11		101010-28231	1	GASKET, CYL. BASE			
12		100011-28230	2	RING, PISTON			
13		100010-28230	1	PISTON			
14		100013-22330	1	PIN, PISTON			
15		100015-04630	2	CIRCLIP, PISTON PIN			
16		100012-22330	1	BEARING, NEEDLE			
17		100212-04630	1	OILSEAL			
18		100200-11410	1	CRANKCASE SET			
19	+	100215-03930	4	PIN, DOWEL			
20		900800-36001	2	BEARING, BALL 6001			
21		100100-47330	1	CRANKSHAFT			
22		100142-12330	1	KEY, WOODRUFF			
23		100242-28230	1	GASKET, CRANKCASE			
24		900242-05028	3	SCREW 5*28			
25		900702-00028	1	CIRCLIP 28			
26		100212-28230	1	OILSEAL			

## SRA-2190 3

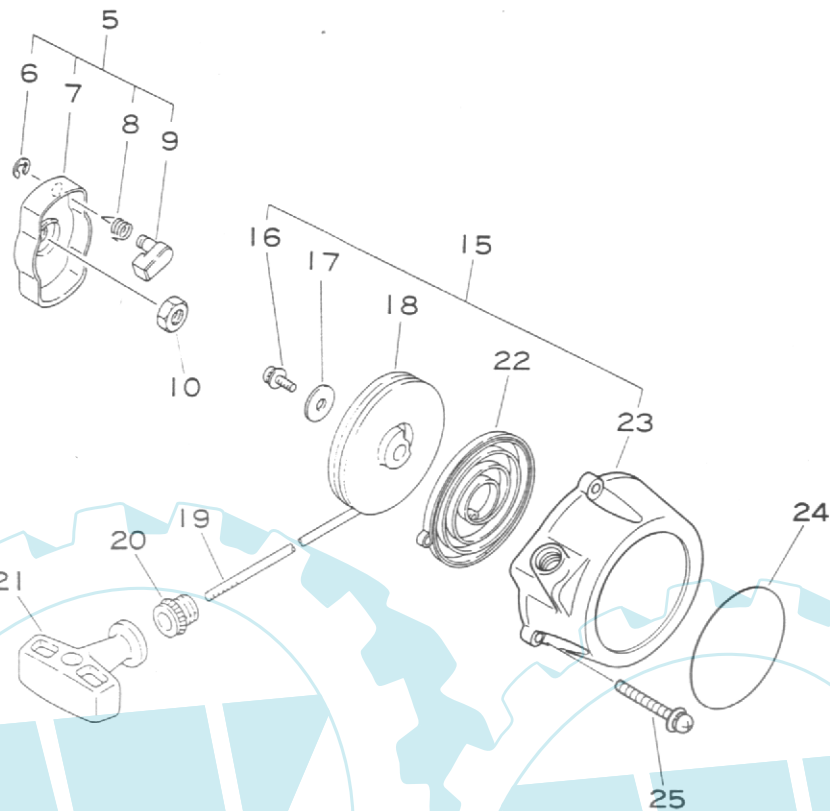


KEY	LV	PART NUMBER	Q'TY	DESCRIPTION	APPLICATION	REMARKS	INF. NR
8		100303-48130	1	CASE, STARTER			
9		160306-47330	1	GEAR ASSY, SPUR			
10	+	161321-11910	2	WASHER, CIRCULAR 10			
11	+	160615-47330	1	CLUTCH			
13		160506-11910	1	LID ASSY, STARTERCASE			
14		160305-11910	1	GEAR ASSY, SPUR			
15		900220-03012	2	SCREW 3*12			
16		900602-00003	2	WASHER 3			
17		900242-04020	2	SCREW 4*20			
19		160301-48130	1	STARTER MOTOR ASSY			
20		131910-47330	1	BRACKET, FUEL TANK			
25		900242-04014	4	SCREW 4*14			
26		175117-14330	1	WASHER			

# SRA-2190 2

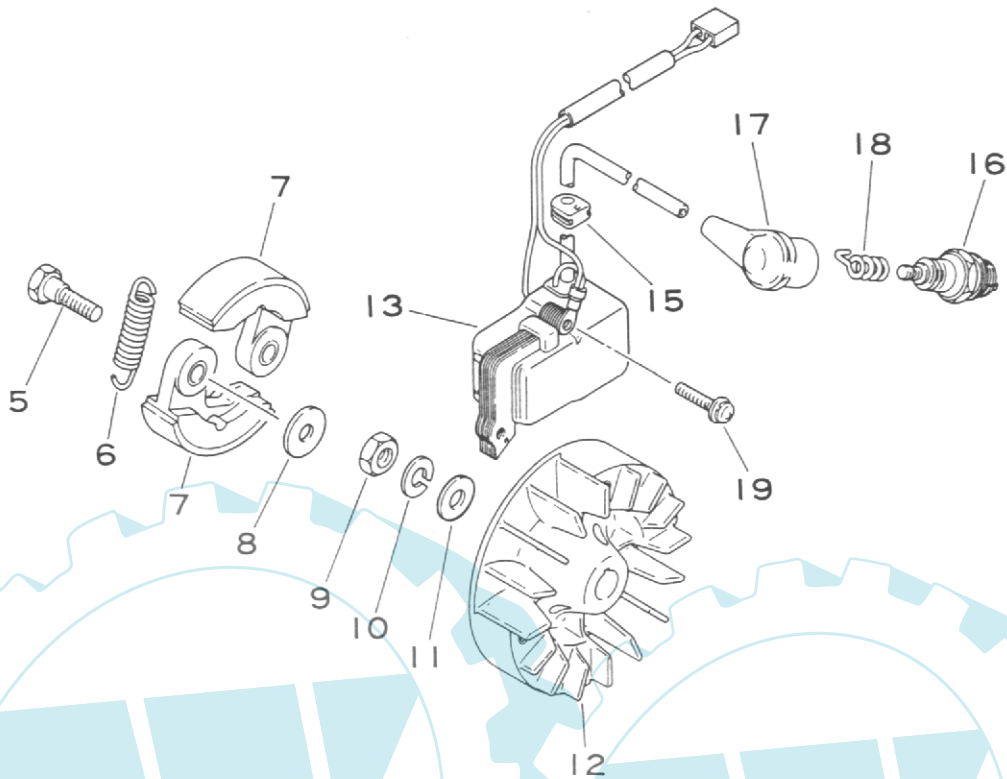


KEY	LV	PART NUMBER	Q'TY	DESCRIPTION	APPLICATION	REMARKS	INF. NR
6		160056-48130	1	LID, CASE			
7		900242-04014	4	SCREW 4*14			
8		160055-48130	1	CUSHION			
10		161300-50830	1	CHARGER			
11		160020-48130	1	BATTERY			
12		160042-48130	1	MODULE, CIRCUIT			
13		160054-48130	1	CUSHION			
14		900242-04016	4	SCREW 4*16			
15		890112-50830	1	LABEL, MODEL			
17		101511-48130	1	COVER, FAN			
18		900242-04018	2	SCREW 4*18			
19		161310-48130	1	COIL, CHARGER			
20		150135-47330	1	GROMMET			

**SRA-2190 4**

KEY	LV	PART NUMBER	QTY	DESCRIPTION	APPLICATION	REMARKS	INF. NR
5		177202-42030	1	PAWL ASM., STARTER			
6	+	900700-00004	1	E-RING 4			
8	+	177234-42030	1	SPRING, RETURN			
9	+	177218-42030	1	PAWL, STARTER			
10		900502-00008	1	NUT 8 #3			
15		177200-47330	1	STARTER ASSEMBLY			
16	+	177236-40630	1	SCREW			
17	+	177214-42030	1	WASHER			
18	+	177215-42030	1	DRUM, STARTER			
19	+	177226-05530	1	ROPE, STARTER			
20	+	177227-42030	1	GUIDE, ROPE			
21	+	177228-05530	1	GRIP, STARTER			
22	+	177220-42030	1	SPRING, REWIND			
23	+	177232-47330	1	CASE, STARTER			
24		890118-44330	1	LABEL, ECHO			
25		900242-04030	3	SCREW 4*30			

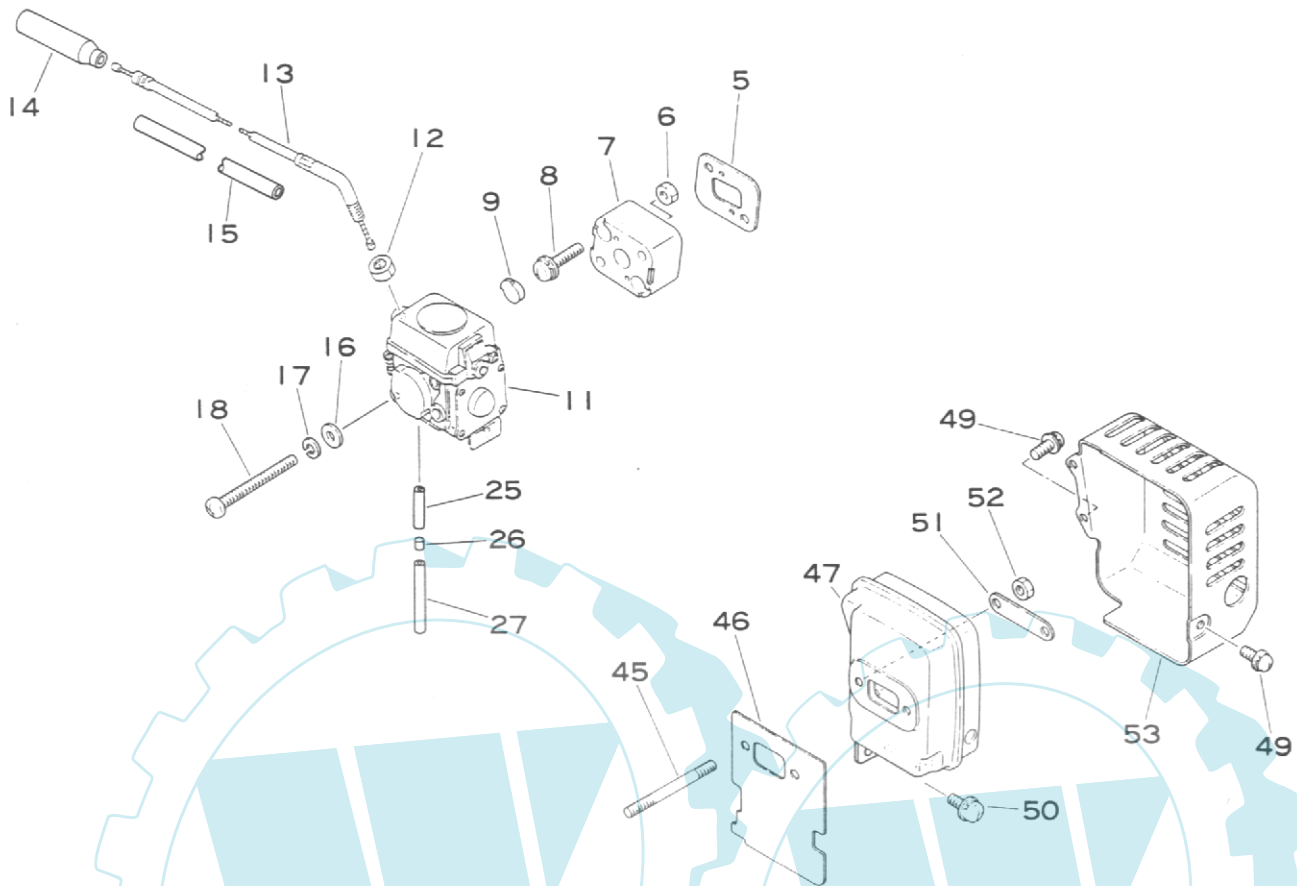
**SRA-2190 5**



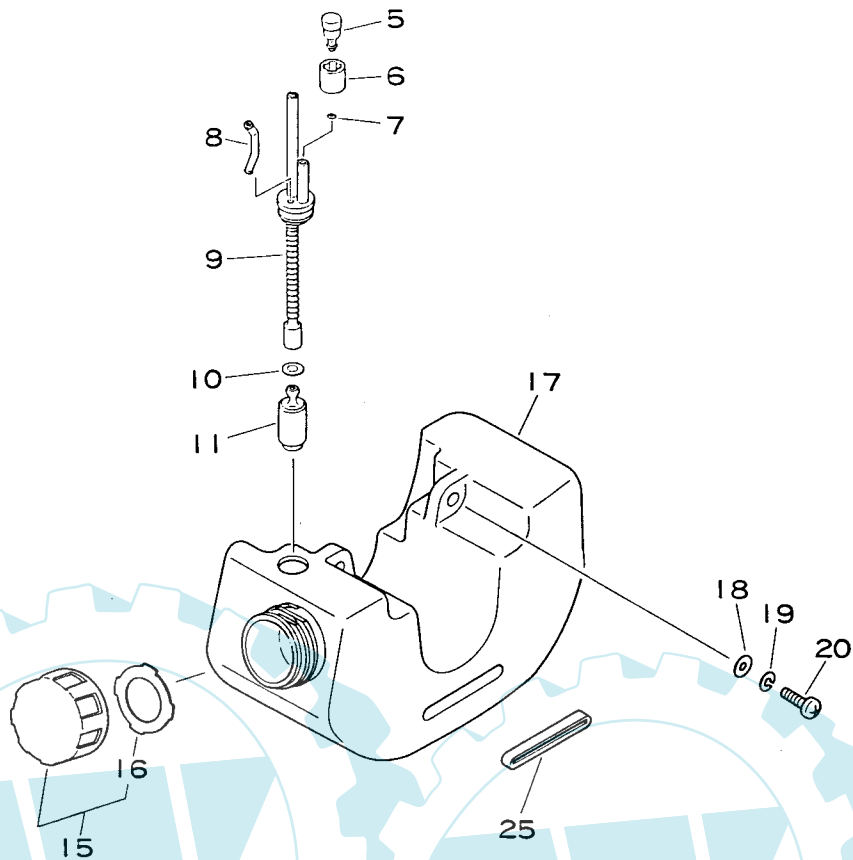
KEY LV	PART NUMBER	Q'TY	DESCRIPTION	APPLICATION	REMARKS	INF. NR
5	175046-22332	1	SHAFT, CLUTCH			
6	175018-05535	1	SPRING, CLUTCH			
7	175009-05532	2	SHOE, CLUTCH			
8	175048-05530	1	WASHER 6			
9	900592-00008	1	NUT 8 #3			
10	900605-00008	1	WASHER, SPRING 8			
11	900600-00008	1	WASHER 8			
12	156801-28230	1	FLYWHEEL			
13	156626-48130	1	COIL, IGNITION			
15	156112-28230	1	GROMMET			
16	159010-10630	1	PLUG, SPARK BPM-7A			
17	159012-03433	1	CAP, SPARK PLUG			
18	159011-03432	1	COIL, SPARK PLUG CAP			
19	900242-04020	1	SCREW 4*20			



## SRA-2190 6



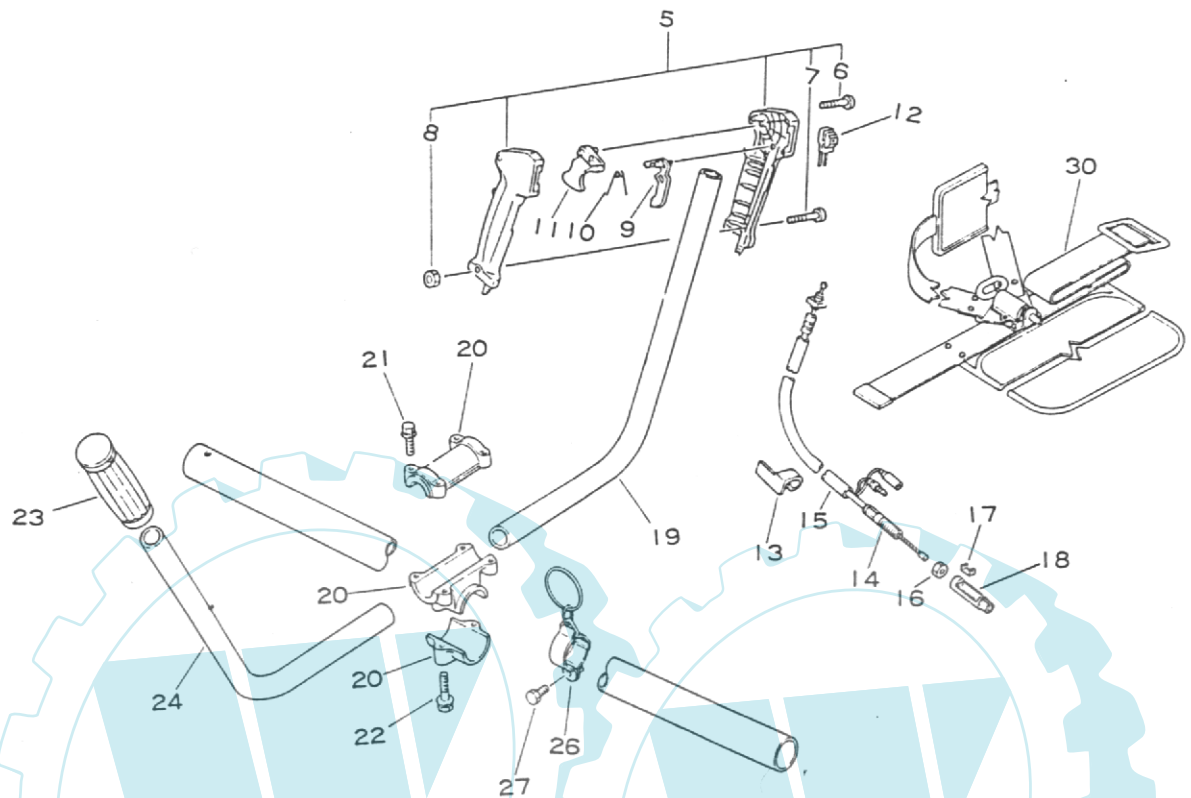
KEY	LV	PART NUMBER	Q'TY	DESCRIPTION	APPLICATION	REMARKS	INF. NR
5		130010-28231	1	GASKET, INTAKE			
6		900500-00004	2	NUT 4			
7		130017-40030	1	INSULATOR			
8		900242-05020	2	SCREW 5*20			
9		130115-28230	2	PLUG			
11		123000-40030	1	CARBURETOR WZ-24			
12		178021-05530	1	LOCKNUT			
13		178004-40030	1	WIRE, THROTTLE			
14		178128-22330	1	SLEEVE			
15		178127-40031	1	PIPE			
16		900600-00004	2	WASHER 4			
17		900605-00004	2	WASHER, SPRING 4			
18		900220-04055	2	SCREW 4*55			
25		132716-45630	1	PIPE, FUEL			
26		132001-45730	1	VALVE, CHECK			
27		132717-45630	1	PIPE, FUEL			
45		101014-00560	2	STUD, MUFFLER			
46		145510-28231	1	GASKET, MUFFLER			
47		145610-40031	1	MUFFLER			
49		900242-04010	3	SCREW 4*10			
50		900242-05010	1	SCREW 5*10			
51		145642-04930	1	WASHER			
52		900560-00005	2	LOCKNUT 5			
53		145621-28231	1	COVER, MUFFLER			

**SRA-2190 7**

KEY LV	PART NUMBER	Q'TY	DESCRIPTION	APPLICATION	REMARKS	INF. NR
5	131300-40630	1	VENT ASSEMBLY			
6	131328-40630	1	COVER, VENT			
7	130111-00530	1	CLIP			
8	132021-40630	1	CONNECTOR, FUEL PIPE			
9	132002-47330	1	PIPE, FUEL			
10	900603-00005	1	WASHER 5			
11	131200-21330	1	STRAINER ASM., FUEL			
12	132716-45630	1	PIPE, FUEL			
13	132001-45730	1	VALVE, CHECK			
14	132717-45630	1	PIPE, FUEL			
15	131004-40930	1	CAP ASS'Y, FUEL TANK			
16	+ 131016-40930	1	GASKET, F. TANK CAP			
17	131005-47330	1	TANK, FUEL			
18	900603-00005	2	WASHER 5			
19	900605-00005	2	WASHER, SPRING 5			
20	900220-05016	2	SCREW 5*16			
25	131920-28230	1	CUSHION, FUEL TANK			

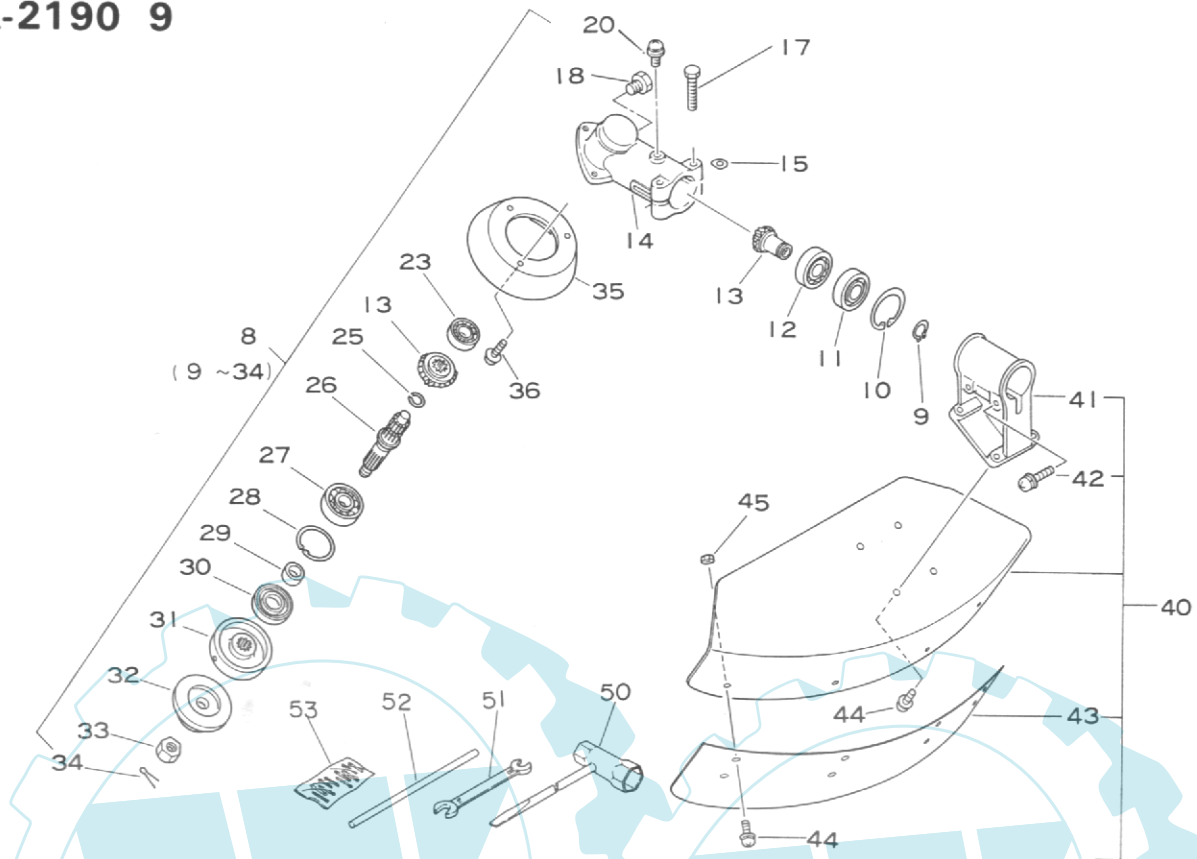


SRA-2190 8



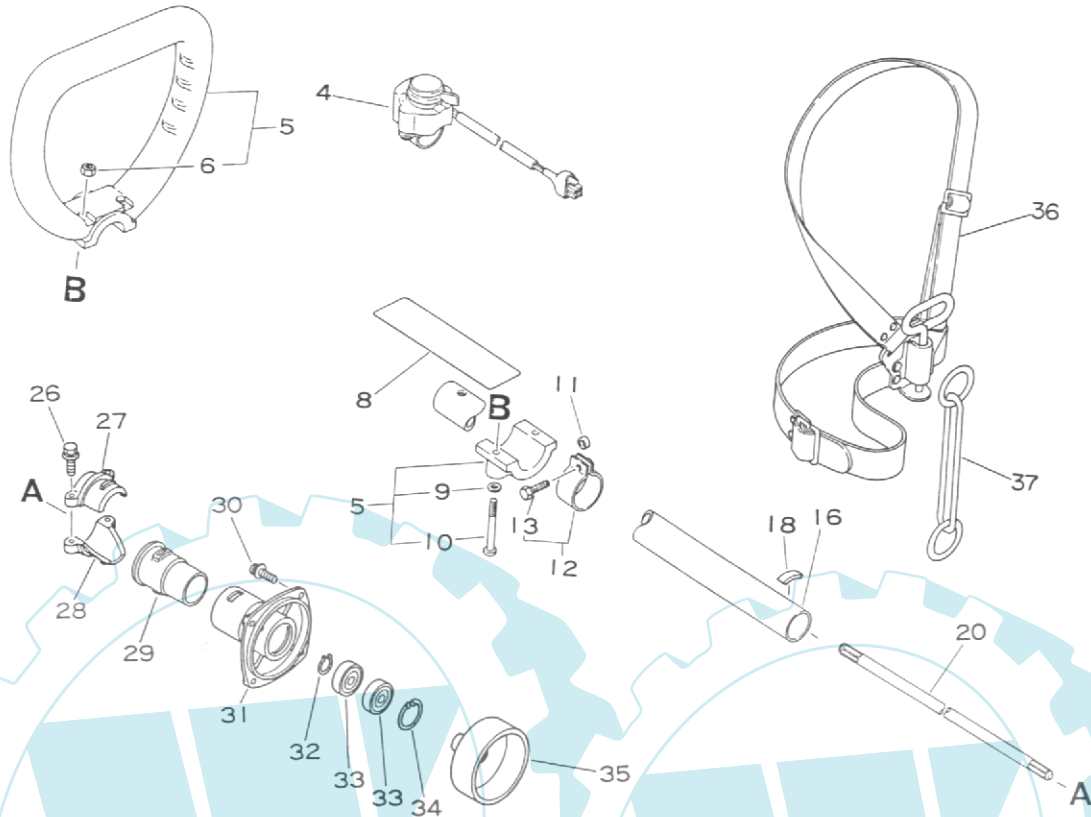
KEY	LV	PART NUMBER	Q'TY	DESCRIPTION	APPLICATION	REMARKS	INF. NR
5		351102-47530	1	GRIP KIT, HANDLE			
6	+	900246-03025	4	SCREW 3*25			
7	+	900220-05030	1	SCREW 5*30			
8	+	900500-00005	1	NUT 5			
9		178012-47530	1	LOCKOUT, THROTTLE			
10		178013-35631	1	SPRING, THR. LOCK			
11		178010-47530	1	CONTROL, THROTTLE			
12		163400-50930	1	SWITCH, IGNITION			
13		178111-04930	1	CLIP, THROTTLE WIRE			
14		178001-50930	1	WIRE, THROTTLE			
15		178127-04930	1	TUBE			
16		178021-05530	1	LOCKNUT			
17		178049-06630	1	CONNECTOR			
18		178114-05630	1	CONNECTOR, THR. WIRE			
19		351010-43130	1	HANDLE, REAR			
20		351301-09230	1	BRACKET ASM., HANDLE.			
21	+	900142-05025	4	BOLT 5*25			
22	+	900142-06030	2	BOLT 6*30			
23		351311-22430	1	GRIP, HANDLE			
24		351210-05530	1	HANDLE, FRONT			
26		301200-21330	1	HOOK ASS'Y			
27	+	900100-05012	1	BOLT 5*12			
30		301001-05330	1	HARNES, SHOULDER			

## SRA-2190 9



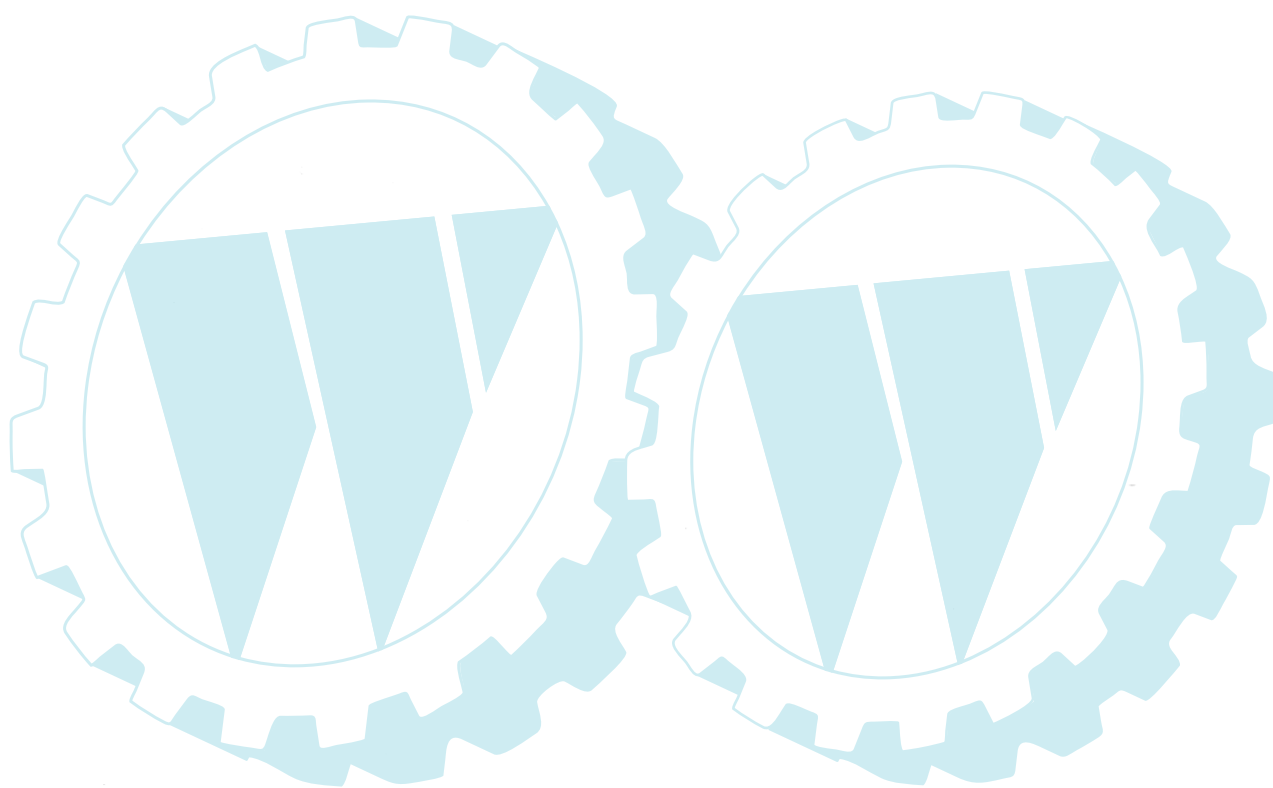
KEY	LV	PART NUMBER	Q'TY	DESCRIPTION	APPLICATION	REMARKS	INF. NR
8		610400-41630	1	HOUSING ASS'Y, GEAR			
9	+	900706-00010	1	CIRCLIP 10			
10	+	900702-00022	1	CIRCLIP 22			
11	+	900858-06900	1	BEARING, BALL 6900			
12	+	900855-06900	1	BEARING, BALL 6900			
13	+	610300-40830	1	GEAR SET			
14	+	610410-28230	1	HOUSING, GEAR			
15	+	610239-04130	2	WASHER, SHIM			
17	+	900142-05028	2	BOLT 5*28			
18	+	900100-08008	1	BOLT 8*8			
20	+	900220-05010	3	SCREW 5*10			
23	+	900810-00626	1	BEARING, BALL 626			
26	+	610310-22330	1	SHAFT, P.T.O.			
27	+	900800-06000	1	BEARING, BALL 6000			
28	+	900702-00026	1	CIRCLIP 26			
29	+	610315-22830	1	SPACER			
30	+	610413-22830	1	OILSEAL			
31	+	610313-22830	1	25,4 mm (falsch)	610313-46730 (20mm)		
32	+	610314-27230	1	25,4 mm (falsch)	610314-06030 (20mm)		
33	+	900511-00010	1	NUT 10 (L-H)			
34	+	900300-20022	1	PIN, SPLIT 2*22			
35	+	610443-22830	1	PLATE, GUARD			
40		699000-50730	1	SHIELD ASSEMBLY			
41	+	699011-27230	1	BRACKET, SHIELD			
42	+	900142-05025	2	BOLT 5*25			
43	+	699013-27230	1	PLATE, SHIELD			
44	+	900242-05012	8	SCREW 5*12			
45	+	900500-00005	4	NUT 5			
	+	699010-29430	1	SHIELD, BLADE			
50		895410-08030	1	WRENCH, W/S-DRIVER			

## SRA-2190 10

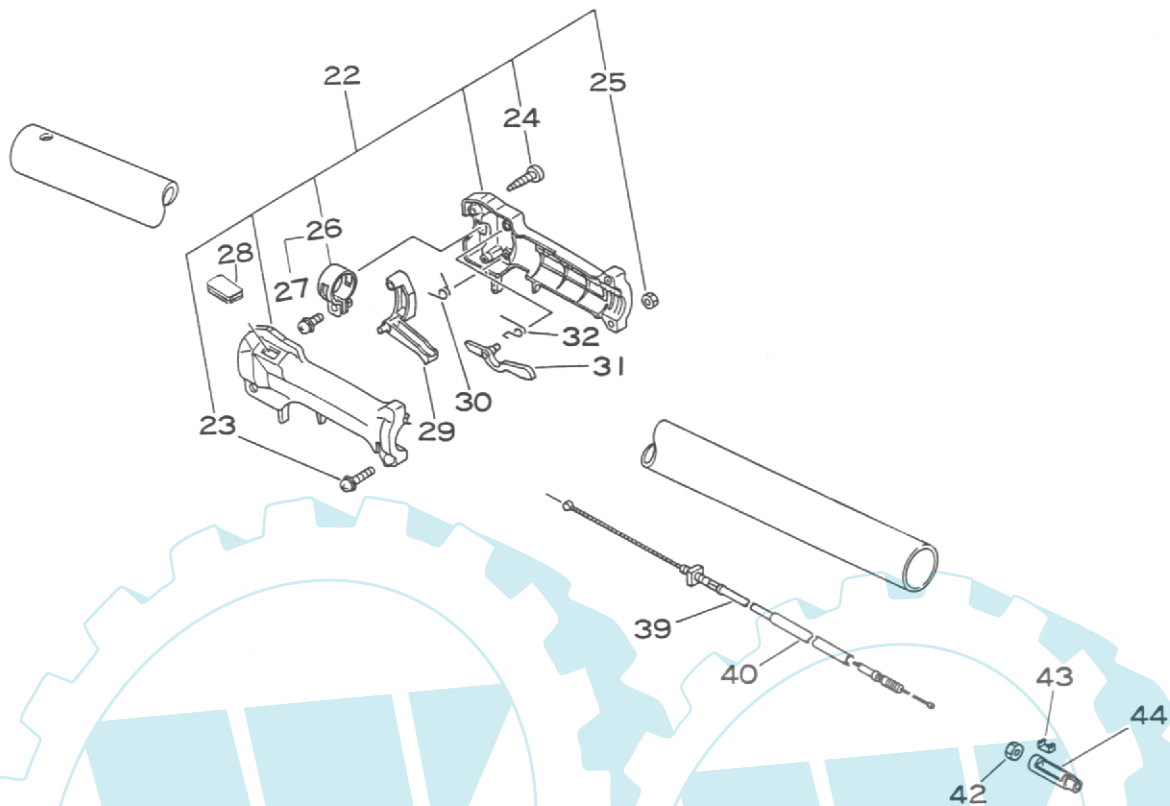


KEY	LV	PART NUMBER	Q'TY	DESCRIPTION	APPLICATION	REMARKS	INF. NR
		4	1	SWITCH, STARTER			
		5	1	HANDLE ASS'Y, LOOP			
		6 + 900500-00005	2	NUT 5			
		9 + 900600-00005	2	WASHER 5			
		8	1	LABEL, CAUTION			
		10 + 900220-05040	2	SCREW 5*40			
		11	1	SPACER			
		12	1	HOOK			
		13	1	BOLT 5*18			
		16	1	HOUSING ASS'Y D,SFT.			
		20	1	SHAFT, DRIVE			
		26	2	BOLT 5*25			
		27	1	FIXTURE, MAIN PIPE			
		28	1	FIXTURE, MAIN PIPE			
		29	1	CUSHION			
		30	4	SCREW 5*16			
		31	1	FLANGE			
		32	1	CIRCLIP 10			
		33	2	BEARING, BALL 6000			
		34	1	CIRCLIP 26			
		35	1	DRUM, CLUTCH			
		36	1	HARNESS ASS'Y			
		37 + 301305-24330	1	RING, HARNESS			

KEY LV	PART NUMBER	Q'TY	DESCRIPTION	APPLICATION	REMARKS	INF. NR
51	895112-00330	1	SPANNER 8*10			
52	897518-01131	1	LOCKING TOOL			
53	898502-01130	1	PIN 2*22 (W/POUCH)			



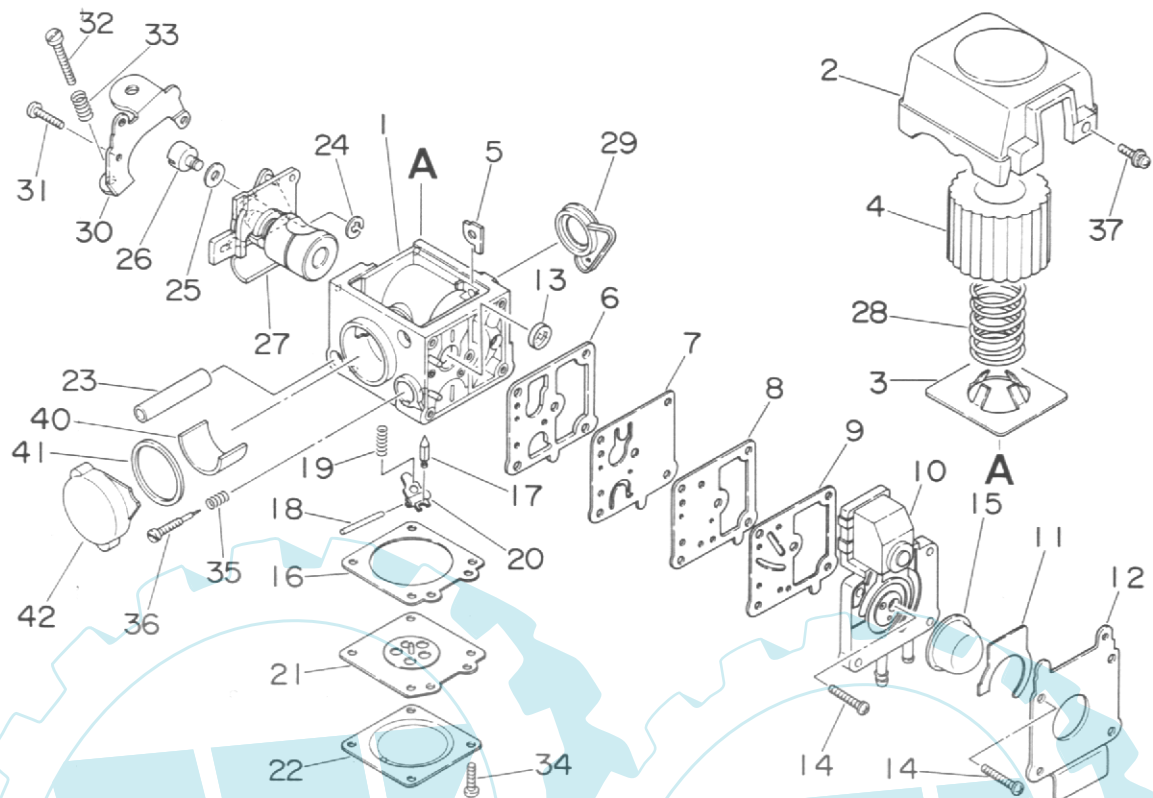
## SRA-2190 11



KEY	LV	PART NUMBER	Q'TY	DESCRIPTION	APPLICATION	REMARKS	INF. NR
22		351102-29430	1	GRIP KIT, HANDLE			
23	+	900238-05025	1	SCREW 5*25			
24	+	900253-04012	3	SCREW 4*12			
25	+	900500-00005	1	NUT 5			
26	+	301200-42230	1	HOOK			
27	+	900238-05012	1	SCREW 5*12			
28		150114-50830	1	GROMMET			
29		178010-42230	1	CONTROL, THROTTLE			
30		178013-42230	1	SPRING, THR. LOCKOUT			
31		178012-42230	1	LOCKOUT, THROTTLE			
32		178043-42230	1	SPRING, THR. RETURN			
39		178001-50830	1	WIRE, THROTTLE			
42		178021-05530	1	LOCKNUT			
43		178049-06630	1	CONNECTOR			
44		178114-05630	1	CONNECTOR, THR. WIRE			



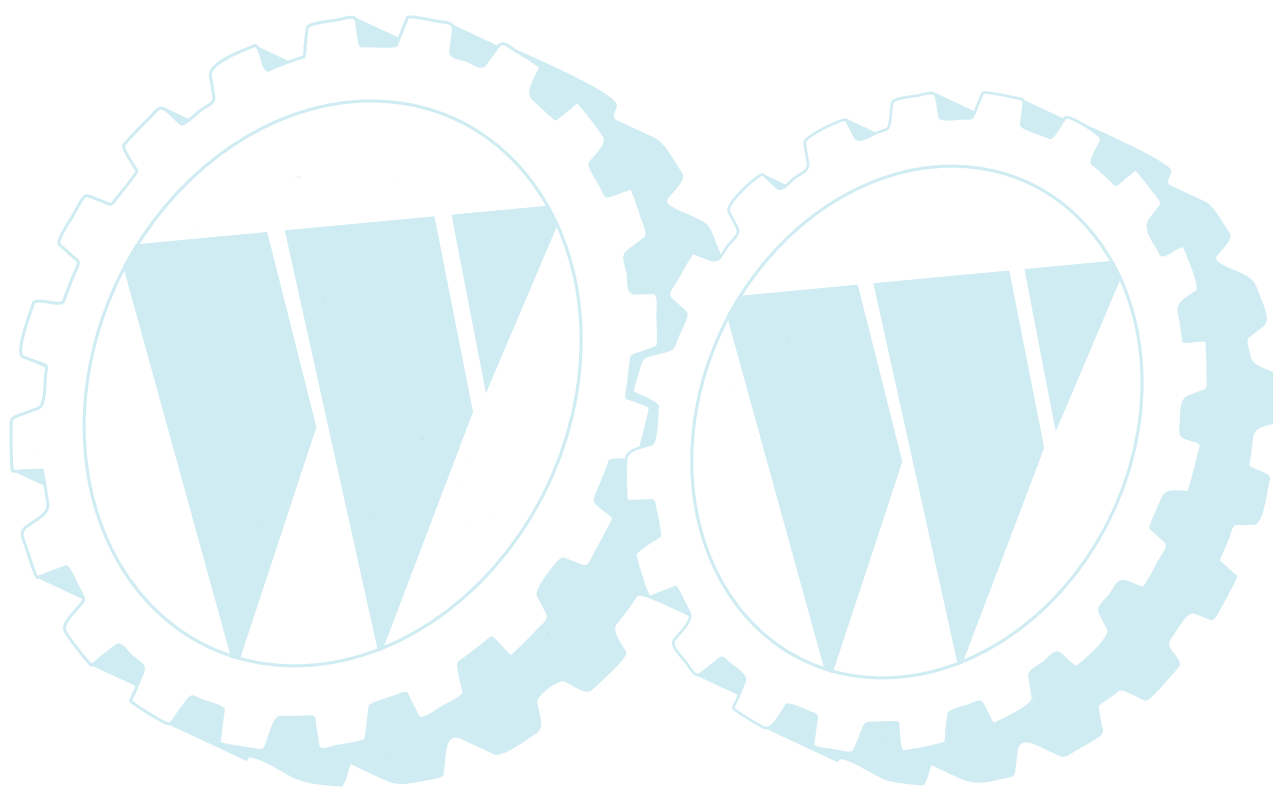
## SRA-2190 12



KEY	LV	PART NUMBER	Q'TY	DESCRIPTION	APPLICATION	REMARKS	INF. NR
		123000-40030		CARBURETOR WZ-24			
2	+	130313-26030	1	COVER, AIR CLEANER			
3	+	130311-26030	1	PLATE, CLEANER			
4	+	130310-26030	1	FILTER, AIR			
5	+	123157-26030	1	PLATE, MOUNT. SLEEVE			
6	+	123125-26030	1	GASKET, PUMP			
7	+	123112-26030	1	DIAPHRAGM, FUEL PUMP			
8	+	123160-26030	1	PLATE, PUMP			
9	+	123159-26030	1	GASKET, PLATE			
10	+	123124-26030	1	COVER, PUMP			
11	+	123162-26030	1	GASKET, OVERFLOW			
12	+	123163-26030	1	BRACKET, PRIMER PUMP			
13	+	123126-03930	1	SCREEN, INLET			
14	+	123110-26030	5	SCREW			
15	+	123181-40630	1	PUMP, PRIMER			
16	+	123140-03930	1	GASKET, M. DIAPHRAGM			
17	+	123137-19830	1	VALVE, INLET NEEDLE			
18	+	123138-03930	1	PIN, METERING LEVER			
19	+	123122-03930	1	SPRING, METER. LEVER			
20	+	123123-03930	1	LEVER, METERING			
21	+	123141-03930	1	DIAPHRAGM, METERING			
22	+	123142-03930	1	COVER, M. DIAPHRAGM			
23	+	123158-26030	1	SLEEVE, MOUNTING			
24	+	123173-07930	1	RING			
25	+	123149-26030	1	WASHER			
26	+	123172-26030	1	SWIVEL			
27	+	123116-40030	1	VALVE, THROTTLE			
28	+	130316-26030	1	SPRING, FILTER			
29	+	123143-40030	1	RING, PACKING			
30	+	123128-26030	1	BRACKET, CABLE			



KEY	LV	PART NUMBER	Q'TY	DESCRIPTION	APPLICATION	REMARKS	INF. NR
31	+	123114-26030	1	SCREW			
32	+	123134-40030	1	SCREW, IDLE ADJUST			
33	+	123133-26030	1	SPRING, IDLE ADJUST			
34	+	123144-26030	4	SCREW			
35	+	123119-26030	1	SPRING, H.S. NEEDLE			
36	+	123120-26030	1	NEEDLE, HIGH SPEED			
37	+	123130-26030	2	SCREW			
40	+	123147-26030	1	FILTER, WICK			
41	+	123175-26030	1	GASKET, INTAKE CAP			
42	+	123176-40030	1	CAP, INTAKE			



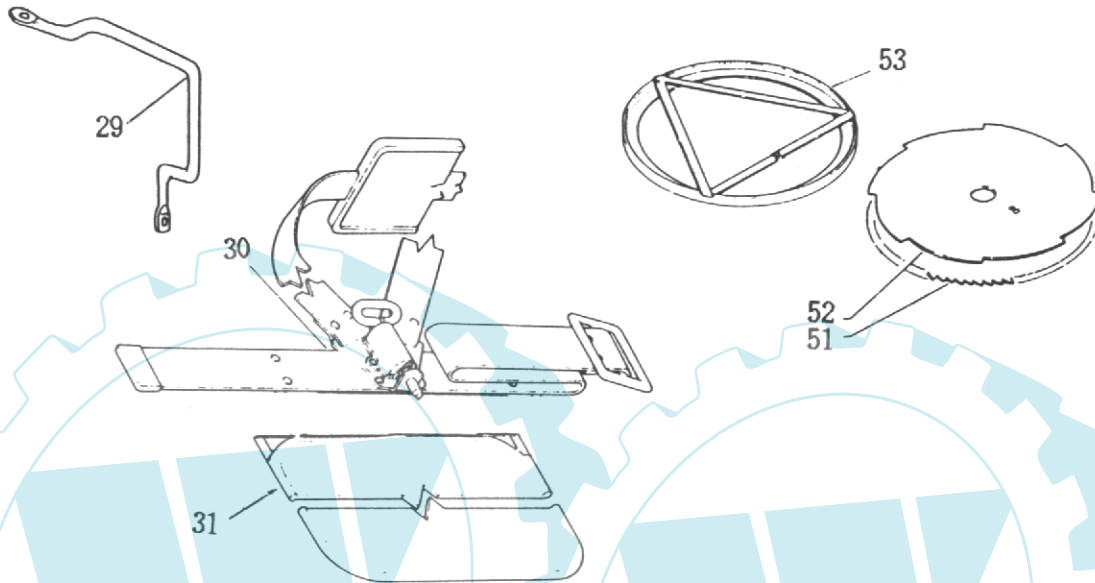
## INFORMATION (SRA-2190)

Please revise parts catalogue as follows.

1

8

9



Key	Delete	Q'ty	Insert	Q'ty	Description
1-29			159 912-4163 0	1	Guard
5-16	159 010-1063 0	1	159 010-1023 0	1	Plug, spark
8-30	301 000-0533 0	1	301 000-4133 0	1	Harness, shoulder
31			301 105-0923 0	1	Pad, west
33	890 160-4673 0	1	890 617-2723 1	1	Label, caution
33			890 623-2723 1	1	Label, caution
9- 8	610 400-4163 0	1	610 400-4673 0	1	Housing assembly, gear
31	610 313-2283 0	1	610 313-4673 0	1	Plate, adapter
32	610 314-2273 0	1	610 314-0603 0	1	Plate, adapter
51			695 001-0893 0	1	Saw, circular
52			696 001-0893 0	1	Blade, 8-cutter
53			898 503-0593 0	1	Cover, blade



**KIORITZ CORPORATION**

7-2, SUEHIROCHO 1-CHOME, OHME, TOKYO 198, JAPAN  
PHONE 0428-32-6118, FAX 0428-32-6145, TELEX 2852070 KIORIT J

