

Stand 19.02.2002

ERSATZTEILLISTE

**ECHO Motorsense
rückentragbar**

RM-380

ECHO-Motorgeräte
Vertrieb Deutschland GmbH
Otto-Schott-Str. 7

72555 Metzingen

Telefon 07123-1091
Telefax 07123-2589
<http://www.echo-shop.de>
email: info@echo-shop.de

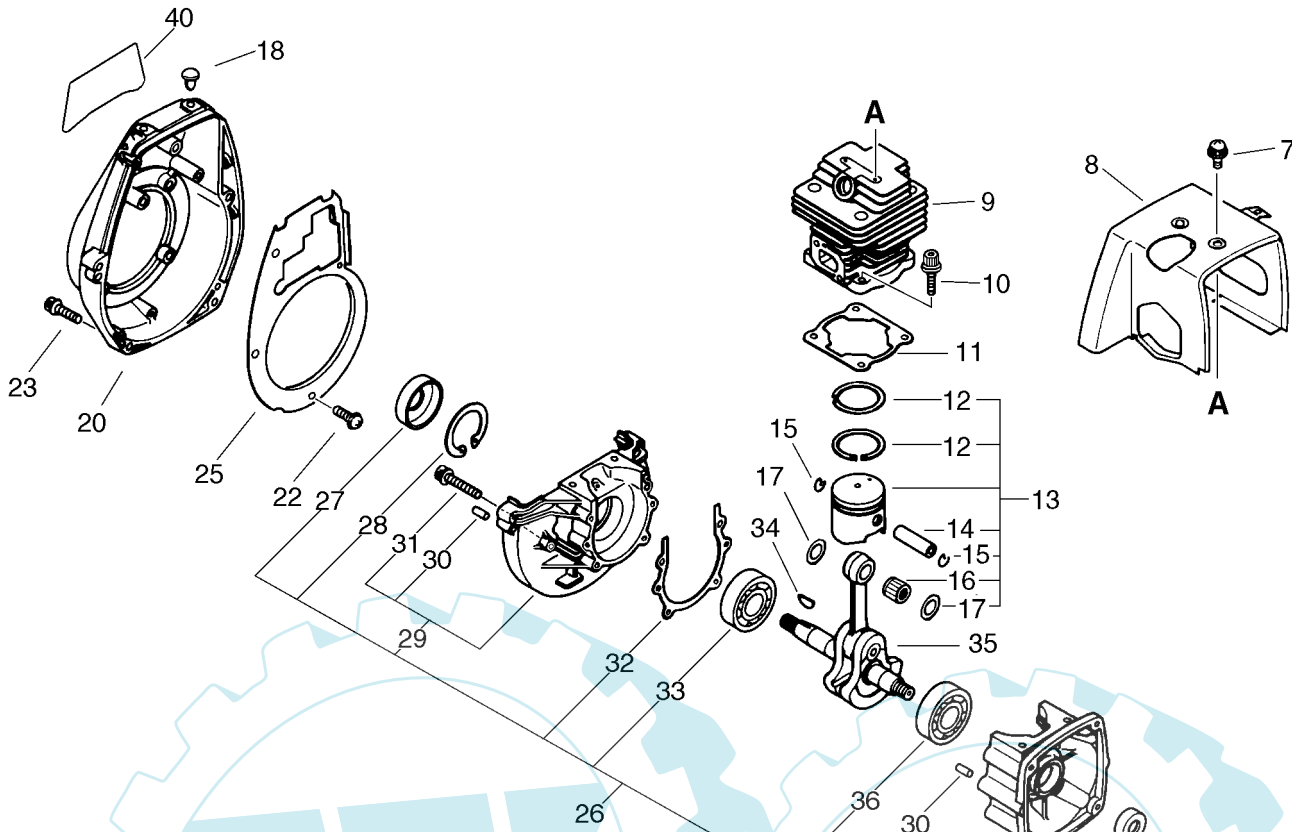


Bild	Artikelnummer	Anzahl	Beschreibung	Anmerkung
7	900238-05010	2	SCREW 5*10	
8	101514-42230	1	COVER, CYLINDER (BS)	
9	101011-43130	1	CYLINDER	RM-380
9	101011-43230	1	CYLINDER	RM-460
10	900162-05020	4	BOLT, H.S. 5*20	
11	101010-42231	1	GASKET, CYL. BASE	
13	100000-43130	1	PISTON KIT	Sus. by 100000-43131
13	100000-43131	1	PISTON KIT	RM-380
13	100000-43230	1	PISTON KIT	Sus. by 100000-43231
13	100000-43231	1	PISTON KIT	RM-460
12	+ 100011-42230	2	RING, PISTON	RM-380
12	+ 100011-43230	2	RING, PISTON	RM-460
14	+ 100013-00410	1	PIN, PISTON	
15	+ 100015-00120	2	CIRCLIP, PISTON PIN	
16	+ 100012-12331	1	BEARING, NEEDLE	
17	+ 100014-17330	2	SPACER, PISTON PIN	Sus. by V307-000050
17	+ V307-000050	2	WASHER, CIRCULAR 10	
18	880517-40030	1	PLUG	
20	101511-42230	1	COVER, FAN (BS)	
22	900238-04010	4	SCREW 4*10	
23	900162-05025	4	BOLT, H.S. 5*25	
25	101534-42230	1	PLATE, GUIDE	
26	100204-42230	1	CRANKCASE KIT	
27	+ 100213-02830	1	OILSEAL	
28	+ 900702-00035	1	CIRCLIP 35	
29	+ 100200-42230	1	CRANKCASE SET	
30	++ 100215-02830	4	PIN, DOWEL	
31	++ 900162-05030	4	BOLT, H.S. 5*30	
32	+ 100242-42230	1	GASKET, CRANKCASE	
33	+ 900810-36202	1	BEARING, BALL 6202	
36	+ 900810-36201	1	BEARING, BALL 6201	Sus. by 94035-36201
36	+ 94035-36201	1	BEARING BALL	
37	+ 100212-27930	1	OILSEAL	
34	100142-12330	1	KEY, WOODRUFF	
35	100100-43130	1	CRANKSHAFT ASY	
40	890115-42230	1	LABEL, MODEL	RM-380
40	890112-51630	1	LABEL, MODEL	RM-460

Ersatzteilliste RM-380

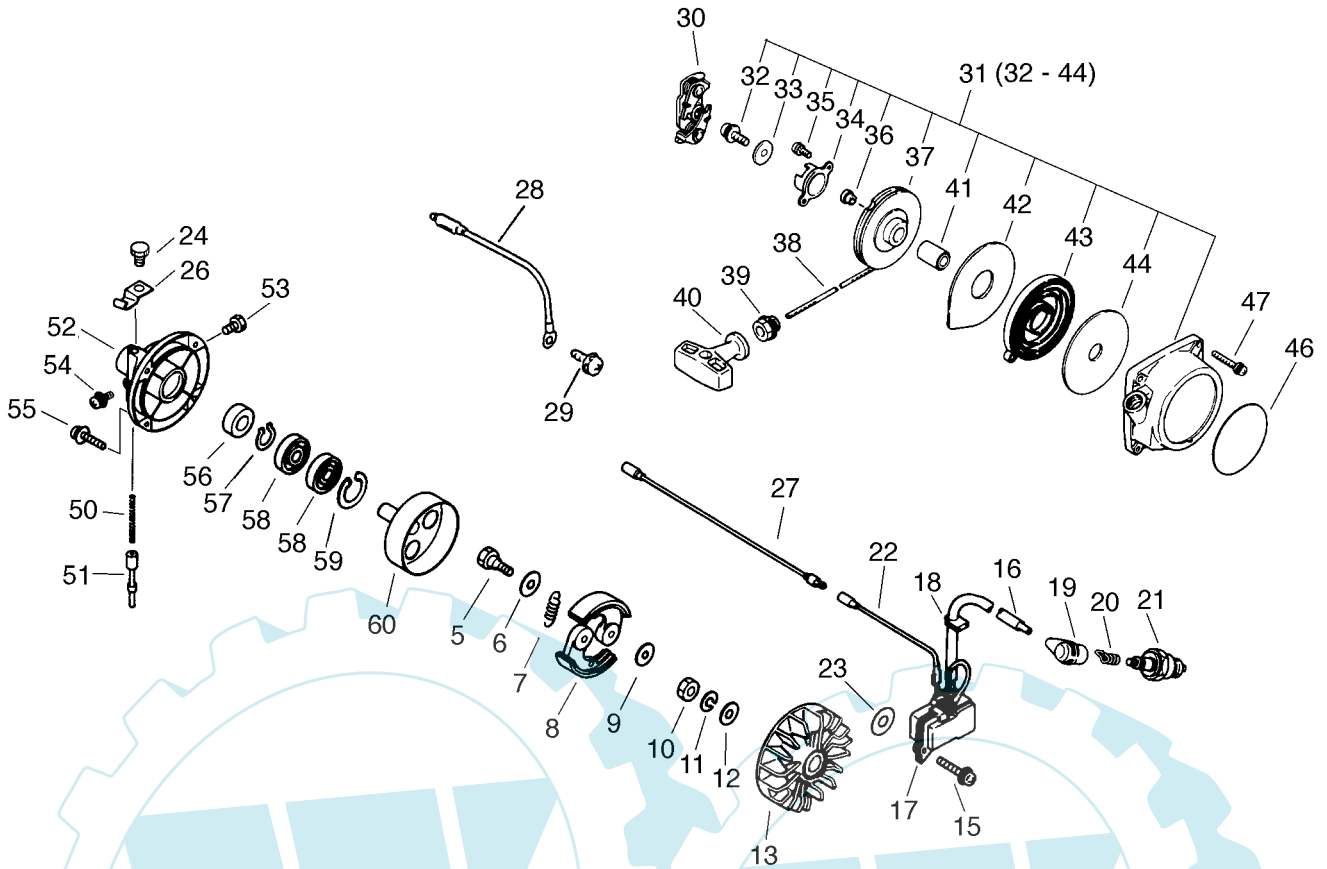


Bild	Artikelnummer	Anzahl	Beschreibung	Anmerkung
5	175046-06230	2	BOLT, CLUTCH	
6	175048-03920	2	WASHER	
7	175018-42230	1	SPRING, CLUTCH	
8	175009-42231	2	SHOE, CLUTCH	
9	175049-03920	2	WASHER	
10	900503-00010	1	NUT 10 (3N *1.25)	
11	900605-00010	1	WASHER, SPRING 10	
12	900600-00010	1	WASHER 10	
13	156801-42230	1	FLYWHEEL	
15	900238-05020	2	SCREW 5*20	
16	178127-46630	1	TUBE	
17	156626-42230	1	COIL, IGNITION	Sus. by set of 156601-12920 and 900600-00006
17	156601-12920	1	COIL, IGNITION	
18	156112-28230	1	GROMMET	
19	159012-03433	1	CAP, SPARK PLUG	
20	159011-03432	1	COIL, SPARK PLUG CAP	
21	159017-10230	1	PLUG, SPARK (RCJ-7Y)	
22	162021-42230	1	LEAD	
23	900600-00006	2	WASHER 6	
24	610250-07130	1	BOLT	
26	178111-51630	1	HOLDER, CABLE	
27	162014-42230	1	LEAD, GROUND	
28	162010-27230	1	LEAD	
29	900238-05010	1	SCREW 5*10	
30	177305-40530	1	PAWL ASSY, STARTER	
31	177200-42230	1	STARTER ASY	
32 +	900238-05014	1	SCREW 5*14	

Bild	Artikelnummer	Anzahl	Beschreibung	Anmerkung
33 +	177214-02830	1	WASHER	
34 +	177243-04130	1	CATCHER, PAWL	
35 +	900241-04008	2	SCREW 4*8	
36 +	177246-03930	1	CLIP, STARTER ROPE	
37 +	177215-04130	1	DRUM, STARTER	
38 +	177226-27430	1	ROPE, STARTER	
39 +	177227-05020	1	GUIDE, ROPE	
40 +	177228-19830	1	GRIP, STARTER	
41 +	177216-12330	1	COLLAR	
42 +	177242-06721	1	PLATE, STARTER	
43 +	177220-03930	1	SPRING, REWIND	
44 +	177221-06720	1	PLATE, STARTER	
46	890118-49330	1	LABEL, ECHO	
47	900162-04020	4	BOLT, H.S. 4*20	
50	610251-07130	1	SPRING	
51	610252-07130	1	LOCKPIN	
52	610223-42230	1	FLANGE, D.S. HOUSING	
53	900100-06008	1	BOLT 6*8	
54	900238-04008	1	SCREW 4*8	
55	900238-05016	4	SCREW 5*16	
56	175313-20430	1	RING, FELT	
57	900701-00012	1	CIRCLIP 12	
58	900802-06001	2	BEARING, BALL 6001	Sus. by 94042-06001
58	94042-06001	2	BEARING BALL	
59	900702-00028	1	CIRCLIP 28	
60	175005-42230	1	DRUM, CLUTCH	

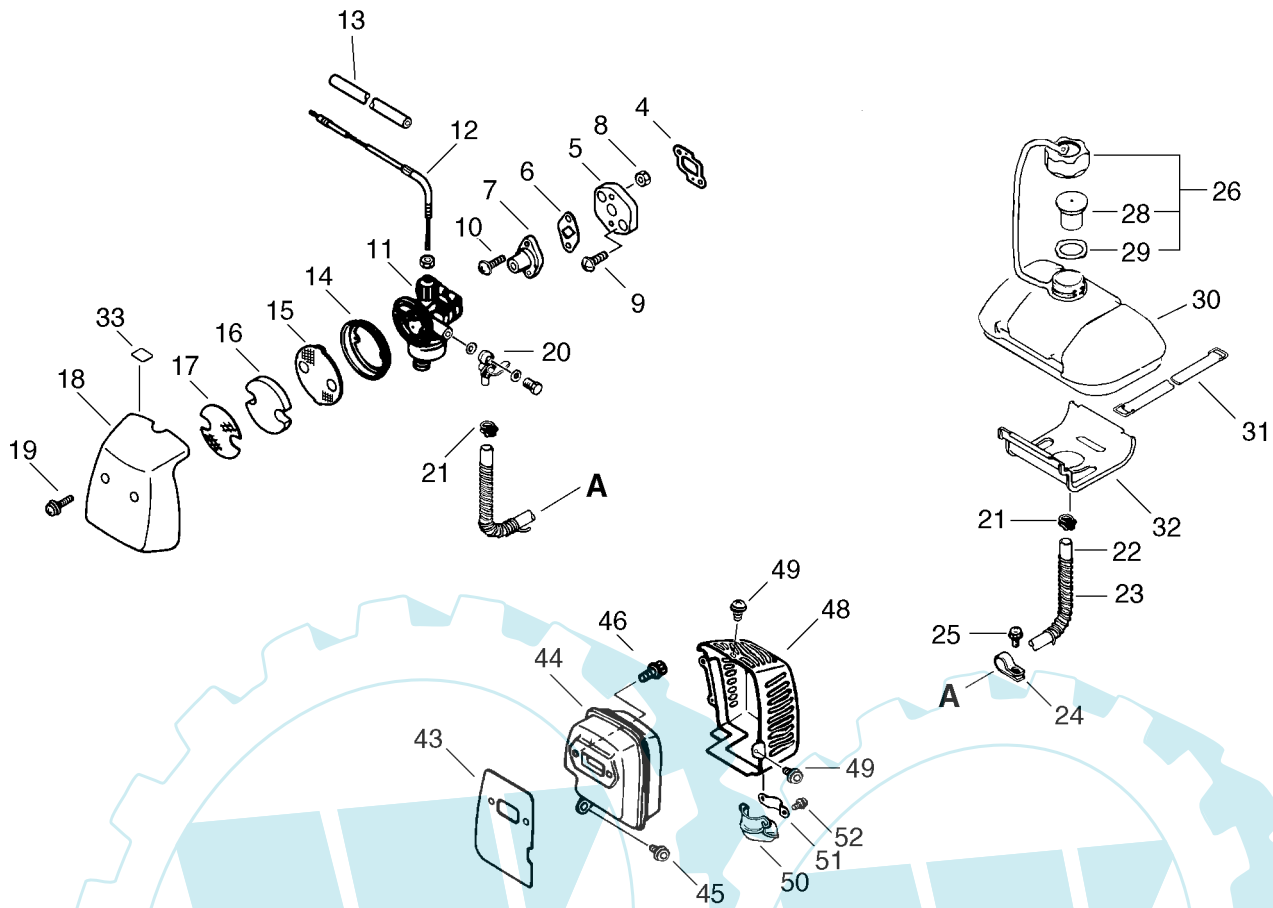


Bild	Artikelnummer	Anzahl	Beschreibung	Anmerkung
4	130016-42231	1	GASKET, INTAKE	
5	130017-42230	1	INSULATOR	
6	130010-22430	1	GASKET, INSULATOR	
7	130510-22431	1	ADAPTER, INTAKE	
8	900500-00005	2	NUT 5	
9	900238-05014	2	SCREW 5*14	
10	900238-05018	2	SCREW 5*18	
11	120000-42231	1	CARBURETOR ASY	
12	178004-42230	1	WIRE, THROTTLE	
13	178127-04930	1	TUBE	
14	130314-27930	1	CASE, AIR CLEANER	
15	130319-27930	1	GRID, AIR CLEANER	
16	130310-27930	1	FILTER, AIR	
17	130311-27930	1	GRID, AIR CLEANER	
18	130307-42230	1	CASE, AIR CLEANER	
19	900238-04022	2	SCREW 4*22	
20	132200-00512	1	VALVE ASS'Y, FUEL	
21	132013-00360	2	CLIP, PIPE	
22	132010-22030	1	PIPE, FUEL	
23	132015-22030	1	COIL, FUEL PIPE	

Bild	Artikelnummer	Anzahl	Beschreibung	Anmerkung
24	132112-22031	1	CLIP, FUEL PIPE	
25	900238-05010	1	SCREW 5*10	
26	131604-42230	1	CAP ASY, FUEL TANK	Sus. by 131600-42230
26	131600-42230	1	CAP ASY, FUEL TANK	
28 +	131003-21230	1	CUP SET, VENT	
29 +	131016-21060	1	GASKET, FUEL CAP	
30	131010-22030	1	TANK, FUEL	
31	131917-21530	2	BAND, FUEL TANK	
32	131920-22030	1	CUSHION	
33	890121-42230	1	LABEL, CHOKE	
43	145510-42231	1	GASKET, MUFFLER	
44	145610-42231	1	MUFFLER (BL)	
45	900238-05014	1	SCREW 5*14	
46	900162-05020	2	BOLT, H.S. 5*20	
48	145906-42230	1	COVER, MUFFLER	
49	900238-04010	3	SCREW 4*10	
50	145606-29930	1	LID, MUFFLER	
51	145665-21530	1	BRACKET, EXHAUST	
52	900238-04008	2	SCREW 4*8	

Ersatzteilliste RM-380

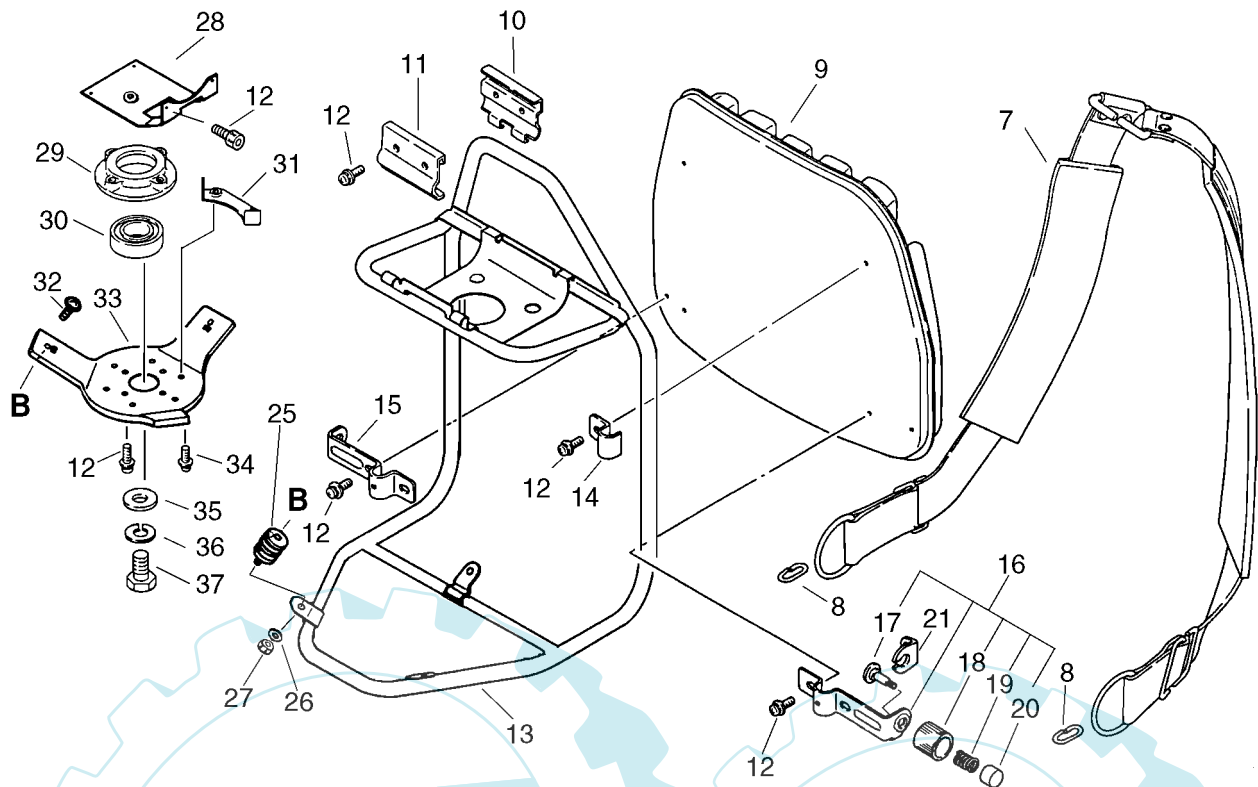


Bild	Artikelnummer	Anzahl	Beschreibung	Anmerkung
7	300300-50130	1	HARNESS, BACKPACK	
8	300319-01611	2	RING, HARNESS	
9	300105-27630	1	CUSHION	
10	300610-42230	1	PLATE	
11	300616-42230	1	PLATE, KNAPSACK BAND	
12	900238-05012	14	SCREW 5*12	
13	300005-42231	1	FRAME, BACKPACK	
14	300220-42230	2	BRACKET, CUSHION	
15	300226-42231	1	PLATE	
16	300200-42231	1	BRACKET,ASY	
17	+ 300715-27630	1	SHAFT	
18	+ 300717-27630	1	GUARD	
19	+ 300713-27630	1	SPRING	
20	+ 300711-27630	1	BUTTON	
21	300716-27630	1	PLATE	
25	100907-14730	3	CUSHION	
26	900605-00005	3	WASHER, SPRING 5	
27	900500-00005	3	NUT 5	
28	104908-42230	1	BRACKET	
29	699226-05430	1	HOLDER, BEARING	
30	900814-06202	1	BEARING, BALL 6202	
31	104931-27630	1	STOPPER	
32	900238-05010	3	SCREW 5*10	
33	104925-42230	1	RETAINER	
34	900238-04010	2	SCREW 4*10	
35	900600-00010	1	WASHER 10	
36	900605-00010	1	WASHER, SPRING 10	
37	900100-10020	1	BOLT 10*20	



Ersatzteilliste RM-380

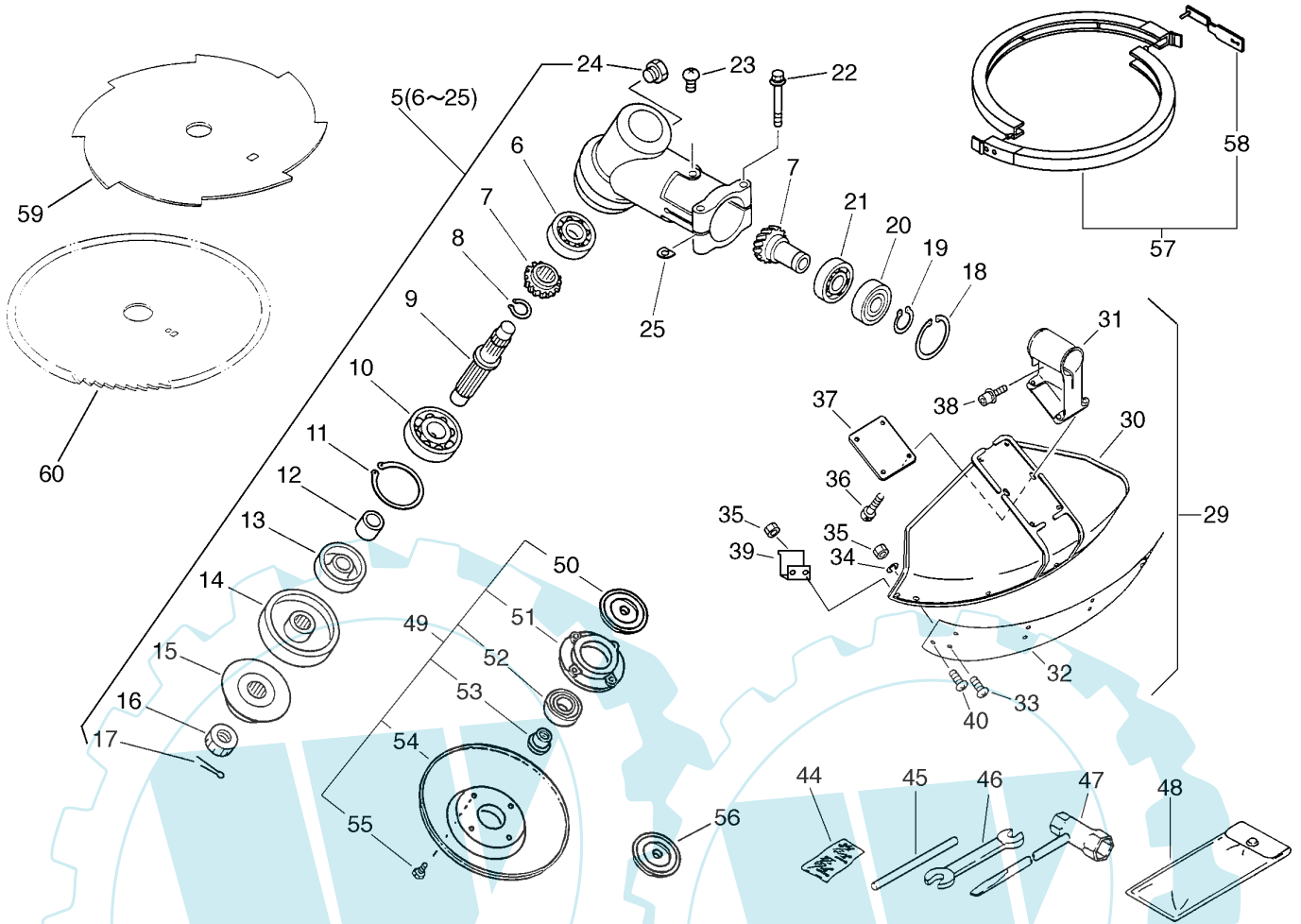


Bild	Artikelnummer	Anzahl	Beschreibung	Anmerkung	Bild	Artikelnummer	Anzahl	Beschreibung	Anmerkung
5	610400-42230	1	HOUSING ASY, GEAR		33	+ 900242-05014	4	SCREW 5*14	
6	+ 900800-36000	1	BEARING, BALL 6000		34	+ 900603-00005	4	WASHER 5	
7	+ 610300-42230	1	GEAR SET		35	+ 900500-00005	6	NUT 5	
8	+ 900706-00012	1	CIRCLIP 12		36	+ 900242-05018	4	SCREW 5*18	
9	+ 610310-07130	1	SHAFT, P.T.O.		37	+ 699015-52130	1	PLATE, SHIELD	
10	+ 900810-06201	1	BEARING, BALL 6201		38	+ 900142-05025	2	BOLT 5*25 (W/W,SW)	
11	+ 900702-00032	1	CIRCLIP 32		39	+ 699016-54530	1	KNIFE, CORD	
12	+ 610315-07130	1	SPACER		40	+ 900242-05012	2	SCREW 5*12	
13	+ 610413-07130	1	OILSEAL		44	898502-01130	1	PIN 2*22 (W/POUCH)	
14	+ 610313-07130	1	PLATE, ADAPTER (U)		45	897518-01131	1	LOCKING TOOL	
15	+ 610314-07130	1	PLATE, ADAPTER (L)		46	895112-00330	1	SPANNER 8*10	
16	+ 900511-00010	1	NUT 10 (L-H)		47	895410-08030	1	WRENCH, W/S. DRIVER	
17	+ 900300-20022	1	PIN, SPLIT 2*22		48	898510-39130	1	BAG, TOOL	
18	+ 900702-00028	1	CIRCLIP 28		49	699200-07131	1	CU ASY, FREE	
19	+ 900701-00012	1	CIRCLIP 12		50	+ 610333-07130	1	PLATE, ADAPTER (L)	
20	+ 900807-06001	1	BEARING, BALL 6001		51	+ 699226-05430	1	HOLDER, EARING	
21	+ 900800-06001	1	BEARING, BALL 6001		52	+ 900814-06202	1	BEARING, BALL 6202	
22	+ 900142-05030	2	BOLT 5*30 (W/W,SW)		53	+ 699227-04630	1	NUT	
23	+ 900242-05010	1	SCREW 5*10		54	+ 699228-08930	1	PLATE, COVER	
24	+ 610434-50030	1	BOLT 8* 6	Sus. by 610434-50031	55	+ 900141-05012	4	BOLT 5*12	
24	+ 610434-50031	1	BOLT 8* 8		56	610336-07131	1	PLATE, ADAPTER (L)	
25	+ 610239-04130	2	WASHER, SHIM		57	898503-50030	1	SCABBARD KIT, BLADE	
29	699001-50430	1	SHIELD ASY		58	+ 898562-43230	1	FIXTURE, SCABBARD	
30	+ 699010-54430	1	SHIELD, BLADE		59	696001-55630	1	BLADE, 8-CUTTER 10IN	
31	+ 699011-43130	1	BRACKET, SHIELD		60	695001-55630	1	SAW, CIRCULAR 10*80T	
32	+ 699013-52130	1	PLATE, SHIELD						

Ersatzteilliste RM-380

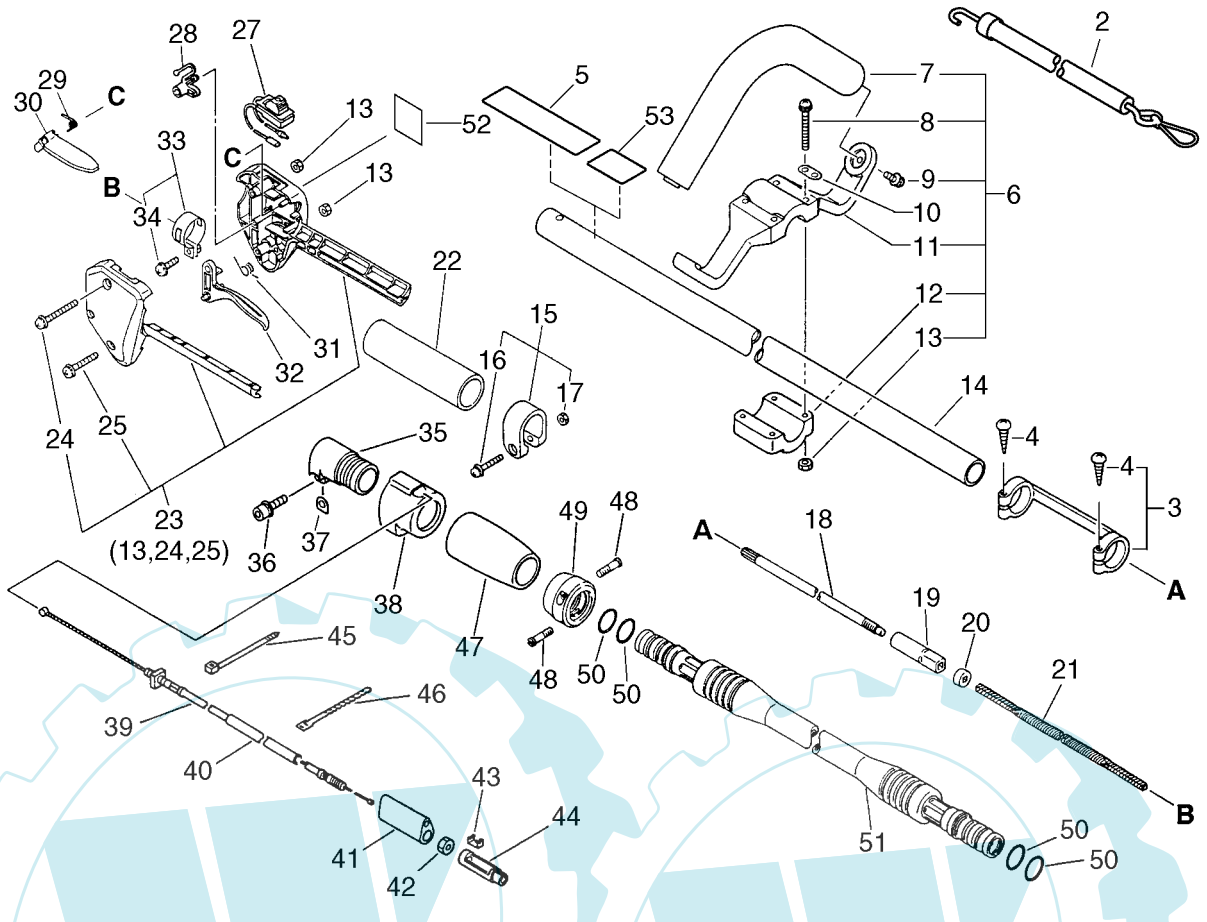


Bild	Artikelnummer	Anzahl	Beschreibung	Anmerkung	Bild	Artikelnummer	Anzahl	Beschreibung	Anmerkung
2	300500-07131	1	ROPE, ELASTIC		28	178012-52630	1	LOCKOUT, THROTTLE	
3	610281-42230	1	COLLER		29	178013-52630	1	SPRING, THR. LOCK	
4	+ 900253-04025	2	SCREW 4*25		30	178090-52630	1	LOCKOUT, T. CONTROL	
5	890617-46830	1	LABEL, CAUTION	Sus. by 890617-43130	31	178043-42230	1	SPRING, THR. RETURN	
5	890617-43130	1	LABEL, CAUTION		32	178010-52130	1	CONTROL, THROTTLE	
6	351201-07131	1	HANDLE ASY, LOOP		33	301200-42230	1	HOOK ASY	
7	+ 351205-07130	1	HANDLE		34	+ 900238-05012	1	SCREW 5*12	
8	+ 900242-05035	4	SCREW 5*35		35	610248-42230	1	CONNECTOR	
9	+ 900242-05014	2	SCREW 5*14		36	900162-05020	1	BOLT, H.S. 5*20	
11	+ 351232-07130	1	BRACKET, HANDLE 28		37	610239-04130	1	WASHER, SHIM	
12	+ 351225-06930	1	BRACKET, LOOP HANDLE		38	610275-42230	1	BOOT, CONNECTOR	
13	+ 900500-00005	4	NUT 5		39	178001-51630	1	WIRE, THROTTLE	
10	300515-07130	1	PLATE, ROPE SET		40	178127-42230	1	TUBE	
14	610206-42230	1	HOUSING ASY, D.SHFT		41	178128-22130	1	SLEEVE	
15	610272-51830	1	BAND		42	178021-05530	1	LOCKNUT	
16	+ 900242-05028	1	SCREW 5*28		43	178049-06630	1	CONNECTOR	
17	+ 900500-00005	1	NUT 5		44	178114-05630	1	CONNECTOR, THR. WIRE	
18	610011-42230	1	SHAFT, DRIVE		45	178121-10050	1	BAND	
19	610025-07130	1	CONNECTER		46	178121-45930	1	BAND	
20	610020-07131	1	ADAPTER, FLX. SHAFT		47	610276-27631	1	COVER	
21	610013-27630	1	SHAFT, FLEXIBLE(HARD		48	610257-27630	2	BOLT	
22	351213-51830	1	GRIP, FRONT HANDLE		49	610260-27630	1	SPACER, D/S HOUSING	
23	178003-51830	1	BRACKET SET, THROTTLE		50	900720-00018	4	O-RING 18	
13	+ 900500-00005	2	NUT 5		51	610209-42230	1	COVER, FLEXIBLE	
24	+ 900242-05035	1	SCREW 5*35		52	890157-39130	1	LABEL, SWITCH	
25	+ 900238-05025	1	SCREW 5*25		53	890160-42230	1	LABEL, CAUTION	
27	163400-41630	1	SWITCH, IGNITION						

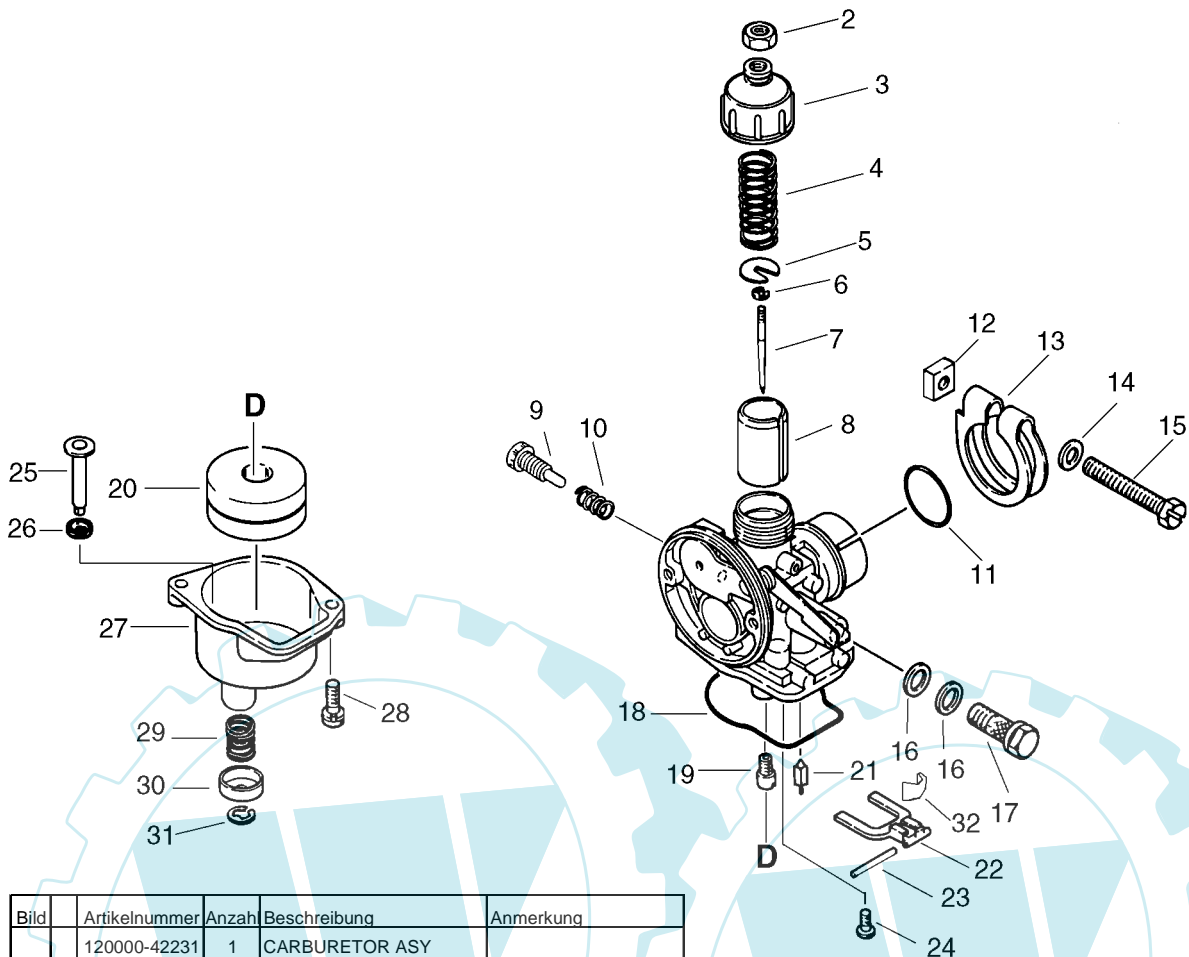
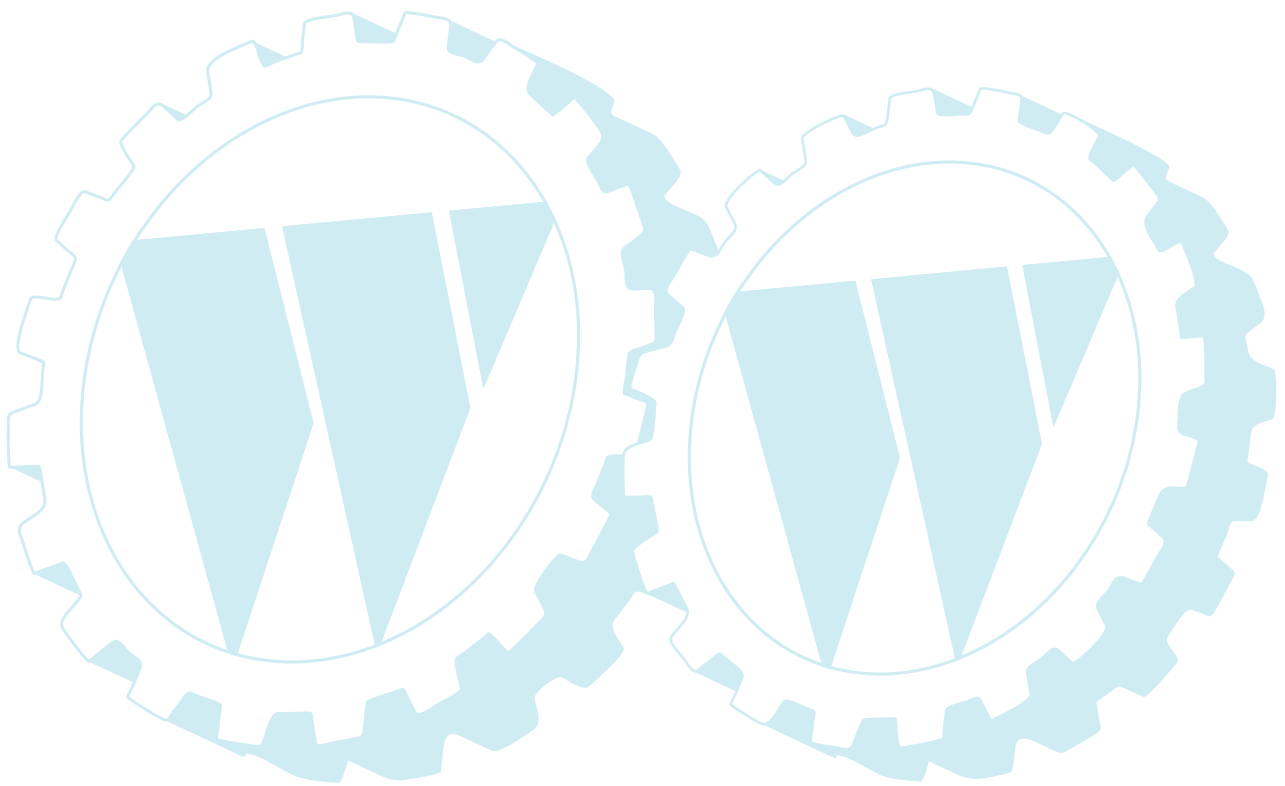
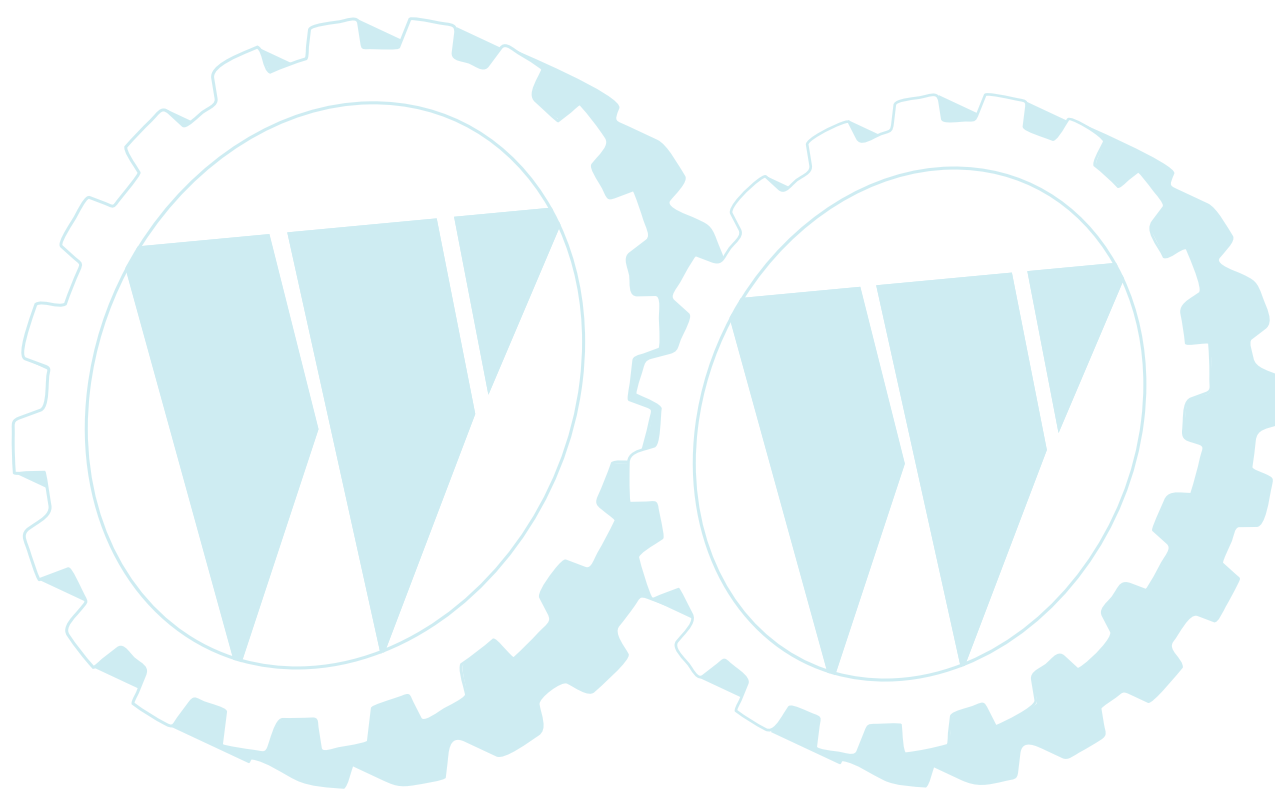
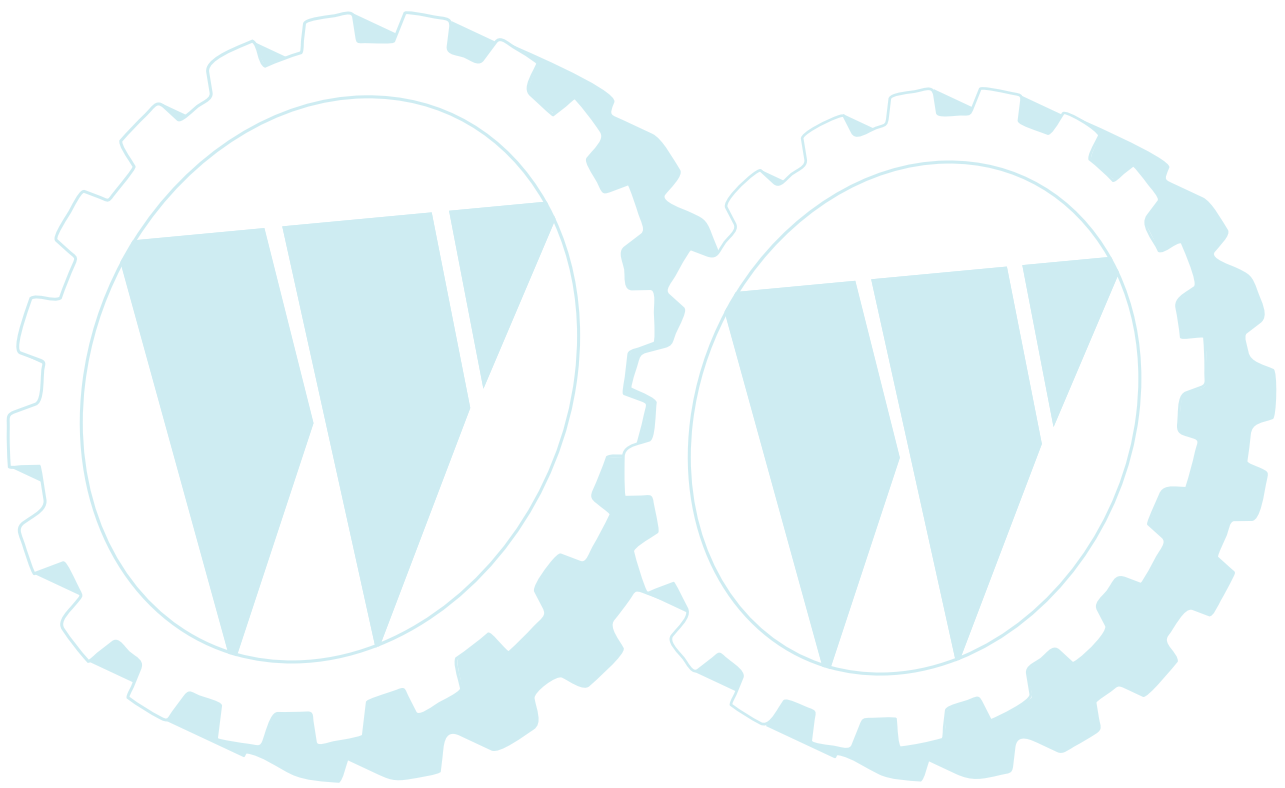


Bild	Artikelnummer	Anzahl	Beschreibung	Anmerkung
	120000-42231	1	CARBURETOR ASY	
2	+ 120111-04730	1	NUT	
3	+ 120113-10211	1	COVER, TOP	
4	+ 120114-01820	1	SPRING, THROTTLE	
5	+ 120115-08020	1	SEAT, SPRING	
6	+ 120116-10211	1	E-RING	
7	+ 120103-45530	1	NEEDLE, JET W/CLIP	
8	+ 120118-27430	1	VALVE, THROTTLE	
9	+ 120159-04731	1	SCREW, IDLE SPEED	
10	+ 120160-01321	1	SPRING	
11	+ 120149-05730	1	GASKET	
12	+ 120151-10210	1	NUT, OUTLET CLIP	
13	+ 120146-10210	1	CLIP, OUTLET	
14	+ 900600-00005	1	WASHER 5	
15	+ 120147-08020	1	BOLT	
16	+ 120130-10210	2	GASKET	
17	+ 120131-00120	1	BOLT, BANJO	
18	+ 120123-10210	1	GASKET, F. CHAMBER	
19	+ 120122-05730	1	JET, MAIN	
20	+ 120133-05730	1	FLOAT	
21	+ 120120-27431	1	VALVE, NEEDLE	
22	+ 120121-27430	1	ARM, FLOAT	
23	+ 120132-10211	1	PIN, FLOAT ARM	
24	+ 900220-04006	1	SCREW 4*6	
25	+ 120177-03311	1	SHAFT, LINK	
26	+ 120178-03311	1	O-RING	
27	+ 120124-03311	1	CHAMBER, FLOAT	
28	+ 900242-04012	2	SCREW 4*12	
29	+ 120179-28930	1	SPRING, COIL	
30	+ 120180-03311	1	COLLAR	
31	+ 120181-03312	1	CLIP	
32	+ 120182-22430	1	CLIP	







ECHO®

Motorgeräte

die geh'n ran

