

ERSATZTEILLISTE

**Bläser
PB-650**

**ECHO-Motorgeräte
Vertrieb Deutschland GmbH
Otto-Schott-Str. 7**

72555 Metzingen

**Telefon 07123-1091
Telefax 07123-2589
<http://www.echo-shop.de>
[email:info@echo-shop.de](mailto:info@echo-shop.de)**

Motor

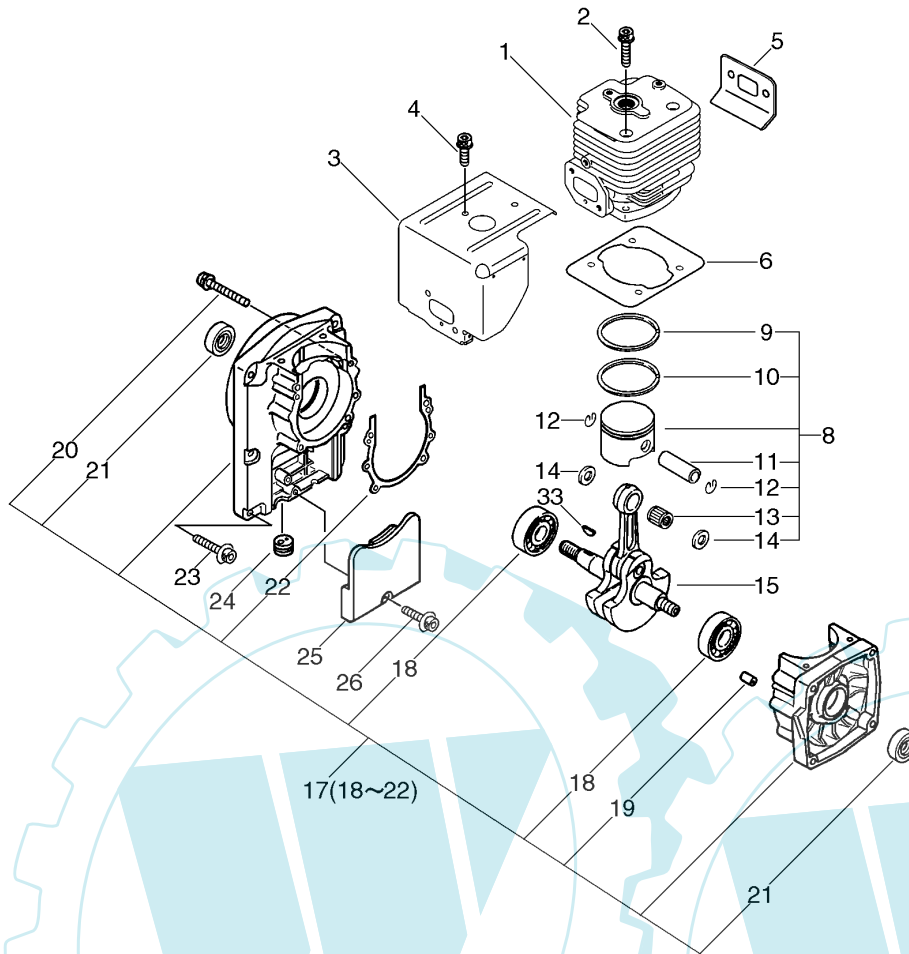


Bild	Artikelnummer	Anzahl	Beschreibung	Anmerkung
1	16-A130-000250	1	CYLINDER	Sus. by A130-000251
1	16-A130-000251	1	CYLINDER	
2	16-900162-05022	4	BOLT, H.S. 5*22	
3	16-A160-000340	1	COVER,CYLINDER	
4	16-900106-05008	2	BOLT, H.S. 5* 8	
5	16-V104-000250	1	GASKET,EXHAUST	
6	16-V100-000050	1	GASKET,CYL	Sus. by V100-000051
6	16-V100-000051	1	GASKET,CYL	
8	16-P021-002980	1	PISTON KIT	Sus. by P021-002981
8	16-P021-002981	1	PISTON KIT	
9 +	16-A101-000030	1	RING,PISTON	
10 +	16-A101-000020	1	RING,PISTON	
11 +	16-V608-000010	1	PIN,ENG 10	
12 +	16-100015-00120	2	CIRCLIP, PISTON PIN	
13 +	16-V555-000010	1	BEARING,NEEDLE 10	
14 +	16-V307-000060	2	WASHER,CIRCULAR 10	
15	16-A011-000140	1	CRANKSHAFT,ASM	
17	16-P021-002990	1	CRANKCASE KIT	
18 +	16-94032-36302	2	BEARING BALL	
19 +	16-100215-03930	2	PIN, DOWEL	
20 +	16-900162-05035	4	BOLT, H.S. 5*35	
21 +	16-V508-000010	2	SEAL,OIL 15	
22 +	16-V102-000010	1	GASKET,CRANKCASE	
23	16-900162-06035	6	BOLT, H.S. 6*35	
24	16-151112-04630	1	BUSHING	
25	16-159129-08260	1	COVER, DUST	
26	16-900162-05018	1	BOLT, H.S. 5*18	
33	16-900323-03014	1	KEY WOODRUFF	

Starter, Zündung, Auspuff

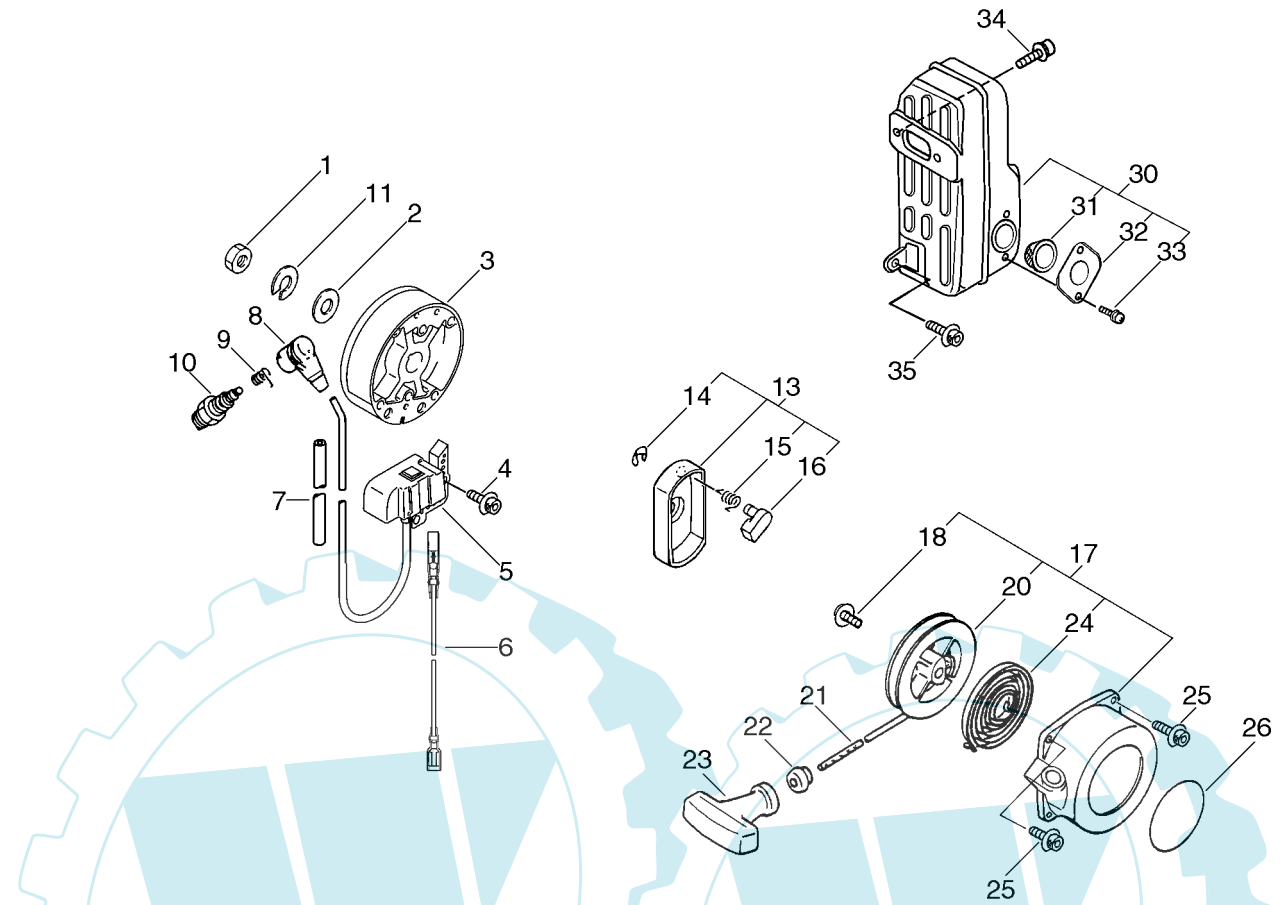


Bild	Artikelnummer	Anzahl	Beschreibung	Anmerkung
1	16-900501-00010	1	NUT 10*1.25	
2	16-900602-00010	1	WASHER 10(10.5*21*2)	
3	16-A409-000110	1	ROTOR,MAGNETO	
4	16-900162-05018	2	BOLT, H.S. 5*18	
5	16-A415-000000	1	MODULE, CDI	
6	16-V485-000190	1	LEAD	
7	16-156111-06160	1	TUBE 6.3*8*380	
8	16-159012-03433	1	CAP, SPARK PLUG	
9	16-159011-03432	1	COIL, SPARK PLUG CAP	
10	16-A425-000000	1	SPARKPLUG	
11	16-900605-00010	1	WASHER, SPRING 10	
13	16-A052-000040	1	PULLEY,ASM STARTER	
14	+ 16-P022-002100	1	E-RING	
15	+ 16-P022-003130	1	SPRING, RETURN	
16	+ 16-P022-003120	1	PAWL, STARTER	
17	16-A051-000200	1	STARTER,RECOIL	
18	+ 16-177236-06910	1	SCREW	
20	+ 16-P022-002080	1	DRUM, STARTER	
21	+ 16-177226-06310	1	ROPE, STARTER	
22	+ 16-177227-42030	1	GUIDE, ROPE	
23	+ 16-177228-11620	1	GRIP, STARTER	
24	+ 16-177220-06310	1	SPRING, REWIND	
25	16-900106-05016	4	BOLT, H.S. 5*16	
26	16-890118-17930	1	LABEL, ECHO	
30	16-P021-003000	1	MUFFLER ASY	
31	+ 16-A310-000000	1	SCREEN,ARRESTOR	
32	+ 16-A313-000310	1	GUIDE,EXH	
33	+ 16-91367-04010	2	SCREW	
34	16-91107-06020	2	BOLT HSH FLANGE	
35	16-900106-05016	1	BOLT, H.S. 5*16	

Luftfilter

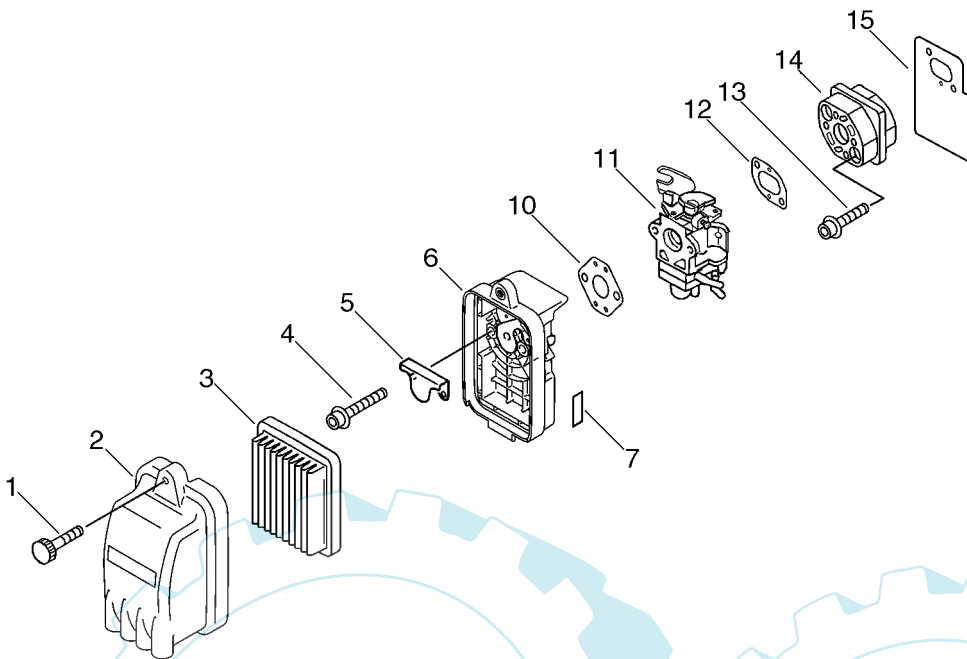


Bild	Artikelnummer	Anzahl	Beschreibung	Anmerkung
1	16-130406-20660	1	THUMB	
2	16-A232-000080	1	LID,CLEANER	
3	16-A226-000031	1	ELEMENT,AIR FILTER	
4	16-900105-05060	2	BOLT, H.S. 5*60	
5	16-129011-08260	1	PLATE	Sus. by A244-000040
5	16-A244-000040	1	PLATE,PREVENT	
6	16-P021-002521	1	CLEANER CASE ASY	
7	16-890332-52730	1	LABEL, CHOKE	
10	16-V103-000080	1	GASKET,INTAKE	
11	16-A021-000310	1	CARBURETOR,DIAPHRAGM	
12	16-V103-000140	1	GASKET,INTAKE	
13	16-900106-05025	2	BOLT, H.S. 5*25	
14	16-A200-000070	1	INSULATOR,INTAKE	
15	16-V103-000130	1	GASKET,INTAKE	

Benzintank

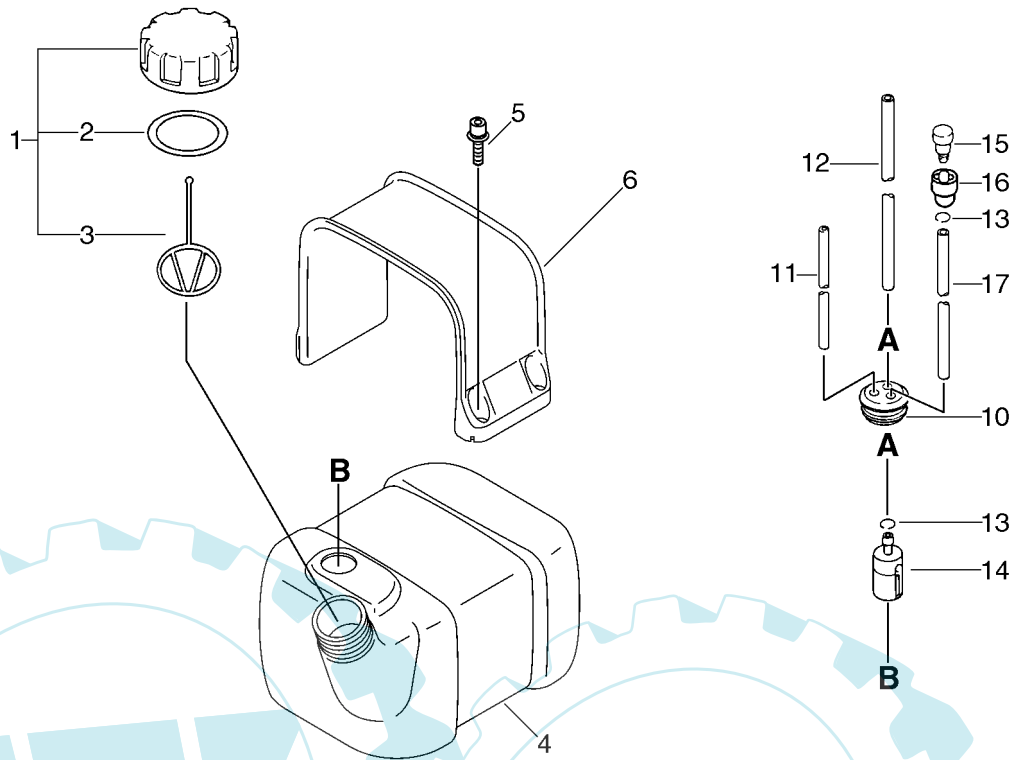


Bild	Artikelnummer	Anzahl	Beschreibung	Anmerkung
1	16-131004-55530	1	CAP ASY, FUEL TANK	
2	+ 16-131016-55830	1	GASKET, FUEL CAP	
3	+ 16-131051-56030	1	CLIP, FUEL CAP	
4	16-A350-000150	1	TANK,FUEL	
5	16-900106-05020	4	BOLT, H.S. 5*20	
6	16-A392-000000	1	BAND,FUEL TANK	
10	16-132115-55930	1	GROMMET, FUEL	
11	16-V471-000550	1	PIPE	
12	16-132010-35430	1	PIPE 3*6*230	
13	16-132013-26630	2	CLIP	
14	16-131205-19830	1	STRAINER, FUEL	
15	16-131300-56430	1	VALVE, CHECK	
16	16-131328-40630	1	COVER, VENT	
17	16-V471-000610	1	PIPE	

Lüftergehäuse mit Lüfter

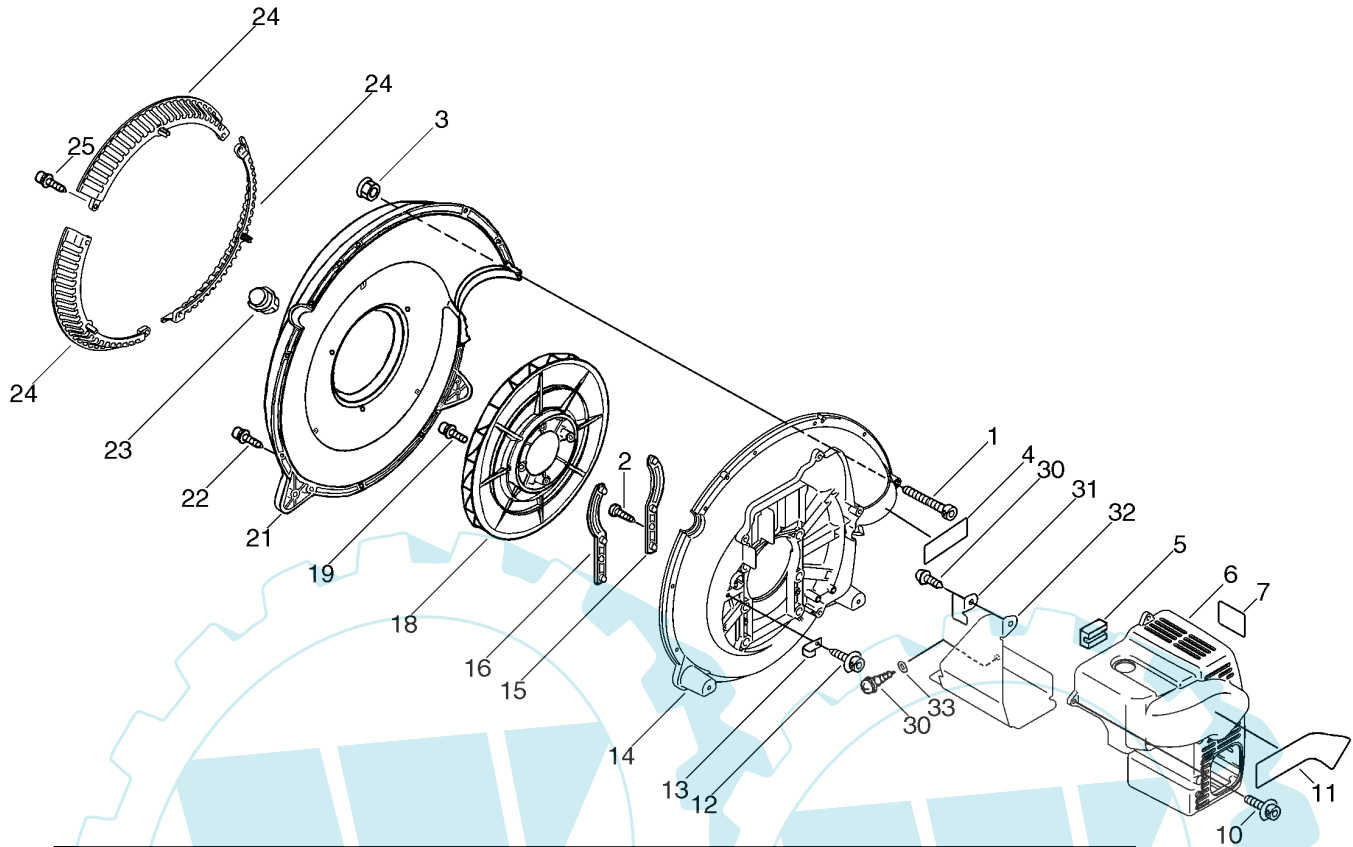


Bild	Artikelnummer	Anzahl	Beschreibung	Anmerkung
1	16-900105-05060	2	BOLT, H.S. 5*60	
2	16-900246-05014	2	SCREW 5*14	
3	16-900516-00005	2	NUT, FRANGE 5	
4	16-890160-09461	1	LABEL, CAUTION	
5	16-V420-000570	1	CUSHION	
6	16-A190-000110	1	COVER,ENGINE	
7	16-890160-06361	1	LABEL, CAUTION	
10	16-91145-05020	4	BOLT HS TAPPING	
11	16-X503-002650	1	LABEL,MODEL	
12	16-91145-05016	1	BOLT HS TAPPING	
13	16-178111-22330	1	CLIP	
14	16-E103-000130	1	CASE,FAN	
15	16-C632-000050	1	PLATE,ENG	
16	16-C632-000040	1	PLATE,ENG	
18	16-E100-000040	1	FAN,BLOWER	
19	16-900106-05030	4	BOLT, H.S.H. 5*30	
21	16-E103-000140	1	CASE,FAN	
22	16-91145-05020	12	BOLT HS TAPPING	
23	16-E109-000010	1	LID,FANCASE	
24	16-E104-000000	3	GRID,BLOWER	
25	16-91145-05020	3	BOLT HS TAPPING	
30	16-900253-05010	2	SCREW 5*10	
31	16-V152-000770	1	PLATE,ANGLE	
32	16-A322-000020	1	INSULATOR,MUFFLER	
33	16-900603-00005	1	WASHER 5	

Tragegestell

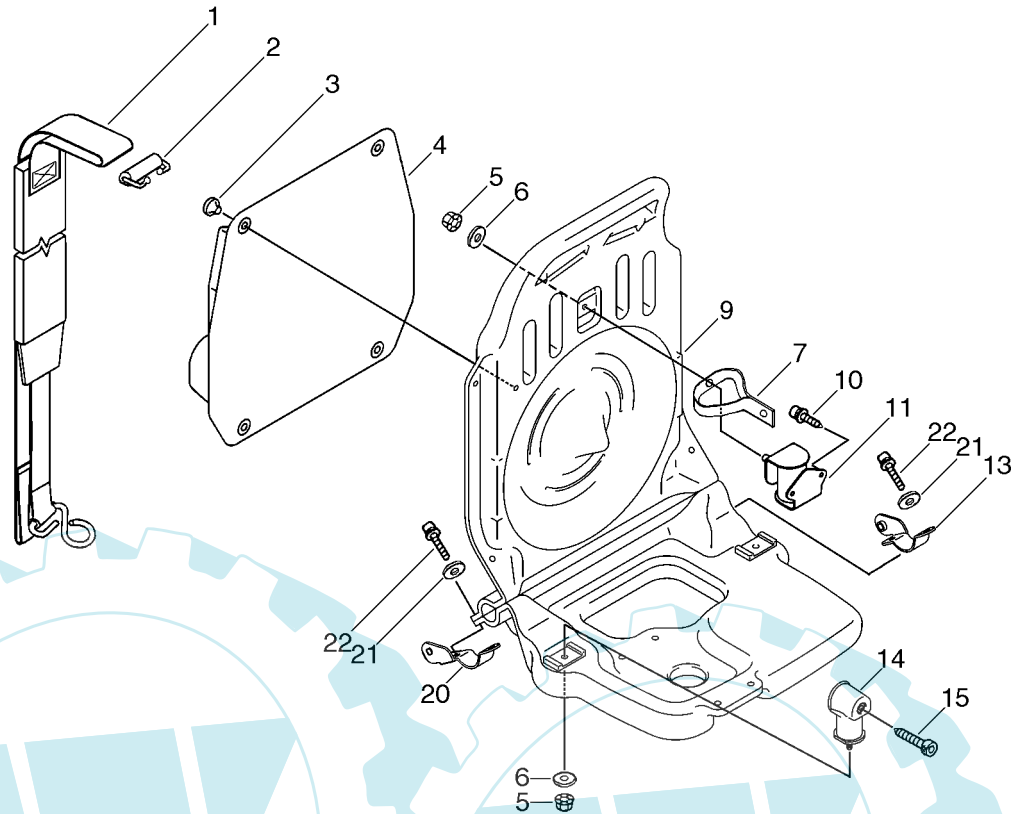


Bild	Artikelnummer	Anzahl	Beschreibung	Anmerkung
1	16-C061-000060	2	HARNESS,ASM BACKPACK	
2	16-V491-000040	2	CLIP	
3	16-300333-06160	4	CLIP	
4	16-300105-08260	1	CUSHION, KNAPSACK	
5	16-900516-00005	3	NUT, FRANGE 5	
6	16-613019-07350	3	WASHER 5.5*16*2T	
7	16-C617-000150	1	STOPPER	
9	16-C066-000000	1	FRAME,ASM BACKPACK	
10	16-91145-05016	2	BOLT HS TAPPING	
11	16-100905-08260	1	CUSHION	
13	16-C626-000010	1	FIXTURE,HARNESS	
14	16-V401-000070	2	CUSHION,5	
15	16-91145-05016	2	BOLT HS TAPPING	
20	16-C626-000030	1	FIXTURE,HARNESS	
21	16-613019-07350	4	WASHER 5.5*16*2T	
22	16-900105-05020	4	BOLT, H.S. 5*20	

Blasrohre, Werkzeug

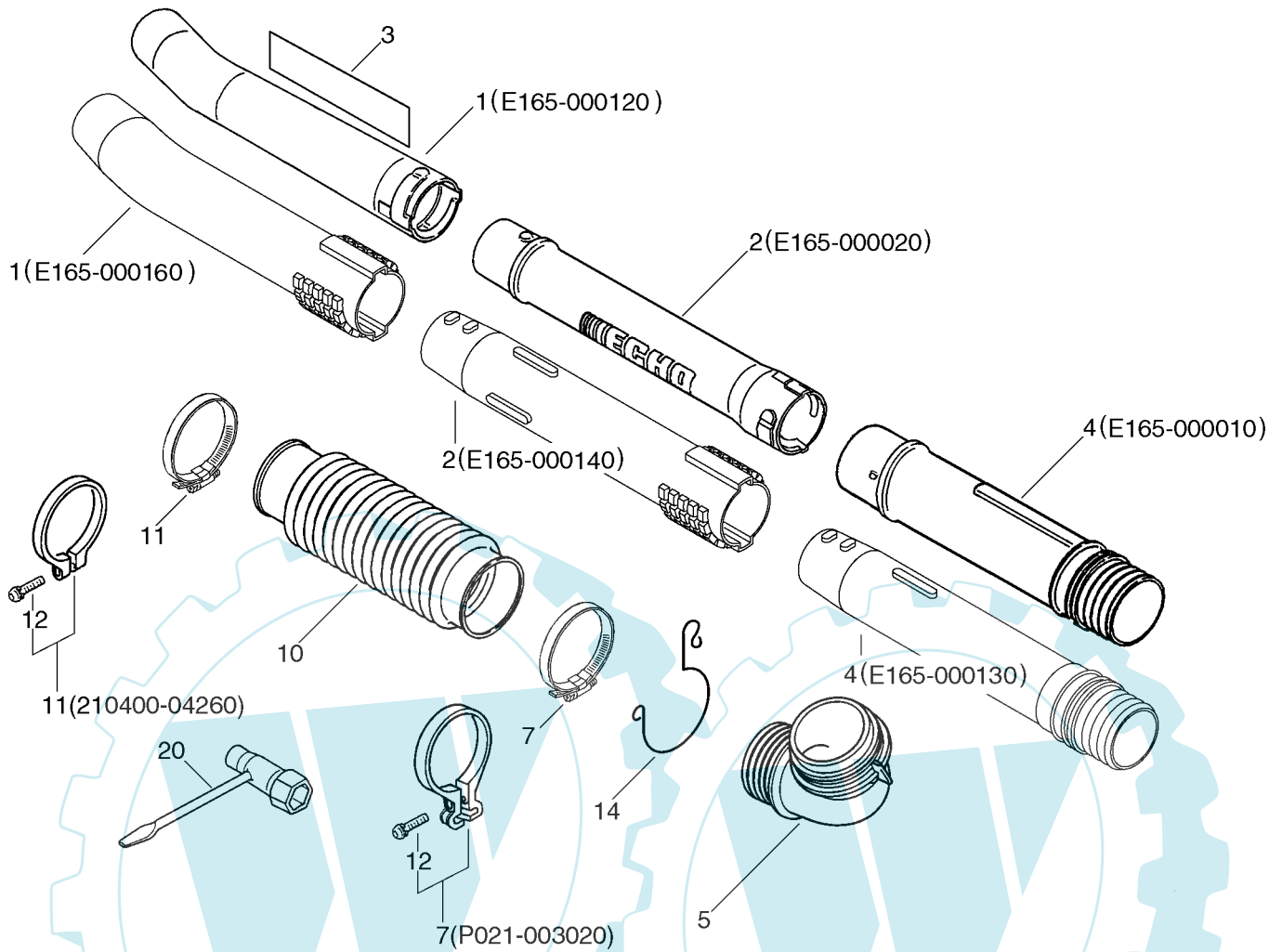


Bild	Artikelnummer	Menge	Bezeichnung	Anmerkung
1	16-E165-000120	1	PIPE,BLOWER	Sr/Nr 35006224 and before
1	16-E165-000160	1	PIPE,BLOWER	Sr/Nr 35006225 and after
2	16-E165-000020	1	PIPE,BLOWER	Sr/Nr 35006224 and before
2	16-E165-000140	1	PIPE,BLOWER	Sr/Nr 35006225 and after
3	16-X502-000060	2	LABEL,ECHO	
4	16-E165-000010	1	PIPE,BLOWER	Sr/Nr 35006224 and before
4	16-E165-000130	1	PIPE,BLOWER	Sr/Nr 35006225 and after
5	16-E160-000090	1	PIPE,MAIN	
7	16-V495-000440	1	BAND	
12	+ 16-900235-05025	1	SCREW 5*25	
10	16-E164-000051	1	PIPE,FLEXIBLE	
11	16-V495-000430	1	BAND	
12	+ 16-900235-05025	1	SCREW 5*25	
14	16-V490-000230	1	CLIP	
20	16-895410-03930	1	WRENCH, W/S. DRIVER	

Griff

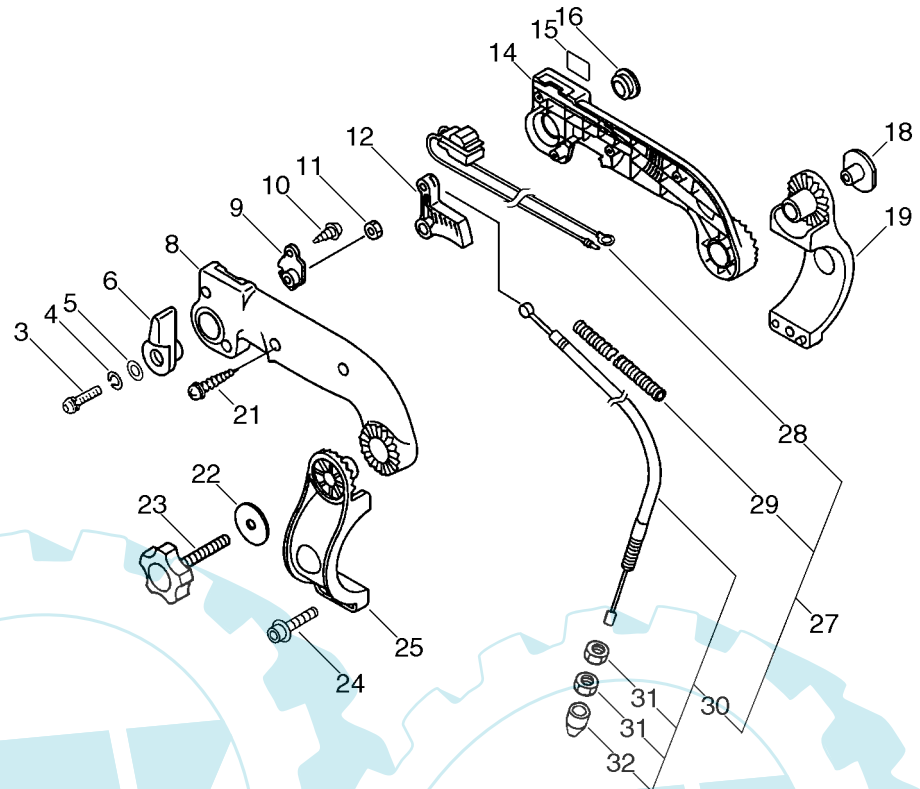


Bild	Artikelnummer	Anzahl	Beschreibung	Anmerkung
3	16-900235-06020	1	SCREW 6*20	
4	16-900605-00006	1	WASHER, SPRING 6	
5	16-900603-00006	1	WASHER 6	
6	16-178054-07560	1	CONTRTOL, THROTTLE	
8	16-351315-07560	1	HANDLE, FRONT	
9	16-178123-07561	1	BRACKET, THROTTLE	
10	16-900245-04010	1	SCREW 4*10	
11	16-900500-00006	1	NUT 6	
12	16-178010-07560	1	CONTROL, THROTTLE	Sus. by 178010-07561
12	16-178010-07561	1	CONTROL, THROTTLE	
14	16-351311-07560	1	HANDLE, FRONT	
15	16-890157-06560	1	LABEL, SWITCH	
16	16-351146-07560	1	PLUG	
18	16-178021-08260	1	NUT, THROTTLE ROD	
19	16-C405-000030	1	BRACKET,HANDLE	
21	16-900256-04022	4	SCREW 4*22	
22	16-178516-07560	1	WASHER 6	
23	16-305812-08260	1	KNOB, FASTENER	
24	16-91145-05020	1	BOLT HS TAPPING	
25	16-C405-000020	1	BRACKET,HANDLE	
27	16-V043-000000	1	CABLE,ASM CONTROL	
28	+ 16-A440-000350	1	SWITCH,ON OFF	
29	+ 16-V475-002100	1	TUBE	
30	+ 16-V430-000450	1	CABLE,BOWDEN	
31	++ 16-900503-00006	2	NUT (3N 6*0.75)	
32	++ 16-V494-000080	1	CAP	

Vergaser

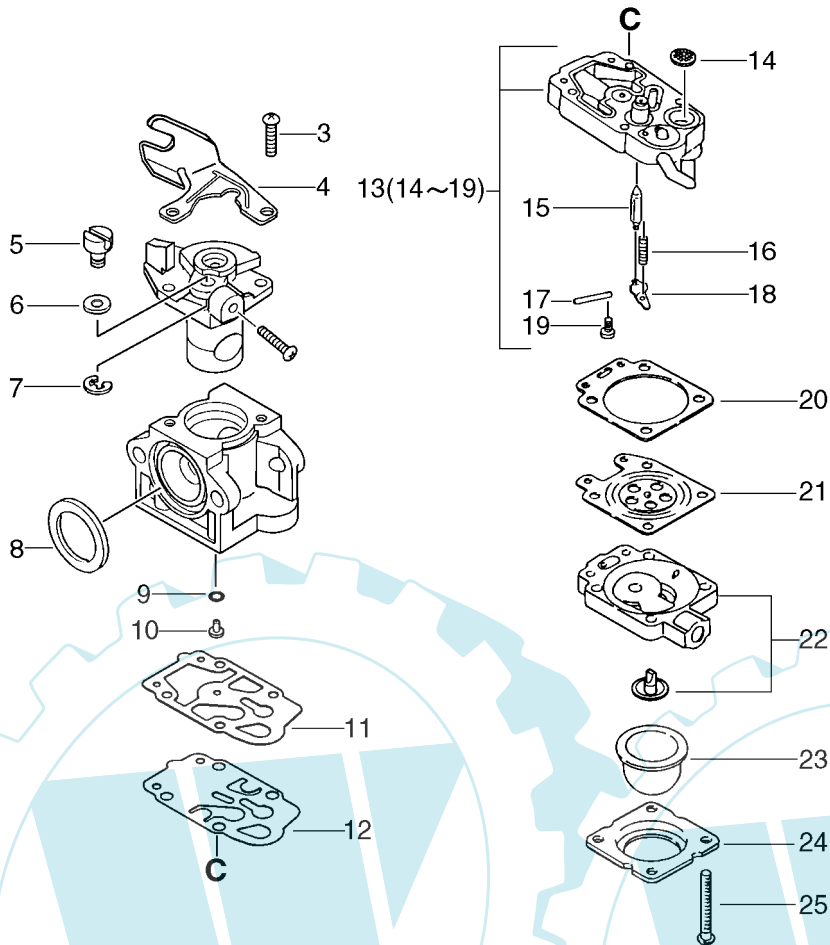


Bild	Artikelnummer	Anzahl	Beschreibung	Anmerkung
	16-A021-000310	1	CARBURETOR,DIAPHRAGM	
3	+ 16-123114-40630	2	SCREW	
4	+ 16-P003-000180	1	BRACKET CABLE	
5	+ 16-123172-45130	1	SWIVEL	
6	+ 16-123149-54230	1	WASHER	
7	+ 16-123173-07930	1	CLIP	
8	+ 16-123143-12110	1	RING, PACKING	
9	+ 16-123183-40630	1	O-RING	
10	+ 16-P003-000640	1	JET	
11	+ 16-123125-40630	1	GASKET, PUMP	
12	+ 16-123112-40630	1	DIAPHRAGM, PUMP	
13	+ 16-P003-000630	1	BODY ASSEMBLY, PUMP	
14	++ 16-123126-10631	1	SCREEN, INLET	
15	++ 16-123137-19830	1	VALVE, INLET NEEDLE	
16	++ 16-123122-05560	1	SPRING, METER. LEVER	
17	++ 16-123138-03930	1	PIN, METERING LEVER	
18	++ 16-123123-03930	1	LEVER, METERING	
19	++ 16-123139-05560	1	SCREW, M. LEVER PIN	
20	+ 16-123140-05560	1	GASKET, M. DIAPHRAGM	
21	+ 16-P003-000090	1	METERING, DIAPHRAGM	
22	+ 16-123180-05560	1	BODY, AIR PURGE	
23	+ 16-123181-40630	1	PUMP, PRIMER	
24	+ 16-123142-05560	1	COVER, PRIMER PUMP	
25	+ 16-123110-05560	4	SCREW, PUMP COVER	

Reparatursatz für Vergaser

Bild		Artikelnummer	Anzahl	Beschreibung	Anmerkung
		16-P003-000660	1	Reparatursatz	
9-8	+	16-123143-12110	1	RING, PACKING	
9-11	+	16-123125-40630	1	GASKET, PUMP	
9-12	+	16-123112-40630	1	DIAPHRAGM, PUMP	
9-14	+	16-123126-10631	1	SCREEN, INLET	
9-15	+	16-123137-19830	1	VALVE, INLET NEEDLE	
9-17	+	16-123138-03930	1	PIN, METERING LEVER	
9-18	+	16-123123-03930	1	LEVER, METERING	
9-20	+	16-123140-05560	1	GASKET, M. DIAPHRAGM	
	+	16-123183-54230	1	O-RING	
	+	16-123183-12110	1	O-RING	
	+	16-123143-12210	1	RING, PACKING	
	+	16-123183-05960	1	O-RING	
	+	16-123140-02960	1	GASKET, M. DIAPHRAGM	
	+	16-123159-40630	1	GASKET, PLATE	
	+	16-123141-03930	1	DIAPHRAGM, METERING	

Membransatz für Vergaser

Bild		Artikelnummer	Anzahl	Beschreibung	Anmerkung
		16-P003-000650	1	Membransatz	
9-8	+	16-123143-12110	1	RING, PACKING	
9-11	+	16-123125-40630	1	GASKET, PUMP	
9-12	+	16-123112-40630	1	DIAPHRAGM, PUMP	
9-20	+	16-123140-05560	1	GASKET, M. DIAPHRAGM	
	+	16-123183-54230	1	O-RING	
	+	16-123183-12110	1	O-RING	
	+	16-123143-12210	1	RING, PACKING	
	+	16-123183-05960	1	O-RING	
	+	16-123140-02960	1	GASKET, M. DIAPHRAGM	
	+	16-123159-40630	1	GASKET, PLATE	
	+	16-123141-03930	1	DIAPHRAGM, METERING	

ECHO®

Motorgeräte

die geh'n ran

