

Stand 07.06.2002

# ERSATZTEILLISTE

**ECHO Bläser**

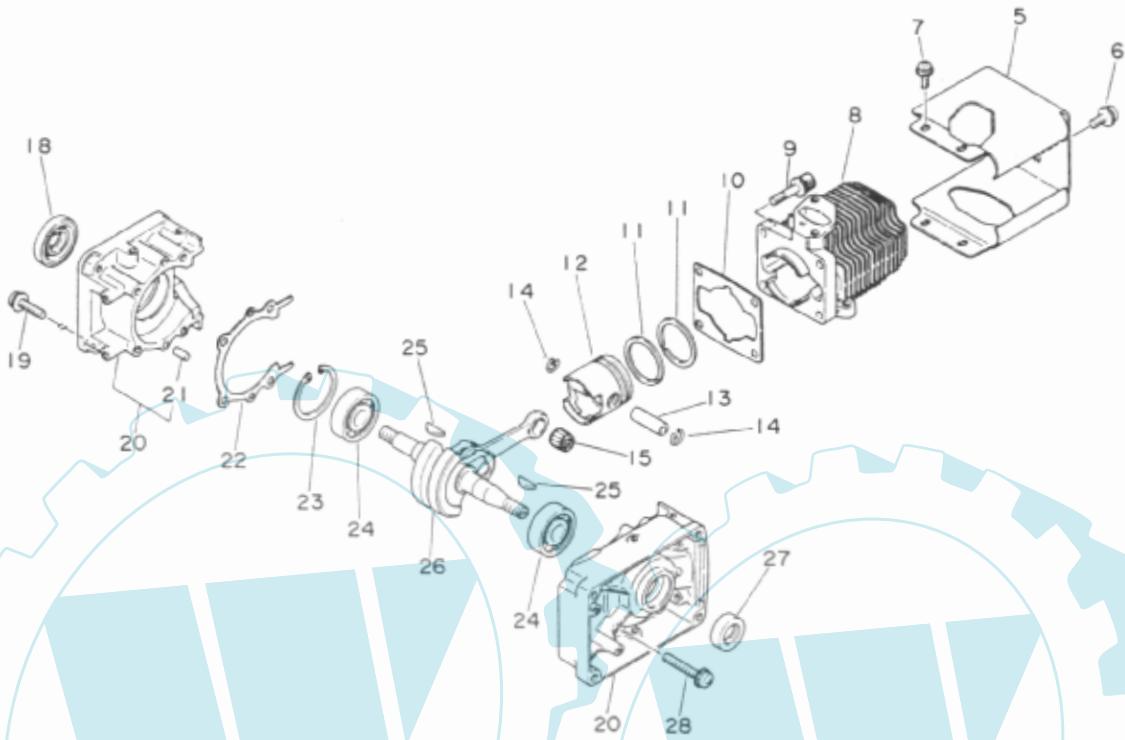
**PB-210E**

ECHO-Motorgeräte  
Vertrieb Deutschland GmbH  
Otto-Schott-Str. 7

72555 Metzingen

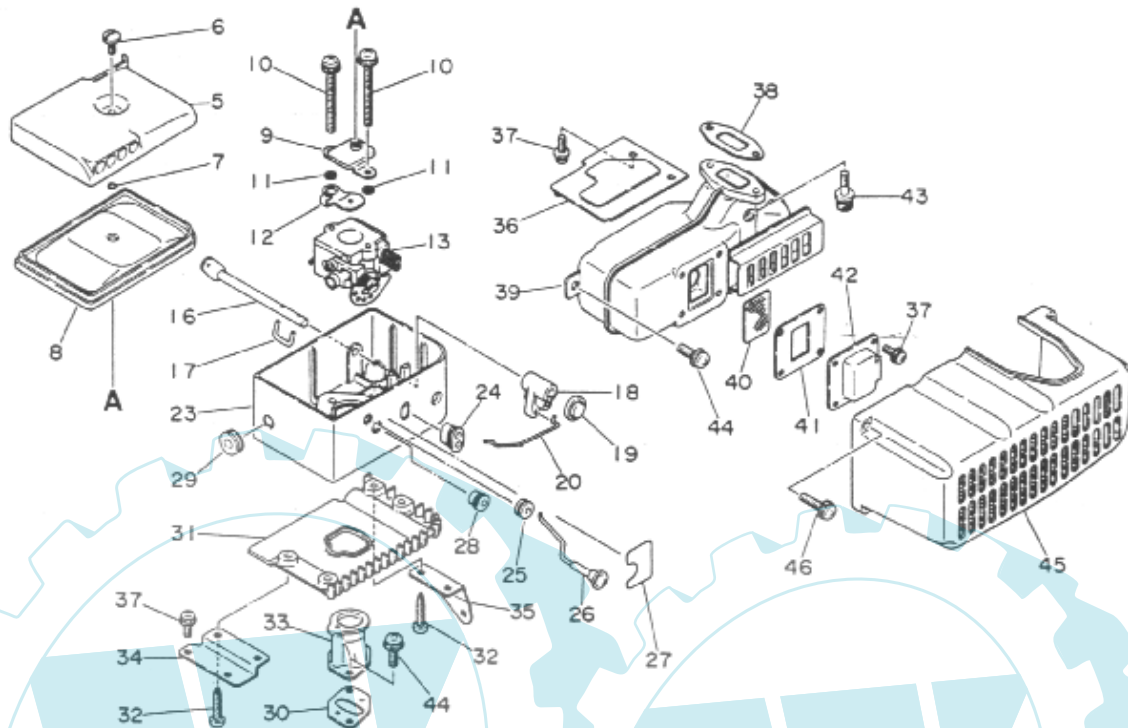
Telefon 07123-1091  
Telefax 07123-2589  
<http://www.echo-shop.de>  
email: [info@echo-shop.de](mailto:info@echo-shop.de)

PB-210E 1



Key No.	Part Number	Q'ty	Description	Key No.	Part Number	Q'ty	Description	
1-	5	101 514-0336 0	1	Cover, cylinder	22	100 242-0336 0	1	Gasket, crankcase
	6	900 242-0501 0	1	Screw 5x10	23	900 702-0003 2	1	Circlip 32
	7	900 242-0401 0	4	Screw 4x10	24	900 810-3620 1	2	Bearing, ball 6201
	8	101 011-0336 0	1	Cylinder	25	900 322-0301 4	2	Key, woodruff
	9	900 162-0502 0	4	Bolt, h.s. 5x20	26	100-100-0336-0	1	Crankshaft
	10	101 010-0336 0	1	Gasket, cyl. base	27	100 213-0553 0	1	Oilseal
	11	100 011-0553 0	2	Ring, piston	28	900 242-0503 0	4	Screw 5x30
	12	100 010-0336 0	1	Piston				
	13	100 013-0336 0	1	Pin, piston				
	14	100 015-0463 0	2	Circlip, piston pin				
	15	100 012-2123 0	1	Bearing, needle				
	18	100 213-0393 0	1	Oilseal				
	19	900 242-0502 0	4	Screw 5x20				
	20	100 200-0336 0	1	Crankcase set				
	21	-100 215-0393 0	2	Pin, dowel				

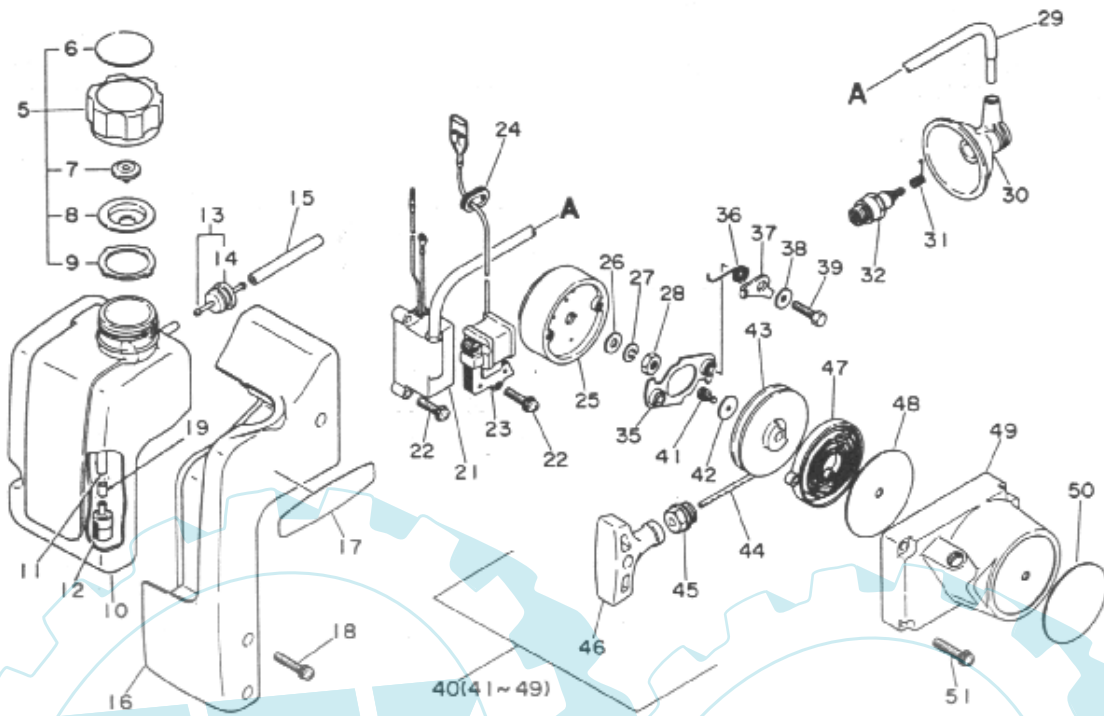
## PB-210E 2



Key No.	Part Number	Q'ty	Description	Key No.	Part Number	Q'ty	Description
2-	5	1	Cover, air cleaner	2-	29	1	Grommet
	6	1	Screw		30	1	Gasket
	7	1	O-ring		31	1	Insulator
	8	1	Filter, air		32	4	Screw 5x25
	9	1	Bracket, air cleaner		33	1	Adapter, intake
	10	2	Screw 5x45		34	1	Bracket
	11	2	Washer		35	1	Bracket
	12	1	Shutter, choke		36	1	Insulator
	13	1	Carburetor (WA)		37	8	Screw 4x10
	16	1	Shaft, throttle		38	1	Gasket, muffler
	17	1	Connector, throttle		39	1	Muffler
	18	1	Arm, throttle lever		40	1	Screen
	19	1	Holder, thr. lever		41	1	Holder, screen
	20	1	Rod, throttle		42	1	Lid, muffler
	23	1	Case, carburetor		43	2	Bolt, h.s. 5x16
	24	1	Grommet		44	3	Screw 5x14
	25	1	Bushing		45	1	Cover, muffler
	26	1	Rod, choke		46	3	Screw
	27	1	Label				
	28	1	Grommet				



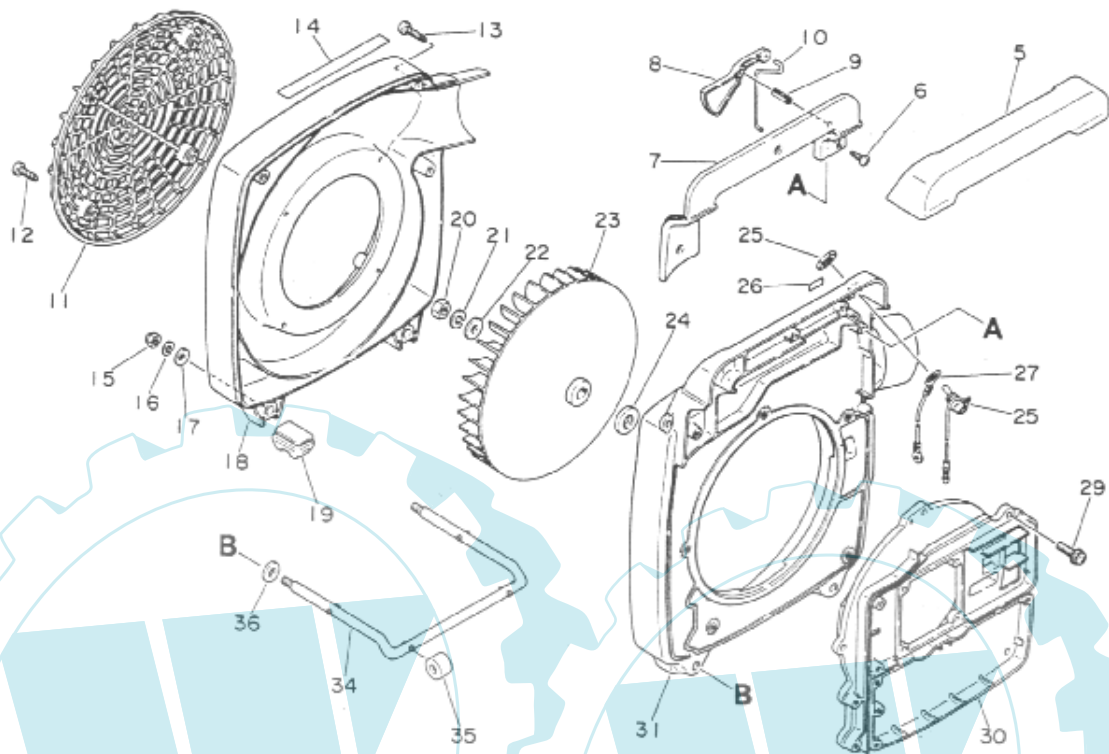
PB-210E 3



Key No.	Part Number	Q'ty	Description	Key No.	Part Number	Q'ty	Description
3- 5	131 600-0336 0	1	Cap, ass'y fuel tank	3- 32	159 010-1063 0	1	Plug, spark BPM7A
6	-890 154-1273 0	1	Label, fuel mix	35	177 307-0336 0	1	Holder, pawl
7	-131 314-0632 0	1	Valve, check	36	177 234-0492 0	2	Spring, return
8	-131 015-2133 0	1	Holder, check valve	37	177 218-0492 0	2	Catcher, pawl
9	-131 016-2123 0	1	Gasket, cap	38	900 603-0000 5	2	Washer 5
10	131 010-0336 0	1	Tank, fuel	39	900 100-0502 0	2	Bolt 5x20
11	132 010-0336 0	1	Pipe, fuel	40	177 200-0336 0	1	Starter ass'y
12	131 205-0732 0	1	Strainer, fuel	41	-900 242 0401 0	1	Screw 4x10
13	132 005-0336 0	1	Connector, fuel pipe	42	-177 214-0463 0	1	Washer
14	-132 115-2133 0	1	Grommet	43	-177 215-0492 0	1	Drum, starter
15	132 012-0336 0	1	Pipe, fuel	44	-177 226-0653 0	1	Rope, starter
16	131 910-0336 0	1	Bracket, fuel tank	45	-177 227-0502 0	1	Guide, rope
17	890 118-0336 0	1	Label, ECHO	46	-177 228-0653 0	1	Grip, starter
18	900 242-0402 5	3	Screw 4x25	47	-177 220-0653 0	1	Spring, rewind
19	132 001-1503 0	1	Valve	48	-177 221-1653 0	1	Plate
21	156 601-0336 0	1	Module, C.D.I.	49	-177 209-0336 0	1	Case, starter
22	900 242-0402 0	4	Screw 4x20	50	890 112-1783 1	1	Label, ECHO
23	156 627-0336 0	1	Coil, excite	51	900 242-0502 5	4	Screw 5x25
24	156 114-0336 0	1	Grommet				
25	156 800-0336 0	1	Flywheel				
26	900 600-0000 8	1	Washer 8				
27	900 605-0000 8	1	Washer, spring 8				
28	900 502-0000 8	1	Nut 8				
29	156 611-0336 0	1	Tube				
30	159 012-0336 0	1	Cap, spark plug				
31	159 011-0343 2	1	Coil, plug cap				

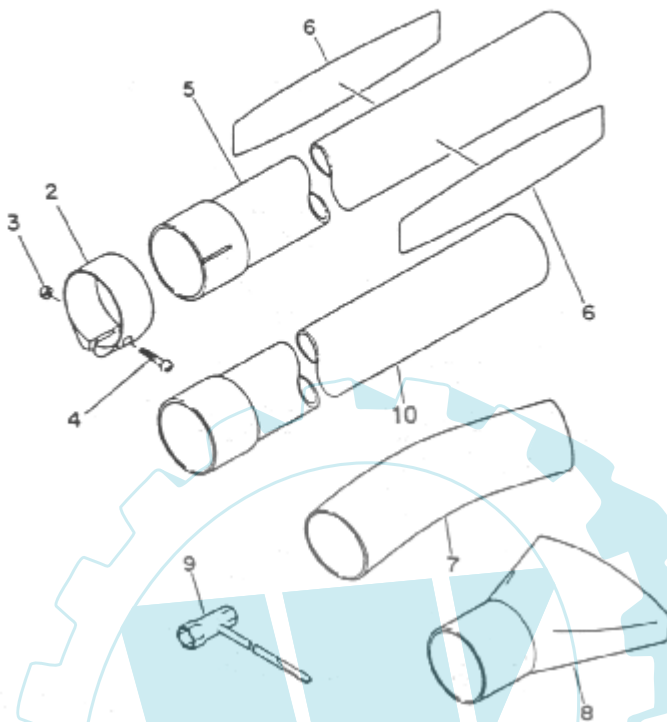
Ersatzteilliste PB-210E

PB-210E 4



Key No.	Part Number	Q'ty	Description	Key No.	Part Number	Q'ty	Description
4- 5	351 111-0336 1	1	Grip, handle	4- 20	900 500-0000 8	1	Nut 8
6	900 246-0401 6	3	Screw 4x16	21	900 605-0000 8	1	Washer, spring 8
7	200 141-0336 0	1	Handle	22	900 600-0000 8	1	Washer 8
8	178 010-0336 0	1	Control, throttle	23	200 010-0336 0	1	Fan
9	900 340-5001 8	1	Pin, spring 5x18	24	100 132-0336 0	1	Washer
10	178 011-0336 0	1	Rod, throttle	25	163 400-0336 0	1	Switch, ignition
11	200 124-0336 0	1	Grid, fan case	26	890 157-1113 0	1	Label
12	900 249-0502 0	4	Screw 5x20	27	162 010-0336 0	1	Lead
13	900 249-0502 5	3	Screw	29	900 242-0502 0	5	Screw 5x20
14	890 115-0336 0	1	Label, model	30	104 930-0336 0	1	Bracket, engine
15	300 224-0313 0	2	Nut, cap 6	31	200 107-0336 1	1	Case, fan
16	900 605-0000 6	2	Washer, spring 6	34	305 110-0336 0	1	Stand
17	900 602-0000 6	2	Washer 6	35	305 121-0336 0	2	Cushion
18	200 110-0336 0	1	Case, fan	36	305 118-0336 0	2	Washer
19	305 117-0336 0	2	Cushion				

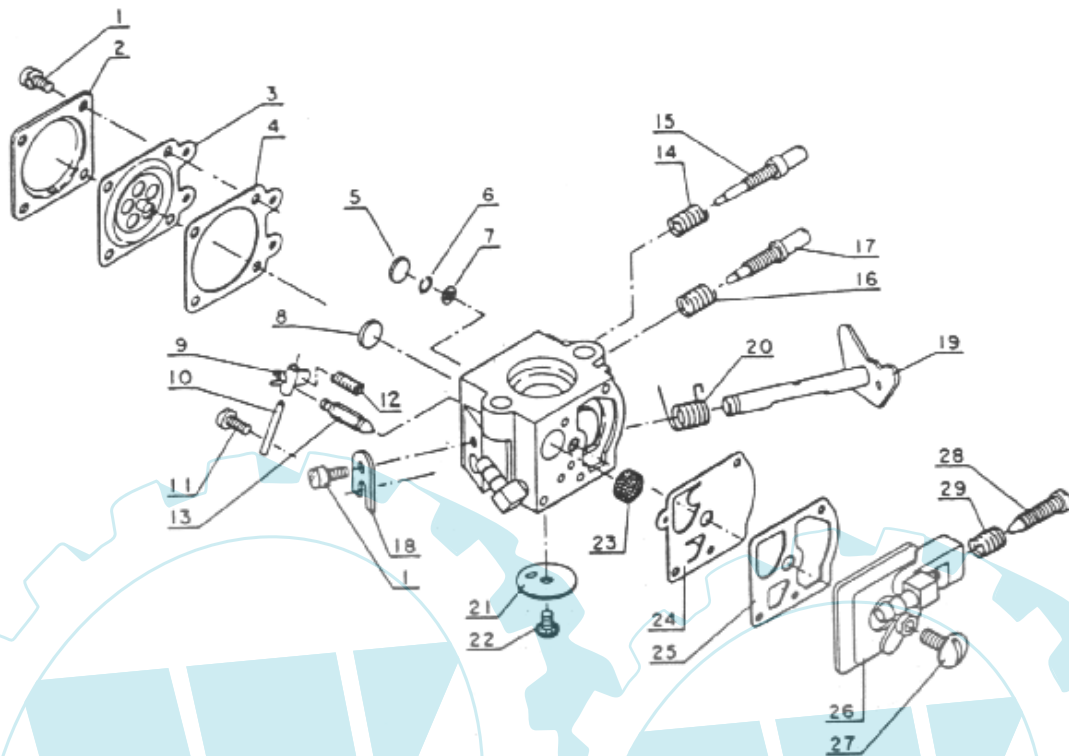
PB-210E 5



Key No.	Part Number	Q'ty	Description
5-	2	1	Clamp
	3	2	Nut 4
	4	2	Screw 4x25
	5	1	Pipe, straight
	6	2	Label, ECHO
	10	1	Pipe, straight
	7	1	Pipe, curved
	8	1	Adapter, pipe
	9	1	Wrench w/s. driver



PB-210E 6



Key No.	Part Number	Q'ty	Description	Key No.	Part Number	Q'ty	Description
6- *	123 000-0346 0	1	Carburetor ass'y	6- 20	-123 113-0393 0	1	Spring, thr. return
1	-123 130-0296 0	5	Screw	21	-123 116-0393 0	1	Valve, throttle
2	-123 142-0393 0	1	Cover, met. diaphragm	22	-123 114-0393 0	1	Screw
3	-123 141-0393 0	1	Diaphragm, metering	23	-123 126-1063 1	1	Screen, inlet
4	-123 140-0393 0	1	Gasket, m. diaphragm	24	-123 112-1503 0	1	Diaphragm, fuel pump
5	-123 145-1633 0	1	Plug, welch	25	-123 125-1503 0	1	Gasket, fuel pump
6	-123 169-1063 0	1	Ring, screen retaining	26	-123 124-0296 0	1	Cover, fuel pump
7	-123 168-1063 1	1	Screen, check valve	27	-123 110-0393 0	1	Screw
8	-123 146-1063 0	1	Plug, welch	28	-123 134-0632 0	1	Screw, idle adjust
9	-123 123-0393 0	1	Lever, metering	29	-123 133-0632 0	1	Spring, idle adjust.
10	-123 138-0393 0	1	Pin, metering lever				
11	-123 139-0393 0	1	Screw	<b>Part Number</b>	<b>Description</b>	<b>Key Number</b>	
12	-123 122-1113 0	1	Spring, metering lever	123 103-1503 0	Kit. gasket/diaphragm	3, 4, 24, 25.	
13	-123 137-0393 0	1	Valve, inlet needle	123 102-1633 0	Kit. kwik repair	3, 4, 9, 10, 12, 13, 22, 23, 24, 25.	
14	-123 119-0393 0	1	Spring, needle adjust.				
15	-123 120-1123 0	1	Needle, high speed				
16	-123 121-0393 0	1	Spring, needle adjust.				
17	-123 118-0346 0	1	Needle, idle				
18	-123 127-0393 0	1	Clip				
19	-123 117-0346 0	1	Shaft, throttle				

Remarks: \* Consists of 1 thru 29.

**ECHO**®

***Motorgeräte***

*die geh'n ran*

