



Stand 12.11.2001

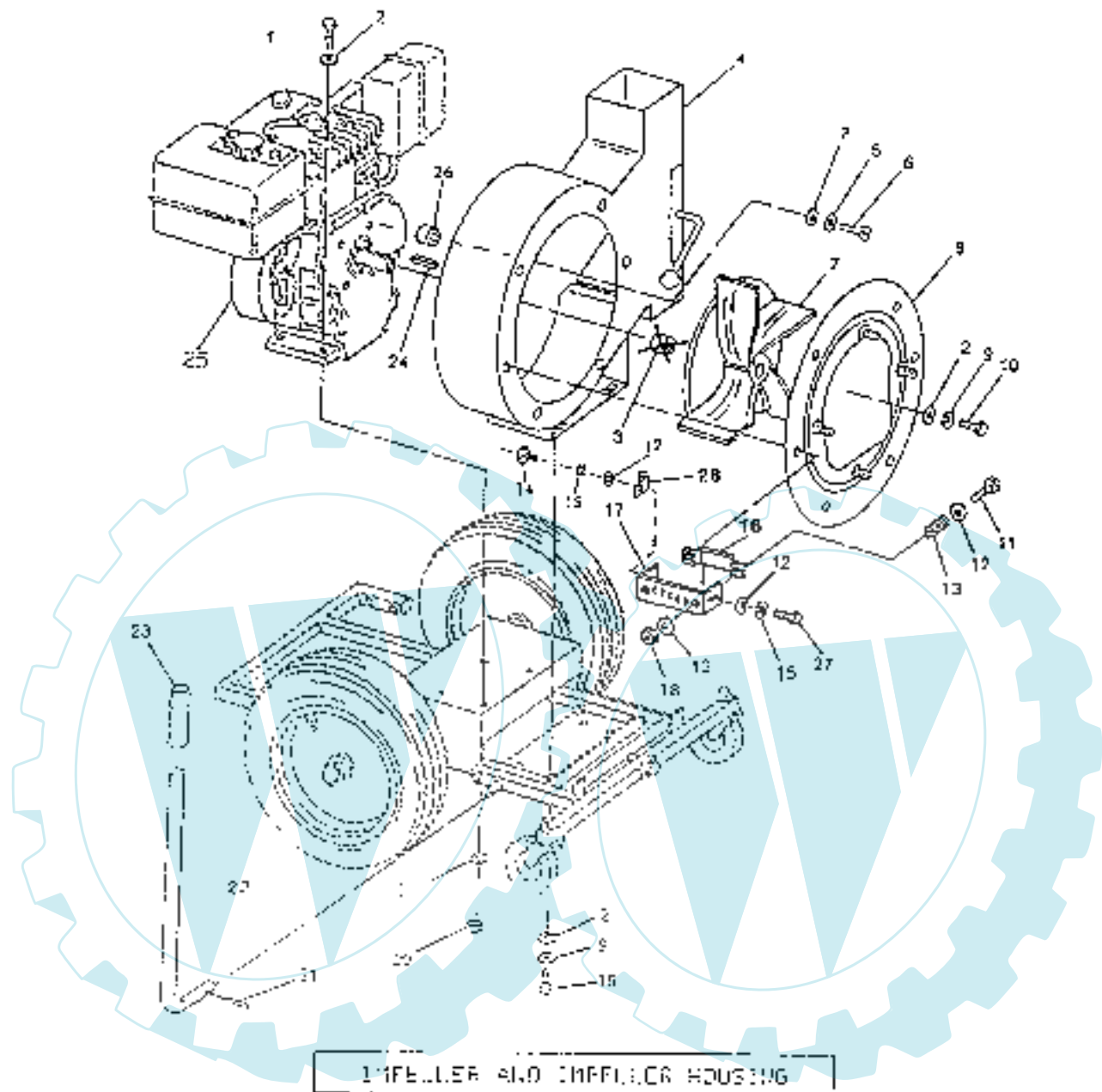
ERSATZTEILLISTE

Laubsauger ES-370

ECHO-Motorgeräte
Vertrieb Deutschland GmbH
Otto-Schott-Str. 7

72555 Metzingen

Telefon 07123-1091
Telefax 07123-2589
<http://www.echo-shop.de>
email: info@echo-shop.de

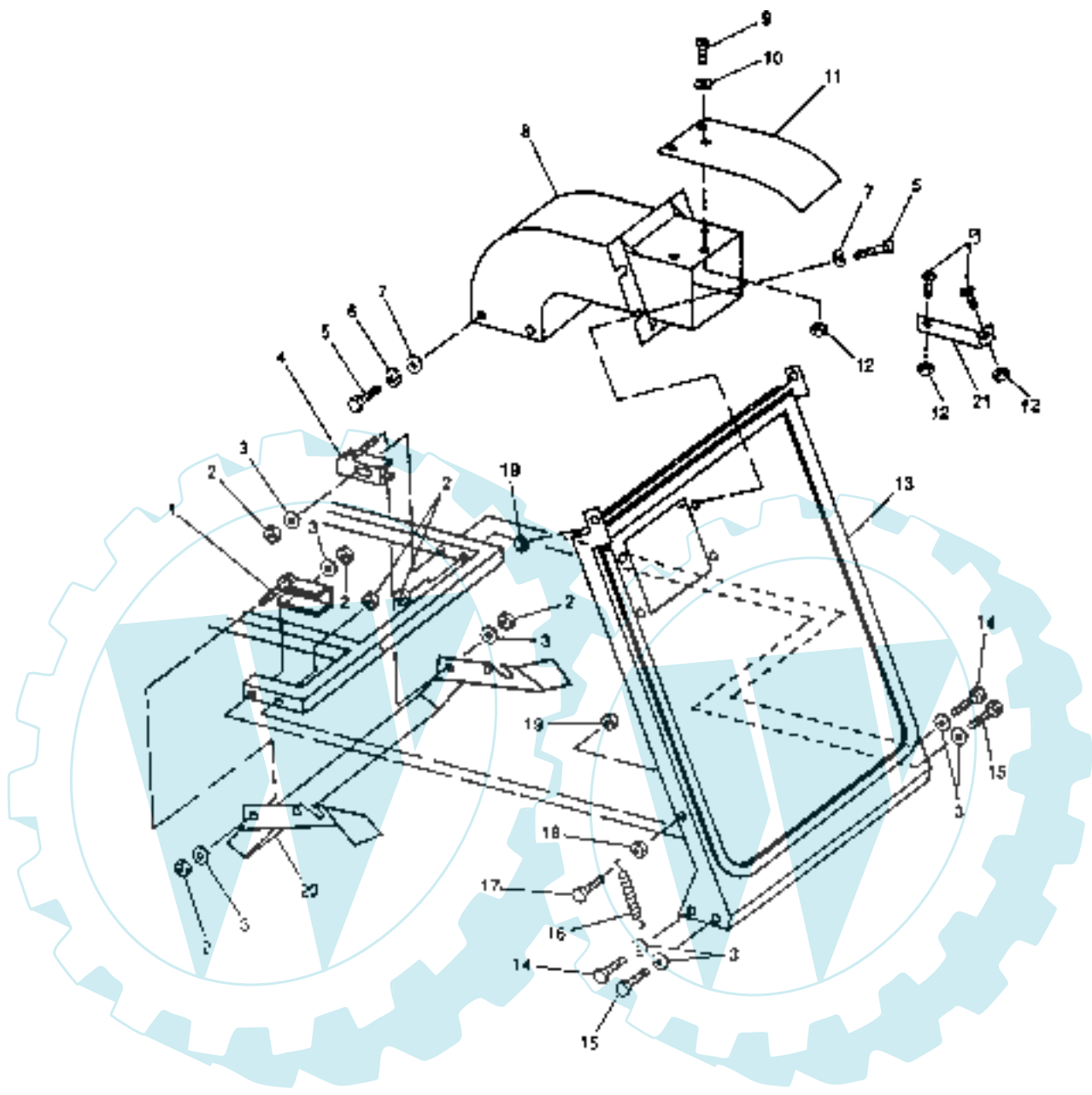


IMPELLER AND IMPELLER HOUSING

KEY	PART NO.	QTY.	DESCRIPTION	KEY	PART NO.	QTY.	DESCRIPTION
1	L-127	4	5/16-18 x 1 1/2 HEX HD. CAP SC.	15	X-1000	2	1/4 HD. SPLIT LOCK WASHER
2	L-99	10	3/16 FLAT WASHER	16	9-R2107	1	FRONT BRACKET
3	X-1657	1	3/16 CONDUIT LIP	17	9-D2101	1	REARV ADJUSTMENT BRKT.
4	9A-02075	1	IMPELLER HOUSING ASSEMBLY	18	X-1638	2	1/4-20 HEX NYLOC NUT
5	L-203	2	5/16 EXT. 100TH LOCK WASHER	19	L-59	4	5/16-18 x 3/4 HEX HD. CAP SC.
6	X-1650	2	5/16-24 x 2 HEX HD. CAP SC.	20	X-1622	4	5/16-18 HEX NYLOC NUT
7	9A-02279	1	IMPELLER ASSEMBLY	21	X-1009	1	1/4 x 1 1/4 SCLL PIN
8	9A-02109	1	ADAPTER ASSEMBLY	22	9A-02109	1	ADJUSTMENT HANDLE ASSY.
9	X-1075	5	5/16 SPLIT LOCK WASHER	23	14-30800	1	HAND GRIP
10	X-1648	1	5/16-24 x 2 3/8 HEX HD. CAP SC.	24	X-1599	1	3/16 SQ. x 1 3/4 LG. KEY
11	X-1072	2	1/4-20 x 1 3/4 HEX HD. CAP SC.	25	9-A2248	1	5 H.P. B/S ENGINE
12	X-1099	12	1/4 FLAT WASHER	26	9-A2266	2	HOUSING SPACER
13	9-A2108	2	SPACER	27	X-1051	1	1/4-20 x 5/8 HEX HD. CAP SC.
14	X-1001	7	1/4-20 x 1/2 HEX HD. CAP SC.	28	X-1657	1	3/16 CONDUIT LIP

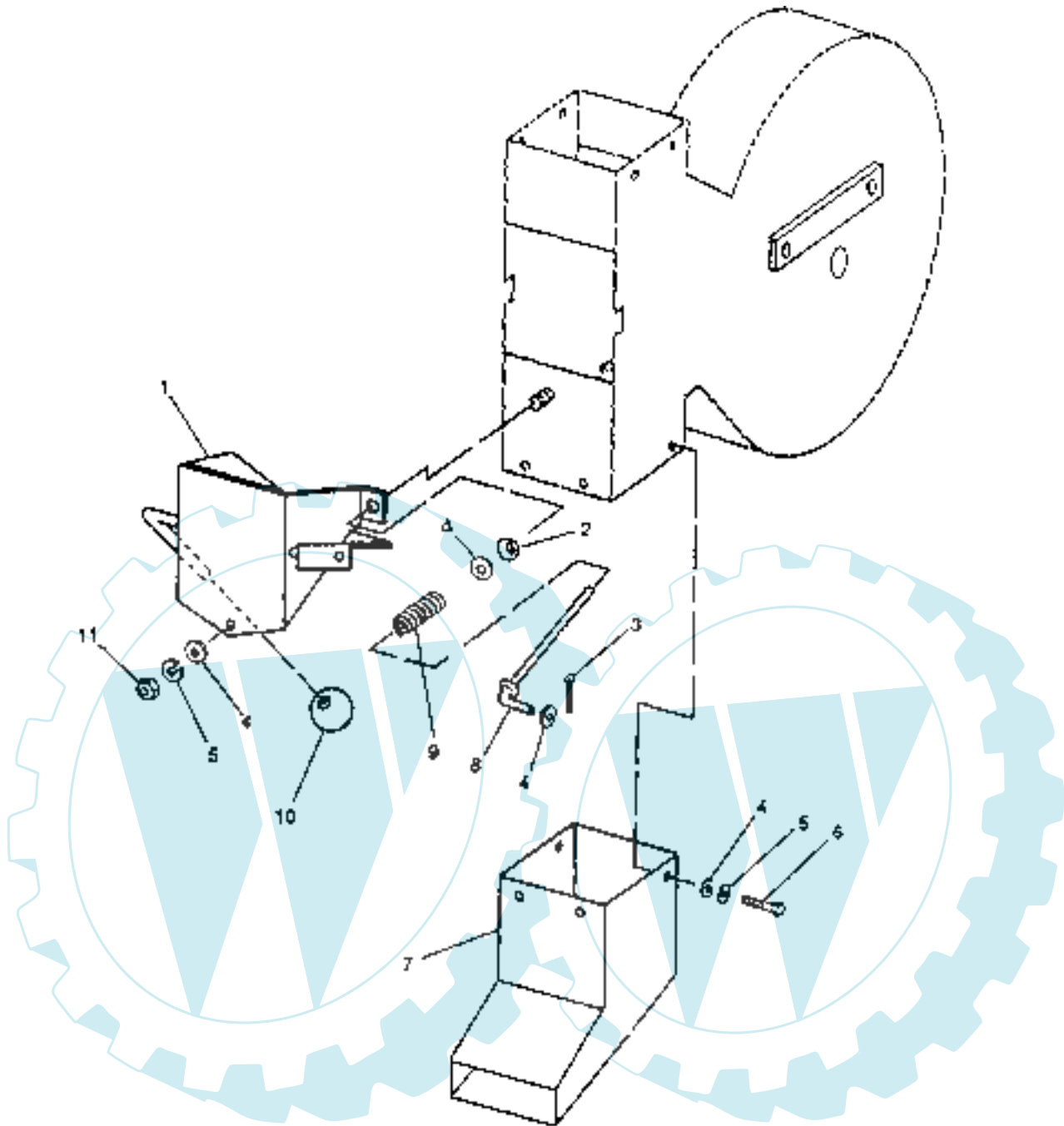


Ersatzteilliste



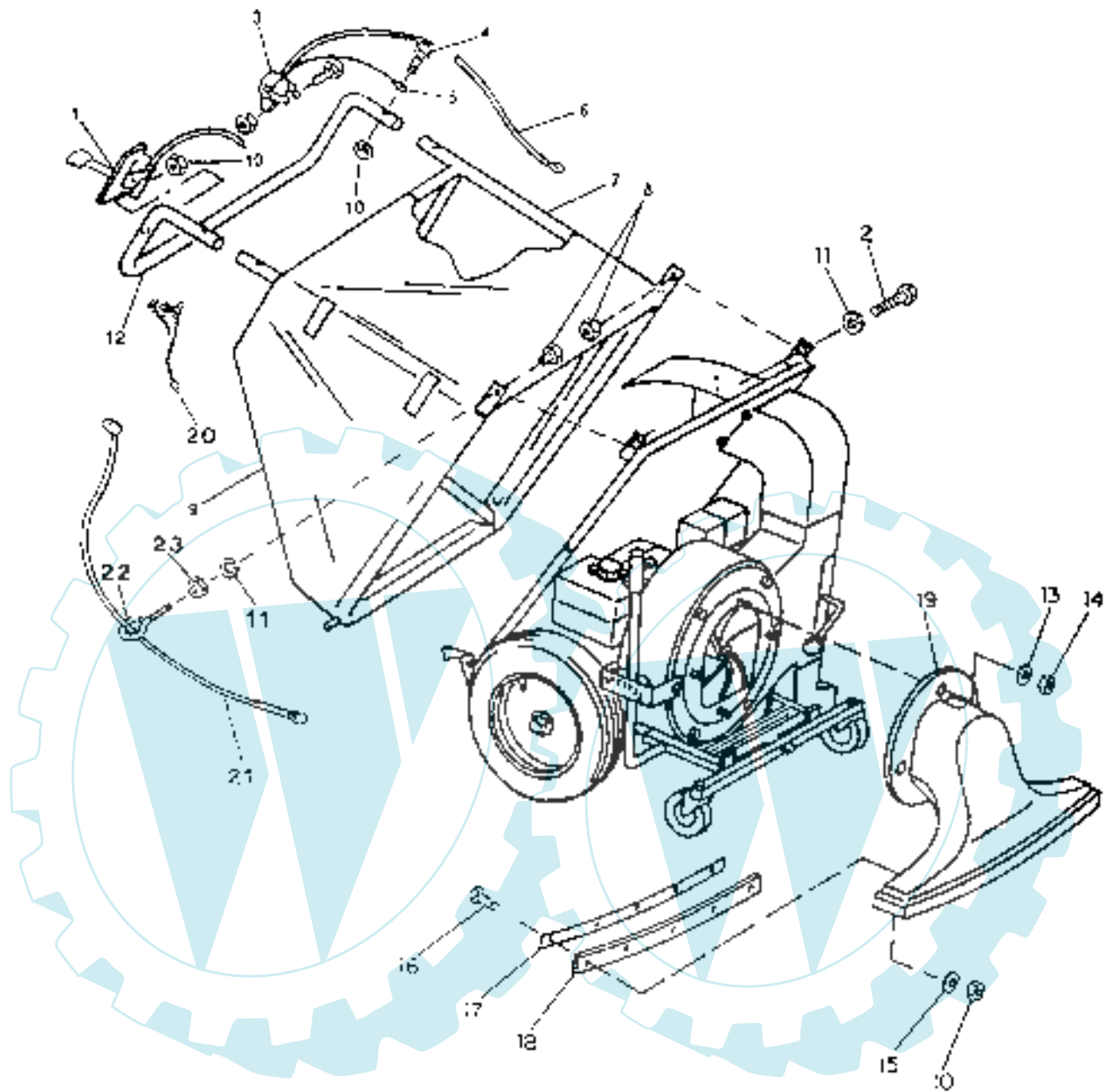
FRAME AND CHUTE

KEY	PART NO.	QTY.	DESCRIPTION	KEY	PART NO.	QTY.	DESCRIPTION
1	9A-A2073	1	LEFT SIDE ADJUSTER	12	X-2009	5	M10-32 HEX LOCKNUT
2	K-1622	6	5/16-18 x 4 NYLOC NUT	13	9A-02054	1	PANEL ASSEMBLY
3	L-99	2	5/16 FLAT WASHER	14	X-1027	2	5/16-18 x 1 3/4 HEX HD. CAP SC
4	9A-A2072	1	RIGHT SIDE ADJUSTER	15	L-127	2	5/16-18 x 1 1/2 HEX HD. CAP SC
5	X-1001	4	1/4-20 x 1/2 HEX HD. CAP SC.	16	9-A2115	1	LATCH SPRING
6	K-1000	4	1/4 HEX. SPICT LOCK WASHER	17	X-2020	1	1/4-20 x 1 HEX HD. CAP SC.
7	X-1099	3	1/4 FLAT WASHER	18	L-309	1	1/4-20 STANDARD HEX NUT
8	9A-02092	1	EXHAUST ELBOW	19	X-1621	5	1/4-20 HEX NYLOC NUT
9	K-1425	5	M10-32 x 1/16 HD. R. HD. S.	20	9A-02068	1	LATCH ASSEMBLY
10	X-1464	3	7/32 FLAT WASHER	21	9-A2181	1	BRACE
11	9-02100	1	REFLECTOR				



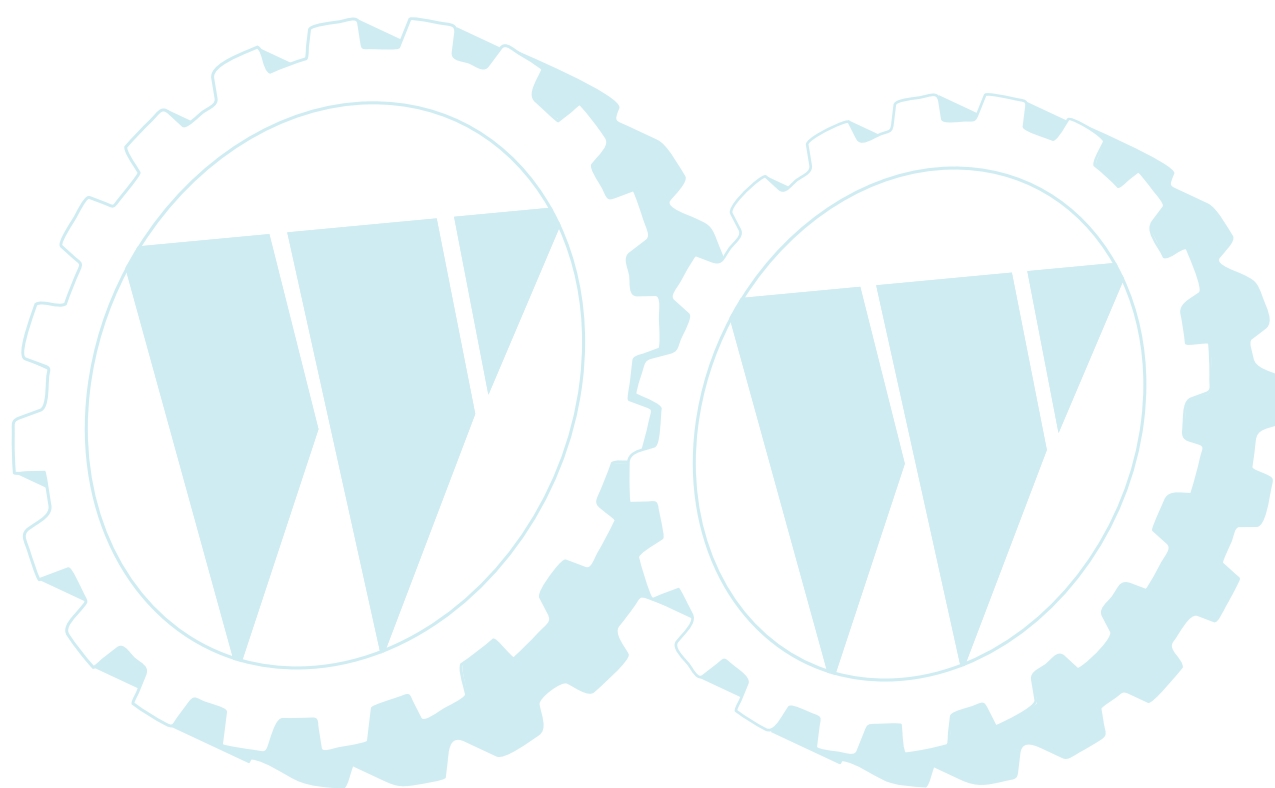
DAMPER AND BLOWER NOZZLE

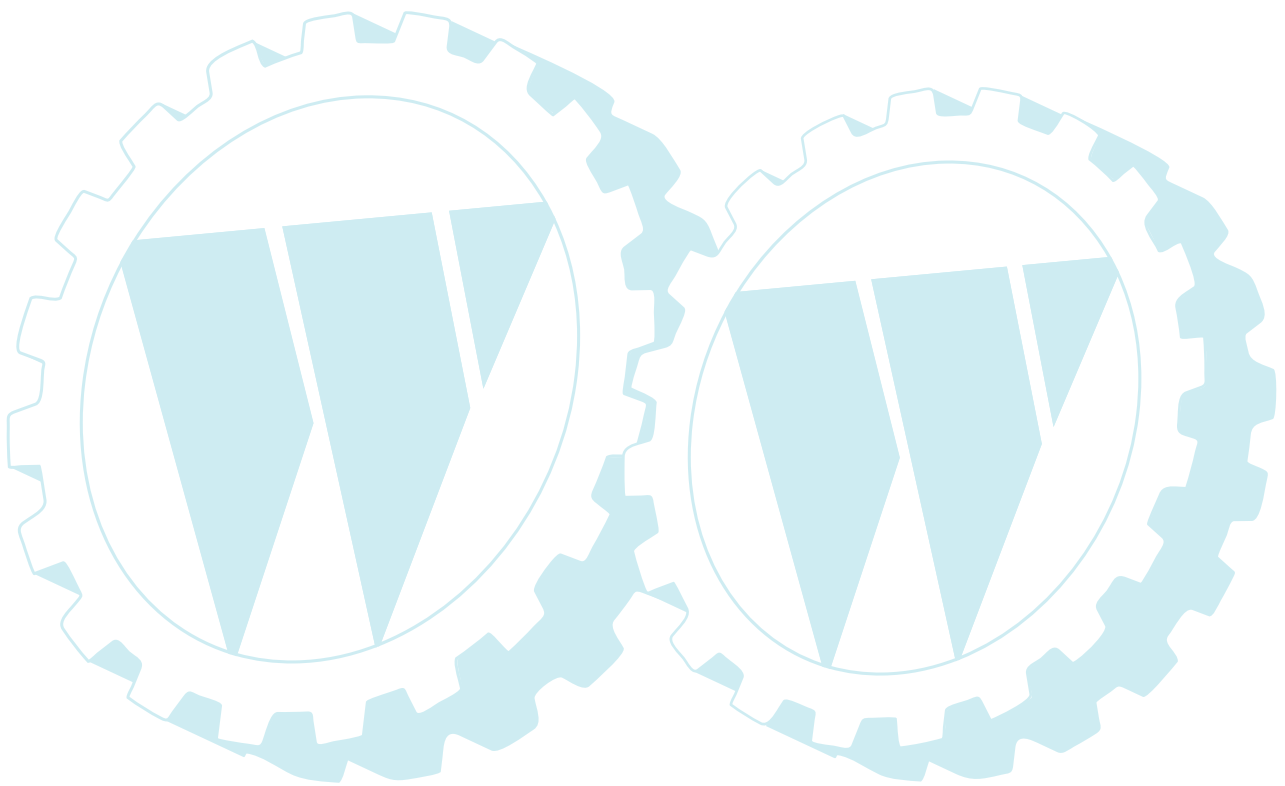
Key	Part No.	Qty	Description
1	9A-D2082	1	Damper Assembly
2	9-A2113	1	Spring Pivot
3	L-212	1	1/16 x 3/4 Cotter Pin
4	X-1099	7	1/4 Flat Washer
5	X-1000	5	1/4 Split Lock Washer
6	X-1001	4	1/4-20 x 1/2 H.H.C.S.
7	9A-C2088	1	Blower Nozzle Assy.
8	9A-A2116	1	Damper Rod Assy.
9	9-A2117	1	Damper Spring
10	9-A2086	1	Knob
11	L-304	1	1/4-20 Hex Nut

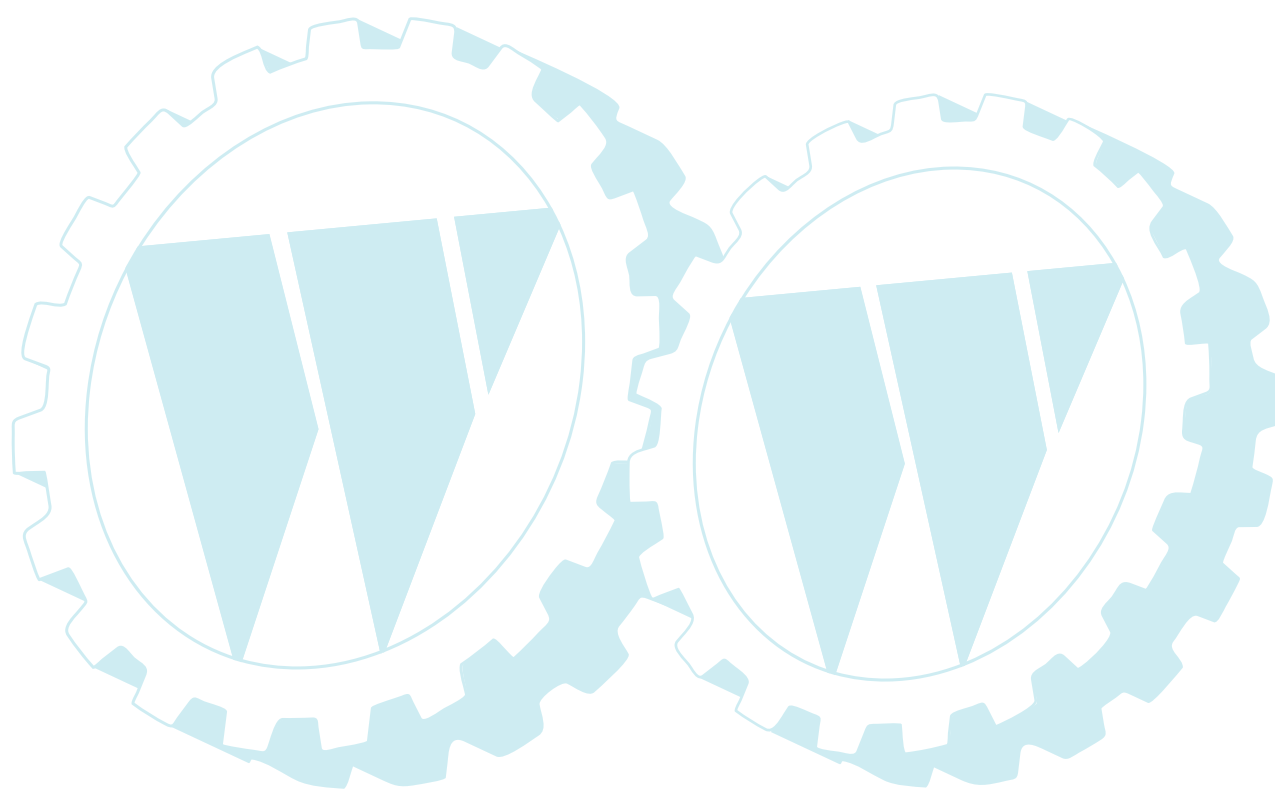


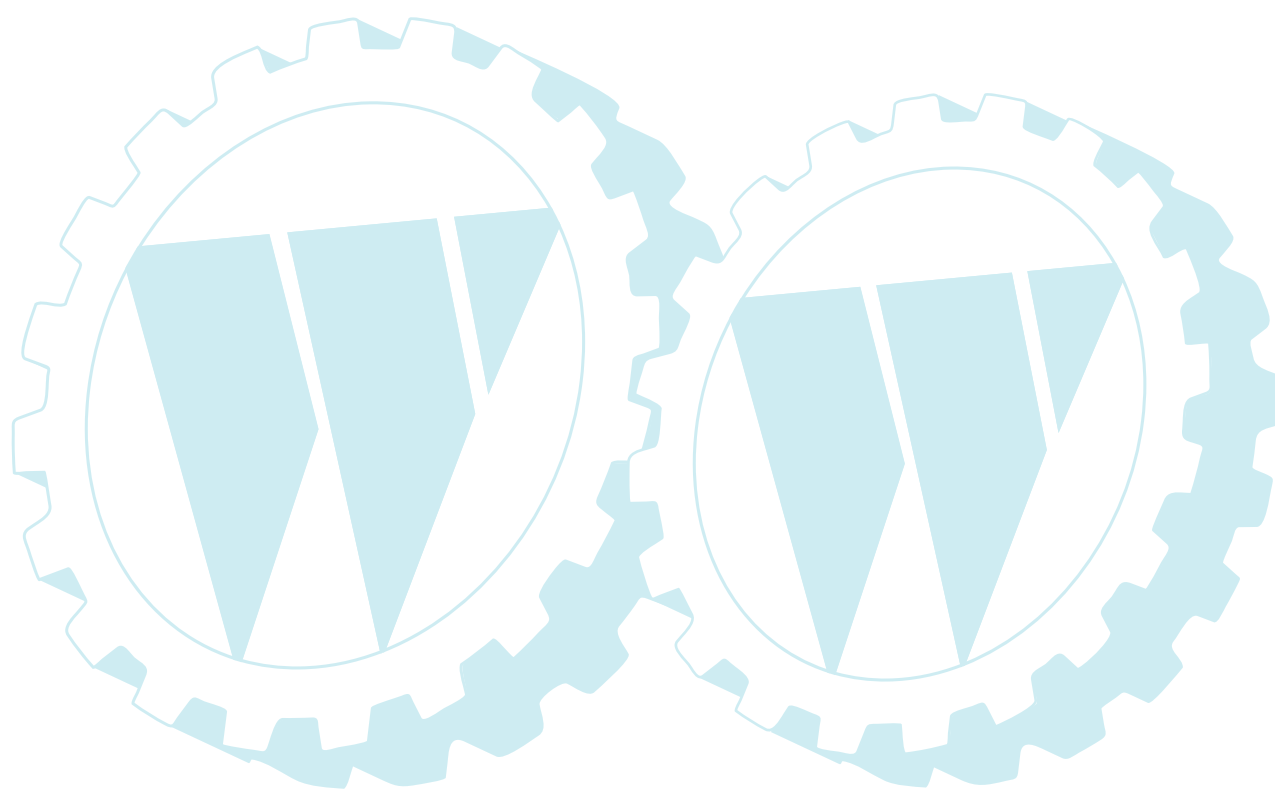
SAWCHUCK & NOZZLE

QTY	PART NO.	DESCR.	QTY	PART NO.	DESCR.	DESCRIPTION
1	9A-02104	CHUCK	1	1-05	2	SPACER PLATE WASHER
1	1-161	WASHER	1	1-162	4	SPACER PLATE IMPACT BOLT
1	1-162	WASHER	1	7-02101	5	SPACER PLATE WASHER
1	9A-02102	CHUCK BODY	1	1-163	5	SPACER PLATE IMPACT BOLT
1	9A-02101	CHUCK BODY	1	7-02105	1	RETAINER
4	9A-02103	WASHER	1	7-02105	1	SLIPWASHER
2	9A-02057	NOZZLE ASSEMBLY	1	7-02101	1	INTERNAL NOZZLE
1	1-5052	SPACER PLATE IMPACT BOLT	1	9A-02058	1	SLITCH CONTROL CABLE
1	9A-02101	CHUCK BODY	1	7-02007	1	SLITCH CONTROL LEVER
10	1-162	WASHER	1	1-165	1	SPACER PLATE IMPACT BOLT
11	1-162	WASHER	1	1-165	1	SPACER PLATE IMPACT BOLT
12	9A-02101	CHUCK BODY				









ECHO®

Motorgeräte

die geh'n ran

