

Stand 12.02.2001

ERSATZTEILLISTE

**Motorsäge
CS-510EVL**

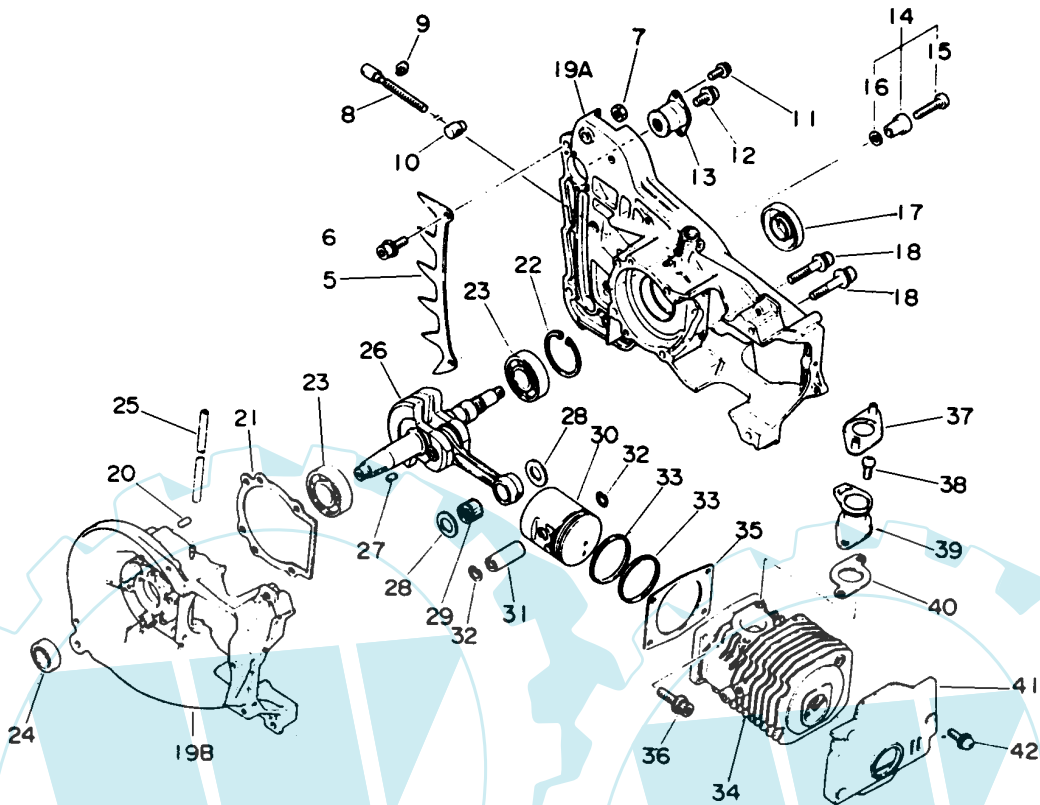
**ECHO-Motorgeräte
Vertrieb Deutschland GmbH
Otto-Schott-Str. 7**

72555 Metzingen

**Telefon 07123-1091
Telefax 07123-2589
<http://www.echo-shop.de>
email:info@echo-shop.de**

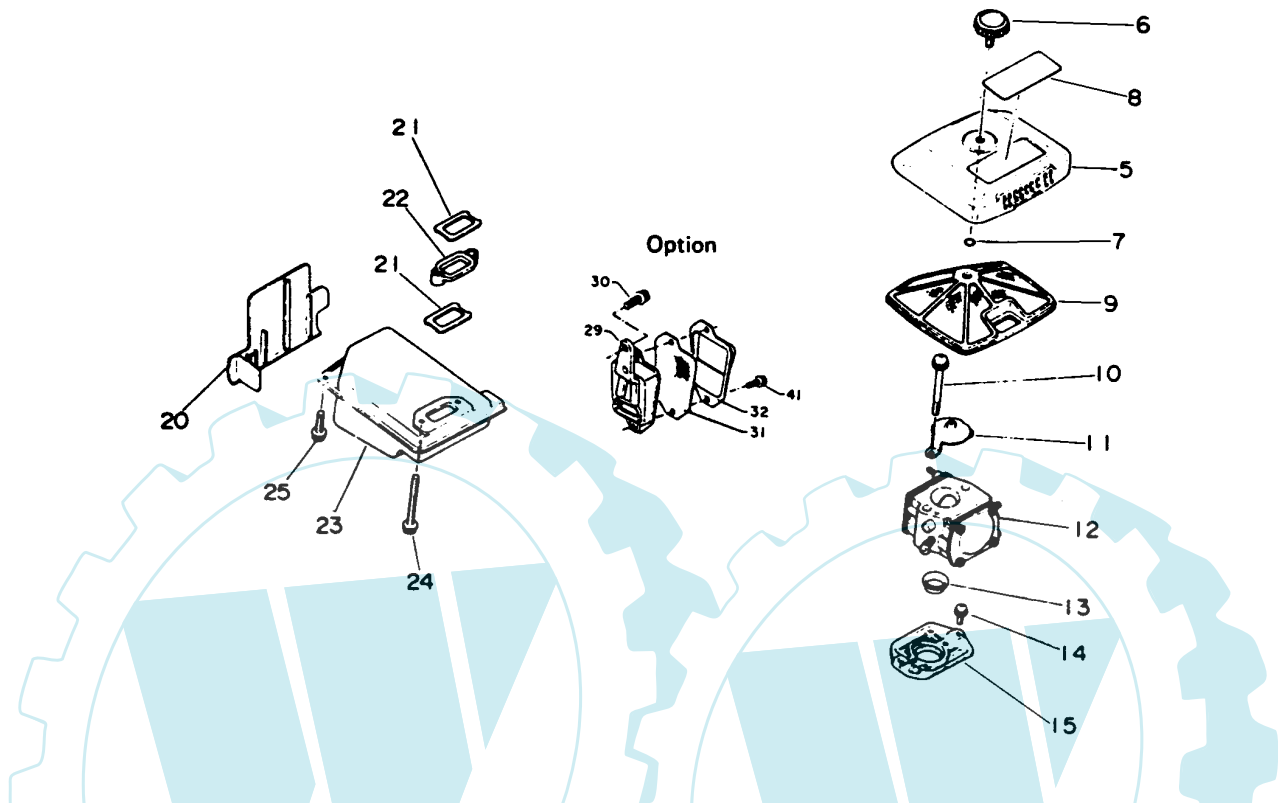


CS-510EVL 1



Key No.	Part Number	Q'ty	Description	Key No.	Part Number	Q'ty	Description
1-	5	1	Spike	1-	25	1	Pipe, impulse
	6	2	H.S.H. bolt 5x12	26	100 100-1733 0	1	Crankshaft ass'y
	7	2	Lock nut 5	27	100 142-1233 0	1	Key, woodruff
	8	1	Screw, adjustment	28	100 014-1733 0	2	Spacer
	9	1	Clip	29	100 012-1233 0	1	Bearing, needle
	10	1	Tensioner	30	100 010-1523 0	1	Piston
	11	2	Screw 4x10	31	100 013-0041 0	1	Pin, piston
	12	1	Screw 5x10	32	100 015-0012 0	2	Circlip, piston pin
	13	1	Cushion	33	100 011-1233 0	2	Ring, piston
	14	1	Catcher, chain kit	34	101 011-1523 0	1	Cylinder
	15	1	Screw 5x25	35	101 010 1233 0	1	Gasket
	16	1	Washer 5	36	900 162-0502 0	4	H.S.H. bolt 5x20
	17	1	Oil seal	37	130 034-1233 1	1	Seal
	18	6	H.S.H. bolt 5x30	38	900 241-0501 0	2	Screw 5x10
	19	1	Crankcase set	39	130 508-1233 1	1	Adapter, intake
	20	2	Knock	40	130 010-1233 0	1	Gasket
	21	1	Gasket	41	101 514-1523 0	1	Cover, cylinder
	22	1	Circlip	42	900 242-0401 4	3	Screw 4x14
	23	2	Bearing, ball				
	24	1	Oilseal				

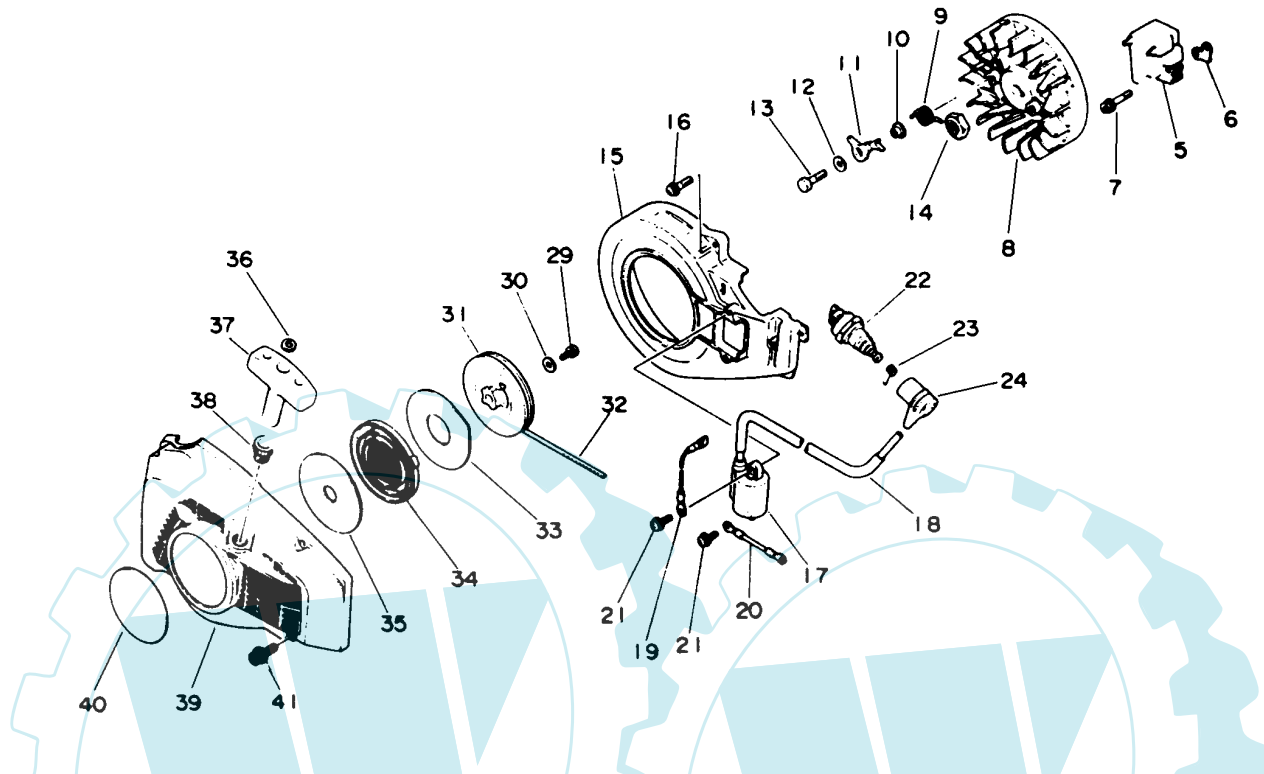
CS-510EVL 2



Key No.	Part Number	Q'ty	Description	Key No.	Part Number	Q'ty	Description		
2-	5	130 313-1233 3	1	Cover, air cleaner	2-	15	130 013-1233.1	1	Adapter
	6	130 406-1433 0	1	Nut, thumb	20	100 270 1523 0	1	Insulator	
	7	900 720-0000 3	1	O-ring 3	21	145 510-1523 0	2	Gasket	
	8	890 151-1833 0	1	Decal	22	145 511-1523 0	1	Adapter	
	9	130 310-1253 1	1	Filter, air	23	145 810-1233 0	1	Muffler	
	* 9	130 317-1233 0	1	Filter, air					
	10	900 242-0504 5	2	Screw 5x45	24	900 162 0504 5	2	H.S.H. bolt 5x45	
	11	130 420-1233 2	1	Bracket, air cleaner	25	900 162 0502 0	1	H.S.H. bolt 5x20	
	12	123 000-1833 2	1	Carburetor HDA	29	145 806-1523 0	1	Adapter	
	13	130 511-1233 0	1	Holder, intake adapter	30	900 162-0501 4	2	H.S.H. bolt 5x14	
	14	900 242-0401 2	2	Screw 4x12	31	145 862-1523 0	1	Screen	
* 9 Option									
				32	145 863-1523 0	1	Holder, screen		
				41	900 242-0401 0	2	Screw 4x10		

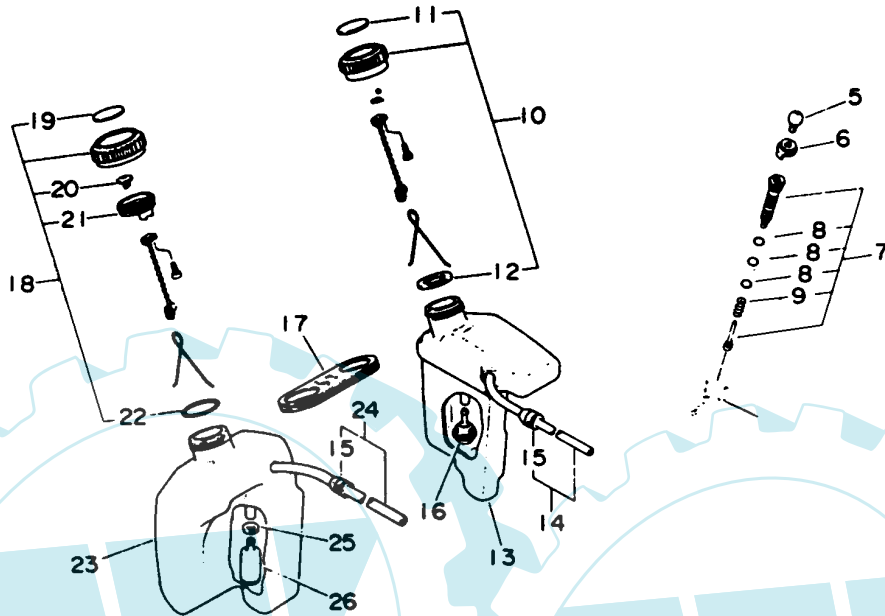


CS-510EVL 3



Key No.	Part Number	Q'ty	Description	Key No.	Part Number	Q'ty	Description
3-	5	1	C.D. Ignition module	3-	* 177 200-1253 1	1	Starter ass'y
	6	1	Spacer		29	1	Screw 5x10
	7	2	H.S.H. bolt 4x22		30	1	Washer 5
	8	1	Flywheel		31	1	Reel, starter
	9	2	Spring, pawl		32	1	Rope
	10	2	Spacer		33	1	Plate
	11	2	Pawl, starter		34	1	Spring, rewind
	12	2	Washer 5		35	1	Plate
	13	2	Bolt 5x20		36	1	Spacer
	14	1	Nut		37	1	Grip
	15	1	Cover, fan inner		38	1	Guide, rope
	16	4	Screw 4x20		39	1	Cover, fan
	17	1	Coil, ignition		40	1	Decal
	18	1	Tube		41	4	H.S.H. bolt 5x20
	19	1	Lead				
	20	1	Lead				
	21	2	Screw 4x14				
	22	1	Plug, spark CJ-7Y				
	23	1	Coil, plug cap				
	24	1	Cap, spark plug				

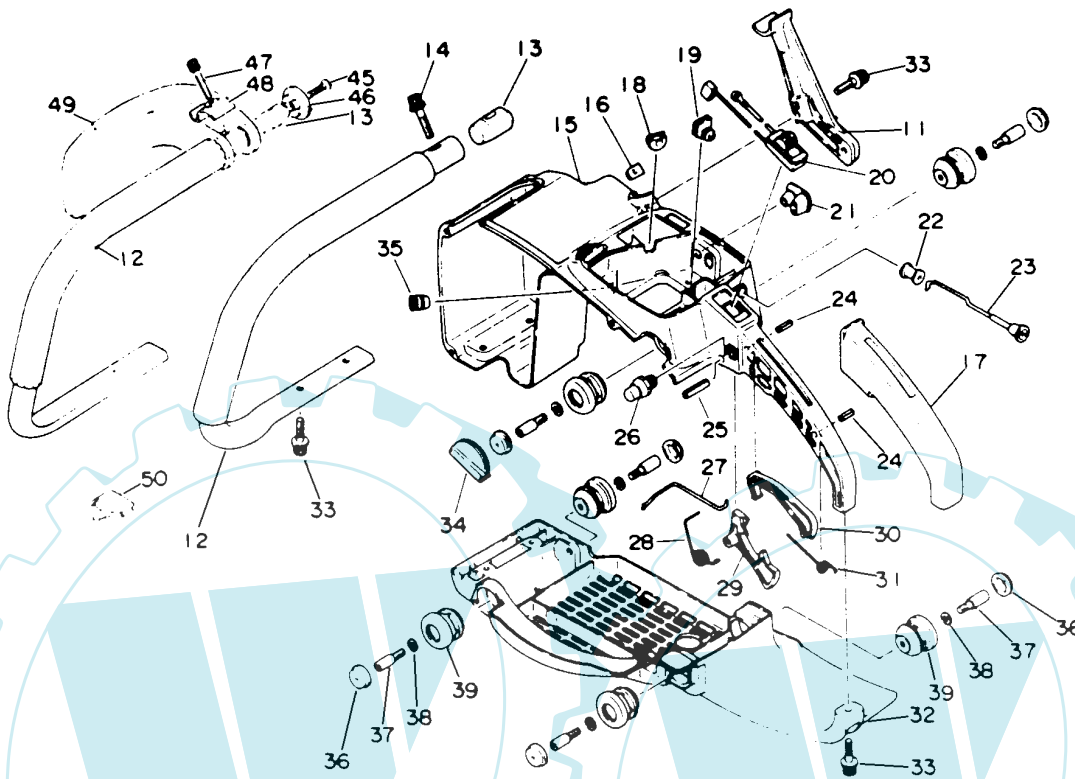
CS-510EVL 4



Key No.	Part Number	Q'ty	Description	Key No.	Part Number	Q'ty	Description
4- 5	900 220-0501 0	1	Screw 5x10	4- 20	-131 314-0033 0	1	Valve, check
6	437 059-1113 3	1	Stopper	21	-131 015-1453 1	1	Holder
7	437 000-0343 0	1	Auto oiler ass'y	22	-900 720-0002 2	1	O-ring 22
8	-437 020-0283 0	3	O-ring	23	131 010-1733 0	1	Tank, fuel
9	-437 019-0283 0	1	Spring	24	132 007-1233 0	1	Pipe
10	436 002-1453 0	1	Cap ass'y, oil	15	-132 115-1233 0	1	Grommet
11	-890 153-1143 0	1	Decal	25	900 603-0000 5	1	Washer 5
12	-436 012-1233 0	1	Gasket	26	131 205-0083 0	1	Strainer, fuel
13	436 010-1233 2	1	Tank, oil				
14	437 205-1233 0	1	Pipe				
15	-132 115-1233 0	1	Grommet				
16	436 205-1473 0	1	Strainer, Oil				
17	131 038-1233 1	1	Connector				
18	131 600-1453 1	1	Cap ass'y, fuel				
19	890 154-1513 0	1	Decal				



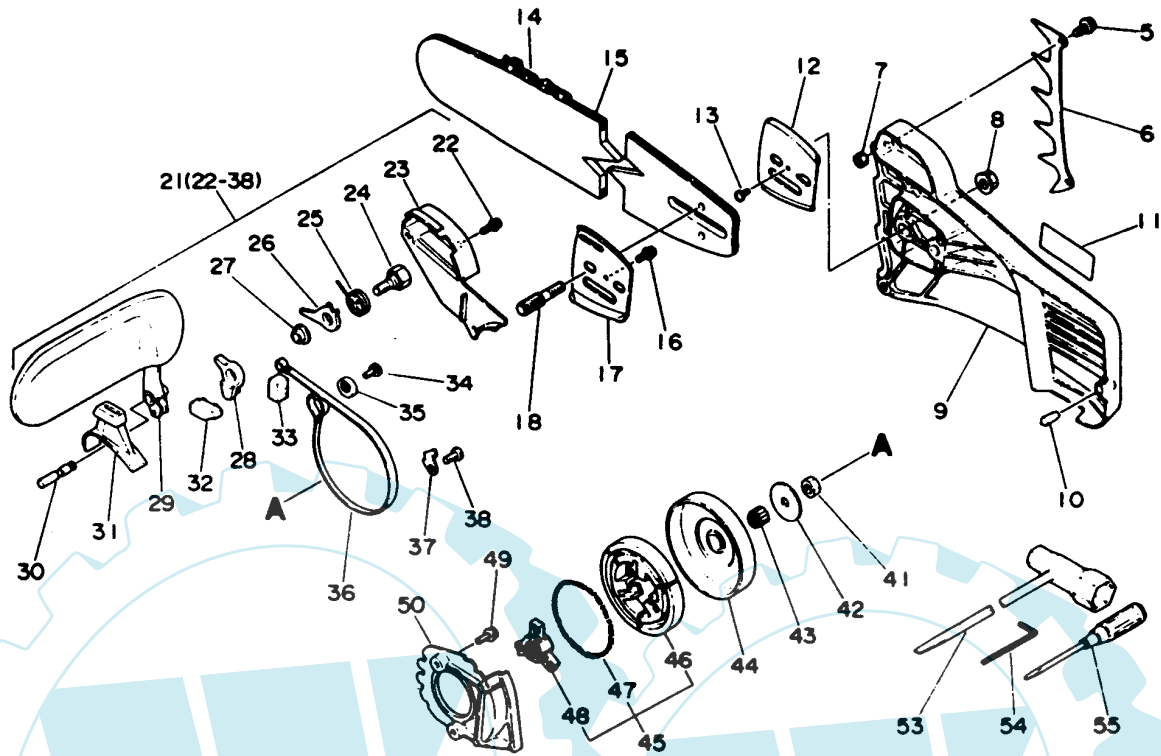
CS-510EVL 5



Key No.	Part Number	Q'ty	Description	Key No.	Part Number	Q'ty	Description
5-				5-			
11	351 614-1733 0	1	Supporter	25	900 340 5002 5	1	Pin, spring
12	351 606-1733 0	1	Handle, front	26	178 302-1233 0	1	Latch, throttle
13	351 617-1633 0	1	Insert	27	178 011-1233 1	1	Rod, throttle
14	900 162-0502 5	1	H.S.H. bolt 5x25	28	178 043-1513 0	1	Spring, return
15	351 110-1233 1	1	Handle, rear	29	178 010-1233 3	1	Trigger, throttle
16	351 137-1233 0	1	Stopper	30	178 090-1233 0	1	Lockout, throttle
17	351 111-1233 0	1	Grip, rear handle	31	178 091-1053 1	1	Spring
18	130 114-1233 0	1	Grommet	32	351 123-1253 1	1	Supporter
19	178 210-1233 0	1	Grommet	33	900 162-0502 0	5	H S H bolt 5x20
20	163 400-1523 0	1	Switch, stop	34	351 138-1433 2	1	Cover, cushion
21	129 010-1233 0	1	Grommet	35	132 115-1233 0	1	Grommet
22	178 810-1123 1	1	Grommet	36	100 918-1433 0	6	Plug
23	178 510-1233 0	1	Rod, choke	37	100 915-1433 2	6	Screw
24	900 340-4001 3	2	Pin, spring	38	900 605-0000 5	6	Lock washer
				39	100 910-1253 0	6	Cushion
				45	900 206-0501 6	1	Screw
				46	351 833-1023 0	1	Retainer
				47	900 162-0503 5	1	H S H bolt
				48	351 834-1433 0	1	Stopper
				49	351 826-1023 0	1	Hand guard, front
				50	100 612-1233 2	1	Cover

Remark: 12 Includes 13

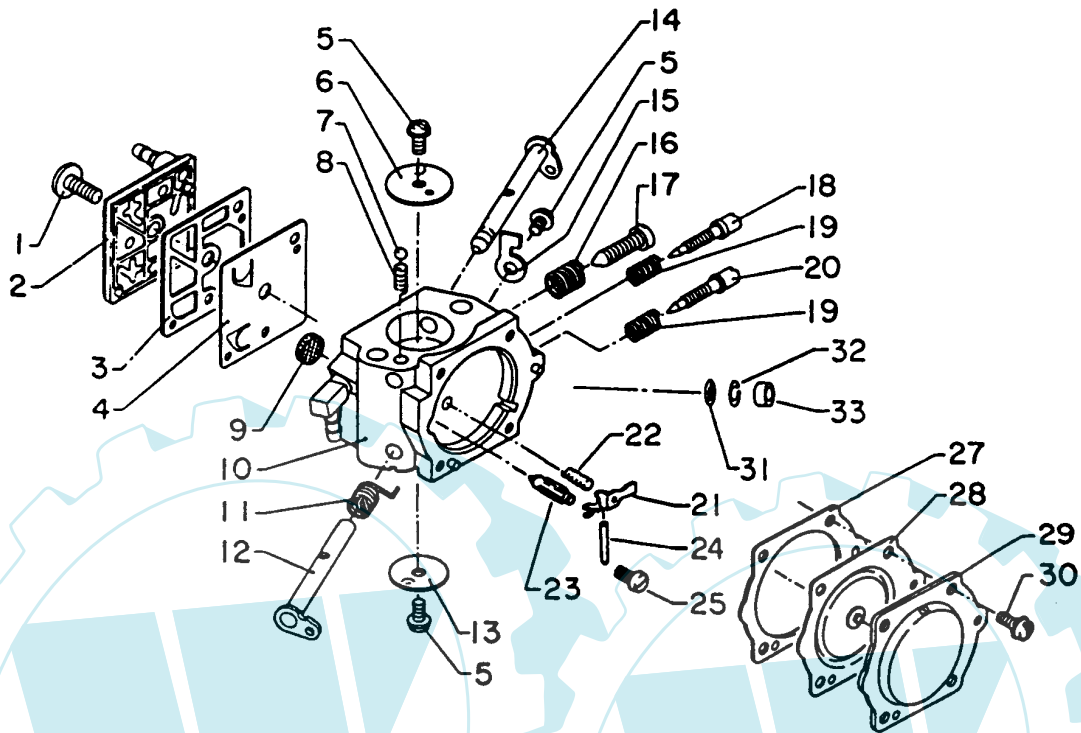
CS-510EVL 6



Key No.	Part Number	Q'ty	Description	Key No.	Part Number	Q'ty	Description
6-	5	2	H.S.H. bolt 5x12	6-	30	1	Shaft
	6	1	Spike		31	1	Cover, lever
	7	2	Nut, lock		32	1	Reset rubber
	8	2	Nut		33	1	Seal
	9	1	Guard, sprocket		34	1	Screw 5x10
	10	1	Knock		35	1	Adjuster
	11	1	Decal, ECHO		36	1	Band, brake
	12	1	Plate, outer		37	1	Retainer
	13	2	Screw 3x6		38	1	Screw 5x10
	14	1	Chain 76LP-60E		41	1	Nut
	15	1	Bar, guide 40S50		42	1	Washer
	16	1	Screw 4x10		43	1	Bearing, needle
	17	1	Plate, inner		44	1	Drum, clutch
	18	2	Stud		45	1	Clutch ass'y
	21	1	Brake ass'y, chain		46	3	Shoe
	22	3	Screw 4x10		47	1	Spring
	23	1	Cover		48	1	Hub
	24	1	Bolt		49	2	Screw 4x14
	25	1	Spring		50	1	Seal plate
	26	1	Stopper		53	1	Wrench
	27	1	Spacer		54	1	L-wrench 4
	28	1	Connector		55	1	Screw driver
	29	1	Handle				



CS-510EVL 7



Key No.	Part Number	Q'ty	Description	Key No.	Part Number	Q'ty	Description
7- *	123 000-1833 2	1	Carburetor ass'y HDA	7- 21	-123 123-1833 0	1	Lever, metering
1	-123 110-0393 0	1	Screw, pump cover	22	-123 122-1613 1	1	Spring, m. lever
2	-123 124-1233 0	1	Cover, fuel pump	23	-123 137-1613 0	1	Valve, inlet needle
3	-123 125-1233 0	1	Gasket, fuel pump	24	-123 138-0393 0	1	Pin, metering lever
4	-123 112-1233 0	1	Diaphragm, f. pump	25	-123 139-0393 0	1	Screw, m. l. pin
5	-123 114-0393 0	3	Screw throttle valve	27	-123 140-1833 0	1	Gasket, m. diaphragm
6	-123 132-1733 0	1	Valve, choke	28	-123 141-1613 0	1	Diaphragm, metering
7	-123 136-1063 0	1	Ball, choke friction	29	-123 142-1733 0	1	Cover, m. diaphragm
8	-123 135-1063 0	1	Spring, choke friction	30	-123 130-0296 0	4	Screw
9	-123 126-1063 1	1	Screen, inlet	31	-123 168-1063 1	1	Screen, check valve
11	-123 113-1233 0	1	Spring, throttle return	32	-123 169-1063 0	1	Ring, screen
12	-123 117-1233 0	1	Shaft ass'y, throttle	33	-123 146-1733 0	1	Plug, cup
13	-123 116-0393 0	1	Valve, throttle	(10)	-Not Available	1	Body ass'y,
14	-123 131-1733 0	1	Shaft ass'y, choke				
15	-123 156-1233 0	1	Throttle stop				
16	-123 133-1113 0	1	Spring, idle screw				
17	-123 134-1113 0	1	Screw, idle adjust				
18	-123 118-1833 1	1	Needle, idle				
19	-123 121-0393 0	2	Spring, needle				
20	-123 120-1833 0	1	Needle, high speed				