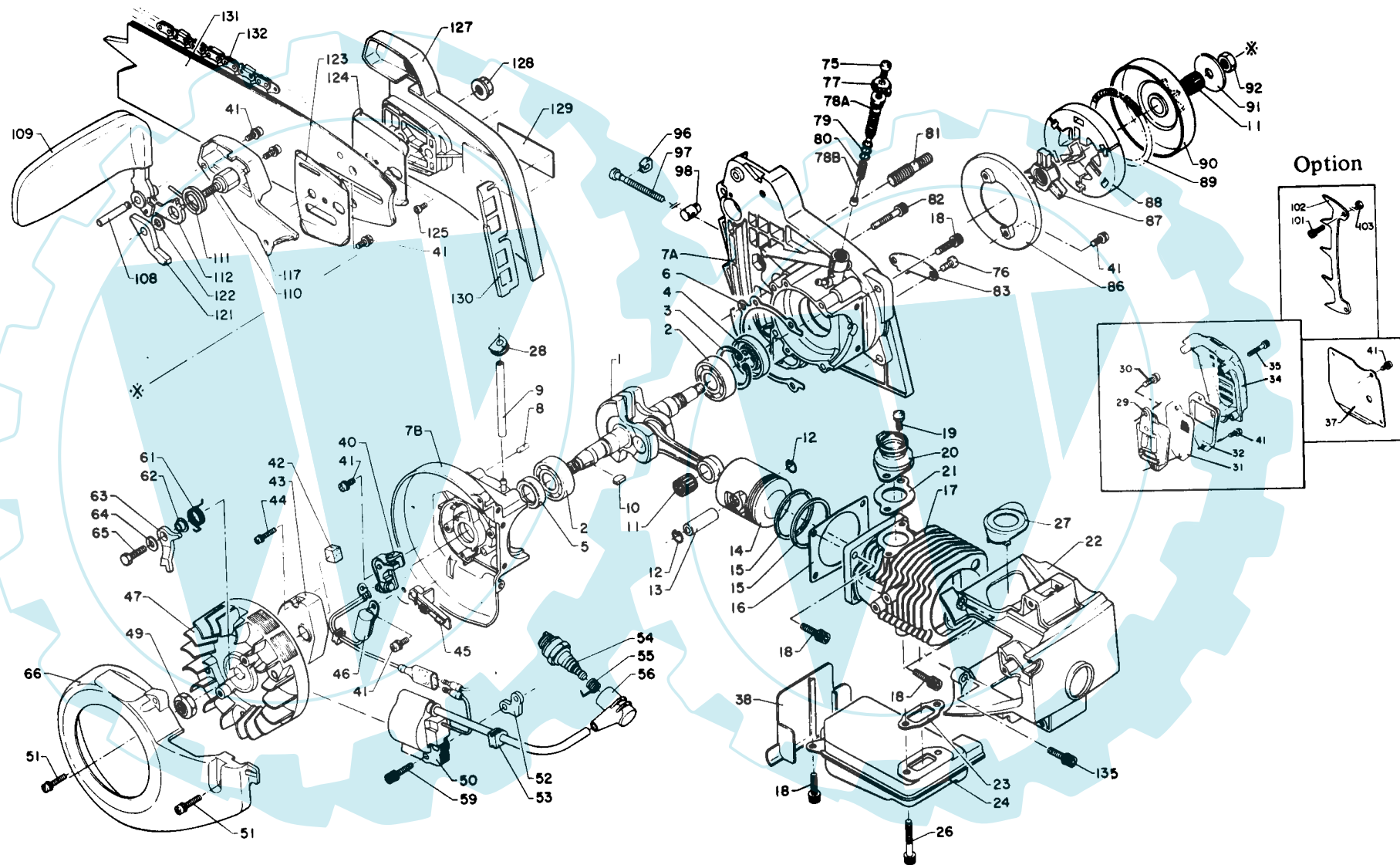


PARTS CATALOGUE



CS-500VL

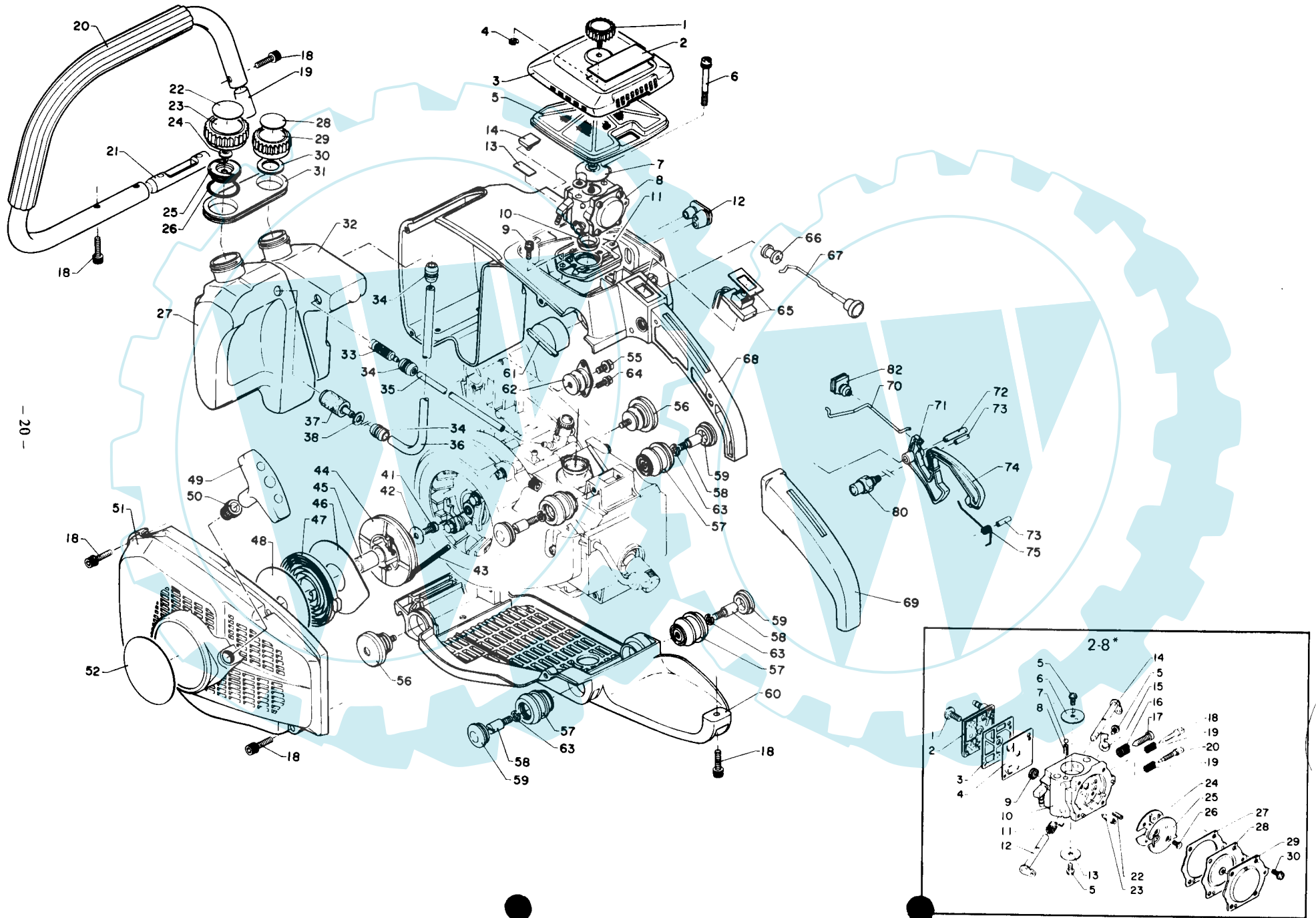
Key No.	Part No.	Q'ty	Description	Key No.	Part No.	Q'ty	Description
1- 1	100 100-1233 2	1	Crankshaft ass'y	1-79	437 020-0283 0	3	O-ring
2	900 810-0620 2	2	Ball bearing 6202	80	437 019-0283 0	1	Spring, pump plunger
3	900 702-0003 5	1	Circlip 35	81	433 011-1233 0	2	Stud
4	100 213-0283 0	1	Oil seal	82	900 162-0503 0	4	H.S.H. bolt 5x30 w/W, SW
5	100 213-0031 0	1	Oil seal	83	433 026-1233 0	1	Chain catcher
6	100 242-1233 1	1	Gasket, crankcase	86	175 310-1233 0	1	Plate
7*	100 200-1233 2	1	Crankcase set	*	175 000-1233 0	1	Clutch ass'y
8	-100 215-0393 0	2	Knock pin	87	-175 016-0343 0	1	Clutch boss
9	130 110-1233 0	1	Pipe, impulse	88	-175 017-0283 0	3	Clutch shoe
10	100 142-1233 0	1	Woodruff key	89	-175 018-0283 0	1	Clutch spring
11	100 012-1233 0	2	Needle bearing	90	175 005-1103 0	1	Clutch drum
12	100 015-0012 0	2	Circlip, piston pin	91	175 015-0343 0	1	Washer
13	100 013-0041 0	1	Piston pin	92	100 129-0343 0	1	Nut, L-H
14	100 010-1233 1	1	Piston	96	433 028-1103 0	1	Clip
15	100 011-1233 0	2	Piston ring	97	433 016-1103 0	1	Screw, adjustment
16	101 010-1233 0	1	Gasket, cylinder base	98	433 014-0283 0	1	Tensioner
17	101 011-1233 0	1	Cylinder	108	433 113-1233 0	1	Pivot bolt
18	900 162-0502 0	7	H.S.H. bolt 5x20 w/W, SW	109	433 105-1363 0	1	Brake handle
19	900 241-0501 0	2	Screw 5x10 w/SW	110	433 134-1233 0	1	Bolt
20	130 508-1233 1	1	Adapter, intake	111	433 114-1233 0	1	Spring
21	130 010-1233 0	1	Gasket	112	433 119-1233 0	1	Stopper
22	101 514-1233 3	1	Cylinder cover	117	433 310-1233 0	1	Cover
23	145 510-1233 0	1	Gasket, muffler	121	433 119-1233 0	1	Stopper
24	145 610-1233 0	1	Muffler	122	900 600-0000 6	1	Washer
26	900 162-0503 5	2	H.S.H. bolt 5x35 w/W, SW	123	433 013-1233 1	1	Side plate
27	130 034-1233 1	1	Seal	124	433 012-1233 1	1	Side plate
28	130 114-1233 0	1	Grommet	125	900 220-0300 6	2	Screw 3x6
38	100 270-1233 0	1	Insulator	127	433 010-1233 1	1	Cover, guide bar
40	156 101-1233 0	1	Breaker point set	128	433 019-1233 0	2	Flange nut
41	900 242-0401 0	8	Screw 4x10 w/W, SW	129	890 021-0393 1	1	Decal
42	156 134-0463 0	1	Oil pad	130	433 025-1233 0	1	Protector
43	156 128-1233 1	1	Breaker cover	135	900 162-0502 5	2	H.S.H bolt 5x25w/w sw
44	900 242-0301 8	2	Screw 3x18 w/W, SW				
45	159 112-1233 0	1	Clamp	Options:			
46	156 104-1233 0	1	Condenser	29	145 806-1233 1	1	Adapter
47	156 205-1233 2	1	Flywheel	30	900 162-0501 4	2	H.S.H. bolt 5x14 w/W, SW
49	100 144-1233 1	1	Nut	31	145 862-1233 1	1	Screen
50	156 108-1233 1	1	Ignition coil	32	145 863-1233 1	1	Screen holder
51	900 242-0402 0	3	Screw 4x20 w/W, SW	34	145 871-1233 1	1	Muffler cover
52	150 117-0393 0	1	Spacer	35	900 162-0402 5	3	H.S.H. bolt 4x25 w/W, SW
53	150 110-0393 0	1	Grommet	37	101 579-1233 0	1	Plate, cylinder cover
54	159 010-1233 0	1	Spark plug (BPM6A)	41	900 242-0401 0	3	Screw 4x10 w/W, SW
55	159 011-0343 2	1	Coil spring, plug cap	101	900 105-0501 2	2	H.S.H. bolt 5x12
56	159 012-0343 3	1	Cap, spark plug	102	880 210-1233 0	1	Spike bumper
59	900 162-0402 2	2	H.S.H. bolt 4x22 w/W, SW	103	900 500-0000 5	2	Nut 5
61	177 234-1233 0	2	Ratchet spring	131	430 211-1013 0	1	Guide bar
62	177 247-1233 0	2	Spacer, ratchet	132	431 011-1233 0	1	Saw chain
63	177 218-1233 0	2	Ratchet				
64	900 602-0000 5	2	Washer 5				
65	900 100-0502 0	2	Bolt 5x20				
66	101 535-1233 0	1	Fan cover, inner				
75	437 016-1113 1	1	Screw				
76	900 220-0501 0	2	Screw 5x10				
77	437 059-1113 3	1	Lock washer				
78*	437 002-0343 1	1	Plunger & cylinder set				

Remarks:

7* Consisting of 7A, 7B and 8.

78* Consisting of 78A and 78B.

* Consisting of 87 thru 89.



CS-500VL

Key No.	Part No.	Q'ty	Description	Key No.	Part No.	Q'ty	Description
2-1	130 406-0393 0	1	Thumb bolt	2-60	351 123-1233 0	1	Supporter
2	890 151-1233 0	1	Decal	61	351 138-1233 0	1	Cover, cushion
3	130 313-1233 1	1	Cover, air cleaner	62	100 921-1233 1	1	Cushion
4	900 700-0000 3	1	E-ring 3	63	900 605-0000 5	4	Spring washer 5
5	130 310-1253 1	1	Air filter	64	900 242-0401 0	2	Screw 4x10 w/W, SW
6	900 242-0504 5	2	Screw 5x45 w/W, SW	65	163 400-1233 0	1	Switch
7	130 420-1233 2	1	Bracket, air cleaner	66	178 810-1123 1	1	Grommet
8	123 000-1233 2	1	Carburetor ass'y	67	178 510-1233 0	1	Choke rod
9	900 242-0401 2	2	Screw 4x12 w/W, SW	68	351 110-1233 1	1	Rear handle
10	130 511-1233 0	1	Holder, intake adapter	69	351 111-1233 0	1	Grip, rear handle
11	130 013-1233 1	1	Adapter, carburetor	70	178 011-1233 1	1	Throttle rod
12	129 010-1233 0	1	Grommet	71	178 010-1233 1	1	Throttle trigger
13	890 155-1233 0	1	Decal, oiler	72	900 340-5002 5	1	Spring pin 5x25
14	351 137-1233 0	1	Stopper, cushion	73	900 340-4001 3	2	Spring pin 4x13
18	900 162-0502 0	8	H.S.H. bolt 5x20 w/W, SW	74	178 090-1233 0	1	Safety lock
20	351 606-1233 0	1	Front handle	75	178 091-1053 1	1	Spring, safety lock
19	-351 611-1053 0	1	Insert, front handle	80	178 302-1233 0	1	Throttle lock
21	-351 612-1233 0	1	Insert, front handle	82	178 210-1233 0	1	Grommet
22	890 154-0393 0	1	Decal, fuel mix				
**	131 004-1233 0	1	Cap ass'y fuel tank				
23	-131 017-1233 0	1	Cap, fuel tank	2-8*	123 000-1233 2	1	Carburetor ass'y
24	-131 314-0033 0	1	Check valve	1	-123 110-0393 0	1	Screw, pump cover
25	-131 015-1233 0	1	Holder, check valve	2	-123 124-1233 0	1	Cover, fuel pump
26	-900 720-0002 2	1	O-ring	3	-123 125-1233 0	1	Gasket, fuel pump
27	131 010-1233 1	1	Fuel tank	4	-123 112-1233 0	1	Diaphragm, fuel pump
28	890 153-0393 0	1	Decal, oil	5	-123 114-0393 0	3	Screw throttle valve
***	436 001-1233 0	1	Cap ass'y, oil tank	6	-123 132-1233 0	1	Valve, choke
29	-436 000-1233 0	1	Cap, oil tank	7	-123 136-1063 0	1	Ball, choke friction
30	-436 012-1233 0	1	Gasket, oil tank cap	8	-123 135-1063 0	1	Spring, choke friction
31	131 038-1233 1	1	Connector	9	-123 126-1063 1	1	Screen, inlet
32	436 010-1233 2	1	Chain oil tank	11	-123 113-1233 0	1	Spring, throttle return
33	436 205-1233 0	1	Oil strainer	12	-123 117-1233 0	1	Shaft ass'y, throttle
34	132 115-1233 0	3	Grommet	13	-123 116-0393 0	1	Valve, throttle
35	437 210-1233 2	1	Oil pipe	14	-123 131-1233 0	1	Shaft ass'y, choke
36	132 010-1233 1	1	Fuel pipe	15	-123 156-1233 0	1	Throttle stop
37	131 205-0523 0	1	Fuel strainer	16	-123 133-1113 0	1	Spring, idle screw
38	900 600-0000 6	1	Washer 6	17	-123 134-0653 0	1	Screw, idle adjustment
****	177 200-1233 1	1	Recoil starter ass'y	18	-123 120-1233 0	1	Needle, high speed
41	-900 241-0501 0	1	Screw 5x10 w/SW	19	-123 121-0393 0	2	Spring, needle
42	-177 214-0283 0	1	Washer	20	-123 118-1233 0	1	Needle, idle
43	-177 226-0283 0	1	Starter rope	22	-123 122-0393 0	1	Spring, metering lever
44	-177 206-1233 0	1	Recoil drum	23	-123 137-0393 0	1	Valve, inlet needle
45	-177 216-1233 0	1	Bush	24	-123 164-1233 0	1	Gasket, circuit plate
46	-177 242-1233 0	1	Side plate	25	-123 166-1233 2	1	Plate, circuit
47	-177 220-0283 4	1	Rewind spring	26	-123 167-1233 0	2	Screw, circuit plate
48	-177 221-0283 0	1	Side plate	27	-123 140-1063 0	1	Gasket, metering diaphragm
49	-177 228-1233 0	1	Starter handle	28	-123 141-1233 0	1	Diaphragm, metering
50	-177 227-0023 0	1	Rope guide	29	-123 142-1233 0	1	Cover, metering diaphragm
51	-101 507-1233 1	1	Fan cover	30	-123 144-0393 0	4	Screw
52	890 112-1233 0	1	Decal	(10)	-Not Available	1	Body ass'y, carburetor
55	900 242-0501 0	1	Screw 5x10 w/W, SW	Remarks:			
56	100 905-1233 0	2	Cushion	** Consisting of 23 thru 26.			
57	100 910-1253 0	4	Cushion	*** Consisting of 29 thru 30.			
58	100 915-1253 0	4	Screw	**** Consisting of 41 thru 51.			
59	100 918-1233 0	4	Plug	2-8* Consisting of 1 thru 30. Except 21.			