

Stand 01.02.2002

## ERSATZTEILLISTE

**ECHO Motorsäge**  
**CS-3000, CS-3050**  
**CS-3400, CS-3450**

ECHO-Motorgeräte  
Vertrieb Deutschland GmbH  
Otto-Schott-Str. 7

72555 Metzingen

Telefon 07123-1091  
Telefax 07123-2589  
<http://www.echo-shop.de>  
email: [info@echo-shop.de](mailto:info@echo-shop.de)



Ersatzteilliste CS-3000, CS-3050, CS-3400, CS-3450

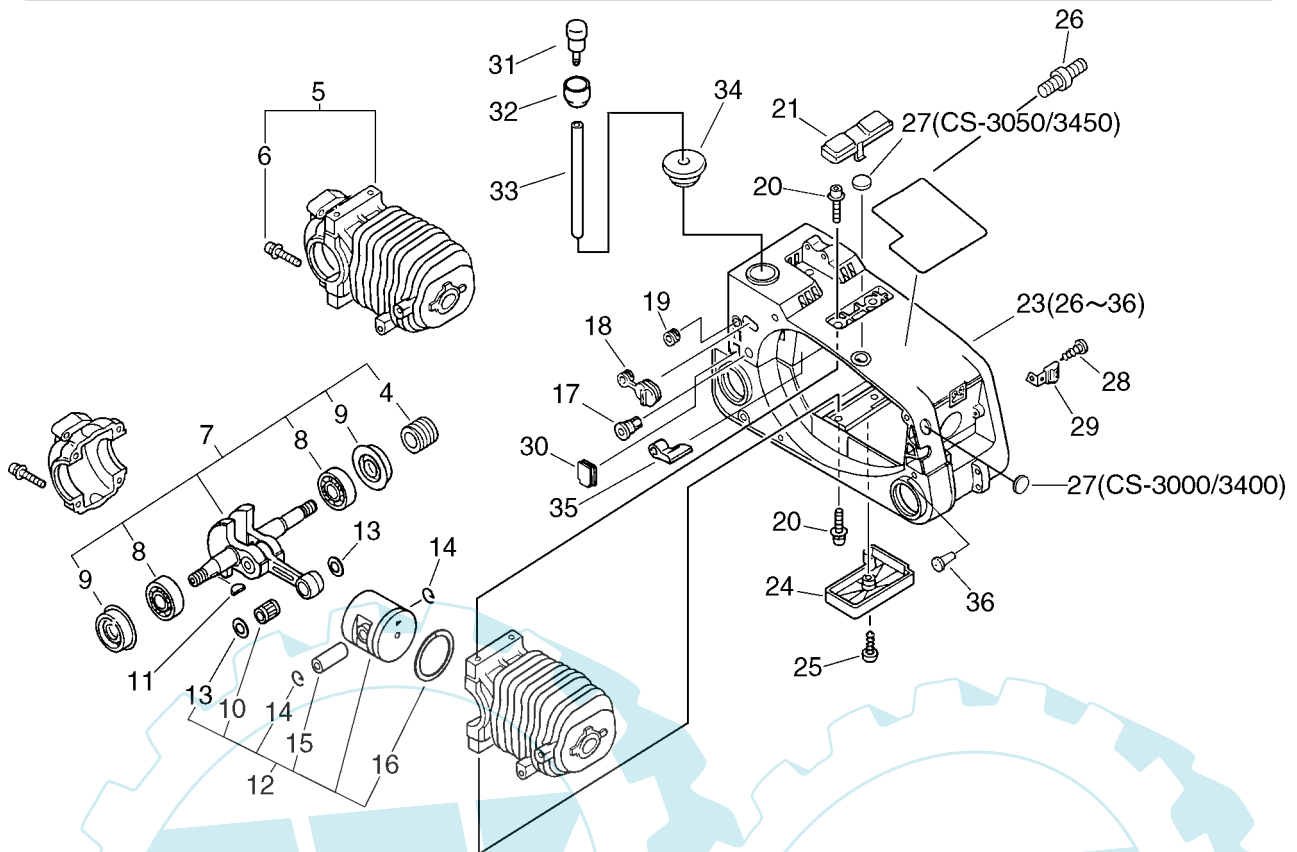


Bild	Artikelnummer	Anzahl	Beschreibung	Anmerkung
5	100202-39130	1	CRANKCASE SET	Sus. by 100202-39131
5	100202-39131	1	CRANKCASE SET	CS-3000/3050
5	100202-39530	1	CRANKCASE SET	Sus. by 100202-70031
5	100202-39431	1	CRANKCASE SET(ALFED)	Sus. by 100202-70031
5	100202-70030	1	CRANKCASE SET	Sus. by 100202-70031
5	100202-70031	1	CRANKCASE SET	CS-3400/3450
6 +	900238-05025	4	SCREW 5*25	
7	100101-39130	1	CRANKSHAFT ASSY	
4 +	437063-38330	1	GEAR, WORM	
8 +	900810-36201	2	BEARING, BALL 6201	Sus. by 94035-36201
8 +	94035-36201	2	BEARING, BALL	
9 +	100213-38330	2	OILSEAL	
11	100142-42030	1	KEY, WOODRUFF	Sus. by 100142-39130
11	100142-39130	1	KEY, WOODRUFF	
12	100000-39130	1	PISTON KIT	CS-3000/3050
12	100000-39530	1	PISTON KIT	Sus. by 100000-39230
12	100000-39230	1	PISTON KIT	CS-3400/3450
10 +	175012-03930	1	BEARING, NEEDLE	
13 +	100014-11520	2	SPACER, PISTON PIN	
14 +	100015-04630	2	CIRCLIP, PISTON PIN	
15 +	100013-15330	1	PIN, PISTON	
16 +	100011-46430	1	RING, PISTON	CS-3000/3050

Bild	Artikelnummer	Anzahl	Beschreibung	Anmerkung
16 +	100011-13330	2	RING, PISTON	CS-3400/3450
17	129023-39130	1	GROMMET, IDLE	
18	129010-39130	1	GROMMET, NEEDLE	
19	178810-03330	1	GROMMET	
20	900106-05016	4	BOLT, H.S. 5*16	
21	104029-39130	1	PLUG, UPPER	
24	104044-39130	1	PLUG, LOWER	
25	900256-04016	1	SCREW 4*16	
23	104000-39131	1	COVER KIT, ENGINE	Sus. by 104000-39133
23	104000-39132	1	COVER KIT, ENGINE	Sus. by 104000-39133
23	104000-39133	1	COVER KIT, ENGINE	
26 +	433011-03931	2	STUD, GUIDE BAR	
27 +	163911-39130	1	PLUG	
28 +	900253-04010	1	SCREW 4*10	
29 +	104215-39131	1	LATCH	
30 +	104034-39130	1	PLUG	
31 +	131300-40630	1	VALVE, CHECK	Sus. by 131300-56430
31 +	131300-56430	1	VALVE, CHECK	
32 +	131328-39130	1	COVER, VENT	
33 +	132010-39230	1	PIPE 3* 5*100	Sus. by 132010-04920
33 +	132010-04920	1	PIPE, FUEL	
34 +	132115-39130	1	GROMMET, FUEL	
35 +	130336-39530	1	PLUG	
36 +	436114-13930	1	VALVE, CHECK	

Ersatzteilliste CS-3000, CS-3050, CS-3400, CS-3450

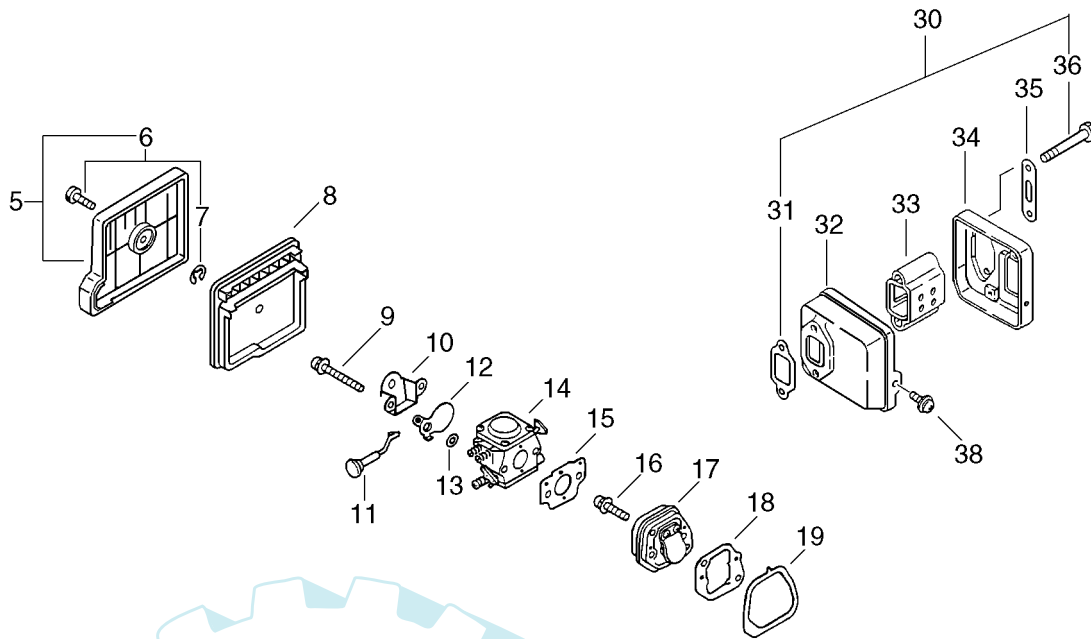


Bild	Artikelnummer	Anzahl	Beschreibung	Anmerkung
5	130302-39132	1	COVER ASSY, AIR CLN.	Sus. by 130302-39134
5	130302-39133	1	COVER ASSY, AIR CLN.	Sus. by 130302-39134
5	130302-39134	1	COVER ASY, A.CLEANER	
6 +	130406-13932	1	BOLT, THUMB	
7 ++	900700-00004	1	E-RING 4	
8	130310-39131	1	FILTER, AIR	Sus. by 130310-39132
8	130310-39132	1	FILTER, AIR	
9	900238-05045	2	SCREW 5*45	
10	129011-39130	1	PLATE, PREVENT	
11	178510-39130	1	ROD, CHOKE	
12	178515-15031	1	SHUTTER, CHOKE	Sus. by 178515-39130
12	178515-39130	1	SHUTTER, CHOKE	
13	178516-03930	2	WASHER	
14	123000-39130	1	CARBURETOR ASY	Sus. by 123000-60131
14	123000-39230	1	CARBURETOR ASY	Sus. by 123000-60131
14	123000-39430	1	CARBURETOR ASY	Sus. by 123000-60131
14	123000-39530	1	CARBURETOR ASY	Sus. by 123000-60131
14	123001-39631	1	CARBURETOR ASY	Sus. by 123000-60131
14	123000-60130	1	CARBURETOR WT-385	Sus. by 123000-60131
14	123000-60131	1	CARBURETOR WT-385A	
15	130016-39130	1	GASKET, INTAKE	
16	900250-05018	2	SCREW 5*18	
17	130000-39130	1	INSULATOR KIT	Sus. by 130000-39131 /CS-3000/3050
17	130000-39130	1	INSULATOR KIT	Sus. by P021-000010 /CS-3400/3450
17	130000-39131	1	INSULATOR KIT	CS-3000/3050
17	P021-000010	1	INSULATOR KIT	CS-3400/3450
18	130010-39130	1	GASKET, INTAKE	
19	130012-39130	1	SEAL	
30	145600-14931	1	MUFFLER ASSY	
31 +	145510-13931	1	GASKET, MUFFLER	
32 +	145858-13931	1	MUFFLER	
33 +	145859-13930	1	SILENCER	
34 +	145606-14931	1	LID, MUFFLER	
35 +	145642-13930	1	WASHER, MUFFLER	
36 +	101023-13930	2	BOLT, MUFFLER	
38 +	900250-04008	1	SCREW 4*8	



Ersatzteilliste CS-3000, CS-3050, CS-3400, CS-3450

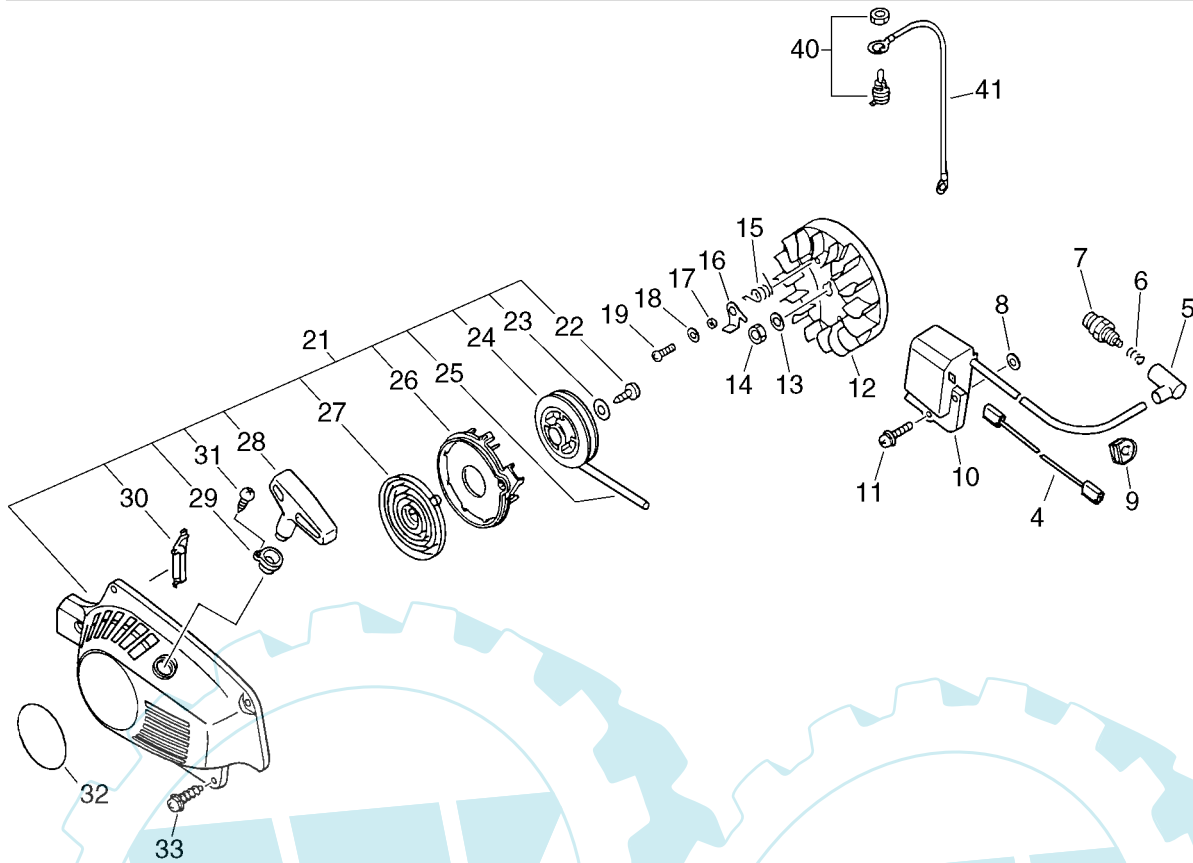


Bild	Artikelnummer	Anzahl	Beschreibung	Anmerkung
4	162010-39430	1	LEAD	Sr/Nr 062041 and after/CS-3000
4	162010-39430	1	LEAD	Sr/Nr 009521 and after/CS-3050
4	162010-39430	1	LEAD	Sr/Nr 025154 and after/CS-3400
4	162010-39430	1	LEAD	Sr/Nr 012421 and after/CS-3450
5	159012-01620	1	CAP, SPARK PLUG	
6	159011-03432	1	COIL, SPARK PLUG CAP	
7	159010-10230	1	PLUG, SPARK (BPMR-7A	
8	150117-16430	2	SPACER	
9	156110-04920	1	BUSHING	
10	156626-39130	1	COIL, IGNITION	Sr/Nr 062040 and before/CS-300
10	156626-39130	1	COIL, IGNITION	Sr/Nr 009520 and before/CS-305
10	156626-39130	1	COIL, IGNITION	Sr/Nr 025153 and before/CS-340
10	156626-39130	1	COIL, IGNITION	Sr/Nr 012420 and before/CS-345
10	156626-39430	1	COIL, IGNITION	Sr/Nr 062041 and after/CS-3000
10	156626-39430	1	COIL, IGNITION	Sr/Nr 009521 and after/CS-3050
10	156626-39230	1	COIL, IGNITION	Sr/Nr 025154 and after/CS-3400
10	156626-39230	1	COIL, IGNITION	Sr/Nr 012421 and after/CS-3450
11	900238-05020	2	SCREW 5*20	Sr/Nr 062040 and before/CS-300
11	900238-05020	2	SCREW 5*20	Sr/Nr 009520 and before/CS-305
11	900238-05020	2	SCREW 5*20	Sr/Nr 025153 and before/CS-340
11	900238-05020	2	SCREW 5*20	Sr/Nr 012420 and before/CS-345
11	900238-05022	2	SCREW 5*22	Sr/Nr 062041 and after/CS-3000
11	900238-05022	2	SCREW 5*22	Sr/Nr 009521 and after/CS-3050
11	900238-05022	2	SCREW 5*22	Sr/Nr 025154 and after/CS-3400
11	900238-05022	2	SCREW 5*22	Sr/Nr 012421 and after/CS-3450
12	156800-35630	1	ROTOR, MAGNETO	Sr/Nr 062040 and before/CS-300
12	156800-35630	1	ROTOR, MAGNETO	Sr/Nr 009520 and before/CS-305
12	156800-35630	1	ROTOR, MAGNETO	Sr/Nr 025153 and before/CS-340
12	156800-35630	1	ROTOR, MAGNETO	Sr/Nr 012420 and before/CS-345
12	156800-39430	1	ROTOR, MAGNETO	Sr/Nr 062041 and after/CS-3000
12	156800-39430	1	ROTOR, MAGNETO	Sr/Nr 009521 and after/CS-3050
12	156800-39230	1	ROTOR, MAGNETO	Sus. by 156800-39231
12	156800-39231	1	ROTOR, MAGNETO	Sr/Nr 025154 and after/CS-3400

Bild	Artikelnummer	Anzahl	Beschreibung	Anmerkung
12	156800-39231	1	ROTOR, MAGNETO	Sr/Nr 012421 and after/CS-3450
13	900600-00008	1	WASHER 8	
14	900500-00008	1	NUT 8	
15	177234-35430	2	SPRING, RETURN	
16	177218-35630	2	PAWL, STARTER	Sus. by A514-000000
16	177218-35631	2	PAWL, STARTER	Sus. by A514-000000
16	A514-000000	2	PAWL	
17	177247-04630	2	SPACER, RATCHET	
18	900603-00005	2	WASHER 5	
19	900216-05012	2	SCREW 5*12	
21	177200-39430	1	STARTER ASY	Sus. by 177200-39432
21	177200-39431	1	STARTER ASY	Sus. by 177200-39432
21	177200-39432	1	STARTER ASY	
22 +	900253-04014	1	SCREW 4*14	
23 +	177214-04630	1	WASHER	
24 +	177215-35630	1	DRUM, STARTER	Sus. by 177215-35632
24 +	177215-35631	1	DRUM, STARTER	Sus. by 177215-35632
24 +	177215-35632	1	DRUM, STARTER	
25 +	177226-06530	1	ROPE, STARTER	
26 +	177221-35631	1	PLATE, STARTER	
27 +	177220-35430	1	SPRING, REWIND	
28 +	177228-35430	1	GRIP, STARTER (BL)	
29 +	177227-39130	1	GUIDE, ROPE (BL)	Sus. by 177227-39131
29 +	177227-39131	1	GUIDE, ROPE BL	
30 +	177256-39130	1	PLUG	
31 +	900253-03010	1	SCREW 3*10	Sus. by 900296-03014
31 +	900296-03014	1	SCREW 3*14	
32	890118-49330	1	LABEL, ECHO	
33	900256-04016	4	SCREW 4*16	
40	163400-39130	1	SWITCH, IGNITION	CS-3000/3400
40	163400-19830	1	SWITCH, IGNITION	CS-3050/3450
41	162010-39130	1	LEAD, GROUND	Sus. by 162010-39131
41	162010-39131	1	LEAD, GROUD	

Ersatzteilliste CS-3000, CS-3050, CS-3400, CS-3450

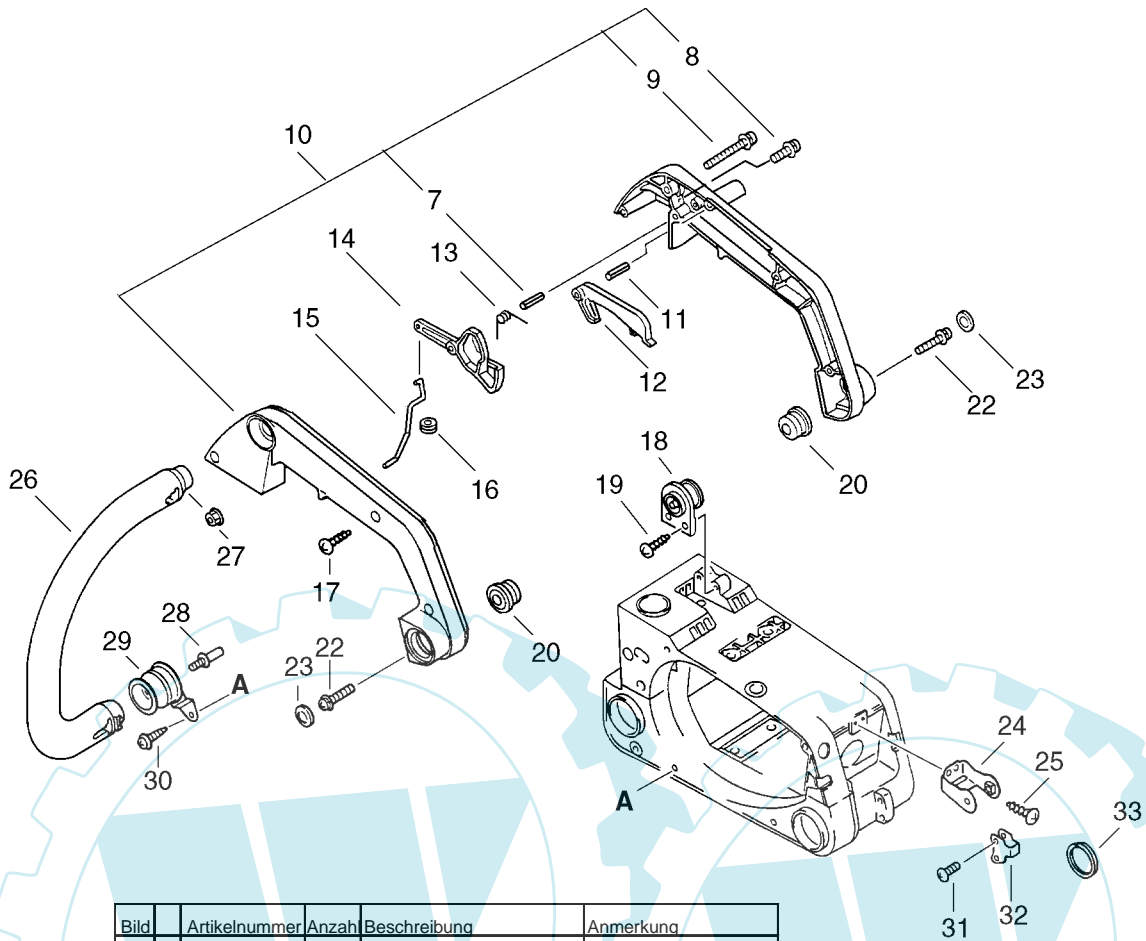


Bild	Artikelnummer	Anzahl	Beschreibung	Anmerkung
10	351100-39130	1	HANDLE SET, REAR BL	Sus. by 351100-39131
10	351100-39131	1	HANDLE SET, REAR BL	
7 +	900345-40025	1	PIN, SPRING 4*25SUS	
8 +	900238-05014	1	SCREW 5*14	
9 +	900238-05035	1	SCREW 5*35	
11 +	900345-40020	1	PIN, SPRING 4*20	
17 +	900256-04016	3	SCREW 4*16	
12	178090-39130	1	LOCKOUT, THROTTLE	
13	178043-39131	1	SPRING, THR. RETURN	
14	178010-39130	1	CONTROL, THROTTLE	Sus. by 178010-39131
14	178010-39131	1	CONTROL, THROTTLE	
15	178011-39130	1	ROD, THROTTLE	Sus. by 178011-39131
15	178011-39131	1	ROD, THROTTLE	
16	178210-39130	1	GROMMET, THROTTLE	
18	100907-39130	1	CUSHION	Sus. by 100907-39131
18	100907-39131	1	CUSHION	
19	900253-04014	2	SCREW 4*14	
20	100921-39130	2	CUSHION	
22	900238-04010	2	SCREW 4*10	
23	100918-15130	2	CAP	
24	351123-39131	1	SUPPORTER	
25	900253-04014	2	SCREW 4*14	
26	351610-39130	1	HANDLE, FRONT	
27	900516-00005	1	NUT, FRANGE 5	
28	100915-33930	1	SCREW	
29	100910-35630	1	CUSHION	
30	900256-04016	1	SCREW 4*16	
31	900238-04016	2	SCREW 4*16	
32	300314-39130	1	FIXTURE, HARNESS	
33	300318-39130	1	HOOK	Sus. by 301016-52730
33	300318-39330	1	HOOK	Sus. by 301016-52730
33	301016-52730	1	RING, HARNESS	

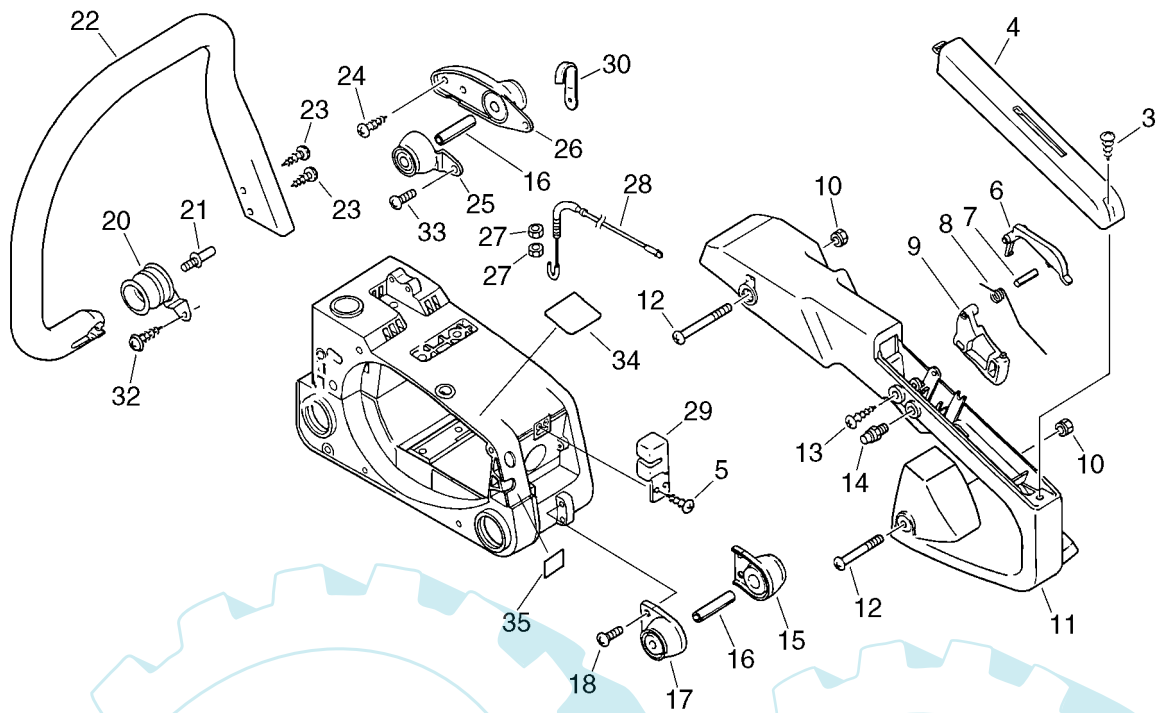


Bild	Artikelnummer	Anzahl	Beschreibung	Anmerkung
3	900256-04022	1	SCREW 4*22	
4	351155-39430	1	COVER, HANDLE	
5	900253-04014	2	SCREW 4*14	
6	178090-39430	1	LOCKOUT, THROTTLE	
7	900330-40200	1	ROLLER 4*19.8	
8	178091-39430	1	SPRING, THR. LOCKOUT	
9	178010-39430	1	CONTROL, THROTTLE	
10	900516-00005	2	NUT, FRANGE 5	
11	351110-39530	1	HANDLE, REAR	Sus. by 351110-39431
11	351110-39431	1	HANDLE, REAR	
12	900238-05057	2	SCREW 5*57	
13	900253-04025	1	SCREW 4*25	
14	178302-37930	1	LATCH, THROTTLE	
15	351621-39430	1	CUSHION (LOWER)	
16	100924-39430	2	COLLAR, 5	
17	351624-39430	1	CUSHION (LOWER)	
18	900238-04014	2	SCREW 4*14	
20	100910-35630	1	CUSHION	
21	100915-33930	1	SCREW	
22	351610-39430	1	HANDLE, FRONT	
23	900253-05020	2	SCREW 5*20	
24	900253-04014	2	SCREW 4*14	
25	100917-39431	1	CUSHION (UPPER)	
26	100910-39430	1	CUSHION (UPPER)	
27	900502-00006	2	NUT 6 (3N)	
28	178001-39430	1	WIRE, THROTTLE	
29	100921-39430	1	CUSHION	
30	159113-18430	1	CLIP	
32	900256-04016	1	SCREW 4*16	
33	900238-04010	1	SCREW 4*10	
34	890345-39230	1	LABEL, CAUTION	
35	890157-39130	1	LABEL, SWITCH	

Ersatzteilliste CS-3000, CS-3050, CS-3400, CS-3450

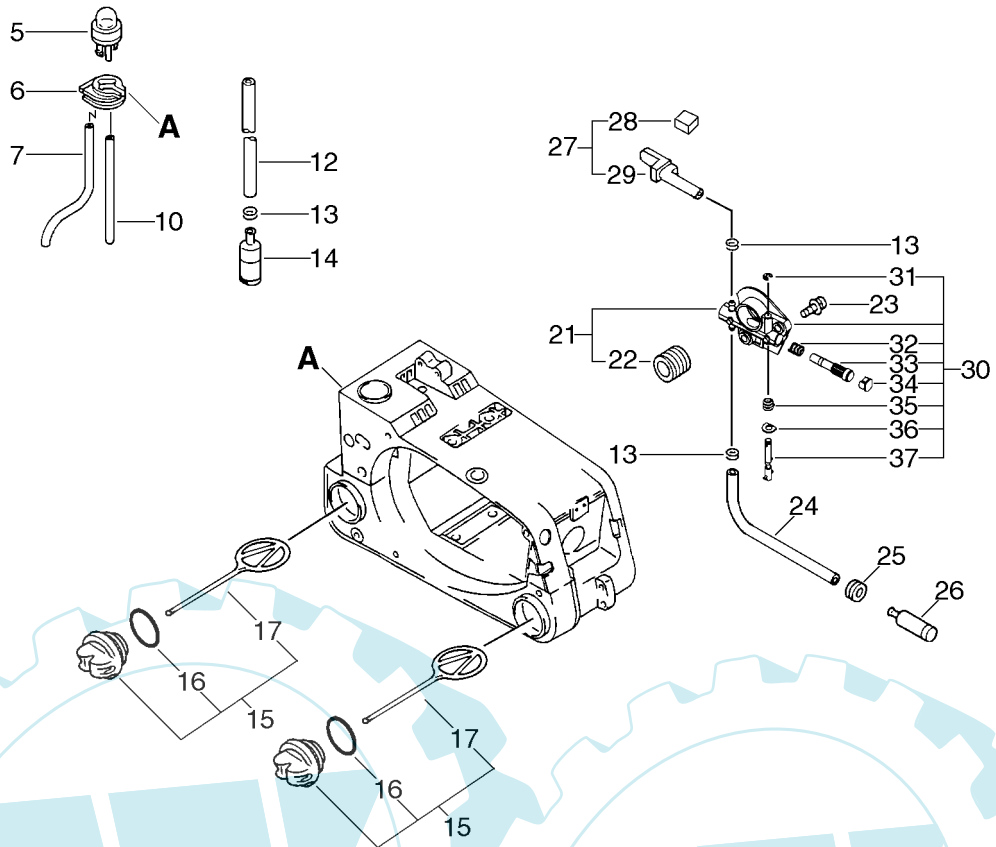


Bild	Artikelnummer	Anzahl	Beschreibung	Anmerkung
5	123181-39130	1	PUMP, PRINER	
6	132758-39130	1	BRACKET, PUMP	
7	132716-39130	1	PIPE 2*4*42	
10	131312-44330	1	PIPE, 3*5*70L	Sus. by 131312-44330
10	131312-39130	1	PIPE	Sus. by 131312-44330
10	131312-44330	1	PIPE, 3*5*70L	
12	132012-39130	1	PIPE	
13	132013-26630	3	CLIP	
14	131205-14930	1	STRAINER,FUEL	
15	436001-39131	2	CAP ASSY, TANK	
16	+ 900721-00025	2	O-RING 25	
17	+ 131051-19830	2	LINK	
21	437000-39130	1	AUTO-OILER ASY	
22	+ 437063-38330	1	GEAR, WORM	
30	+ 437002-39130	1	AUTO-OILER ASY	
31	++ 123127-15030	1	RING	
32	++ 437019-38330	1	SPRING	
33	++ 437024-37330	1	PLUNGER	
34	++ 437062-37330	1	CAP, OIL PUMP	
35	++ 437015-37330	1	SPRING	
36	++ 437029-37330	1	WASHER	
37	++ 437016-39130	1	NEEDLE, ADJUST	
23	900235-05012	2	SCREW 5*12	
24	132012-35430	1	PIPE	Sus. by V471-000110
24	V471-000110	1	PIPE	
25	132115-01461	1	GROMMET, FUEL	
26	436205-02832	1	STRAINER, OIL	
27	437201-39130	1	PIPE KIT, OIL	Sus. by 437201-39131
27	437201-39131	1	PIPE KIT, OIL	
28	+ 437244-39130	1	PAD, FORM	
29	+ 437211-39133	1	PIPE	



Ersatzteilliste CS-3000, CS-3050, CS-3400, CS-3450

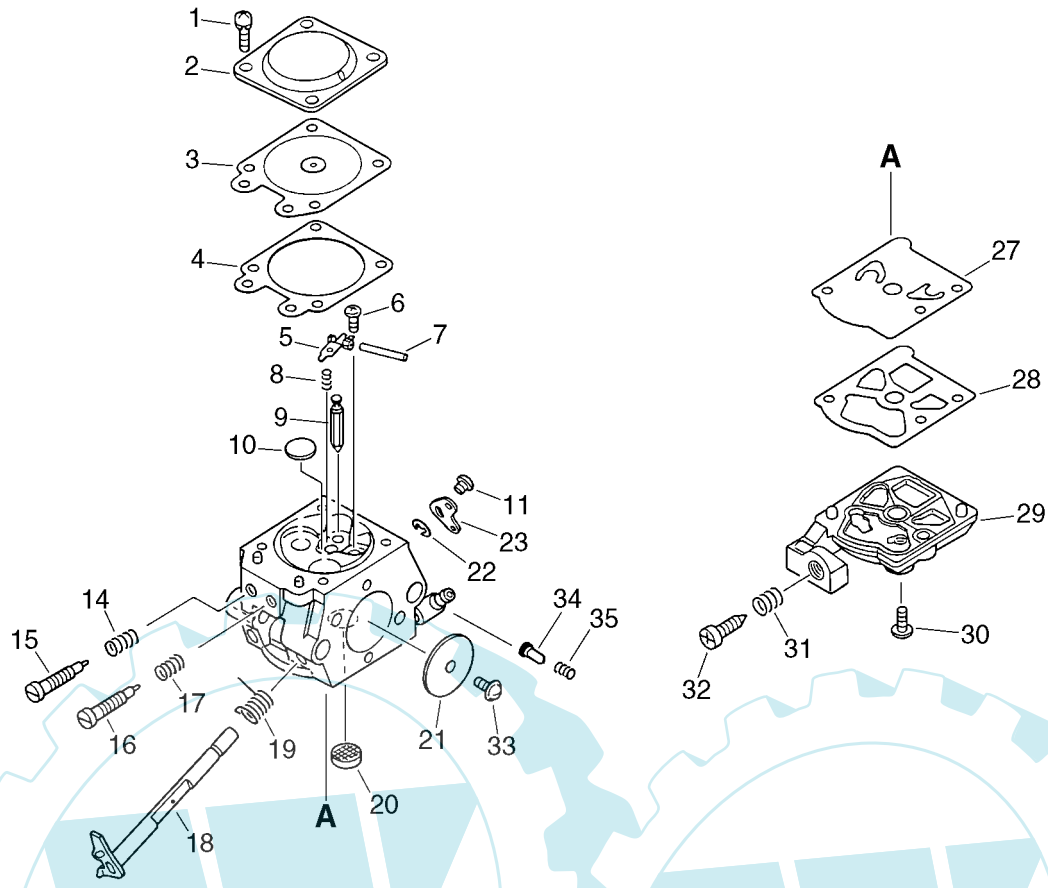


Bild	Artikelnummer	Anzahl	Beschreibung	Anmerkung
	123000-39130	1	CARBURETOR ASY	Sus. by 123000-60131
	123000-39230	1	CARBURETOR ASY	Sus. by 123000-60131
	123000-39430	1	CARBURETOR ASY	Sus. by 123000-60131
	123000-39530	1	CARBURETOR ASY	Sus. by 123000-60131
	123001-39631	1	CARBURETOR ASY	Sus. by 123000-60131
	123000-60130	1	CARBURETOR WT-385	Sus. by 123000-60131
	123000-60131	1	CARBURETOR WT-385A	
1 +	123130-02960	4	SCREW	
2 +	123142-03930	1	COVER, M. DIAPHRAGM	
3 +	123141-03930	1	DIAPHRAGM, METERING	
4 +	123140-27230	1	GASKET, M. DIAPHRAGM	
5 +	123123-03930	1	LEVER, METERING	
6 +	123139-03930	1	SCREW, M. LEVER PIN	
7 +	123138-03930	1	PIN, METERING LEVER	
8 +	123122-06530	1	SPRING, METER. LEVER	Sr/Nr 009025 and before/CS-3000
8 +	123122-06530	1	SPRING, METER. LEVER	Sr/Nr 002140 and before/CS-3050
8 +	123122-06530	1	SPRING, METER. LEVER	Sr/Nr 007778 and before/CS-3400
8 +	123122-06530	1	SPRING, METER. LEVER	Sr/Nr 002980 and before/CS-3450
8 +	123122-03930	1	SPRING, METER. LEVER	Sr/Nr 009026 and after/CS-3000
8 +	123122-03930	1	SPRING, METER. LEVER	Sr/Nr 002141 and after/CS-3050
8 +	123122-03930	1	SPRING, METER. LEVER	Sr/Nr 007779 and after/CS-3400
8 +	123122-03930	1	SPRING, METER. LEVER	Sr/Nr 002981 and after/CS-3450
9 +	123137-04260	1	VALVE, INLET NEEDLE	
10 +	123146-10631	1	PLUG, WELCH	
11 +	123114-03930	1	SCREW	
14 +	123119-22130	1	SPRING, NEEDLE	
15 +	123120-39530	1	NEEDLE, HIGH SPEED	
16 +	123118-24430	1	NEEDLE, IDLE	
17 +	123121-22130	1	SPRING, NEEDLE	
18 +	123117-37330	1	SHAFT, THROTTLE	Sr/Nr 009025 and before/CS-3000
18 +	123117-37330	1	SHAFT, THROTTLE	Sr/Nr 002140 and before/CS-3050
18 +	123117-37330	1	SHAFT, THROTTLE	Sr/Nr 007778 and before/CS-3400

Bild	Artikelnummer	Anzahl	Beschreibung	Anmerkung
18 +	123117-37330	1	SHAFT, THROTTLE	Sr/Nr 002980 and before/CS-3450
18 +	123117-39630	1	SHAFT, THROTTLE	Sr/Nr 009026 and after/CS-3000
18 +	123117-39630	1	SHAFT, THROTTLE	Sr/Nr 002141 and after/CS-3050
18 +	123117-39630	1	SHAFT, THROTTLE	Sr/Nr 007779 and after/CS-3400
18 +	123117-39630	1	SHAFT, THROTTLE	Sr/Nr 002981 and after/CS-3450
19 +	123113-47530	1	SPRING, THR. RTN.	
20 +	123126-10631	1	SCREEN, INLET	
21 +	123116-05230	1	VALVE, THROTTLE	
22 +	123127-15030	1	RING	
23 +	123150-15030	1	LEVER, THROTTLE	Sr/Nr 012255 and before/CS-3000
23 +	123150-39430	1	LEVER, THROTTLE	Sr/Nr 002140 and before/CS-3050
23 +	123150-15030	1	LEVER, THROTTLE	Sr/Nr 008278 and before/CS-3400
23 +	123150-39430	1	LEVER, THROTTLE	Sr/Nr 002980 and before/CS-3450
23 +	123150-39230	1	LEVER, THROTTLE	Sr/Nr 012256 and after/CS-3000
23 +	123150-39230	1	LEVER, THROTTLE	Sr/Nr 002141 and after/CS-3050
23 +	123150-39230	1	LEVER, THROTTLE	Sr/Nr 008279 and after/CS-3400
23 +	123150-39230	1	LEVER, THROTTLE	Sr/Nr 002981 and after/CS-3450
27 +	123112-15030	1	DIAPHRAGM, FUEL PUMP	
28 +	123125-15030	1	GASKET, FUEL PUMP	Sr/Nr 009025 and before/CS-3000
28 +	123125-15030	1	GASKET, FUEL PUMP	Sr/Nr 002140 and before/CS-3050
28 +	123125-15030	1	GASKET, FUEL PUMP	Sr/Nr 007778 and before/CS-3400
28 +	123125-15030	1	GASKET, FUEL PUMP	Sr/Nr 002980 and before/CS-3450
28 +	123125-39630	1	GASKET, FUEL PUMP	Sr/Nr 009026 and after/CS-3000
28 +	123125-39630	1	GASKET, FUEL PUMP	Sr/Nr 002141 and after/CS-3050
28 +	123125-39630	1	GASKET, FUEL PUMP	Sr/Nr 007779 and after/CS-3400
28 +	123125-39630	1	GASKET, FUEL PUMP	Sr/Nr 002981 and after/CS-3450
29 +	123124-09320	1	COVER, FUEL PUMP	
30 +	123110-03930	1	SCREW, PUMP COVER	
31 +	123133-11130	1	SPRING, IDLE ADJUST	
32 +	123134-19730	1	SCREW, IDLE ADJUST	
33 +	123114-38830	1	SCREW	
34 +	123185-39130	1	PISTON ASSY	
35 +	123186-34330	1	SPRING, START VALVE	



Ersatzteilliste CS-3000, CS-3050, CS-3400, CS-3450

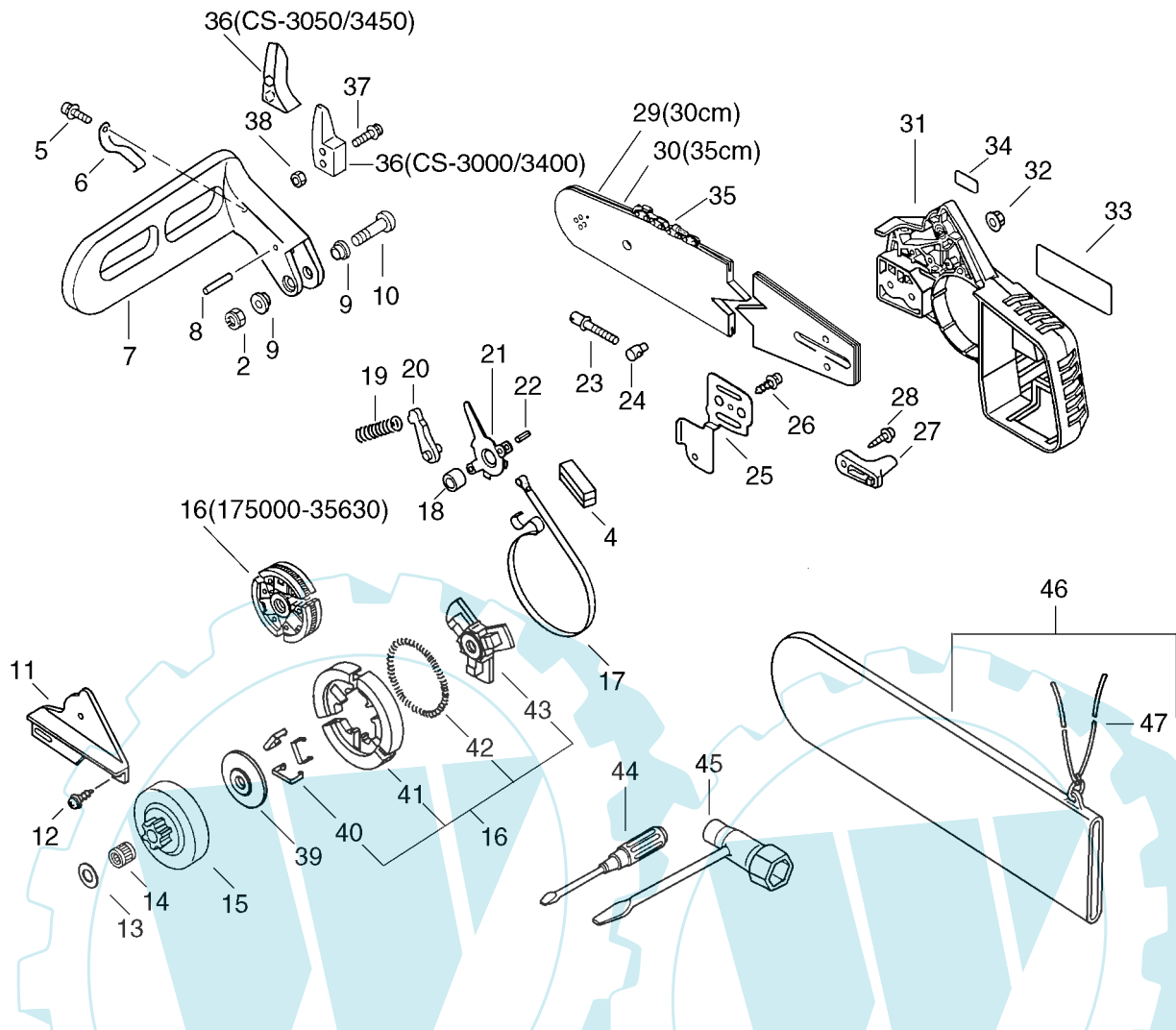


Bild	Artikelnummer	Anzahl	Beschreibung	Anmerkung
2	900560-00005	1	NUT, LOCK	
4	433312-32630	1	COVER, SEAL	
5	900253-04010	1	SCREW 4*10	
6	433114-39130	1	SPRING	
7	433111-39630	1	LEVER, BRAKE	Sus. by 433111-39631
7	433111-39631	1	LEVER, BRAKE	CS-3000/3400
7	433147-39530	1	LEVER, BRAKE	Sus. by 433147-39531
7	433147-39531	1	LEVER, BRAKE	CS-3050/3450
8	900330-30240	1	PIN 3*24	
8	900330-40238	1	ROLLER 4*23.8	
9	433167-39130	2	SPACER	
10	900209-05030	1	SCREW, 5*30	Sus. by 91318-05032
10	91318-05032	1	SCREW, 5*32	
11	433310-39130	1	COVER, BRAKE	
12	900253-04010	3	SCREW 4*10	Sus. by 900253-04012
12	900253-04012	3	SCREW 4*12	
13	175014-39130	1	WASHER, CLUTCH	
14	175012-35630	1	BEARING, NEEDLE	

Bild	Artikelnummer	Anzahl	Beschreibung	Anmerkung
15	175005-39131	1	DRUM, CLUTCH 3/8	Sus. by 175005-39132
15	175005-39132	1	DRUM, CLUTCH	
16	175000-35630	1	CLUTCH ASSY	Sr/Nr 078532 and before/CS-3000
16	175000-35630	1	CLUTCH ASSY	Sr/Nr 012020 and before/CS-3050
16	175000-35630	1	CLUTCH ASSY	Sr/Nr 032943 and before/CS-3400
16	175000-35630	1	CLUTCH ASSY	Sr/Nr 015070 and before/CS-3450
16	A056-000010	1	CLUTCH	Sr/Nr 078533 and after/CS-3000
16	A056-000010	1	CLUTCH	Sr/Nr 012021 and after/CS-3050
16	A056-000010	1	CLUTCH	Sr/Nr 032944 and after/CS-3400
16	A056-000010	1	CLUTCH	Sr/Nr 015071 and after/CS-3450
40 +	175022-59530	3	SPRING, FLAT	Sr/Nr 078533 and after/CS-3000
40 +	175022-59530	3	SPRING, FLAT	Sr/Nr 012021 and after/CS-3050
40 +	175022-59530	3	SPRING, FLAT	Sr/Nr 032944 and after/CS-3400
40 +	175022-59530	3	SPRING, FLAT	Sr/Nr 015071 and after/CS-3450
41 +	P021-000270	1	CLUTCH SHOE SET	Sr/Nr 078533 and after/CS-3000
41 +	P021-000270	1	CLUTCH SHOE SET	Sr/Nr 012021 and after/CS-3050
41 +	P021-000270	1	CLUTCH SHOE SET	Sr/Nr 032944 and after/CS-3400
41 +	P021-000270	1	CLUTCH SHOE SET	Sr/Nr 015071 and after/CS-3450
42 +	175018-39430	1	SPRING, CLUTCH	Sr/Nr 078533 and after/CS-3000



Ersatzteilliste CS-3000, CS-3050, CS-3400, CS-3450

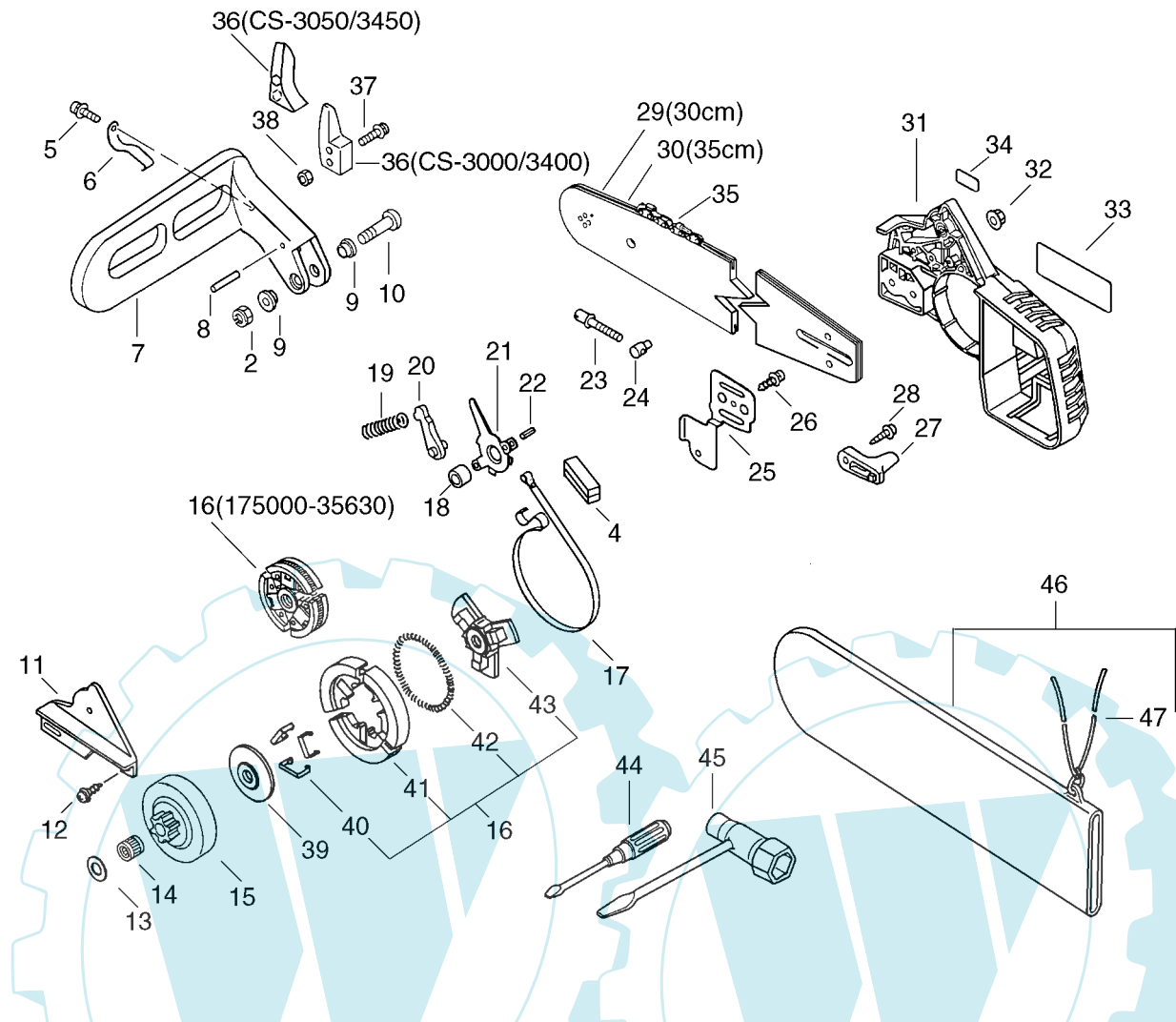


Bild	Artikelnummer	Anzahl	Beschreibung	Anmerkung
42 +	175018-39430	1	SPRING, CLUTCH	Sr/Nr 012021 and after/CS-3050
42 +	175018-39430	1	SPRING, CLUTCH	Sr/Nr 032944 and after/CS-3400
42 +	175018-39430	1	SPRING, CLUTCH	Sr/Nr 015071 and after/CS-3450
43 +	A552-000000	1	HUB, CLUTCH	Sr/Nr 078533 and after/CS-3000
43 +	A552-000000	1	HUB, CLUTCH	Sr/Nr 012021 and after/CS-3050
43 +	A552-000000	1	HUB, CLUTCH	Sr/Nr 032944 and after/CS-3400
43 +	A552-000000	1	HUB, CLUTCH	Sr/Nr 015071 and after/CS-3450
17	433123-39130	1	BAND, BRAKE	
18	433116-35430	1	SPACER 8	
19	433122-35430	1	SPRING, BRAKE	
20	433209-35430	1	STOPPER, BRAKE	
21	433208-35431	1	LEVER, BRAKE	
22	900330-40088	1	ROLLER 4*8.8	
23	433016-39131	1	BOLT	
24	433014-03931	1	TENSIONER	
25	433012-39131	1	PLATE, GUIDE	
26	900253-04010	1	SCREW 4*10	
27	433026-35430	1	CATCHER, CHAIN	
28	900253-05020	1	SCREW 5*20	
29	430210-36930	1	BAR, GUIDE 30RC50-3/8	CS-3000/3400/3450

Bild	Artikelnummer	Anzahl	Beschreibung	Anmerkung
30	430219-38730	1	BAR, GUIDE 35RC50-3/8	CS-3050/3450
31	433005-39133	1	GUARD, SPROCKET	
32	433019-03933	2	NUT, FLANGE 6	
33	890151-39130	1	LABEL, MODEL	CS-3000
33	890151-39230	1	LABEL, MODEL	CS-3050
33	890151-39430	1	LABEL, MODEL	CS-3400
33	890151-39530	1	LABEL, MODEL	CS-3450
34	890316-39130	1	LABEL, CAUTION	
35	431010-39230	1	CHAIN, SAW 91VG-47E	CS-3000/3400
35	431019-39230	1	CHAIN, SAW 91VG-53E	CS-3050
36	433171-39630	1	WEIGHT, BRAKE	CS-3000/3400
36	433171-39130	1	WEIGHT, BRAKE	CS-3050/3450
37	900238-04020	2	SCREW 4*20	CS-3000/3400
37	900238-04022	2	SCREW 4*22	CS-3050/3450
38	900500-00004	2	NUT 4	
39	175019-39430	1	PLATE, CLUTCH	
44	895812-03930	1	DRIVER, SCREW 50	
45	895410-03930	1	WRENCH, W/S. DRIVER	
46	898513-14531	1	SCABBARD, GUIDE BAR	
47 +	898568-14530	1	ROPE	

Ersatzteilliste CS-3000, CS-3050, CS-3400, CS-3450

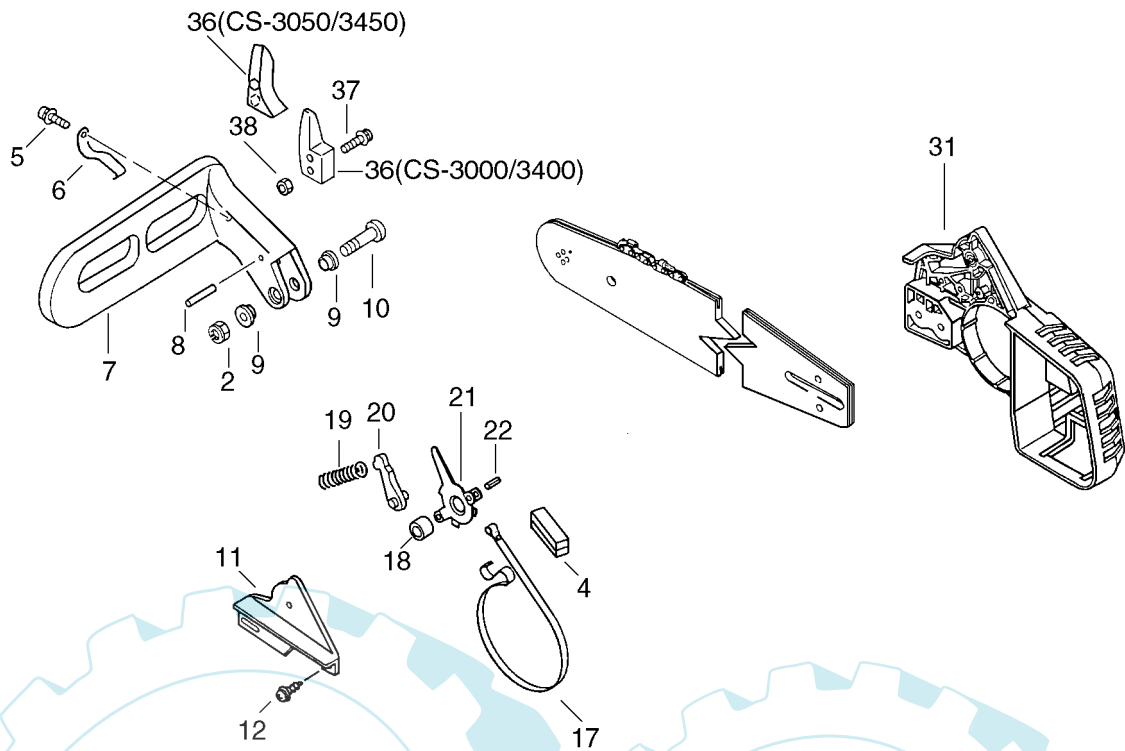


Bild		Artikelnummer	Anzahl	Beschreibung	Anmerkung
		433100-39630	1	BRAKE ASSY, CHAIN	CS-3000/3400
		433100-39530	1	BRAKE ASSY, CHAIN	CS-3050/3450
2	+	900560-00005	1	NUT, LOCK	
4	+	433312-32630	1	COVER, SEAL	
5	+	900253-04010	1	SCREW 4*10	
6	+	433114-39130	1	SPRING	
7	+	433111-39631	1	LEVER, BRAKE	CS-3000/3400
7	+	433147-39531	1	LEVER, BRAKE	CS-3050/3450
8	+	900330-40238	1	ROLLER 4*23.8	
9	+	433167-39130	2	SPACER	
10	+	900209-05030	1	SCREW, 5*30	Sus. by 91318-05032
10	+	91318-05032	1	SCREW, 5*32	
11	+	433310-39130	1	COVER, BRAKE	
12	+	900253-04010	3	SCREW 4*10	Sus. by 900253-04012
12	+	900253-04012	3	SCREW 4*12	
17	+	433123-39130	1	BAND, BRAKE	
18	+	433116-35430	1	SPACER 8	
19	+	433122-35430	1	SPRING, BRAKE	
20	+	433209-35430	1	STOPPER, BRAKE	
21	+	433208-35431	1	LEVER, BRAKE	
22	+	900330-40088	1	ROLLER 4*8.8	
31	+	433005-39133	1	GUARD, SPROCKET	
36	+	433171-39630	1	WEIGHT, BRAKE	CS-3000/3400
36	+	433171-39130	1	WEIGHT, BRAKE	CS-3050/3450
37	+	900238-04020	2	SCREW 4*20	CS-3000/3400
37	+	900238-04022	2	SCREW 4*22	CS-3050/3450
38	+	900500-00004	2	NUT 4	

**ECHO**®

**Motorgeräte**

*die geh'n ran*

