

Stand 01.02.2002

# ERSATZTEILLISTE

## ECHO Motorsäge CS-2600

ECHO-Motorgeräte  
Vertrieb Deutschland GmbH  
Otto-Schott-Str. 7

72555 Metzingen

Telefon 07123-1091  
Telefax 07123-2589  
<http://www.echo-shop.de>  
email: [info@echo-shop.de](mailto:info@echo-shop.de)

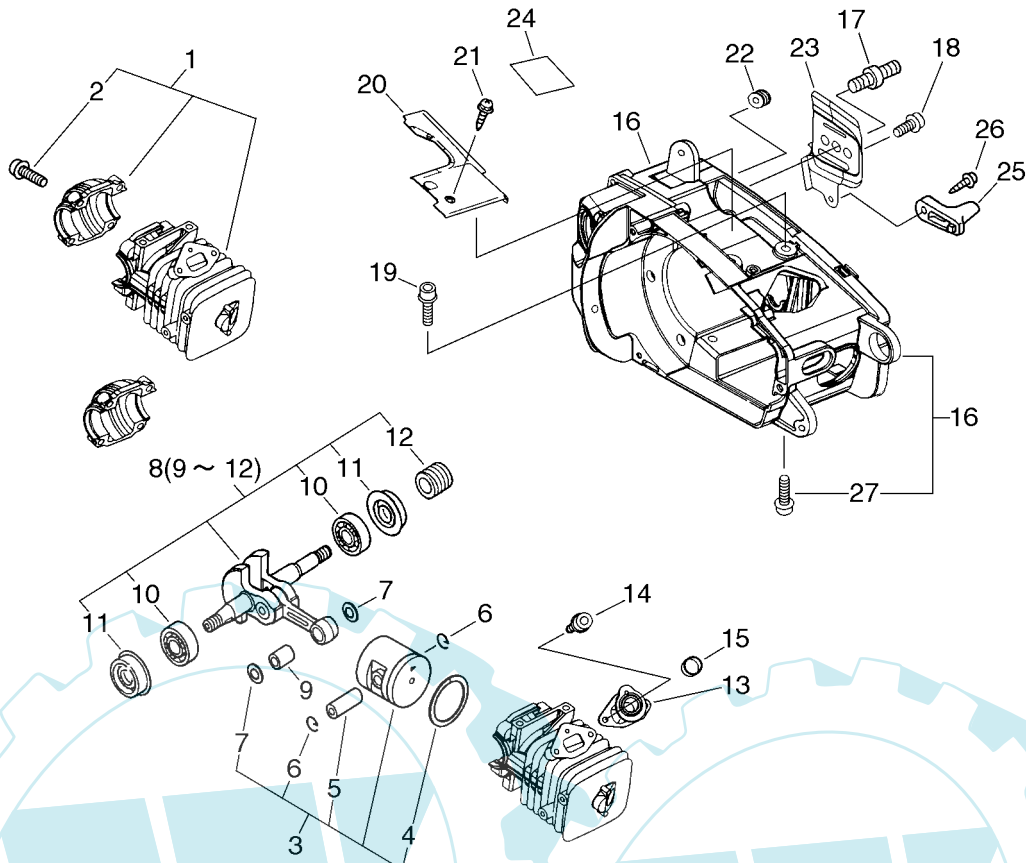


Bild	Artikelnummer	Anzahl	Beschreibung	Anmerkung
1	P021-001890	1	CRANKCASE SET	Sus. by P021-001891
1	P021-001891	1	CRANKCASE SET	
2	+ 900106-05020	4	BOLT, H.S. 5*20	Sus. by 900162-05022
2	+ 900162-05022	4	BOLT, H.S. 5*22	
3	P021-001900	1	PISTON KIT	
4	+ 100011-05731	1	RING, PISTON	
5	+ 100013-22330	1	PIN, PISTON	
6	+ 100015-04630	2	CIRCLIP, PISTON PIN	
7	+ 100014-11520	2	SPACER, PISTON PIN	
8	P021-001920	1	CRANKSHAFT ASY	
9	+ V553-000010	1	BEARING, NEEDLE 8	
10	+ 900800-36001	2	BEARING, BALL 6001	
11	+ V505-000000	2	SEAL, OIL 12	
12	+ V652-000010	1	GEAR, WORM	
13	A202-000000	1	BELLOWS, INTAKE	
14	900162-04012	2	BOLT, H.S. 4*12	
15	V358-000020	1	COLLAR, 14	
16	A190-000050	1	COVER, ENGINE	Sus. by P021-003430
16	A190-000051	1	COVER, ENGINE	Sus. by P021-003430
16	A190-000052	1	COVER, ENGINE	Sus. by P021-003430
16	P021-003430	1	COVER, ENGINE	
27	+ 900106-05020	2	BOLT, H.S. 5*20	
17	V225-000030	1	BOLT, STUD 8	
18	V202-000010	2	BOLT, 4	
19	900106-05016	4	BOLT, H.S. 5*16	Sus. by 900106-05016 C
19	900106-05016	2	BOLT, H.S. 5*16	
20	A127-000020	1	COVER, DUST	
21	900253-04012	2	SCREW	
22	163911-30130	1	PLUG	
23	C305-000020	1	PLATE, SPROCKET GUARD	
24	X505-000370	1	LABEL, CAUTION	
25	433026-35430	1	CATCHER, CHAIN	
26	900253-05020	1	SCREW 5*20	

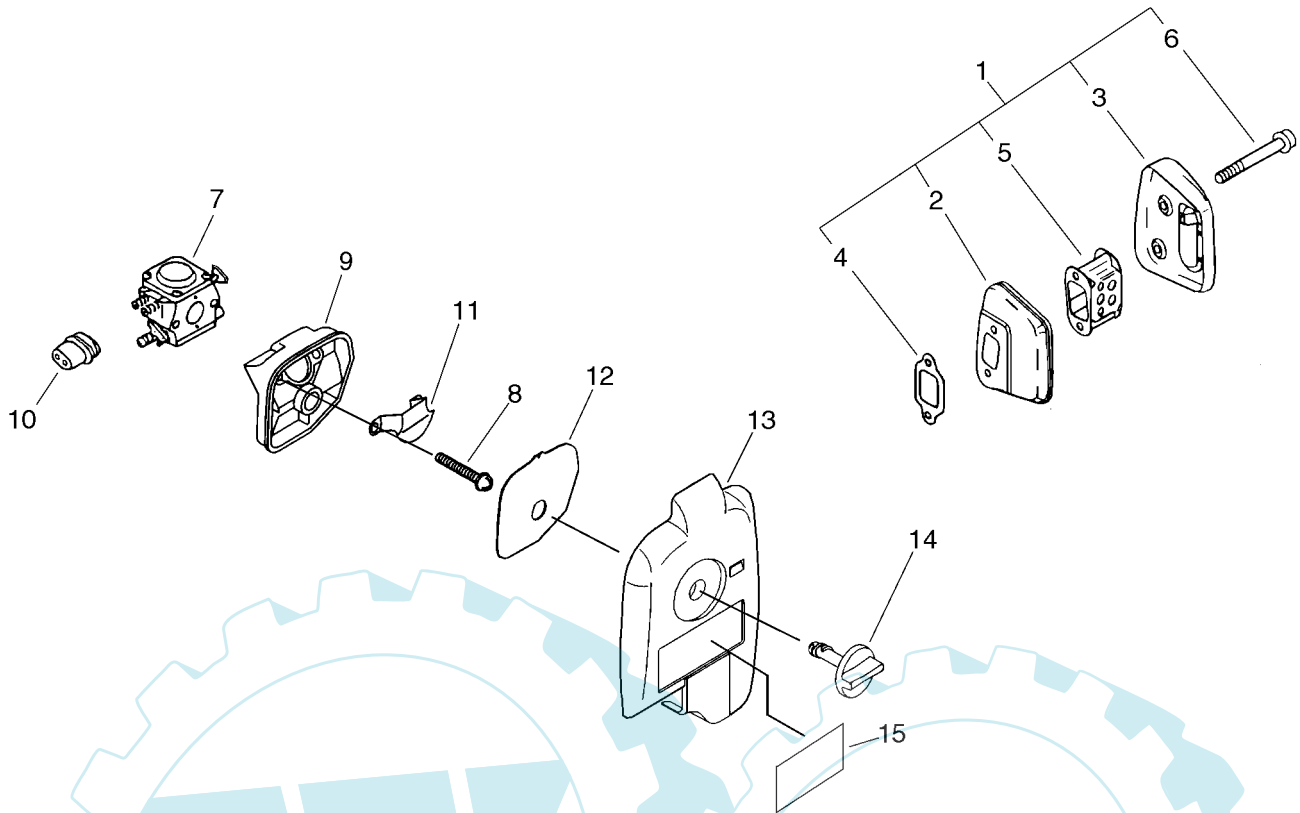


Bild		Artikelnummer	Anzahl	Beschreibung	Anmerkung
1		P021-001930	1	MUFFLER ASY	
2	+	A300-000130	1	MUFFLER,EXHAUST	
3	+	A303-000000	1	LID,MUFFLER	
4	+	145510-13931	1	GASKET, MUFFLER	
5	+	A301-000000	1	PLATE,MUFFLER	
6	+	91107-05040	2	BOLT HSH FLANGE	
7		A021-000210	1	CARBURETOR,DIAPHRAGM	Sus. by A021-000211
7		A021-000211	1	CARBURETOR,DIAPHRAGM	
8		900238-05050	2	SCREW 5*50	
9		A225-000020	1	CASE,CLEANER	
10		129010-33330	1	GROMMET	
11		A244-000000	1	PLATE,PREVENT	
12		A226-000050	1	ELEMENT,AIR FILTER	
13		A232-000060	1	LID,CLEANER	
14		A235-000040	1	KNOB,CLEANER LID	
15		X503-001520	1	LABEL,MODEL	

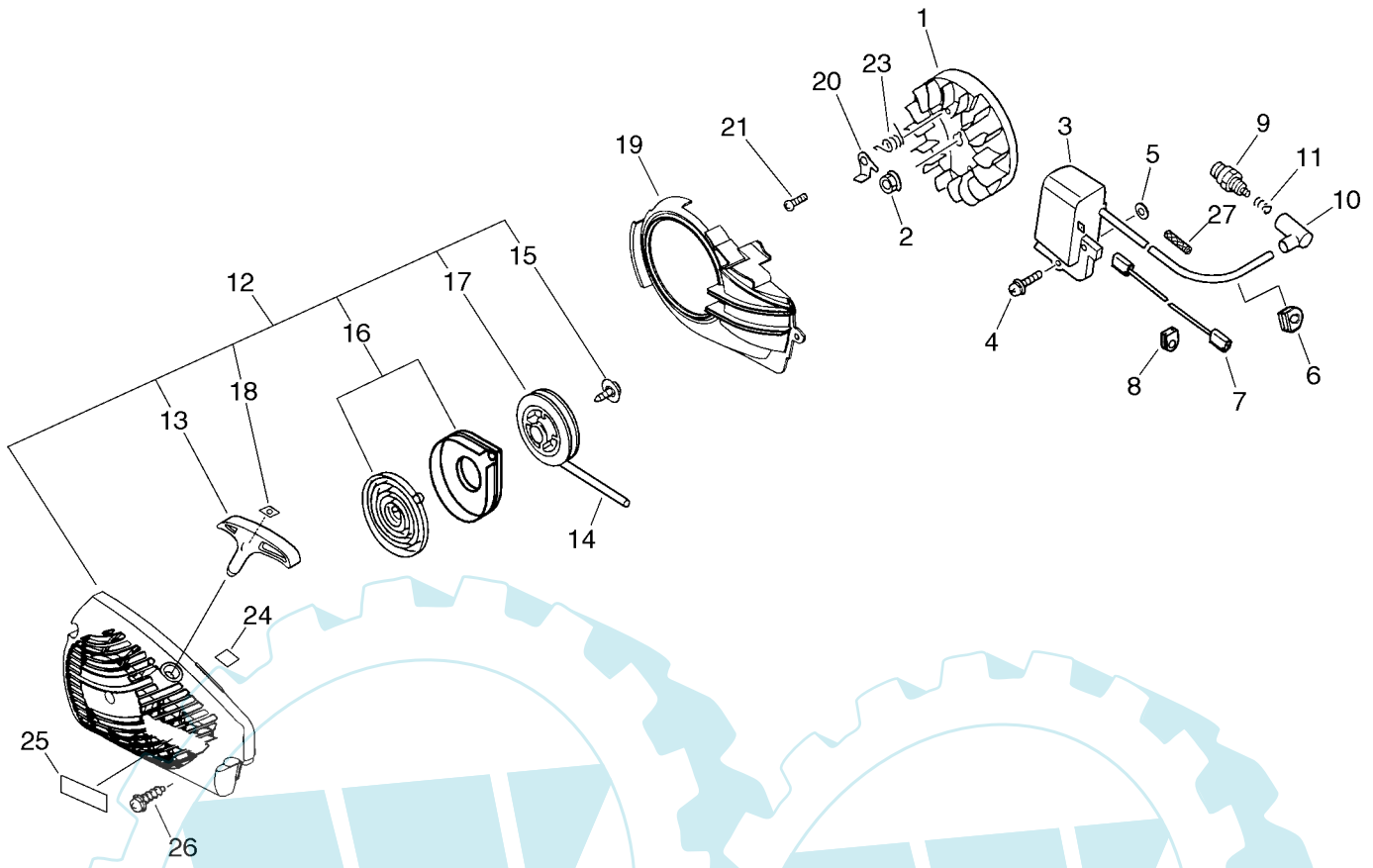


Bild	Artikelnummer	Anzahl	Beschreibung	Anmerkung
1	A409-000040	1	ROTOR,MAGNETO	
2	900515-00008	1	NUT, FLANGE 8	
3	A411-000040	1	COIL,IGNITION	
4	900238-05022	2	SCREW 5*22	
5	150117-16430	2	SPACER	
6	156110-04920	1	BUSHING	
7	V485-000140	1	LEAD	
8	156114-07320	1	GROMMET	
9	159010-10230	1	PLUG, SPARK (BPMR-7A	
10	159012-01620	1	CAP, SPARK PLUG	
11	159011-03432	1	COIL, SPARK PLUG CAP	
12	A051-000030	1	STARTER,RECOIL	
13	+ P022-001320	1	GRIP, STARTER	
14	+ 177226-60930	1	ROPE, STARTER	
15	+ 177236-44330	1	SCREW	
16	+ P022-001330	1	SPRING KIT, REWIND	
17	+ 177215-60930	1	DRUM, STARTER	
18	+ P022-001350	1	STOPPER, ROPE	
19	A172-000110	1	COVER,FAN	
20	A514-000000	2	PAWL	
21	900216-05016	2	SCREW, 5*16	
23	V452-000030	2	SPRING,TORSION	
24	890631-38230	1	LABEL, CAUTION	
25	X502-000020	1	LABEL,ECHO	
26	900256-04016	3	SCREW 4*16	
27	V475-001900	1	TUBE	

Ersatzteilliste CS-2600

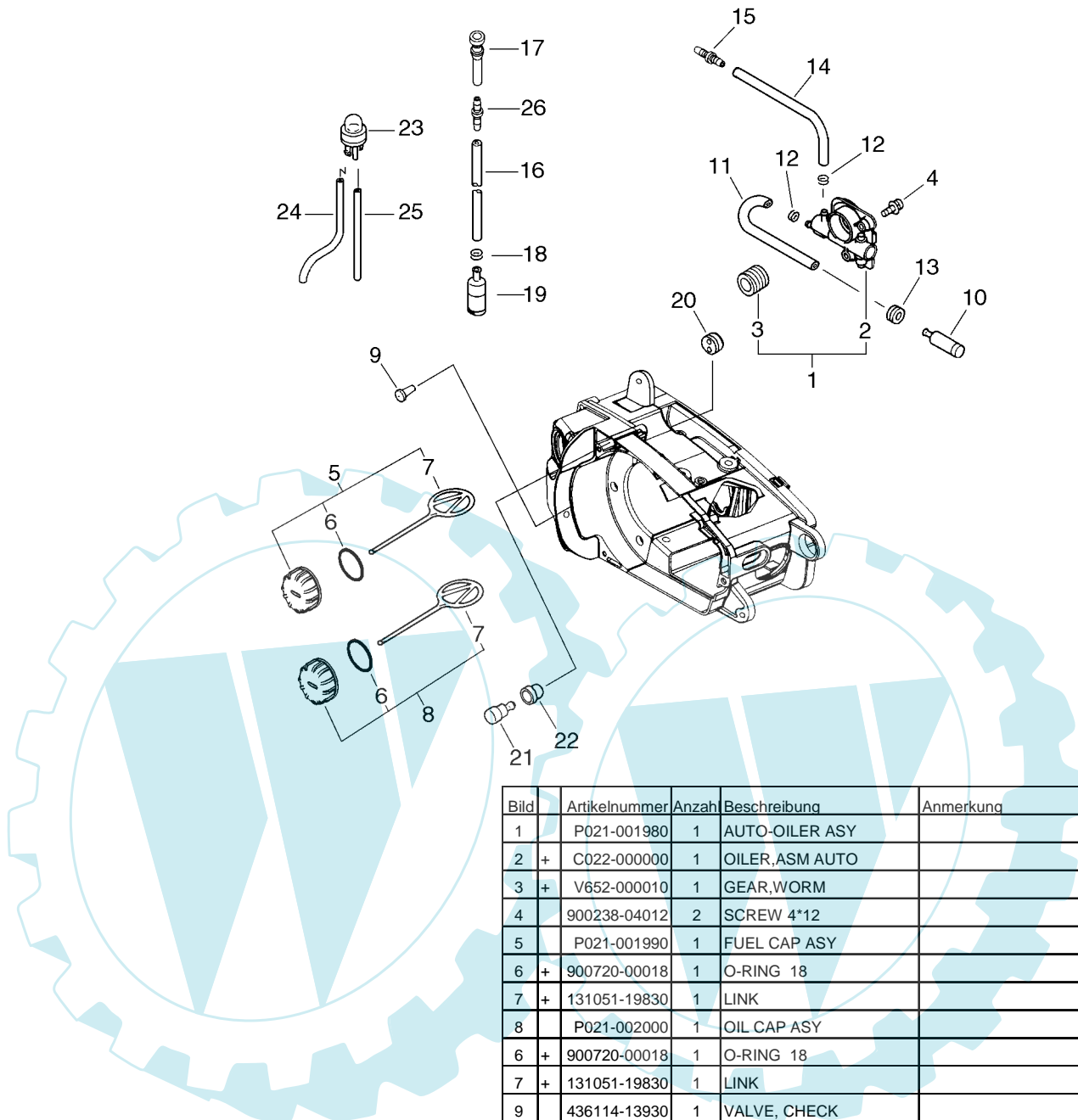


Bild	Artikelnummer	Anzahl	Beschreibung	Anmerkung
1	P021-001980	1	AUTO-OILER ASY	
2 +	C022-000000	1	OILER,ASM AUTO	
3 +	V652-000010	1	GEAR,WORM	
4	900238-04012	2	SCREW 4*12	
5	P021-001990	1	FUEL CAP ASY	
6 +	900720-00018	1	O-RING 18	
7 +	131051-19830	1	LINK	
8	P021-002000	1	OIL CAP ASY	
6 +	900720-00018	1	O-RING 18	
7 +	131051-19830	1	LINK	
9	436114-13930	1	VALVE, CHECK	
10	436205-02832	1	STRAINER, OIL	
11	132010-22130	1	PIPE, FUEL	
12	132013-26630	2	CLIP	
13	132115-01461	1	GROMMET, FUEL	
14	132012-11960	1	PIPE 3* 6* 45	
15	V187-000010	1	NIPPLE	
16	132010-11520	1	PIPE, 3*5*210	
17	V470-000320	1	PIPE	
18	132013-09820	1	CLIP	
19	131205-14930	1	STRAINER,FUEL	
20	132115-44330	1	GROMMET	
21	131300-56430	1	VALVE, CHECK	
22	V137-000000	1	GROMMET,FUEL	
23	123181-39130	1	PUMP, PRINER	
24	132010-00760	1	PIPE, FUEL	
25	132010-04920	1	PIPE, FUEL	Sus. by V471-000310
25	V471-000310	1	PIPE	
26	V186-000020	1	JOINT,PIPE	

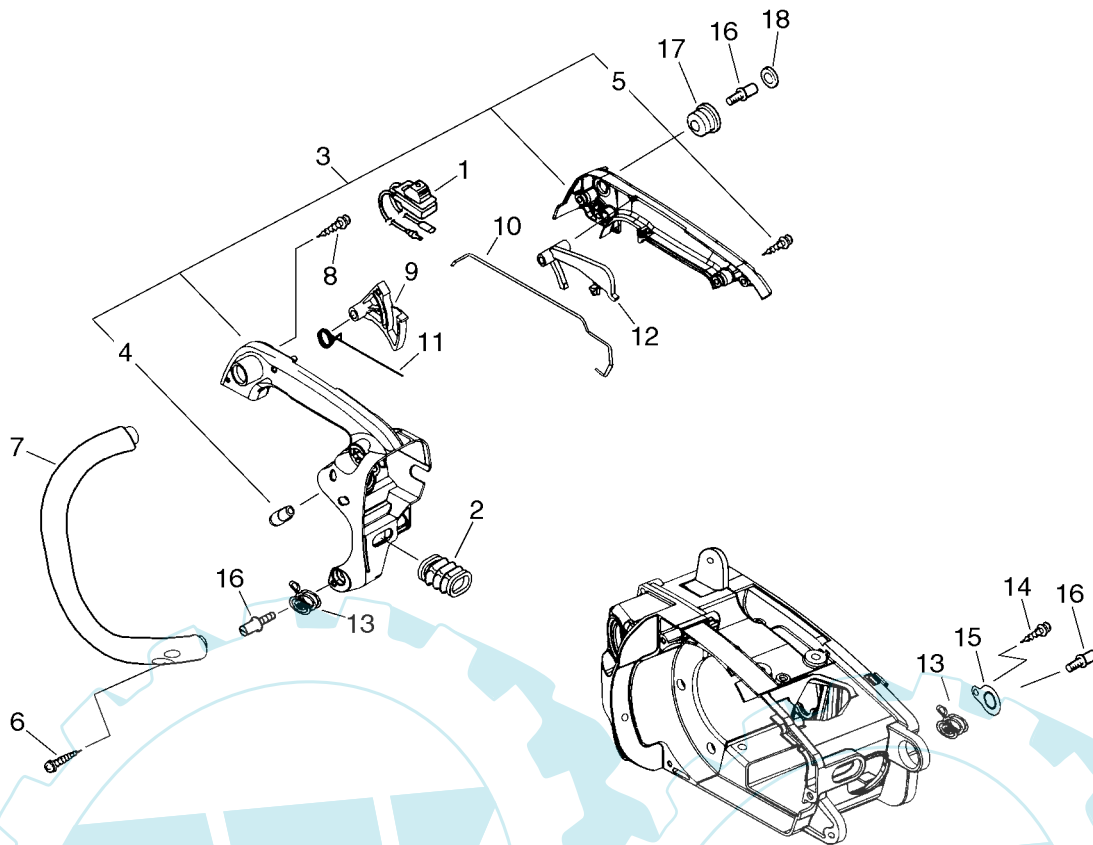
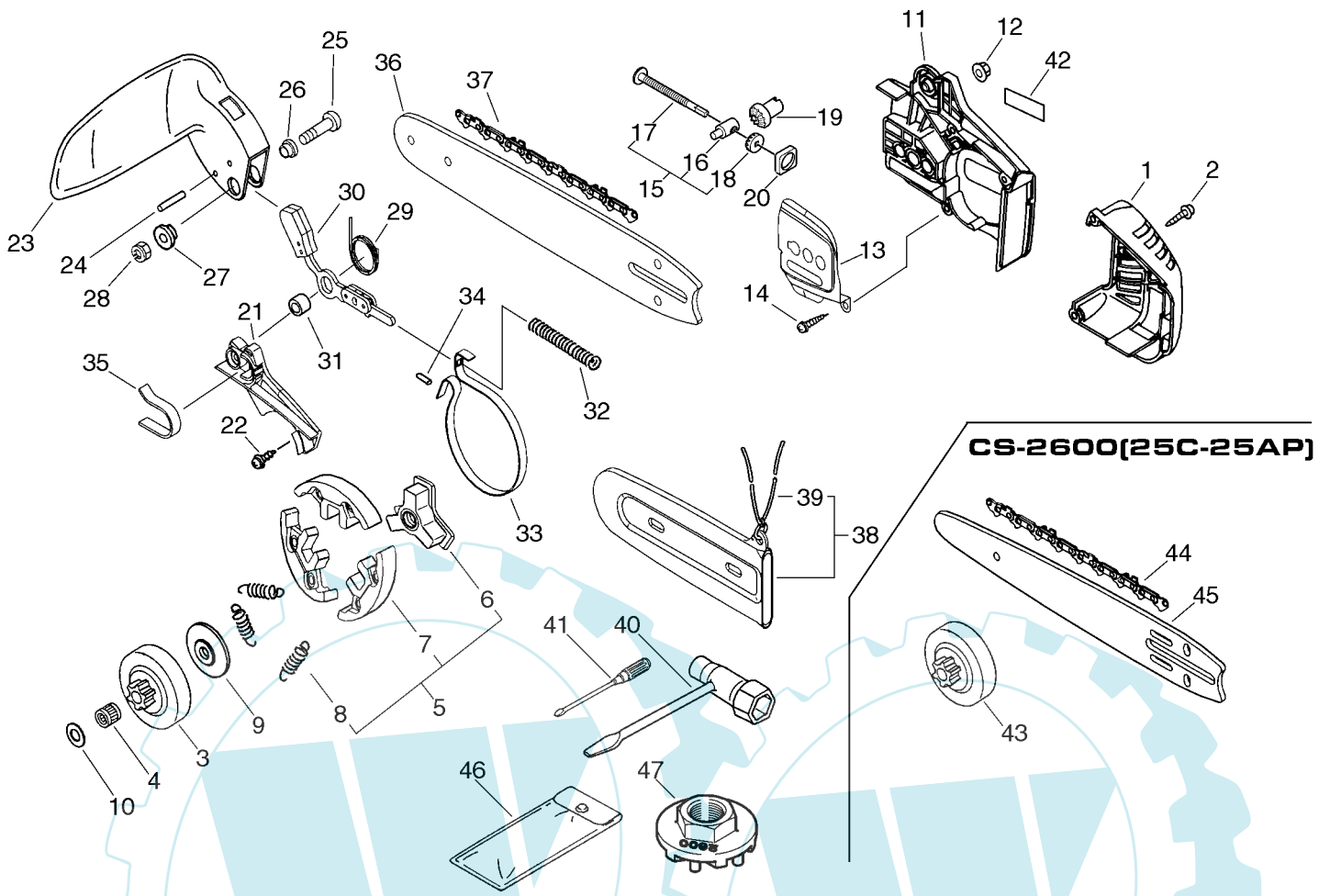


Bild	Artikelnummer	Anzahl	Beschreibung	Anmerkung
1	A440-000210	1	SWITCH,ON OFF	
2	A239-000000	1	PIPE,INTAKE	
3	P021-001960	1	HANDLE SET, REAR	
4	+ 130020-33330	2	NUT	
5	+ 900256-04016	4	SCREW 4*16	
6	900253-04016	2	SCREW 4*16	Sus. by 900256-04016
6	900256-04016	4	SCREW 4*16	
7	C400-000050	1	HANDLE,FRONT	
8	900253-05020	1	SCREW 5*20	
9	C450-000010	1	TRIGGER,THROTTLE	
10	C454-000050	1	ROD,THROTTLE	
11	V452-000010	1	SPRING,TORSION	
12	C460-000000	1	LOCKOUT,THROTTLE	
13	V450-000080	2	SPRING,COMPRESSION	
14	900253-04012	1	SCREW	
15	V150-000420	1	PLATE,EYE	
16	V202-000000	3	BOLT,4	
17	100910-18830	1	CUSHION	
18	100918-15130	1	CAP	

Ersatzteilliste CS-2600



CS-2600(25C-25AP)

Bild	Artikelnummer	Anzahl	Beschreibung	Anmerkung
1	A320-000020	1	COVER,MUFFLER	
2	900253-04016	2	SCREW 4*16	
3	A556-000090	1	DRUM,CLUTCH	Sus. by A556-000091
3	A556-000091	1	DRUM,CLUTCH	3/8
4	175012-35630	1	BEARING, NEEDLE	
5	A056-000030	1	CLUTCH	
6 +	A552-000020	1	HUB,CLUTCH	
7 +	P021-001950	1	CLUTCH SHOE SET	
8 +	V451-000150	3	SPRING,TENSION	
9	A551-000010	1	PLATE,CLUTCH	
10	175014-39130	1	WASHER, CLUTCH	
11	C300-000030	1	GUARD,SPROCKET	Sus. by C300-000032
11	C300-000031	1	GUARD,SPROCKET	Sus. by C300-000032
11	C300-000032	1	GUARD,SPROCKET	
12	433019-12330	1	NUT, FLANGE 8	
13	C305-000030	1	PLATE,SPROCKET GUARD	
14	900253-04010	1	SCREW 4*10	
15	P021-000060	1	TENSIONER,CHAIN ASY	Sus. by P021-000062
15	P021-000061	1	TENSIONER,CHAIN ASY	Sus. by P021-000062
15	P021-000062	1	TENSIONER,CHAIN ASY	
16 +	433014-60930	1	TENSIONER, CHAIN	Sus. by C309-000030
16 +	C309-000030	1	TENSIONER,CHAIN	
17 +	V203-000020	1	BOLT,5	Sus. by V203-000021
17 +	V203-000021	1	BOLT,5	
18 +	V651-000010	1	GEAR,BEVEL	
19	V651-000000	1	GEAR,BEVEL	
20	V355-000030	1	COLLAR,8	

Bild	Artikelnummer	Anzahl	Beschreibung	Anmerkung
21	C345-000020	1	COVER,BRAKE	
22	900253-04012	2	SCREW	
23	C320-000010	1	LEVER,BRAKE	
24	900330-40298	2	PIN 4*29.8	
25	91318-05032	1	SCREW	
26	433167-39130	1	SPACER	
27	V353-000060	1	COLLAR,5	
28	900560-00005	1	NUT, LOCK	
29	V452-000020	1	SPRING,TORSION	
30	C334-000030	1	CONNECTOR,BRAKE	
31	433116-35430	1	SPACER 8	
32	V450-000070	1	SPRING,COMPRESSION	
33	C328-000000	1	BAND,BRAKE	Sus. by C328-000002
33	C328-000001	1	BAND,BRAKE	Sus. by C328-000002
33	C328-000002	1	BAND,BRAKE	
34	93050-30098	1	ROLLER	
35	V453-000010	1	SPRING,FLAT	
36	X121-000000	1	BAR,GUIDE 25	25RC50S-3/8
37	X221-000000	1	CHAIN,SAW	91VG-40E
38	P021-002010	1	CHAIN SCABBARD	
39 +	898568-14530	1	ROPE	
40	895410-02830	1	WRENCH, W/S. DRIVER	
41	895812-03930	1	DRIVER, SCREW 50	
42	X502-000020	1	LABEL,ECHO	
43	A556-000100	1	DRUM,CLUTCH	Sus. by A556-000101
43	A556-000101	1	DRUM,CLUTCH	1/4
44	431610-10030	1	CHAIN, SAW 25AP-60E	25AP-60E
45	X101-000010	1	BAR,GUIDE 25	25C50SL
46	898510-39130	1	BAG, TOOL	
47	X640-000010	1	TOOL,PULLER	

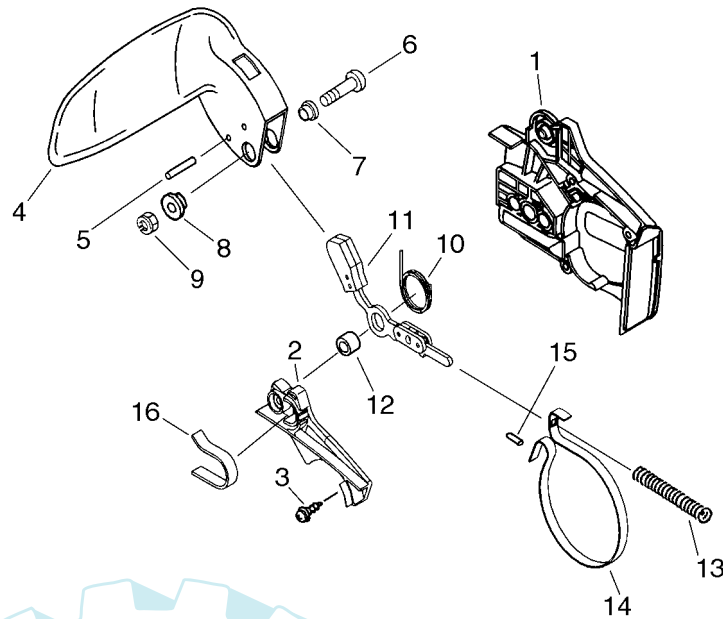


Bild	Artikelnummer	Anzahl	Beschreibung	Anmerkung	
	C032-000040	1	BRAKE,ASM CHAIN	Sus. by C032-000043	
	C032-000041	1	BRAKE,ASM CHAIN	Sus. by C032-000043	
	C032-000042	1	BRAKE,ASM CHAIN	Sus. by C032-000043	
	C032-000043	1	BRAKE,ASM CHAIN		
1	+	C300-000030	1	GUARD,SPROCKET	Sus. by C300-000032
1	+	C300-000031	1	GUARD,SPROCKET	Sus. by C300-000032
1	+	C300-000032	1	GUARD,SPROCKET	
2	+	C345-000020	1	COVER,BRAKE	
3	+	900253-04012	2	SCREW	
4	+	C320-000010	1	LEVER,BRAKE	
5	+	900330-40298	2	PIN 4*29.8	
6	+	91318-05032	1	SCREW	
7	+	433167-39130	1	SPACER	
8	+	V353-000060	1	COLLAR,5	
9	+	900560-00005	1	NUT, LOCK	
10	+	V452-000020	1	SPRING,TORSION	
11	+	C334-000030	1	CONNECTOR,BRAKE	
12	+	433116-35430	1	SPACER 8	
13	+	V450-000070	1	SPRING,COMPRESSION	
14	+	C328-000000	1	BAND,BRAKE	Sus. by C328-000002
14	+	C328-000001	1	BAND,BRAKE	Sus. by C328-000002
14	+	C328-000002	1	BAND,BRAKE	
15	+	93050-30098	1	ROLLER	
16	+	V453-000010	1	SPRING,FLAT	



Ersatzteilliste CS-2600

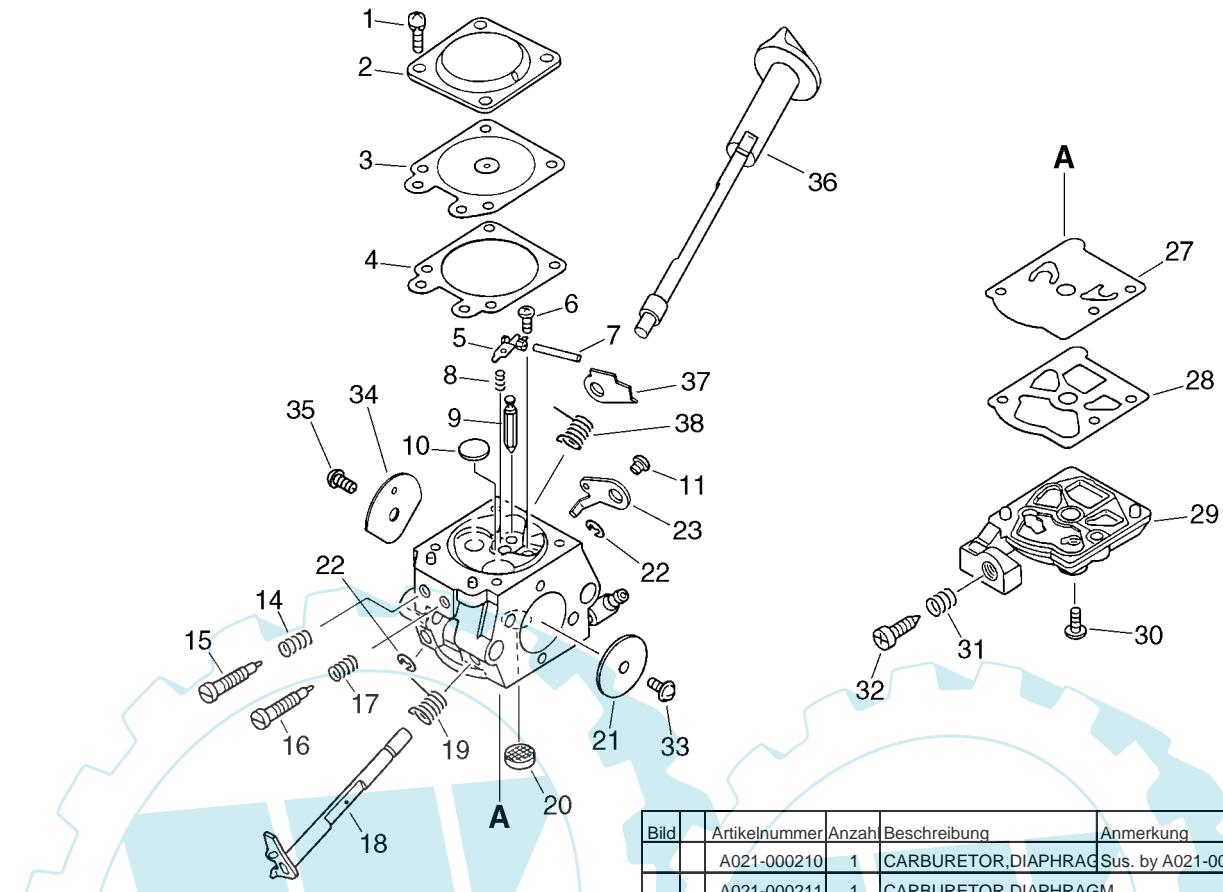
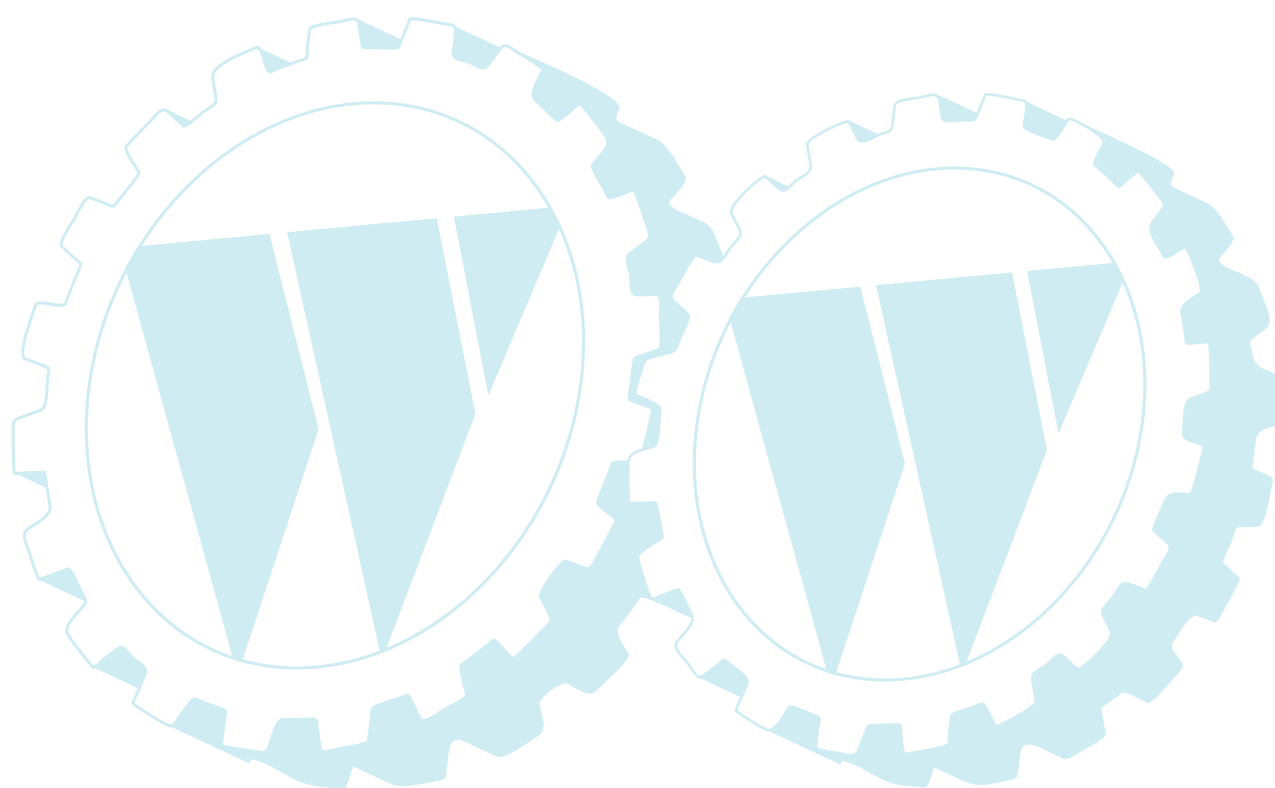
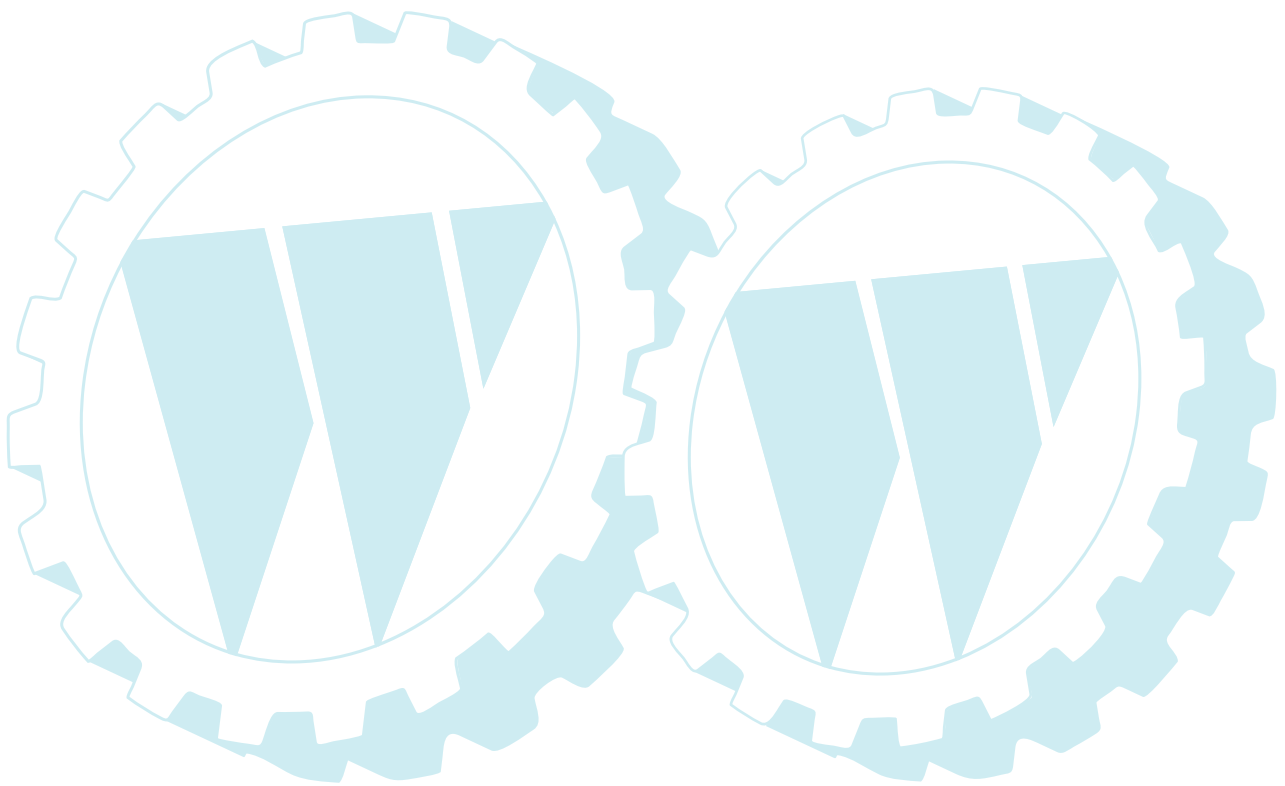


Bild	Artikelnummer	Anzahl	Beschreibung	Anmerkung
	A021-000210	1	CARBURETOR,DIAPHRAGM	Sus. by A021-000211
	A021-000211	1	CARBURETOR,DIAPHRAGM	
1	+ 123130-02960	4	SCREW	
2	+ 123142-03930	1	COVER, M. DIAPHRAGM	
3	+ 123141-03930	1	DIAPHRAGM, METERING	
4	+ 123140-27230	1	GASKET, M. DIAPHRAGM	
5	+ 123123-03930	1	LEVER, METERING	
6	+ 123139-03930	1	SCREW, M. LEVER PIN	
7	+ 123138-03930	1	PIN, METERING LEVER	
8	+ 123122-39830	1	SPRING, METER. LEVER	Sus. by 123122-03660
8	+ 123122-03660	1	SPRING, METER. LEVER	
9	+ 123137-19830	1	VALVE, INLET NEEDLE	
10	+ 123146-10631	1	PLUG, WELCH	
11	+ 123114-03930	1	SCREW	
14	+ 123119-22130	1	SPRING, NEEDLE	
15	+ P003-000390	1	NEEDLE, HIGH SPEED	
16	+ 123118-38330	1	NEEDLE, IDLE	
17	+ 123121-22130	1	SPRING, NEEDLE	
18	+ P003-000370	1	SHAFT, THROTTLE	
19	+ 123113-37530	1	SPRING, THROTTLE RTN	
20	+ 123126-10631	1	SCREEN, INLET	
21	+ 123116-05960	1	VALVE, THROTTLE	
22	+ 123127-15030	2	RING	
23	+ P003-000380	1	THROTTLE, LEVER	
27	+ 123112-15030	1	DIAPHRAGM, FUEL PUMP	
28	+ 123125-15030	1	GASKET, FUEL PUMP	
29	+ 123124-09520	1	COVER, FUEL PUMP	
30	+ 123110-03930	1	SCREW, PUMP COVER	
31	+ 123133-04260	1	SPRING, IDLE ADJUST	
32	+ 123134-04260	1	SCREW, IDLE ADJUST	
33	+ 123114-05260	1	SCREW	
34	+ P003-000410	1	VALVE CHOKE	
35	+ 123114-38830	1	SCREW	
36	+ P003-000400	1	SHAFT-CHOKE(MOLD)	
37	+ P003-000430	1	LEVER-FAST IDLE	
38	+ P003-000420	1	SPRING	





**ECHO**®

**Motorgeräte**

*die geh'n ran*

