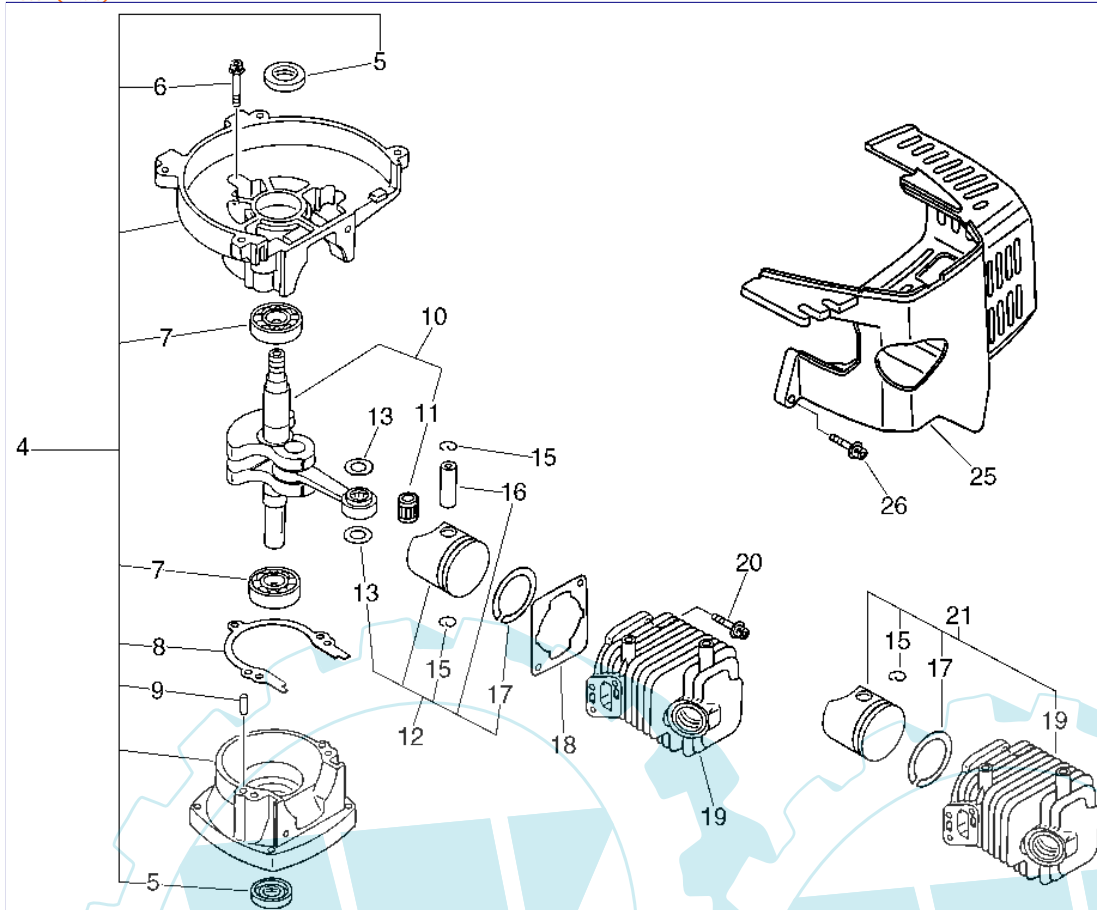


Motor (#4/0)

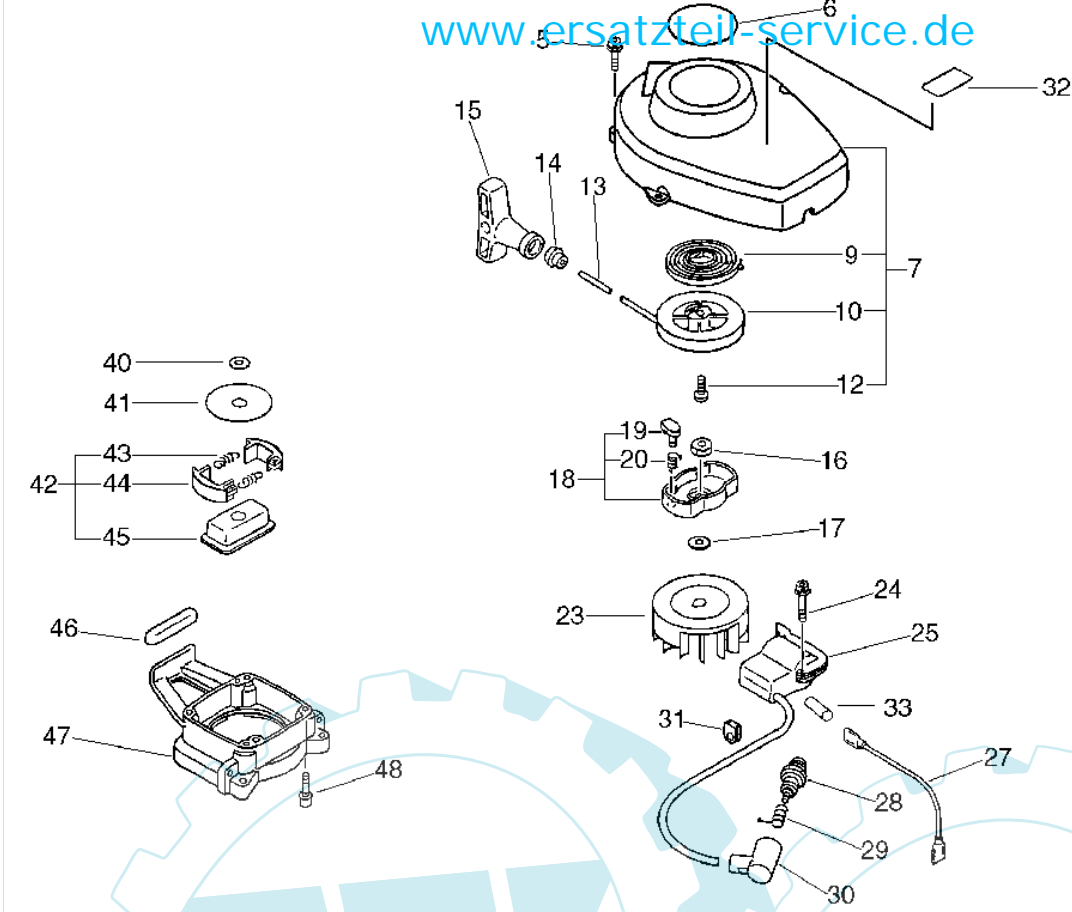


Stückliste:

| Ref. # | Artikelnr. | Artikelname | Menge | Beschreibung |
|--------|-----------------|---|-----------|--------------|
| 04 | 16-100204-52132 | Kurbelgehäuse | 1.0000 St | |
| 05 | 16-100212-42031 | Simmerring | 2.0000 St | |
| 06 | 16-900162-05028 | Schraube | 3.0000 St | |
| 07 | 16-94035-36201 | Kugellager | 2.0000 St | |
| 08 | 16-100242-42030 | Dichtung | 1.0000 St | |
| 09 | 16-100215-03930 | Führungsbolzen PB-500 | 2.0000 St | |
| 10 | 16-100105-08961 | Kurbelwelle HC-2400 | 1.0000 St | |
| 11 | 16-100113-05930 | Nadellager | 1.0000 St | |
| 12 | 16-100000-08963 | Kolben HC-2410/1600 | 1.0000 St | |
| 13 | 16-100014-08960 | Distanzring | 1.0000 St | |
| 15 | 16-100015-04630 | Sicherungsring(Eisen) CS-2600/3500/3501 | 2.0000 St | |
| 16 | 16-100013-11520 | Kolbenbolzen | 1.0000 St | |
| 17 | 16-100011-09560 | Kolbenring | 2.0000 St | |
| 18 | 16-101010-44332 | Fußdichtung (Papier) | 1.0000 St | |
| 19 | 16-101011-09560 | Zylinder ES-2000/SRM-2450, HCA-2500 | 1.0000 St | |
| 20 | 16-900162-05022 | Schraube CS-3500, -3501, SRM-2655, PB-500 | 2.0000 St | |
| 21 | 16-101003-08960 | Zylinder mit Kolben | 1.0000 St | |
| 25 | 16-101514-08960 | Zylinderabdeckung HC-1600, HC-2400 | 1.0000 St | |
| 26 | 16-91107-04020 | Schraube | 2.0000 St | |

19 referenz(en)

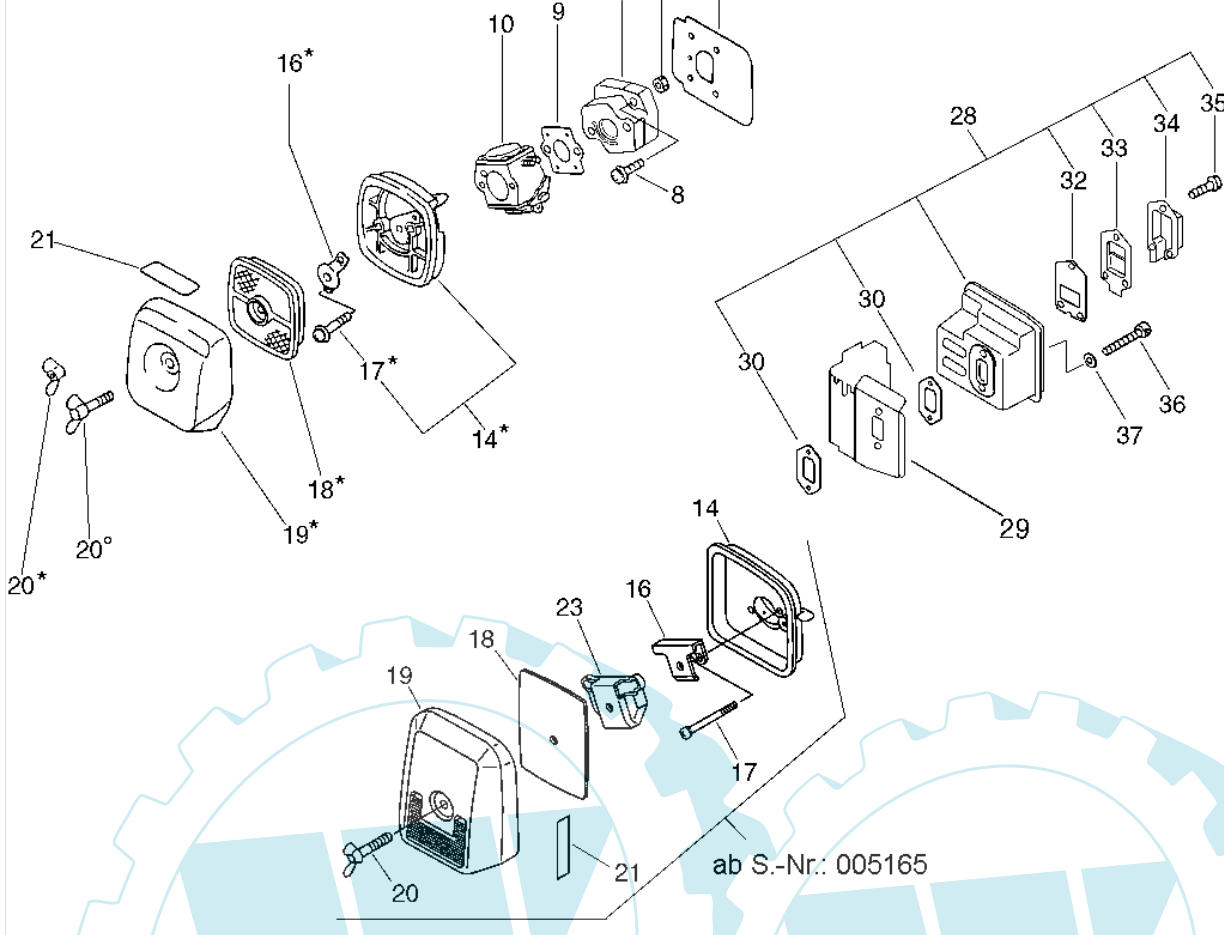
Starter, Zündung, Kupplung (#8/0)



Stückliste:

| Ref. # | Artikelnr. | Artikelname | Menge | Beschreibung |
|--------|-----------------|--|--------|--------------|
| 05 | 16-900162-04016 | Schraube M4x16 | 4.0000 | St |
| 06 | 16-890115-08961 | Aufkleber, Modell | 1.0000 | St |
| 07 | 16-177200-05962 | ZSB, Starter HC-2410 / HC-1600 | 1.0000 | St |
| 09 | 16-177220-42030 | Starterfeder | 1.0000 | St |
| 10 | 16-177215-05960 | Seilscheibe | 1.0000 | St |
| 12 | 16-177236-44330 | Schraube | 1.0000 | St |
| 13 | 16-177226-05960 | Starterseil | 1.0000 | St |
| 14 | 16-177227-42030 | Seilführung | 1.0000 | St |
| 15 | 16-177228-06530 | Startergriff | 1.0000 | St |
| 16 | 16-900512-00008 | Mutter | 1.0000 | St |
| 17 | 16-900600-00008 | Scheibe | 1.0000 | St |
| 18 | 16-177202-07361 | Starterklinke kpl. | 1.0000 | St |
| 19 | 16-177218-44330 | Starterklinke | 1.0000 | St |
| 20 | 16-P022-007980 | Feder / HC-1600 | 1.0000 | St |
| 23 | 16-A409-000100 | Polrad | 1.0000 | St |
| 24 | 16-91107-04020 | Schraube | 2.0000 | St |
| 25 | 16-156601-44732 | Zündmodul | 1.0000 | St |
| 27 | 16-162010-52830 | Leitung | 1.0000 | St |
| 28 | NGK-BPMR7A | Zündkerze entstört | 1.0000 | St |
| 29 | 16-159011-03432 | Kontaktfeder CS-2600/4200/PB-500 | 1.0000 | St |
| 30 | 16-159012-01620 | Zündkerzenkappe | 1.0000 | St |
| 31 | 16-156110-04920 | Büchse | 1.0000 | St |
| 32 | 16-890617-07660 | "Aufkleber ""Achtung"" WP-1000, HC-1500" | 1.0000 | St |
| 33 | 16-V475-001900 | Tülle f. Zündkabel | 1.0000 | St |
| 40 | 16-175014-05360 | Scheibe HC-2400, HCR-1500 | 1.0000 | St |
| 41 | 16-175019-04920 | Kupplungsplatte | 1.0000 | St |
| 42 | 16-175000-02962 | Zsb. Kupplung HC-1600 | 1.0000 | St |
| 43 | 16-175018-05960 | Kupplungsfeder | 2.0000 | St |
| 44 | 16-175009-05131 | Kupplungsbacken | 1.0000 | St |
| 45 | 16-175016-07330 | Nabe | 1.0000 | St |
| 46 | 16-131920-28230 | Gummilager | 1.0000 | St |
| 47 | 16-610223-05960 | Kupplungsgehäuse | 1.0000 | St |
| 48 | 16-900162-04016 | Schraube M4x16 | 4.0000 | St |

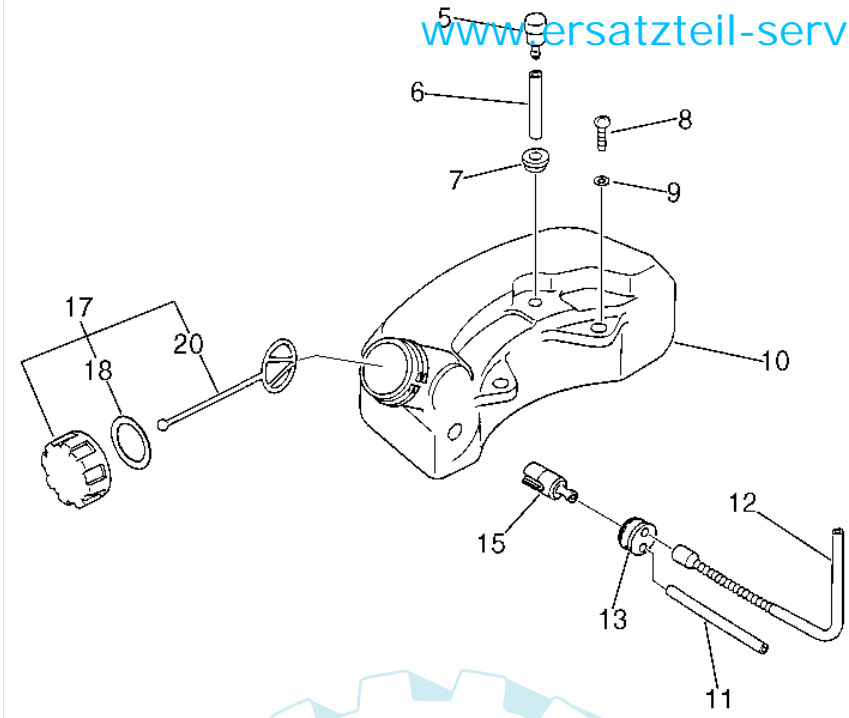
33 referenz(en)



Stückliste:

| Ref. # | Artikelnr. | Artikelname | Menge | Beschreibung |
|--------|-----------------|---------------------------|-----------|--------------|
| 05 | 16-130010-42032 | Dichtung(Papier) | 1.0000 St | |
| 06 | 16-900500-00005 | Mutter | 2.0000 St | |
| 07 | 16-130017-42031 | Zwischenflansch | 1.0000 St | |
| 08 | 16-900242-05020 | Schraube(Eisen) | 2.0000 St | |
| 09 | 16-130016-42031 | Dichtung(Papier) | 1.0000 St | |
| 10 | 16-125200-08963 | Vergaser Zama C1U-K31A | 1.0000 St | |
| 14 | 16-P021-002921 | Luftfiltergehäuse grau | 1.0000 St | |
| 16 | 16-129011-12620 | Halterung | 1.0000 St | |
| 17 | 16-900242-05057 | Schraube | 2.0000 St | |
| 18 | 16-130310-54130 | Luftfilter mit Gummirand | 1.0000 St | |
| 19 | 16-130302-06561 | Luftfilterdeckel HC-1600 | 1.0000 St | |
| 20 | 16-900528-00005 | Flügelmutter | 1.0000 St | |
| 21 | 16-890121-09560 | Aufkleber | 1.0000 St | |
| 23 | 16-129011-09560 | Kappe | 1.0000 St | |
| 28 | 16-145802-08960 | Auspuff, HC-1600, HC-2410 | 1.0000 St | |
| 29 | 16-A320-000251 | Hitzeabweisblech | 1.0000 St | |
| 30 | 16-V104-000160 | Dichtung, Auspuff | 2.0000 St | |
| 32 | 16-145866-42031 | Dichtung | 1.0000 St | |
| 33 | 16-145876-42030 | Auslasstutzen, Auspuff | 1.0000 St | |
| 34 | 16-145863-08960 | Deckel | 1.0000 St | |
| 35 | 16-900242-04010 | Schraube | 3.0000 St | |
| 36 | 16-900105-05055 | Schraube | 2.0000 St | |
| 37 | 16-900600-00005 | Scheibe PB-500 | 2.0000 St | |

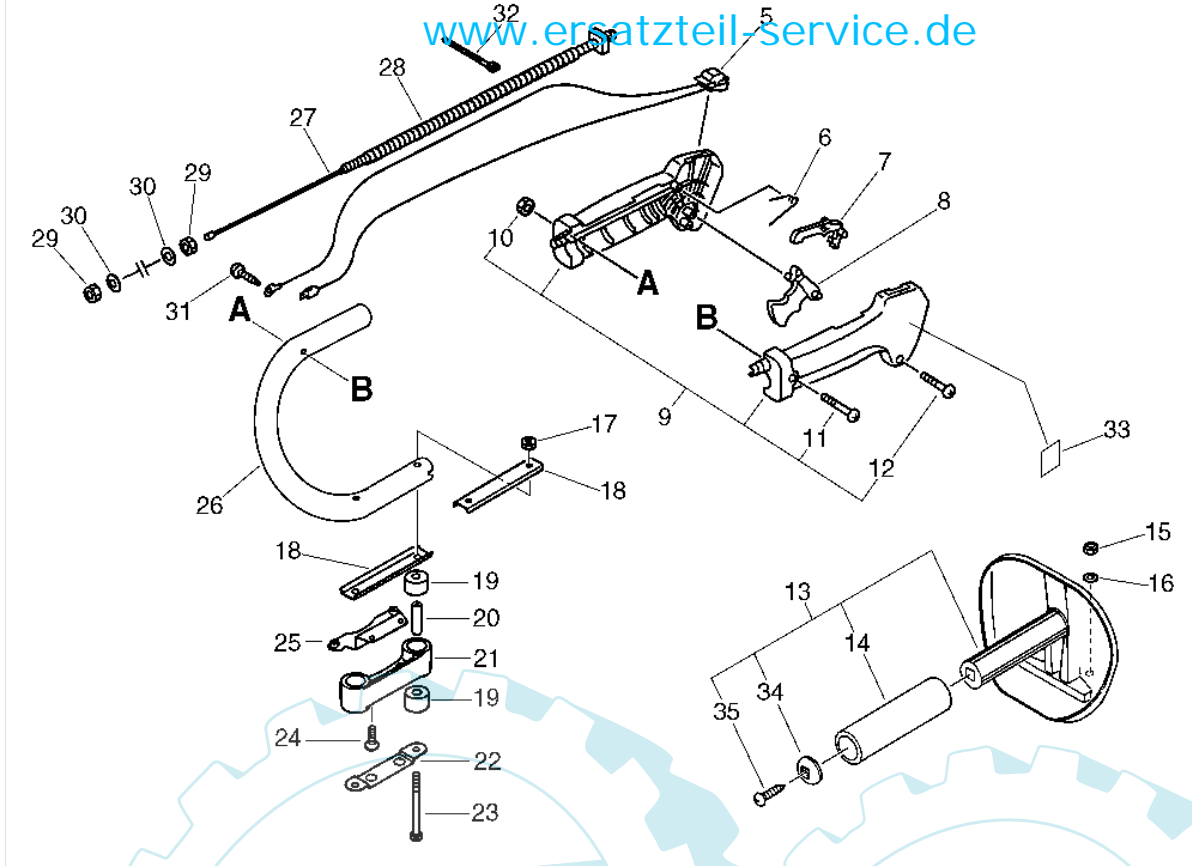
23 referenz(en)



Stückliste:

| Ref. # | Artikelnr. | Artikelname | Menge | Beschreibung |
|--------|-----------------|-------------------------------|--------|--------------|
| 05 | 16-A356-000030 | Ventil Tankbelüftung PAS-2400 | 1.0000 | St |
| 06 | 16-V471-001180 | Leitung, Benzin (Gummi) | 1.0000 | St |
| 07 | 16-132115-01461 | Dichtring (Gummi) CS-2600 | 1.0000 | St |
| 08 | 16-900243-05016 | Schraube 5x16 | 2.0000 | St |
| 09 | 16-900603-00005 | Scheibe(Eisen) CS-2600 | 2.0000 | St |
| 10 | 16-131002-08961 | Tank (Kunstst.) | 1.0000 | St |
| 11 | 16-132010-06460 | Benzinleitung | 1.0000 | St |
| 12 | 16-132010-02160 | Benzinleitung (Gummi) | 1.0000 | St |
| 13 | 16-132115-44330 | Dichtring | 1.0000 | St |
| 15 | 16-131205-07320 | Benzinfilter | 1.0000 | St |
| 17 | 16-131004-08960 | Tankdeckel(Kunstst.) | 1.0000 | St |
| 18 | 16-131016-55830 | Dichtung Tankdeckel | 1.0000 | St |
| 20 | 16-131051-56030 | Sicherung, Tankdeckel | 1.0000 | St |

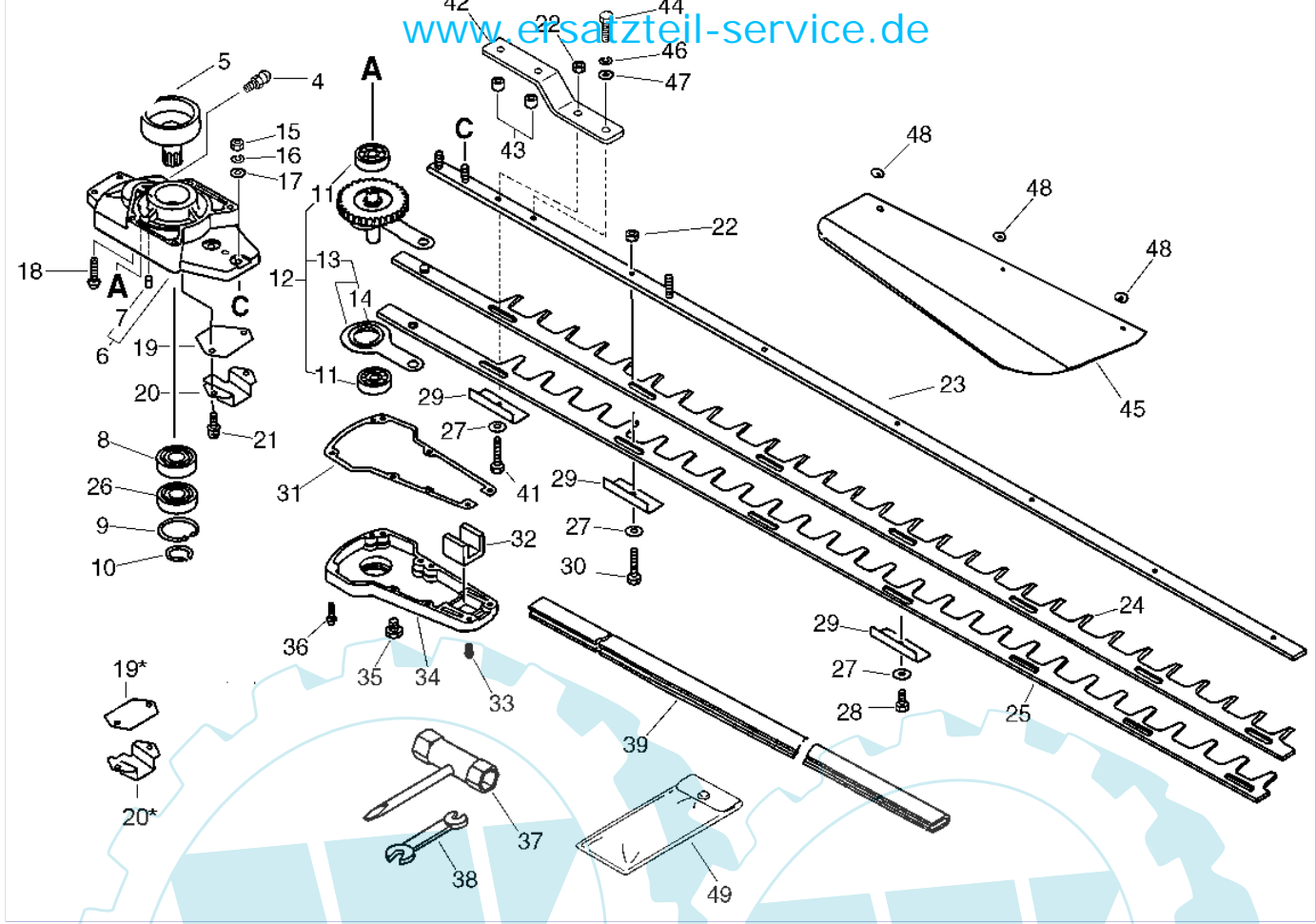
13 referenz(en)



Stückliste:

| Ref. # | Artikelnr. | Artikelname | Menge | Beschreibung |
|--------|-----------------|------------------------------------|--------|--------------|
| 05 | 16-A440-000320 | Stopschalter | 1.0000 | |
| 06 | 16-178013-35631 | Feder | 1.0000 | St |
| 07 | 16-178012-05960 | Gashebelsperre HC-2300 HCA-2410 | 1.0000 | St |
| 08 | 16-178010-05960 | Gashebel | 1.0000 | St |
| 09 | 16-351102-47530 | Hint, Griff | 1.0000 | St |
| 10 | 16-900500-00005 | Mutter | 1.0000 | St |
| 11 | 16-900220-05030 | Schraube | 1.0000 | St |
| 12 | 16-900246-03025 | Schraube 3 x 25 | 4.0000 | St |
| 13 | 16-351200-07363 | Handgriff vorne | 1.0000 | St |
| 14 | 16-351012-07361 | Griffgummi | 1.0000 | St |
| 15 | 16-433022-06460 | Sicherungsmutter M6*1 | 2.0000 | St |
| 16 | 16-900603-00006 | U-Scheibe | 2.0000 | St |
| 17 | 16-900562-50005 | Sicherungsmutter 5 CS-2600/-4200ES | 2.0000 | St |
| 18 | 16-351243-01260 | Platte | 2.0000 | St |
| 19 | 16-351228-01260 | Puffer | 4.0000 | St |
| 20 | 16-351241-01260 | Hülse | 2.0000 | St |
| 21 | 16-351217-05960 | Grifflager | 1.0000 | St |
| 22 | 16-351242-01261 | Platte | 1.0000 | St |
| 23 | 16-900105-05060 | Schraube 5x60 | 2.0000 | St |
| 24 | 16-900242-05016 | Schraube | 2.0000 | St |
| 25 | 16-610438-01260 | Halterplatte HC-2300, -2400, -2410 | 1.0000 | St |
| 26 | 16-351205-08961 | Handgriff hinten | 1.0000 | St |
| 27 | 16-178001-05960 | Gaszug | 1.0000 | St |
| 28 | 16-178127-43130 | Tülle (Gummi) | 1.0000 | St |
| 29 | 16-900502-00006 | Mutter SRMF-340 6 (3N) | 2.0000 | St |
| 30 | 16-900600-00006 | Scheibe | 2.0000 | St |
| 31 | 16-900242-05010 | Schraube | 1.0000 | St |
| 32 | 16-178121-10050 | Clip | 1.0000 | St |
| 33 | 16-890157-06560 | Aufkleber | 1.0000 | St |
| 34 | 16-351217-07360 | Griffstütze | 1.0000 | St |
| 35 | 16-900253-05014 | Schraube | 1.0000 | St |

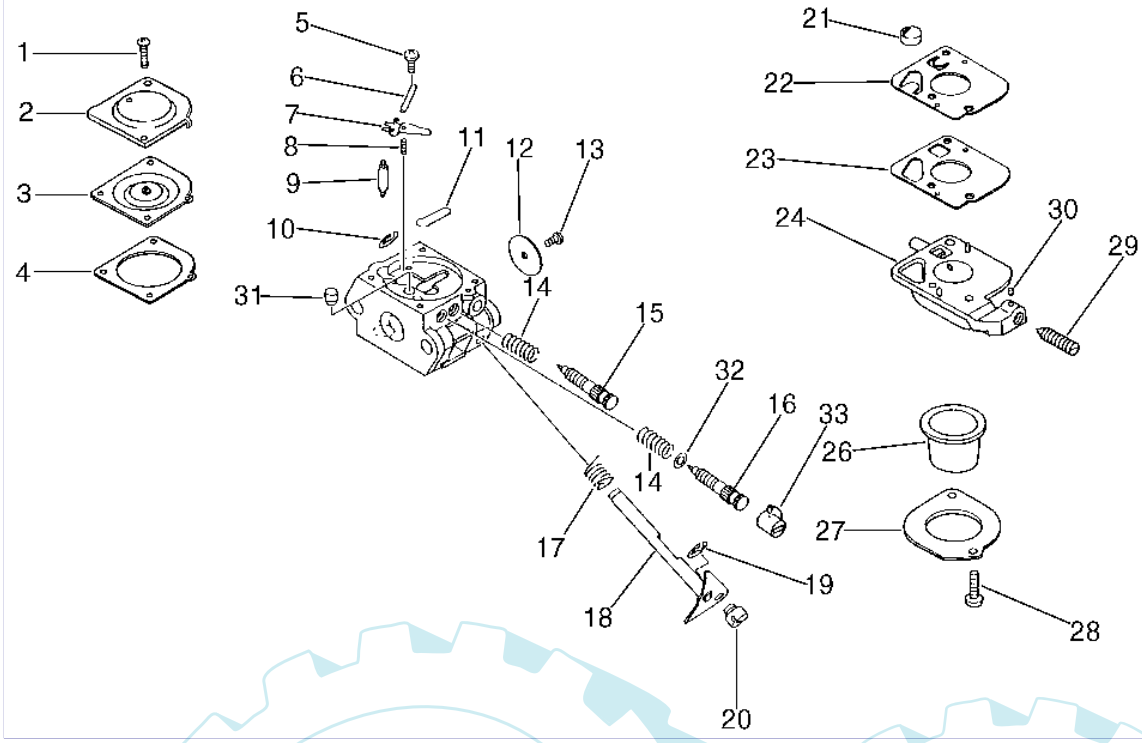
31 referenz(en)



Stückliste:

| Ref. # | Artikelnr. | Artikelname | Menge | Beschreibung |
|--------|-----------------|----------------------------------|--------|--------------|
| 04 | 16-880110-10860 | Schmiernippel M6 | 1.0000 | St |
| 05 | 16-175003-01261 | Kupplungstrommel (incl. Circlip) | 1.0000 | St |
| 06 | 16-610406-05960 | Getriebegehäuse | 1.0000 | St |
| 07 | 16-100215-03930 | Führungsbolzen PB-500 | 2.0000 | St |
| 08 | 16-900802-06003 | Kugellager | 1.0000 | St |
| 09 | 16-900702-00035 | Seegerring, innen, 35mm | 1.0000 | St |
| 10 | 16-900701-00019 | Seegerring außen 19mm | 1.0000 | St |
| 11 | 16-900810-06200 | Kugellager | 2.0000 | St |
| 12 | 16-610302-01261 | Zsb. Getriebe | 1.0000 | St |
| 13 | 16-610307-01261 | Antrieb mit Lager | 2.0000 | St |
| 14 | 16-610327-01261 | Nadellager | 2.0000 | St |
| 15 | 16-900500-00006 | Mutter | 2.0000 | St |
| 16 | 16-900605-00006 | Scheibe SHR-150SI | 2.0000 | St |
| 17 | 16-900600-00006 | Scheibe | 2.0000 | St |
| 18 | 16-900162-05030 | Schraube | 4.0000 | St |
| 19 | 16-610440-01260 | Schutz | 1.0000 | St |
| 20 | 16-610441-02060 | Schutz | 1.0000 | St |
| 21 | 16-900162-05014 | Schraube M 5x14 | 2.0000 | St |
| 22 | 16-433022-06460 | Sicherungsmutter M6*1 | 4.0000 | St |
| 23 | 16-X425-000051 | Messerrhalter HC-2410 | 1.0000 | St |
| 24 | 16-697010-08960 | Obermesser HC-2410 | 1.0000 | St |
| 25 | 16-697011-08960 | Untermesser HC-2410 | 1.0000 | St |
| 26 | 16-900802-06003 | Kugellager | 1.0000 | St |
| 27 | 16-699118-01261 | Scheibe 15,5x7,8x1,7 mm | 5.0000 | St |
| 28 | 16-699115-02062 | Schraube | 4.0000 | St |
| 29 | 16-699213-02063 | Messerführungsblech | 5.0000 | St |
| 30 | 16-351027-02060 | Bolzen | 1.0000 | St |
| 31 | 16-610414-01260 | Dichtung, Gummi | 1.0000 | St |
| 32 | 16-610426-01260 | Filzdichtung | 1.0000 | St |
| 33 | 16-900242-04014 | Schraube 4x14 (Eisen) | 4.0000 | St |
| 34 | 16-610411-05961 | Getriebedeckel | 1.0000 | St |
| 35 | 16-610434-50031 | Schraube (Eisen), M8 | 1.0000 | St |
| 36 | 16-900242-04022 | Schraube | 2.0000 | St |
| 37 | 16-895410-02830 | Kombischlüssel | 1.0000 | St |
| 38 | 16-895112-00330 | Gabelschlüssel | 1.0000 | St |
| 39 | 16-898523-02961 | Transportschutz | 1.0000 | St |
| 41 | 16-699115-08960 | Messerschraube | 1.0000 | St |
| 42 | 16-699213-08960 | Messerführungsblech | 1.0000 | St |
| 43 | 16-699111-08960 | Messerführung | 2.0000 | St |
| 44 | 16-900100-06010 | Schraube | 1.0000 | St |
| 45 | 16-699511-07360 | Schnittgutabweiser | 1.0000 | St |
| 46 | 16-900605-00006 | Scheibe SHR-150SI | 1.0000 | St |
| 47 | 16-900600-00006 | Scheibe | 1.0000 | St |
| 48 | 16-900603-00006 | U-Scheibe | 3.0000 | St |
| 49 | 16-898510-39130 | Werkzeugtasche | 1.0000 | St |

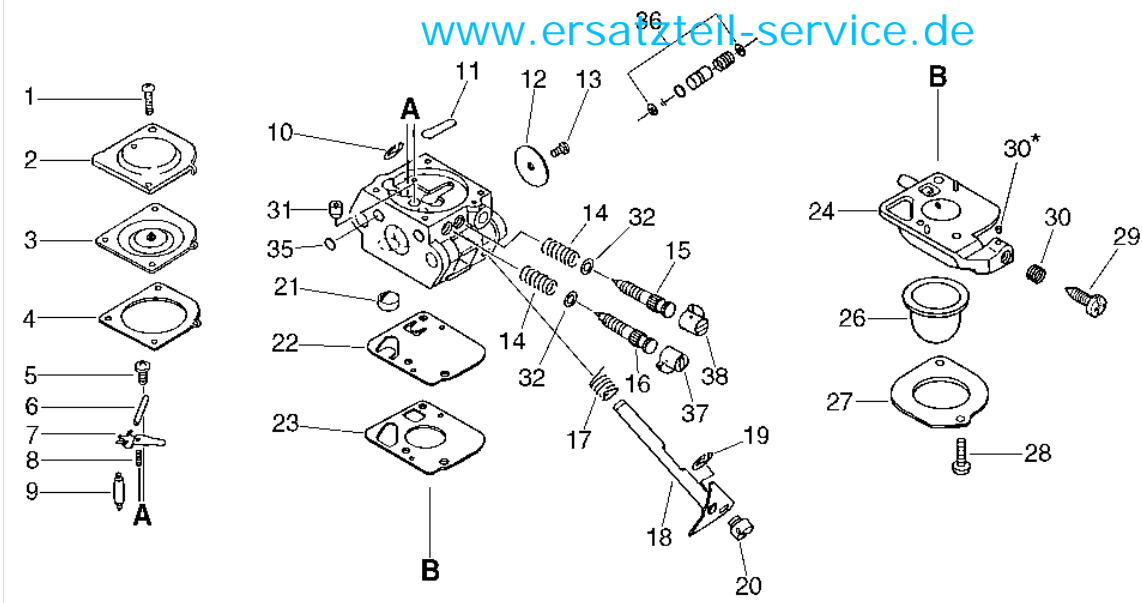
45 referenz(en)



Stückliste:

| Ref. # | Artikelnr. | Artikelname | Menge | Beschreibung |
|--------|-----------------|---------------------------------------|-----------|--------------|
| 00 | 16-125200-08963 | Vergaser Zama C1U-K31A | 1.0000 St | |
| 01 | 16-125344-52130 | Schraube | 2.0000 St | |
| 02 | 16-125342-52130 | Membrandeckel SHR-150SI | 1.0000 St | |
| 03 | 16-125341-42030 | Membrane(Gummi) SHR-150SI | 1.0000 St | |
| 04 | 16-125340-51030 | Dichtung | 1.0000 St | |
| 05 | 16-125339-42030 | Schraube | 1.0000 St | |
| 06 | 16-125338-13930 | Stift, Ventilarm | 1.0000 St | |
| 07 | 16-125323-42030 | Ventilarm | 1.0000 St | |
| 08 | 16-125322-42030 | Feder | 1.0000 St | |
| 09 | 16-125337-06960 | Ventil | 1.0000 St | |
| 10 | 16-125327-15130 | Clip | 1.0000 St | |
| 11 | 16-125345-15130 | Kappe | 1.0000 St | |
| 12 | 16-125316-42030 | Ventil | 1.0000 St | |
| 13 | 16-125314-13930 | Schraube | 1.0000 St | |
| 14 | 16-125319-42030 | Feder | 2.0000 St | |
| 15 | 16-125318-42030 | Einstellnadel | 1.0000 St | |
| 16 | 16-125320-07760 | Nadel, Vollast | 1.0000 St | |
| 17 | 16-125313-42030 | Feder ES-2000,HC-2100,PP-600,SRM-2450 | 1.0000 St | |
| 18 | 16-125317-42030 | Gasgestänge | 1.0000 St | |
| 19 | 16-125327-13930 | Clip | 1.0000 St | |
| 20 | 16-125372-42030 | Schraube | 1.0000 St | |
| 21 | 16-125326-42030 | Filter | 1.0000 St | |
| 22 | 16-125312-42030 | Membrane HC-2100, PB-2455, SRM-2450 | 1.0000 St | |
| 23 | 16-125325-13310 | Dichtung | 1.0000 St | |
| 24 | 16-P005-000990 | Deckel | 1.0000 St | |
| 26 | 16-125381-08660 | Pumpengummi | 1.0000 St | |
| 27 | 16-125363-11610 | Ring | 1.0000 St | |
| 28 | 16-125310-11610 | Schraube | 2.0000 St | |
| 29 | 16-125334-13930 | Einstellschraube | 1.0000 St | |
| 30 | 16-125378-13930 | Hülse | 1.0000 St | |
| 31 | 16-125376-07760 | Düse | 1.0000 St | |
| 32 | 16-125353-07760 | U-Scheibe | 1.0000 St | |
| 33 | 16-125329-08960 | Begrenzer, Vergaser | 1.0000 St | |

33 referenz(en)



Stückliste:

| Ref. # | Artikelnr. | Artikelname | Menge | Beschreibung |
|--------|-----------------|---------------------------------------|-----------|--------------|
| 01 | 16-125344-52130 | Schraube | 2.0000 St | |
| 02 | 16-125342-52130 | Membrandeckel SHR-150SI | 1.0000 St | |
| 03 | 16-125341-42030 | Membrane(Gummi) SHR-150SI | 1.0000 St | |
| 04 | 16-125340-51030 | Dichtung | 1.0000 St | |
| 05 | 16-125339-42030 | Schraube | 1.0000 St | |
| 06 | 16-125338-13930 | Stift, Ventilarm | 1.0000 St | |
| 07 | 16-125323-42030 | Ventilarm | 1.0000 St | |
| 08 | 16-125322-42030 | Feder | 1.0000 St | |
| 09 | 16-125337-06960 | Ventil | 1.0000 St | |
| 0D | 16-125303-13310 | Vergaserdichtsatz SRM-2015, GT-2150 | 0.0000 St | |
| 0R | 16-125300-13310 | Vergaserreparatursatz | 1.0000 St | |
| 0V | 16-125200-05964 | Vergaser C1U-K51 | 1.0000 St | |
| 10 | 16-125327-15130 | Clip | 1.0000 St | |
| 11 | 16-125345-15130 | Kappe | 1.0000 St | |
| 12 | 16-125316-49030 | Ventil | 1.0000 St | |
| 13 | 16-125314-13930 | Schraube | 1.0000 St | |
| 14 | 16-125319-42030 | Feder | 2.0000 St | |
| 15 | 16-125318-07360 | Nadel, Standgas | 1.0000 St | |
| 16 | 16-125320-07360 | Nadel, Vollast | 1.0000 St | |
| 17 | 16-125313-42030 | Feder ES-2000,HC-2100,PP-600,SRM-2450 | 1.0000 St | |
| 18 | 16-P005-000390 | Welle SRM-2015 | 1.0000 St | |
| 19 | 16-125327-13930 | Clip | 1.0000 St | |
| 20 | 16-125372-42030 | Schraube | 1.0000 St | |
| 21 | 16-125326-42030 | Filter | 1.0000 St | |
| 22 | 16-125312-12820 | Membrane (Gummi) | 1.0000 St | |
| 23 | 16-125325-13310 | Dichtung | 1.0000 St | |
| 24 | 16-P005-000590 | Vergaserdeckel | 1.0000 St | |
| 26 | 16-125381-08660 | Pumpengummi | 1.0000 St | |
| 27 | 16-125363-11610 | Ring | 1.0000 St | |
| 28 | 16-125310-11610 | Schraube | 2.0000 St | |
| 29 | 16-125334-13930 | Einsteilschraube | 1.0000 St | |
| 30 | 16-125378-13930 | Hülse | 1.0000 St | |
| 31 | 16-125376-13120 | Düse | 1.0000 St | |
| 32 | 16-125353-20560 | U-Scheibe | 2.0000 St | |
| 35 | 16-125345-13310 | Kappe | 1.0000 St | |
| 36 | 16-125306-13120 | Pumpensatz Vergaser | 1.0000 St | |
| 37 | 16-125329-39030 | Begrenzer, Vergaser | 1.0000 St | |
| 38 | 16-125329-09860 | Begrenzer, Vergaser C1U-K51 | 1.0000 St | |

38 referenz(en)