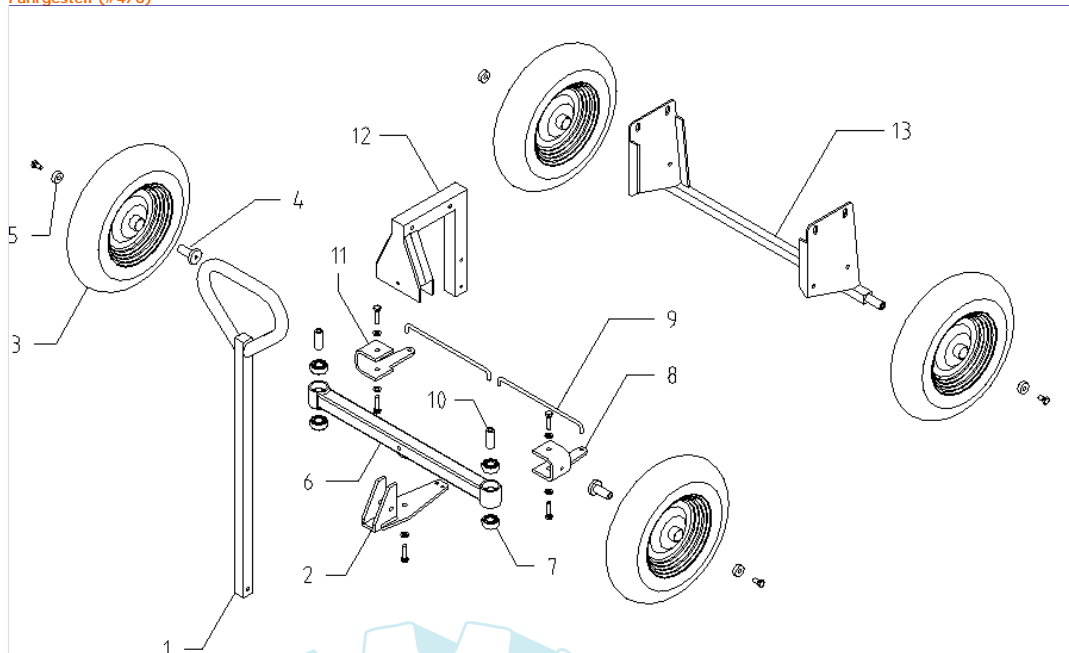


Fahrgestell (#4/0)

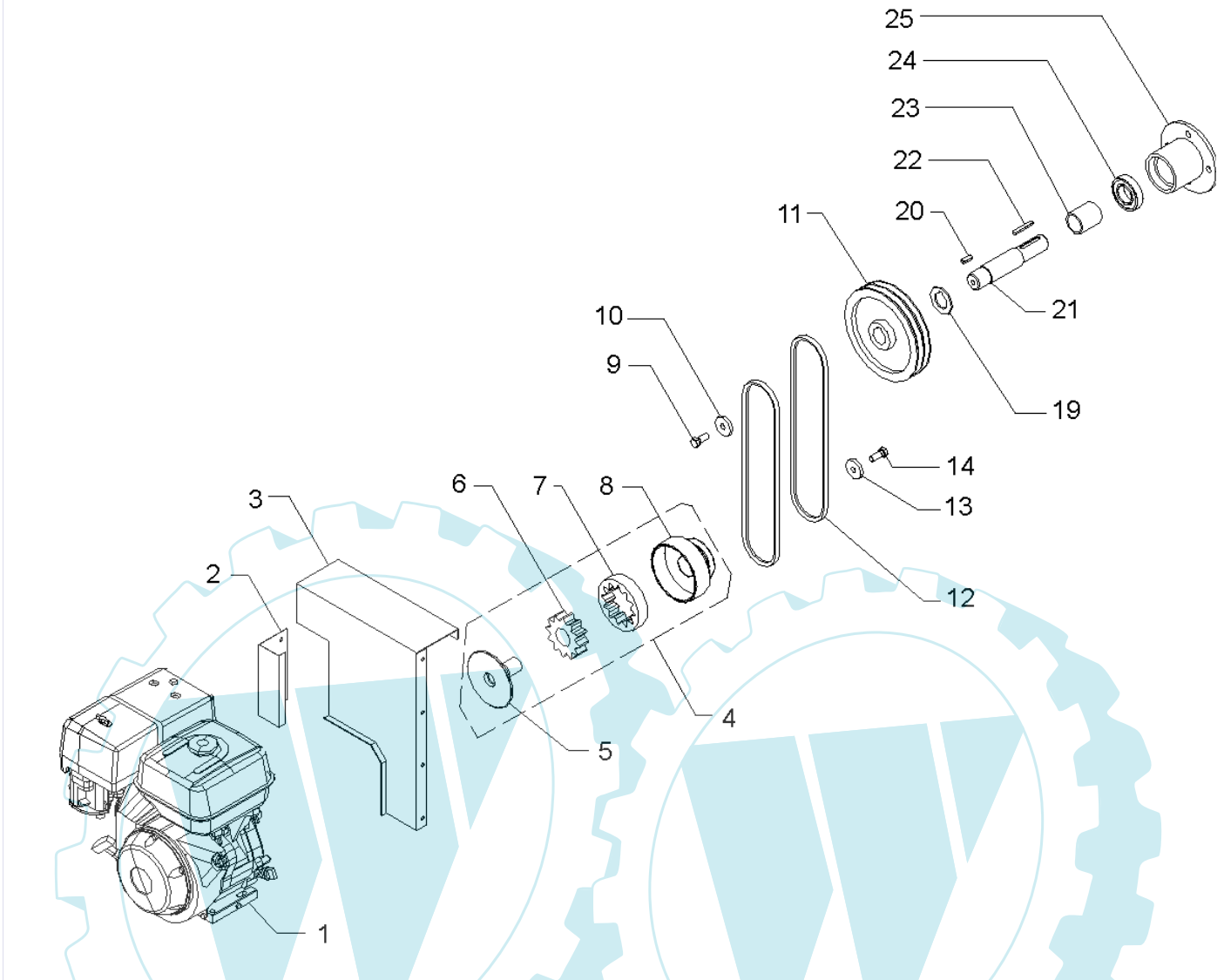


Stückliste:

| Ref. # | Artikelnr. | Artikelname | Menge | Beschreibung |
|--------|---------------|-------------------------|-----------|--------------|
| 01 | 37-B-19005001 | Deichsel | 1.0000 St | |
| 02 | 37-B-19005002 | Deichselträger | 1.0000 St | |
| 03 | 37-B-19005003 | Rad 3,50-8 | 4.0000 St | |
| 04 | 37-B-19005004 | Zapfen | 2.0000 St | |
| 05 | 37-B-19005005 | Unterlegscheibe Ø 10x30 | 4.0000 St | |
| 06 | 37-B-19005006 | Vorderachse | 1.0000 St | |
| 07 | 37-B-19005007 | Lager 20x42x16 | 4.0000 St | |
| 08 | 37-B-19005008 | Träger SX | 1.0000 St | |
| 09 | 37-B-19005009 | Zapfen, Spurstange | 2.0000 St | |
| 10 | 37-B-19005010 | Zapfen | 2.0000 St | |
| 11 | 37-B-19005011 | Träger DX | 1.0000 St | |
| 12 | 37-B-19005012 | Träger | 1.0000 St | |
| 13 | 37-B-19005013 | Hinterachse | 1.0000 St | |

13 referenz(en)

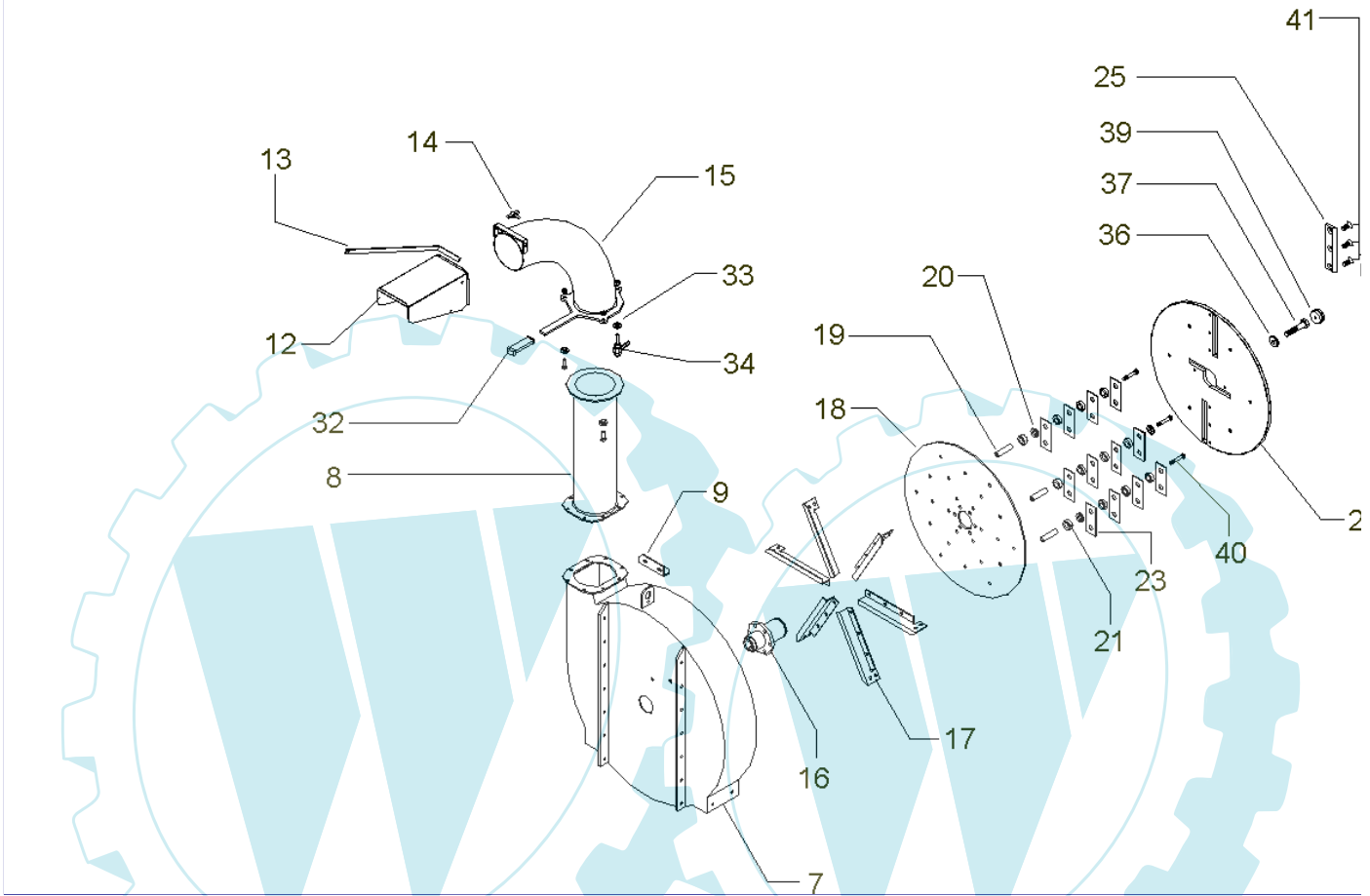
Antrieb (#8/0)



Stückliste:

| Ref. # | Artikelnr. | Artikelname | Menge | Beschreibung |
|--------|---------------|---------------------------|-----------|--------------|
| 01 | 36-888888 | Nicht von ECHO lieferbar | 1.0000 St | |
| 02 | 37-B-19002002 | Schutzblech | 1.0000 St | |
| 03 | 37-B-19002003 | Schutzverkleidung | 1.0000 St | |
| 04 | 37-B-19002004 | Kupplung kpl. 2A 138 | 1.0000 St | |
| 05 | 37-B-19002005 | Kupplungsnahe | 1.0000 St | |
| 06 | 37-B-19002006 | Aluminiumstern, Kupplung | 1.0000 St | |
| 07 | 37-B-19002007 | Kupplungsgummi Ø138 mm | 1.0000 St | |
| 08 | 37-B-19002008 | Kupplungstrommel | 1.0000 St | |
| 09 | 37-B-19002009 | Schraube M14x35 | 1.0000 St | |
| 10 | 37-B-19002010 | Sperrscheibe | 1.0000 St | |
| 11 | 37-B-19002011 | Riemenscheibe SPA 224 | 1.0000 St | |
| 12 | 37-B-19002012 | Keilriemen A-38 | 2.0000 St | |
| 13 | 37-B-19002013 | Sperrscheibe | 1.0000 St | |
| 14 | 37-B-19002014 | "Schraube 3/8x1-1/2" UNF" | 1.0000 St | |
| 16 | 37-B-19002016 | Montagegehäuse | 1.0000 St | |
| 17 | 37-B-19002017 | Platte links | 1.0000 | |
| 18 | 37-B-19002018 | Platte rechts | 1.0000 | |
| 19 | 37-B-19002019 | Distanzstück SP4 | 1.0000 | |
| 20 | 37-B-19002020 | Keil 12x8x35 | 1.0000 | |
| 21 | 37-B-19002021 | Antriebswelle | 1.0000 | |
| 22 | 37-B-19002022 | Keil 10x8x60 | 1.0000 | |
| 23 | 37-B-19002023 | Distanzstück H=64 | 1.0000 | |
| 24 | 37-B-19002024 | Lager | 2.0000 | |
| 25 | 37-B-19002025 | Wellenflansch | 1.0000 | |
| 26 | 37-B-19002026 | Platte Motorbefestigung | 1.0000 | |

25 referenz(en)



Stückliste:

| Ref. # | Artikelnr. | Artikelname | Menge | Beschreibung |
|--------|-----------------|--------------------------------------|------------|--------------|
| 07 | 37-B-19001007 | Gehäuse | 1.0000 St | |
| 08 | 37-B-19001008 | Auswurfrohr gerade | 1.0000 St | |
| 09 | 37-B-19001009 | Scharnierwinkelprofil Trichter | 1.0000 St | |
| 12 | 37-B-19001012 | Auswurf, verstellbar | 1.0000 St | |
| 13 | 37-B-19001013 | Stange Auswurfverstellung | 1.0000 St | |
| 14 | 37-B-19001014 | Flügelmutter M8 | 1.0000 St | |
| 15 | 37-B-19001015 | Auswurfrohr gebogen | 1.0000 St | |
| 16 | 37-B-19001016 | Nabe | 1.0000 St | |
| 17 | 37-B-19001017 | Flügel | 6.0000 St | |
| 18 | 37-B-19001018 | hintere Zerkhackerscheibe | 1.0000 St | |
| 19 | 37-B-19001019 | Klingenträgerzapfen | 6.0000 St | |
| 20 | 37-B-19001020 | Distanzstück H=6 | 6.0000 St | |
| 21 | 37-B-19001021 | Distanzstück H=12 | 18.0000 St | |
| 22 | 37-B-19001022 | Zentrale Klinge | 1.0000 St | |
| 23 | 37-B-19001023 | Hammer | 24.0000 St | |
| 24 | 37-B-19001024 | Vordere Zerkhackerscheibe GHX-CH1900 | 1.0000 St | |
| 25 | 37-B-19001025 | Seitliche Zerkhackerklinge | 2.0000 St | |
| 26 | Z-850-CH1900-01 | Sieb für Hackschnittzel Produktion | 1.0000 St | |
| 27 | 37-B-19001027 | Gegenklinge | 2.0000 St | |
| 28 | 37-B-19001028 | Trichter | 1.0000 St | |
| 29 | 37-B-19001029 | Trichterschutzgummi | 1.0000 St | |
| 30 | 37-B-19001030 | Halter Schutzgummi | 1.0000 St | |
| 31 | 37-B-19001031 | Aufkleber, kpl. Satz | 1.0000 St | |
| 32 | 37-B-19001032 | Griffgummi 25x8 | 1.0000 St | |
| 33 | 37-B-19001033 | Distanzstück | 3.0000 St | |
| 34 | 37-B-19001034 | Spanner | 1.0000 St | |
| 35 | 37-B-19001035 | Ring GHX-CH1900 | 1.0000 St | |
| 36 | 37-B-19001036 | Unterlegscheibe | 1.0000 St | |
| 37 | 37-B-19001037 | Kopfschraube | 1.0000 St | |
| 38 | 37-500011008 | Inbusschraube M8x20 | 1.0000 St | |
| 39 | 37-B-19001039 | Deckel | 1.0000 St | |
| 40 | 37-500001036 | Inbusschraube M10x35 | 3.0000 St | |
| 41 | 37-501020010 | Inbusschraube M10x20 Senkkopf | 8.0000 St | |

33 referenz(en)