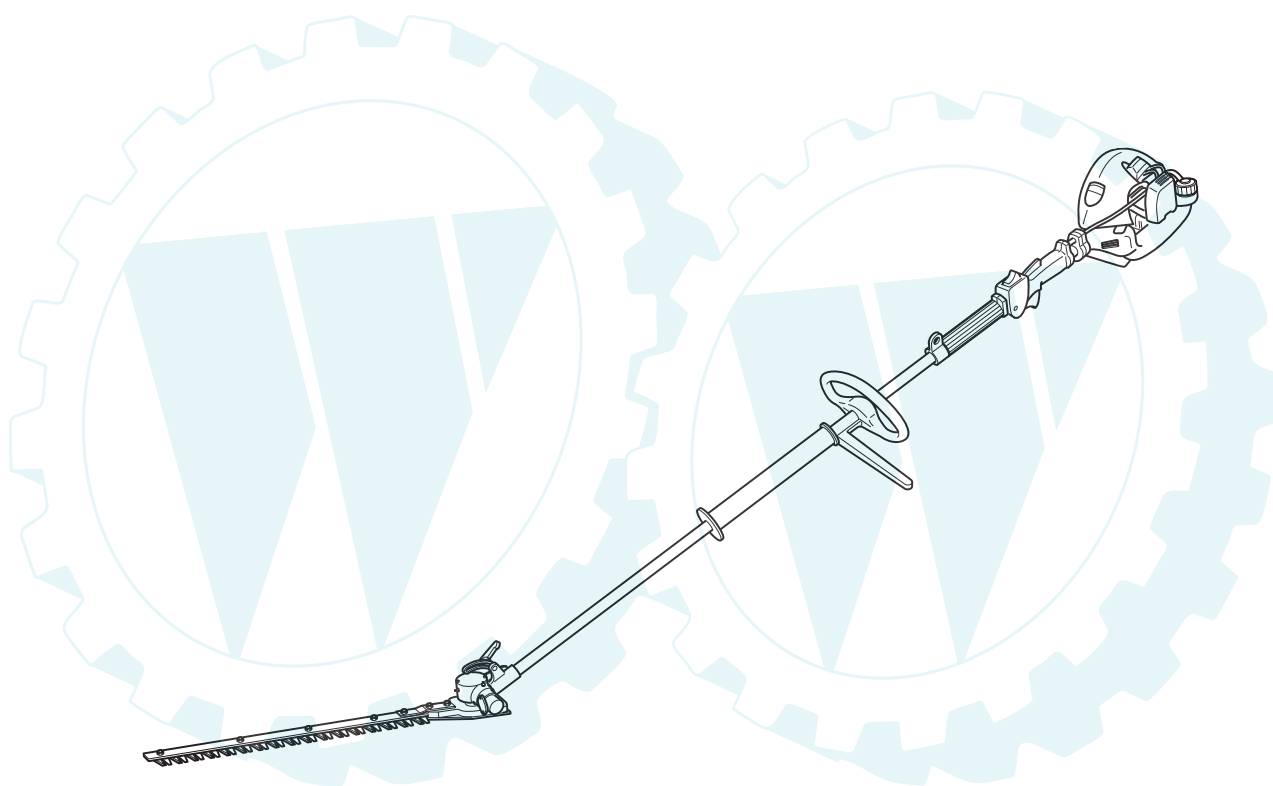


2006-03



**MH-2556**

IMPORTANT! - To assure product SAFETY and RELIABILITY, repairs, maintenance or adjustments should be performed by DOLMAR Service Centers, or other qualified service organisations. Always use DOLMAR replacement parts.


---

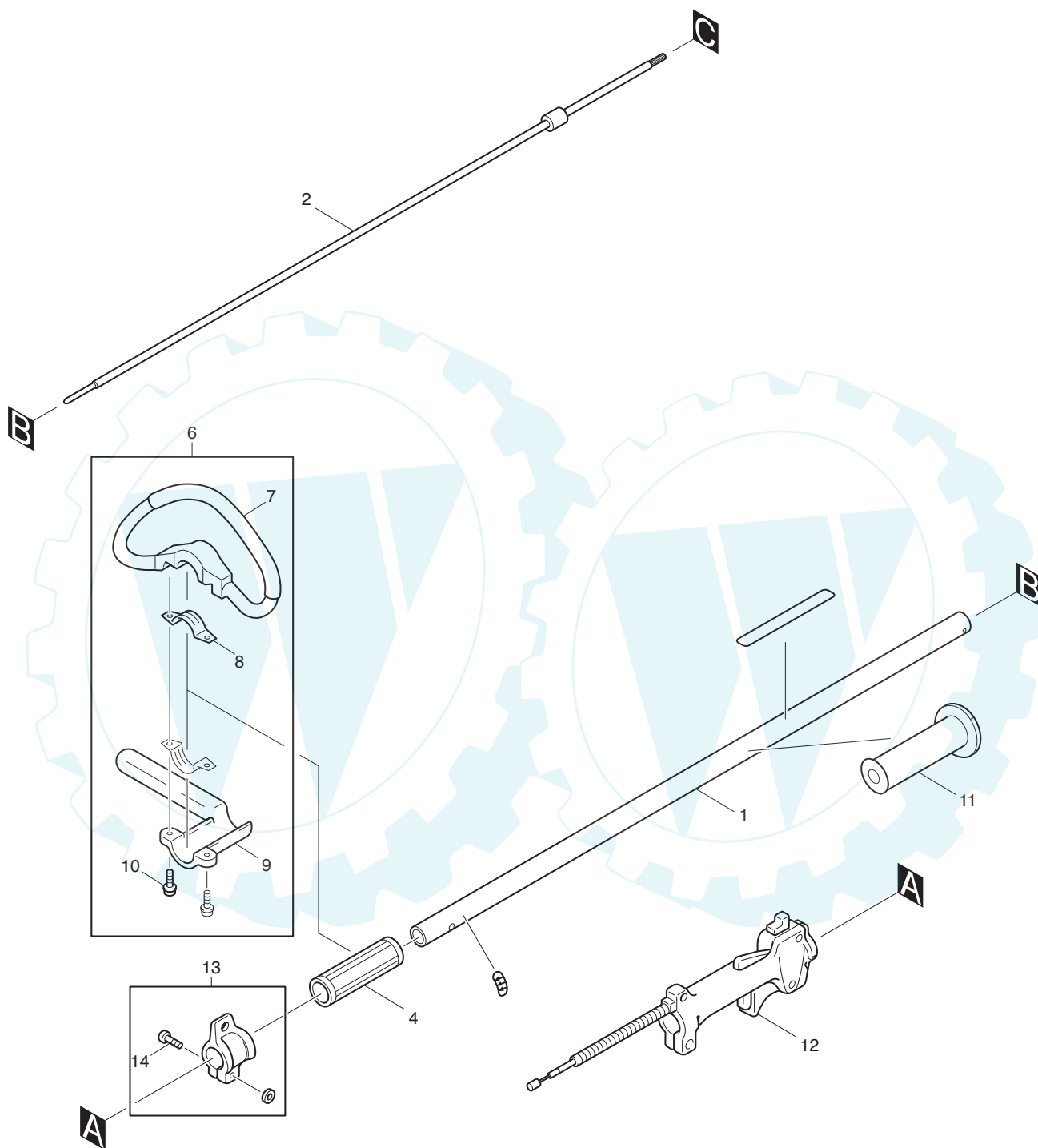
**DOLMAR**



A member of the **Makita** Group

995 700 268 (GB)

MH-2556	<b>1</b>	Pipe, handle, control lever	<b>DOLMAR</b> 
---------	----------	-----------------------------	--

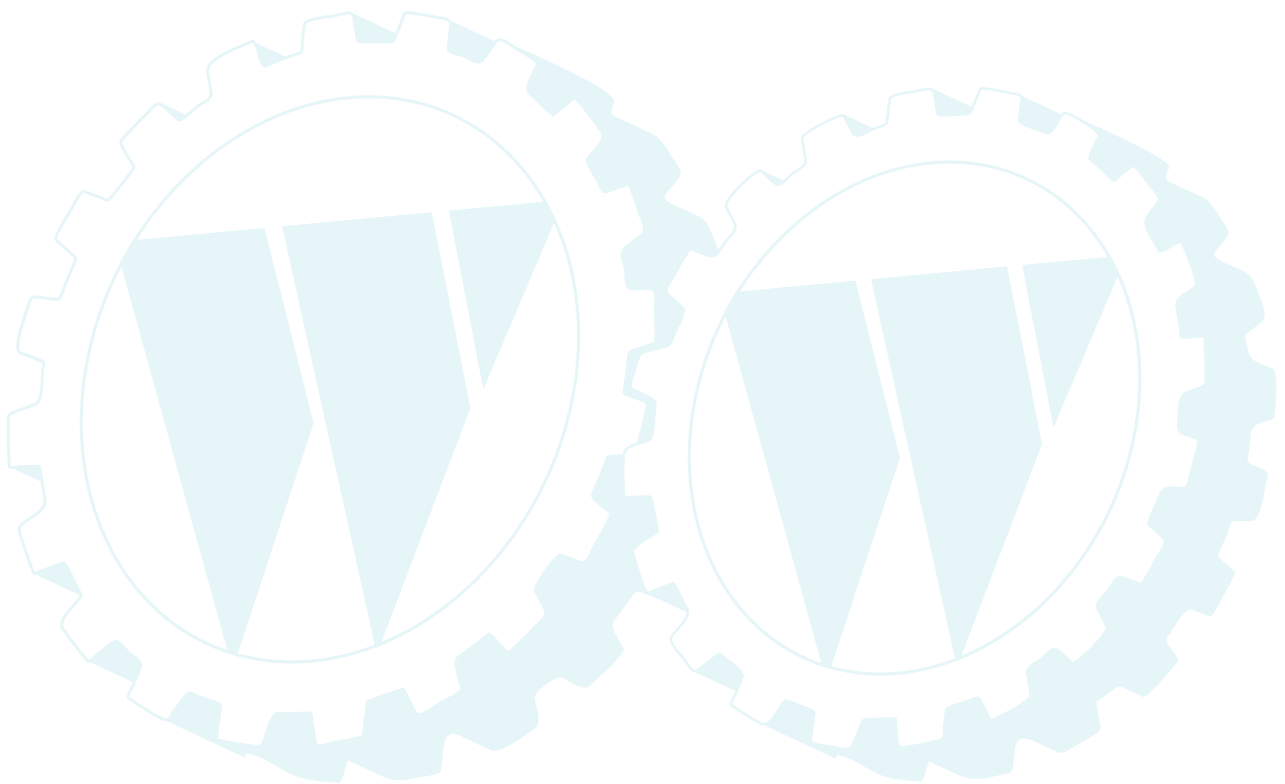


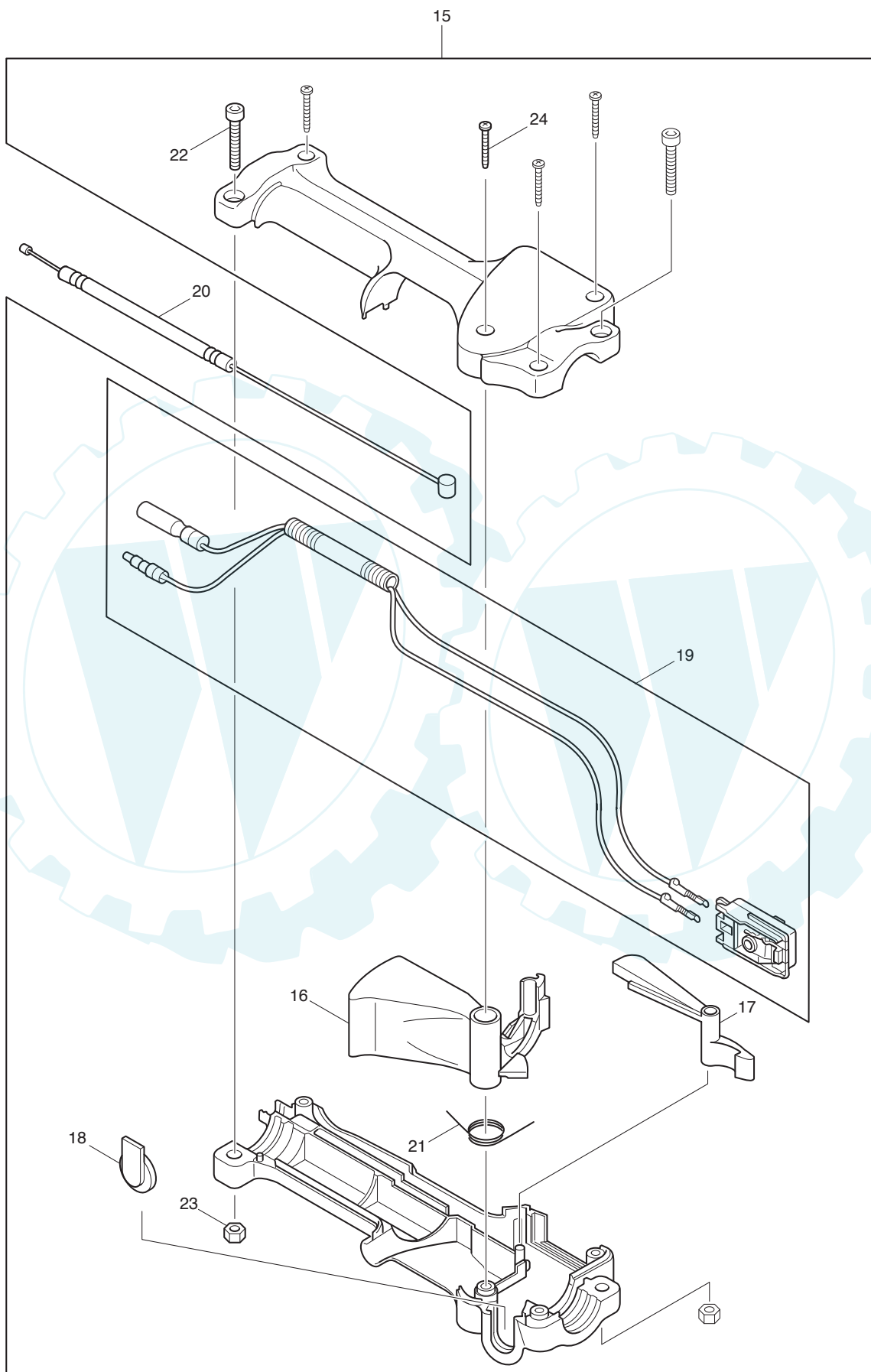
# MH-2556

**DOLMAR**



Page	Pos.	MH-2556	Part No.	Notes	Description	Specifications
1	1	1	388 101 500		SHAFT PIPE COMPLETE	
1	2	1	367 150 630		SHAFT	
1	4	1	388 150 150		SPACER	
1	6	1	367 401 400		HANDLE COMPLETE	INC. 7-10
1	7	1	367 400 401		LOOP HANDLE	
1	8	2	367 401 401		GUARD STAY	
1	9	1	367 400 402		LOOP HANDLE COVER	
1	10	2	367 400 404		SOCKET HEAD BOLT	M6X18
1	11	1	367 450 380		GRIP	
1	12	1	368 500 100		CONTROL LEVER ASSY	
1	13	1	367 401 900		HANGER ASSY	INC. 14
1	14	1	367 360 520		SCREW & WASHER ASSY	



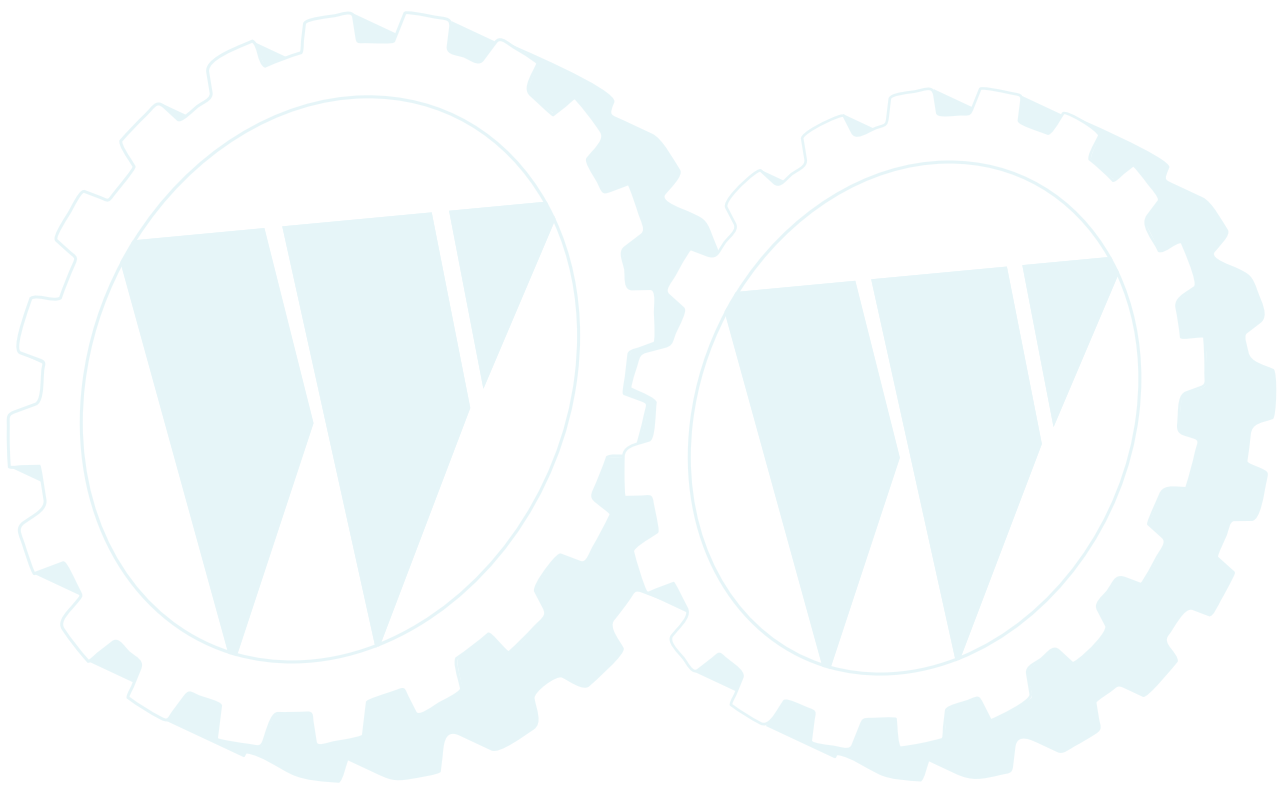


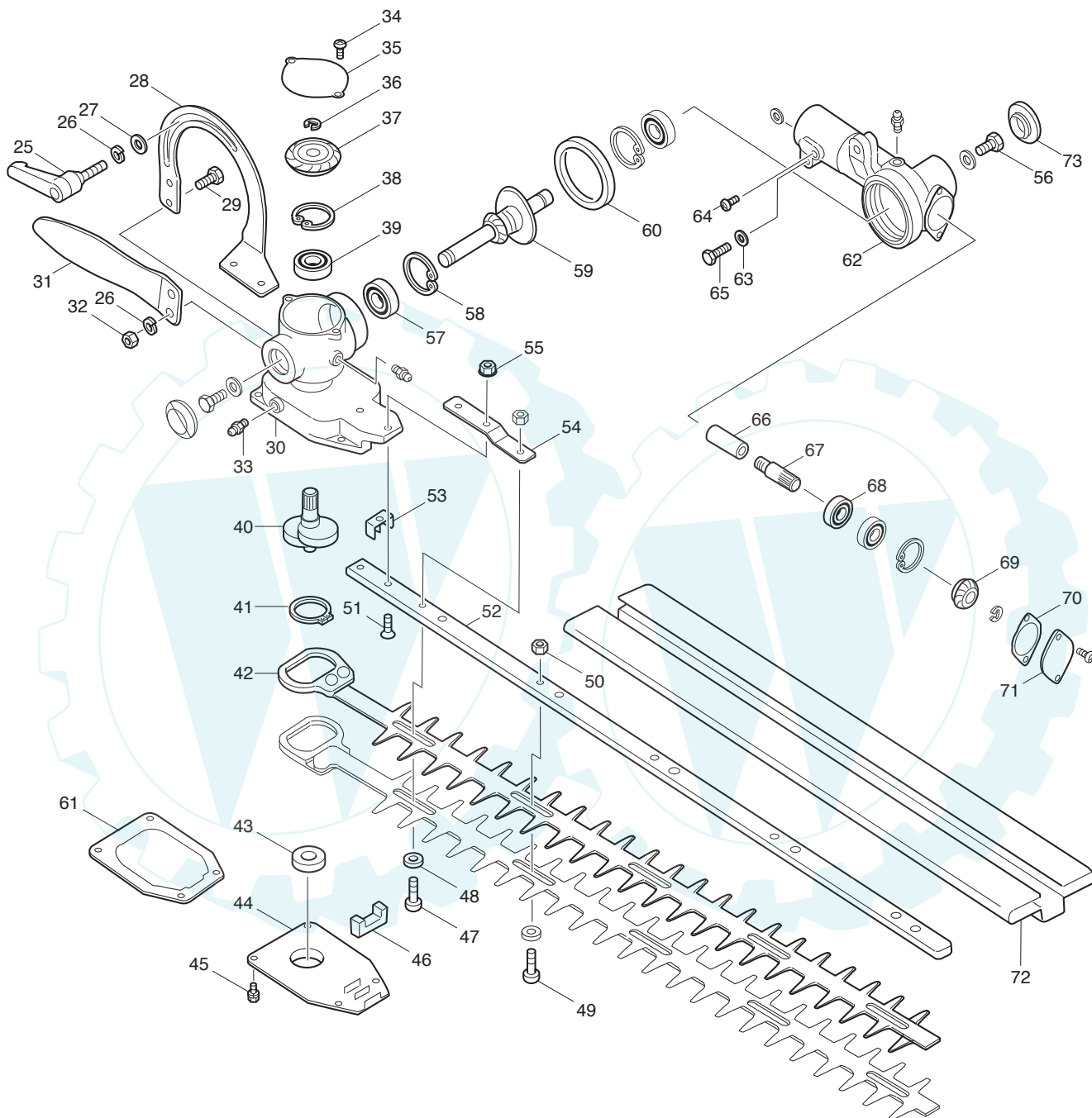
# MH-2556

**DOLMAR**



Page	Pos.	MH-2556	Part No.	Notes	Description	Specifications
2	15	1	368 500 100		CONTROL LEVER ASS'Y	INC. 16-19, 21-24
2	16	1	374 500 603		LEVER	
2	17	1	367 502 306		LEVER	
2	18	1	381 500 615		TOP	
2	19	1	367 500 101		SWITCH ASS'Y	
2	20	1	367 500 102		WIRE COMPLETE	
2	21	1	367 500 605		SPRING	
2	22	2	374 905 972		SOCKET HEAD BOLT	M5X20
2	23	2	374 501 116		NUT	
2	24	4	367 500 606		TAPPING SCREW	M4X20



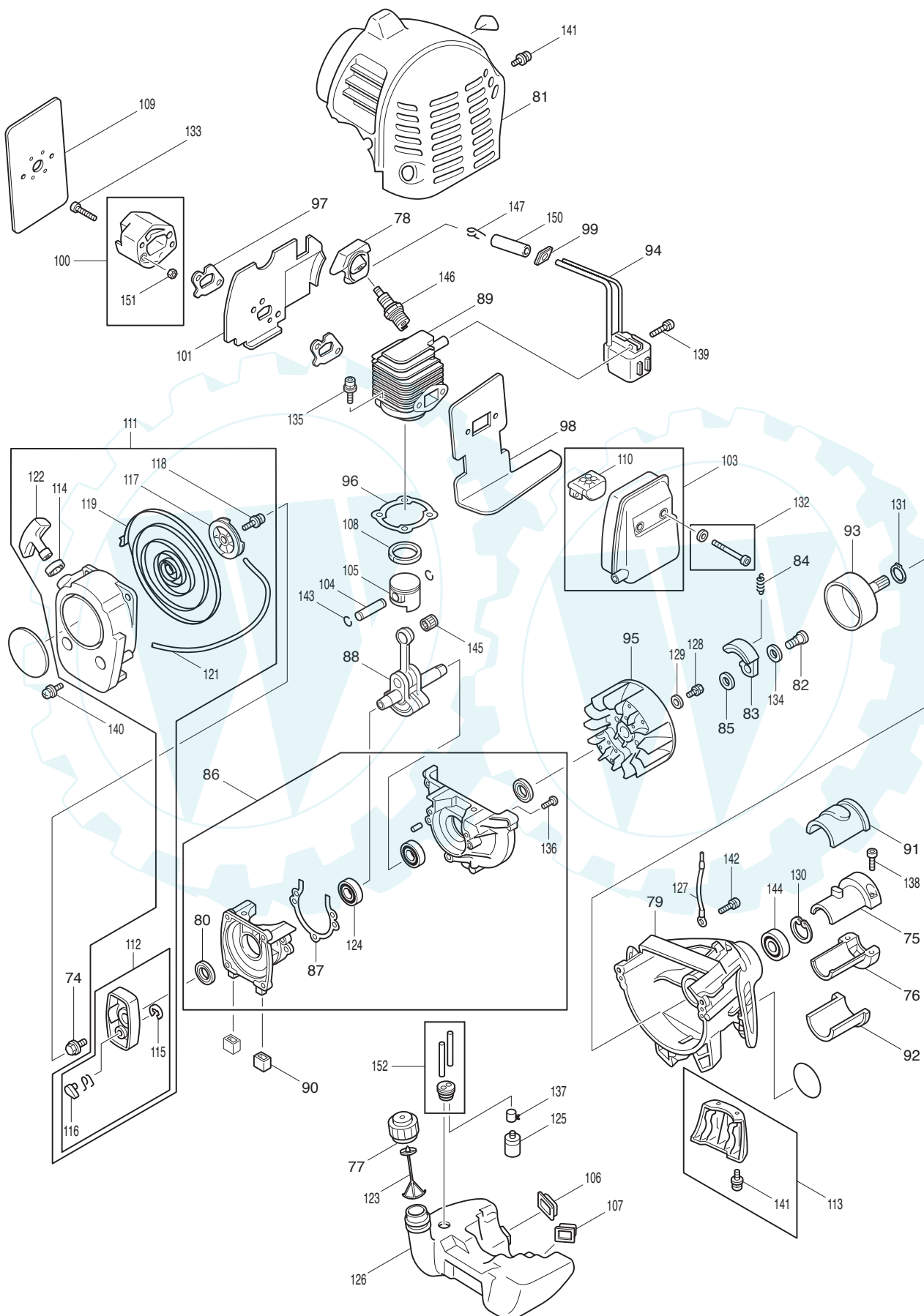


## MH-2556

DOLMAR



Page	Pos.	MH-2556	Part No.	Notes	Description	Specifications
3	25	1	367 000 900		CLAMP LEVER	
3	26	3	381 060 000		SPRING WASHER	M6
3	27	3	367 060 209		WASHER	
3	28	1	367 145 003		PLATE	
3	29	2	367 060 220		BOLT	M6X22
3	30	1	367 148 002		CASE A	
3	31	1	367 141 003		HANDLE	
3	32	2	374 150 060		HEX NUT	M6
3	33	3	367 000 100		GREASING NIPPLE	
3	34	4	367 040 080		SCREW	M4X8
3	35	1	374 112 004		PLATE	
3	36	2	367 006 000		STOP RING	ETW6
3	37	1	367 500 444		GEAR	
3	38	2	367 026 000		SNAP RING (INNER)	R26
3	39	2	374 060 000		BALL BEARING	6000
3	40	1	374 000 053		CRANKSHAFT	
3	41	1	374 028 000		SNAP RING	STW28
3	42	2	374 143 009		BLADE SET	
3	43	1	374 351 006		B. BEARING	608Z
3	44	1	374 153 003		CASE LOWER	
3	45	4	374 040 120		BOLT	M4X12
3	46	1	381 112 004		FELT	
3	47	1	367 002 009		BLADE SLIDING SCREW	L19
3	48	5	374 008 250		BLADE SLIDING WASHER	
3	49	4	374 001 009		SCREW	L17
3	50	5	374 164 060		HEX U-NUT	M6
3	51	2	374 031 050		C. S. H. SCREW	M5X20
3	52	1	374 144 003		GUIDE PLATE	
3	53	1	374 131 004		GUIDE	
3	54	1	374 108 004		PLATE	
3	55	2	374 162 050		FLANGE NUT	M5
3	56	2	374 060 120		BOLT	M6X12
3	57	1	374 006 080		BALL BEARING	608LLU
3	58	2	374 022 000		SNAP RING (INNER)	R22
3	59	1	374 130 004		GEAR SHAFT	
3	60	1	374 041 000		O-RING	
3	61	1	374 154 004		PACKING	
3	62	1	374 149 002		CASE B	
3	63	2	381 050 000		WASHER	
3	64	1	374 050 100		PAN HEAD SCREW	M5X10
3	65	1	374 050 250		BOLT	M5X25
3	66	1	374 146 004		JOINT R	
3	67	1	374 109 004		GEAR SHAFT B	
3	68	2	374 069 000		BALL BEARING	6900
3	69	1	374 500 434		GEAR	
3	70	1	374 114 004		PACKING	
3	71	1	374 113 004		PLATE	
3	72	1	374 200 039		BLADE COVER	
3	73	2	374 147 004		CAP	



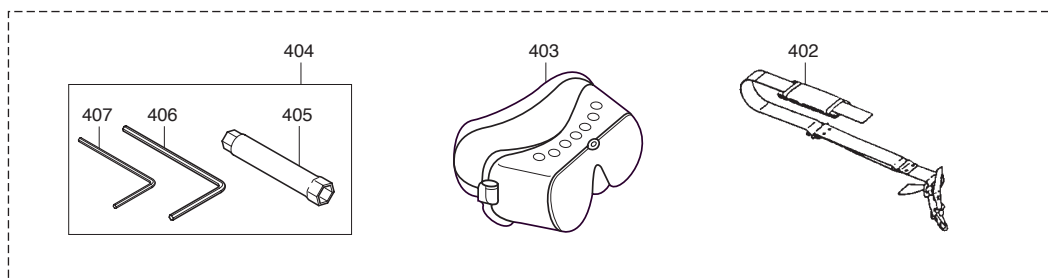
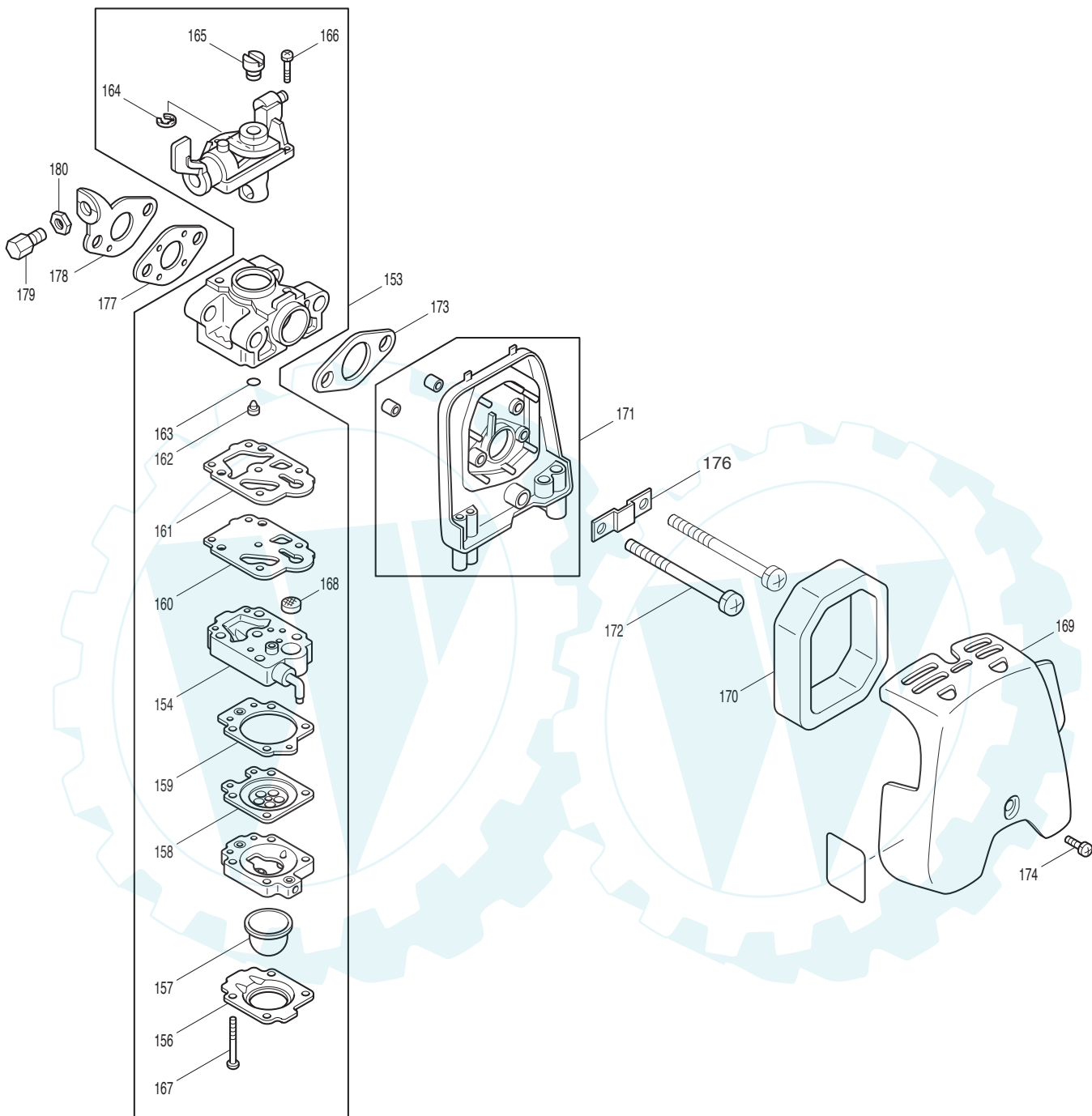


## MH-2556

DOLMAR




Page	Pos.	MH-2556	Part No.	Notes	Description	Specifications
4	74	1	388 550 470		BOLT ASS'Y	
4	75	1	367 150 680		PIPE BRACKET (1)	
4	76	1	367 150 690		PIPE BRACKET (2)	
4	77	1	377 601 400		FUEL TANK CAP COMPLETE	
4	78	1	388 750 330		PLUG CAP	
4	79	1	374 150 420		CLUTCH CASE	
4	80	2	388 012 997		OIL SEAL	
4	81	1	374 503 800		CYLINDER COVER	
4	82	2	374 850 040		CLUTCH BOLT	
4	83	2	367 850 000		CLUTCH SHOE	
4	84	1	367 850 010		SPRING	
4	85	2	381 250 090		WASHER	
4	86	1	388 101 100		CRANKCASE ASS'Y	INC. 80, 87, 124, 136
4	87	1	388 150 220		CRANKCASE GASKET	
4	88	1	374 201 700		CRANKSHAFT COMPLETE	
4	89	1	388 150 180		CYLINDER	
4	90	2	381 650 025		DAMPER	
4	91	1	367 150 660		PIPE DAMPER 1	
4	92	1	367 150 670		PIPE DAMPER 2	
4	93	1	374 201 400		CLUTCH DRUM COMPLETE	
4	94	1	388 703 102		COIL	
4	95	1	388 700 201		FLYWHEEL	
4	96	1	388 150 230		CYLINDER GASKET	
4	97	2	388 350 390		INSULATOR GASKET	
4	98	1	382 350 060		MUFFLER GASKET	
4	99	1	388 750 320		GROMMET	
4	100	1	381 301 400		INSULATOR COMPLETE	INC. 151
4	101	1	374 350 100		INSULATOR CARBURETOR	
4	103	1	388 303 700		EXHAUST MUFFLER	INC. 110
4	104	1	388 250 260		PISTON PIN	
4	105	1	388 250 190		PISTON	
4	106	1	381 650 020		PLATE	
4	107	1	381 650 030		PLATE	
4	108	1	382 250 070		PISTON RING	
4	109	1	388 350 030		GASKET SPACER	
4	110	1	374 350 660		SPARK ARRESTER	
4	111	1	374 501 200		STARTER ASS'Y	INC. 112, 114, 117-119, 121, 122
4	112	1	367 502 500		PULLEY	INC. 115, 116
4	113	1	381 900 200		STAND SET	INC. 141
4	114	1	388 500 104		DAMPER	
4	115	1	374 500 304		E-RING	
4	116	1	374 501 101		RATCHET	
4	117	1	367 502 401		REEL	
4	118	1	388 500 301		SET SCREW	
4	119	1	367 502 403		SPIRAL SPRING	
4	121	1	374 502 402		STARTER ROPE	
4	122	1	388 500 402		HANDLE	
4	123	1	377 502 100		STRAP UNIT	
4	124	2	388 012 985		BALL BEARING	6001C3 UR
4	125	1	382 650 390		FILTER	
4	126	1	374 650 130		FUEL TANK	
4	127	1	388 550 120		WIRE	
4	128	1	381 130 616		BOLT ASS'Y	
4	129	1	381 120 600		WASHER	
4	130	1	382 143 200		INNER SNAP RING	
4	131	1	382 151 200		OUTER SNAP RING	
4	132	1	388 905 960		S. H. BOLT	M5X45
4	133	2	374 905 964		SOCKET HEAD BOLT	M5X25
4	134	1	383 008 991		WASHER	M8
4	135	2	382 905 973		S. H. BOLT	M5X20
4	136	3	388 005 950		P. H. SCREW	M5X25
4	137	1	381 105 999		HOSE CLAMP	
4	138	2	381 905 995		S. H. BOLT	M5X18
4	139	2	367 004 992		SCREW ASS'Y	M4X20
4	140	4	374 005 945		SCREW	M5X18
4	141	3	381 005 948		SCREW	M5X14
4	142	3	374 005 970		SCREW	M5X20
4	143	2	388 508 997		CLIP	
4	144	1	382 012 995		B. BEARING	#6201/6201DD 2RU
4	145	1	381 008 999		NEEDLE ROLLER BEARING	
4	146	1	381 014 981		SPARK PLUG	
4	147	1	377 400 993		PLUG CAP SPRING	
4	150	1	388 106 992		TUBE	
4	151	2	381 170 500		NUT	M5
4	152	1	374 119 997		TUBE	



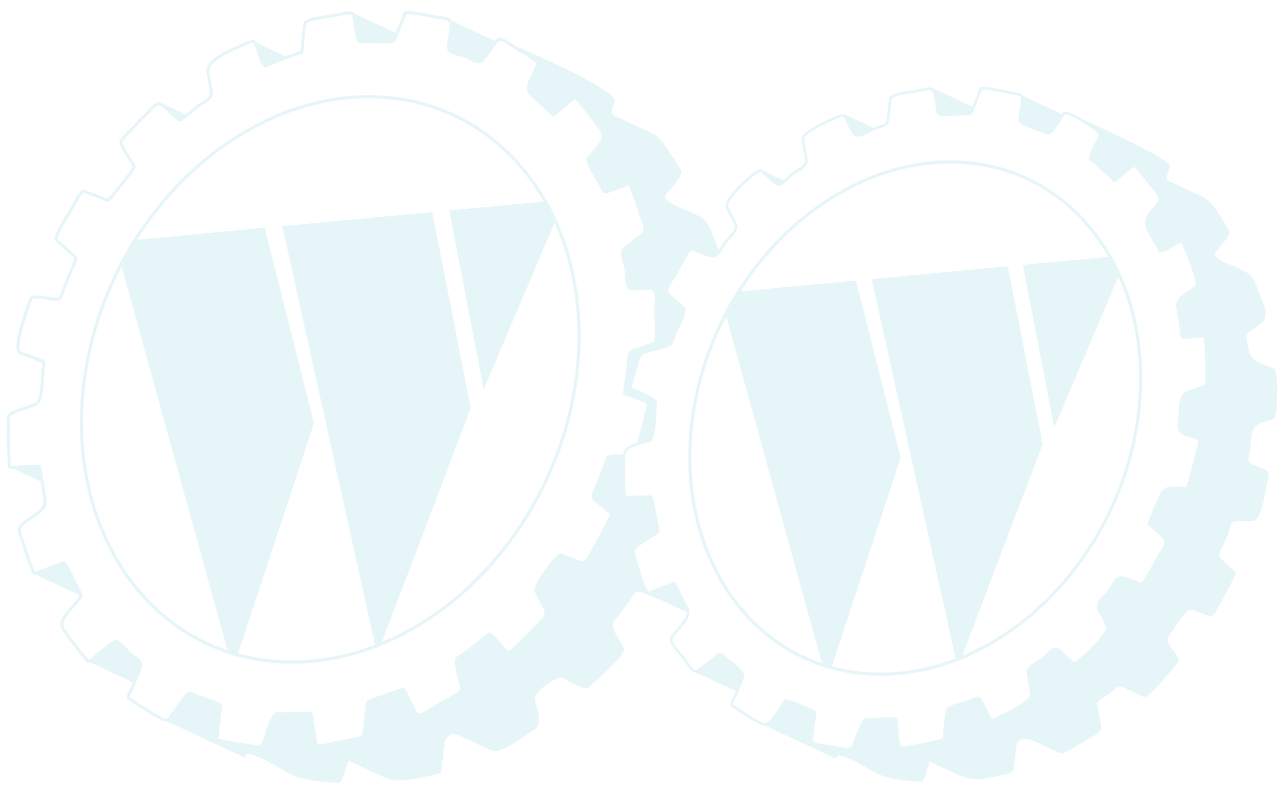
**MH-2556**



Page	Pos.	MH-2556	Part No.	Notes	Description	Specifications
5	153	1	374 606 500		CARBURETOR	INC. 154, 156-168
5	154	1	374 604 613		PUMP BODY ASSEMBLY	
5	156	1	374 604 605		PRIMER PUMP COVER	
5	157	1	381 600 115		PRIMER PUMP	
5	158	1	381 600 525		METERING DIAPHRAGM ASS'Y	
5	159	1	381 604 604		METERING DIAPHRAGM GASKET	
5	160	1	381 600 104		PUMP DIAPHRAGM	
5	161	1	381 600 103		PUMP GASKET	
5	162	1	374 606 501		JET	
5	163	1	381 600 101		O-RING	
5	164	1	381 600 512		RING	
5	165	1	381 601 804		SWIVEL	
5	166	2	388 600 803		P. H. SCREW	
5	167	4	381 604 601		PUMP COVER SCREW	
5	168	1	381 600 401		INLET SCREEN	
5	169	1	388 350 260		AIR CLEANER CASE	
5	170	1	388 350 470		AIR CLEANER ELEMENT	
5	171	1	388 302 100		CLEANER PLATE COMPLETE	
5	172	2	367 360 565		SCREW	M5X62
5	173	1	388 350 420		CARBURETOR GASKET	
5	174	1	367 360 514		SCREW	M5X14
5	176	1	381 350 240		AIR CLEANER PLATE ASS'Y	
5	177	1	381 350 280		SPACER GASKET	
5	178	1	374 650 190		CABLE BRACKET	
5	179	1	374 906 998		ADJUST SCREW	
5	180	1	377 270 600		NUT	M6
5	402	1	367 700 300		BAND ASS'Y	
5	403	1	374 916 862		SAFETY GOGGLES	
5	404	1	374 900 600		TOOL KIT	INC. 405-407
5	405	1	374 319 990		BOX WRENCH	
5	406	1	374 705 999		HEX WRENCH	
5	407	1	374 832 020		HEX WRENCH	4

MH-2556		Index	
---------	--	-------	--

- 1 Pipe, handle, control lever
- 2 Control lever, wire set
- 3 Gear, shear blade
- 4 Engine, starter, clutch, fuel tank, exhaust muffler
- 5 Carburetor, air cleaner, accessories



	Key to symbols
<p>⇒ 1999999 2000000 ⇒ 2003.04 ⇒ TI 2003/07 Acc. = { m Corr.</p>	<p>Production to serial number New part from serial number New part from Year / Month See Technical Information Year / No. Accessories (not included in the delivery inventory) No standard execution, may be used Contains item number Sold by the meter Error correction</p>
	Specifications subject to change without notice