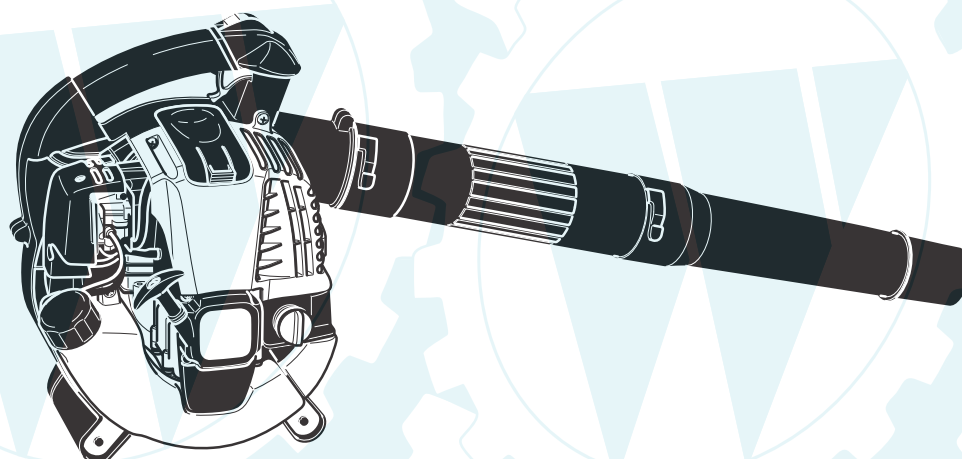


2006-03



PB-250.4

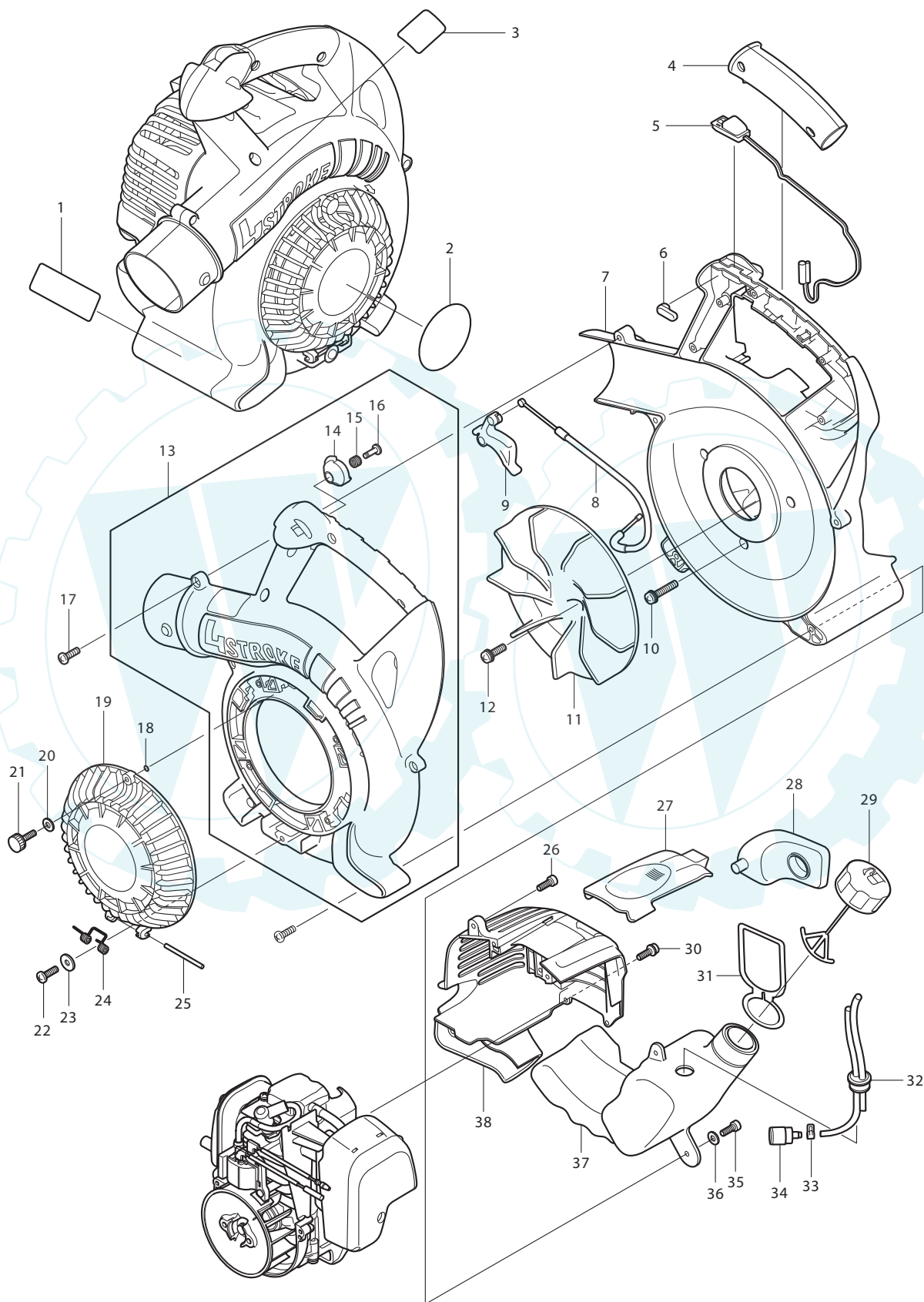
IMPORTANT! - To assure product SAFETY and RELIABILITY, repairs, maintenance or adjustments should be performed by DOLMAR Service Centers, or other qualified service organisations. Always use DOLMAR replacement parts.

DOLMAR



A member of the **Makita** Group

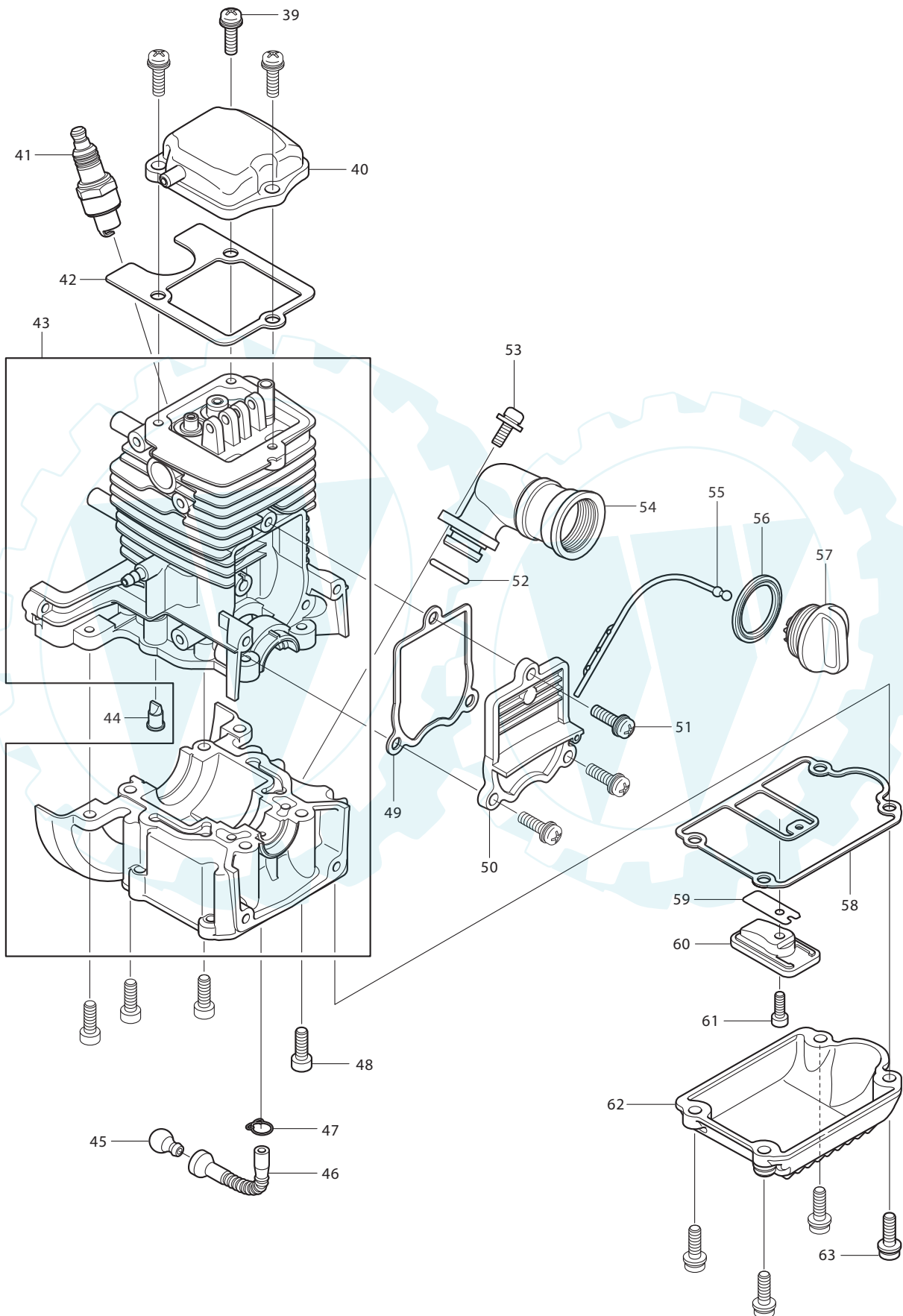
995 700 259 (GB)



PB-250.4



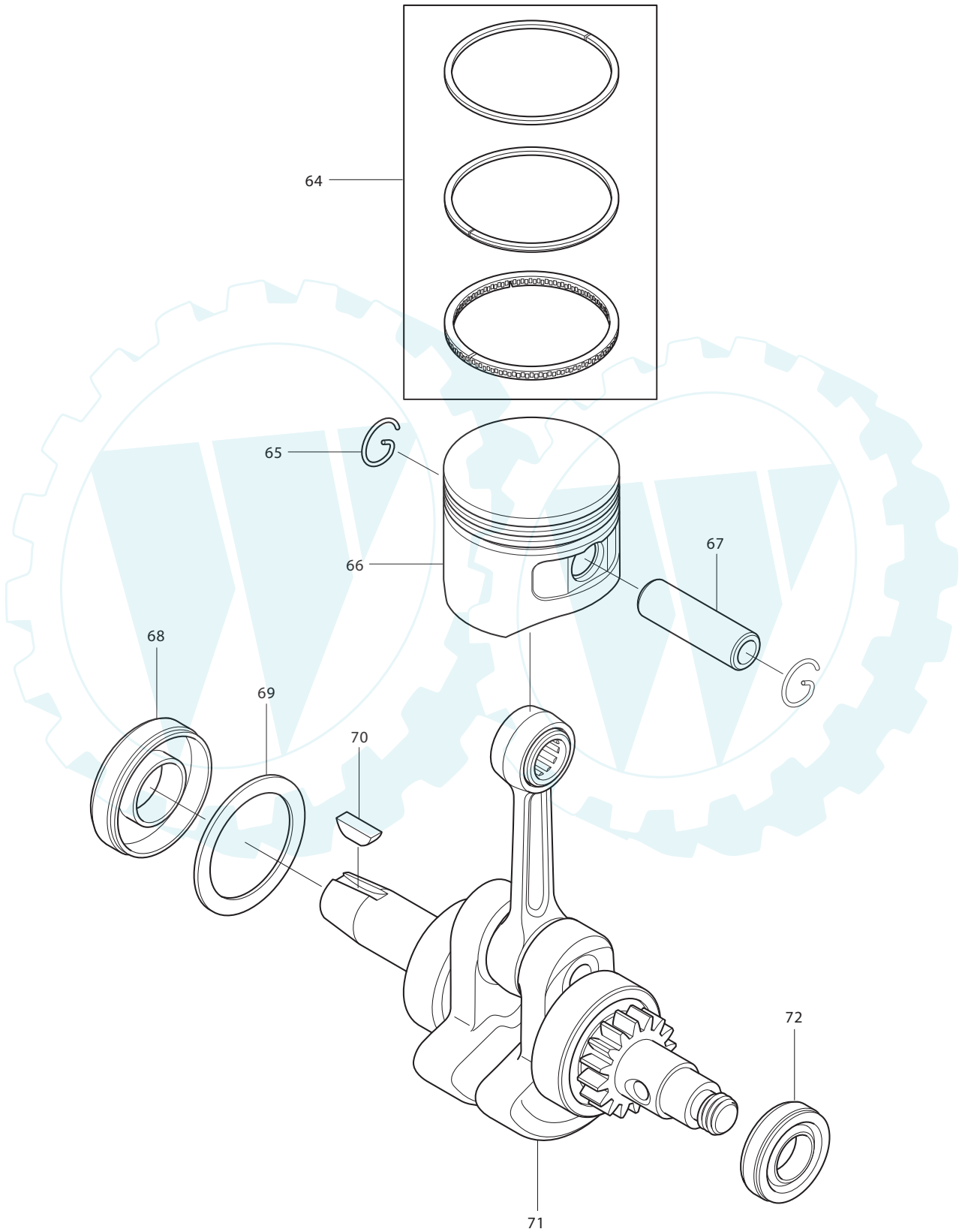
Page	Pos.	PB-250.4	Part No.	Notes	Description	Specifications
1	1	1	388 628 998		CAUTION LABEL	
1	2	1	388 950 240		PROTECTOR LABEL	
1	3	1	388 951 320		CAUTION LABEL	
1	4	1	388 550 000		GRIP	
1	5	1	388 500 100		SWITCH COMPL	
1	6	1	367 150 050		FRICTION PUBBER	
1	7	1	388 101 400		VOLUTE CASE 2 COMPL	
1	8	1	388 002 973		CONTROL CABLE	
1	9	1	388 550 030		THROTTLE LEVER	
1	10	3	388 360 530		SCREW ASS'Y	
1	11	1	388 100 300		IMPELLER COMPL	
1	12	2	377 360 620		SCREW	M6X20
1	13	1	388 101 000		VOLUTE CASE 1 ASSY	INC.14-16
1	14	1	388 550 010		CRUISE LEVER	
1	15	1	388 550 020		SPRING	
1	16	1	388 004 984		TAPPING SCREW	4X16
1	17	10	381 005 976		TAPPING SCREW	5X16
1	18	1	377 150 340		OUTER SNAPRING	
1	19	1	377 150 270		PROTECTOR	
1	20	1	377 150 350		RUBBER WASHER	
1	21	1	377 150 320		SCREW	
1	22	1	381 005 976		TAPPING SCREW	5X16
1	23	1	388 120 500		WASHER	
1	24	1	377 150 300		SPRING	
1	25	1	377 150 310		SHAFT	
1	26	3	381 005 976		TAPPING SCREW	5X16
1	27	1	381 650 010		PLUG COVER	
1	28	1	388 650 160		OIL GUARD	
1	29	1	388 601 700		FUEL TANK CAP ASSY	
1	30	2	381 004 977		SCREW ASSY	M4X16(W,SW)
1	31	1	367 950 150		STRAP	
1	32	1	388 118 995		TUBE	
1	33	1	381 105 999		HOSE CLAMP	
1	34	1	382 650 390		FILTER	
1	35	3	381 005 976		TAPPING SCREW	M4X16(W,SW)
1	36	3	388 100 500		WASHER	
1	37	1	388 350 000		FUEL TANK	
1	38	1	388 650 040		ENGIN COVER	



PB-250.4



Page	Pos.	PB-250.4	Part No.	Notes	Description	Specifications
2	39	3	367 360 516		SCREW ASS'Y	M5X16 (W,SW)
2	40	1	367 100 400		ROCKER COVER COMPLETE	
2	41	1	367 010 995		SPARK PLUG	CMR6A
2	42	1	367 150 080		ROCKER COVER GASKET	
2	43	1	381 101 100		CYLINDER BLOCK SET	
2	44	2	367 150 180		CHECK VALVE	
2	45	1	367 650 030		OIL WEIGHT	
2	46	1	367 650 020		OIL TUBE	
2	47	1	388 105 997		HOSE CLAMP	
2	48	8	367 905 951		SOCKET HEAD BOLT	M5X14
2	49	1	367 150 070		CAMGEAR COVER GASKET	
2	50	1	383 150 050		CAMGEAR COVER	
2	51	3	367 360 514		SCREW ASS'Y	M5X14
2	52	1	388 013 995		O RING	
2	53	1	381 360 512		SCREW ASS'Y	M5X12
2	54	1	388 602 100		OIL PIPE COMPL	
2	55	1	388 650 170		OIL GAUGE	
2	56	1	388 322 999		GASKET	
2	57	1	388 650 150		OIL CAP	
2	58	1	367 650 010		CASE GASKET	
2	59	1	367 150 100		LEAD VALVE	
2	60	1	367 150 110		RETAINER PLATE	
2	61	1	367 904 998		SOCKET HEAD BOLT	M4X10
2	62	1	367 650 000		OIL CASE	
2	63	4	381 360 518		SCREW ASS'Y	

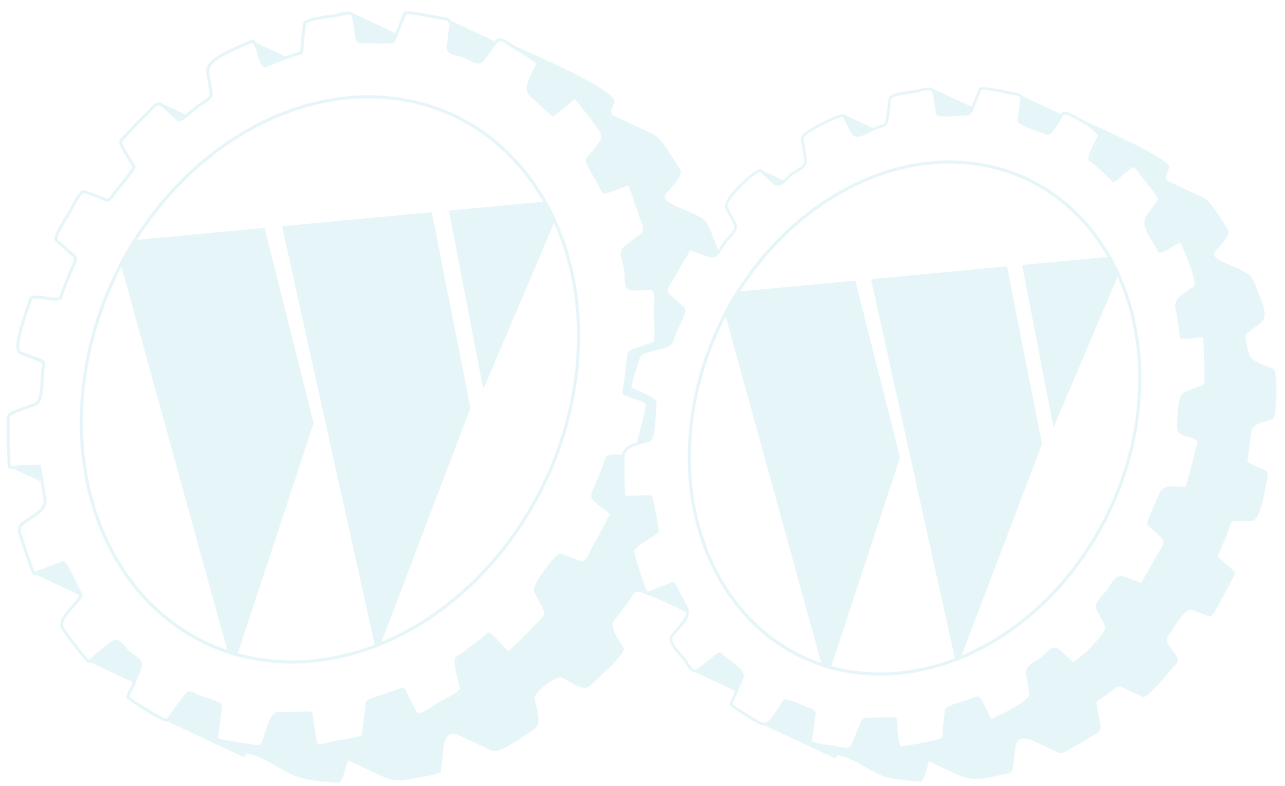


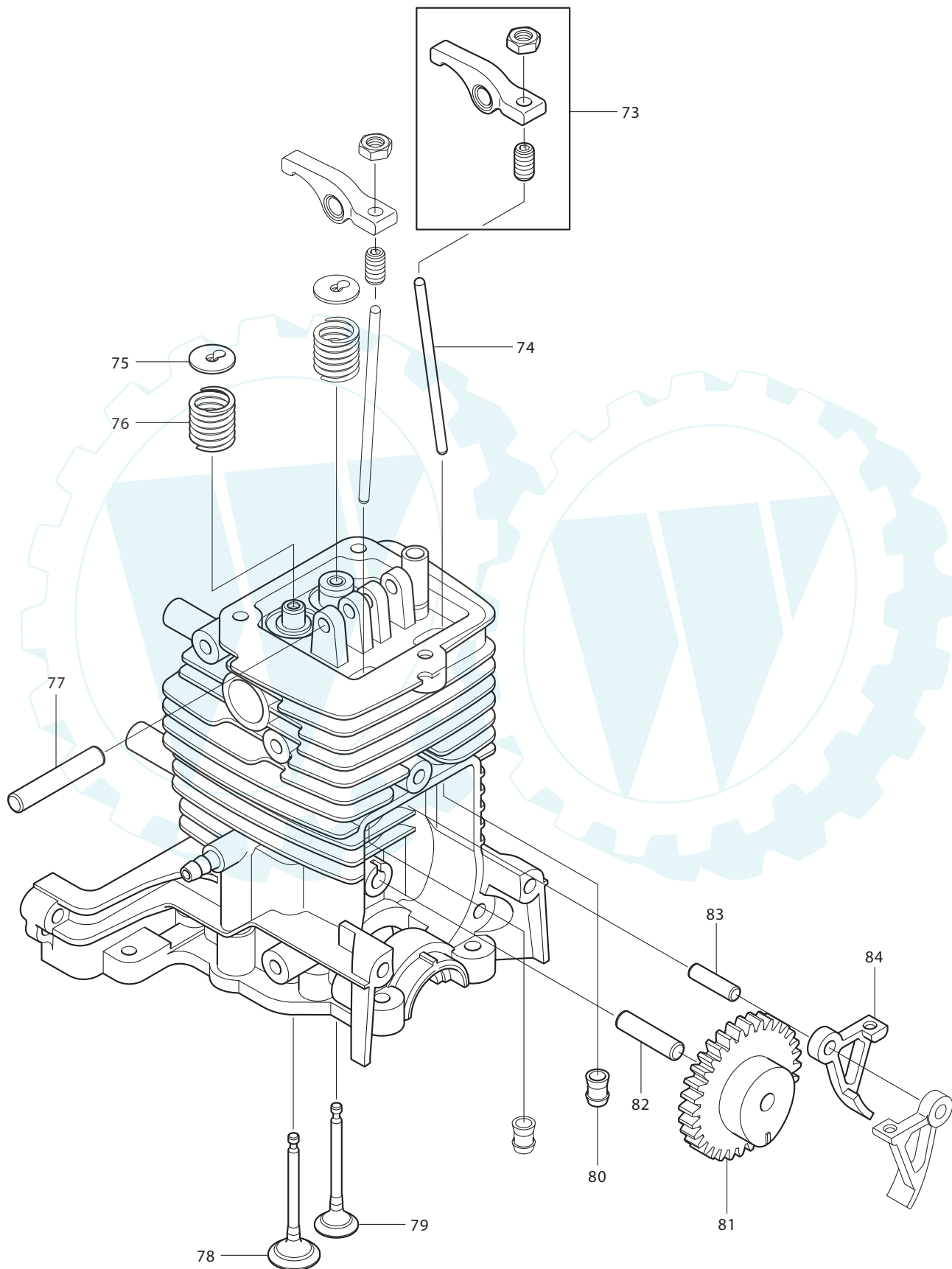
PB-250.4

DOLMAR



Page	Pos.	PB-250.4	Part No.	Notes	Description	Specifications
3	64	1	367 200 400		PISTON RING SET	
3	65	2	388 508 997		CLIP	
3	66	1	367 250 090		PISTON	
3	67	1	388 250 260		PISTON PIN	
3	68	1	367 012 996		OIL SEAL (L)	
3	69	1	381 150 050		CLIP	
3	70	1	381 303 999		WOODRUFF KEY	
3	71	1	367 200 300		CRANK SHAFT ASS'Y	
3	72	1	367 010 997		OIL SEAL (S)	



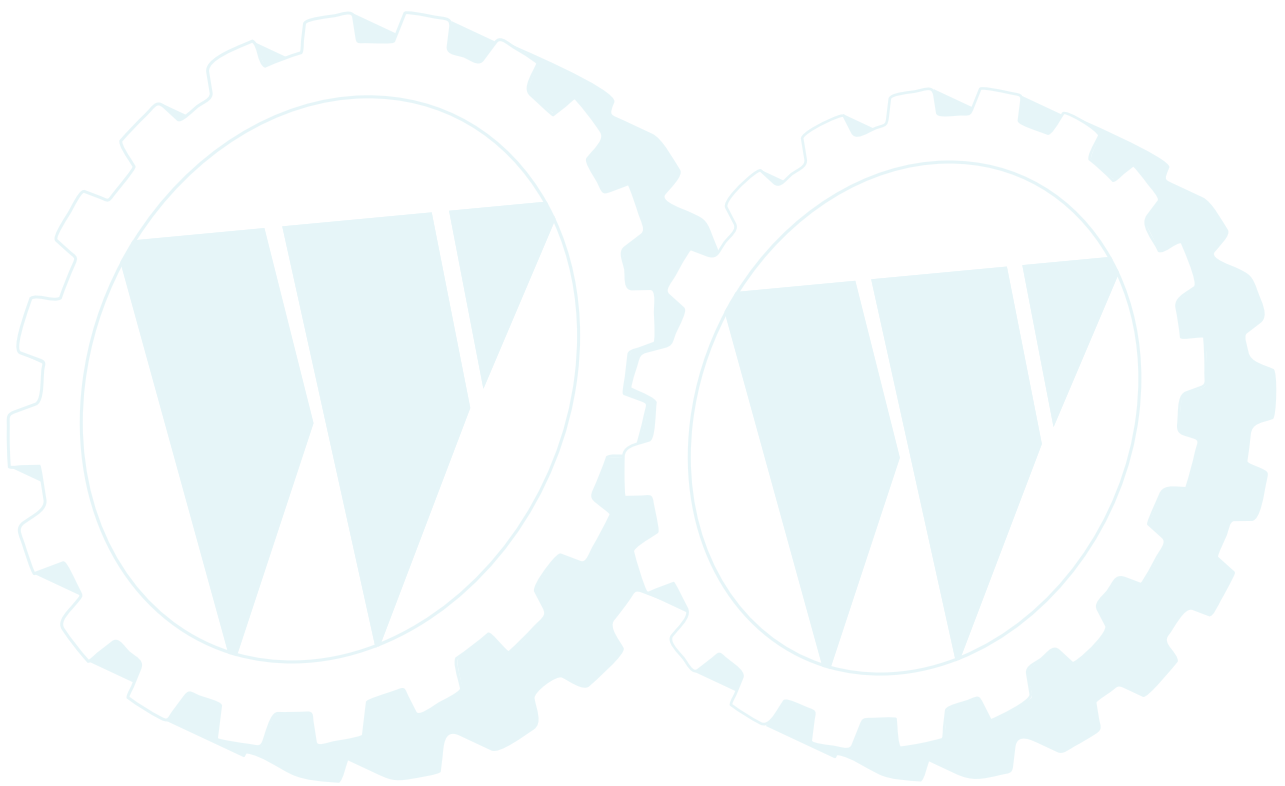


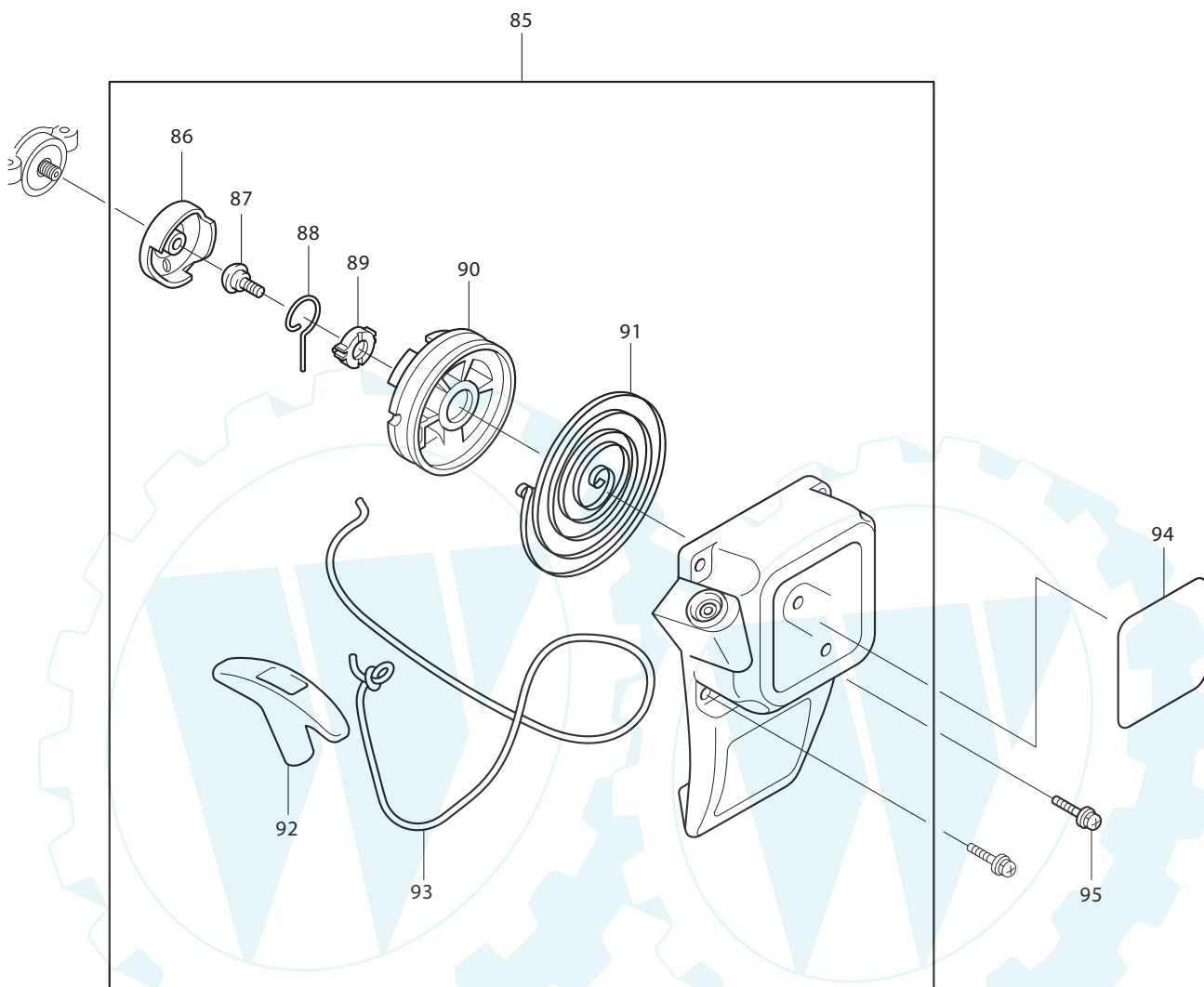
PB-250.4

DOLMAR



Page	Pos.	PB-250.4	Part No.	Notes	Description	Specifications
4	73	2	374 300 200		ROCKER ARM ASS'Y	
4	74	2	367 350 070		PUSH ROD	
4	75	2	367 350 130		SPRING RETAINER	
4	76	2	367 350 120		VALVE SPRING	
4	77	1	367 350 010		ROCKER SHAFT	
4	78	1	367 350 150		INTAKE VALVE	
4	79	1	367 350 140		EXHAUST VALVE	
4	80	2	367 150 140		SPACER	
4	81	1	382 300 300		CAM GEAR ASS'Y	
4	82	1	367 350 050		CAM GEAR SHAFT	
4	83	1	367 350 060		CAM LIFTER SHAFT	
4	84	2	367 350 000		CAM LIFTER	



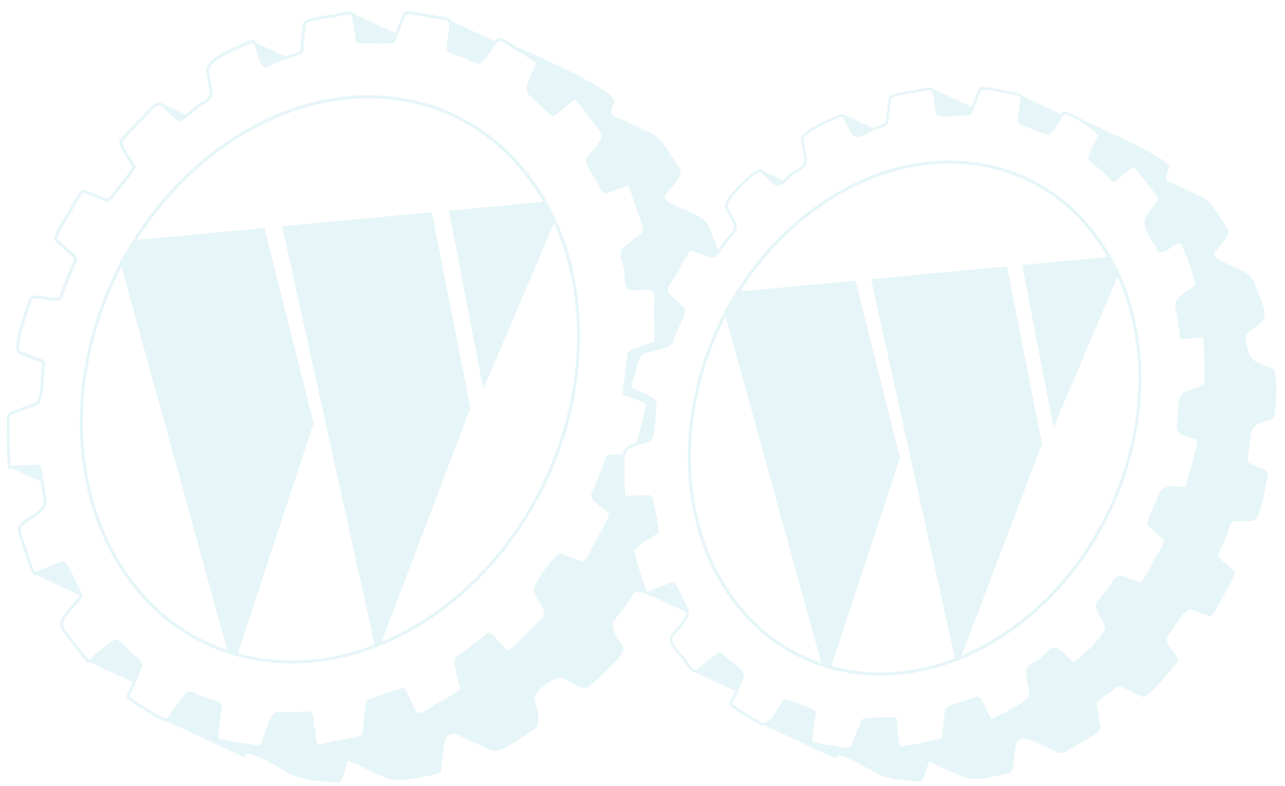


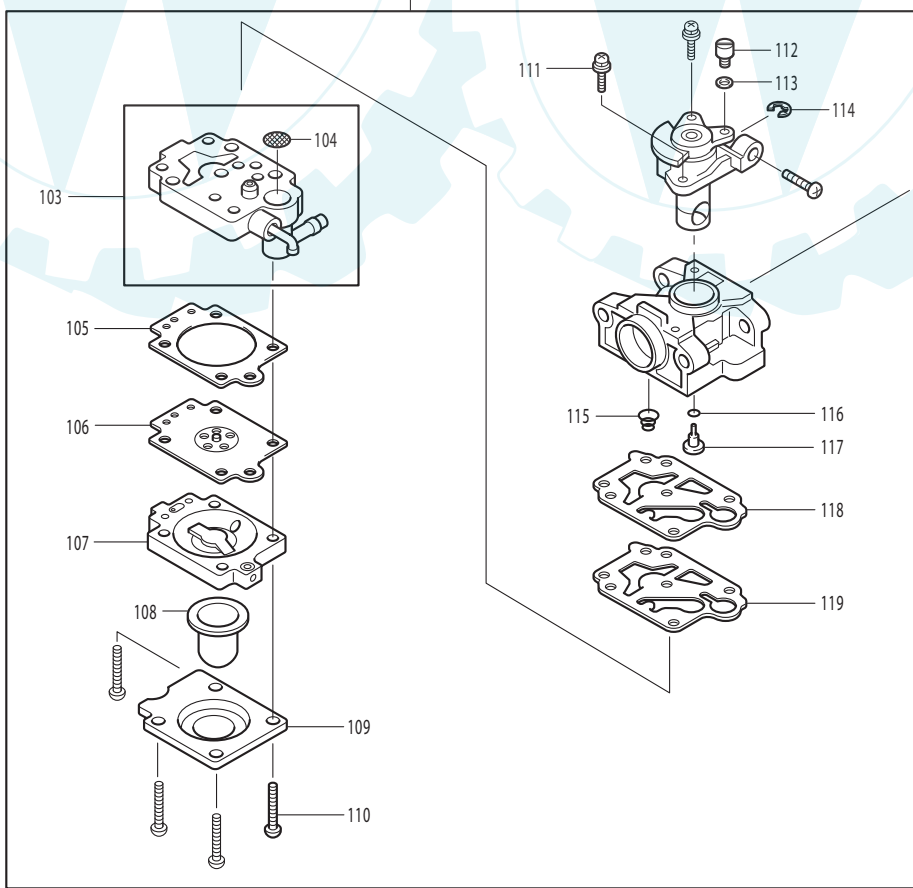
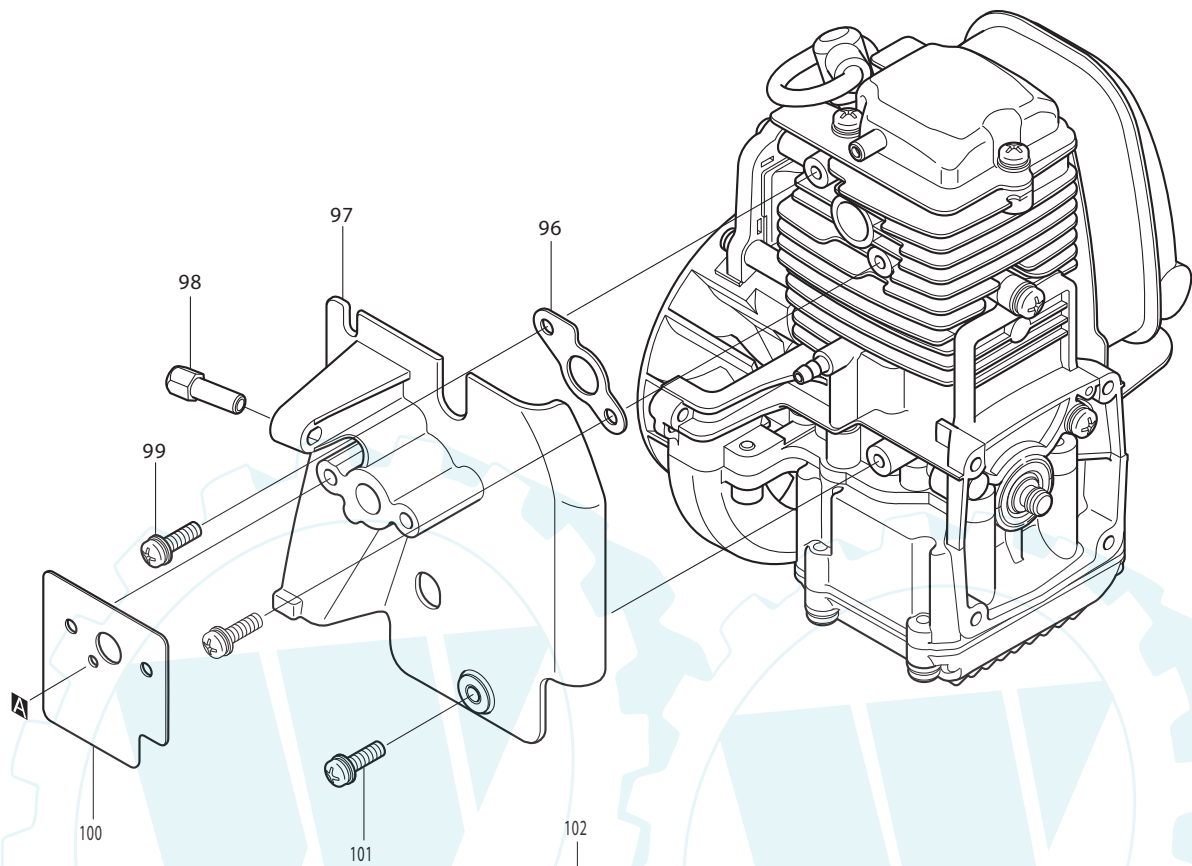
PB-250.4

DOLMAR



Page	Pos.	PB-250.4	Part No.	Notes	Description	Specifications
5	85	1	367 500 100		STARTER COVER ASS'Y	INC.86-93
5	86	1	367 550 000		PULLEY	
5	87	1	367 500 206		SET SCREW	
5	88	1	367 500 210		SWING ARM	
5	89	1	367 500 211		COLLAR	
5	90	1	367 500 103		REEL	
5	91	1	381 500 203		SPIRAL SPRING	
5	92	1	388 500 402		HANDLE	
5	93	1	367 500 105		STARTER ROPE	
5	94	1	388 950 250		MODEL LABEL	
5	95	2	381 004 977		SCREW ASSY	M4X16(W,SW)



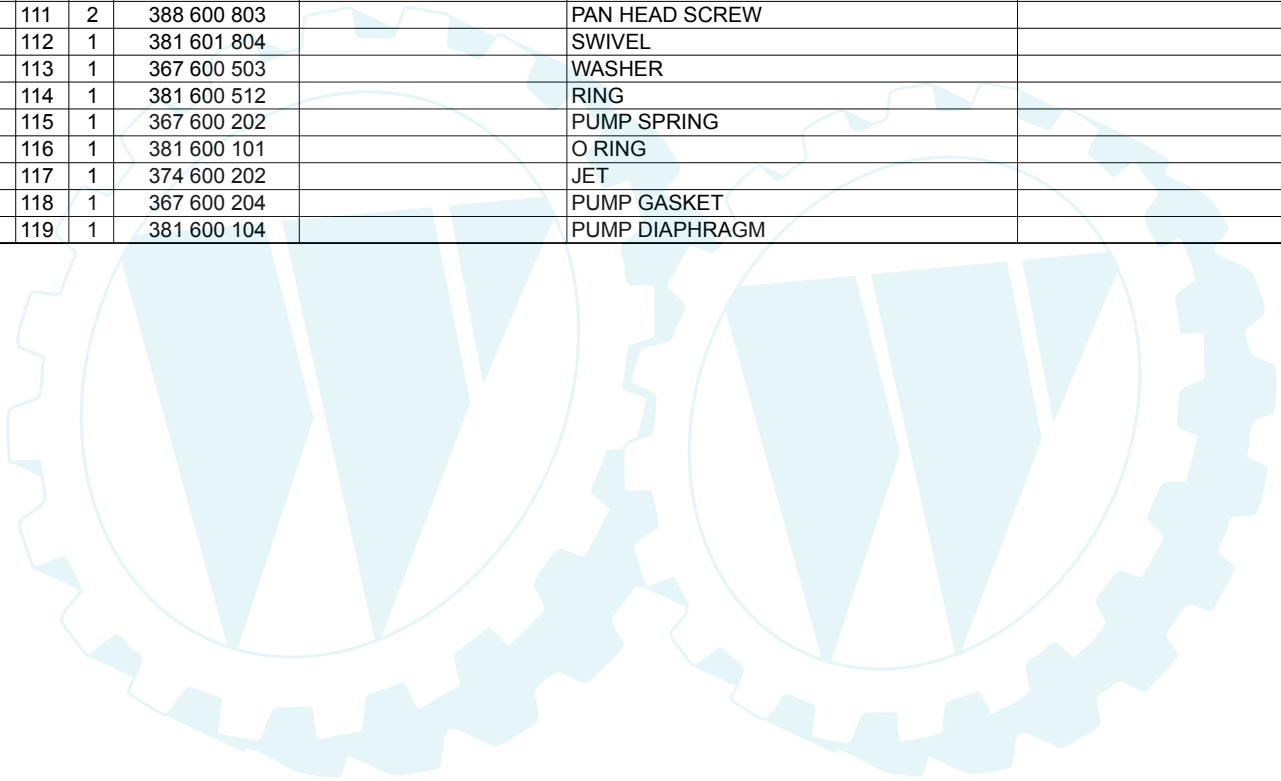


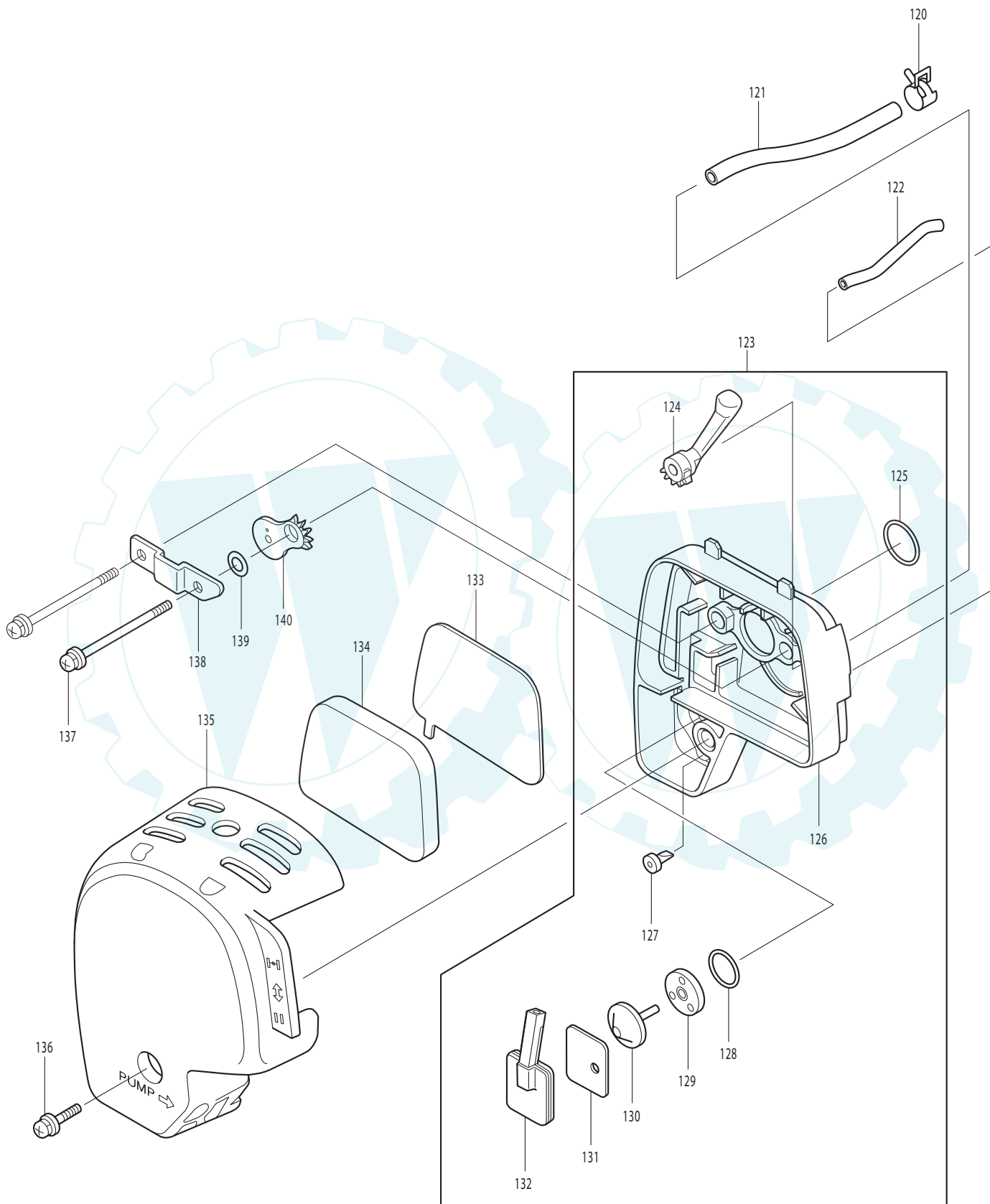
PB-250.4

DOLMAR



Page	Pos.	PB-250.4	Part No.	Notes	Description	Specifications
6	96	1	367 350 180		INSULATOR GASKET	
6	97	1	381 301 300		INSULATOR COMPL	
6	98	1	367 906 997		ADJUST SCREW	
6	99	2	381 360 518		SCREW ASS'Y	
6	100	1	367 350 190		CARBURETOR GASKET	
6	101	1	367 360 514		SCREW ASS'Y	M5X14
6	102	1	388 602 200		CARBURETOR	INC.103,105-119
6	103	1	374 600 206		PUMP BODY ASS'Y	INC.104
6	104	1	381 600 401		INLET SCREEN	
6	105	1	381 604 604		METERING DIAPHRAGM GASKET	
6	106	1	367 600 801		METERING DIAPHRAGM ASS'Y	
6	107	1	374 604 614		AIR PURGE BODY ASS'Y	
6	108	1	381 600 115		PRIMER PUMP	
6	109	1	374 604 605		PRIMER PUMP COVER	
6	110	4	381 604 601		PUMP COVER SCREW	
6	111	2	388 600 803		PAN HEAD SCREW	
6	112	1	381 601 804		SWIVEL	
6	113	1	367 600 503		WASHER	
6	114	1	381 600 512		RING	
6	115	1	367 600 202		PUMP SPRING	
6	116	1	381 600 101		O RING	
6	117	1	374 600 202		JET	
6	118	1	367 600 204		PUMP GASKET	
6	119	1	381 600 104		PUMP DIAPHRAGM	



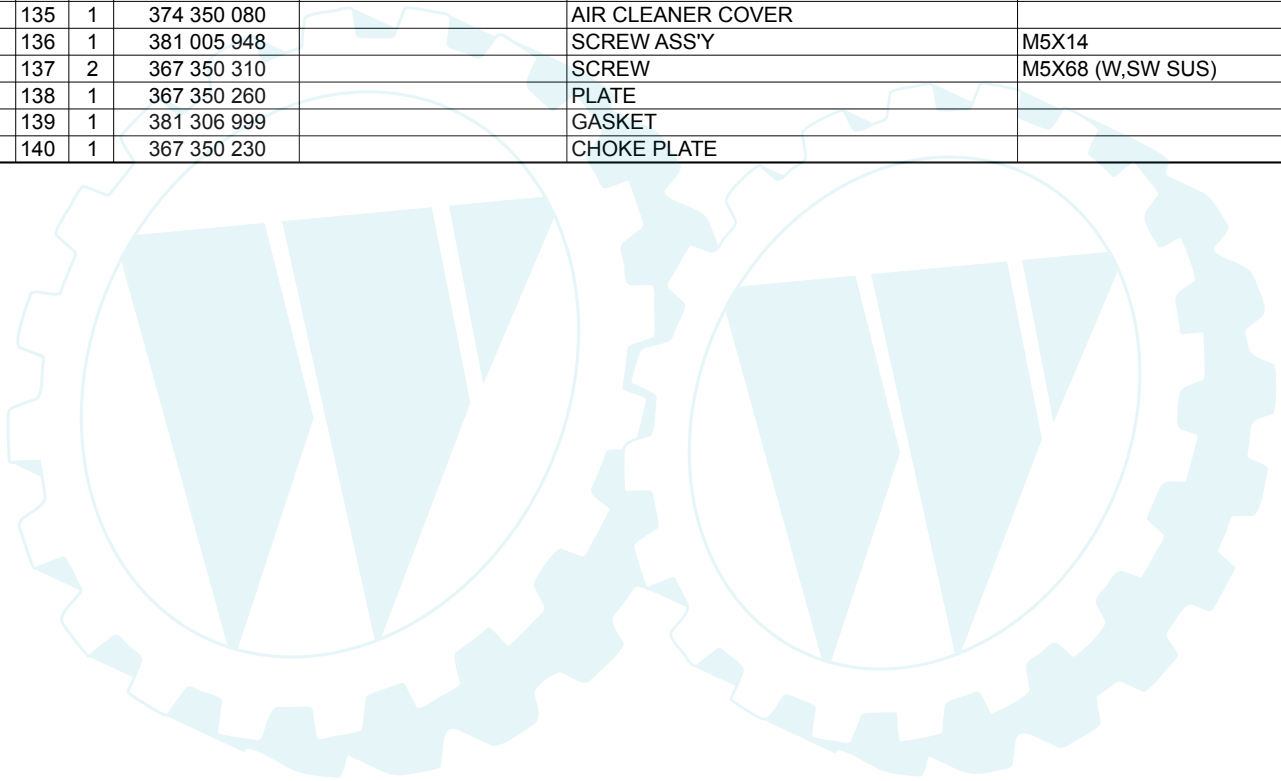


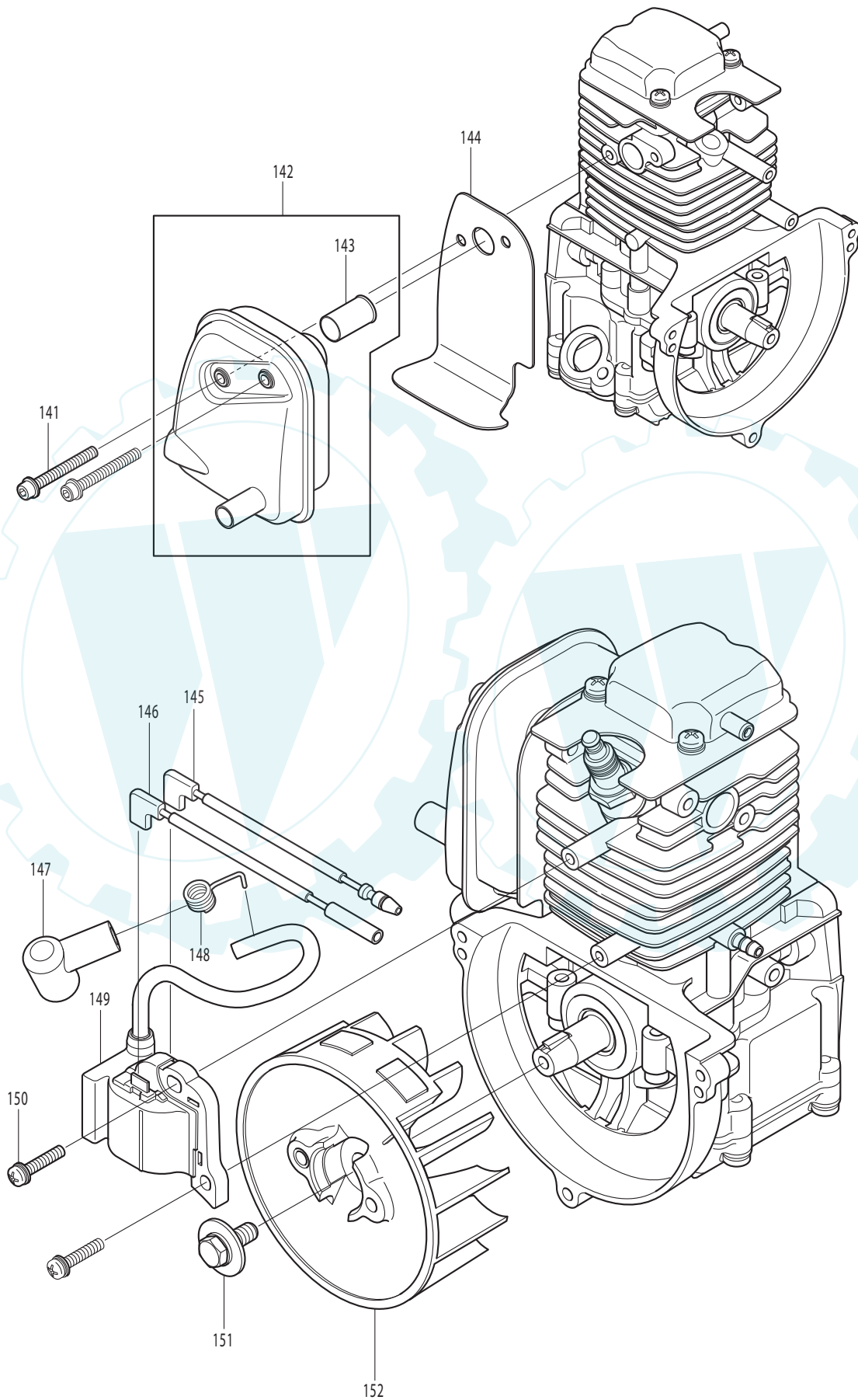
PB-250.4

DOLMAR



Page	Pos.	PB-250.4	Part No.	Notes	Description	Specifications
7	120	1	382 108 001		HOSE CLAMP	
7	121	1	367 150 090		BREATHER PIPE	
7	122	1	374 350 210		PIPE	
7	123	1	374 300 100		CLEANER PLATE ASS'Y	124-132
7	124	1	367 350 220		CHOKE LEVER	
7	125	1	367 015 999		O RING	P15
7	126	1	374 300 500		AIR CLEANER PLATE COMPLETE	
7	127	1	367 350 240		CHECK VALVE (1)	
7	128	1	367 013 997		O RING	P14
7	129	1	367 350 250		CHECK VALVE PLATE	
7	130	1	367 650 070		CHECK VALVE	
7	131	1	367 350 350		GASKET SEPARATOR	
7	132	1	367 350 161		SEPARATOR PLATE	
7	133	1	374 350 090		AIR CLEANER ELEMENT	
7	134	1	374 350 120		AIR CLEANER ELEMENT	
7	135	1	374 350 080		AIR CLEANER COVER	
7	136	1	381 005 948		SCREW ASS'Y	M5X14
7	137	2	367 350 310		SCREW	M5X68 (W,SW SUS)
7	138	1	367 350 260		PLATE	
7	139	1	381 306 999		GASKET	
7	140	1	367 350 230		CHOKE PLATE	



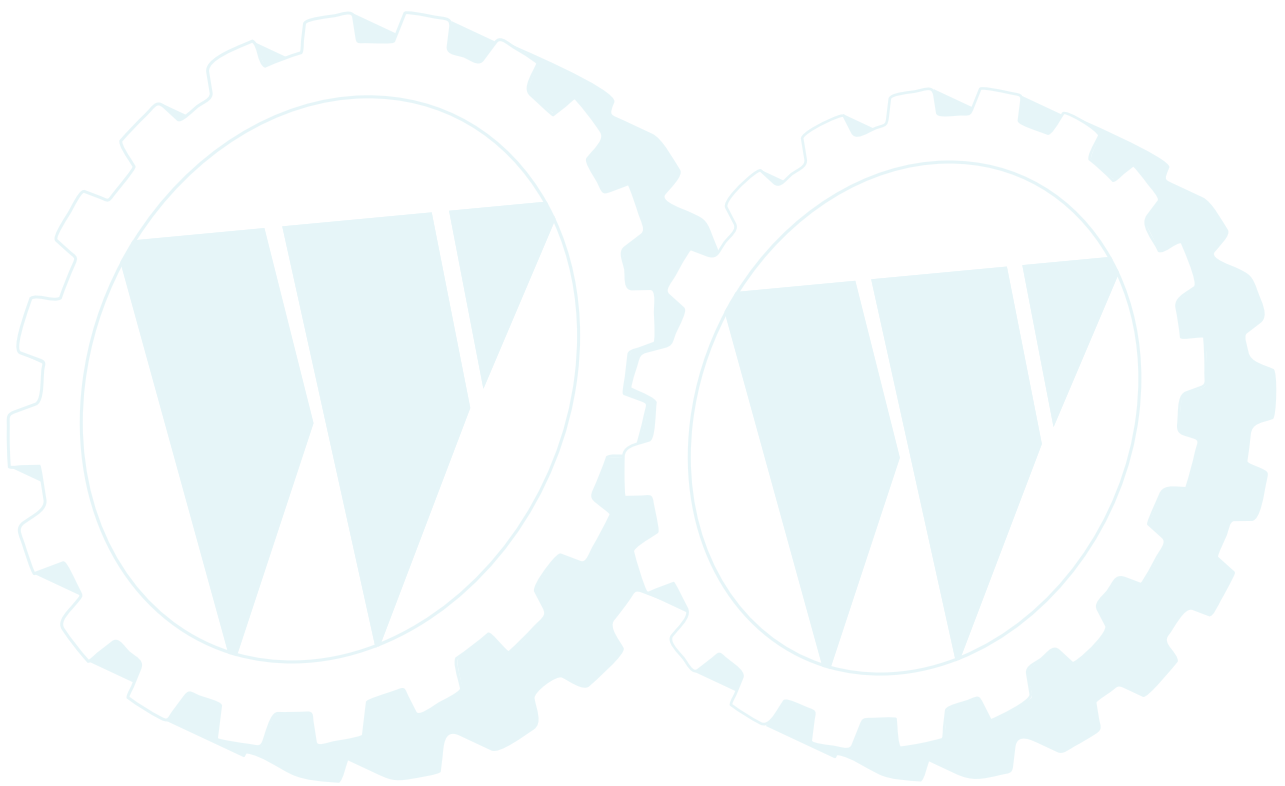


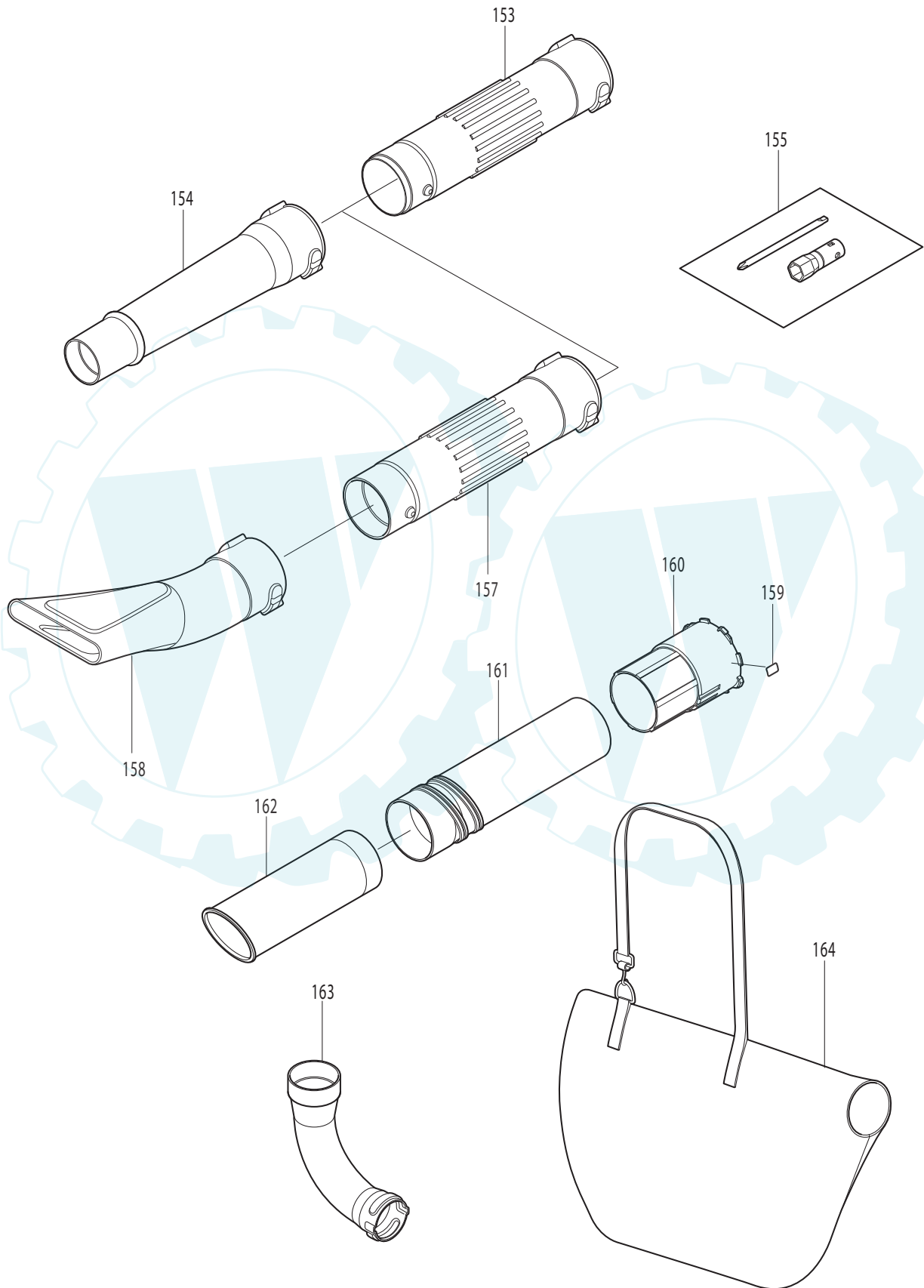
PB-250.4

DOLMAR



Page	Pos.	PB-250.4	Part No.	Notes	Description	Specifications
8	141	2	367 905 952		SOCKET HEAD BOLT	M5X40
8	142	1	388 301 400		EXHAUST MUFFLER	INC.143
8	143	1	388 300 801		SPARK ARRESTER	
8	144	1	381 350 430		MUFFLER GASKET	
8	145	1	388 701 000		WIER 1	
8	146	1	388 701 100		WIRE 2	
8	147	1	367 750 010		PLUG CAP	
8	148	1	377 400 993		PLUG CAP SPRING	
8	149	1	367 701 201		IGNITION COIL	
8	150	2	388 370 420		SCREW ASS'Y	M4X20
8	151	1	388 006 994		BOLT ASSEMBLY	M6X16(W,SW)
8	152	1	388 750 020		FLYWHEEL	



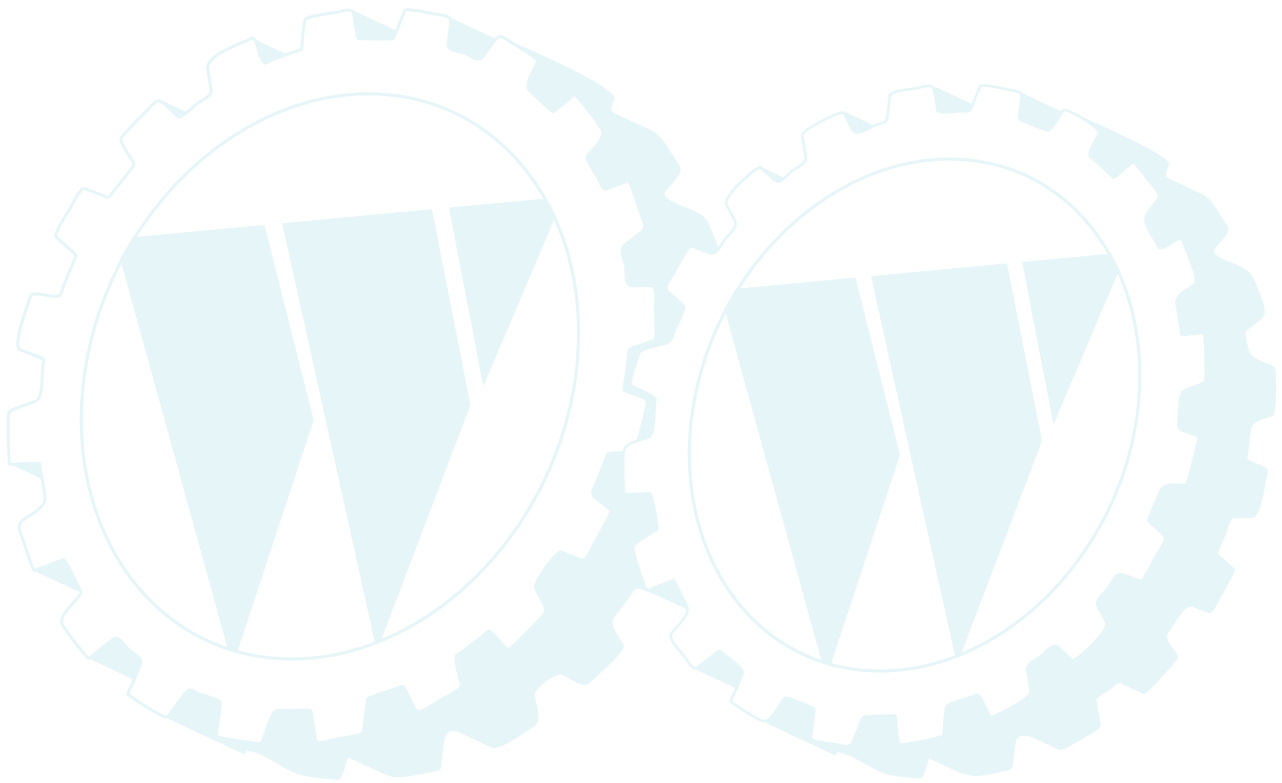


PB-250.4

DOLMAR



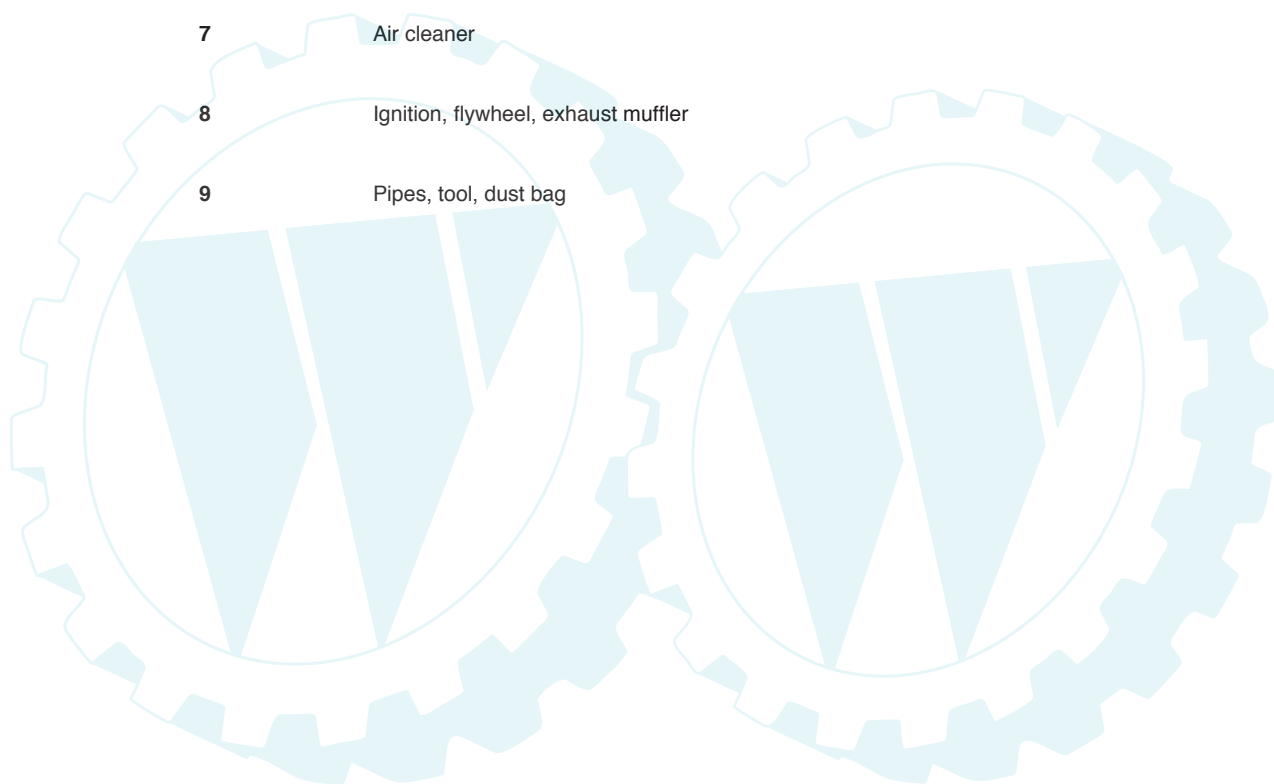
Page	Pos.	PB-250.4	Part No.	Notes	Description	Specifications
9	153	1	381 950 090		PIPE	
9	154	1	388 950 100		END PIPE	
9	155	1	388 905 900		TOOL	
9	157	1	381 950 090	ACC.	PIPE	
9	158	1	388 950 110	ACC.	END PIPE	
9	159	1	388 950 480	ACC.	MARK LABEL 4	
9	160	1	388 950 360	ACC.	PIPE 1	
9	161	1	388 950 370	ACC.	PIPE 2	
9	162	1	388 950 380	ACC.	PIPE 3	
9	163	1	377 950 280	ACC.	ELBOW	
9	164	1	377 900 600	ACC.	DUST BAG	



PB-250.4		Index	
----------	--	-------	--

- 1 Volute case, fuel tank
- 2 Crankcase, cylinder, oil case
- 3 Crankshaft, piston
- 4 Cam gear, valves
- 5 Starter
- 6 Carburetor

- 7 Air cleaner
- 8 Ignition, flywheel, exhaust muffler
- 9 Pipes, tool, dust bag



	Key to symbols
<p>⇒ 1999999 2000000 ⇒ 2003.04 ⇒ TI 2003/07 Acc. = { m Corr.</p>	<p>Production to serial number New part from serial number New part from Year / Month See Technical Information Year / No. Accessories (not included in the delivery inventory) No standard execution, may be used Contains item number Sold by the meter Error correction</p>
	<p>Specifications subject to change without notice</p>