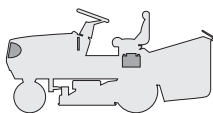
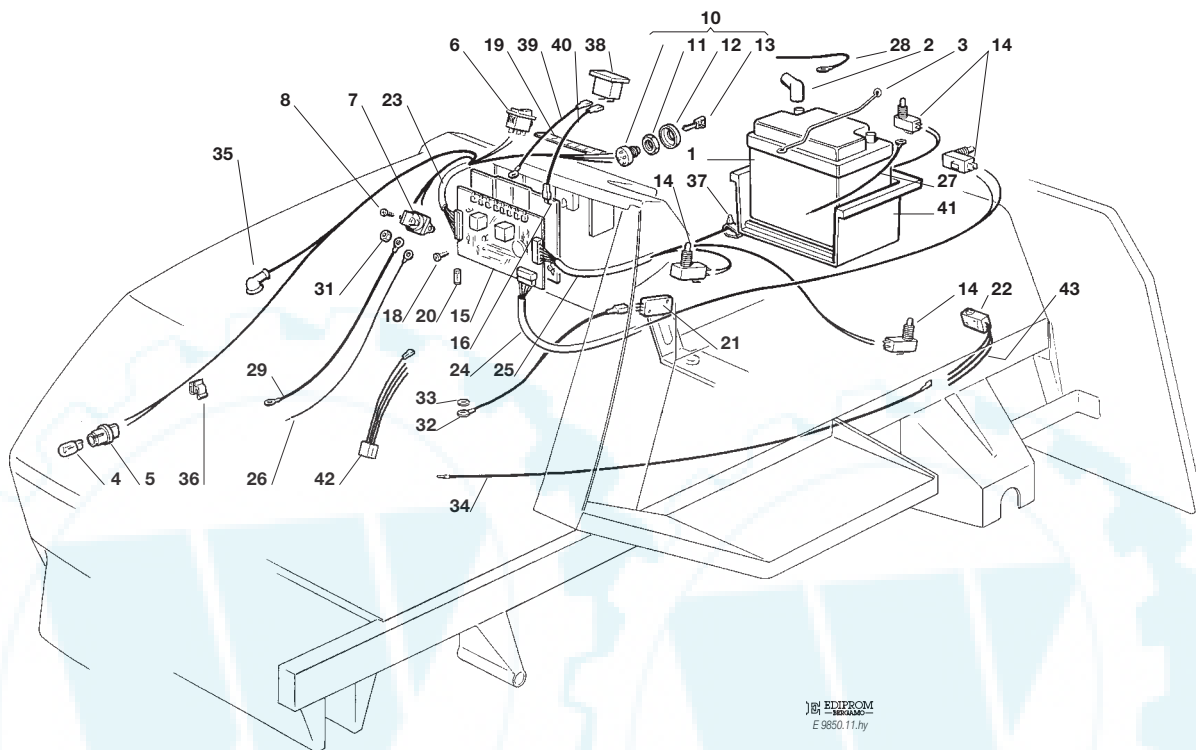


TC102	<b>TC102 hy.</b>	<b>TC122 hy.</b>		<b>PARTI ELETTRICHE</b> <b>ELECTRICAL PARTS</b> <b>PARTIES ELECTRIQUES</b> <b>ELETRISCHETEILE</b>	1999
TCP102	<b>TCP102 hy.</b>	<b>TCP122 hy.</b>			<b>012Y.0</b>
					1 / 2



EMERSON  
E 9850.11.hy

N.	CODE	Q.TY	DESCRIZIONE	DESCRIPTION	DESCRIPTION	BESCHREIBUNG
1	18120002/1	1	BATTERIA 12 V - 18 Ah	BATTERY 12 V - 18 Ah	BATTERIE 12 V - 18 Ah	BATTERIE 12 V - 18 Ah
2	18564862/0	1	PROTEZIONE	PROTECTION	PROTECTION	SCHUTZ
3	25430200/0	2	MOLLA	SPRING	RESSORT	FEDER
4	18459100/0	2	LAMPADA	FARILAMP FOR LIGHTS	LAMPE POUR PHARES	LAMPENFASSUN
5	33500030/0	2	PORTALAMPADE	LAMP HOLDER	DOUILLE DE LAMPE	SCHWEINWERFERLAMPE
6	18450060/0	1	INTERRUTTORE	FARILAMP SWITCH	INTERRUPTEUR PHARES	LICHTEN SCHALTER
7	18736110/0	1	SOLENOIDE	SOLENOID	SOLENOIDE	SOLENOID
8	12735110/0	2	VITE	SCREW	VIS	SCHRAUBE
10	18450065/1	1	INTERRUTTORE AVVIAMENTO	STARTING SWITCH	INTERRUPTEUR DEMARRAGE	SCHALTER
11	18400861/0	1	GHIERA	SCREWED RING	EMBOUT	NUTMUTTER
12	18565351/0	1	PROTEZIONE GHIERA	SCREWED RING PROTECTION	PROTECTION EMBOUT	NUTMUTTER SCHUTZ
13	18210016/0	1	CHIAVE AVVIAMENTO	STARTING KEY	CLEF A DEMARRAGE	SCHLÜSSEL FÜR START
14	19410603/1	4	MICRO INTERRUTTORE	MICRO	MICRO	MIKRO
15	***	1	SCHEDA ELETTRONICA	ELECTRONIC CARD	CARTE ELECTRONIQUE	ELEKTRONISCHE KARTE
16	25600007/0	1	PROTEZIONE SCHEDA (TC)	CARD PROTECTION (TC)	PROTECTION CARTE (TC)	KARTESCHUTZ (TC)
16	25600009/0	1	PROTEZIONE SCHEDA (TCP)	CARD PROTECTION (TCP)	PROTECTION CARTE (TCP)	KARTESCHUTZ (TCP)
18	12735105/0	3	VITE	SCREW	VIS	SCHRAUBE
19	25420000/1	1	MEMBRANA (6 FUNZ.)	CHECK CONTROLL (6 FUNCTIONS)	PANNEAU DE CONTROLE (6 INDICATIONS)	KONTROLLTAFEL (6 ANGABEN)
	25420001/1	1	MEMBRANA (8 FUNZ.)	CHECK CONTROLL (8 FUNCTIONS)	PANNEAU DE CONTROLE (8 INDICATIONS)	KONTROLLTAFEL (8 ANGABEN)
20	33340033/0	1	FUSIBILE 6,3 Amp. T	FUSE 6.3 Amp. T	FUSIBLE 6,3 Amp. T	SICHERUNG 6,3 Amp. T
21	19410609/0	1	INTERRUT. POS. FOLLE	NEUTRAL SWITCH	INTERRUP. POINT MORT	LEERLAUF SCHALTER
22	19410605/1	1	MICRO SACCO PIENO MICROSWITCH	FULL GRASSCATCHER	MICRO BAC PLEIN	VOLLKORB VORRICHTUNG
23	←	1	ASS. CABLAGGIO	CABLES ASS.Y	ENS. CABLAGES	KABELSATZ
	82040046/0		12,5 - 13 HP B&S	12,5 - 13 HP B&S	12,5 - 13 HP B&S	12,5 - 13 HP B&S
			13 - 15 HP TECUMSEH	13 - 15 HP TECUMSEH	13 - 15 HP TECUMSEH	13 - 15 HP TECUMSEH
	82040035/0		16 - 18 HP B&S	16 - 18 HP B&S	16 - 18 HP B&S	16 - 18 HP B&S
	82040034/0		15,5HP B&S	15,5HP B&S	15,5HP B&S	15,5HP B&S





N.	CODE	Q.TY	DESCRIZIONE	DESCRIPTION	DESCRIPTION	BESCHREIBUNG
24	82040004/1	1	ASS. CABLAGGIO 12,5 - 13 - 15,5 HP B&S 13 - 15 HP TECUMSEH	CABLES ASS.Y 12,5 - 13 - 15,5 HP B&S 13 - 15 HP TECUMSEH	ENS. CABLAGES 12,5 - 13 - 15,5 HP B&S 13 - 15 HP TECUMSEH	KABELSATZ 12,5 - 13 - 15,5 HP B&S 13 - 15 HP TECUMSEH
	82040005/2		16 - 18 HP B&S	16 - 18 HP B&S	16 - 18 HP B&S	16 - 18 HP B&S
25	***	1	ASS. CABLAGGIO	CABLES ASS.Y	ENS. CABLAGES	KABELSATZ
26	25065003/0	1	CAVO RICARICA	CABLE	CABLES	KABEL
27	25065004/0	1	CAVO MASSA BATTERIA	CABLE	CABLES	KABEL
28	25065001/0	1	CAVO BATT. SOLENOIDE	CABLE	CABLES	KABEL
29	25065002/0	1	CAVO SOLENOIDE MOT.	CABLE	CABLES	KABEL
30	12583500/0	2	GROWER	GROWER	GROWER	GROWER
31	12360352/0	2	DADO	NUT	ECROU	MUTTER
32	25065015/0	1	CAVO MASSA	CABLE	CABLES	KABEL
33	12540260/0	1	RONDELLA	WASHER	RONDELLE	SCHEIBE
34	***	1	CAVO COLL. MICRO	CABLE	CABLES	KABEL
35	18564861/0	1	CAPPUCCIO PROTEZIONE	PROTECTION	PROTECTION	SCHUTZ
36	33320505/0	1	FERMACAVO	FAIRLED	FIXATION CABLE	KABELBEFESTIGUNG
37	33320506/0	2	FERMACAVO	FAIRLED	FIXATION CABLE	KABELBEFESTIGUNG
38	18230000/0	1	CONTAORE (TCP)	HOUR COUNTER (TCP)	COMPTE-HEURS (TCP)	BETRIEBESSTUNDENZÄHLER (TCP)
39	25065009/0	1	CAVO (TCP)	CABLE (TCP)	CABLES (TCP)	KABEL (TCP)
40	25065010/1	1	CAVO (TCP)	CABLE (TCP)	CABLES (TCP)	KABEL (TCP)
41	25785010/0	1	SUPPORTO BATTERIA	BATTERY HOLDER	SUPPORT BATTERIE	BATTERIE STÜTZE
42	82180025/0	1	INTERFACCIA	INTERFACE	INTERFACE	INTERFACE
43	25065023/0	1	CAVO	CABLE	CABLES	KABEL

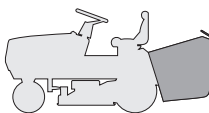
\*\*\* PER I PARTICOLARI CONTRASSEGNA TI, VERIFICARE L'ALLESTIMENTO DEL TRATTO RINO:  
 FOR THE MARKED ITEMS, PLEASE CHECK TRACTOR'S VERSION:  
 POUR LES PIÈCES MARQUÉES, VÉRIFIEZ LA VERSION DE L'AUTO PORTEE:  
 FÜR KENNENGEZEICHNETE TEILE, BITTE PRÜFEN SIE DER AUFSITZMÄHERAUSSTATTUNG:

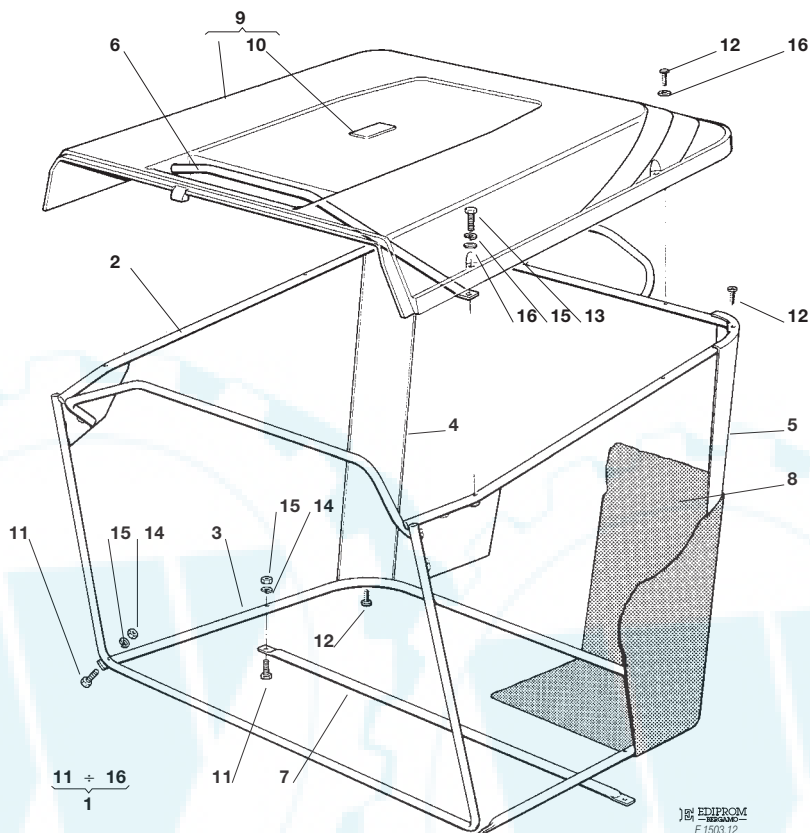
a) Motore 12,5 - 13 - 15,5 HP B&S, 13 - 15 - 17 HP Tecumseh + Interruttore posizione folle (21) + Micro sacco pieno (22)  
 Engine 12,5 - 13 - 15,5 HP B&S, 13 - 15 - 17 HP Tecumseh + Neutral switch (21) + Full grasscatcher micriswitch (22)  
 Moteur 12,5 - 13 - 15,5 HP B&S, 13 - 15 - 17 HP Tecumseh + Interrupteur point mort (21) + Micro bac plein (22)  
 Motor 12,5 - 13 - 15,5 HP B&S, 13 - 15 - 17 HP Tecumseh + Leerlaufstellung Schalter (21) + Vollkorb Vorrichtung (22)

15	25722406/0	1	SCHEDA ELETTRONICA 6 FUNZIONI	ELECTRONIC CARD 6 FUNCTIONS	CARTE ELECTRONIQUE 6 INDICAT	ELEKTRONISCHE KARTE 6 ANGABEN
25	82040029/1	1	ASS. CABLAGGIO	CABLES ASS.Y	ENS. CABLAGES	KABELSATZ
34	25065011/0	1	CAVO COLL. MICRO	CABLE	CABLES	KABEL

b) Motore 16 - 18 HP B&S + Interruttore posizione folle (21) + Micro sacco pieno (22)  
 Engine 16 - 18 HP B&S + Neutral switch (21) + Full grasscatcher micriswitch (22)  
 Moteur 16 - 18 HP B&S + Interrupteur point mort (21) + Micro bac plein (22)  
 Motor 16 - 18 HP B&S + Leerlaufstellung Schalter (21) + Vollkorb Vorrichtung (22)

15	25722407/0	1	SCHEDA ELETTRONICA 8 FUNZIONI	ELECTRONIC CARD 8 FUNCTIONS	CARTE ELECTRONIQUE 8 INDICAT	ELEKTRONISCHE KARTE 8 ANGABEN
25	82040028/1	1	ASS. CABLAGGIO	CABLES ASS.Y	ENS. CABLAGES	KABELSATZ
34	25065011/0	1	CAVO COLL. MICRO	CABLE	CABLES	KABEL

<b>TC102</b>	<b>TC102 hy.</b>	<b>TC122 hy.</b>	 <b>SACCO GRASSCATCHER BAC AUFFANGSACK</b>	1999
<b>TCP102</b>	<b>TCP102 hy.</b>	<b>TCP122 hy.</b>		<b>011.0</b>
				1 / 2



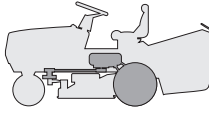
N.	CODE	Q.TY	DESCRIZIONE	DESCRIPTION	DESCRIPTION	BESCHREIBUNG
1	82180000/2	1	DOTAZIONE SACCO	GRASS-BOX OUTFIT	DOTATION BAC	KORBAUS TATTUNG
2	82800008/0	1	TELAIO SUP.	UPPER FRAME	CHASSIS SUPERIEUR	OBERERRAHMEN
3	82800002/0	1	TELAIO INF.	LOWER FRAME	CHASSIS INFERIEUR	UNTERERRAHMEN
4	25032001/1	1	ANGOLARE DX	RIGHT ANGULAR SUPPORT	SUPPORT ANGULAIRE	RECHTER HALTER
				DROITE		
5	25032002/1	1	ANGOLARE SX	LEFT ANGULAR SUPPORT	SUPPORT ANGULAIRE	LINKER HALTER
				GAUCHE		
6	82394001/0	1	MANIGLIA ANT.	FRONT HANDLE	POIGNEE ANTERIEURE	VORDERGRIFF
7	82650038/0	1	RINFORZO INF.	LOWER STIFFENING	RENFORCEMENT SUPER.	OBERE VERSTAERKUNG
8	82106000/1	1	SACCO	GRASSCATCHER	SAC	SACK
9	☛	1	COPERTURA SACCO (TC)	GRASSCAT. PLASTIC (TC)	SAC COUVERTURE (TC)	SACKABDECKUNG (TC)
	82110158/1		ROSSA	RED	ROUGE	ROT
	82110159/0		VERDE	GREEN)	VERT	GRÜN
	82110160/0		GIALLA	YELLOW	JAUNE	GELB
	82110161/0		BLU	BLUE	BLEU	BLAU
☛	1	COPERTURA SACCO (TCP)	GRASSCAT. PLASTIC (TCP)	SAC COUVERTURE (TCP)	SACKABDECKUNG (TCP)	
	82110170/0		ROSSA	RED	ROUGE	ROT
	82110171/0		VERDE	GREEN)	VERT	GRÜN
	82110172/0		GIALLA	YELLOW	JAUNE	GELB
	82110173/0		BLU	BLUE	BLEU	BLAU
10	☛	1	PIASTRINA (TC)	PLATE (TC)	PLAQUE (TC)	PLATTE (TC)
	25547016/1		ROSSA	RED	ROUGE	ROT
	25547015/0		VERDE	GREEN	VERT	GRÜN
	25547014/0		GIALLA	YELLOW	JAUNE	GELB
	25547024/0		BLU	BLUE	BLEU	BLAU
☛	1	PIASTRINA (TCP)	PLATE (TCP)	PLAQUE (TCP)	PLATTE (TCP)	
	25547025/0		ROSSA	RED	ROUGE	ROT
	25547026/0		VERDE	GREEN	VERT	GRÜN
	25547027/0		GIALLA	YELLOW	JAUNE	GELB
	25547028/0		BLU	BLUE	BLEU	BLAU
11	12792099/0	4	VITE	SCREW	VIS	SCHRAUBE

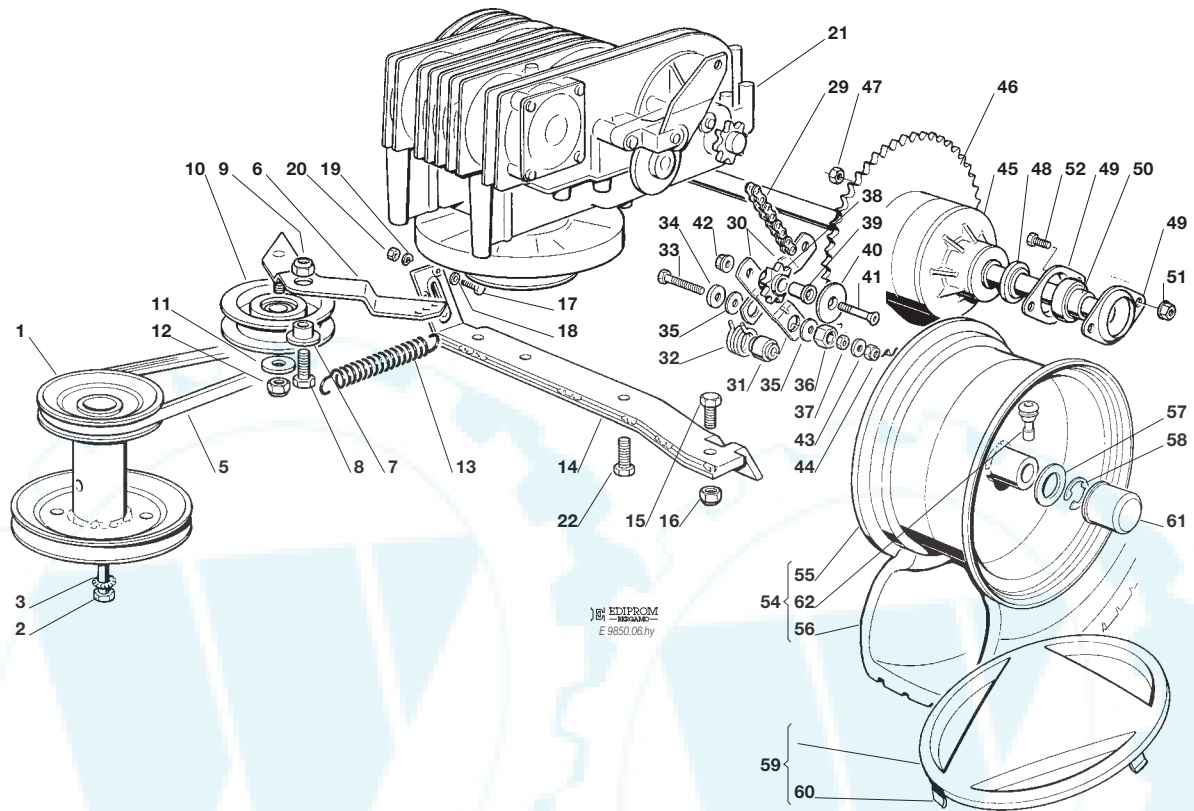


← TC102 • TCP102 • TC102hy. • TCP102hy. • TC122hy. • TCP122hy. 1999 011.0 2 / 2

N.	CODE	Q.TY	DESCRIZIONE	DESCRIPTION	DESCRIPTION	BESCHREIBUNG
12	12729601/0	8	VITE	SCREW	VIS	SCHRAUBE
13	12674701/0	2	VITE	SCREW	VIS	SCHRAUBE
14	12292100/0	4	DADO	NUT	ECROU	MUTTER
15	12582101/0	6	GROWER	GROWER	GROWER	GROWER
16	12521331/0	6	RONDELLA	WASHER	RONDELLE	SCHEIBE



TC102	TC102 hy.	TC122 hy.		<b>TRASMISSIONE</b> <b>TRANSMISSION</b> <b>TRANSMISSION</b> <b>GETRIEBE</b>	1999
TCP102	TCP102 hy.	TCP122 hy.			<b>006Y.0</b>
					1 / 2




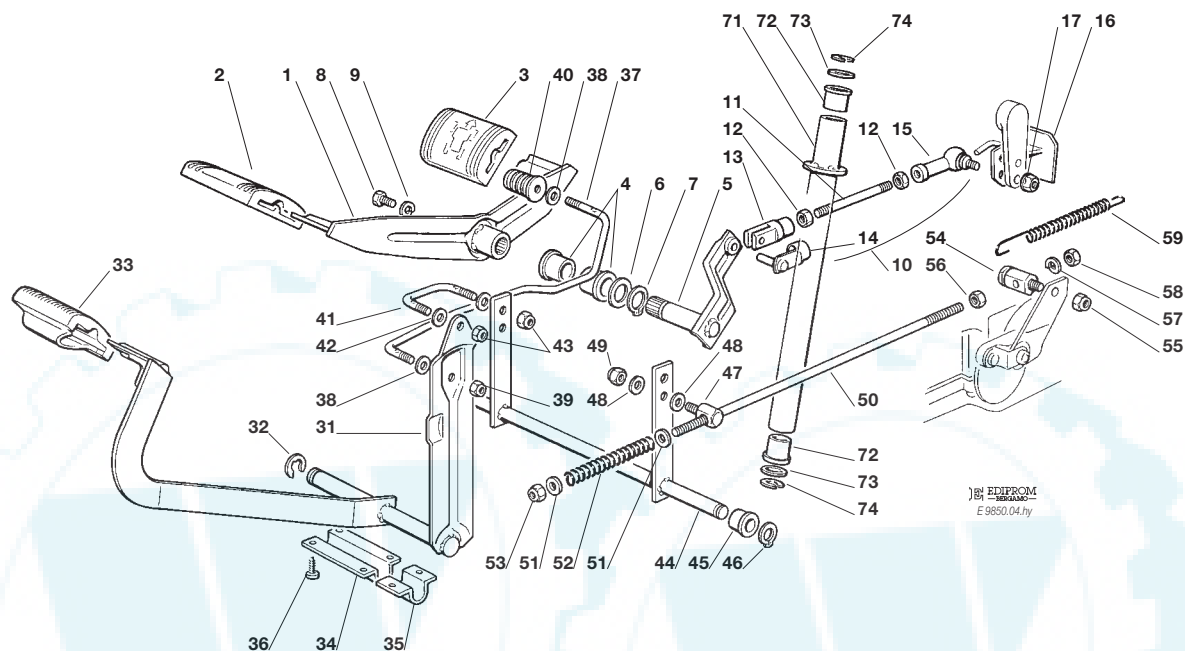
N.	CODE	Q.TY	DESCRIZIONE	DESCRIPTION	DESCRIPTION	BESCHREIBUNG
1	25601565/1	1	PULEGGIA MOTORE	ENGINE PULLEY	POULIE MOTEUR	RIEMENSCHIEBE
2	12737310/0	1	VITE	SCREW	VIS	SCHRAUBE
3	12543000/0	1	RONDELLA	WASHER	RONDELLE	SCHIEBE
5	35061426/0	1	CINGHIA	BELT	COURROIE	RIEMEN
6	82318113/0	1	LEVA GALOPPINO	TIGHTENER LEVER	LEVIER GALOPIN	LEIT ROLLE
7	25038002/0	1	BOCCOLA	BUSHING	DOUILLE	BÜCHSE
8	12793102/0	1	VITE	SCREW	VIS	SCHRAUBE
9	12155000/0	1	DADO	NUT	ECROU	MUTTER
10	25601554/0	1	PULEGGIA	PULLEY	POULIE	RIEMENSCHIEBE
11	12523060/0	1	RONDELLA	WASHER	RONDELLE	SCHIEBE
12	12155000/0	1	DADO	NUT	ECROU	MUTTER
13	25430219/0	1	MOLLA	SPRING	RESSORT	FEDER
14	82785095/0	1	SUPPORTO	BRACKET	SUPPORT	SUPPORT
15	12793301/0	2	VITE	SCREW	VIS	SCHRAUBE
16	12155010/0	2	DADO	NUT	ECROU	MUTTER
17	12651010/0	2	VITE	SCREW	VIS	SCHRAUBE
18	12521300/0	2	RONDELLA	WASHER	RONDELLE	SCHIEBE
19	12581100/0	2	GROWER	GROWER	GROWER	GROWER
20	12290791/0	2	DADO	NUT	ECROU	MUTTER
21★	18400900/0	1	GRUPPO IDROSTATICO	HYDROSTATIC UNIT	ENS. HYDROSTATIQUE	HYDROSTATIK GRUPPE
22	12735595/0	4	VITE	SCREW	VIS	SCHRAUBE
29	15189001/0	1	CATENA	CHAIN	CHAINE	KETTE
30	25318122/0	2	LEVA FLOTTANTE	FLOATING LEVER	LEVIER	HEBEL
31	25040607/0	1	BUSSOLA	BUSH	DOUILLE	BÜCHSE
32	25430207/0	1	MOLLA	SPRING	RESSORT	FEDER
33	25943002/0	1	VITE	SCREW	VIS	SCHRAUBE
34	12523070/0	1	ROSETTA	WASHER	RONDELLE	SCHIEBE
35	22672152/0	2	RONDELLA ANTIFRIZIONE	WASHER	RONDELLE	SCHIEBE
36	25160006/0	1	DISTANZIALE	SPACER	ENTRETOISE	ENTFERNUNGSSTÜCK
37	12293200/0	1	DADO	NUT	ECROU	MUTTER
38	25570001/0	2	PIGNONE	PINION	PIGNON	RITZEL



N.	CODE	Q.TY	DESCRIZIONE	DESCRIPTION	DESCRIPTION	BESCHREIBUNG
39	25040608/0	2	BUSSOLA	BUSH	DOUILLE	BUCHSE
40	25670009/0	2	RONDELLA	WASHER	RONDELLE	SCHEIBE
41	12882020/0	2	VITE	SCREW	VIS	SCHRAUBE
42	12155000/0	2	DADO	NUT	ECROU	MUTTER
43	12524010/0	1	ROSETTA	WASHER	RONDELLE	SCHEIBE
44	12155000/0	1	DADO	NUT	ECROU	MUTTER
45*	25140201/0	1	DIFFERENZIALE	DIFFERENTIAL GEAR	DIFFERENTIEL	DIFFERENTIAL
46	16694600/1	1	CORONA	RING GEAR	COURONNE	KRANZ
47	12360354/1	4	DADO	NUT	ECROU	MUTTER
48	25160010/0	2	DISTANZIALE	SPACER	ENTRETOISE	ENTFERNUNGSSTÜCK
49	22207319/0	6	FLANGIA	FLANGE	BRIDE	FLANSCH
50	25122201/0	3	CUSCINETTO	BEARING	COUSSINET	KUGELLAGER
51	12293201/0	4	DADO	NUT	ECROU	MUTTER
52	12793301/0	2	VITE	SCREW	VIS	SCHRAUBE
54	82680003/0	2	RUOTA COMPLETA (TURF-SAVER)	WHEEL ASS.Y (TURF-SAVER)	ENSEMBLE ROUE (TURF-SAVER)	RAD (TURF-SAVER)
55	82000592/0	2	CERCHIO RUOTA POST.	REAR RIMM	BANDAGE ROUE POST.	HINTERRAD FELGER
56	25590001/0	2	PNEUMATICO (TURF-SAVER)	SHOE (TURF-SAVER)	PNEU (TURF-SAVER)	REIFEN (TURF-SAVER)
57	25670005/1	2	RONDELLA	WASHER	RONDELLE	SCHEIBE
58	12001010/0	2	ANELLO ELASTICO	SNAP RING	ANNEAU RESSORT	SPRENGRING
59	82110251/1	2	COPRIRUOTA POST. (TC)	REAR WHEEL DECK (TC)	COUVRE ROUE POST. (TC)	HINTERRADDECKEL (TC)
	82110253/0	2	COPRIRUOTA POST. (TCP)	REAR WHEEL DECK (TCP)	COUVRE ROUE POST. (TCP)	HINTERRADDECKEL (TCP)
60	25430209/0	8	MOLLA AGGANCI	SPRING	RESSORT	FEDER
61	22110230/0	2	COPRIMOZZO	HUB COVER	COUVRE MOYEU	RADNABE DECKEL
62	25950000/0	2	VALVOLA	VALVE	SOUPAPE	VENTIL

PER LA SOSTITUZIONE DELLE PARTI CONTRASSEGNALE CON «\*» RIVOLGERSI AL SERVIZIO ASSISTENZA DEL COSTRUTTORE (TECUMSEH).  
 TO REPLACE THE PARTS MARKED «\*» SEEK ASSISTANCE FROM MANUFACTURER'S AFTER SALES SERVICE (TECUMSEH).  
 POUR LE REMPLACEMENT DES PIÈCES MARQUÉES AVEC «\*» S'ADRESSER AU SERVICE APRÈS VENTES DU CONSTRUCTEUR (TECUMSEH).  
 ZUM AUSTAUSCH DER MIT «\*» GEKENNZEICHNETEN TEILE, WENDEN SIE SICH AN DEN KUNDENDIENST DES HERSTELLERS (TECUMSEH).

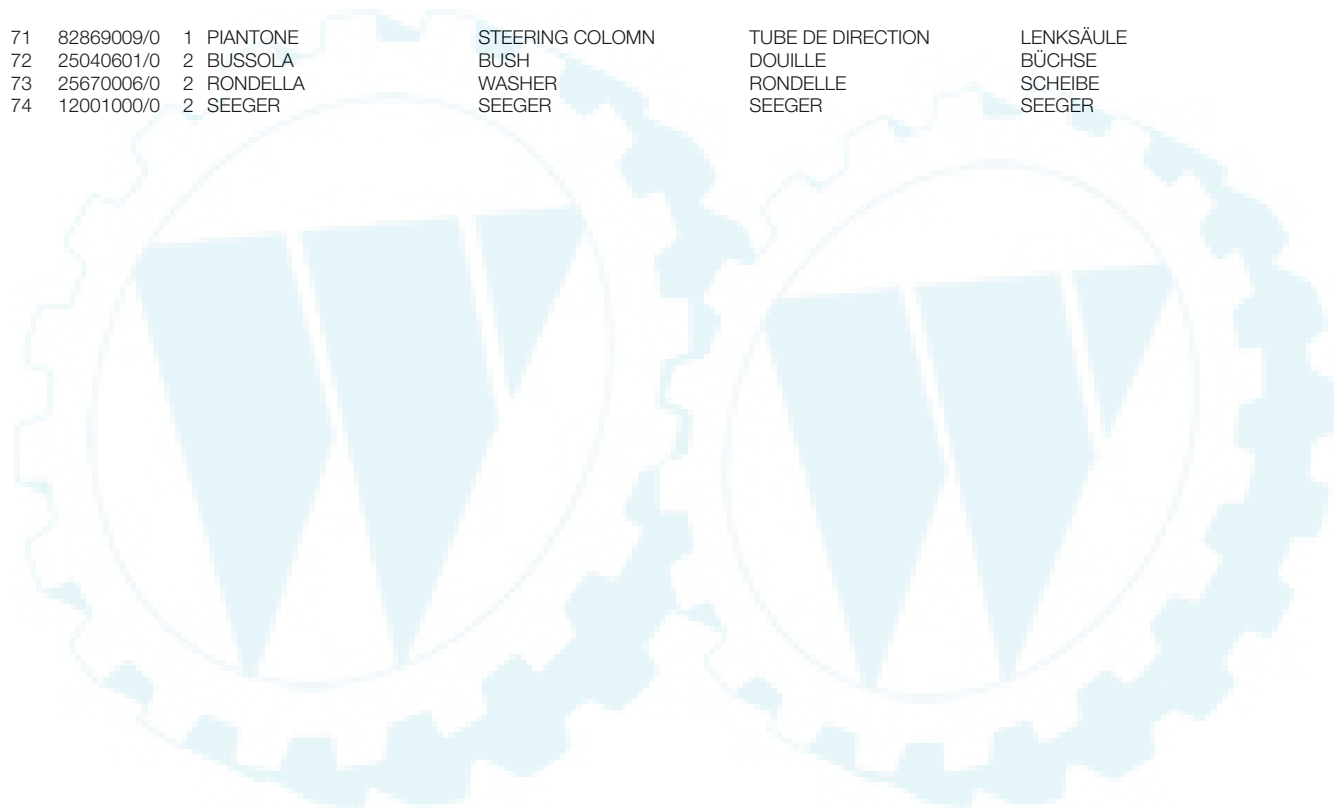
TC102	TC102 hy.	TC122 hy.	 <b>COMANDO TRASMISSIONE E FRENO</b> <b>DRIVE AND BRAKE CONTROLS</b> <b>COMMANDE TRANSMISSION ET FREIN</b> <b>GETRIEBE UND BREMSE ANTRIEB</b>	1999
TCP102	TCP102 hy.	TCP122 hy.		<b>004Y.0</b>
				1 / 2



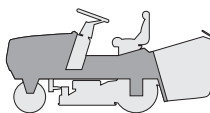
N.	CODE	Q.TY	DESCRIZIONE	DESCRIPTION	DESCRIPTION	BESCHREIBUNG
1	82500004/0	1	PEDALE AVANZAMENTO	DRIVE PEDAL	PEDALE TRANSMISSION	GETRIEBEPEDAL
2	25110265/0	1	COPRISTAFFA ANTERIORE	CLAMP COVER FRONT	COUVRE ETRIER AVANT	BRIDEDECKEL VORDE
3	25110266/0	1	COPRISTAFFA POSTERIORE	CLAMP COVER REAR	COUVRE ETRIER ARRIERE	BRIDEDECKEL HINTER
4	25034002/0	2	BRONZINA	BUSH	DOUILLE	BÜCHSE
5	82318145/0	1	LEVA	LEVER	LEVIER	HEBEL
6	22672153/0	1	RONDELLA	WASHER	RONDELLE	SCHEIBE
7	12609260/0	1	SEEGER	SEEGER	SEEGER	SEEGER
8	12792612/0	1	VITE	SCREW	VIS	SCHRAUBE
9	12583501/0	1	GROWER	GROWER	GROWER	GROWER
10	82820002/0	1	ASSIEME TIRANTE (11÷15)	ROD ASS.Y (11÷15)	ENS. BARRE (11÷15)	STANGE KOMPLETT (11÷15)
11	25598002/0	1	TIRANTE	ROD	BARRE	STANGE
12	12293200/0	2	DADO	NUT	ECROU	MUTTER
13	18399001/0	1	FORCELLA	FORK	FOURCHE	GABEL
14	18210201/0	1	CLIP	CLIP	CLIP	SPERRBOLZEN
15	22746602/0	1	SNODO	JOINT	JOINT	GELENK
16	82774217/1	1	STAFFA	BRACKET	ETRIER	BRIDE
17	12293201/0	1	DADO	NUT	ECROU	MUTTER
31	82500006/0	1	PEDALE FRENO	BRAKE PEDAL	PEDALE DE FREIN	BREMSPEDAL
32	12001000/0	1	ANELLO ELASTICO	SNAP RING	ANNEAU RESSORT	SPRENGRING
33	25110267/0	1	COPRISTAFFA	CLAMP COVER	COUVRE ETRIER	BRIDEDECKEL
34	25547039/0	1	PIASTRINA DESTRA	PLATE RIGHT	PLAQUE DROITE	PLATTE RECHTE
35	25547041/0	1	PIASTRINA SINISTRA	PLATE LEFT	PLAQUE GAUCHE	PLATTE LINKE
36	12731601/0	6	VITE	SCREW	VIS	SCHRAUBE
37	25033017/1	1	ASTA	ROD	BARRE	STANGE
38	12521350/0	2	RONDELLA	WASHER	RONDELLE	SCHEIBE
39	12155000/0	1	DADO	NUT	ECROU	MUTTER
40	25394500/1	1	MANOPOLA FRENO	BRAKE KNOB	POIGNEE DE FREIN	BREMSEKNOPF
41	25840004/0	1	ASTA COMANDO FRENO	BRAKE CONTROL ROD	TIGE CONTROLE FREIN	BREMSE KONTROLLESATZ
42	12521350/0	2	RONDELLA	WASHER	RONDELLE	SCHEIBE

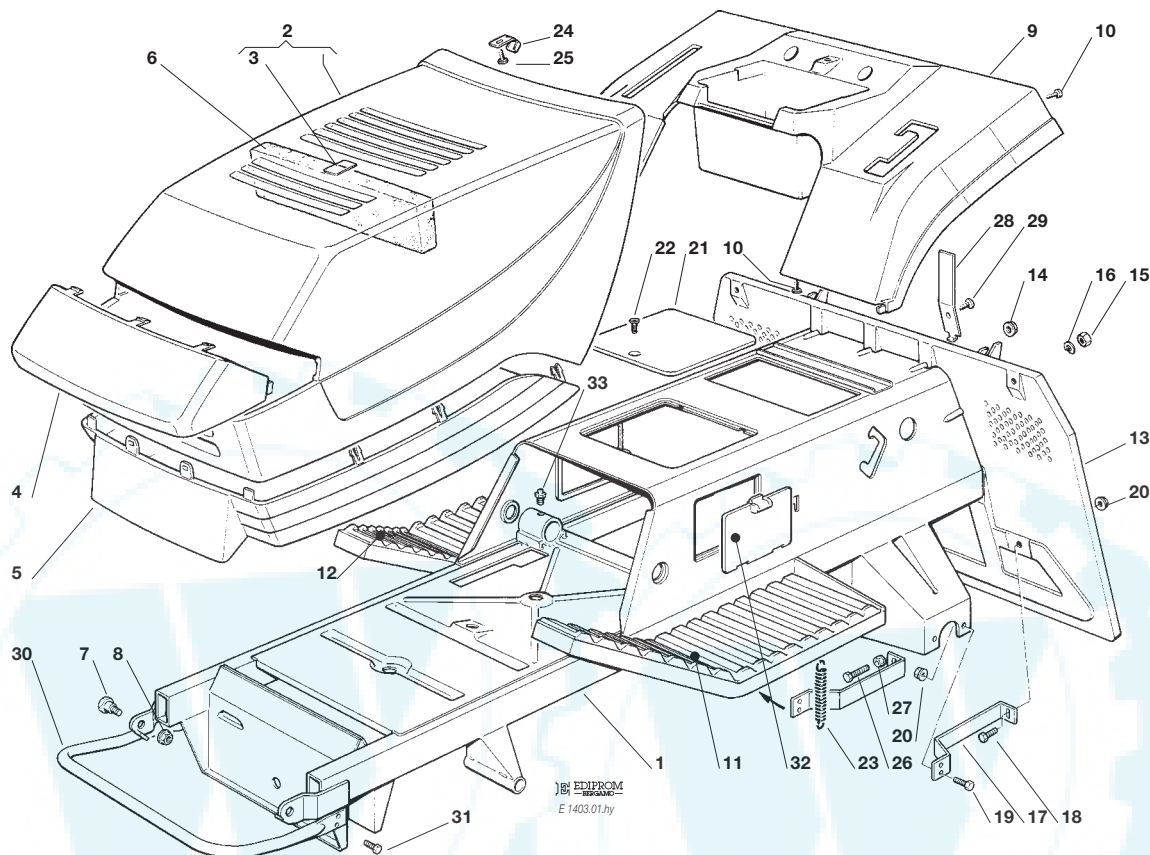


N.	CODE	Q.TY	DESCRIZIONE	DESCRIPTION	DESCRIPTION	BESCHREIBUNG
43	12155000/0	2	DADO	NUT	ECROU	MUTTER
44	82000359/0	1	LEVE FRENO	BRAKE LEVERS	LEVIER DE FREIN	BREMSEHEBELN
45	25040614/0	2	BUSSOLA	BUSH	DOUILLE	BÜCHSE
46	12608900/0	2	SEEGER	SEEGER	SEEGER	SEEGER
47	25510040/1	1	PERNO	PIN	PIVOT	BOLZEN
48	25670011/0	2	RONDELLA	WASHER	RONDELLE	SCHEIBE
49	12155000/0	1	DADO	NUT	ECROU	MUTTER
50	25033016/0	1	ASTA	ROD	BARRE	STANGE
51	12521350/0	2	RONDELLA	WASHER	RONDELLE	SCHEIBE
52	25430231/0	1	MOLLA	SPRING	RESSORT	FEDER
53	12155000/0	1	DADO	NUT	ECROU	MUTTER
54	25510041/0	1	PERNO	PIN	PIVOT	BOLZEN
55	12155000/0	1	DADO	NUT	ECROU	MUTTER
56	12193200/0	1	DADO	NUT	ECROU	MUTTER
57	12583500/0	1	GROWER	GROWER	GROWER	GROWER
58	12293200/0	1	DADO	NUT	ECROU	MUTTER
59	25430210/0	1	MOLLA	SPRING	RESSORT	FEDER
71	82869009/0	1	PIANTONE	STEERING COLOMNN	TUBE DE DIRECTION	LENKSÄULE
72	25040601/0	2	BUSSOLA	BUSH	DOUILLE	BÜCHSE
73	25670006/0	2	RONDELLA	WASHER	RONDELLE	SCHEIBE
74	12001000/0	2	SEEGER	SEEGER	SEEGER	SEEGER





<b>TC102</b>	<b>TC102 hy.</b>	<b>TC122 hy.</b>		<b>CARROZZERIA E CHASSIS</b> <b>BODY AND CHASSIS</b> <b>CARROSSERIE ET CHASSIS</b> <b>KARROSSERIE UND GEHÄUSE</b>	1999
<b>TCP102</b>	<b>TCP102 hy.</b>	<b>TCP122 hy.</b>			<b>001.0</b>
					1 / 2



N.	CODE	Q.TY	DESCRIZIONE	DESCRIPTION	DESCRIPTION	BESCHREIBUNG
1	82800004/7	1	TELAIO	CHASSIS	CHASSIS	RAHMENSATZ
	82800023/0	1	TELAIO (hydro)	CHASSIS (hydro)	CHASSIS (hydro)	RAHMENSATZ (hydro)
2	☛	1	COFANO SUPER. (TC)	UPPER ENGINE HOOD (TC)	CAPOT SUPERIEURE (TC)	OBERHAUBESATZ (TC)
	82076801/1		ROSSO	RED	ROUGE	ROT
	82076804/0		VERDE	GREEN	VERT	GRÜN
	82076805/0		GIALLO	YELLOW	JAUNE	GELB
	82076807/0		BLU	BLUE	BLEU	BLAU
	☛	1	COFANO SUPER. (TCP)	UPPER ENGINE HOOD (TCP)	CAPOT SUPERIEURE (TCP)	OBERHAUBESATZ (TCP)
	82076840/0		ROSSO	RED	ROUGE	ROT
	82076842/0		VERDE	GREEN	VERT	GRÜN
	82076844/0		GIALLO	YELLOW	JAUNE	GELB
	82076846/0		BLU	BLUE	BLEU	BLAU
3	☛	1	PIASTRINA (TC)	PLATE (TC)	PLAQUE (TC)	PLATTE (TC)
	25547016/1		ROSSA	RED	ROUGE	ROT
	25547015/0		VERDE	GREEN	VERT	GRÜN
	25547014/0		GIALLA	YELLOW	JAUNE	GELB
	25547024/0		BLU	BLUE	BLEU	BLAU
	☛	1	PIASTRINA (TCP)	PLATE (TCP)	PLAQUE (TCP)	PLATTE (TCP)
	25547025/0		ROSSA	RED	ROUGE	ROT
	25547026/0		VERDE	GREEN	VERT	GRÜN
	25547027/0		GIALLA	YELLOW	JAUNE	GELB
	25547028/0		BLU	BLUE	BLEU	BLAU
4	25410858/0	1	MASCHERINA (TC)	GRILL (TC)	PANNEAU (TC)	SCHUTZ (TC)
	25410860/0	1	MASCHERINA DX (TCP)	RIGHT GRILL (TCP)	PANNEAU DROITE (TCP)	RECHTE SCHUTZ (TCP)
	25410861/0	1	MASCHERINA SX (TCP)	LEFT GRILL (TCP)	PANNEAU GAUCHE (TCP)	LINKE SCHUTZ (TCP)
5	25076802/0	1	COFANO INFERIORE (TC)	LOWER ENGINE HOOD (TC)	CAPOT INFERIEURE (TC)	UNTERHAUBESATZ (TC)
	25076808/0	1	COFANO INFERIORE (TCP)	LOWER ENGINE HOOD (TCP)	CAPOT INFERIEURE (TCP)	1 UNTERHAUBESATZ (TCP)
6	☛	1	SEPARATORE ASPIRAZ.	INTAKE SEPARATOR	SEPARATEUR ASPIRATIONS	AUGENABSCHIEDER
	25730000/0		TC - 13 HP TECUMSEH	TC - 13 HP TECUMSEH	TC - 13 HP TECUMSEH	TC - 13 HP TECUMSEH
			15,5 - 16 HP B&S	15,5 - 16 HP B&S	15,5 - 16 HP B&S	15,5 - 16 HP B&S
	25730001/0		15 HP TECUMSEH	15 HP TECUMSEH	15 HP TECUMSEH	15 HP TECUMSEH





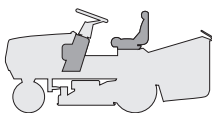
TC102 • TCP102 • TC102hy. • TCP102hy. • TC122hy. • TCP122hy.

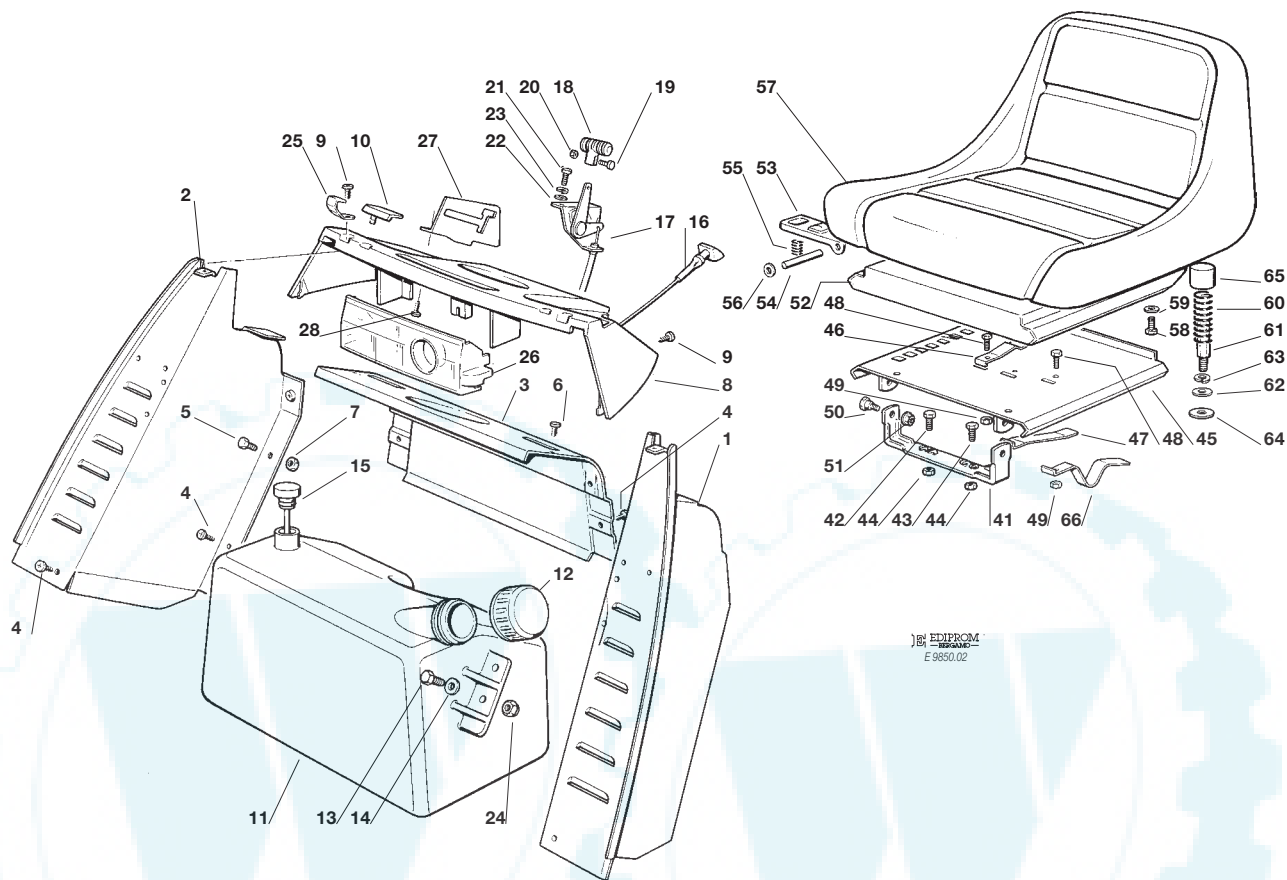
1999

001.0

2 / 2

N.	CODE	Q.TY	DESCRIZIONE	DESCRIPTION	DESCRIPTION	BESCHREIBUNG
	25730002/0		<b>TCP</b> - 12,5-13-18 HP B&S	<b>TCP</b> - 12,5-13-18 HP B&S	<b>TCP</b> - 12,5-13-18 HP B&S	<b>TCP</b> - 12,5-13-18 HP B&S
	25730003/0		20 HP B&S	20 HP B&S	20 HP B&S	20 HP B&S
7	25510015/1	2	PERNO	PIN	PIVOT	BOLZEN
8	12293201/0	2	DADO	NUT	ECROU	MUTTER
9	☛	1	COPERTURA RUOTE <b>(TCP)</b>	WHEELS COVER <b>(TCP)</b>	COUVRE-ROUES <b>(TCP)</b>	RADENKAPPE <b>(TCP)</b>
	25110157/1		ROSSA	RED	ROUGE	ROT
	25110159/0		VERDE	GREEN	VERT	GRÜN
	25110161/0		GIALLO	YELLOW	JAUNE	GELB
	25110163/0		BLU	BLUE	BLEU	BLAU
☛		1	COPERTURA RUOTE <b>(TCP)</b>	WHEELS COVER <b>(TCP)</b>	COUVRE-ROUES <b>(TCP)</b>	RADENKAPPE <b>(TCP)</b>
	25110170/0		ROSSA	RED	ROUGE	ROT
	25110171/0		VERDE	GREEN	VERT	GRÜN
	25110172/0		GIALLO	YELLOW	JAUNE	GELB
	25110173/0		BLU	BLUE	BLEU	BLAU
10	12735402/0	4	VITE	SCREW	VIS	SCHRAUBE
11	25110260/1	1	COPRIPEDANA SX	LEFT FOOTBOARD COVER GAUCHE	COUVRE MARCHEPIED	LINKE FUSSBRETTDECKEL
12	25110261/1	1	COPRIPEDANA DX	RIGHT FOOTBOARD COVER DROITE	COUVRE MARCHEPIED	RECHTE FUSSBRETTDECKEL
	25110268/0	1	COPRIPEDANA DX <b>(hydro)</b>	RIGHT FOOTBOARD COVER <b>(hydro)</b>	COUVRE MARCHEPIED DROITE <b>(hydro)</b>	RECHTE FUSSBRETTDECKEL <b>(hydro)</b>
13	82547001/3	1	PIASTRA POST.	REAR PLATE	PLAQUE POSTERIEURE	HINTERPLATTE
14	12293201/0	5	DADO	NUT	ECROU	MUTTER
15	12295200/0	2	DADO	NUT	ECROU	MUTTER
16	12585100/0	2	GROWER	GROWER	GROWER	GROWER
17	25650021/0	2	RINFORZO PIASTRA POST.	REAR PLATE STIFFENING POST.	RENFORCEMENT PLAQUE ERKUNG	HINTERPLATTEVERSTA-
18	12793102/0	2	VITE <b>(TCP)</b>	SCREW <b>(TCP)</b>	VIS <b>(TCP)</b>	SCHRAUBE <b>(TCP)</b>
18	12793102/0	1	VITE <b>(TCP)</b>	SCREW <b>(TCP)</b>	VIS <b>(TCP)</b>	SCHRAUBE <b>(TCP)</b>
19	12793102/0	2	VITE	SCREW	VIS	SCHRAUBE
20	12293201/0	4	DADO	NUT	ECROU	MUTTER
21	82597120/0	1	PORTINA	HANDHOLE	GRILLE	GITTER
22	12728440/0	1	VITE	SCREW	VIS	MUTTER
23	25430218/0	2	MOLLA	SPRING	RESSORT	FEDER
24	25430217/0	2	MOLLA AGGANCIAMENTO <b>(TCP)</b>	COUPLING SPRING <b>(TCP)</b>	RESSORT ACCROCHA <b>(TCP)</b>	GEKUPPLUNGSFEDER <b>(TCP)</b>
25	12728099/0	2	VITE <b>(TCP)</b>	SCREW <b>(TCP)</b>	VIS <b>(TCP)</b>	SCHRAUBE <b>(TCP)</b>
26	12691100/0	1	VITE <b>(TCP)</b>	SCREW <b>(TCP)</b>	VIS <b>(TCP)</b>	SCHRAUBE <b>(TCP)</b>
27	12293201/0	1	DADO <b>(TCP)</b>	NUT <b>(TCP)</b>	ECROU <b>(TCP)</b>	MUTTER <b>(TCP)</b>
28	25430228/0	1	MOLLA	SPRING	RESSORT	FEDER
29	12728440/0	1	VITE	SCREW	VIS	SCHRAUBE
30	82869006/0	1	PROTEZIONE SILENZIATORE	MUFFLER PROTECTION	PROTECTION SILENCIEUX	AUSPUFFSCHUTZ
31	12734995/0	4	VITE	SCREW	VIS	SCHRAUBE
32	25597121/0	2	PORTINA <b>(hydro)</b>	HANDHOLE <b>(hydro)</b>	GRILLE <b>(hydro)</b>	GITTER <b>(hydro)</b>
33	12379511/0	1	INGRASSATORE <b>(hydro)</b>	GREASE DISPENSER <b>(hydro)</b>	GRAISSEUR <b>(hydro)</b>	FETTBÜCHSE <b>(hydro)</b>

<b>TC102</b>	<b>TC102 hy.</b>	<b>TC122 hy.</b>		<b>CRUSCOTTO E SEDILE</b> <b>DASHBOARD AND SEAT</b> <b>TABLEAU COMMANDES ET SIEGE</b> <b>KONSOLE UND SITZ</b>	1999
<b>TCP102</b>	<b>TCP102 hy.</b>	<b>TCP122 hy.</b>			<b>002.0</b>
					1 / 2



N.	CODE	Q.TY	DESCRIZIONE	DESCRIPTION	DESCRIPTION	BESCHREIBUNG
1	82785021/3	1	SUPP. CRUSCOTTO SX	LEFT DASHBOARD SUPP.	SUPPORT TABLEAU GAUCHE	LINKER KONSELHALTER
2	82785022/2	1	SUPP. CRUSCOTTO DX	RIGHT DASHBOARD SUPP.	SUPPORT TABLEAU DROITE	RECHTER KONSELHALTER
3	82785023/0	1	SUPP. CRUSCOTTO CENTR. SUPP.	CENTRAL DASHBOARD CENTRAL	SUPPORT TABLEAU HALTER	ZENTRALER KONSELHALTER
4	12735110/0	6	VITE	SCREW	VIS	SCHRAUBE
5	12790780/0	2	VITE	SCREW	VIS	SCHRAUBE
6	12728440/0	2	VITE	SCREW	VIS	SCHRAUBE
7	12292102/0	2	DADO	NUT	ECROU	MUTTER
8	25120149/0	1	CRUSCOTTO (TC)	DASHBOARD (TC)	TABEAU DE BORD (TC)	KONSOLE (TC)
	25120150/0	1	CRUSCOTTO (TCP)	DASHBOARD (TCP)	TABEAU DE BORD (TCP)	KONSOLE (TCP)
	25120155/0	1	CRUSCOTTO (TC hydro)	DASHBOARD (TC hydro)	TABEAU DE BORD (TC hy.)	KONSOLE (TC hydro)
	25120153/0	1	CRUSCOTTO (TCP hydro)	DASHBOARD (TCP hydro)	TABEAU DE BORD (TCP hy.)	KONSOLE (TCP hydro)
9	12728440/0	4	VITE	SCREW	VIS	SCHRAUBE
10	25260000/0	2	GOMMINO	GROMMET	PROTECTION	SCHUTZ
11	25735110/2	1	SERBATOIO (12,5 - 15,5 HP B&S 13 - 15 HP TECUMSEH)	TANK (12,5 - 15,5 HP B&S 13 - 15 HP TECUMSEH)	RESERVOIR (12,5 - 15,5 HP B&S 13 - 15 HP TECUMSEH)	TANK (12,5 - 15,5 HP B&S 13 - 15 HP TECUMSEH)
	25735111/2	1	SERBATOIO (16 - 18 - 20 HP B&S)	TANK (16 - 18 - 20 HP B&S)	RESERVOIR (16 - 18 - 20 HP B&S)	TANK (16 - 18 - 20 HP B&S)
12	25795000/0	1	TAPPO	CAP	BOUCHON	TANKVERSCHLUSS
13	12788910/0	2	VITE	SCREW	VIS	SCHRAUBE
14	12523020/0	2	RONDELLA	WASHER	RONDELLE	SCHIBE
15	25290000/0	1	INDICATORE LIVELLO (16 - 18 - 20 HP B&S)	FUEL LEVEL INDICATOR (16 - 18 - 20 HP B&S)	INDICATEUR NIVEAU (16 - 18 - 20 HP B&S)	KRAFTSTOFFMESSER (16 - 18 - 20 HP B&S)
16	25090000/0	1	COMANDO STARTER (16 - 18 HP B&S)	STARTER DRIVE (16 - 18 HP B&S)	COMMANDE STARTER (16 - 18 HP B&S)	STARTER BETAETIGUNG (16 - 18 HP B&S)
16	25090001/0	1	COMANDO STARTER (20 HP B&S)	STARTER DRIVE (20 HP B&S)	COMMANDE STARTER (20 HP B&S)	STARTER BETAETIGUNG (20 HP B&S)
17	82000200/1	1	ACCELERATORE (12,5 - 13 - 15,5 HP B&S 13 - 15 HP TECUMSEH)	ACCELERATOR (12,5 - 13 - 15,5 HP B&S 13 - 15 HP TECUMSEH)	ACCELERATEUR (12,5 - 13 - 15,5 HP B&S 13 - 15 HP TECUMSEH)	GAS ZUG 1 (12,5 - 13 - 15,5 HP B&S 13 - 15 HP TECUMSEH)





TC102 • TCP102 • TC102hy. • TCP102hy. • TC122hy. • TCP122hy.

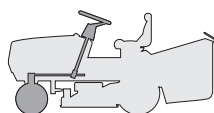
1999

002.0

2 / 2

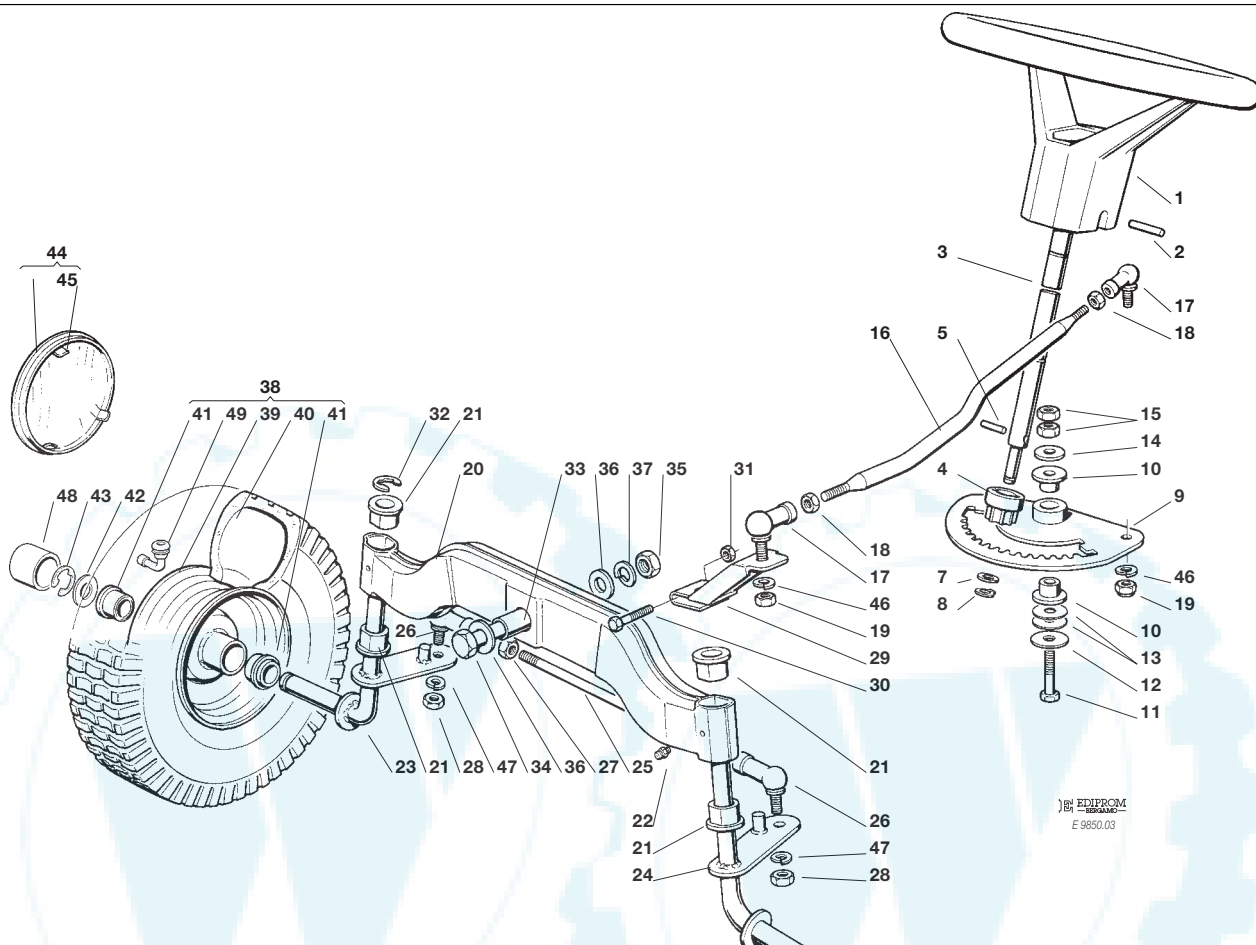
N.	CODE	Q.TY	DESCRIZIONE	DESCRIPTION	DESCRIPTION	BESCHREIBUNG
	82000201/1	1	ACCELERATORE 16 - 18 - 20 HP B&S	ACCELERATOR 16 - 18 - 20 HP B&S	ACCELERATEUR 16 - 18 - 20 HP B&S	GAS ZUG 16 - 18 - 20 HP B&S
18	25394501/0	1	MANOPOLA	HANDLE	POIGNE	GRIFF
19	12726388/0	1	VITE	SCREW	VIS	SCHRAUBE
20	12290800/0	1	DADO	NUT	ECROU	MUTTER
21	12788512/0	2	VITE	SCREW	VIS	SCHRAUBE
22	12521310/0	2	RONDELLA	WASHER	RONDELLE	SCHEIBE
23	12581200/0	2	GROWER	GROWER	GROWER	GROWER
24	12154330/0	2	DADO	NUT	ECROU	MUTTER
25	25430215/0	2	MOLLA AGGANCIAMENTO (TC)	COUPLING SPRING (TC)	RESSORT ACCROCHAGE (TC)	KUPPLUNGSFEDER (TC)
26	25600010/0	1	PROTEZIONE SCHEDA	CARD PROTECTION	PROTECTION DE CARTE	KARTESCHUTZ
27	25774235/0	1	STAFFA GUIDA	PLATE	ETRIER	BRIDE
28	12727810/0	3	VITE	SCREW	VIS	SCHRAUBE
41	82774207/0	1	STAFFA SUPP. SEDILE	SEAT CLAMP SUPPORT	ETRIER SUPPORT SIEGE	BRIDE F. SITZHALTER
42	12793500/0	1	VITE	SCREW	VIS	SCHRAUBE
43	12792611/0	1	VITE	SCREW	VIS	SCHRAUBE
44	12293201/0	2	DADO	NUT	ECROU	MUTTER
45	82785089/0	1	SUPP. SEDILE FISSO	FIXED SEAT SUPP.	SUPPORT SIEGE FIXE	FEST SITZHALTER
46	25430203/0	1	MOLLA ARRESTO	SPRING	RESSORT D'ARRET	RASTFEDER
47	25430224/0	1	MOLLA COMANDO	SPRING	RESSORT DE COMMANDE	FEDER
48	12789000/0	3	VITE	SCREW	VIS	SCHRAUBE
49	12154330/0	3	DADO	NUT	ECROU	MUTTER
50	22524970/1	2	PERNO	PIN	PIVOT	BOLZEN
51	12293201/0	2	DADO	NUT	ECROU	MUTTER
52	82785087/0	1	SUPPORTO SEDILE	SEAT SUPPORT	SUPPORT SIEGE	SITZHALTER
53	25318109/0	1	LEVA ARRESTO	STOP LEVER	LEVIER D'ARRET	ABSTELLHEBEL
54	25510000/0	1	PERNO	PIN	PIVOT	BOLZEN
55	25430202/0	1	MOLLA	SPRING	RESSORT	FEDER
56	12604897/0	2	RONDELLA	WASHER	RONDELLE	SCHEIBE
57	25722450/0	1	SEDILE (TC)	SEAT (TC)	SIEGE (TC)	SITZ (TC)
	25722451/1	1	SEDILE (TCP)	SEAT (TCP)	SIEGE (TCP)	SITZ (TCP)
58	12793101/0	4	VITE	SCREW	VIS	SCHRAUBE
59	12583500/0	4	GROWER	GROWER	GROWER	GROWER
60	25430205/0	2	MOLLA	SPRING	RESSORT	FEDER
61	25510016/0	2	PERNO	PIN	PIVOT	BOLZEN
62	12521350/0	2	RONDELLA	WASHER	RONDELLE	SCHEIBE
63	12583500/0	2	GROWER	GROWER	GROWER	GROWER
64	12523070/0	2	RONDELLA	WASHER	RONDELLE	SCHEIBE
65	25122000/0	2	CUFFIA PROTEZ.	HOOD	PROTECTEUR	SCHUTZKASTEN
66	25430223/0	1	MOLLA	SPRING	RESSORT	FEDER

<b>TC102</b>	<b>TC102 hy.</b>	<b>TC122 hy.</b>
<b>TCP102</b>	<b>TCP102 hy.</b>	<b>TCP122 hy.</b>



**STERZO**  
**STEERING**  
**BARRE DE DIRECTION**  
**LENKGETRIEBE**

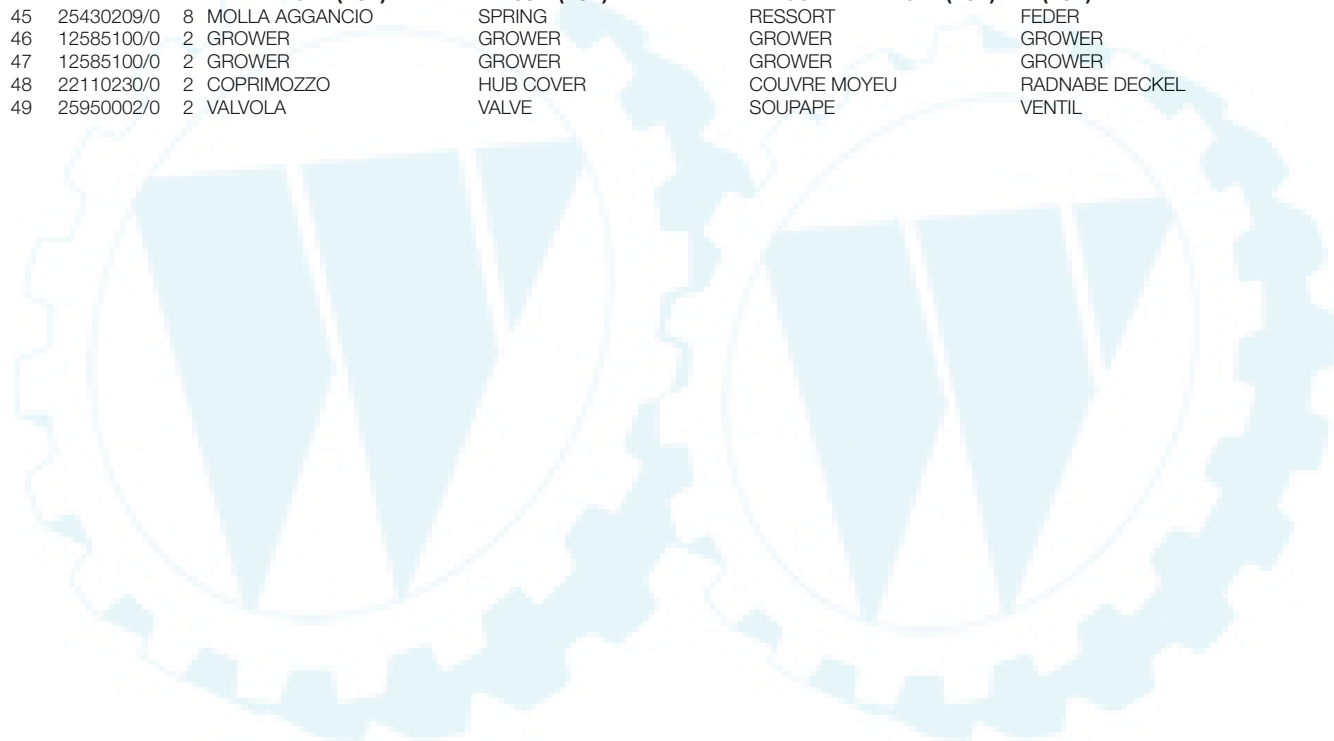
1999
<b>003.0</b>
1 / 2

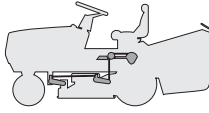


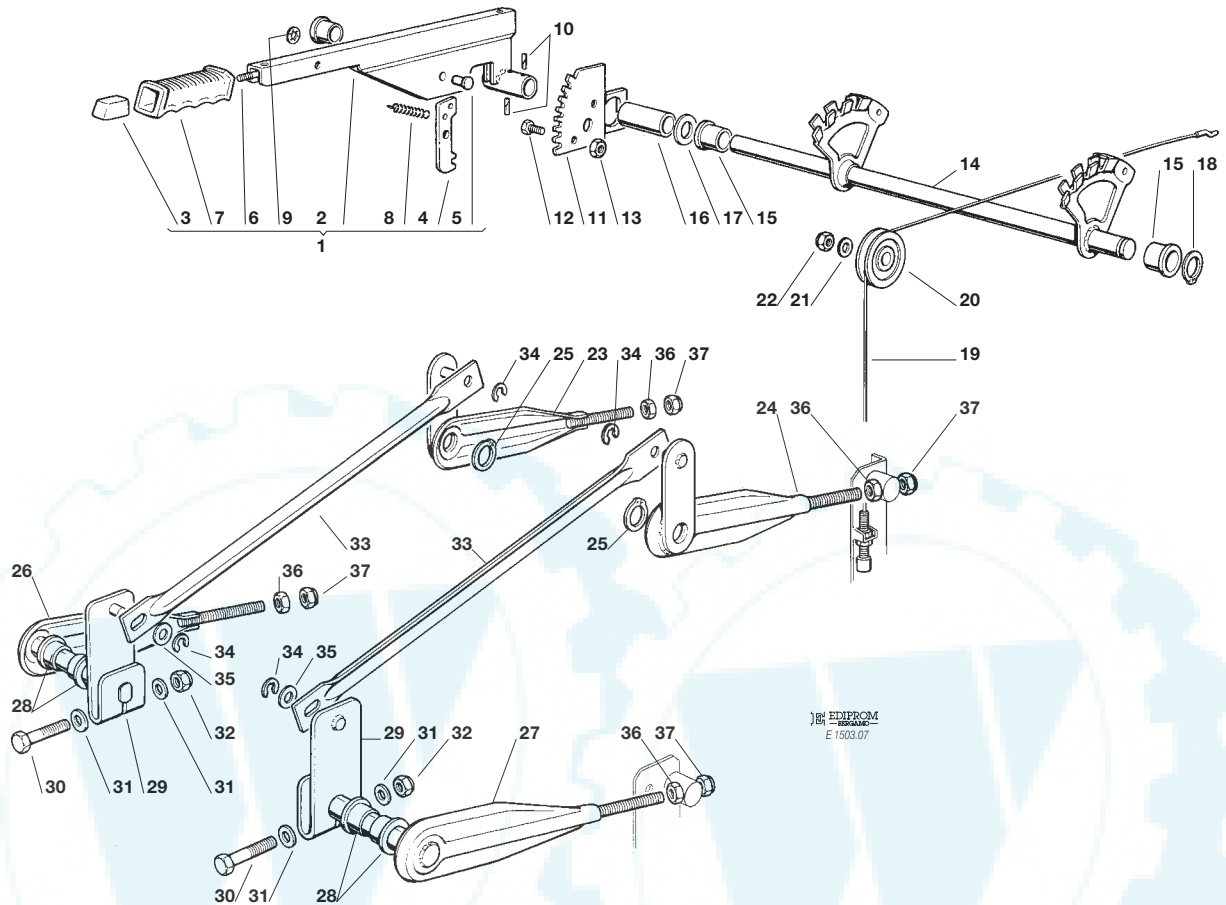
N.	CODE	Q.TY	DESCRIZIONE	DESCRIPTION	DESCRIPTION	BESCHREIBUNG
1	25961200/0	1	VOLANTE	STEERING WHEEL	VOLANT	LENKRAD
2	12620299/0	1	SPINA	PIN	GOUPILLE	STIFT
3	25520002/0	1	PIANTONE	STEERING COLUMN	TUBE DE DIRECTION	LENKUNGSAEULE
4	25570000/0	1	PIGNONE	PINION	PIGNON	RITZEL
5	12622650/0	1	SPINA	PIN	GOUPILLE	STIFT
7	12521370/0	1	RONDELLA	WASHER	RONDELLE	SCHEIBE
8	12436030/0	1	PIASTRINA	PLATE	PLAQUETTE	PLATTECHEN
9	82735504/0	1	SETTORE STERZO	STEERING SHAFT	ARBRE DIRECTION	LENKUNGSWELLE
10	25160001/1	2	BRONZINA	BRASS	COUSSINET	BÜCHSE
11	12692420/0	1	VITE	SCREW	VIS	SCHRAUBE
12	12523090/0	1	RONDELLA	WASHER	RONDELLE	SCHEIBE
13	22672150/0	2	RONDELLA	WASHER	RONDELLE	SCHEIBE
14	25670002/0	1	RONDELLA	WASHER	RONDELLE	SCHEIBE
15	12295200/0	2	DADO	NUT	ECROU	MUTTER
16	25033003/1	1	ASTA COMANDO STERZO	STEERING ROD	LEVIER BARRE DE DIRECTION	LENKUNGSSTAB
17	22746600/0	2	SNODO M10	JOINT M10	JOINT M10	GELENK M10
18	12295200/0	2	DADO	NUT	ECROU	MUTTER
19	12295200/0	2	DADO	NUT	ECROU	MUTTER
20	82034001/1	1	BILANCIERE COMPLETO DI BRONZINA ED INGRASSATORE	EQUALIZER WITH BUSH AND LUBRICATOR	BALANCIER AVEC COUSSINET ET GRAISSEUR	KIPPHEBEL MIT BRONZE-LAGER UND FETTBÜCHSE
21	25034002/1	4	BRONZINA	BRASS	COUSSINET	BÜCHSE
22	12379511/0	2	INGRASSATORE	GREASE DISPENSER	GRAISSEUR	FETTBÜCHSE
23	82230349/0	1	FUSELLO DX	R. STUB AXLE	FUSEAU DROITE	RECHTER ACHSSCHENKEL
24	82230348/0	1	FUSELLO SX	L. STUB AXLE	FUSEAU GAUCHE	LINKER ACHSSCHENKEL
25	25840001/0	1	TIRANTE	TIE ROD	TIRANT	KUPPLUNG
26	22746600/0	2	SNODO M10	JOINT M10	JOINT M10	GELENK M10
27	12295200/0	2	DADO	NUT	ECROU	MUTTER
28	12295200/0	2	DADO	NUT	ECROU	MUTTER
29	82318101/0	1	ASS. LEVA COMANDO	LEVER ASS.Y	ENSEMBLE LEVIER	HEBEL



N.	CODE	Q.TY	DESCRIZIONE	DESCRIPTION	DESCRIPTION	BESCHREIBUNG
30	12691700/0	1	VITE	SCREW	VIS	SCHRAUBE
31	12155000/0	1	DADO	NUT	ECROU	MUTTER
32	12001000/0	1	ANELLO ELASTICO	SNAP RING	ANNEAU RESSORT	SPRENGRING
33	25160005/0	1	DISTANZIALE	SPACER	ENTRETOISE	ENTFERNUNGSSTUECK
34	12694100/0	1	VITE	SCREW	VIS	SCHRAUBE
35	12295800/0	1	DADO	NUT	ECROU	MUTTER
36	12521390/0	2	RONDELLA	WASHER	RONDELLE	SCHEIBE
37	12587900/0	1	GROWER	GROWER	GROWER	GROWER
38	82680002/1	2	RUOTA COMPLETA CON CUSCINETTI (TURF-SAVER)	WHEEL ASS.Y WITH BEARINGS (TURF-SAVER)	ENSEMBLE ROUE AVEC ROULEM. (TURF-SAVER)	VORDERRAD MIT KUGEL LAGER (TURF-SAVER)
39	82000590/0	2	CERCHIO RUOTA ANT.	FRONT RIMM	BANDAGE ROUE ANT.	VORDERRAD FELGER
40	25590000/0	2	PNEUMATICO (TURF-SAVER)	SHOE (TURF-SAVER)	PNEU (TURF-SAVER)	REIFEN (TURF-SAVER)
41	25122200/1	4	CUSCINETTO	BEARING	ROULEMENT	LAGER
42	25670005/1	2	RONDELLA SPESSORE 2,5 MM	WASHER THICKNEE 2.5 MM	RONDELLE EPAISSEUR 2,5 MM	SCHEIBE DICKE 2,5 MM
43	12001000/0	2	ANELLO ELASTICO	SNAP RING	ANNEAU RESSORT	SPRENGRING
44	82110250/1	2	ASS. COPRIDISCO RUOTA ANTERIORE (TC)	FRONT WHEEL COVERENS. ASS.Y (TC)	COUVRE DISQUE ROUE ANTERIEURE (TC)	VORDERRAD DECKEL (TC)
	82110252/0	2	ASS. COPRIDISCO RUOTA ANTERIORE (TCP)	FRONT WHEEL COVERENS. ASS.Y (TCP)	COUVRE DISQUE ROUE ANTERIEURE (TCP)	VORDERRAD DECKEL (TCP)
45	25430209/0	8	MOLLA AGGANCIO	SPRING	RESSORT	FEDER
46	12585100/0	2	GROWER	GROWER	GROWER	GROWER
47	12585100/0	2	GROWER	GROWER	GROWER	GROWER
48	22110230/0	2	COPRIMOZZO	HUB COVER	COUVRE MOYEU	RADNABE DECKEL
49	25950002/0	2	VALVOLA	VALVE	SOUPAPE	VENTIL



<b>TC102</b>	<b>TC102 hy.</b>	<b>TC122 hy.</b>		<b>SOLLEVAMENTO PIATTO DI TAGLIO</b>	1999
<b>TCP102</b>	<b>TCP102 hy.</b>	<b>TCP122 hy.</b>		<b>CUTTING PLATE LIFTING</b>	<b>007.0</b>
				<b>SOULEVEMENT PLATEAU DE COUPE</b>	1 / 2
				<b>SCHNEIDWERKZEUG AUFHEBESATZ</b>	



N.	CODE	Q.TY	DESCRIZIONE	DESCRIPTION	DESCRIPTION	BESCHREIBUNG
1	82300000/0	1	ASS. GRUPPO LEVA SOLLEVAMENTO PIATTO	LIFTING LEVER ASS.Y	ENS. LEVIER SOULEVEMENT PLATEAU DE COUPE	SCHNEIDWERKZEUG AUFHEBENHEBEL
2	82318103/0	1	LEVA SOLLEVAMENTO	LIFTING LEVER	LEVIER DE SOULEVEMENT	AUFHEBENHEBEL
3	25605000/1	1	PULSANTE	BUTTON	POUSSOIR	DRUCKKNOPF
4	25470901/0	1	NASELLO	DOG	DECLIC	NASE
5	25510011/0	1	PERNO	PIN	PIVOT	BOLZEN
6	25033002/0	1	ASTA COMANDO	PUSHROD	TIGE COMMANDE	BETAETIGUNGSSTAB
7	25394504/0	1	MANOPOLA	KNOB	POIGNEE	GRIFF
8	25430208/0	1	MOLLA	SPRING	RESSORT	FEDER
9	12604899/0	1	RONDELLA	WASHER	RONDELLE	SCHEIBE
10	12620206/0	1	SPINA	PIN	GOUPIILLE	STIFT
11	25735501/0	1	SETTORE REGOLAZIONE	ADJ. SECTOR	SECTEUR REGLEMENT	EINSTELLESEKTOR
12	12792611/0	2	VITE	SCREW	VIS	SCHRAUBE
13	12293201/0	2	DADO	NUT	ECROU	MUTTER
14	82000401/1	1	ASS. ASSE SOLLEVAMENTO	LIFTING SHAFT	ARBRE SOULEVEMENT	AUFHEBENACHSE
15	22034523/0	3	BOCCOLA	BUSH	DOUILLE	BÜCHSE
16	25160004/0	1	DISTANZIALE	SPACER	ENTRETOISE	ENTFERNUNGSSTUECK
17	12521410/0	1	RONDELLA	WASHER	RONDELLE	SCHEIBE
18	12609260/0	1	SEEGER	SEEGER	SEEGER	SEEGER
19	82004600/0	2	ASS. FILO SOLLEVAMENTO	LIFTING WIRE	ENS. FIL SOULEVEMENT	AUFHEBENKABEL
	82004605/0	1	FILO SOLLEVAMENTO SINISTRO (hydro)	LIFTING WIRE - LEFT (hydro)	ENS. FIL SOULEVEMENT GAUCHE (hydro)	AUFHEBENKABEL LINKE (hydro)
20	25601557/0	2	PULEGGIA	PULLEY	POULIE	SCHEIBE
21	12521350/0	2	RONDELLA	WASHER	RONDELLE	SCHEIBE
22	12155000/0	2	DADO	NUT	ECROU	MUTTER
23	82318105/1	1	LEVA FULCRO DX (TC(P) 102)	RIGHT FULCRUM LEVER (TC(P) 102)	LEVIER POINT D'APPUI DROITE (TC(P) 102)	RECHTER SCHWENKPUNKT HEBEL (TC(P) 102)
	82318119/1	1	LEVA FULCRO DX (TC(P) 122)	RIGHT FULCRUM LEVER (TC(P) 122)	LEVIER POINT D'APPUI DROITE (TC(P) 122)	RECHTER SCHWENKPUNKT HEBEL (TC(P) 122)
24	82318107/1	1	LEVA FULCRO SX (TC(P) 102)	LEFT FULCRUM LEVER (TC(P) 102)	LEVIER POINT D'APPUI GAUCHE (TC(P) 102)	LINKER SCHWENKPUNKT HEBEL (TC(P) 102)

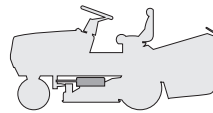


N.	CODE	Q.TY	DESCRIZIONE	DESCRIPTION	DESCRIPTION	BESCHREIBUNG
	82318121/1	1	LEVA FULCRO SX <b>(TC(P) 122)</b>	LEFT FULCRUM LEVER <b>(TC(P) 122)</b>	LEVIER POINT D'APPUI GAUCHE <b>(TC(P) 122)</b>	LINKER SCHWENKPUNKT HEBEL <b>(TC(P) 122)</b>
25	12609255/0	2	ANELLO	RING	ANNEAU	RING
26	82318115/0	1	LEVA FULCRO ANTERIORE DX <b>(TC(P) 102)</b>	FRONT FULCRUM LEVER RIGHT <b>(TC(P) 102)</b>	LEVIER POINT D'APPUI ANT. DROITE <b>(TC(P) 102)</b>	RECHTER VORDERSCHWENK- PUNKTHEBEL <b>(TC(P) 102)</b>
	82318123/0	1	LEVA FULCRO ANTERIORE DX <b>(TC(P) 122)</b>	FRONT FULCRUM LEVER RIGHT <b>(TC(P) 122)</b>	LEVIER POINT D'APPUI ANT. DROITE <b>(TC(P) 122)</b>	RECHTER VORDERSCHWENK- PUNKTHEBEL <b>(TC(P) 122)</b>
27	82318117/0	1	LEVA FULCRO ANTERIORE SX <b>(TC(P) 102)</b>	FRONT FULCRUM LEVER LEFT <b>(TC(P) 102)</b>	LEVIER POINT D'APPUI ANT. GAUCHE <b>(TC(P) 102)</b>	LINKER VORDERSCHWENK- PUNKTHEBEL <b>(TC(P) 102)</b>
	82318125/0	1	LEVA FULCRO ANTERIORE SX <b>(TC(P) 122)</b>	FRONT FULCRUM LEVER LEFT <b>(TC(P) 122)</b>	LEVIER POINT D'APPUI ANT. GAUCHE <b>(TC(P) 122)</b>	LINKER VORDERSCHWENK- PUNKTHEBEL <b>(TC(P) 122)</b>
28	25040605/0	4	BUSSOLA	BUSH	DOUILLE	BÜCHSE
29	82318109/0	2	LEVA ASTA COLLEGAMENTO	CONNECTING ROD LEVER	LEVIER TIGE DE CONNEXION	VERBINDUNGSSTAB HEBEL
30	12691700/0	2	VITE	SCREW	VIS	SCHRAUBE
31	12521350/0	4	RONDELLA	WASHER	RONDELLE	SCHEIBE
32	12155000/0	2	DADO	NUT	ECROU	MUTTER
33	25033001/0	2	ASTA COLLEGAMENTO	CONNECTING ROD	TIGE DE CONNEXION	VERBINDUNGSSTAB
34	12000955/0	4	ANELLO ELASTICO	SNAP RING	ANNEAU RESSORT	SPRENGRING
35	25670008/0	2	RONDELLA	WASHER	RONDELLE	SCHEIBE
36	12295200/0	4	DADO	NUT	ECROU	MUTTER
37	12156602/0	4	DADO	NUT	ECROU	MUTTER



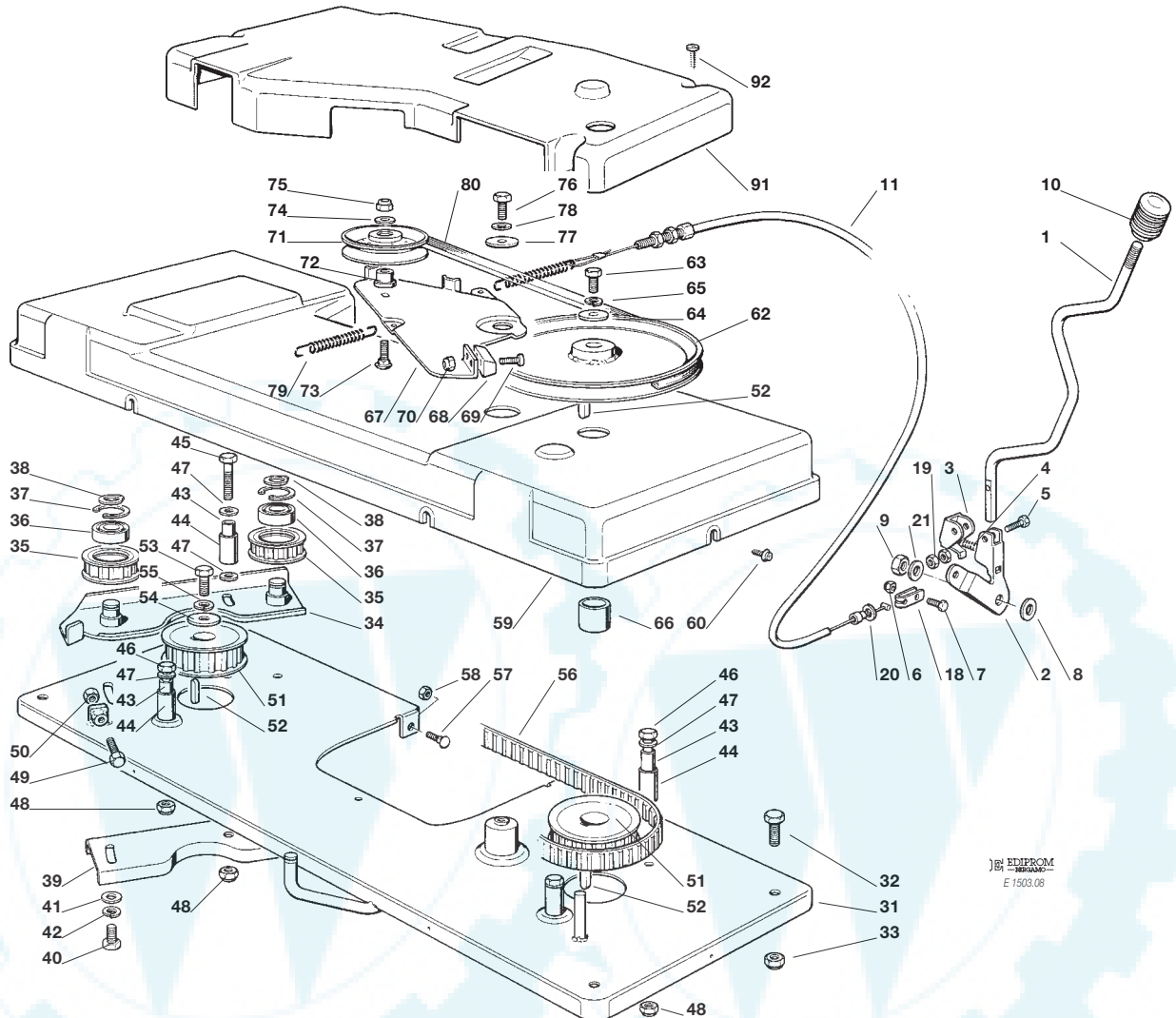


<b>TC102</b>	<b>TC102 hy.</b>	<b>TC122 hy.</b>
<b>TCP102</b>	<b>TCP102 hy.</b>	<b>TCP122 hy.</b>



**PIATTO DI TAGLIO (1)**  
**CUTTING PLATE (1)**  
**PLATEAU DE COUPE (1)**  
**SCHNEIDWERKZEUG (1)**

1999
<b>008.0</b>
1 / 2

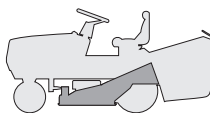


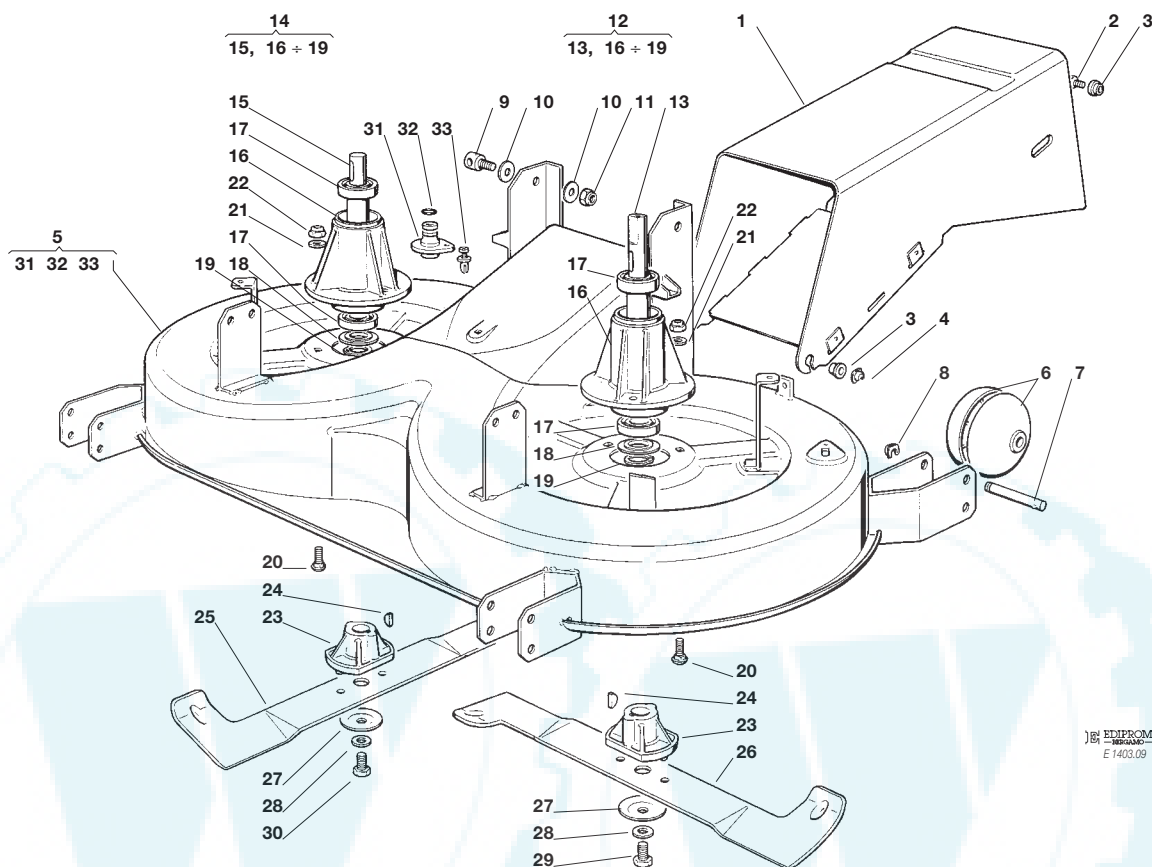
N.	CODE	Q.TY	DESCRIZIONE	DESCRIPTION	DESCRIPTION	BESCHREIBUNG
1	25318120/0	1	LEVA INNESTO	ENGAGING LEVER	LEVIER D'EMBRAYAGE	EINSCHALTENHEBEL
2	82774209/0	1	STAFFA LEVA	CLAMP LEVER	BRIDE POUR LEVIER	BRIDE FÜR HEBEL
3	25774211/1	1	STAFFA MOLLA	CLAMP SPRING	BRIDE POUR RESSORT	BRIDE FÜR FEDER
4	25430206/1	1	MOLLA	SPRING	RESSORT	FEDER
5	12674550/0	1	VITE	SCREW	SCROU	SCHRAUBE
6	12154510/0	1	DADO	NUT	ECROU	MUTTER
7	12791213/0	1	VITE	SCREW	VIS	SCHRAUBE
8	22672151/0	1	RONDELLA	WASHER	RONDELLE	SCHEIBE
9	12155010/0	1	DADO	NUT	ECROU	MUTTER
10	25394503/1	1	MANOPOLA	HANDLE	POIGNÉE	GRIFF
11	82004601/2	1	ASSIEME FILO (TC(P) 102)	WIRE ASS.Y (TC(P) 102)	ENSEMBLE FIL (TC(P) 102)	KABEL (TC(P) 102)
	82004602/3	1	ASSIEME FILO (TC(P) 122)	WIRE ASS.Y (TC(P) 122)	ENSEMBLE FIL (TC(P) 122)	KABEL (TC(P) 122)
18	22061337/0	1	CAVALLOTTO	CONNECTING PLATE	PLAQUE DE CONNEXION	BUGEL BOLZEN
19	12292100/0	2	DADO	NUT	ECROU	MUTTER
20	12521350/0	1	RONDELLA	WASHER	RONDELLE	SCHEIBE
21	12523060/0	1	RONDELLA	WASHER	RONDELLE	SCHEIBE
31	82547003/1	1	PIASTRA (TC(P) 102)	PLATE (TC(P) 102)	PLATE (TC(P) 102)	PLATTE (TC(P) 102)
	82547005/0	1	PIASTRA (TC(P) 122)	PLATE (TC(P) 122)	PLATE (TC(P) 122)	PLATTE (TC(P) 122)
32	12792611/0	4	VITE	SCREW	VIS	SCHRAUBE
33	12293201/0	4	DADO	NUT	ECROU	MUTTER
34	82785084/1	1	SUPPORTO	SUPPORT	SUPPORT	HALTERSATZ
35	25601559/1	2	PULEGGIA (TC(P) 102)	PULLEY (TC(P) 102)	POULIE (TC(P) 102)	RIEMENSCHLEIBE (TC(P) 102)
	25601561/0	2	PULEGGIA (TC(P) 122)	PULLEY (TC(P) 122)	POULIE (TC(P) 122)	RIEMENSCHLEIBE (TC(P) 122)





N.	CODE	Q.TY	DESCRIZIONE	DESCRIPTION	DESCRIPTION	BESCHREIBUNG
36	19216033/1	2	CUSCINETTO	BEARING	ROULEMENT	KUEGELLAGER
37	12610800/0	2	SEEGER	SEEGER	SEEGER	SEEGER
38	12609200/0	2	SEEGER	SEEGER	SEEGER	SEEGER
39	25650037/0	1	RINF. PULEGGE	PULLEY STIFFENING	REINFORCEMENT DES POULIE	RIEMENSCHLEIBE VERSTAERKUNG
40	12793102/0	2	VITE	SCREW	VIS	SCHRAUBE
41	12521350/0	2	RONDELLA	WASHER	RONDELLE	SCHLEIBE
42	12583500/0	2	GROWER	GROWER	GROWER	GROWER
43	25160003/0	4	DISTANZIALE	SPACER	ENTRETOISE	DISTANZRING
44	25038000/0	4	BOCCOLA	BUSHING	DOUILLE	BUCHSE
45	12691700/0	1	VITE	SCREW	VIS	SCHRAUBE
46	12691200/0	3	VITE	SCREW	VIS	SCHRAUBE
47	12521350/0	5	RONDELLA	WASHER	RONDELLE	SCHLEIBE
48	12155000/0	4	DADO	NUT	ECROU	MUTTER
49	12793900/0	1	VITE	SCREW	VIS	SCHRAUBE
50	12293200/0	1	DADO	NUT	ECROU	MUTTER
51	25601560/0	2	PULEGGIA (TC(P) 102)	PULLEY (TC(P) 102)	POULIE (TC(P) 102)	RIEMENSCHLEIBE (TC(P) 102)
	25601562/0	2	PULEGGIA (TC(P) 122)	PULLEY (TC(P) 122)	POULIE (TC(P) 122)	RIEMENSCHLEIBE (TC(P) 122)
52	12139480/0	3	CHIAVETTA	KEY	CLAVETTE	KEIL
53	12793102/0	1	VITE	SCREW	VIS	SCHRAUBE
54	25670007/0	1	RONDELLA	WASHER	RONDELLE	SCHLEIBE
55	12583500/0	1	GROWER	GROWER	GROWER	GROWER
56	35065600/0	1	CINGHIA (TC(P) 102)	BELT (TC(P) 102)	COURROIRE (TC(P) 102)	KEILRIEMEN (TC(P) 102)
	35065601/0	1	CINGHIA (TC(P) 122)	BELT (TC(P) 122)	COURROIRE (TC(P) 122)	KEILRIEMEN (TC(P) 122)
57	12815200/0	3	VITE	SCREW	VIS	SCHRAUBE
58	12292102/0	3	DADO	NUT	ECROU	MUTTER
59	25060100/1	1	CARTER (TC(P) 102)	CASE (TC(P) 102)	CARTER (TC(P) 102)	BLECH (TC(P) 102)
	25060101/0	1	CARTER (TC(P) 122)	CASE (TC(P) 122)	CARTER (TC(P) 122)	BLECH (TC(P) 122)
60	12735110/0	6	VITE	SCREW	VIS	SCHRAUBE
62	25601550/0	1	PULEGGIA (TC(P) 102)	PULLEY (TC(P) 102)	POULIE (TC(P) 102)	RIEMENSCHLEIBE (TC(P) 102)
	25601549/0	1	PULEGGIA (TC(P) 122)	PULLEY (TC(P) 122)	POULIE (TC(P) 122)	RIEMENSCHLEIBE (TC(P) 122)
63	12793102/0	1	VITE	SCREW	VIS	SCHRAUBE
64	25670007/0	1	RONDELLA	WASHER	RONDELLE	SCHLEIBE
65	12583500/0	1	GROWER	GROWER	GROWER	GROWER
66	25160002/0	1	DISTANZIALE	SPACER	ENTRETOISE	DISTANZRING
67	25318115/0	1	LEVA FRENO (TC(P) 102)	BRAKE LEVER (TC(P) 102)	LEVIER FREIN (TC(P) 102)	BREMSHEBEL (TC(P) 102)
	25318119/0	1	LEVA FRENO (TC(P) 122)	BRAKE LEVER (TC(P) 122)	LEVIER FREIN (TC(P) 122)	BREMSHEBEL (TC(P) 122)
68	25207000/1	1	FERODO	LINING	PASTILLE FREIN	BREMSBELAG
69	12771400/0	2	VITE	SCREW	VIS	SCHRAUBE
70	12154330/0	2	DADO	NUT	ECROU	MUTTER
71	25601555/0	1	PULEGGIA	PULLEY	POULIE	RIEMENSCHLEIBE
72	25160007/0	1	DISTANZIALE	SPACER	ENTRETOISE	DISTANZRING
73	12818900/0	1	VITE	SCREW	VIS	SCHRAUBE
74	12523060/0	1	RONDELLA	WASHER	RONDELLE	SCHLEIBE
75	12155000/0	1	DADO	NUT	ECROU	MUTTER
76	12793102/0	1	VITE	SCREW	VIS	SCHRAUBE
77	12523070/0	1	RONDELLA	WASHER	RONDELLE	SCHLEIBE
78	12583500/0	1	GROWER	GROWER	GROWER	GROWER
79	25430210/0	1	MOLLA FRENO LAMA (TC(P) 102)	BLADE BRAKE SPRING (TC(P) 102)	RESSORT FREIN LAME (TC(P) 102)	MESSER BREMSE FEDER (TC(P) 102)
	25430220/0	1	MOLLA FRENO LAMA (TC(P) 122)	BLADE BRAKE SPRING (TC(P) 122)	RESSORT FREIN LAME (TC(P) 122)	MESSER BREMSE FEDER (TC(P) 122)
80	35062813/0	1	CINGHIA (TC(P) 102)	BELT (TC(P) 102)	COURROIE (TC(P) 102)	KEIL RIEMEN (TC(P) 102)
	35062814/0	1	CINGHIA (TC(P) 122)	BELT (TC(P) 122)	COURROIE (TC(P) 122)	KEIL RIEMEN (TC(P) 122)
91	25600000/0	1	PROTEZIONE CINGHIA POST. (TC(P) 102)	REAR BELT PROTECTION (TC(P) 102)	PROTECTION COURROIRE POSTERIEURE (TC(P) 102)	HINTERR RIEMENSCHUTZ (TC(P) 102)
	25600008/0	1	PROTEZIONE CINGHIA POST. (TC(P) 122)	REAR BELT PROTECTION (TC(P) 122)	PROTECTION COURROIRE POSTERIEURE (TC(P) 122)	HINTERR RIEMENSCHUTZ (TC(P) 122)
92	12735402/0	4	VITE	SCREW	VIS	SCHRAUBE

<b>TC102</b>	<b>TC102 hy.</b>	<b>TC122 hy.</b>		<b>PIATTO DI TAGLIO (2)</b>	1999
<b>TCP102</b>	<b>TCP102 hy.</b>	<b>TCP122 hy.</b>		<b>CUTTING PLATE (2)</b>	<b>009.0</b>
				<b>PLATEAU DE COUPE (2)</b>	1 / 2
				<b>SCHNEIDWERKZEUG (2)</b>	



HEIPROM  
E 1403.09

N.	CODE	Q.TY	DESCRIZIONE	DESCRIPTION	DESCRIPTION	BESCHREIBUNG
1	82108004/0	1	CONVOGIATORE POSTER.	REAR CONVEYOR ASS.Y	ENS. CONVOYEUR POST.	HINTERLEITBLECHSATZ
2	12793102/0	2	VITE	SCREW	VIS	SCHRAUBE
3	25038002/0	4	BOCCOLA	BUSHING	DOUILLE	BUCHSE
4	12436050/0	2	PIASTRINA	PLATE	PLAQUE	PLATTE
5	82565005/0	1	ASSIEME PIATTO DI TAGLIO (+32-33-34) <b>(TC(P) 102)</b>	CUTTING PLATE ASS.Y (+32-33-34) <b>(TC(P) 102)</b>	ENS. PLATEAU DE COUPE (+32-33-34) <b>(TC(P) 102)</b>	SCHNEIDWERKZEUG (+32-33-34) <b>(TC(P) 102)</b>
	82565008/0	1	ASSIEME PIATTO DI TAGLIO (+32-33-34) <b>(TC(P) 122)</b>	CUTTING PLATE ASS.Y (+32-33-34) <b>(TC(P) 122)</b>	ENS. PLATEAU DE COUPE (+32-33-34) <b>(TC(P) 122)</b>	SCHNEIDWERKZEUG (+32-33-34) <b>(TC(P) 122)</b>
6	82700000/0	4	RUOTINO ANTISCALPO	LEVELLING SMALL WHEEL	ROULETTES ANTISCALP	EBENUNGRAEDCHEN
7	25510006/0	4	PERNO	PIN	PIVOT	BOLZEN
8	12436030/0	4	PIASTRINA	PLATE	PLAQUE	PLATTE
9	25510024/0	4	PERNO	PIN	PIVOT	BOLZEN
10	25670008/0	8	RONDELLA	WASHER	RONDELLE	SCHEIBE
11	12156602/0	4	DADO	NUT	ECROU	MUTTER
12	82207200/1	1	ASS. FLANGIA ALBERO PRINCIPALE (13, 16÷19)	BLADE MAIN SHAFT SUPPORT (13, 16÷19)	SUPPORT ARBRE LAME PRINCIPAL (13, 16÷19)	MASSERWELLEHAFT- SATZ (13, 16÷19)
13	25020800/1	1	ALBERO LAMA PRINCIPALE	MAIN BLADE SHAFT	ARBRE LAME PRINCIPAL	HAUP MESSERWELLE
14	82207201/2	1	ASS. FLANGIA ALBERO SECONDARIO (15,16÷19)	BLADE SECONDARY SHAFT SUPPORT (15, 16÷19)	SUPPORT ARBRE LAME SECONDAIRE (15,16÷19)	MASSERWELLE ZWEITER- SATZ (15,16÷19)
15	25020801/2	1	ALBERO LAMA SECONDARIO	SECONDARY BLADE SHAFT	ARBRE LAME SECONDAIRE	ZWEITE MESSERWELLE
16	25207200/0	2	FLANGIA ALBERO LAMA	BLADE SHAFT SUPPORT	SUPPORT ARBRE LAME	MESSERWELLE
17	19216032/0	4	CUSCINETTO	BEARING	ROULEMENT	KUEGELLAGER
18	25160501/0	2	DISCO PARAPOLVERE	DUST COVER	PROTEGE-POUSSIERE	STAUBSCHUTTSCHIBE
19	12609260/0	2	SEEGER	SEEGER	SEEGER	SEEGER
20	12818700/0	6	VITE	SCREW	VIS	SCHRAUBE
21	12521350/0	6	RONDELLA	WASHER	RONDELLE	SCHEIBE
22	12155000/0	6	DADO	NUT	ECROU	MUTTER
23	25463200/0	2	MOZZO COLTELLO	BLADE HUB	MOYEU LAME	MESSERHALTER
24	12139100/0	2	LINGUETTA	KEY	CLAVETTE	KEIL
25	82004341/0	1	COLTELLO DX <b>(TC(P) 102)</b>	RIGHT BLADE <b>(TC(P) 102)</b>	LAME DROITE <b>(TC(P) 102)</b>	RECHTER MESSER <b>(TC(P) 102)</b>





TC102 • TCP102 • TC102hy. • TCP102hy. • TC122hy. • TCP122hy.

1999

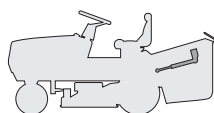
009.0

2 / 2

N.	CODE	Q.TY	DESCRIZIONE	DESCRIPTION	DESCRIPTION	BESCHREIBUNG
	82004343/0	1	COLTELLO DX <b>(TC(P) 122)</b>	RIGHT BLADE <b>(TC(P) 122)</b>	LAME DROITE <b>(TC(P) 122)</b>	RECHTER MESSER <b>(TC(P) 122)</b>
26	82004340/0	1	COLTELLO SX <b>(TC(P) 102)</b>	LEFT BLADE <b>(TC(P) 102)</b>	LAME GAUCHE <b>(TC(P) 102)</b>	LINKER MESSER <b>(TC(P) 102)</b>
	82004342/0	1	COLTELLO SX <b>(TC(P) 122)</b>	LEFT BLADE <b>(TC(P) 122)</b>	LAME GAUCHE <b>(TC(P) 122)</b>	LINKER MESSER <b>(TC(P) 122)</b>
27	22160400/0	2	DISCO ELASTICO	ELASTIC WASHER	RONDELLE ELASTIQUE	FEDERSCHEIBE
28	12523080/0	2	RONDELLA	WASHER	RONDELLE	SCHEIBE
29	12735694/0	1	VITE	SCREW	VIS	SCHRAUBE
30	12735695/1	1	VITE	SCREW	VIS	SCHRAUBE
31	25033060/0	2	ATTACCO TUBO ACQUA	WATER HOSE CONNECTION	RACCORD TUYAU D'EAU	WASSERANSCHLUSS
32	19035000/0	2	ANELLO OR	O RING	O RING	O RING
33	12500030/0	2	RIVETTO	RIVET	RIVET	NIET
—	82565000/1	1	PIATTO DI TAGLIO ASSEMBLATO <b>(TC(P) 102)</b> <b>(008, 31÷92 + 009, 5÷33)</b>	CUTTING PLATE, ASSEMBLED <b>(TC(P) 102)</b> <b>(008, 31÷92 + 009, 5÷33)</b>	PLATEAU DE COUPE,S COMPLETE <b>(TC(P) 102)</b> <b>(008, 31÷92 + 009, 5÷33)</b>	CHNEIDWERKZEUG, KOMPLETT <b>(TC(P) 102)</b> <b>(008, 31÷92 + 009, 5÷33)</b>
—	82565003/1	1	PIATTO DI TAGLIO, ASSEMBLATO <b>(TC(P) 122)</b> <b>(008, 31÷92 + 009, 5÷33)</b>	CUTTING PLATE, ASSEMBLED <b>(TC(P) 122)</b> <b>(008, 31÷92 + 009, 5÷33)</b>	PLATEAU DE COUPE,S COMPLETE <b>(TC(P) 122)</b> <b>(008, 31÷92 + 009, 5÷33)</b>	CHNEIDWERKZEUG, KOMPLETT <b>(TC(P) 122)</b> <b>(008, 31÷92 + 009, 5÷33)</b>

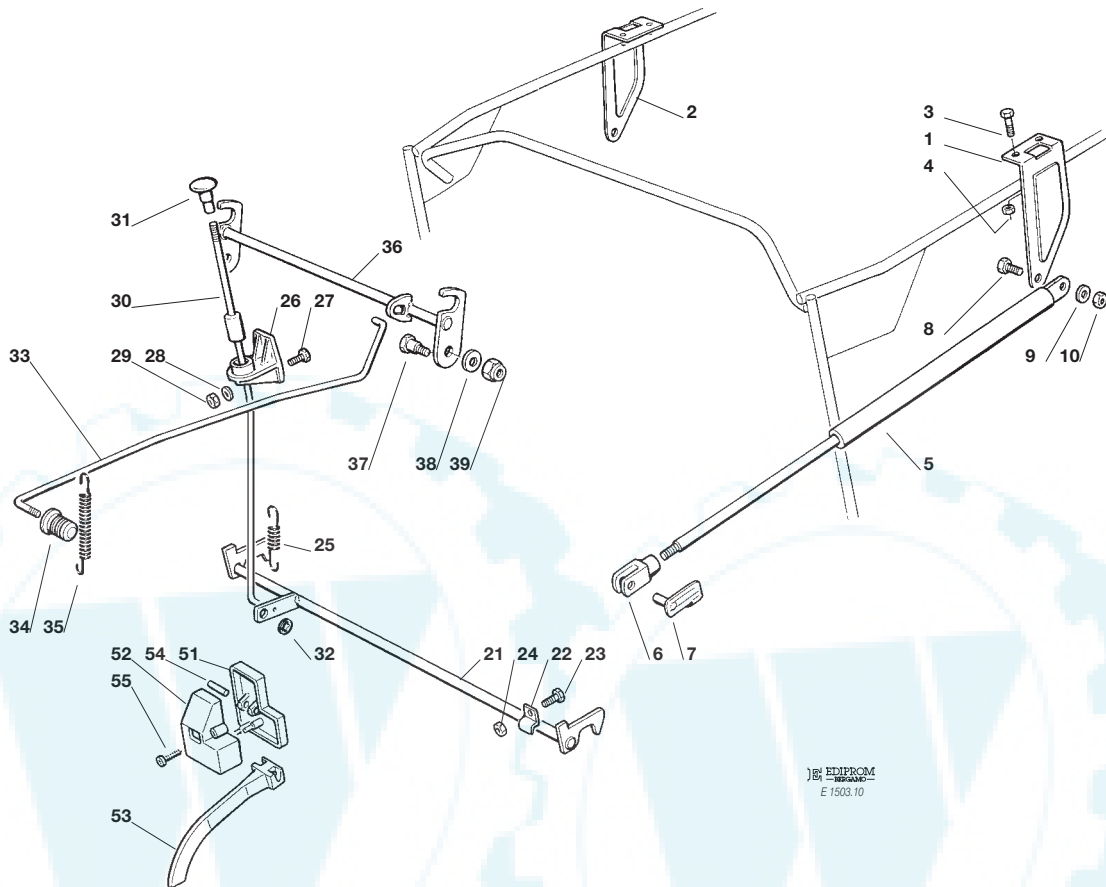


<b>TC102</b>	<b>TC102 hy.</b>	<b>TC122 hy.</b>
<b>TCP102</b>	<b>TCP102 hy.</b>	<b>TCP122 hy.</b>



SOLLEVAMENTO SACCO E MICRO SACCO PIENO  
 LIFTING DEVICE AND FULL GRASSCAT. MICRO  
 SOULEVEMENT BAC ET MICRO BAC PLEIN  
 AUSHEBENVORR. UND VOLLKORB EIN RICHTUNG


1999
<b>010.0</b>
1 / 2



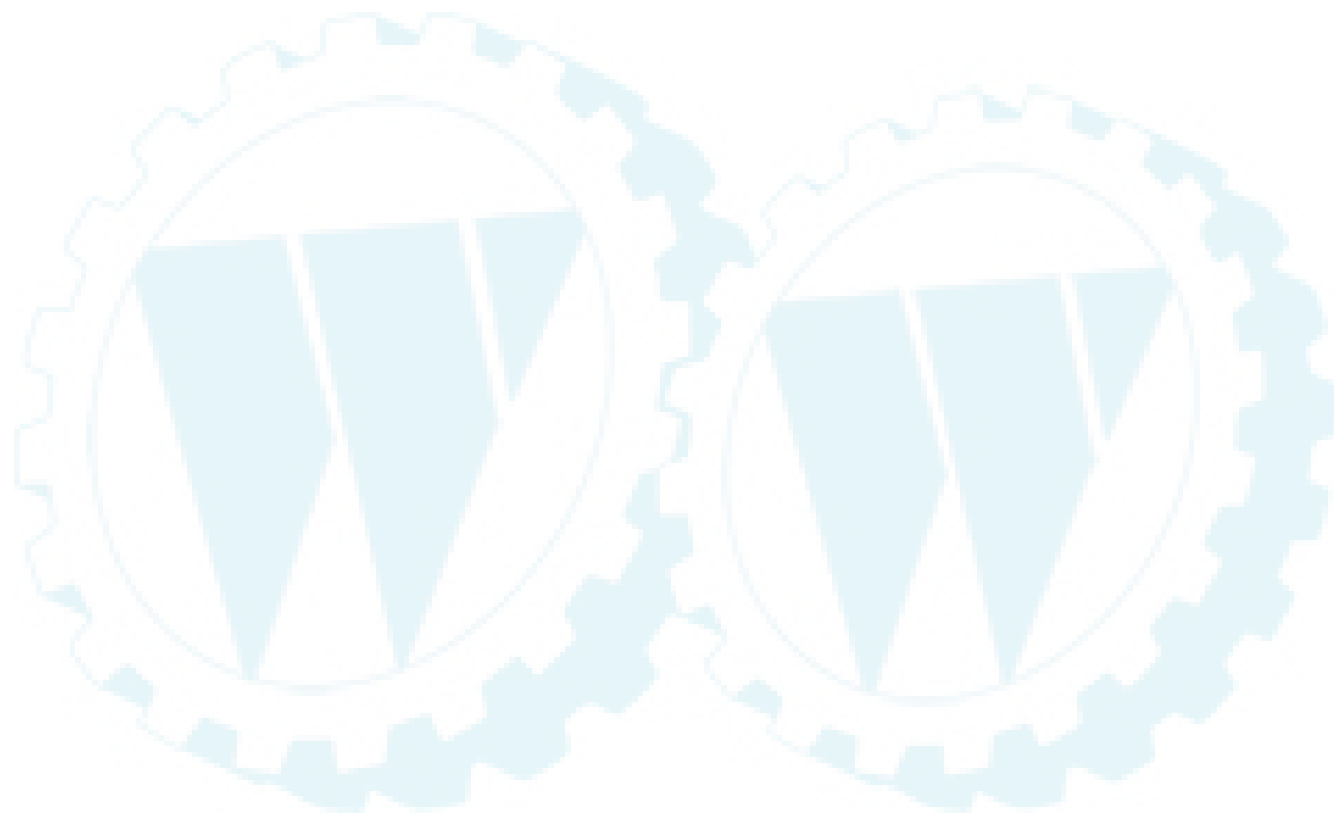
JEH EPICROM  
E 1503.10

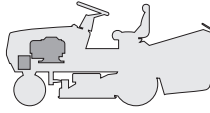
N.	CODE	Q.TY	DESCRIZIONE	DESCRIPTION	DESCRIPTION	BESCHREIBUNG
1	25547005/0	1	PIASTRA SX	LEFT PLATE	PLAQUE GAUCHE	LINKE PLATTE
2	25547007/0	1	PIASTRA DX	RIGHT PLATE	PLAQUE DROITE	RECHTE PLATTE
3	12792611/0	4	VITE	SCREW	VIS	SCHRAUBE
4	12293201/0	4	DADO	NUT	ECROU	MUTTER
5	18564600/0	2	PISTONE SOLLEVAMENTO	LIFTING PISTON	RESSORT A GAZ	GASFEDER
6	18399000/0	2	FORCELLA	FORK	FOURCHE	GABEL
7	18210200/0	2	CLIP	CLIP	CLIP	SPERRBOLZEN
8	12793101/0	2	VITE	SCREW	VIS	SCHRAUBE
9	12521350/0	2	ROSETTA	WASHER	RONDELLE	SCHEIBE
10	12155000/0	2	DADO	NUT	ECROU	MUTTER
21	82000357/0	1	ASTA AGGANCIAMENTO SACCO INF.	LOWER COUPLING ROD	TIGE D'ACCROCHAGE INF.	UNTERE KUPPLUNGSTANGE
22	25774220/0	2	STAFFA ANCORAGGIO	ANCHOR BRACKET	ETRIER	BRIDE
23	12791200/0	4	VITE	SCREW	VIS	SCHRAUBE
24	12292102/0	2	DADO	NUT	ECROU	MUTTER
25	25430220/0	1	MOLLA	SPRING	RESSORT	FEDER
26	25785055/0	1	SUPPORTO GUIDA ASTA	SUPPORT	SUPPORT	SUPPORT
27	12791200/0	1	VITE	SCREW	VIS	SCHRAUBE
28	12521330/0	1	ROSETTA	WASHER	RONDELLE	SCHEIBE
29	12154510/0	1	DADO	NUT	ECROU	MUTTER
30	82000462/0	1	ASTA SGANCIO	RELEASE ROD	TIGE DE DECROCHAGE	ENTKUPPLUNGSTANGE
31	82394507/0	1	MANOPOLA	HANDLE	POIGNEE	GRIFF
32	12604898/0	1	RONDELLA DI RITEGNO	WASHER	RONDELLE	SCHEIBE
33	25033015/0	1	ASTA BLOCCAGGIO	LOCKING ROD	TIGE DE BLOCAGE	KLEMENSTANGE
	25033018/0	1	ASTA BLOCCAGGIO (hydro)	LOCKING ROD (hydro)	TIGE DE BLOCAGE (hydro)	KLEMENSTANGE (hydro)
34	25394500/1	1	MANOPOLA	HANDLE	POIGNEE	GRIFF
35	25430213/0	1	MOLLA	SPRING	RESSORT	FEDER
36	82000355/0	1	ASTA AGGANCIAMENTO SACCO SUP.	UPPER COUPLING ROD	TIGE D'ACCROCHAGE SUP.	OBERE KUPPLUNGSTANGE
37	25510038/0	2	PERNO	PIN	PIVOT	BOLZEN

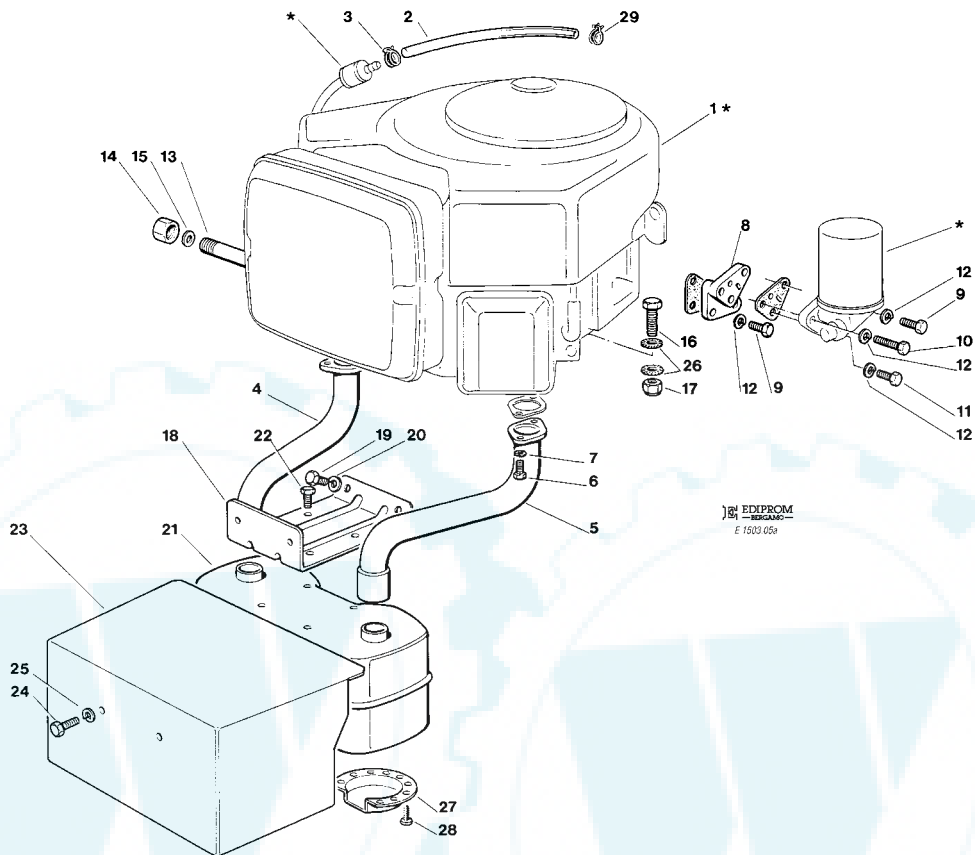


	<b>TC102 • TCP102 • TC102hy. • TCP102hy. • TC122hy. • TCP122hy.</b>	1999	<b>010.0</b>	2 / 2
---	---	------	--------------	-------

N.	CODE	Q.TY	DESCRIZIONE	DESCRIPTION	DESCRIPTION	BESCHREIBUNG
38	12521350/0	2	ROSETTA	WASHER	RONDELLE	SCHEIBE
39	12155000/0	2	DADO	NUT	ECROU	MUTTER
51	25600040/0	1	COPERCHIO PROTEZIONE	PROTECTION	PROTECTION	SHUTZ
52	25600039/0	1	PROTEZIONE MICRO	MICRO PROTECTION	PROTECTION MICRO	SCHUTZ
53	25318112/0	1	LEVA	LEVER	LEVIER	HEBEL
54	12400030/0	1	PERNO	PIN	PIVOT	BOLZEN
55	12728440/0	2	VITE	SCREW	VIS	SCHRAUBE




<b>TC102</b>	<b>TC102 hy.</b>	<b>TC122 hy.</b>		<b>MOTORE</b> <b>ENGINE</b> <b>MOTEUR</b> <b>MOTOR</b> <b>16 - 18 HP B&amp;S</b>	1999
<b>TCP102</b>	<b>TCP102 hy.</b>	<b>TCP122 hy.</b>			<b>005a.0</b>
					1 / 2



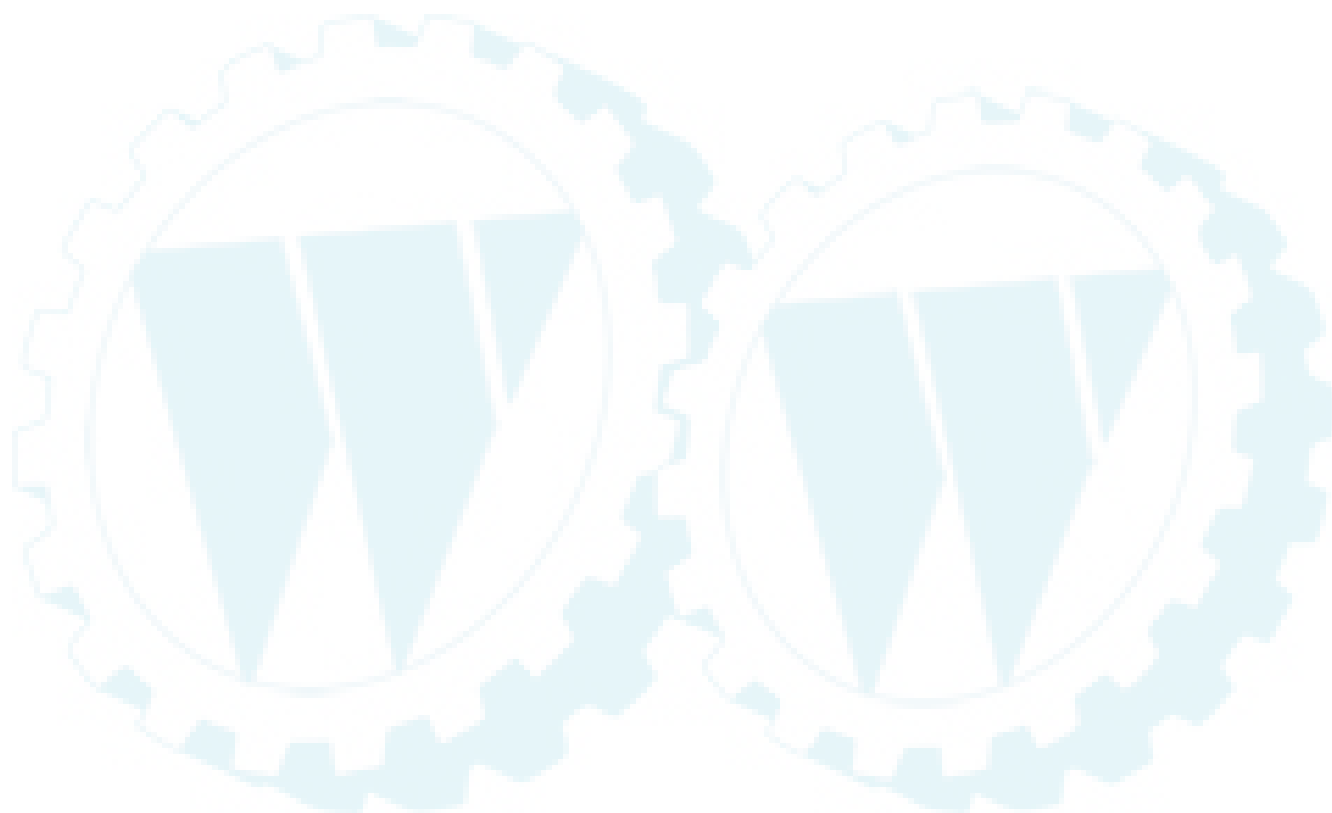
N.	CODE	Q.TY	DESCRIZIONE	DESCRIPTION	DESCRIPTION	BESCHREIBUNG
1★	—	1	MOTORE	ENGINE	MOTEUR	MOTOR
2	25869017/0	1	TUBO COLLEGAMENTO	CONNECTING TUBE	TUBE DE CONNEXION	VERBINDUNGSRÖHR
3	18375051/1	1	FASCETTA	FAIR LED	FIXATION DE CABLE	KABELBEFESTIGUNG
4★	18738202/0	1	TUBO RACCORDO SCARICO DX	EXHAUST RIGHT CONNECTING TUBE	TUBE DE CONNEXION DROIT POUR ECHAPP.	RECHTES VERBINDUNGS- RÖHR FÜR ABGASUNG
5★	18738203/0	1	TUBO RACCORDO SCARICO SX	EXHAUST LEFT CONNECTING TUBE	TUBE DE CONNEXION GAUCHE POUR ECHAPP.	LINKES VERBINDUNGS- RÖHR FÜR ABGASUNG
6	12793101/0	4	VITE	SCREW	VIS	SCHRAUBE
7	12583500/0	4	GROWER	GROWER	GROWER	GROWER
8	25785095/0	1	SUPPORTO FILTRO	FILTER SUPPORT	SUPPORTE DU FILTRE	WECHSELFILTER HALTER
9	12791400/0	3	VITE	SCREW	VIS	SCHRAUBE
10	12689515/0	1	VITE	SCREW	VIS	SCHRAUBE
11	12791213/0	1	VITE	SCREW	VIS	SCHRAUBE
12	12582100/0	5	GROWER	GROWER	GROWER	GROWER
13	25598050/0	1	PROLUNGA SCARICO OLIO	OIL DISCHARGE EXTENSION	EXTENSION RALLONGE DE DECH. HUILE	ÖL ENTLEERUNGSVERLÄEN- GERUNG
14	18737849/0	1	TAPPO PROLUNGA	OIL CAP	BOUCHON HUILE	OELVERSCHLUSS
15	18401001/0	1	GUARNIZIONE	OIL SEAL	GARNITURE	DICHTUNG
16	12691100/0	4	VITE	SCREW	VIS	SCHRAUBE
17	12293201/0	3	DADO	NUT	ECROU	MUTTER
	12293200/0	1	DADO	NUT	ECROU	MUTTER
18	82785093/0	1	PROTEZIONE SILENZIATORE	MUFFLER PROTECTION	PROTECTION SILENCIEUX	AUSPUFFSCHUTZ
19	12793102/0	2	VITE	SCREW	VIS	SCHRAUBE
20	12583500/0	2	GROWER	GROWER	GROWER	GROWER
21★	18716131/1	1	SILENZIATORE COMPLETO DI DEFLETTORE	MUFFLER WITH DEFLECTOR	SILENCIEUX AVEC DEFLECTEUR	AUSPUFF MIT DEFLEKTOR
22	12735107/0	4	VITE	SCREW	VIS	SCHRAUBE
23	82598005/1	1	PROTEZIONE	GUARD	PROTECTION	SCHUTZE
24	12792610/0	2	VITE	SCREW	VIS	SCHRAUBE
25	12583500/0	2	GROWER	GROWER	GROWER	GROWER
26	12540260/0	2	RONDELLA	WASHER	RONDELLE	SCHEIBE



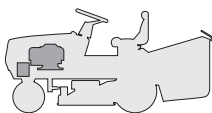
	<b>TC102 • TCP102 • TC102hy. • TCP102hy. • TC122hy. • TCP122hy.</b>	1999	<b>005a.0</b>	2 / 2
---	---	------	---------------	-------

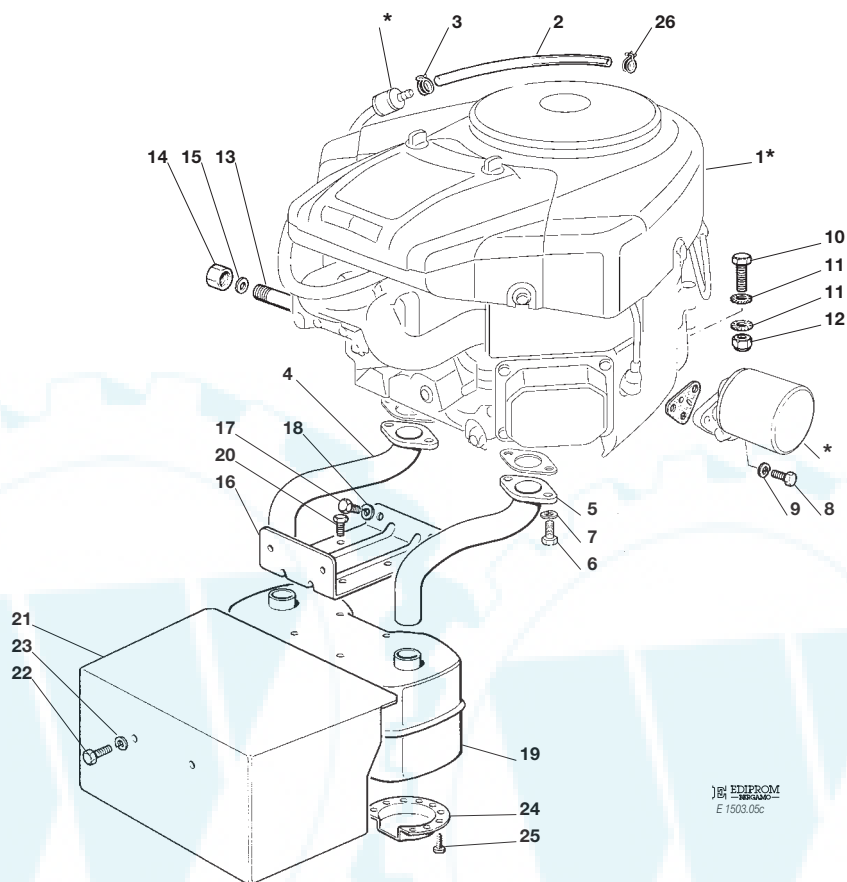
N.	CODE	Q.TY	DESCRIZIONE	DESCRIPTION	DESCRIPTION	BESCHREIBUNG
27	18310005/0	1	DEFLETTORE	DEFLECTOR	DEFLECTEUR	DEFLEKTOR
28	12735106/0	4	VITE	SCREW	VIS	SCHRAUBE
29	18375053/0	1	FASCETTA	FAIR LED	FIXATION DE CABLE	KABELBEFESTIGUNG

PER LA SOSTITUZIONE DELLE PARTI CONTRASSEGNAE CON «\*» RIVOLGERSI AL SERVIZIO ASSISTENZA DEL COSTRUTTORE DEL MOTORE.  
TO REPLACE THE PARTS MARKED «\*» SEEK ASSISTANCE FROM THE ENGINE MANUFACTURER'S AFTER SALES SERVICE.  
POUR LE REMPLACEMENT DES PIÈCES MARQUÉES AVEC «\*» S'ADRESSER AU SERVICE APRÈS VENTES DU CONSTRUCTEUR DU MOTEUR.  
ZUM AUSTAUSCH DER MIT «\*» GEKENNZEICHNETEN TEILE, WENDEN SIE SICH AN DEN KUNDENDIENST DES HERSTELLERS DES MOTOR.





TC102	TC102 hy.	TC122 hy.		<b>MOTORE</b> <b>ENGINE</b> <b>MOTEUR</b> <b>MOTOR</b> <b>20 HP B&amp;S</b>	1999
TCP102	TCP102 hy.	TCP122 hy.			<b>005c.0</b>
					1 / 2



EDIPROM  
E 1503.05c

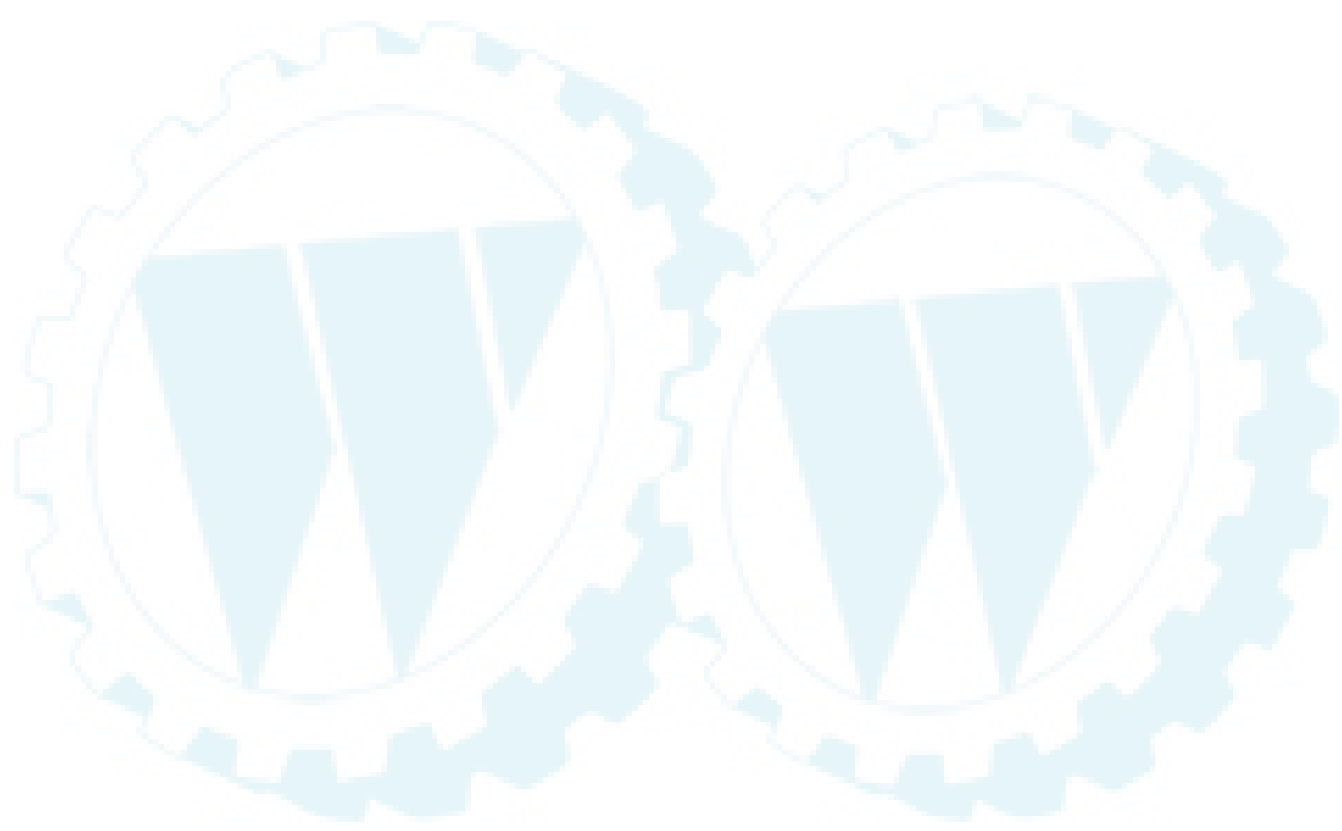
N.	CODE	Q.TY	DESCRIZIONE	DESCRIPTION	DESCRIPTION	BESCHREIBUNG
1*	—	1	MOTORE	ENGINE	MOTEUR	MOTOR
2	25869016/0	1	TUBO COLLEGAMENTO	CONNECTING TUBE	TUBE DE CONNEXION	VERBINDUNGSRÖHR
3	18375051/1	1	FASCETTA	FAIR LED	FIXATION DE CABLE	KABELBEFESTIGUNG
4*	18738214/0	1	TUBO RACCORDO SCARICO DX	EXHAUST RIGHT CONNECTING TUBE	TUBE DE CONNEXION DROIT POUR ECHAPP.	RECHTES VERBINDUNGS- RÖHR FÜR ABGASUNG
5*	18738215/0	1	TUBO RACCORDO SCARICO SX	EXHAUST LEFT CONNECTING TUBE	TUBE DE CONNEXION GAUCHE POUR ECHAPP.	LINKES VERBINDUNGS- RÖHR FÜR ABGASUNG
6	12735530/0	4	VITE	SCREW	VIS	SCHRAUBE
7	12583500/0	4	GROWER	GROWER	GROWER	GROWER
8	12791400/0	3	VITE	SCREW	VIS	SCHRAUBE
9	12582100/0	3	GROWER	GROWER	GROWER	GROWER
10	12691100/0	4	VITE	SCREW	VIS	SCHRAUBE
11	12540260/0	2	RONDELLA	WASHER	RONDELLE	SCHEIBE
12	12293201/0	3	DADO	NUT	ECROU	MUTTER
	12293200/0	1	DADO	NUT	ECROU	MUTTER
13	25598050/0	1	PROLUNGA SCARICO OLIO	OIL DISCHARGE EXTENSION	EXTENSION RALLONGE DE DECH. HUILE	ÖL ENTLEERUNGSVERLAEN- GERUNG
14	18737849/0	1	TAPPO PROLUNGA	OIL CAP	BOUCHON HUILE	OELVERSCHLUSS
15	18401001/0	1	GUARNIZIONE	OIL SEAL	GARNITURE	DICHTUNG
16	82785093/0	1	PROTEZIONE SILENZIATORE	MUFFLER PROTECTION	PROTECTION SILENCIEUX	AUSPUFFSCHUTZ
17	12793102/0	2	VITE	SCREW	VIS	SCHRAUBE
18	12583500/0	2	GROWER	GROWER	GROWER	GROWER
19*	18716131/1	1	SILENZIATORE COMPLETO DI DEFLETTORE	MUFFLER WITH DEFLECTOR	SILENCEUX AVEC DEFLECTEUR	AUSPUFF MIT DEFLEKTOR
20	12735107/0	4	VITE	SCREW	VIS	SCHRAUBE
21	82598005/1	1	PROTEZIONE	GUARD	PROTECTION	SCHUTZE
22	12792610/0	2	VITE	SCREW	VIS	SCHRAUBE
23	12583500/0	2	GROWER	GROWER	GROWER	GROWER
24	18310005/0	1	DEFLETTORE	DEFLECTOR	DEFLECTEUR	DEFLEKTOR
25	12735106/0	4	VITE	SCREW	VIS	SCHRAUBE
26	18375053/0	1	FASCETTA	FAIR LED	FIXATION DE CABLE	KABELBEFESTIGUNG

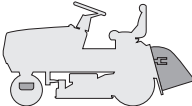


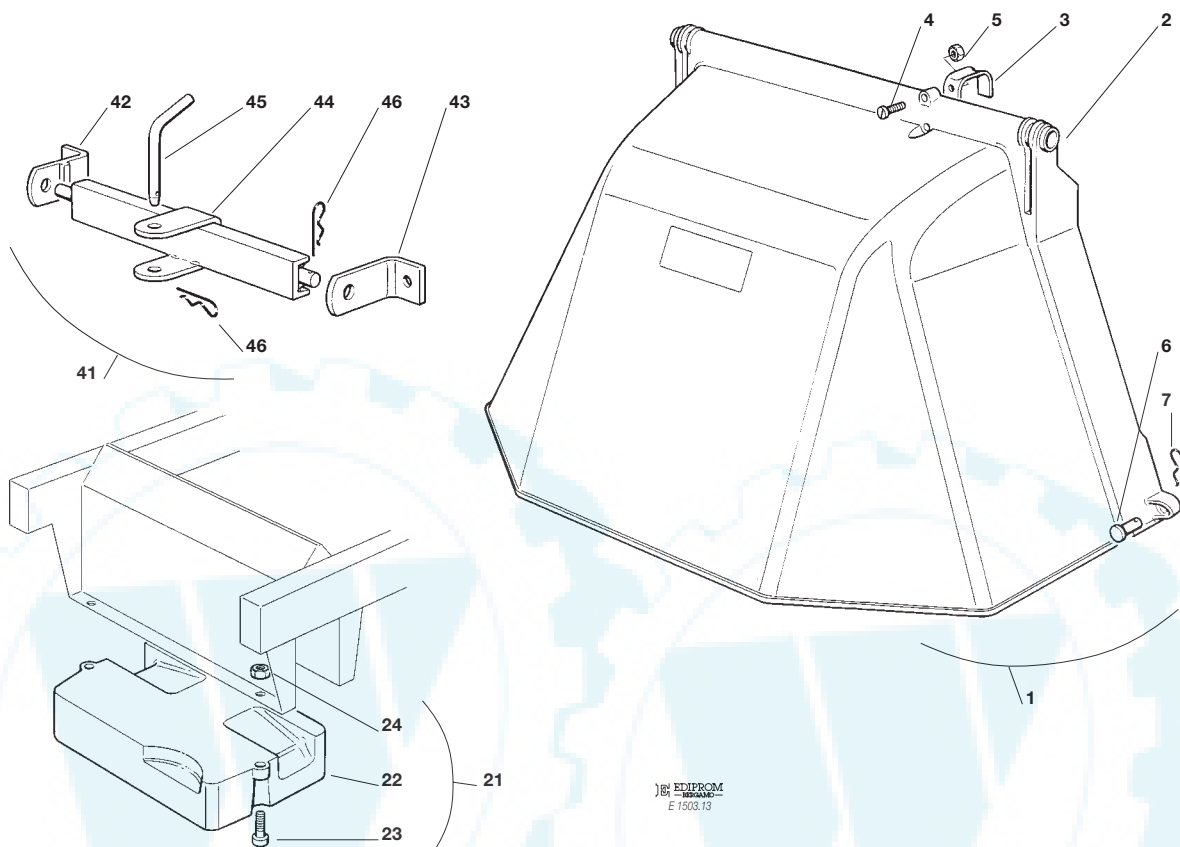
	TC102 • TCP102 • TC102hy. • TCP102hy. • TC122hy. • TCP122hy.	1999	005c.0	2 / 2
---	--	------	--------	-------

N.	CODE	Q.TY	DESCRIZIONE	DESCRIPTION	DESCRIPTION	BESCHREIBUNG
----	------	------	-------------	-------------	-------------	--------------

PER LA SOSTITUZIONE DELLE PARTI CONTRASSEGNALE CON «\*» RIVOLGERSI AL SERVIZIO ASSISTENZA DEL COSTRUTTORE DEL MOTORE.  
TO REPLACE THE PARTS MARKED «\*» SEEK ASSISTANCE FROM THE ENGINE MANUFACTURER'S AFTER SALES SERVICE.  
POUR LE REMPLACEMENT DES PIÈCES MARQUÉES AVEC «\*» S'ADRESSER AU SERVICE APRÈS VENTES DU CONSTRUCTEUR DU MOTEUR.  
ZUM AUSTAUSCH DER MIT «\*» GEKENNZEICHNETEN TEILE, WENDEN SIE SICH AN DEN KUNDENDIENST DES HERSTELLERS DES MOTOR.



<b>TC102</b>	<b>TC102 hy.</b>	<b>TC122 hy.</b>	 <b>ACCESSORI A RICHIESTA</b> <b>OPTIONALS ON REQUEST</b> <b>ACCESSOIRES SUR DEMANDE</b> <b>ZUBEHOERE NACH ANFRAGE</b>	1999
<b>TCP102</b>	<b>TCP102 hy.</b>	<b>TCP122 hy.</b>		<b>013.0</b>
				1 / 1



N.	CODE	Q.TY	DESCRIZIONE	DESCRIPTION	DESCRIPTION	BESCHREIBUNG
1	99900010/1	1	ASS. KIT PROTEZIONE USCITA	EJECTION-GUARD ASS.Y	KIT PROTECTION SORTIE	VORRICHTUNG FÜR AUSWURESCHUTZ
2	82400001/1	1	PROTEZIONE USCITA	EJECTION GUARD	PROTECTION SORTIE	AUSWURFSCHUTZ
3	25430216/0	1	MOLLA	SPRING	RESSORT	FEDER
4	12769100/0	2	VITE	SCREW	VIS	SCHRAUBE
5	12150000/0	1	DADO	NUT	ECROU	MUTTER
6	25510022/0	2	PERNO	PIN	PIVOT	BOLZEN
7	24487998/0	2	COPPIGLIA	COTTER PIN	GOUPILLE	SPLIT
21	99900030/4	1	ASS. KIT PESO ANT.	FRONT WEIGHT KIT	KIT POIDS ANTERIEUR	VORDERGEWICHT VORRICHTUNG
22	25519999/4	1	PESO	WEIGHT	POIDS	GEWICHT
23	12760512/0	3	VITE	SCREW	VIS	SCHRAUBE
24	12155000/0	3	DADO	NUT	ECROU	MUTTER
41	99900000/0	1	ASS. KIT TRAINO	HITCH KIT	KIT DE TRAINAGE	ZUGVORRICHTUNG
42	82735502/0	1	STAFFA SUPPORTO TRAINO DX	BRACKET RIGHT HITCH SUPPORT	ETRIER SUPPORT TRAINAGE DROITE	BUEGEL HALTER FÜR RECHTEN ZUG
43	25774213/0	1	STAFFA SUPPORTO TRAINO SX	BRACKET LEFT HITCH SUPPORT	ETRIER SUPPORT TRAINAGE GAUCHE	BUEGELHALTER FÜR LINKEN ZUG
44	82033101/0	1	BARRA	ROD	BARRE	STANGE
45	25510021/0	1	PERNO	PIN	PIVOT	BOLZEN
46	24487999/0	2	COPPIGLIA	COTTER PIN	GOUPILLE	SPLIT
-	18737950/0	1	TELO DI COPERTURA	CLOTH	BÂCHE	PLANE