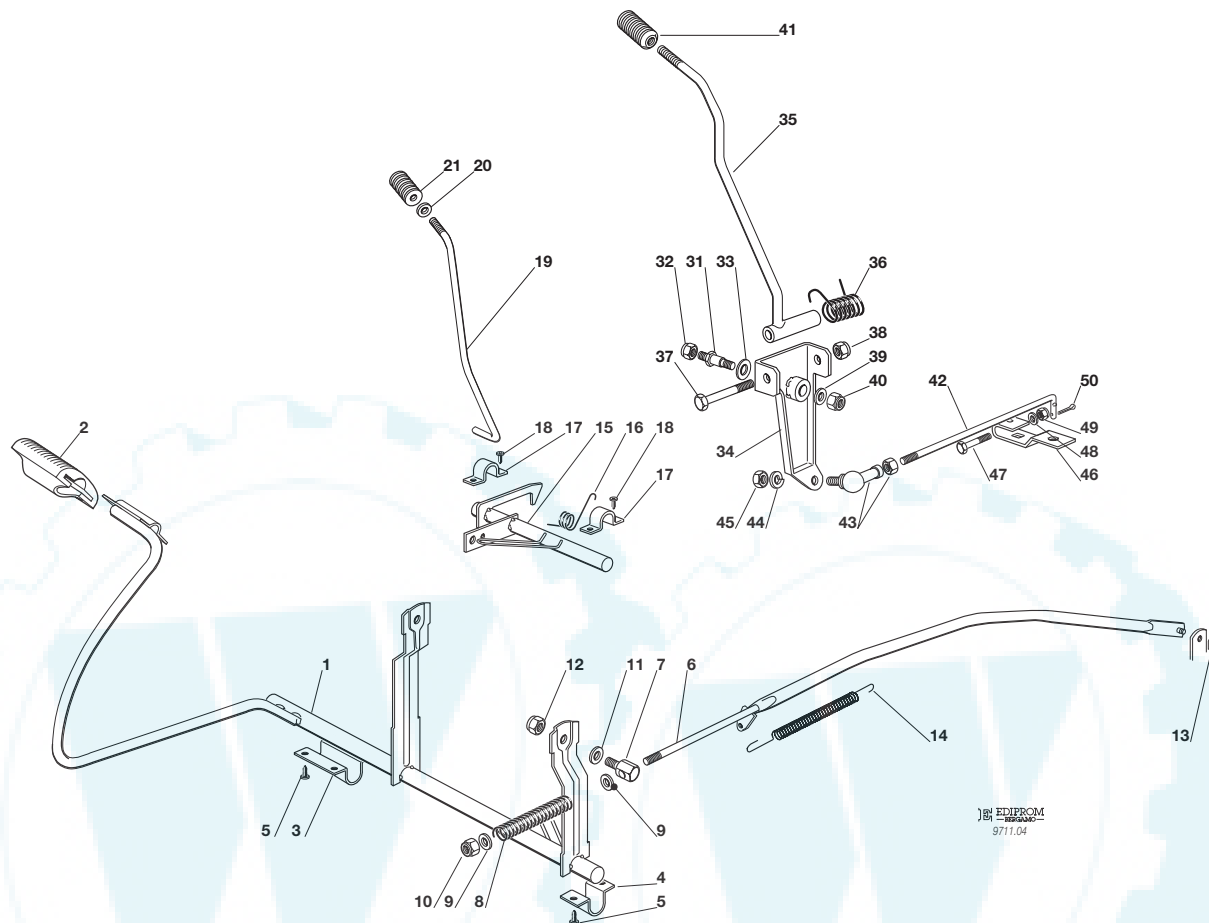


<b>J92</b>	<b>JP92</b>	<b>JT92</b>
<i>J92 hy.</i>	<i>JP92 hy.</i>	<i>JT92 hy.</i>



**COMANDO FRENO E COMANDO CAMBIO**  
**BRAKE AND GEARBOX CONTROLS**  
**COMMANDE FREIN ET BOITE DE VITESSE**  
**BREMSE UND WECHSEL ANTRIEB**

1999
<b>004M.0</b>
1 / 2



N.	CODE	Q.TY	DESCRIZIONE	DESCRIPTION	DESCRIPTION	BESCHREIBUNG
1	82500002/1	1	PEDALE	PEDAL	PEDAL	PEDAL
2	25110269/0	1	COPRISTAFFA	CLAMP COVER	COUVRE ETRIER	BRIDEDECKEL
3	25547039/0	1	PIASTRINA DESTRA	RIGHT PLATE	PLAQUE DROITE	RECHTE PLATTE
4	25547041/0	1	PIASTRINA SINISTRA	LEFT PLATE	PLAQUE GAUCHE	LINKE PLATTE
5	12731601/0	6	VITE	SCREW	VIS	SCHRAUBE
6	82000459/0	1	ASTA	ROD	BARRE	STANGE
7	25510033/0	1	PERNO	PIN	PIVOT	BOLZEN
8	25430212/1	1	MOLLA	SPRING	RESSORT	FEDER
9	12521330/0	2	ROSETTA	WASHER	RONDELLE	SCHEIBE
10	12154510/0	1	DADO	NUT	ECROU	MUTTER
11	25670011/0	2	RONDELLA	WASHER	RONDELLE	SCHEIBE
12	12155000/0	1	DADO	NUT	ECROU	MUTTER
13	12436050/0	1	PIASTRINA	PLATE	PLAQUE	PLATTE
14	22450500/0	1	MOLLA	SPRING	RESSORT	FEDER
15	82000361/0	1	ASSE AZIONAM. MICRO	AXLE	AXE	ACHSE
16	25430234/0	1	MOLLA	SPRING	RESSORT	FEDER
17	25547049/0	2	PIASTRINA	PLATE	PLAQUE	PLATTE
18	12731601/0	4	VITE	SCREW	VIS	SCHRAUBE
19	25033021/0	1	ASTA	ROD	BARRE	STANGE
20	12604898/0	1	ROSETTA	WASHER	RONDELLE	SCHEIBE
21	25394500/1	1	MANOPOLA	KNOB	POIGNEE	KNOFF
31	25510035/0	1	PERNO	PIN	PIVOT	BOLZEN
32	12293201/0	1	DADO	NUT	ECROU	MUTTER
33	22672151/0	1	RONDELLA	WASHER	RONDELLE	SCHEIBE
34	82774206/0	1	STAFFA	CLAMP	ETRIER	BRIDE
35	82318134/0	1	LEVA	GEARSHIFT	LEVIER	HEBEL
36	25430226/0	1	MOLLA	SPRING	RESSORT	FEDER
37	12692050/0	1	VITE	SCREW	VIS	SCHRAUBE
38	12155000/0	1	DADO	NUT	ECROU	MUTTER

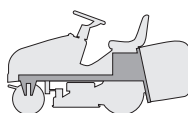


	<b>J92 • JP92 • JT92 • J92 hy. • JP92 hy. • JT92 hy.</b>	1999	<b>004M.0</b>	2 / 2
---	--	------	---------------	-------

N.	CODE	Q.TY	DESCRIZIONE	DESCRIPTION	DESCRIPTION	BESCHREIBUNG
39	12523060/0	1	RONDELLA	WASHER	RONDELLE	SCHEIBE
40	12155010/0	1	DADO	NUT	ECROU	MUTTER
41	25394503/1	1	MANOPOLA	KNOB	POIGNEE	WECHSEL
42	25033012/0	1	ASTA	ROD	BARRE	STANGE
43	22746601/0	1	SNODO	JOINT	JOINT	GELENK
44	12583500/0	1	GROWER	GROWER	GROWER	GROWER
45	12293200/0	1	DADO	NUT	ECROU	MUTTER
46	25318128/0	1	LEVA	GEARSHIFT	LEVIER	HEBEL
47	12689500/0	1	VITE	SCREW	VIS	SCHRAUBE
48	12521330/0	2	RONDELLA	WASHER	RONDELLE	SCHEIBE
49	12154510/0	1	DADO	NUT	ECROU	MUTTER
50	12141418/0	1	COPPIGLIA	COTTER PIN	GOUPILLE	SPLIT

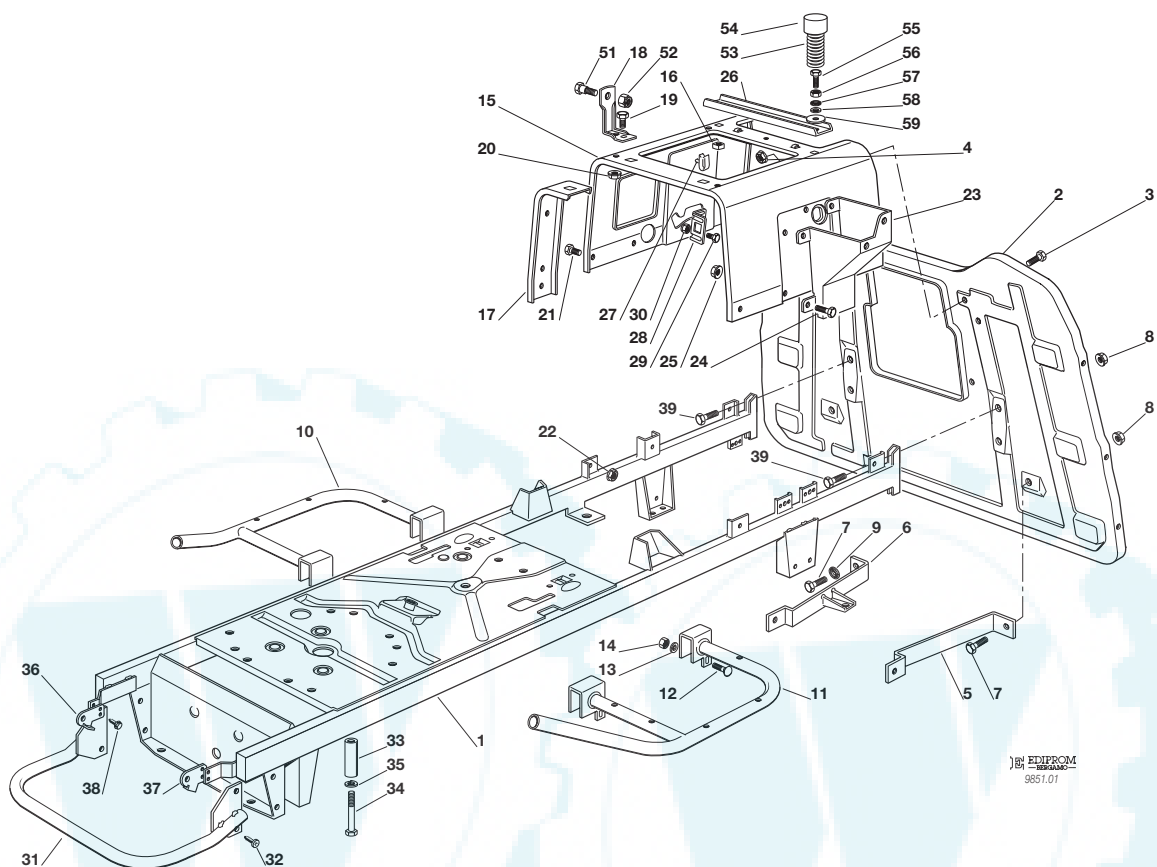


<b>J92</b>	<b>JP92</b>	<b>JT92</b>
<b>J92 hy.</b>	<b>JP92 hy.</b>	<b>JT92 hy.</b>



**TELAIO**  
**CHASSIS**  
**CHASSIS**  
**RAHMENSATZ**

1999
<b>001.0</b>
1 / 2



EDIPROM  
9851.01

N.	CODE	Q.TY	DESCRIZIONE	DESCRIPTION	DESCRIPTION	BESCHREIBUNG
1	82800034/1	1	TELAIO	CHASSIS	CHASSIS	RAHMENSATZ
2	82547009/1	1	PIASTRA	PLATE	PLAQUE	PLATTE
3	12790780/0	4	VITE	SCREW	VIS	SCHRAUBE
4	12292102/0	4	DADO	NUT	ECROU	MUTTER
5	25650046/0	1	RINFORZO	PLATE STIFFENING	RENFORCEMENT PLAQUE	PLATTEVERSTAERKUNG
6	82650201/0	1	RINFORZO DESTRO	PLATE STIFFENING, RIGHT	RENFORCEMENT PLAQUE, DROIT	RECHTE PLATTE-VERSTAERKUNG
7	12792610/0	4	VITE	SCREW	VIS	SCHRAUBE
8	12293201/0	6	DADO	NUT	ECROU	MUTTER
9	12540260/0	1	ROSETTA	WASHER	RONDELLE	SCHEIBE
10	82800019/0	1	SUPPORTO PEDANA DESTRA	RIGHT FOOTBOARD SUPPORT	MARCHEPIED DROITE SUPPORT	RECHTE FUSSBRETTHALTER
11	82800021/0	1	SUPPORTO PEDANA SINISTRA	LEFT FOOTBOARD SUPPORT	SUPPORT MARCHEPIED GAUCHE	LINKE FUSSBRETTHALTER
12	12815240/0	4	VITE	SCREW	VIS	SCHRAUBE
13	12523040/0	4	ROSETTA	WASHER	RONDELLE	SCHEIBE
14	12154510/0	4	DADO	NUT	ECROU	MUTTER
15	25785119/0	1	SUPPORTO SEDILE	SEAT SUPPORT	SUPPORT SIEGE	SITZHALTER
16	12360420/0	2	DADO	NUT	ECROU	MUTTER
17	25650055/0	2	RINFORZO	PLATE STIFFENING	RENFORCEMENT PLAQUE	PLATTEVERSTAERKUNG
18	25755008/0	2	SQUADRETTA	BRACKET	EQUERRE-SUPPORT	WINKEL
19	12792610/0	2	VITE	SCREW	VIS	SCHRAUBE
20	12293201/0	2	DADO	NUT	ECROU	MUTTER
21	12791011/0	4	VITE	SCREW	VIS	SCHRAUBE
22	12292102/0	4	DADO	NUT	ECROU	MUTTER
23	25785057/0	1	SUPPORTO	SUPPORT	SUPPORT	HALTER
24	12790780/0	4	VITE	SCREW	VIS	SCHRAUBE
25	12292102/0	4	DADO	NUT	ECROU	MUTTER
26	25650056/0	1	RINFORZO	PLATE STIFFENING	RENFORCEMENT PLAQUE	PLATTEVERSTAERKUNG
27	33320506/0	4	FERMACAVO	FAIR LED	FIXATION DE CABLE	KABELBEFESTIGUNG
28	25755016/0	1	SQUADRETTA	BRACKET	EQUERRE-SUPPORT	WINKEL

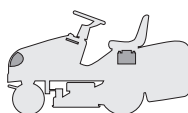


←	<b>J92 • JP92 • JT92 • J92 hy. • JP92 hy. • JT92 hy.</b>	1999	<b>001.0</b>	2 / 2
---	--	------	--------------	-------

N.	CODE	Q.TY	DESCRIZIONE	DESCRIPTION	DESCRIPTION	BESCHREIBUNG
29	12789000/0	2	VITE	SCREW	VIS	SCHRAUBE
30	12154330/0	2	DADO	NUT	ECROU	MUTTER
31	82869011/0	1	PROTEZIONE SILENZIATORE	MUFFLER PROTECTION	PROTECTION SILENCIEUX	AUSPUFFSCHUTZ
32	12734995/0	4	VITE	SCREW	VIS	SCHRAUBE
33	25580011/0	2	PIOLO GUIDACINGHIA	BELT GUIDE	GUIDE DE COURROIRE	RIEMENFÜHRUNG
34	12691700/0	2	VITE	SCREW	VIS	SCHRAUBE
35	12583500/0	2	GROWER	GROWER	GROWER	GROWER
36	25547061/0	1	PIASTRINA DESTRA	RIGHT PLATE	PLAQUE DROITE	RECHTE PLATTE
37	25547063/0	1	PIASTRINA SINISTRA	LEFT PLATE	PLAQUE GAUCHE	LINKE PLATTE
38	12731580/0	4	VITE	SCREW	VIS	SCHRAUBE
39	12792610/0	2	VITE	SCREW	VIS	SCHRAUBE
51	22524970/1	2	PERNO	PIN	PIVOT	BOLZEN
52	12155010/0	2	DADO	NUT	ECROU	MUTTER
53	25430205/0	2	MOLLA	SPRING	RESSORT	FEDER
54	25122000/0	2	CUFFIA	HOOD	PROTECTEUR	SCHUTZKASTEN
55	25943001/0	2	VITE	SCREW	VIS	SCHRAUBE
56	12293200/0	2	DADO	NUT	ECROU	MUTTER
57	12583500/0	2	GROWER	GROWER	GROWER	GROWER
58	12521350/0	2	RONDELLA	WASHER	RONDELLE	SCHEIBE
59	12523060/0	2	RONDELLA	WASHER	RONDELLE	SCHEIBE

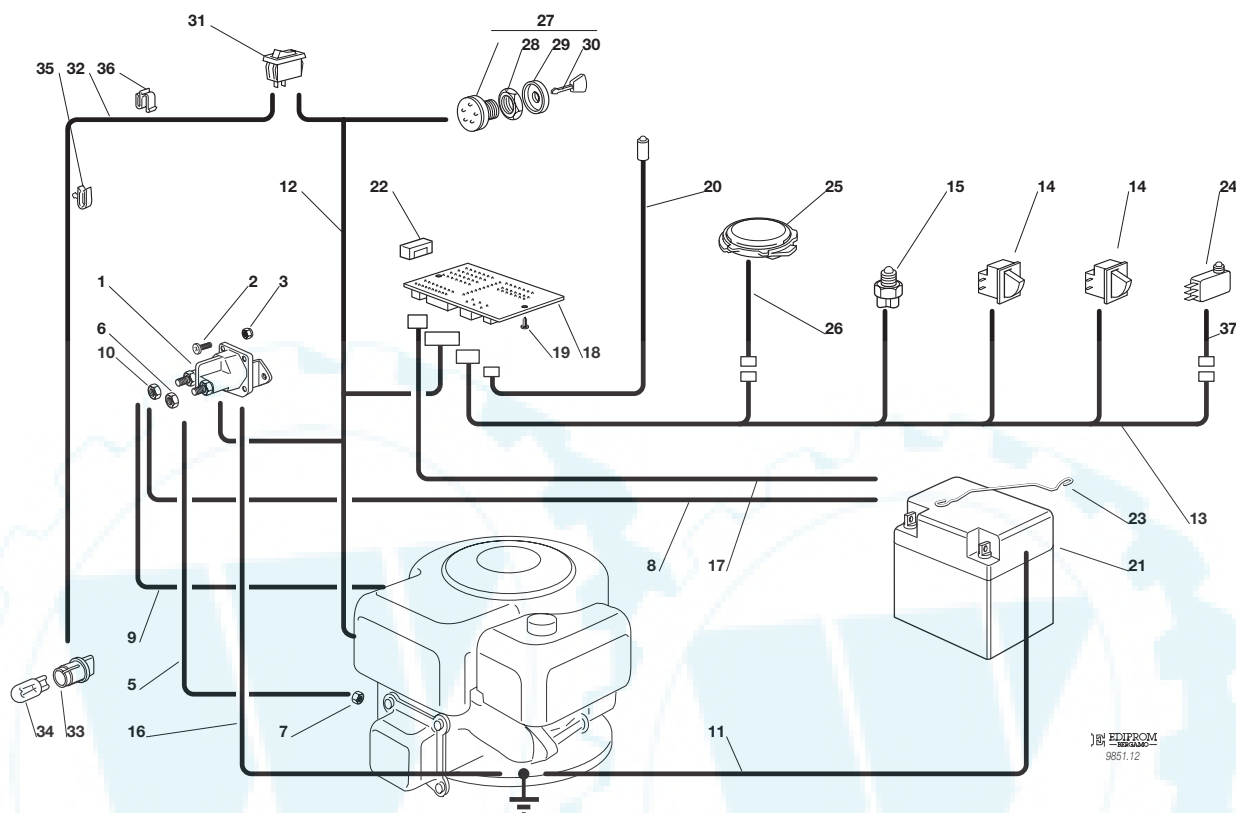


<b>J92</b>	<b>JP92</b>	<b>JT92</b>
<i>J92 hy.</i>	<i>JP92 hy.</i>	<i>JT92 hy.</i>



**PARTI ELETTRICHE**  
**ELECTRICAL PARTS**  
**PARTIES ELECTRIQUES**  
**ELETRISCHETEILE**

1999
<b>012M.0</b>
1 / 2



N.	CODE	Q.TY	DESCRIZIONE	DESCRIPTION	DESCRIPTION	BESCHREIBUNG
1	18736111/0	1	SOLENOIDE	SOLENOID	SOLENOIDE	SOLENOID
2	12791213/0	2	VITE	SCREW	VIS	SCHRAUBE
3	12292102/0	2	DADO	NUT	ECROU	MUTTER
5	25065017/0	1	CABLAGGIO SOLEN. AV.	CABLES ASS.Y	ENS. CABLAGES	KABELSATZ
6	12360352/0	1	DADO	NUT	ECROU	MUTTER
7	12361005/0	1	DADO	NUT	ECROU	MUTTER
8	25065001/0	1	CAVO BATT. SOLENOIDE	CABLE	CABLES	KABEL
9	25065012/0	1	CAVO RICARICA	CABLE	CABLES	KABEL
10	12360352/0	1	DADO	NUT	ECROU	MUTTER
11	25065004/0	1	CAVO MASSA BATTERIA	CABLE	CABLES	KABEL
12	←	1	CABLAGGIO AVVIAMENTO	CABLES ASS.Y	ENS. CABLAGES	KABELSATZ
	82040037/1		10,5 - 12,5 - 13 HP B&S	110,5 - 12,5 - 13 HP B&S	10,5 - 12,5 - 13 HP B&S	10,5 - 12,5 - 13 HP B&S
	82040038/1		15,5 HP B&S	15,5 HP B&S	15,5 HP B&S	15,5 HP B&S
	82040037/1		13 HP TECUMSEH	13 HP TECUMSEH	13 HP TECUMSEH	13 HP TECUMSEH
13	82040041/0	1	CABLAGGIO MICRO	CABLES ASS.Y	ENS. CABLAGES	KABELSATZ
14	19410606/0	2	MICRO INTERRUPTORE	MICRO	MICRO	MIKRO
15	19410608/0	1	INTERRUPTORE CAMBIO	GEARBOX SWITCH	INT. BOÎTE DE VITESSE	ANTRIEB SCHALTER
16	25065018/0	1	CAVO MASSA SOLENOIDE	CABLE	CABLES	KABEL
17	25065016/0	1	CAVO ALIM. SCHEDA	CABLE	CABLES	KABEL
18	25722410/0	1	SCHEDA ELETTRONICA	ELECTRONIC CARD	CARTE ELECTRONIQUE	ELEKTRONISCHE KARTE
19	12727810/0	2	VITE	SCREW	VIS	SCHRAUBE
20	25065014/1	1	CAVO LED SEGNALEZIONE	CABLE	CABLES	KABEL
21	18120002/0	1	BATTERIA	BATTERY	BATTERIE	BATTERIE
22	33340033/0	1	FUSIBILE	FUSE	FUSIBLE	SICHERUNG
23	25430230/0	1	MOLLA	SPRING	RESSORT	FEDER
24	19410605/1	1	MICRO SACCO PIENO	FULL GRASSCATCHER MICROSWITCH	MICRO BAC PLEIN	VOLLKORB VORRICHTUNG
25	19410607/0	1	MICRO SEDILE	MICRO	MICRO	MIKRO
26	25065020/0	1	CAVO MICRO SEDILE	CABLE	CABLES	KABEL
27	18450065/1	1	INTERRUPTORE AVVIAM.	STARTING SWITCH	INTERRUPTEUR DEMARR.	SCHALTER
28	18400861/0	1	GHIERA	RINGNUT	EMBOUT	NUTMUTTER

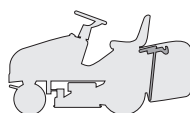


←	<b>J92 • JP92 • JT92 • J92 hy. • JP92 hy. • JT92 hy.</b>	1999	<b>012M.0</b>	2 / 2
---	--	------	---------------	-------

N.	CODE	Q.TY	DESCRIZIONE	DESCRIPTION	DESCRIPTION	BESCHREIBUNG
29	18565351/0	1	PROTEZIONE GHIERA	RINGNUT PROTECTION	PROTECTION EMBOUT	NUTMUTTER SCHUTZ
30	18210016/0	1	CHIAVE AVVIAMENTO	STARTING KEY	CLEF A DEMARRAGE	SCHLÜSSEL FÜR START
31	18450060/0	1	INTERRUPTORE	FARILAMP SWITCH	INTERRUPTEUR PHARES	LICHTEN SCHALTER
32	82040036/0	1	CAVO	CABLE	CABLES	KABEL
33	33500030/0	2	PORTALAMPADE	LAMP HOLDER	DOUILLE DE LAMPE	SCHWEINWERFERLAMPE
34	18459100/0	2	LAMPADA	FARILAMP FOR LIGHTS	LAMPE POUR PHARES	LAMPENFASSUN
35	33320506/0	1	FERMACAVO	FAIRLED	FIXATION CABLE	KABELBEFESTIGUNG
36	33320504/0	1	FERMACAVO	FAIRLED	FIXATION CABLE	KABELBEFESTIGUNG
37	25065023/0	1	CAVO	CABLE	CABLES	KABEL

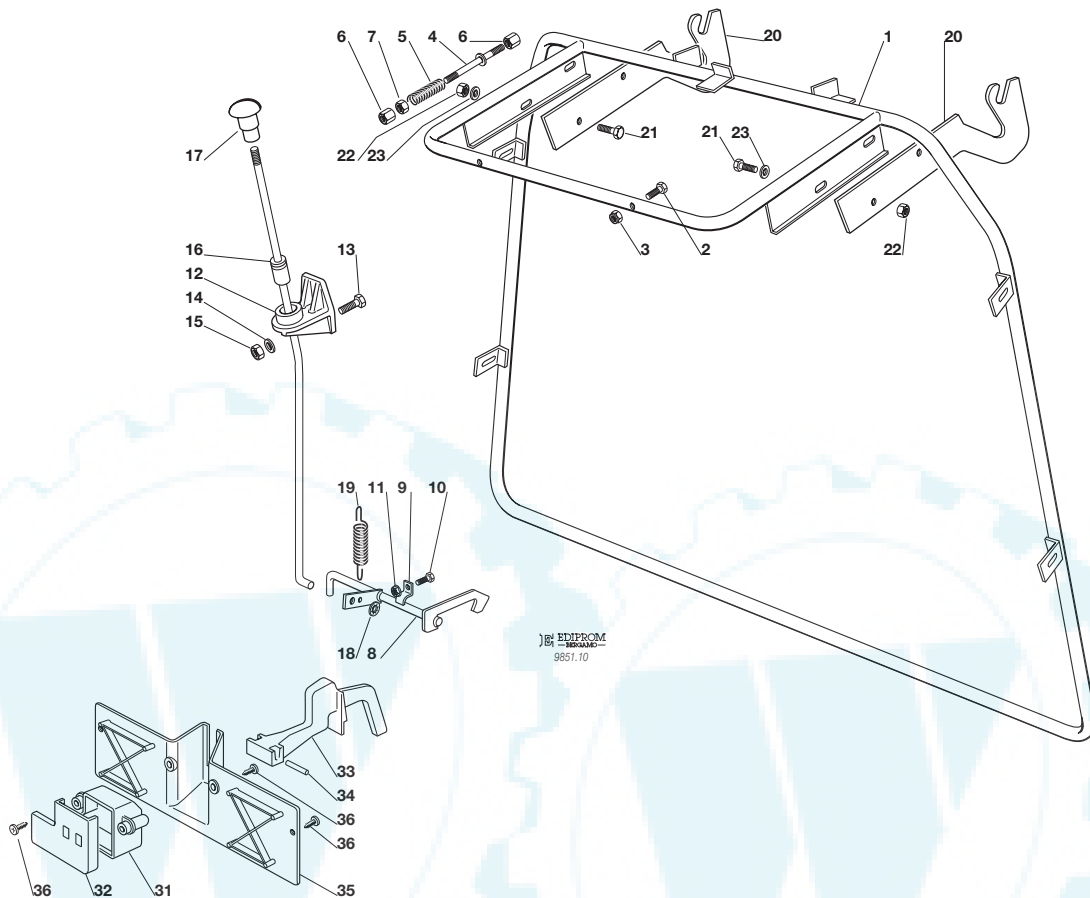


<b>J92</b>	<b>JP92</b>	<b>JT92</b>
<b>J92 hy.</b>	<b>JP92 hy.</b>	<b>JT92 hy.</b>

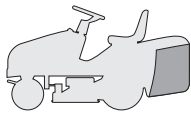


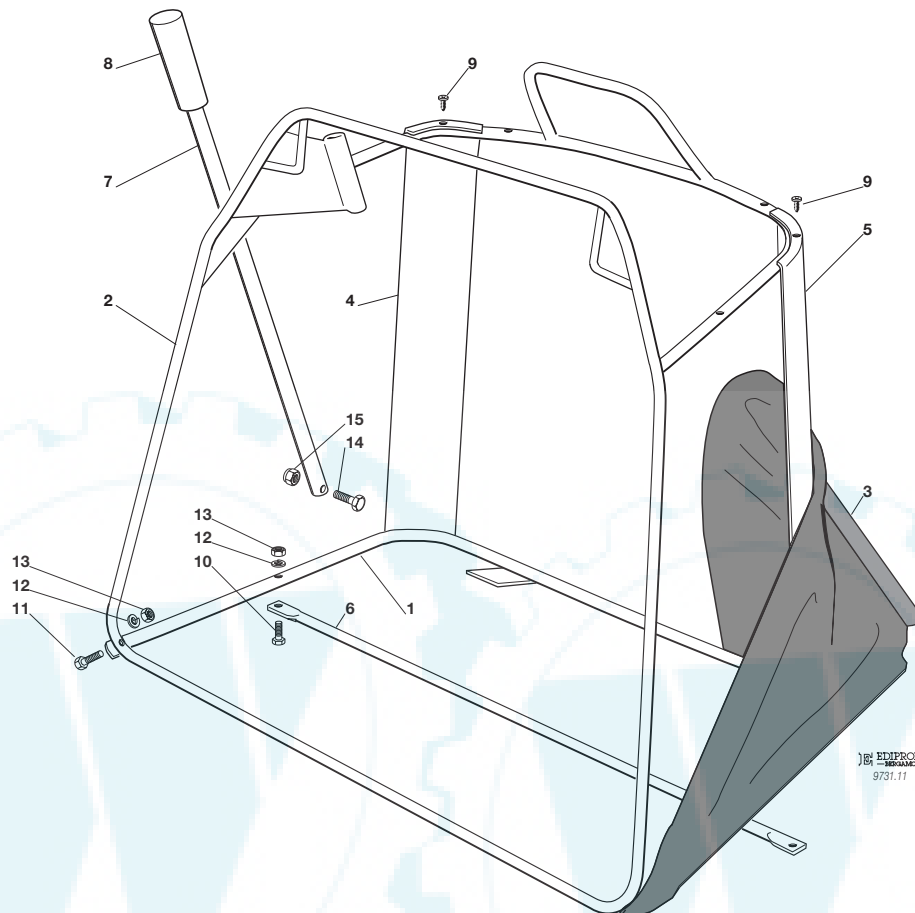
**SACCO (1. - PARTE FISSA)**  
**GRASSCATCHER (1. - FIXED PART)**  
**BAC (1. - PARTIE FIXE)**  
**AUFFANGSACK (1. - FESTER TEIL)**

1999
<b>010.0</b>
1 / 1



N.	CODE	Q.TY	DESCRIZIONE	DESCRIPTION	DESCRIPTION	BESCHREIBUNG
1	82800017/1	1	TELAIO	FRAME	CHASSIS	RAHMEN
2	12791500/0	5	VITE	SCREW	VIS	SCHRAUBE
3	12154510/0	5	DADO	NUT	ECROU	MUTTER
4	82000465/0	1	ASTA	ROD	TIGE	STANGE
5	25430232/0	1	MOLLA	SPRING	RESSORT	FEDER
6	25510042/0	2	PERNO	PIN	PIVOT	BOLZEN
7	12292100/0	1	DADO	NUT	ECROU	MUTTER
8	82000363/0	1	ASTA AGGANCIAMENTO SACCO	COUPLING ROD	TIGE D'ACCROCHAGE	KUPPLUNGSTANGE
9	25774220/0	2	STAFFA ANCORAGGIO	ANCHOR BRACKET	ETRIER	BRIDE
10	12790781/0	2	VITE	SCREW	VIS	SCHRAUBE
11	12292102/0	2	DADO	NUT	ECROU	MUTTER
12	25785055/0	1	SUPPORTO	SUPPORT	SUPPORT	HALTER
13	12791200/0	1	VITE	SCREW	VIS	SCHRAUBE
14	12521330/0	1	ROSETTA	WASHER	RONDELLE	SCHEIBE
15	12154510/0	1	DADO	NUT	ECROU	MUTTER
16	82000467/0	1	ASTA SGANCIO	RELEASE ROD	TIGE DE DECCROCHAGE	ENTKUPPLUNGSTANGE
17	82394507/0	1	MANOPOLA	HANDLE	POIGNEE	GRIF
18	12604898/0	1	RONDELLA	WASHER	RONDELLE	SCHEIBE
19	25430220/0	1	MOLLA	SPRING	RESSORT	FEDER
20	25785077/0	2	SUPPORTO	SUPPORT	SUPPORT	HALTER
21	12793102/0	4	VITE	SCREW	VIS	SCHRAUBE
22	12155000/0	4	DADO	NUT	ECROU	MUTTER
23	12521350/0	4	RONDELLA	WASHER	RONDELLE	SCHEIBE
31	25600041/0	1	PROTEZIONE MICRO	MICRO PROTECTION	PROTECTION MICRO	SCHUTZ
32	25600042/0	1	COPERCHIO PROTEZIONE	PROTECTION COVER	COUVERCLE PROTECTION	SCHUTZDEKEL
33	25318124/0	1	LEVA	LEVER	LEVIER	HEBEL
34	12400030/0	1	PERNO	PIN	PIVOT	BOLZEN
35	25774251/0	1	STAFFA	BRACKET	SUPPORT	SCHELLE
36	12728510/0	3	VITE	SCREW	VIS	SCHRAUBE

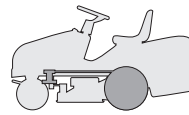
<b>J92</b>	<b>JP92</b>	<b>JT92</b>		<b>SACCO (2. - PARTE MOBILE)</b>	1999
<b>J92 hy.</b>	<b>JP92 hy.</b>	<b>JT92 hy.</b>		<b>GRASSCATCHER (2. - MOBILE PART)</b>	<b>011.0</b>
				<b>BAC (2. - PARTIE MOBILE)</b> <b>AUFFANGSACK (2. - BEWEGLICHER TEIL)</b>	1 / 1



N.	CODE	Q.TY	DESCRIZIONE	DESCRIPTION	DESCRIPTION	BESCHREIBUNG
1	82800015/0	1	TELAIO INFERIORE	LOWER FRAME	CHASSIS INFERIEUR	UNTERERRAHMEN
2	82800014/1	1	TELAIO SUPERIORE	UPPER FRAME	CHASSIS SUPERIEUR	OBERERRAHMEN
3	82105998/0	1	CONFEZIONE SACCO	GRASSCATCHER	BAC	SACK
4	25032005/0	1	ANGOLARE DESTRO	RIGHT ANGULAR SUPPORT DROITE	SUPPORT ANGULAIRE	RECHTER HALTER
5	25032004/0	1	ANGOLARE SINISTRO	LEFT ANGULAR SUPPORT GAUCHE	SUPPORT ANGULAIRE	LINKER HALTER
6	82650039/0	1	RINFORZO	STIFFENING	RENFORCEMENT	VERSTAERKUNG
7	25869029/0	1	TUBO	ROD	TIGE	STANGE
8	25394508/0	1	MANOPOLA	HANDLE	POINGEE	GRIFF
9	12729601/0	4	VITE	SCREW	VIS	SCHRAUBE
10	12792099/0	2	VITE	SCREW	VIS	SCHRAUBE
11	12792099/0	2	VITE	SCREW	VIS	SCHRAUBE
12	12582101/0	4	GROWER	GROWER	GROWER	GROWER
13	12292100/0	4	DADO	NUT	ECROU	MUTTER
14	12792099/0	1	VITE	SCREW	VIS	SCHRAUBE
15	12154510/0	1	DADO	NUT	ECROU	MUTTER

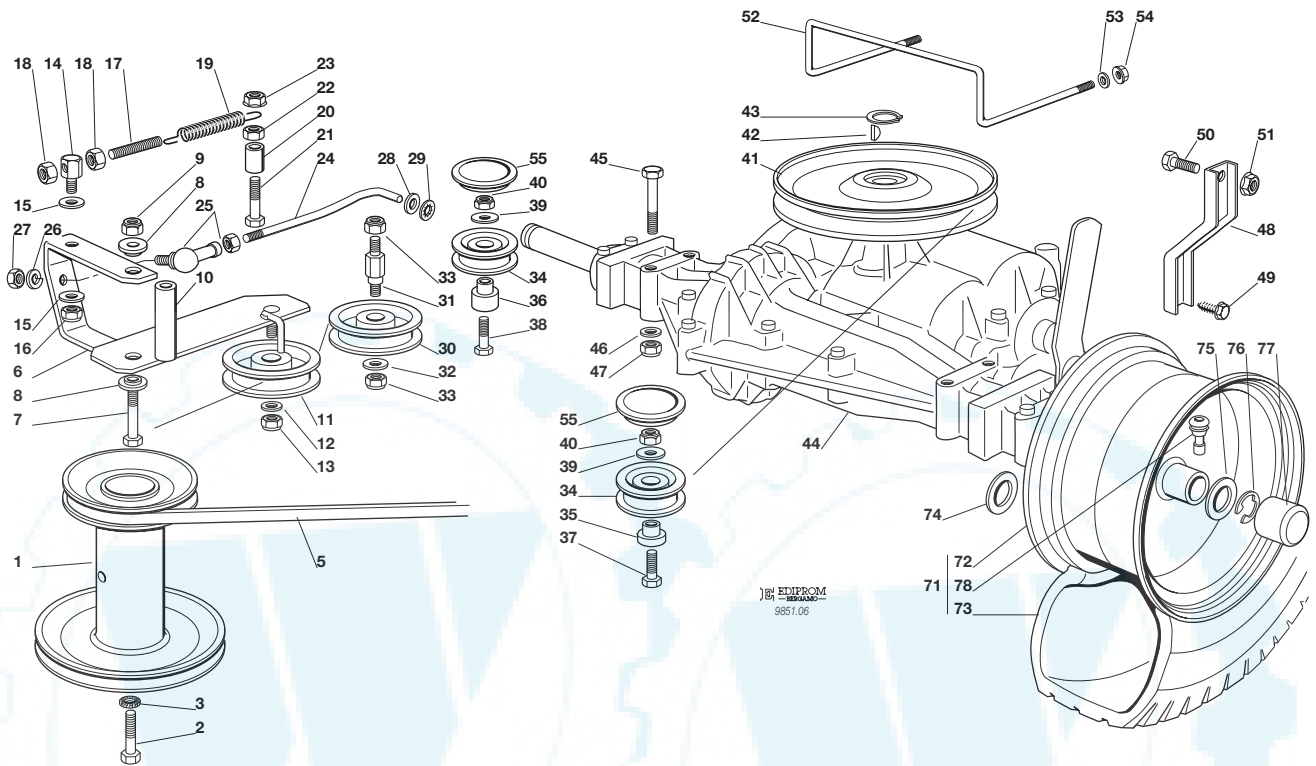


<b>J92</b>	<b>JP92</b>	<b>JT92</b>
<i>J92 hy.</i>	<i>JP92 hy.</i>	<i>JT92 hy.</i>



**TRASMISSIONE  
TRANSMISSION  
TRANSMISSION  
GETRIEBE**

1999
<b>006M.0</b>
1 / 2



N.	CODE	Q.TY	DESCRIZIONE	DESCRIPTION	DESCRIPTION	BESCHREIBUNG
1	25601547/1	1	PULEGGIA	PULLEY	POULIE	RIEMENSCHIBE
2	12737310/0	1	VITE	SCREW	VIS	SCHRAUBE
3	12543000/0	1	ROSETTA	WASHER	RONDELLE	SCHIBE
5	35062000/1	1	CINGHIA	BELT	COURROIE	RIEMEN
6	82318133/0	1	LEVA	LEVER	LEVIER	HEBEL
7	12692080/0	1	VITE	SCREW	VIS	SCHRAUBE
8	25038002/0	2	BOCCOLA	BUSH	DOUILLE	BÜCHSE
9	12155000/0	1	DADO	NUT	ECROU	MUTTER
10	25160017/0	1	DISTANZIALE	SPACER	ENTRETOISE	ENTFERNUNGSSTÜCK
11	25601554/0	1	PULEGGIA	PULLEY	POULIE	RIEMENSCHIBE
12	12523060/0	1	RONDELLA	WASHER	RONDELLE	SCHIBE
13	12155000/0	1	DADO	NUT	ECROU	MUTTER
14	25510040/1	1	PERNO	PIN	PIVOT	BOLZEN
15	25670011/0	2	RONDELLA	WASHER	RONDELLE	SCHIBE
16	12155000/0	1	DADO	NUT	ECROU	MUTTER
17	25840005/0	1	TIRANTE	TIE ROD	TIRANT	SPANNSTANGE
18	12293200/0	2	DADO	NUT	ECROU	MUTTER
19	25430219/0	1	MOLLA	SPRING	RESSORT	FEDER
20	25160017/0	1	DISTANZIALE	SPACER	ENTRETOISE	ENTFERNUNGSSTÜCK
21	25943001/0	1	VITE	SCREW	VIS	SCHRAUBE
22	12293201/0	1	DADO	NUT	ECROU	MUTTER
23	12155000/0	1	DADO	NUT	ECROU	MUTTER
24	25840002/0	1	TIRANTE	TIE ROD	TIRANT	SPANNSTANGE
25	22746601/0	1	SNODO	JOINT	JOINT	GELENK
26	12583500/0	1	GROWER	GROWER	GROWER	GROWER
27	12293200/0	1	DADO	NUT	ECROU	MUTTER
28	12521350/0	1	RONDELLA	WASHER	RONDELLE	SCHIBE
29	12604899/0	1	ANELLO ELASTICO	SNAP RING	ANNEAU RESSORT	SPRENGRING
30	25601555/0	1	PULEGGIA	PULLEY	POULIE	RIEMENSCHIBE
31	25510036/0	1	PERNO	PIN	PIVOT	BOLZEN
32	12523060/0	1	RONDELLA	WASHER	RONDELLE	SCHIBE



**J92 • JP92 • JT92 • J92 hy. • JP92 hy. • JT92 hy.**

1999

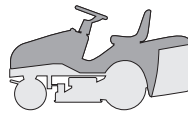
**006M.0**

2 / 2

N.	CODE	Q.TY	DESCRIZIONE	DESCRIPTION	DESCRIPTION	BESCHREIBUNG
33	12155000/0	2	DADO	NUT	ECROU	MUTTER
34	25601558/1	2	PULEGGIA	PULLEY	POULIE	RIEMENSCHLEIBE
35	25160018/0	1	DISTANZIALE SINISTRO	LEFT SPACER	ENTRETOISE GAUCHE	LINKER ENTFERNUNGSSTÜCK
36	25160014/0	1	DISTANZIALE DESTRO	RIGHT SPACER	ENTRETOISE DROITE	RECHTER ENTFERNUNGSSTÜCK
37	12691100/0	1	VITE SINISTRA	LEFT SCREW	VIS GAUCHE	LINKE SCHRAUBE
38	12691200/0	1	VITE DESTRA	RIGHT SCREW	VIS DROITE	RECHTE SCHRAUBE
39	12523060/0	2	RONDELLA	WASHER	RONDELLE	SCHLEIBE
40	12155000/0	2	DADO	NUT	ECROU	MUTTER
41	82601503/0	1	PULEGGIA	PULLEY	POULIE	RIEMENSCHLEIBE
42	12139430/0	1	LINGUETTA	KEY	CLAVETTE	KEIL
43	12608950/0	1	ANELLO ELASTICO	SNAP RING	ANNEAU RESSORT	SPRENGRING
44*	18400910/0	1	ASSE POSTERIORE	REAR AXLE	AXE ARRIERE	HINTERACHSE
45	12691800/0	4	VITE	SCREW	VIS	SCHRAUBE
46	12521350/0	4	RONDELLA	WASHER	RONDELLE	SCHLEIBE
47	12155000/0	4	DADO	NUT	ECROU	MUTTER
48	25774247/0	2	STAFFA	CLAMP	ETRIER	BRIDE
49	12735150/0	2	VITE	SCREW	VIS	SCHRAUBE
50	12792610/0	2	VITE	SCREW	VIS	SCHRAUBE
51	12293201/0	2	DADO	NUT	ECROU	MUTTER
52	25270303/0	1	GUIDACINGHIA	BELT GUIDE	GUIDE DE COURROIRE	RIEMENFÜHRUNG
53	12521330/0	2	RONDELLA	WASHER	RONDELLE	SCHLEIBE
54	12292102/0	2	DADO	NUT	ECROU	MUTTER
55	25109521/0	2	COPERCHIO	COVER	COUVERCLE	DECKEL
71	82680003/0	2	RUOTA POSTERIORE	REAR WHEEL	ROUE ARRIERE	HINTERRAD
72	82000592/0	2	CERCHIO RUOTA	RIMM	BANDAGE ROUE	HINTERRAD FELGER
73	25590001/0	2	PNEUMATICO	SHOE	PNEU	REIFEN
74	12521410/0	4	RONDELLA	WASHER	RONDELLE	SCHLEIBE
75	25670005/1	2	RONDELLA	WASHER	RONDELLE	SCHLEIBE
76	12001010/0	2	ANELLO ELASTICO	SNAP RING	ANNEAU RESSORT	SPRENGRING
77	22110230/0	2	COPRIMOZZO	HUB COVER	COUVRE MOYEU	NABEDECKEL
78	25950000/0	2	VALVOLA	VALVE	SOUPAPE	VENTIL

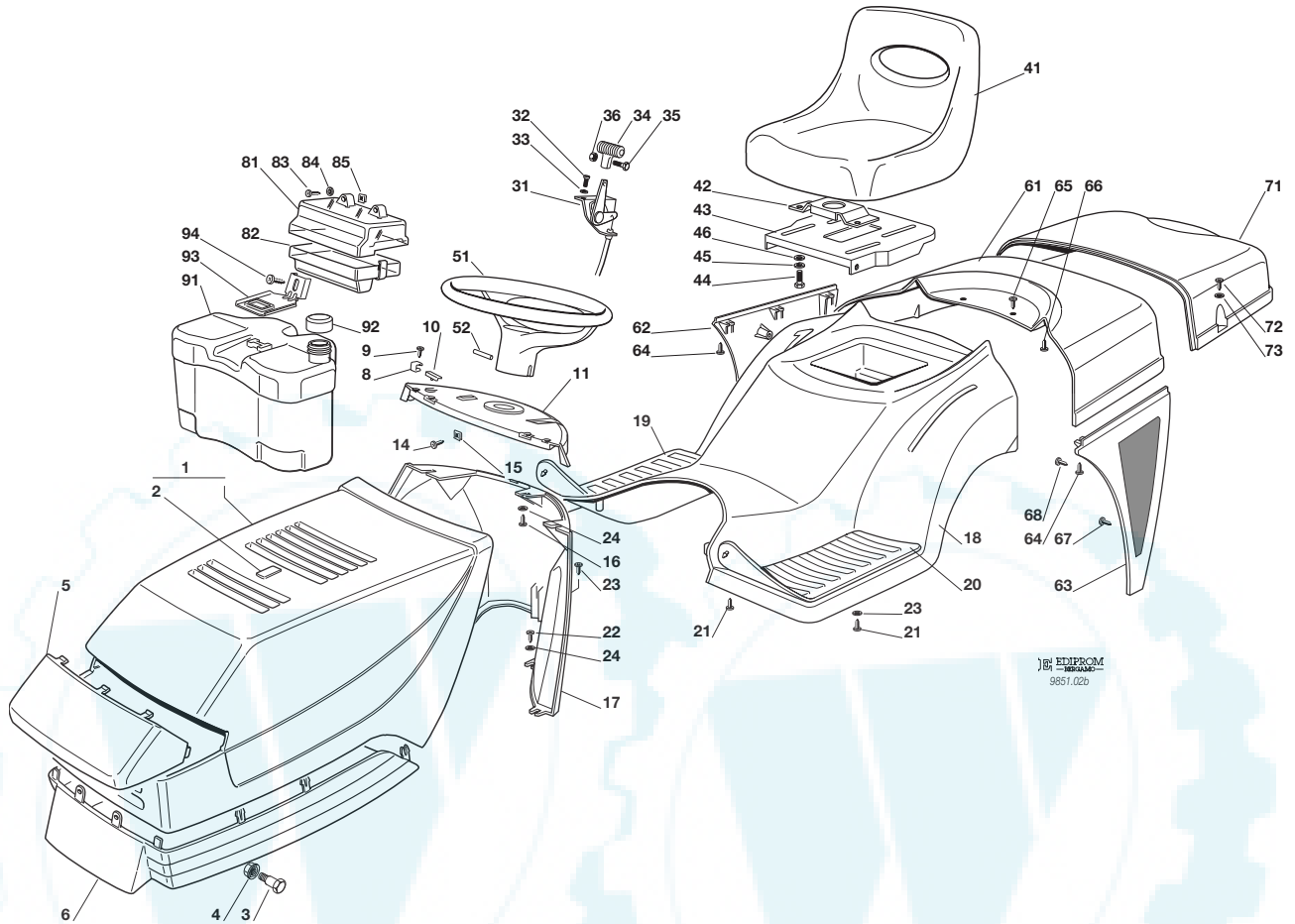
PER LA SOSTITUZIONE DELLE PARTI CONTRASSEGNALE CON «\*» RIVOLGERSI AL SERVIZIO ASSISTENZA DEL COSTRUTTORE (TECUMSEH).  
 TO REPLACE THE PARTS MARKED «\*» SEEK ASSISTANCE FROM MANUFACTURER'S AFTER SALES SERVICE (TECUMSEH).  
 POUR LE REMPLACEMENT DES PIÈCES MARQUÉES AVEC «\*» S'ADRESSER AU SERVICE APRÈS VENTES DU CONSTRUCTEUR (TECUMSEH).  
 ZUM AUSTAUSCH DER MIT «\*» GEKENNZEICHNETEN TEILE, WENDEN SIE SICH AN DEN KUNDENDIENST DES HERSTELLERS (TECUMSEH).

J92	JP92	<b>JT92</b>
J92 hy.	JP92 hy.	<b>JT92 hy.</b>



**CORROZZERIA  
BODY  
CARROSSERIE  
KARROSSERIE**

1999
<b>002b.0</b>
1 / 2



N.	CODE	Q.TY	DESCRIZIONE	DESCRIPTION	DESCRIPTION	BESCHREIBUNG
1	82076801/1 82076805/0	1	COFANO SUPERIORE ROSSO GIALLO	UPPER ENGINE HOOD RED YELLOW	CAPOT SUPERIEURE ROUGE JAUNE	OBERHAUBESATZ ROT GELB
2	25547016/1 25547014/0	1	PIASTRINA ROSSA GIALLA	PLATE RED YELLOW	PLAQUE ROUGE JAUNE	PLATTE ROT GELB
3	25510015/0	2	PERNO	PIN	PIVOT	BOLZEN
4	12293201/0	2	DADO	NUT	ECROU	MUTTER
5	25410858/0	1	MASCHERINA	GRILL	PANNEAU	SCHUTZ
6	25076802/0	1	COFANO INFERIORE	LOWER ENGINE HOOD	CAPOT INFERIEURE	UNTERHAUBESATZ
8	25430215/0	2	MOLLA AGGANCI	COUPLING SPRING	RESSORT ACCROCHAGE	KUPPLUNGSFEDER
9	12728450/0	2	VITE	SCREW	VIS	SCHRAUBE
10	25260000/0	2	GOMMINO	GROMMET	PROTECTION	SCHUTZ
11	25120165/0 25120166/0	1	CRUSCOTTO ROSSO GIALLO	DASHBOARD RED YELLOW	TABEAU COMMANDES ROUGE JAUNE	KONSOLE ROT GELB
14	12735110/0	2	VITE	SCREW	VIS	SCHRAUBE
15	12437502/0	2	PIASTRINA	PLATE	PLAQUE	PLATTE
16	12735402/0	3	VITE	SCREW	VIS	SCHRAUBE
17	25785036/0 25785037/0	1	SUPPORTO CRUSCOTTO ROSSO GIALLO	DASHBOARD SUPPORT RED YELLOW	SUPPORT TABEAU COMM. ROUGE JAUNE	KONSOLEHALTER ROT GELB
18	25110177/1 25110194/1	1	COPERTURA RUOTE ROSSO GIALLO	WHEELS COVER RED YELLOW	COUVRE-ROUES ROUGE JAUNE	RADENKAPPE ROT GELB
18	25110184/0 25110205/0	1	COPERTURA RUOTE (hydro) ROSSO GIALLO	WHEELS COVER (hydro) RED YELLOW	COUVRE-ROUES (hydro) ROUGE JAUNE	RADENKAPPE (hydro) ROT GELB
19	25110264/1	1	COPRIPEDANA DESTRA	RIGHT FOOTBOARD COVER	COUVRE MARCHEPIED DRO.	RECHTE FUSSBRETTDECKEL
20	25110263/1	1	COPRIPEDANA SINISTRA	LEFT FOOTBOARD COVER	COUVRE MARCHEPIED GAU.	LINKE FUSSBRETTDECKEL
21	12735410/0	6	VITE	SCREW	VIS	SCHRAUBE





J92 • JP92 • JT92 • J92 hy. • JP92 hy. • JT92 hy.

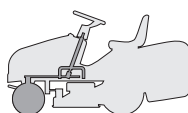
1999

002b.0

2 / 2

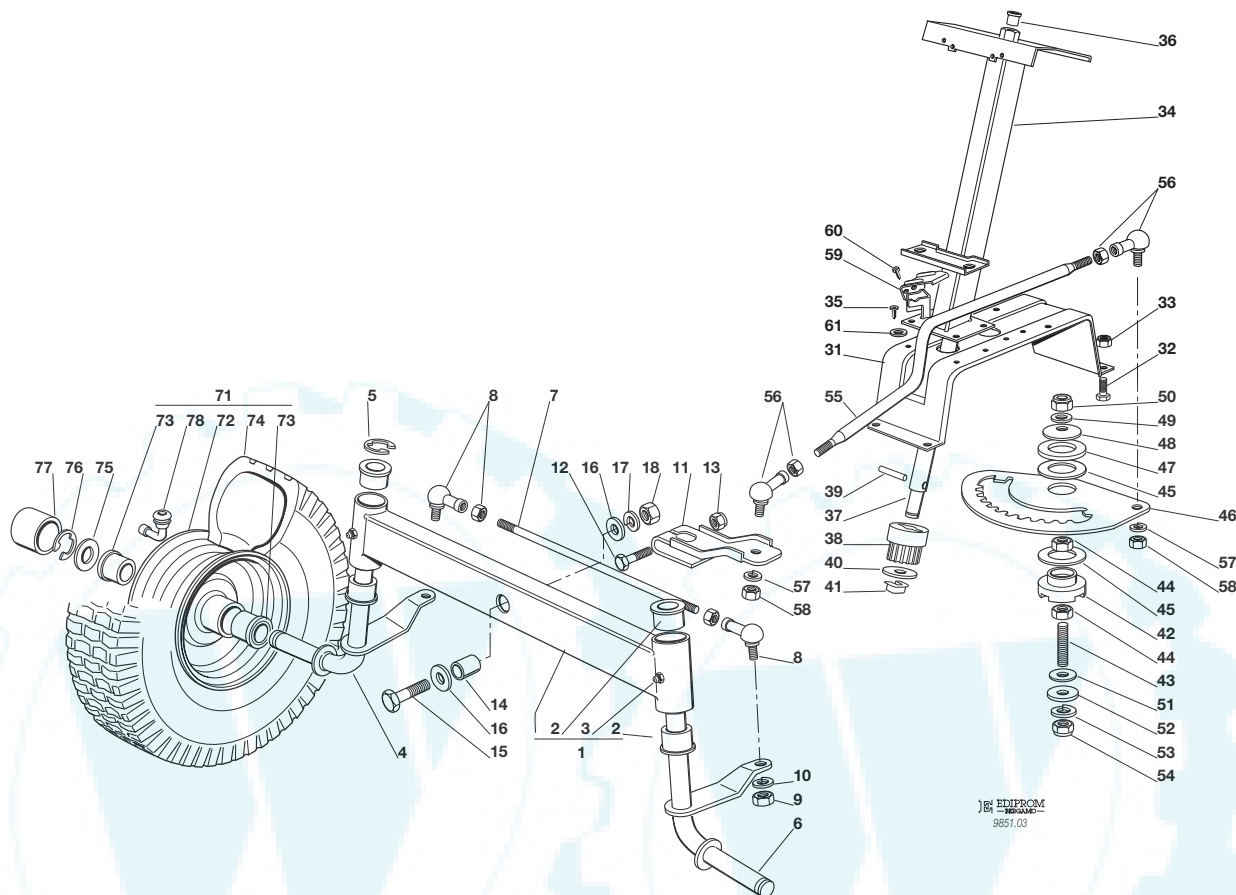
N.	CODE	Q.TY	DESCRIZIONE	DESCRIPTION	DESCRIPTION	BESCHREIBUNG
22	12735402/0	4	VITE	SCREW	VIS	SCHRAUBE
23	12728680/0	1	VITE	SCREW	VIS	SCHRAUBE
24	12523040/0	9	ROSETTA	WASHER	RONDELLE	SCHEIBE
31	82000207/0	1	ACCELERATORE	ACCELERATOR	ACCELERATEUR	GAS ZUG
32	12788512/0	2	VITE	SCREW	VIS	SCHRAUBE
33	12581200/0	2	GROWER	GROWER	GROWER	GROWER
34	25394501/0	1	MANOPOLINA	HANDLE	POIGNE	GRIFF
35	12726388/0	1	VITE	SCREW	VIS	SCHRAUBE
36	12290800/0	1	DADO	NUT	ECROU	MUTTER
41	25722453/1	1	SEDILE	SEAT	SIEGE	SITZ
42	25785114/0	1	SUPPORTO	SUPPORT	SUPPORT	HALTER
43	25547033/0	1	PIASTRA	PLATE	PLAQUE	PLATTE
44	12793101/0	4	VITE	SCREW	VIS	SCHRAUBE
45	12583500/0	4	GROWER	GROWER	GROWER	GROWER
46	12523060/0	4	RONDELLA	WASHER	RONDELLE	SCHEIBE
51	25961201/0	1	VOLANTE	STEERING WHEEL	VOLANT	LENKRAD
52	12620299/0	1	SPINA	PIN	GOUILLE	STIFT
61	☛ 25110179/0 25110200/0	1	COPERTURA ROSSO GIALLO	COVER RED YELLOW	COUVRE ROUGE JAUNE	KAPPE ROT GELB
62	☛ 25600015/0 25600026/0	1	PROTEZIONE DESTRA ROSSO GIALLO	RIGHT GUARD RED YELLOW	PROTECTION DROITE ROUGE JAUNE	RECHTE SCHUTZE ROT GELB
63	☛ 25600016/0 25600027/0	1	PROTEZIONE SINISTRA ROSSO GIALLO	LEFT GUARD RED YELLOW	PROTECTION GAUCHE ROUGE JAUNE	LINKE SCHUTZE ROT GELB
64	12735402/0	6	VITE	SCREW	VIS	SCHRAUBE
65	12734995/0	2	VITE	SCREW	VIS	SCHRAUBE
66	12735402/0	2	VITE	SCREW	VIS	SCHRAUBE
67	12735402/0	3	VITE	SCREW	VIS	SCHRAUBE
68	12735402/0	4	VITE	SCREW	VIS	SCHRAUBE
71	☛ 25110178/1 25110197/1	1	COPERTURA SACCO ROSSO GIALLO	GRASS-CATCHER COVER RED YELLOW	COUVRE-BAC ROUGE JAUNE	SACKKAPPE ROT GELB
72	12729601/0	4	VITE	SCREW	VIS	SCHRAUBE
73	12521331/0	4	RONDELLA	WASHER	RONDELLE	SCHEIBE
81	25600020/0	1	PROTEZIONE SUPERIORE	UPPER GUARD	PROTECTION SUPERIEUR	OBERSCHUTZ
82	25600021/1	1	PROTEZIONE INFERIORE	LOWER GUARD	PROTECTION INFERIEUR	UNTERSCHUTZ
83	12728460/0	2	VITE	SCREW	VIS	SCHRAUBE
84	12521320/0	2	ROSETTA	WASHER	RONDELLE	SCHEIBE
85	12437502/0	2	PIASTRINA	PLATE	PLAQUE	PLÄTTE
91	25735116/1	1	SERBATOIO	TANK	RESERVOIR	TANK
92	25795000/0	1	TAPPO	CAP	BOUCHON	TANKVERSCHLUSS
93	25774258/0	1	SUPPORTO	SUPPORT	SUPPORT	HALTER
94	12735110/0	1	VITE	SCREW	VIS	SCHRAUBE

<b>J92</b>	<b>JP92</b>	<b>JT92</b>
<b>J92 hy.</b>	<b>JP92 hy.</b>	<b>JT92 hy.</b>



**STERZO**  
**STEERING**  
**BARRE DE DIRECTION**  
**LENKGETRIEBE**

1999
<b>003.0</b>
1 / 2



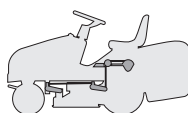
N.	CODE	Q.TY	DESCRIZIONE	DESCRIPTION	DESCRIPTION	BESCHREIBUNG
1	82034008/0	1	BILANCIERE COMPLETO DI BOCCOLA ED INGRASSATORE	EQUALIZER WITH BUSH AND LUBRICATOR	BALANCIER AVEC DOUILLE ET GRAISSEUR	KIPPHEBEL MIT BÜCHSE UND FETTBUCHSE
2	25034002/1	4	BOCCOLA	BUSH	DOUILLE	BÜCHSE
3	12379511/0	2	INGRASSATORE	GREASE DISPENSER	GRAISSEUR	FETTBUCHSE
4	82230355/0	1	FUSELLO DESTRO	RIGHT STUB AXLE	FUSEAU DROITE	RECHTER ACHSSCHENKEL
5	12001000/0	1	ANELLO ELASTICO	SNAP RING	ANNEAU RESSORT	SPRENGRING
6	82230357/0	1	FUSELLO SINISTRO	LEFT STUB AXLE	FUSEAU GAUCHE	LINKER ACHSSCHENKEL
7	25840006/0	1	TIRANTE COLLEG. FUSELLI	TIE ROD	TIRANT	SPANNSTANGE
8	22746600/0	2	SNODO	JOINT	JOINT	GELENK
9	12295200/0	2	DADO	NUT	ECROU	MUTTER
10	12585100/0	2	GROWER	GROWER	GROWER	GROWER
11	25318142/0	1	LEVA	LEVER	LEVIER	HEBEL
12	12692390/0	1	VITE	SCREW	VIS	SCHRAUBE
13	12156602/0	1	DADO	NUT	ECROU	MUTTER
14	25160016/0	1	DISTANZIALE	SPACER	ENTRETOISE	ENTFERNUNGSSTÜCK
15	12692695/0	1	VITE	SCREW	VIS	SCHRAUBE
16	12523100/0	2	RONDELLA	WASHER	RONDELLE	SCHIBE
17	12587100/0	1	GROWER	GROWER	GROWER	GROWER
18	12295300/0	1	DADO	NUT	ECROU	MUTTER
31	25785101/0	1	SUPPORTO	SUPPORT	SUPPORT	HALTER
32	12792611/0	4	VITE	SCREW	VIS	SCHRAUBE
33	12155000/0	4	DADO	NUT	ECROU	MUTTER
34	82785101/0	1	SUPPORTO	SUPPORT	SUPPORT	HALTER
35	12735120/0	4	VITE	SCREW	VIS	SCHRAUBE
36	25038003/0	1	BOCCOLA	BUSH	DOUILLE	BÜCHSE
37	25520003/0	1	PIANTONE	STEERING COLUMN	TUBE DE DIRECTION	LENKUNGSÄULE
38	25570000/0	1	PIGNONE	PINION	PIGNON	RITZEL
39	12622650/0	1	SPINA	PIN	GOUPILLE	STIFT



N.	CODE	Q.TY	DESCRIZIONE	DESCRIPTION	DESCRIPTION	BESCHREIBUNG
40	12521370/0	1	RONDELLA	WASHER	RONDELLE	SCHEIBE
41	12436030/0	1	PIASTRINA	PLATE	PLAQUETTE	PLATTECHEN
42	25040617/0	1	BUSSOLA	BUSH	DOUILLE	BÜCHSE
43	25510043/0	1	PRIGIONIERO	STUB SCREW	PRISSONIER	STIFTSCHIEBE
44	12295200/0	2	DADO	NUT	ECROU	MUTTER
45	25670012/0	2	RONDELLA	WASHER	RONDELLE	SCHEIBE
46	25735507/0	1	SETTORE	STEERING SHAFT	ARBRE DIRECTION	LENKUNGSWELLE
47	25670014/0	1	RONDELLA	WASHER	RONDELLE	SCHEIBE
48	22160400/0	1	DISCO ELASTICO	ELASTIC WASHER	DISQUE ELASTIQUE	FEDERSCHIEBE
49	12521360/0	1	ROSETTA	WASHER	RONDELLE	SCHEIBE
50	12156602/0	1	DADO	NUT	ECROU	MUTTER
51	22672150/0	2	RONDELLA	WASHER	RONDELLE	SCHEIBE
52	12523090/0	1	RONDELLA	WASHER	RONDELLE	SCHEIBE
53	12585100/0	1	GROWER	GROWER	GROWER	GROWER
54	12295200/0	1	DADO	NUT	ECROU	MUTTER
55	25033025/0	1	ASTA COM. STERZO	STEERING ROD DIRECTION	LEVIER BARRE DE DIRECTION	LENKUNGSSTAB
56	22746600/0	2	SNODO	JOINT	JOINT	GELENK
57	12585100/0	2	GROWER	GROWER	GROWER	GROWER
58	12295200/0	2	DADO	NUT	ECROU	MUTTER
59	25600036/0	1	PROTEZIONE MICRO	MICRO PROTECTION	PROTECTION MICRO	SCHUTZ
60	12727810/0	2	VITE	SCREW	VIS	SCHRAUBE
61	12521330/0	2	RONDELLA (JT)	WASHER (JT)	RONDELLE (JT)	SCHEIBE (JT)
71	82680002/1	2	RUOTA ANTERIORE	FRONT WHEEL	ROUE AVANT	VORDERRAD
72	82000590/0	2	CERCHIO RUOTA	RIMM	BANDAGE ROUE	VORDERRAD FELGER
73	25122200/1	4	CUSCINETTO	BEARING	ROULEMENT	LAGER
74	25590000/0	2	PNEUMATICO	SHOE	PNEU	REIFEN
75	25670005/1	2	RONDELLA	WASHER	RONDELLE	SCHEIBE
76	12001000/0	2	ANELLO ELASTICO	SNAP RING	ANNEAU RESSORT	SPRENGRING
77	22110230/0	2	COPRIMOZZO	HUB COVER	COUVRE MOYEU	NABEDECKEL
78	25950002/0	2	VALVOLA	VALVE	SOUPAPE	VENTIL

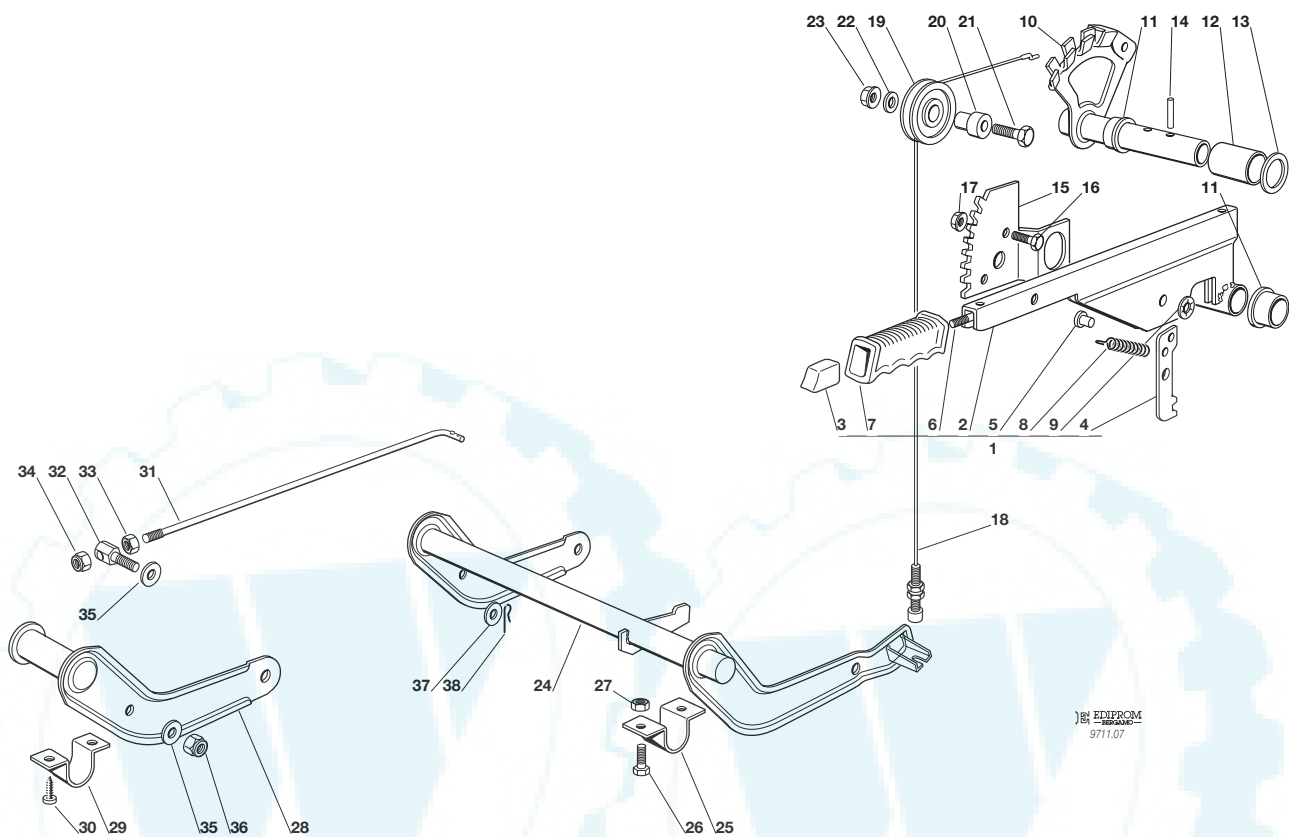


<b>J92</b>	<b>JP92</b>	<b>JT92</b>
<b>J92 hy.</b>	<b>JP92 hy.</b>	<b>JT92 hy.</b>



**SOLLEVAMENTO PIATTO DI TAGLIO**  
**CUTTING PLATE LIFTING**  
**SOULEVEMENT PLATEAU DE COUPE**  
**SCHNEIDWERKZEUG AUFHEBESATZ**

1999
<b>007.0</b>
1 / 2



N.	CODE	Q.TY	DESCRIZIONE	DESCRIPTION	DESCRIPTION	BESCHREIBUNG
1	82300002/0	1	ASSIEME LEVA (2÷9)	LEVER ASS.Y (2÷9)	ENS. LEVIER (2÷9)	SCHNEIDWERKZEUG AUFHEBENHEBEL (2÷9)
2	82318139/0	1	LEVA	LEVER	LEVIER	HEBEL
3	25605000/1	1	PULSANTE	BUTTON	POUSSOIR	DRUCKKNOPF
4	25470901/0	1	NASELLO	DOG	DECLIC	NASE
5	25510011/0	1	PERNO	PIN	PIVOT	BOLZEN
6	25033002/0	1	ASTA	ROD	TIGE	STAB
7	25394504/0	1	MANOPOLA	KNOB	POIGNEE	GRIFF
8	25430208/0	1	MOLLA	SPRING	RESSORT	FEDER
9	12604899/0	1	RONDELLA	WASHER	RONDELLE	SCHIEBE
10	82000403/0	1	ASSE	AXLE	AXE	ACHSE
11	22034523/0	2	BOCCOLA	BUSH	DOUILLE	BÜCHSE
12	25160013/0	1	DISTANZIALE	SPACER	ENTRETOISE	ENTFERNUNGSSTÜCK
13	12521410/0	1	RONDELLA	WASHER	RONDELLE	SCHIEBE
14	12620206/0	2	SPINA	PIN	GOUPILLE	STIFT
15	25735506/0	1	SETTORE	SECTOR	SECTEUR	SEKTOR
16	12792611/0	2	VITE	SCREW	VIS	SCHRAUBE
17	12293201/0	2	DADO	NUT	ECROU	MUTTER
18	82004603/0	1	FILO	WIRE	FIL	KABEL
19	25601557/0	1	PULEGGIA	PULLEY	POULIE	RIEMENSCHIEBE
20	25510032/0	1	PERNO	PIN	PIVOT	BOLZEN
21	12691400/0	1	VITE	SCREW	VIS	SCHRAUBE
22	12523060/0	1	RONDELLA	WASHER	RONDELLE	SCHIEBE
23	12293201/0	1	DADO	NUT	ECROU	MUTTER
24	82000381/0	1	ASSE SOLLEVAMENTO	AXLE	AXE	ACHSE
25	25547037/0	2	PIASTRINA	PLATE	PLAQUE	PLATTE
26	12791011/0	4	VITE	SCREW	VIS	SCHRAUBE
27	12292102/0	4	DADO	NUT	ECROU	MUTTER
28	82318137/0	1	LEVA	LEVER	LEVIER	HEBEL
29	25547041/0	2	PIASTRINA	PLATE	PLAQUE	PLATTE
30	12731601/0	4	VITE	SCREW	VIS	SCHRAUBE



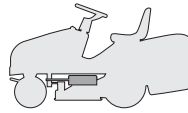
← **J92 • JP92 • JT92 • J92 hy. • JP92 hy. • JT92 hy.** 1999 **007.0** 2 / 2

N.	CODE	Q.TY	DESCRIZIONE	DESCRIPTION	DESCRIPTION	BESCHREIBUNG
31	25033013/0	1	ASTA	ROD	TIGE	STAB
32	25510040/1	1	PERNO	PIN	PIVOT	BOLZEN
33	12293200/0	1	DADO	NUT	ECROU	MUTTER
34	12155000/0	1	DADO	NUT	ECROU	MUTTER
35	25670011/0	2	RONDELLA	WASHER	RONDELLE	SCHEIBE
36	12155000/0	1	DADO	NUT	ECROU	MUTTER
37	12521350/0	1	RONDELLA	WASHER	RONDELLE	SCHEIBE
38	24487997/0	1	COPPIGLIA	COTTER PIN	GOUPILLE	SPLIT



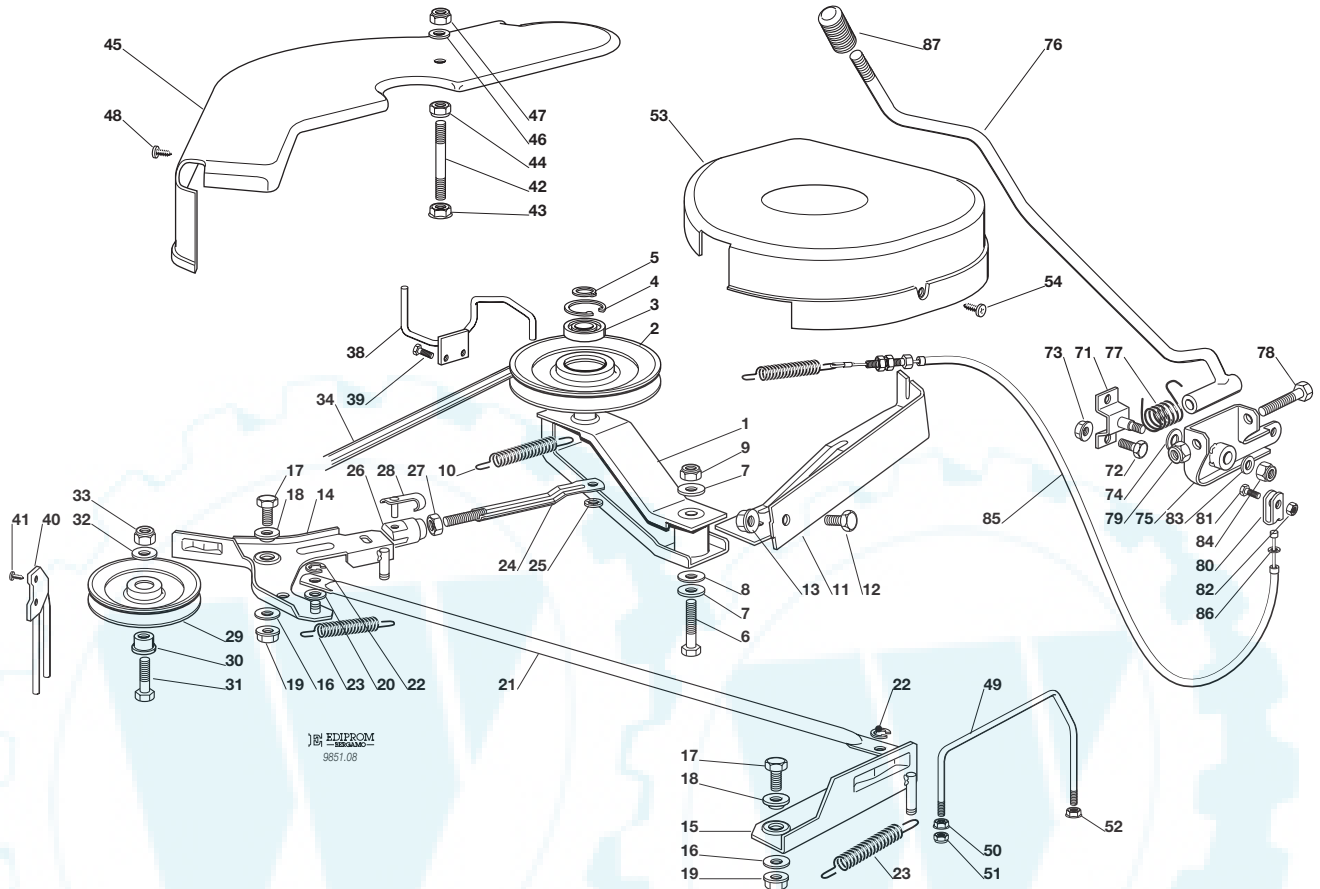


<b>J92</b>	<b>JP92</b>	<b>JT92</b>
<b>J92 hy.</b>	<b>JP92 hy.</b>	<b>JT92 hy.</b>



**PIATTO DI TAGLIO (1)**  
**CUTTING PLATE (1)**  
**PLATEAU DE COUPE (1)**  
**SCHNEIDWERKZEUG (1)**

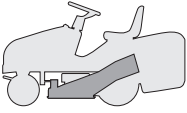
1999
<b>008.0</b>
1 / 2

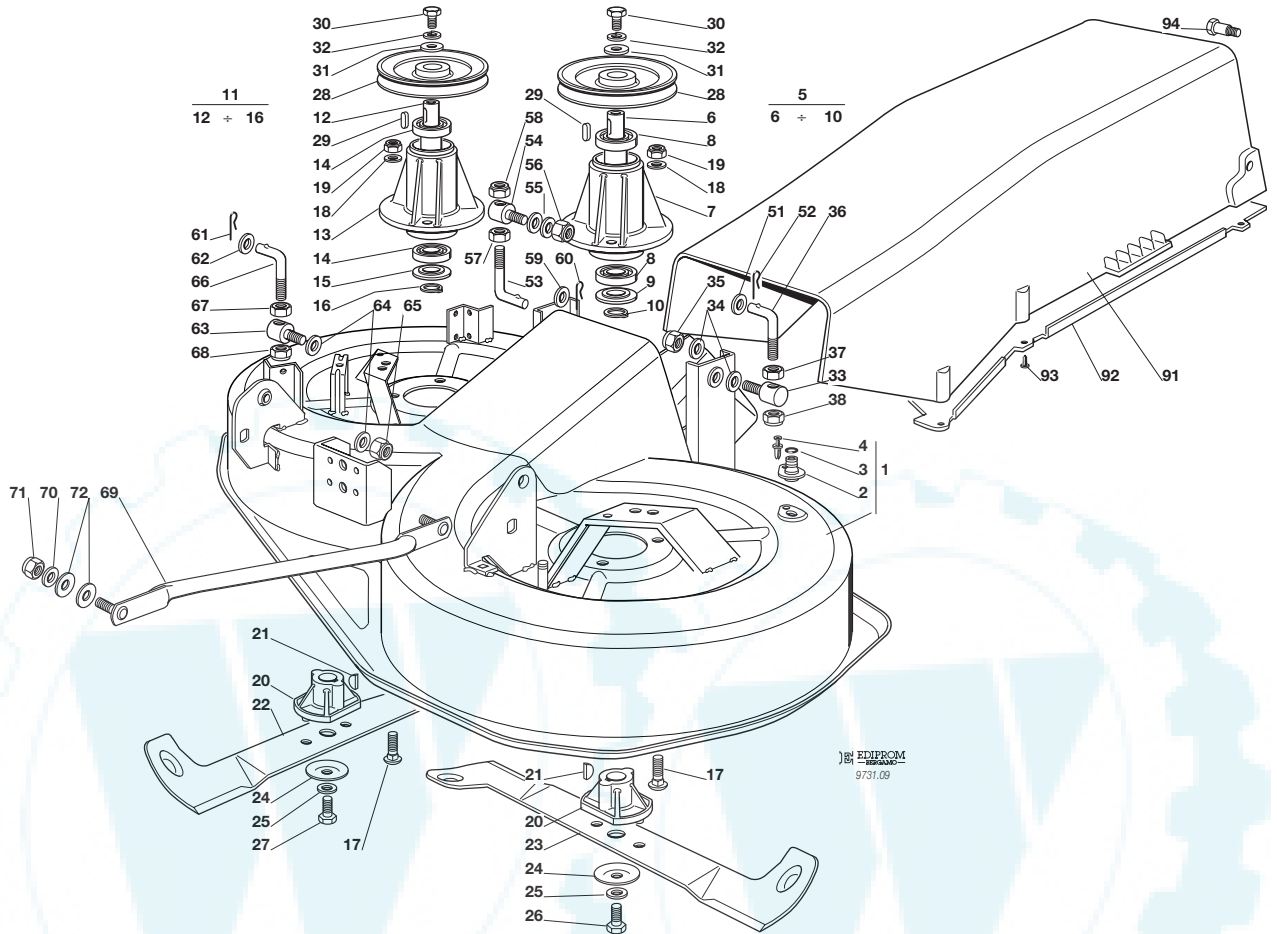


N.	CODE	Q.TY	DESCRIZIONE	DESCRIPTION	DESCRIPTION	BESCHREIBUNG
1	82318141/0	1	LEVA	LEVER	LEVIER	HEBEL
2	25601564/0	1	PULEGGIA	PULLEY	POULIE	RIEMENSCHLEIBE
3	19216033/1	1	CUSCINETTO	BEARING	ROULEMENT	KUGELLAGER
4	12610800/0	1	ANELLO ELASTICO	SNAP RING	ANNEAU RESSORT	SPRENGRING
5	12609200/0	1	ANELLO ELASTICO	SNAP RING	ANNEAU RESSORT	SPRENGRING
6	12691700/0	1	VITE	SCREW	VIS	SCHRAUBE
7	12523070/0	2	RONDELLA	WASHER	RONDELLE	SCHEIBE
8	22672152/0	1	RONDELLA	WASHER	RONDELLE	SCHEIBE
9	12155000/0	1	DADO	NUT	ECROU	MUTTER
10	22450500/0	1	MOLLA	SPRING	RESSORT	FEDER
11	82774215/0	1	STAFFA	CLAMP	BRIDE	BRIDE
12	12792610/0	1	VITE	SCREW	VIS	SCHRAUBE
13	12293201/0	1	DADO	NUT	ECROU	MUTTER
14	82318143/1	1	LEVA DESTRA	RIGHT LEVER	LEVIER DROITE	RECHTE HEBEL
15	82318148/0	1	LEVA SINISTRA	LEFT LEVER	LEVIER GAUCHE	LINKE HEBEL
16	22672152/0	2	RONDELLA	WASHER	RONDELLE	SCHEIBE
17	12792611/0	2	VITE	SCREW	VIS	SCHRAUBE
18	22041980/0	2	BUSSOLA	BUSH	DOUILLE	BÜCHSE
19	12293201/0	2	DADO	NUT	ECROU	MUTTER
20	25670011/0	1	RONDELLA	WASHER	RONDELLE	SCHEIBE
21	25033024/0	1	ASTA	ROD	TIGE	TAB
22	12436050/0	2	PIASTRINA	PLATE	PLAQUE	PLATTE
23	25430229/1	2	MOLLA	SPRING	RESSORT	FEDER
24	82000470/0	1	ASTA	ROD	TIGE	STAB
25	12436050/0	1	PIASTRINA	PLATE	PLAQUE	PLATTE
26	18399000/0	1	FORCELLA	FORK	FOURCHE	GABEL
27	12292100/0	1	DADO	NUT	ECROU	MUTTER
28	18210200/0	1	CLIP	CLIP	CLIP	SPERRBOLZEN
29	25601555/0	1	PULEGGIA	PULLEY	POULIE	RIEMENSCHLEIBE
30	25160007/0	1	DISTANZIALE	SPACER	ENTRETOISE	ENTFERNUNGSSTÜCK
31	12691100/0	1	VITE	SCREW	VIS	SCHRAUBE



N.	CODE	Q.TY	DESCRIZIONE	DESCRIPTION	DESCRIPTION	BESCHREIBUNG
32	12523060/0	1	RONDELLA	WASHER	RONDELLE	SCHEIBE
33	12155000/0	1	DADO	NUT	ECROU	MUTTER
34	35065700/0	1	CINGHIA	BELT	COURROIRE	KEILRIEMEN
38	25270301/0	1	GUIDACINGHIA	BELT GUIDE	GUIDE DE COURROIRE	RIEMENFÜHRUNG
39	12729601/0	2	VITE	SCREW	VIS	SCHRAUBE
40	25270304/0	1	GUIDACINGHIA	BELT GUIDE	GUIDE DE COURROIRE	RIEMENFÜHRUNG
41	12731601/0	2	VITE	SCREW	VIS	SCHRAUBE
42	25580007/0	1	PRIGIONIERO	STUD SCREW	PRISONNIER	STIFTSCHNEIBE
43	12293201/0	1	DADO	NUT	ECROU	MUTTER
44	12155000/0	1	DADO	NUT	ECROU	MUTTER
45	25060102/0	1	CARTER	CASE	CARTER	BLECH
46	12523060/0	1	RONDELLA	WASHER	RONDELLE	SCHEIBE
47	12155000/0	1	DADO	NUT	ECROU	MUTTER
48	12735110/0	2	VITE	SCREW	VIS	SCHRAUBE
49	25270305/0	1	GUIDACINGHIA	BELT GUIDE	GUIDE DE COURROIRE	RIEMENFÜHRUNG
50	12293201/0	1	DADO	NUT	ECROU	MUTTER
51	12155000/0	1	DADO	NUT	ECROU	MUTTER
52	12292102/0	1	DADO	NUT	ECROU	MUTTER
53	25060103/0	1	CARTER	CASE	CARTER	BLECH
54	12735110/0	2	VITE	SCREW	VIS	SCHRAUBE
71	82785073/0	1	SUPPORTO	SUPPORT	SUPPORT	HALTER
72	12792611/0	2	VITE	SCREW	VIS	SCHRAUBE
73	12293201/0	2	DADO	NUT	ECROU	MUTTER
74	22672151/0	1	RONDELLA	WASHER	RONDELLE	SCHEIBE
75	82774204/0	1	STAFFA	CLAMP	BRIDE	BRIDE
76	82318135/0	1	LEVA	LEVER	LEVIER	HEBEL
77	25430227/0	1	MOLLA	SPRING	RESSORT	FEDER
78	12692050/0	1	VITE	SCREW	VIS	SCHRAUBE
79	12155000/0	1	DADO	NUT	ECROU	MUTTER
80	22061337/0	1	CAVALLOTTO	CONNECTING PLATE	PAQUE DE CONNEXION	BUGEL BOLZEN
81	12791213/0	1	VITE	SCREW	VIS	SCHRAUBE
82	12154510/0	1	DADO	NUT	ECROU	MUTTER
83	12523060/0	1	RONDELLA	WASHER	RONDELLE	SCHEIBE
84	12155010/0	1	DADO	NUT	ECROU	MUTTER
85	82004604/1	1	FILO	WIRE	FIL	KABEL
86	12521350/0	1	RONDELLA	WASHER	RONDELLE	SCHEIBE
87	25394503/1	1	MANOPOLA	KNOB	POIGNEE	GRIFF

<b>J92</b>	<b>JP92</b>	<b>JT92</b>		<b>PIATTO DI TAGLIO (2)</b>	1999
<b>J92 hy.</b>	<b>JP92 hy.</b>	<b>JT92 hy.</b>		<b>CUTTING PLATE (2)</b>	<b>009.0</b>
				<b>PLATEAU DE COUPE (2)</b>	1 / 2
				<b>SCHNEIDWERKZEUG (2)</b>	



N.	CODE	Q.TY	DESCRIZIONE	DESCRIPTION	DESCRIPTION	BESCHREIBUNG
1	82564034/1	1	PIATTO	PLATE	PLATEAU	SCHNEID
2	25033060/0	2	ATTACCO	WATER HOSE CONNECTION	RACCORD TUYAU D'EAU	WASSERANSCHLUSS
3	19035000/0	2	ANELLO OR	O RING	O RING	O RING
4	12500030/0	2	RIVETTO	RIVET	RIVET	NIET
5	82207202/0	1	ASS. FLANGIA SINISTRA (6÷10)	LEFT FLANGE ASS.Y (6÷10)	ENS. BRIDE GAUCHE (6÷10)	LINKE NABE, KOMPLETT (6÷10)
6	25020802/0	1	ALBERO	SHAFT	ARBRE	WELLE
7	25207200/0	1	FLANGIA	FLANGE	BRIDE	FLANSCH
8	19216032/0	2	CUSCINETTO	BEARING	ROULEMENT	KUGELLAGER
9	25160501/0	1	DISCO PARAPOLVERE	DUST COVER	PROTEGE-POUSSIERE	STAUBSCHUTTSCHIEBE
10	12609260/0	1	SEEGER	SEEGER	SEEGER	SEEGER
11	82207203/0	1	ASS. FLANGIA DESTRA (12÷16)	RIGHT FLANGE ASS.Y (12÷16)	ENS. BRIDE DROITE (12÷16)	RECHTE NABE, KOMPLETT (12÷16)
12	25020803/0	1	ALBERO	SHAFT	ARBRE	WELLE
13	25207200/0	1	FLANGIA	FLANGE	BRIDE	FLANSCH
14	19216032/0	2	CUSCINETTO	BEARING	ROULEMENT	KUGELLAGER
15	25160501/0	1	DISCO PARAPOLVERE	DUST COVER	PROTEGE-POUSSIERE	STAUBSCHUTTSCHIEBE
16	12609260/0	1	SEEGER	SEEGER	SEEGER	SEEGER
17	12818700/0	6	VITE	SCREW	VIS	SCHRAUBE
18	12521350/0	6	RONDELLA	WASHER	RONDELLE	SCHEIBE
19	12155000/0	6	DADO	NUT	ECROU	MUTTER
20	25463200/0	2	MOZZO COLTELLO	BLADE HUB	MOYEU LAME	MESSERHALTER
21	12139100/0	2	LINGUETTA	KEY	CLAVETTE	KEIL
22	82004345/0	1	COLTELLO DESTRO	RIGHT BLADE	LAME DROITE	RECHTER MESSER
23	82004344/0	1	COLTELLO SINISTRO	LEFT BLADE	LAME GAUCHE	LINKER MESSER
24	22160400/0	2	DISCO PARAPOLVERE	DUST COVER	PROTEGE-POUSSIERE	STAUBSCHUTTSCHIEBE
25	12523080/0	2	RONDELLA	WASHER	RONDELLE	SCHEIBE
26	12735694/0	1	VITE	SCREW	VIS	SCHRAUBE
27	12735695/1	1	VITE	SCREW	VIS	SCHRAUBE
28	25601563/0	2	PULEGGIA	PULLEY	POULIE	RIEMENSCHIEBE
29	12139480/0	2	CHIAVETTA	KEY	CLAVETTE	KEIL



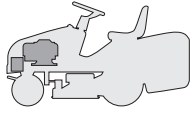
**J92 • JP92 • JT92 • J92 hy. • JP92 hy. • JT92 hy.**

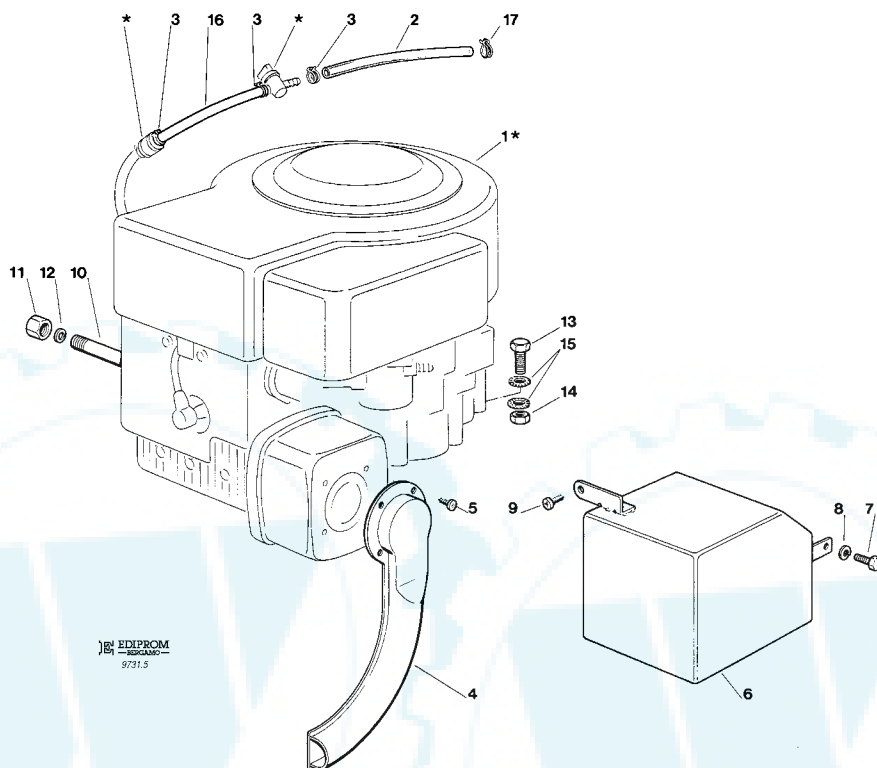
1999

**009.0**

2 / 2

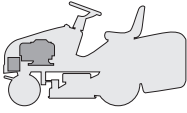
N.	CODE	Q.TY	DESCRIZIONE	DESCRIPTION	DESCRIPTION	BESCHREIBUNG
30	12793102/0	2	VITE	SCREW	VIS	SCHRAUBE
31	25670007/0	2	RONDELLA	WASHER	RONDELLE	SCHEIBE
32	12583500/0	2	GROWER	GROWER	GROWER	GROWER
33	25510024/0	1	PERNO	PIN	PIVOT	BOLZEN
34	25670008/0	2	RONDELLA	WASHER	RONDELLE	SCHEIBE
35	12156602/0	1	DADO	NUT	ECROU	MUTTER
36	25840003/0	1	TIRANTE	TIE ROD	TIRANT	SPANNSTANGE
37	12295200/0	1	DADO	NUT	ECROU	MUTTER
38	12156602/0	1	DADO	NUT	ECROU	MUTTER
—	82564036/1	1	PIATTO DI TAGLIO ASSEMBLATO	CUTTING PLATE, ASSEMBLED	PLATEAU DE COUPE, COMPLETE	SCHNEIDWERKZEUG, KOMPLETT
			(008.0, 1÷39 + 009.0, 1÷38)	(008.0, 1÷39 + 009.0, 1÷38)	(008.0, 1÷39 + 009.0, 1÷38)	(008.0, 1÷39 + 009.0, 1÷38)
51	25670008/0	1	RONDELLA	WASHER	RONDELLE	SCHEIBE
52	24487997/0	1	COPPIGLIA	COTTER PIN	GOUPILLE	SPLIT
53	25840007/0	1	TIRANTE	TIE ROD	TIRANT	SPANNSTANGE
54	25510024/0	2	PERNO	PIN	PIVOT	BOLZEN
55	25670008/0	2	RONDELLA	WASHER	RONDELLE	SCHEIBE
56	12156602/0	1	DADO	NUT	ECROU	MUTTER
57	12295200/0	1	DADO	NUT	ECROU	MUTTER
58	12156602/0	1	DADO	NUT	ECROU	MUTTER
59	12521360/0	1	RONDELLA	WASHER	RONDELLE	SCHEIBE
60	24487997/0	1	COPPIGLIA	COTTER PIN	GOUPILLE	SPLIT
61	24487997/0	1	COPPIGLIA	COTTER PIN	GOUPILLE	SPLIT
62	25670008/0	1	RONDELLA	WASHER	RONDELLE	SCHEIBE
63	25510024/0	1	PERNO	PIN	PIVOT	BOLZEN
64	25670008/0	2	RONDELLA	WASHER	RONDELLE	SCHEIBE
65	12156602/0	1	DADO	NUT	ECROU	MUTTER
66	25840003/0	1	TIRANTE	TIE ROD	TIRANT	SPANNSTANGE
67	12295200/0	1	DADO	NUT	ECROU	MUTTER
68	12156602/0	1	DADO	NUT	ECROU	MUTTER
69	82000474/0	2	ASTA BILANCIERE	EQUALIZER ROD	TIGE BALANCIER	KIPPHEBEL
70	12523060/0	4	RONDELLA	WASHER	RONDELLE	SCHEIBE
71	12156602/0	4	DADO	NUT	ECROU	MUTTER
72	25670008/0	8	RONDELLA	WASHER	RONDELLE	SCHEIBE
91	25108004/0	1	CONVOGLIATORE	CONVEYOR	CONVOYEUR	BLECHSATZ
92	25190091/0	1	DEFLETTORE	DEFLECTOR	DEFLECTEUR	ABWEISER
93	12735402/0	6	VITE	SCREW	VIS	SCHRAUBE
94	25510044/0	2	PERNO	PIN	PIVOT	BOLZEN

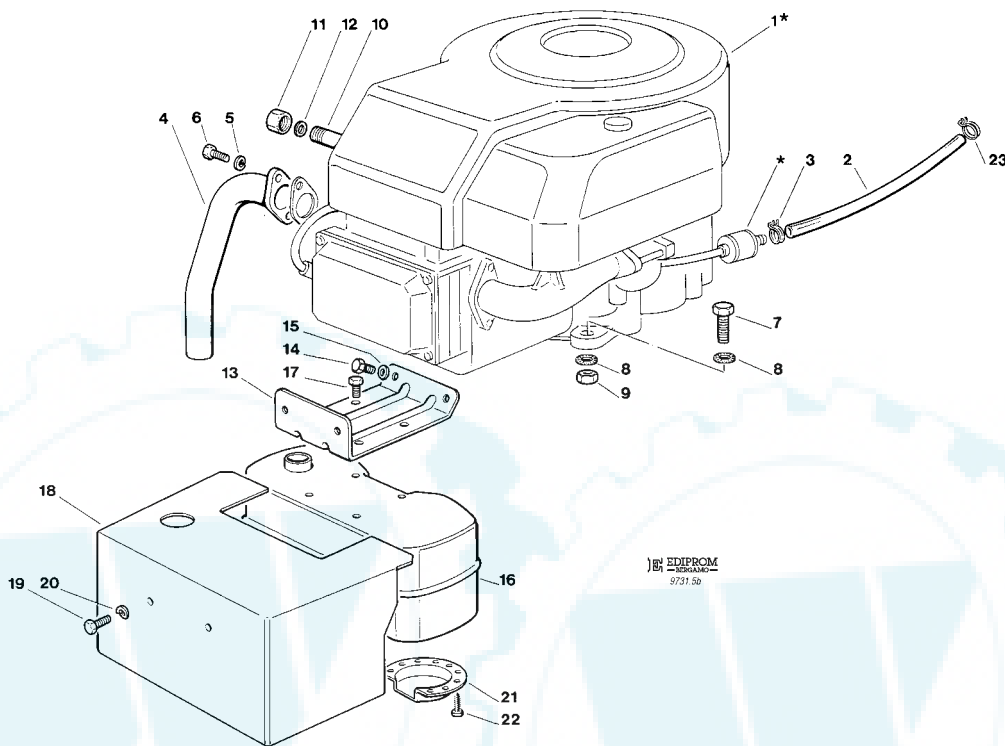
<b>J92</b>	<b>JP92</b>	<b>JT92</b>	 <b>MOTORE</b> <b>ENGINE</b> <b>MOTEUR</b> <b>MOTOR</b> <b>10,5 - 12,5 - 13 HP B&amp;S</b>	1999
<b>J92 hy.</b>	<b>JP92 hy.</b>	<b>JT92 hy.</b>		<b>005.0</b>
				1 / 1



N.	CODE	Q.TY	DESCRIZIONE	DESCRIPTION	DESCRIPTION	BESCHREIBUNG
1*	—	1	MOTORE	ENGINE	MOTEUR	MOTOR
2	25869016/0	1	TUBO COLLEGAMENTO	CONNECTING TUBE	TUBE DE CONNEXION	VERBINDUNGSROHR
3	18375051/1	3	FASCETTA	FAIR LED	FIXATION DE CABLE	KABELBEFESTIGUNG
4*	82640001/1	1	RACCORDO SCARICO	EXHAUST CONNECTION	CONNEXION ECHAPPEMENT	AUSPUFFANSCHLUSS
5	12735106/0	4	VITE	SCREW	VIS	SCHRAUBE
6	82598001/0	1	PROTEZIONE SILENZIATORE	MUFFLER PROTECTION	PROTECTION SILENCIEUX	AUSPUFFSCHUTZ
7	12735510/0	1	VITE	SCREW	VIS	SCHRAUBE
8	12582100/0	1	GROWER	GROWER	GROWER	GROWER
9	12735104/0	1	VITE	SCREW	VIS	SCHRAUBE
10	25598050/0	1	PROLUNGA SCARICO OLIO	OIL DISCHARGE EXTENSION	EXTENSION RALLONGE DE DECH. HUILE	ÖL ENTLEERUNGSVERLÄNGERUNG
11	18737849/0	1	TAPPO PER PROLUNGA	OIL CAP	BOUCHON HUILE	OELVERSCHLUSS
12	18401001/0	1	GUARNIZIONE	OIL SEAL	GARNITURE	DICHTUNG
13	12691100/0	4	VITE	SCREW	VIS	SCHRAUBE
14	12293200/0	1	DADO	NUT	ECROU	MUTTER
	12293201/0	3	DADO	NUT	ECROU	MUTTER
15	12540260/0	2	RONDELLA	WASHER	RONDELLE	SCHIBE
16	25869006/0	1	TUBO COLLEGAMENTO	CONNECTING TUBE	TUBE DE CONNEXION	VERBINDUNGSROHR
17	18375053/0	1	FASCETTA	FAIR LED	FIXATION DE CABLE	KABELBEFESTIGUNG

PER LA SOSTITUZIONE DELLE PARTI CONTRASSEGNAE CON «\*» RIVOLGERSI AL SERVIZIO ASSISTENZA DEL COSTRUTTORE DEL MOTORE.  
 TO REPLACE THE PARTS MARKED «\*» SEEK ASSISTANCE FROM THE ENGINE MANUFACTURER'S AFTER SALES SERVICE.  
 POUR LE REMPLACEMENT DES PIÈCES MARQUÉES AVEC «\*» S'ADRESSER AU SERVICE APRÈS VENTES DU CONSTRUCTEUR DU MOTEUR.  
 ZUM AUSTAUSCH DER MIT «\*» GEKENNZEICHNETEN TEILE, WENDEN SIE SICH AN DEN KUNDENDIENST DES HERSTELLERS DES MOTOR.

<b>J92</b>	<b>JP92</b>	<b>JT92</b>	 <b>MOTORE</b> <b>ENGINE</b> <b>MOTEUR</b> <b>MOTOR</b> <b>15,5 HP B&amp;S</b>	1999
<b>J92 hy.</b>	<b>JP92 hy.</b>	<b>JT92 hy.</b>		<b>005b.0</b>
				1 / 2



N.	CODE	Q.TY	DESCRIZIONE	DESCRIPTION	DESCRIPTION	BESCHREIBUNG
1*	—	1	MOTORE	ENGINE	MOTEUR	MOTOR
2	25869016/0	1	TUBO COLLEGAMENTO	CONNECTING TUBE	TUBE DE CONNEXION	VERBINDUNGSROHR
3	18375051/1	1	FASCETTA	FAIR LED	FIXATION DE CABLE	KABELBEFESTIGUNG
4*	18738206/0	1	TUBO RACCORDO SCARICO	EXHAUST CONNECTING TUBE	TUBE DE CONNEXION POUR ECHAPPEMENT	VERBINDUNGSROHR FÜR ABGASUNG
5	12583500/0	2	GROWER	GROWER	GROWER	GROWER
6	12735530/0	2	VITE	SCREW	VIS	SCHRAUBE
7	12691100/0	4	VITE	SCREW	VIS	SCHRAUBE
8	12540260/0	2	RONDELLA	WASHER	RONDELLE	SCHEIBE
9	12293200/0	1	DADO	NUT	ECROU	MUTTER
	12293201/0	3	DADO	NUT	ECROU	MUTTER
10	25598050/0	1	PROLUNGA SCARICO OLIO	OIL DISCHARGE EXTENSION	EXTENSION RALLONGE DE DECH. HUILE	ÖL ENTLEERUNGSVERLAEN- GERUNG
11	18737849/0	1	TAPPO PROLUNGA	OIL CAP	BOUCHON HUILE	OELVERSCHLUSS
12	18401001/0	1	GUARNIZIONE	OIL SEAL	GARNITURE	DICHTUNG
13	82785093/0	1	SUPPORTO SILENZIATORE	MUFFLER SUPPORT	SUPPORT SILENCIEUX	AUSPUFFHALTERSATZ
14	12793102/0	2	VITE	SCREW	VIS	SCHRAUBE
15	12540260/0	2	RONDELLA	WASHER	RONDELLE	SCHEIBE
16	18716132/0	1	SILENZIATORE COMPLETO DI DEFLETTORE	MUFFLER WITH DEFLECTOR	SILENCIEUX AVEC DEFLECTEUR	AUSPUFF MIT DEFLEKTOR
17	12735107/0	4	VITE	SCREW	VIS	SCHRAUBE
18	82598009/1	1	PROTEZIONE	GUARD	PROTECTION	SCHUTZE
19	12792611/0	2	VITE	SCREW	VIS	SCHRAUBE
20	12583500/0	2	GROWER	GROWER	GROWER	GROWER
21	18310005/0	1	DEFLETTORE	DEFLECTOR	DEFLECTEUR	DEFLEKTOR
22	12735106/0	4	VITE	SCREW	VIS	SCHRAUBE
23	18375053/0	1	FASCETTA	FAIR LED	FIXATION DE CABLE	KABELBEFESTIGUNG

PER LA SOSTITUZIONE DELLE PARTI CONTRASSEGNALE CON «\*» RIVOLGERSI AL SERVIZIO ASSISTENZA DEL COSTRUTTORE DEL MOTORE.  
 TO REPLACE THE PARTS MARKED «\*» SEEK ASSISTANCE FROM THE ENGINE MANUFACTURER'S AFTER SALES SERVICE.



	<b>J92 • JP92 • JT92 • J92 hy. • JP92 hy. • JT92 hy.</b>	1999	<b>005b.0</b>	2 / 2
---	--	------	---------------	-------

N.	CODE	Q.TY	DESCRIZIONE	DESCRIPTION	DESCRIPTION	BESCHREIBUNG
----	------	------	-------------	-------------	-------------	--------------

POUR LE REMPLACEMENT DES PIÈCES MARQUÉES AVEC «\*» S'ADRESSER AU SERVICE APRÈS VENTES DU CONSTRUCTEUR DU MOTEUR.  
ZUM AUSTAUSCH DER MIT «\*» GEKENNZEICHNETEN TEILE, WENDEN SIE SICH AN DEN KUNDENDIENST DES HERSTELLERS DES MOTOR.



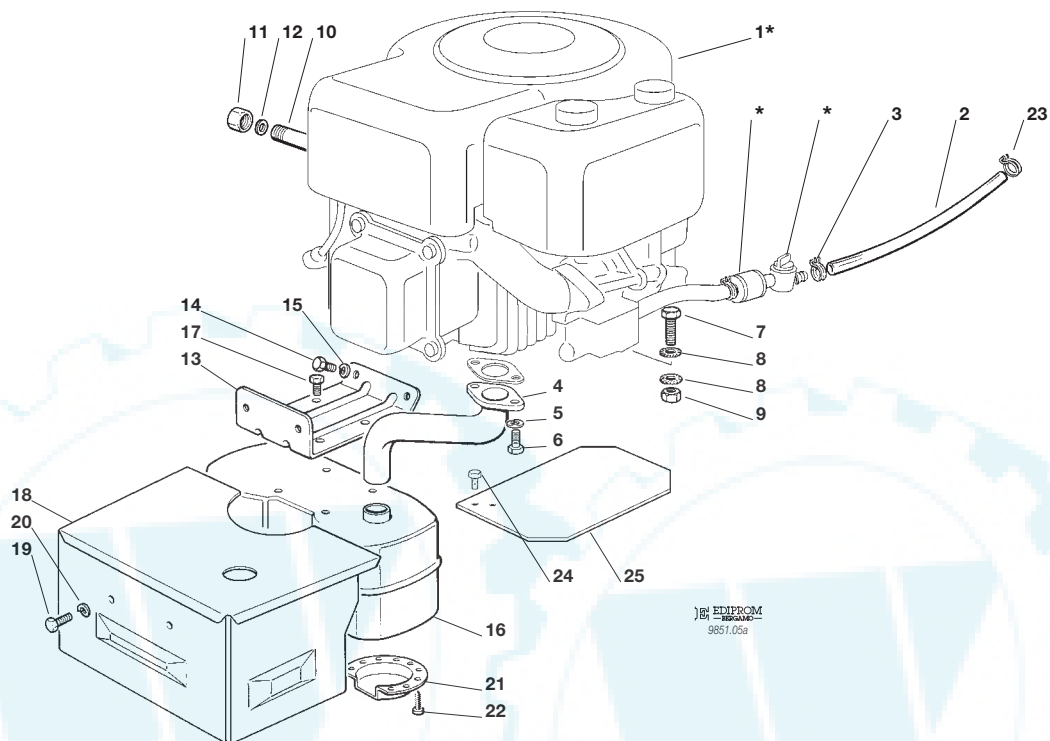


<b>J92</b>	<b>JP92</b>	<b>JT92</b>
<b>J92 hy.</b>	<b>JP92 hy.</b>	<b>JT92 hy.</b>



**MOTORE**  
**ENGINE**  
**MOTEUR**  
**MOTOR**  
**13 HP TECUMSEH**

1999
<b>005a.0</b>
1 / 2



N.	CODE	Q.TY	DESCRIZIONE	DESCRIPTION	DESCRIPTION	BESCHREIBUNG
1*	—	1	MOTORE	ENGINE	MOTEUR	MOTOR
2	25869027/0	1	TUBO COLLEGAMENTO	CONNECTING TUBE	TUBE DE CONNEXION	VERBINDUNGSROHR
3	18375051/1	4	FASCETTA	FAIR LED	FIXATION DE CABLE	KABELBEFESTIGUNG
4*	18738211/0	1	TUBO RACCORDO SCARICO	EXHAUST CONNECTING TUBE	TUBE DE CONNEXION POUR ECHAPPEMENT	VERBINDUNGSROHR FÜR ABGASUNG
5	12583500/0	2	GROWER	GROWER	GROWER	GROWER
6	12735530/0	2	VITE	SCREW	VIS	SCHRAUBE
7	12691100/0	4	VITE	SCREW	VIS	SCHRAUBE
8	12540260/0	4	RONDELLA	WASHER	RONDELLE	SCHEIBE
9	12293200/0	1	DADO	NUT	ECROU	MUTTER
10	25598050/0	1	PROLUNGA SCARICO OLIO	OIL DISCHARGE EXTENSION	EXTENSION RALLONGE DE DECH. HUILE	ÖL ENTLEERUNGSVERLÄEN- GERUNG
11	18737849/0	1	TAPPO PROLUNGA	OIL CAP	BOUCHON HUILE	OELVERSCHLUSS
12	18401001/0	1	GUARNIZIONE	OIL SEAL	GARNITURE	DICHTUNG
13	82785093/0	1	SUPPORTO SILENZIATORE	MUFFLER SUPPORT	SUPPORT SILENCIEUX	AUSPUFFHALTERSATZ
14	12793102/0	2	VITE	SCREW	VIS	SCHRAUBE
15	12540260/0	2	RONDELLA	WASHER	RONDELLE	SCHEIBE
16	18716132/0	1	SILENZIATORE COMPLETO DI DEFLETTORE	MUFFLER WITH DEFLECTOR	SILENCEUX AVEC DEFLECTEUR	AUSPUFF MIT DEFLEKTOR
17	12735107/0	4	VITE	SCREW	VIS	SCHRAUBE
18	82598017/0	1	PROTEZIONE	GUARD	PROTECTION	SCHUTZE
19	12792611/0	2	VITE	SCREW	VIS	SCHRAUBE
20	12583500/0	2	GROWER	GROWER	GROWER	GROWER
21	18310005/0	1	DEFLETTORE	DEFLECTOR	DEFLECTEUR	DEFLEKTOR
22	12735106/0	4	VITE	SCREW	VIS	SCHRAUBE
23	18375053/0	1	FASCETTA	FAIR LED	FIXATION DE CABLE	KABELBEFESTIGUNG
24	25600031/0	1	PROTEZIONE SILENZIATORE	MUFFLER PROTECTION	PROTECTION SILENCIEUX	AUSPUFFSCHUTZ
25	12735106/0	2	VITE	SCREW	VIS	SCHRAUBE

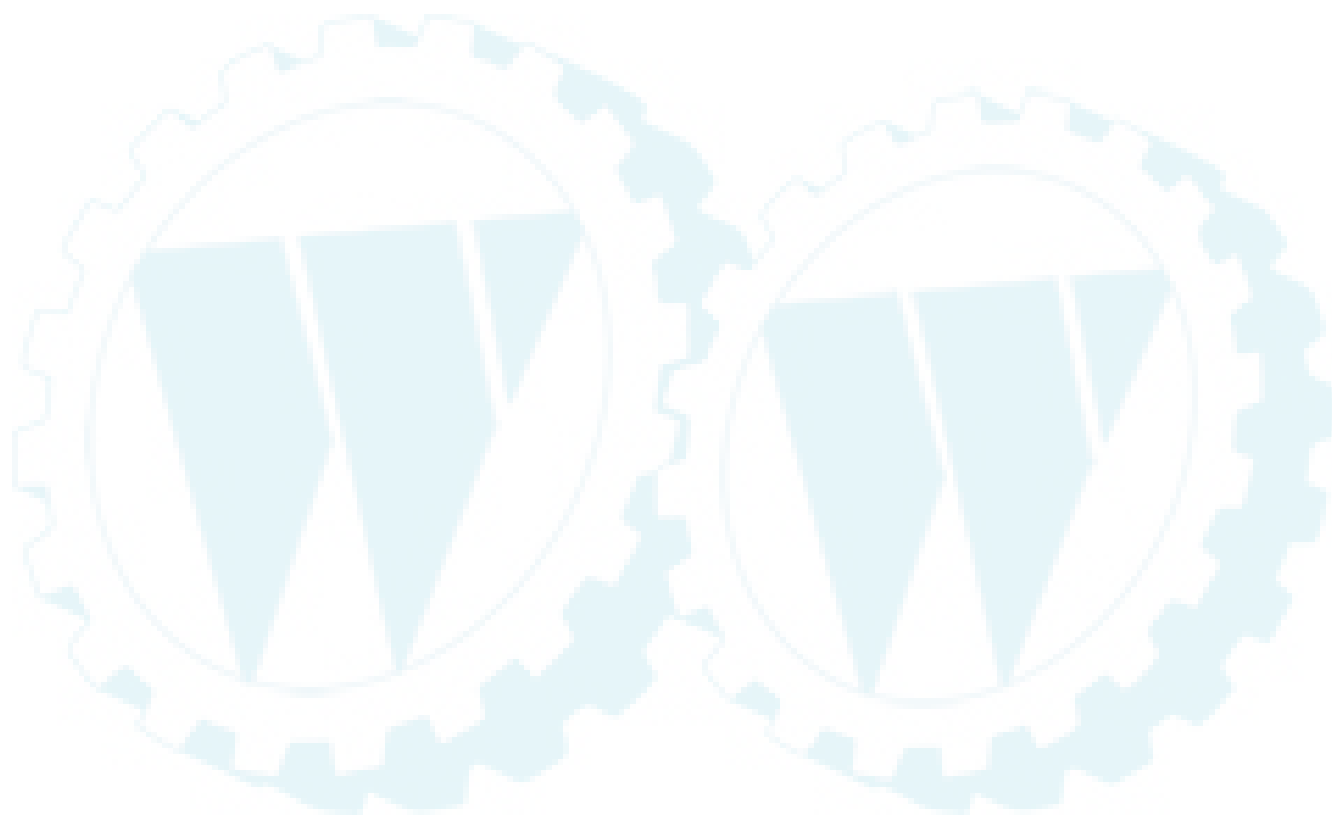




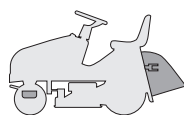
	<b>J92 • JP92 • JT92 • J92 hy. • JP92 hy. • JT92 hy.</b>	1999	<b>005a.0</b>	2 / 2
---	--	------	---------------	-------

N.	CODE	Q.TY	DESCRIZIONE	DESCRIPTION	DESCRIPTION	BESCHREIBUNG
----	------	------	-------------	-------------	-------------	--------------

PER LA SOSTITUZIONE DELLE PARTI CONTRASSEGNALE CON «\*» RIVOLGERSI AL SERVIZIO ASSISTENZA DEL COSTRUTTORE DEL MOTORE.  
TO REPLACE THE PARTS MARKED «\*» SEEK ASSISTANCE FROM THE ENGINE MANUFACTURER'S AFTER SALES SERVICE.  
POUR LE REMPLACEMENT DES PIÈCES MARQUÉES AVEC «\*» S'ADRESSER AU SERVICE APRÈS VENTES DU CONSTRUCTEUR DU MOTEUR.  
ZUM AUSTAUSCH DER MIT «\*» GEKENNZEICHNETEN TEILE, WENDEN SIE SICH AN DEN KUNDENDIENST DES HERSTELLERS DES MOTOR.

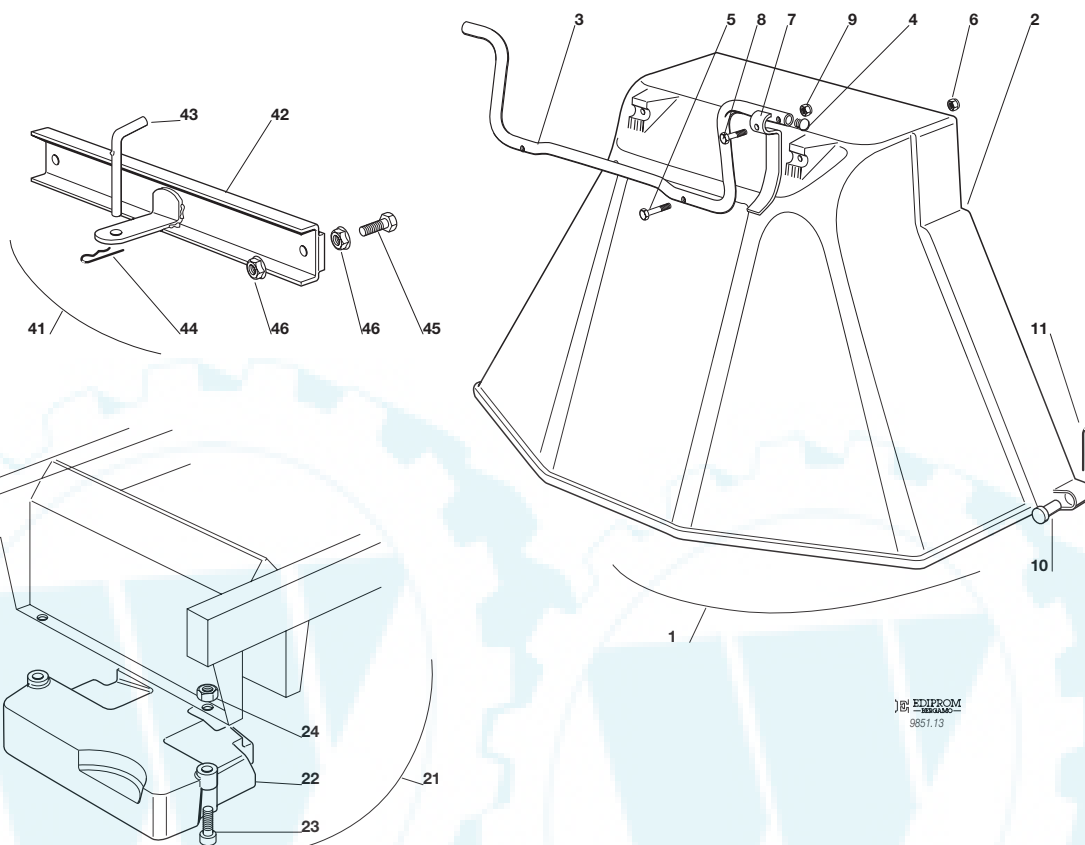


<b>J92</b>	<b>JP92</b>	<b>JT92</b>
<b>J92 hy.</b>	<b>JP92 hy.</b>	<b>JT92 hy.</b>



**ACCESSORI A RICHIESTA  
OPTIONALS ON REQUEST  
ACCESSOIRES SUR DEMANDE  
ZUBEHOERE NACH ANFRAGE**

1999
<b>013.0</b>
1 / 1



N.	CODE	Q.TY	DESCRIZIONE	DESCRIPTION	DESCRIPTION	BESCHREIBUNG
1	99900050/0	1	ASS. KIT PROTEZIONE USCITA	EJECTION-GUARD ASS.Y	KIT PROTECTION SORTIE	VORRICHTUNG FÜR AUSWURESCHUTZ
2	82400002/0	1	PROTEZIONE USCITA	EJECTION GUARD	PROTECTION SORTIE	AUSWURFSCHUTZ
3	25869031/0	1	TUBO DI AGGANCIO	SUPPORT	SOPPORT	HALTER
4	18566113/0	2	PUNTALE	CAP	BOUCHON	PFROPFEN
5	12674701/0	2	VITE	SCREW	VIS	SCHRAUBE
6	12154510/0	2	DADO	NUT	ECROU	MUTTER
7	25547053/0	1	PIASTRINA	PLATE	PLAQUETTE	PLÄTTCHEN
8	12791500/0	1	VITE	SCREW	VIS	SCHRAUBE
9	12154510/0	1	DADO	NUT	ECROU	MUTTER
10	25510022/0	2	PERNO	PIN	PIVOT	BOLZEN
11	24487998/0	2	COPPIGLIA	COTTER PIN	GOUPILLE	SPLIT
21	99900030/4	1	ASS. KIT PESO ANT.	FRONT WEIGHT KIT	KIT POIDS ANTERIEUR	VORDERGEWICHT
22	25519999/4	1	PESO	WEIGHT	POIDS	GEWICHT
23	12760520/0	3	VITE	SCREW	VIS	SCHRAUBE
24	12155000/0	3	DADO	NUT	ECROU	MUTTER
41	99900080/1	1	ASS. KIT TRAINO	HITCH KIT	KIT DE TRAINAGE	ZUGVORRICHTUNG
42	82033103/1	1	BARRA	ROD	BARRE	STANGE
43	25510021/0	1	PERNO	PIN	PIVOT	BOLZEN
44	24487999/0	1	COPPIGLIA	COTTER PIN	GOUPILLE	SPLIT
45	12793301/0	2	VITE	SCREW	VIS	SCHRAUBE
46	12293201/0	4	DADO	NUT	ECROU	MUTTER
-	18737950/0	1	TELO DI COPERTURA	CLOTH	BÂCHE	PLANE