

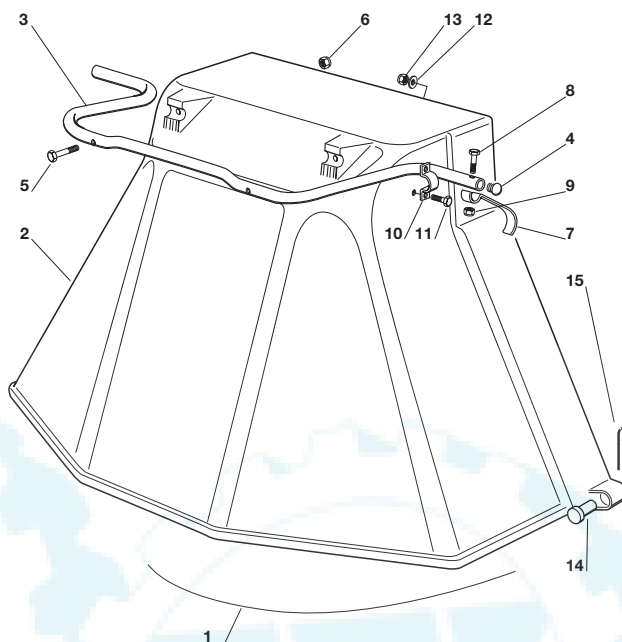
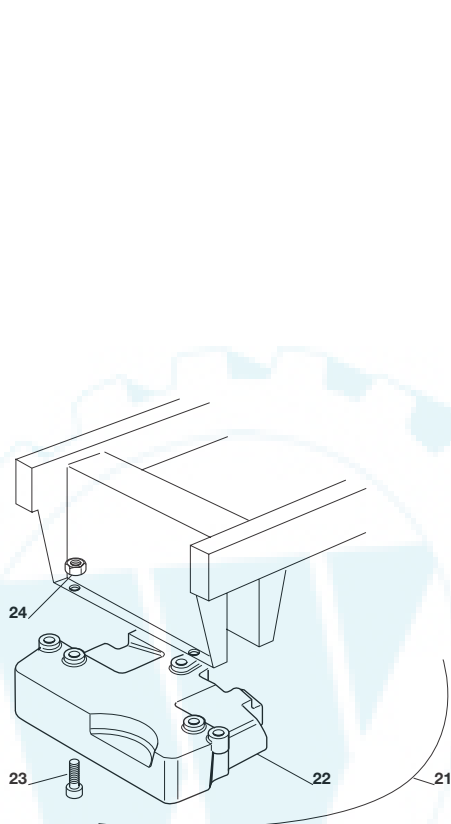
F72

F72 hydro



ACCESSORI A RICHIESTA
OPTIONALS ON REQUEST
ACCESSOIRES SUR DEMANDE
ZUBEHOERE NACH ANFRAGE

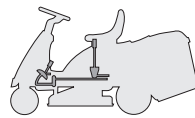
1999
012.0
1 / 1



EDIPROM
 9852.12

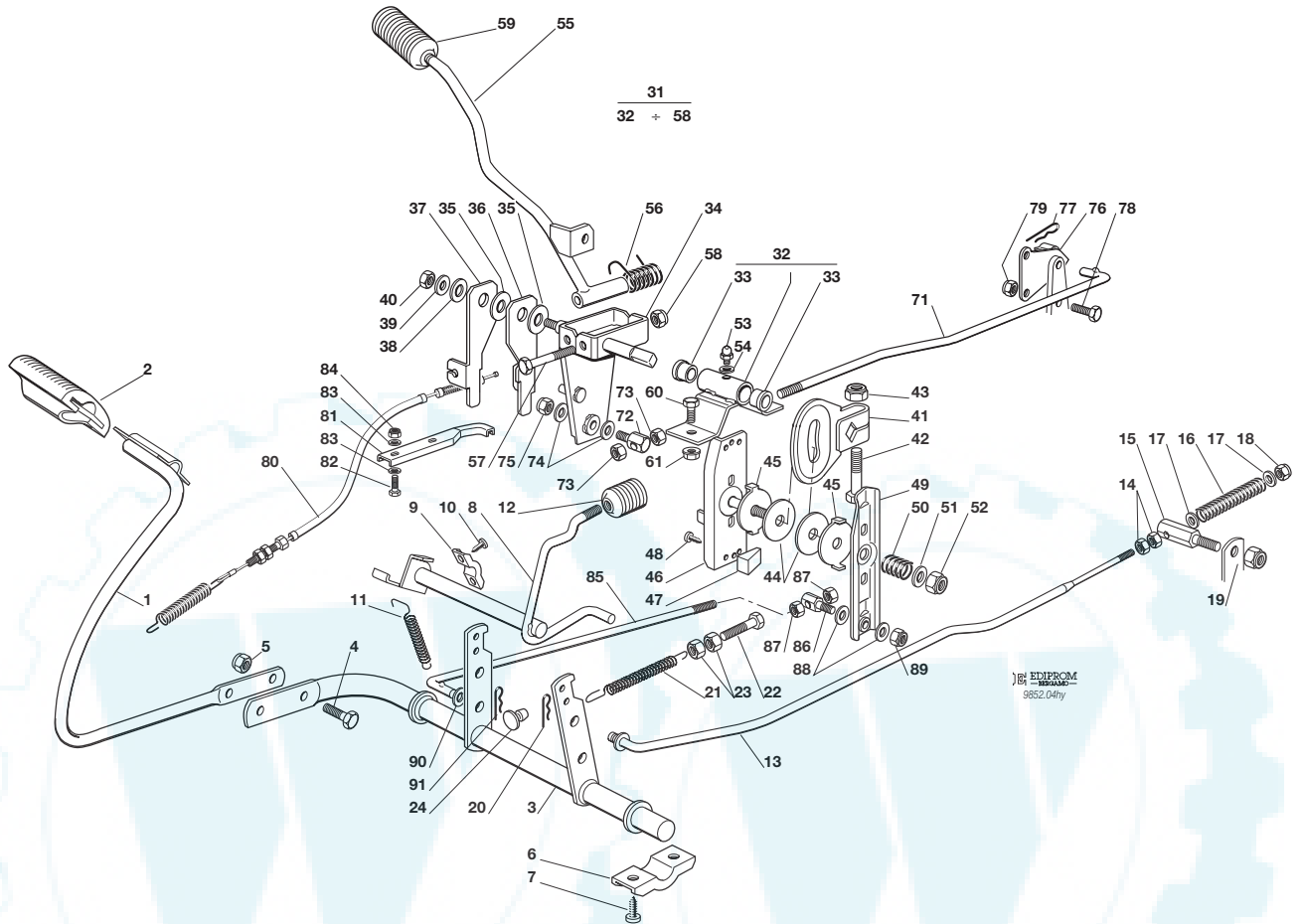
N.	CODE	Q.TY	DESCRIZIONE	DESCRIPTION	DESCRIPTION	BESCHREIBUNG
1	99900090/0	1	ASS. KIT PROTEZIONE USCITA	EJECTION-GUARD ASS.Y	KIT PROTECTION SORTIE	VORRICHTUNG FÜR AUSWURESCHUTZ
2	84598062/0	1	PROTEZIONE USCITA	EJECTION GUARD	PROTECTION SORTIE	AUSWURFSCHUTZ
3	27869053/0	1	TUBO DI AGGANCIO	SUPPORT	SOPPORT	HALTER
4	18566113/0	2	PUNTALE	CAP	BOUCHON	PFROPFEN
5	12674701/0	2	VITE	SCREW	VIS	SCHRAUBE
6	12154510/0	2	DADO	NUT	ECROU	MUTTER
7	25547053/0	1	PIASTRINA	PLATE	PLAQUETTE	PLÄTTCHEN
8	12791500/0	1	VITE	SCREW	VIS	SCHRAUBE
9	12154510/0	1	DADO	NUT	ECROU	MUTTER
10	25547049/0	2	PIASTRINA	PLATE	PLAQUETTE	PLÄTTCHEN
11	12789008/0	4	VITE	SCREW	VIS	SCHRAUBE
12	12523020/0	4	ROSETTA	WASHER	RONDELLE	SCHIBE
13	12154320/0	4	DADO	NUT	ECROU	MUTTER
14	25510022/0	2	PERNO	PIN	PIVOT	BOLZEN
15	24487998/0	2	COPPIGLIA	COTTER PIN	GOUPILLE	SPLIT
21	99900030/4	1	ASS. KIT PESO ANT.	FRONT WEIGHT KIT	KIT POIDS ANTERIEUR	VORDERGEWICHT VORRICHTUNG
22	25519999/4	1	PESO	WEIGHT	POIDS	GEWICHT
23	12760520/0	3	VITE	SCREW	VIS	SCHRAUBE
24	12155000/0	3	DADO	NUT	ECROU	MUTTER

F72
F72 hydro



COMANDO TRASMISSIONE E FRENO
DRIVE AND BRAKE CONTROLS
COMMANDE TRANSMISSION ET FREIN
GETRIEBE UND BREMSE ANTRIEB

1999
004Y.0
1 / 2



N.	CODE	Q.TY	DESCRIZIONE	DESCRIPTION	DESCRIPTION	BESCHREIBUNG
1	84503001/0	1	PEDALE	PEDAL	PEDAL	PEDAL
2	25110267/0	1	COPRISTAFFA	CLAMP COVER	COUVRE ETRIER	BRIDEDECKEL
3	84001015/0	1	ASSE FRENO	AXLE	AXE	ACHSE
4	12793301/0	2	VITE	SCREW	VIS	SCHRAUBE
5	12155000/0	2	DADO	NUT	ECROU	MUTTER
6	27546015/0	2	PIASTRINA	PLATE	PLAQUE	PLATTE
7	12731350/0	4	VITE	SCREW	VIS	SCHRAUBE
8	84001011/1	1	ASSE FRENO STAZIONA	MAXLE AXE	ACHSE	ACHSE
9	25547049/0	2	PIASTRINA	PLATE	PLAQUE	PLATTE
10	12731601/0	4	VITE	SCREW	VIS	SCHRAUBE
11	27430552/0	1	MOLLA	SPRING	RESSORT	FEDER
12	27395050/0	1	MANOPOLA	KNOB	POIGNEE	KNOPF
13	27034055/1	1	ASTA	ROD	BARRE	STANGE
14	12292100/0	2	DADO	NUT	ECROU	MUTTER
15	27510099/0	1	PERNO	PIN	PIVOT	BOLZEN
16	25430212/1	1	MOLLA	SPRING	RESSORT	FEDER
17	12521330/0	2	ROSETTA	WASHER	RONDELLE	SCHIBE
18	12154510/0	1	DADO	NUT	ECROU	MUTTER
19	12155000/0	1	DADO	NUT	ECROU	MUTTER
20	24487997/0	1	COPPIGLIA	COTTER PIN	GOUPILLE	SPLIT
21	25430220/0	1	MOLLA	SPRING	RESSORT	FEDER
22	22943005/0	1	VITE	SCREW	VIS	SCHRAUBE
23	12293200/0	2	DADO	NUT	ECROU	MUTTER
24	27275000/0	1	GOMMINO	GROMMET	CAOUTCHOU	GUMMI
31	84066000/0	1	ASSIEME FRIZIONE (32÷58)	CLUTCH ASS.Y (32÷58)	EMBRAYAGE COMPLETE (32÷58)	REIBUNGS EINRICHTUNG, KOMPLETT (32÷58)
32	84773568/0	1	STAFFA CON BUSSOLE	BRACKET WITH BUSSH	INGSETRIER AVEC DOUILLES	BRIDE MIT LAGERN
33	27045080/0	2	BUSSOLA	BUSHING	DOUILLE	LAGER
34	84773561/0	1	LEVA	LEVER	LEVIER	HEBEL



← F72 • F72 hydro

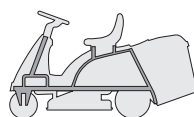
1999

004Y.0

2 / 2

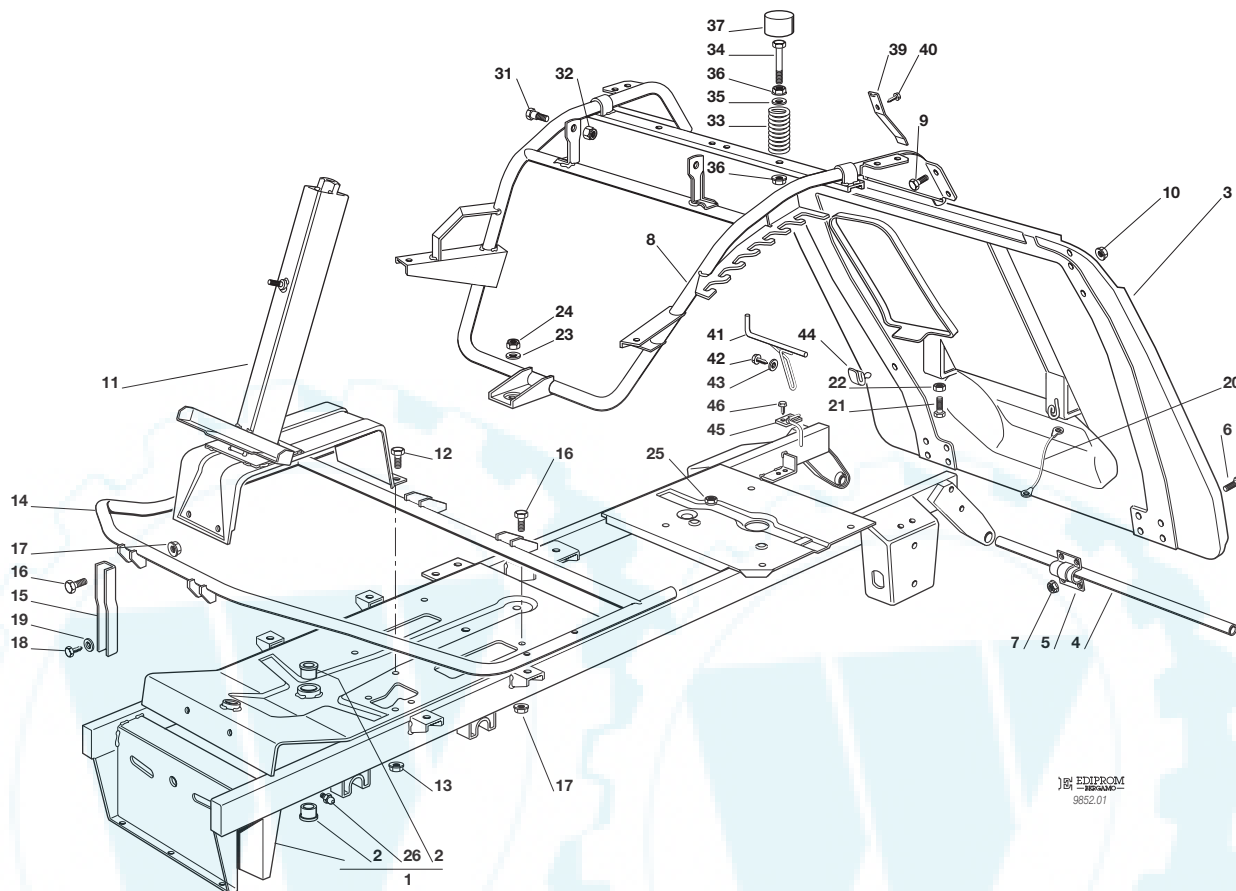
N.	CODE	Q.TY	DESCRIZIONE	DESCRIPTION	DESCRIPTION	BESCHREIBUNG
35	22672151/0	1	RONDELLA	WASHER	RONDELLE	SCHEIBE
36	27772101/0	1	STAFFA	CLAMP	ETRIER	BRIDE
37	27772103/0	1	STAFFA	CLAMP	ETRIER	BRIDE
38	25670011/0	1	RONDELLA	WASHER	RONDELLE	SCHEIBE
39	12523060/0	2	RONDELLA	WASHER	RONDELLE	SCHEIBE
40	12155010/0	1	DADO	NUT	ECROU	MUTTER
41	27734055/0	1	SETTORE	SECTOR	SECTEUR	SEKTOR
42	12794300/0	1	VITE	SCREW	VIS	SCHRAUBE
43	12155020/0	1	DADO	NUT	ECROU	MUTTER
44	27158000/0	2	DISCO	PLATE	DISQUE	SCHEIBE
45	27670053/0	2	RONDELLA	WASHER	RONDELLE	SCHEIBE
46	84773565/0	1	STAFFA	CLAMP	ETRIER	BRIDE
47	27063020/0	2	CAMMA	CAM	CAME	NOCKEN
48	12735110/0	2	VITE	SCREW	VIS	SCHRAUBE
49	84773563/0	1	LEVA	LEVER	LEVIER	HEBEL
50	27430560/0	1	MOLLA	SPRING	RESSORT	FEDER
51	12523080/0	1	RONDELLA	WASHER	RONDELLE	SCHEIBE
52	12155010/0	1	DADO	NUT	ECROU	MUTTER
53	12379511/0	1	INGRASSATORE	GREASE DISPENSER	GRAISSEUR	FETTBÜCHSE
54	12521330/0	1	RONDELLA	WASHER	RONDELLE	SCHEIBE
55	84317051/1	1	LEVA	GEARSHIFT	LEVIER	HEBEL
56	25430226/0	1	MOLLA	SPRING	RESSORT	FEDER
57	12692050/0	1	VITE	SCREW	VIS	SCHRAUBE
58	12155000/0	1	DADO	NUT	ECROU	MUTTER
59	25394503/1	1	MANOPOLA	KNOB	POIGNEE	WECHSEL
60	12793301/0	1	VITE	SCREW	VIS	SCHRAUBE
61	12293201/0	1	DADO	NUT	ECROU	MUTTER
71	27034057/0	1	ASTA	ROD	BARRE	STANGE
72	25510040/1	1	PERNO	PIN	PIVOT	BOLZEN
73	12293200/0	2	DADO	NUT	ECROU	MUTTER
74	22680007/0	2	RONDELLA	WASHER	RONDELLE	SCHEIBE
75	12155010/0	1	DADO	NUT	ECROU	MUTTER
76	84773567/0	1	STAFFA	CLAMP	ETRIER	BRIDE
77	24487998/0	1	COPPIGLIA	COTTER PIN	GOUPILLE	SPLIT
78	12791400/0	1	VITE	SCREW	VIS	SCHRAUBE
79	12154510/0	1	DADO	NUT	ECROU	MUTTER
80	84207101/0	1	FIL	WIRE	FIL	KABEL
81	27772105/0	1	STAFFA	CLAMP	ETRIER	BRIDE
82	12791400/0	2	VITE	SCREW	VIS	SCHRAUBE
83	12521330/0	4	RONDELLA	WASHER	RONDELLE	SCHEIBE
84	12154510/0	2	DADO	NUT	ECROU	MUTTER
85	27034058/0	1	ASTA	ROD	BARRE	STANGE
86	25510040/1	1	PERNO	PIN	PIVOT	BOLZEN
87	12293200/0	2	DADO	NUT	ECROU	MUTTER
88	25670011/0	2	RONDELLA	WASHER	RONDELLE	SCHEIBE
89	12155010/0	1	DADO	NUT	ECROU	MUTTER
90	12521350/0	1	RONDELLA	WASHER	RONDELLE	SCHEIBE
91	24487998/0	1	COPPIGLIA	COTTER PIN	GOUPILLE	SPLIT

F72
F72 hydro



TELAIO
CHASSIS
CHASSIS
RAHMENSATZ

1999
001.0
1 / 2



EDIPROM
9852.01

N.	CODE	Q.TY	DESCRIZIONE	DESCRIPTION	DESCRIPTION	BESCHREIBUNG
1	84801113/0	1	TELAIO	CHASSIS	CHASSIS	RAHMENSATZ
2	25034002/1	2	BOCCOLA	BUSH	DOUILLE	BÜCHSE
3	84545051/3	1	PIASTRA	PLATE	PLAQUE	PLATTE
4	27037000/0	1	PERNO	PIN	PIVOT	BOLZEN
5	25547012/1	2	PIASTRA	PLATE	PLAQUE	PLATTE
6	12791200/0	8	VITE	SCREW	VIS	SCHRAUBE
7	12792102/0	8	DADO	NUT	ECROU	MUTTER
8	84801111/0	1	TELAIO SEDILE	CHASSIS	CHASSIS	RAHMENSATZ
9	12792611/0	4	VITE	SCREW	VIS	SCHRAUBE
10	12293201/0	4	DADO	NUT	ECROU	MUTTER
11	84783009/0	1	SUPPORTO PIANTONE	SUPPORT	SUPPORT	HALTER
12	12792611/0	4	VITE	SCREW	VIS	SCHRAUBE
13	12293201/0	4	DADO	NUT	ECROU	MUTTER
14	84801107/2	1	SUPPORTO PEDANE	FOTTBOARD SUPPORT	SUPPORT MARCHEPIED	FUSSBRETTALTER
15	27787025/0	2	SUPPORT	SUPPORT	SUPPORT	HALTER
16	12792611/0	4	VITE	SCREW	VIS	SCHRAUBE
17	12293201/0	4	DADO	NUT	ECROU	MUTTER
18	12734995/0	2	VITE	SCREW	VIS	SCHRAUBE
19	12521331/0	2	RONDELLA	WASHER	RONDELLE	SCHEIBE
20	84040300/0	1	CAVO AGGANCI	CORD	CORDE	SEIL
21	12793701/0	2	VITE	SCREW	VIS	SCHRAUBE
22	12293200/0	2	DADO	NUT	ECROU	MUTTER
23	12523060/0	1	RONDELLA	WASHER	RONDELLE	SCHEIBE
24	12155000/0	1	DADO	NUT	ECROU	MUTTER
25	12500090/0	1	DADO	NUT	ECROU	MUTTER
26	12379511/0	2	INGRASSATORE	GREASE DISPENSER	GRAISSEUR	FETTBUCHSE
31	22524970/1	2	PERNO	PIN	PIVOT	BOLZEN
32	12155010/0	2	DADO	NUT	ECROU	MUTTER
33	25430205/0	2	MOLLA	SPRING	RESSORT	FEDER
34	25943001/0	2	VITE	SCREW	VIS	SCHRAUBE
35	12521350/0	2	RONDELLA	WASHER	RONDELLE	SCHEIBE



←	F72 • F72 hydro	1999	001.0	2 / 2
---	------------------------	------	--------------	-------

N.	CODE	Q.TY	DESCRIZIONE	DESCRIPTION	DESCRIPTION	BESCHREIBUNG
36	12293201/0	4	DADO	NUT	ECROU	MÜTTER
37	25122000/0	2	CUFFIA	HOOD	PROTECTEUR	SCHUTZKASTEN
39	27430554/0	1	MOLLA	SPRING	RESSORT	FEDER
40	12728440/0	1	VITE	SCREW	VIS	SCHRAUBE
41	27294001/0	1	GUIDA	GUIDE	GUIDE	FÜHRUNG
42	12735120/0	1	VITE	SCREW	VIS	SCHRAUBE
43	12523040/0	1	RONDELLA	WASHER	RONDELLE	SCHLEIBE
44	33220506/0	1	FERMACAVO	FAIRLED	FIXATION CABLE	KABELBEFESTIGUNG
45	27294002/0	1	GUIDACINGHIA	BELT GUIDE	GUIDE DE CURROIRE	RIEMENFÜHRUNG
46	12735110/0	2	VITE	SCREW	VIS	SCHRAUBE

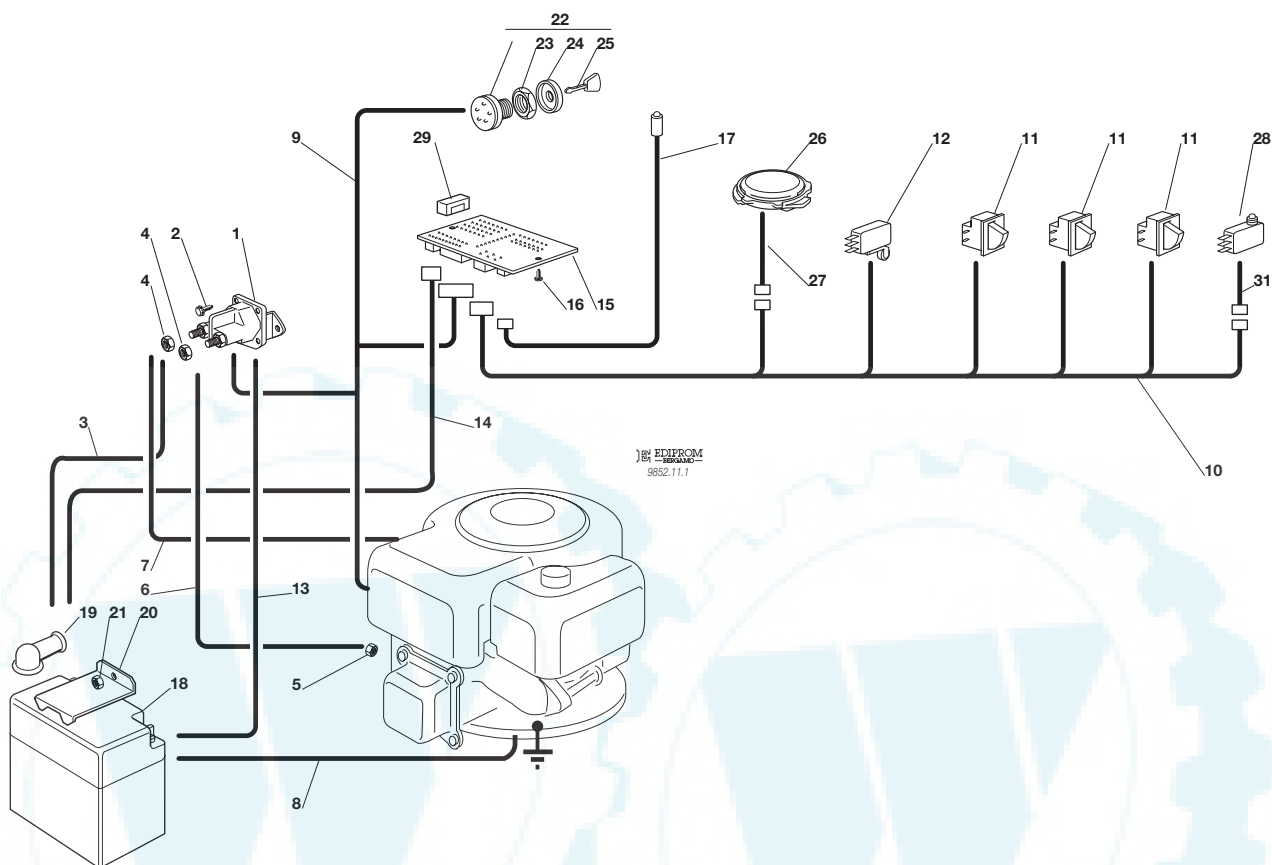


F72
F72 hydro



PARTI ELETTRICHE
ELECTRICAL PARTS
PARTIES ELECTRIQUES
ELETRISCHETEILE

1999
011Y.0
1 / 1



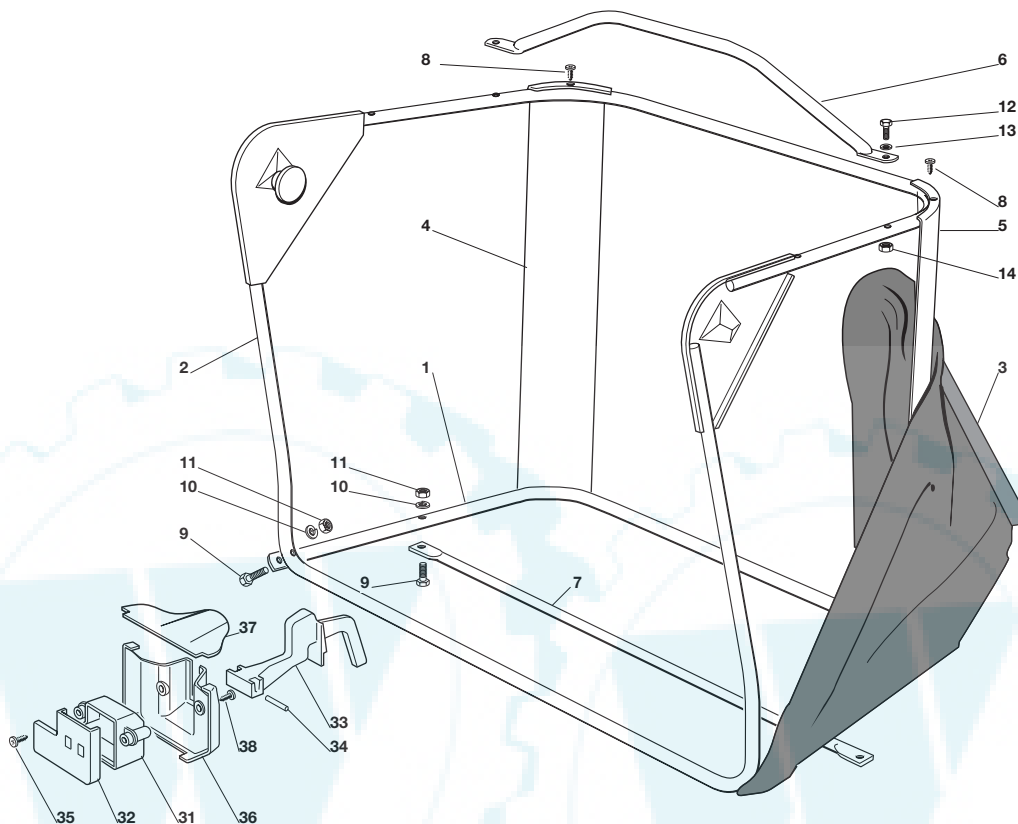
N.	CODE	Q.TY	DESCRIZIONE	DESCRIPTION	DESCRIPTION	BESCHREIBUNG
1	18736110/0	1	SOLENOIDE	SOLENOID	SOLENOIDE	SOLENOID
2	12735110/0	2	VITE	SCREW	VIS	SCHRAUBE
3	27065050/0	1	CAVO BATT. SOLENOIDE	CABLE	CABLES	KABEL
4	12360352/0	2	DADO	NUT	ECROU	MUTTER
5	12361005/0	1	DADO	NUT	ECROU	MUTTER
6	25065001/0	1	CABLAGGIO SOLEN. AVV.	CABLES ASS.Y	ENS. CABLAGES	KABELSATZ
7	27065051/0	1	CAVO RICARICA	CABLE	CABLES	KABEL
8	25065004/0	1	CAVO MASSA BATTERIA	CABLE	CABLES	KABEL
9	84040100/0	1	CABLAGGIO AVV.	CABLES ASS.Y	ENS. CABLAGES	KABELSATZ
10	84040106/0	1	CABLAGGIO MICRO	CABLES ASS.Y	ENS. CABLAGES	KABELSATZ
11	19410606/0	3	MICRO INTERRUOTORE	MICRO	MICRO	MIKRO
12	19410609/0	1	MICROINTERRUTTORE	MICRO	MICRO	MIKRO
13	25065018/0	1	CAVO MASSA SOLENOIDE	CABLE	CABLES	KABEL
14	27065057/0	1	CAVO ALIM. SCHEDA	CABLE	CABLES	KABEL
15	25722411/0	1	SCHEDA ELETTRONICA	ELECTRONIC CARD	CARTE ELECTRONIQUE	ELEKTRONISCHE KARTE
16	12727810/0	2	VITE	SCREW	VIS	SCHRAUBE
17	25065014/1	1	CAVO LED SEGNALEZIONE	CABLE	CABLES	KABEL
18	18120002/1	1	BATTERIA	BATTERY	BATTERIE	BATTERIE
19	18564862/0	1	CAPPUCCIO	PROTECTION	CAPUCHON	STECKER
20	27772099/0	1	STAFFA	CLAMP	ETRIER	BRIDE
21	12155000/0	1	DADO	NUT	ECROU	MUTTER
22	18450065/1	1	INTERRUTTORE AVVIAMENTO	STARTING SWITCH	INTERRUPTEUR DEMARRAGE	SCHALTER
23	18400861/0	1	GHIERA	SCREWED RING	EMBOUT	NUTMUTTER
24	18565351/0	1	PROTEZIONE GHIERA	SCREWED RING PROTECTION	PROTECTION EMBOUT	NUTMUTTER SCHUTZ
25	18210016/0	1	CHIAVE AVVIAMENTO	STARTING KEY	CLEF A DEMARRAGE	SCHLÜSSEL FÜR START
26	19410607/0	1	MICRO SEDILE	MICRO	MICRO	MIKRO
27	25065020/0	1	CAVO MICRO SEDILE	CABLE	CABLES	KABEL
28	19410605/1	1	MICRO SACCO PIENO	FULL GRASSCATC. MICRO	MICRO BAC PLEIN	VOLLKORB VORRICHTUNG
29	33340033/0	1	FUSIBILE	FUSE	FUSIBLE	SICHERUNG
31	25065023/0	1	CAVO SUPPLEM.	CABLE	CABLES	KABEL

F72
F72 hydro



**SACCO
GRASSCATCHER
BAC
AUFFANGSACK**

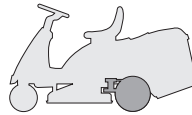
1999
010.0
1 / 1



EDIPROM
9652.10

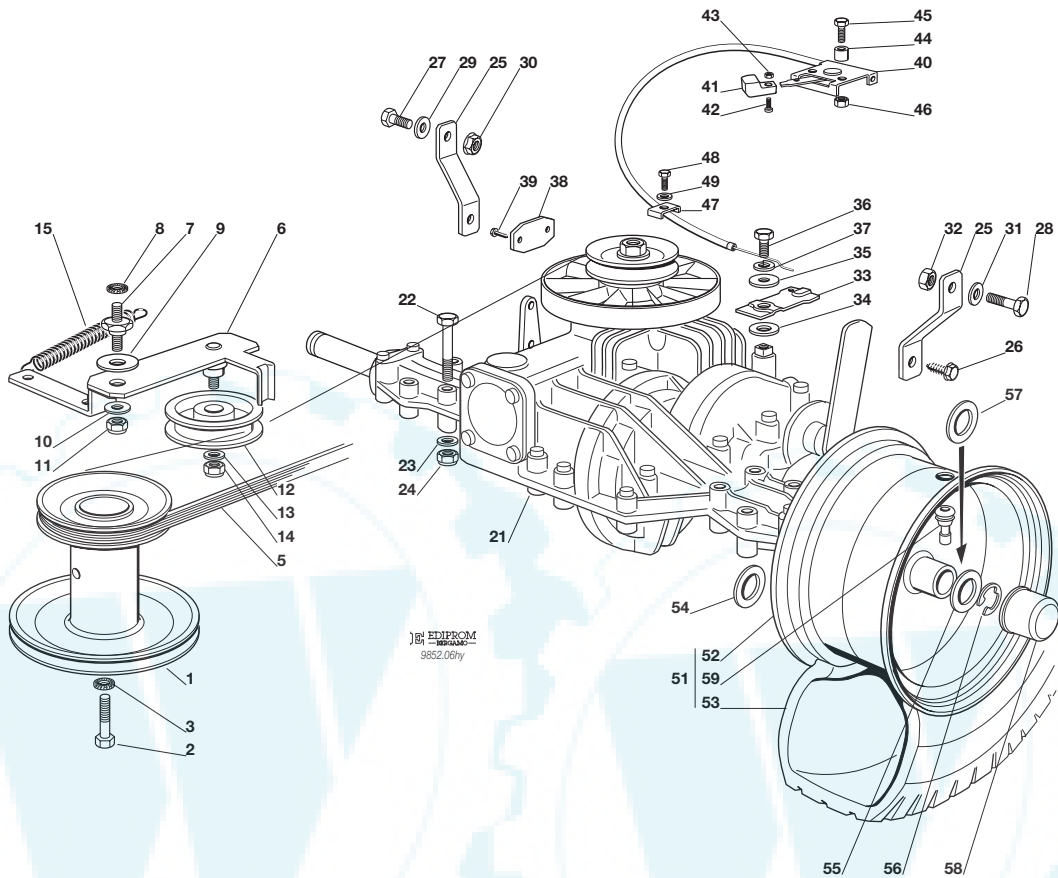
N.	CODE	Q.TY	DESCRIZIONE	DESCRIPTION	DESCRIPTION	BESCHREIBUNG
1	84801103/0	1	TELAIO INFERIORE	LOWER FRAME	CHASSIS INFERIEUR	UNTERERRAHMEN
2	84801105/0	1	TELAIO SUPERIORE	UPPER FRAME	CHASSIS SUPERIEUR	OBERERRAHMEN
3	84106050/0	1	CONFEZIONE SACCO	GRASSCATCHER	BAC	SACK
4	27010205/0	1	ANGOLARE DESTRO	RIGHT ANGULAR SUPPORT	SUPPORT ANGULAIRE	RECHTER HALTER
				DROITE		
5	27010207/0	1	ANGOLARE SINISTRO	LEFT ANGULAR SUPPORT	SUPPORT ANGULAIRE	LINKER HALTER
6	84869051/0	1	TUBO	ROD	TIGE	STANGE
7	84650100/0	1	RINFORZO	STIFFENING	RENFORCEMENT	VERSTAERKUNG
8	12729601/0	4	VITE	SCREW	VIS	SCHRAUBE
9	12792099/0	2	VITE	SCREW	VIS	SCHRAUBE
10	12582101/0	4	GROWER	GROWER	GROWER	GROWER
11	12292100/0	4	DADO	NUT	ECROU	MUTTER
12	12674701/0	2	VITE	SCREW	VIS	SCHRAUBE
13	12521331/0	2	RONDELLA	WASHER	RONDELLE	SCHEIBE
14	12154510/0	2	DADO	NUT	ECROU	MUTTER
31	25600041/0	1	PROTEZIONE MICRO	MICRO PROTECTION	PROTECTION MICRO	SCHUTZ
32	25600042/0	1	COPERCHIO PROTEZIONE	PROTECTION COVER	COUVERCLE PROTECTION	SCHUTZDEKEL
33	25318124/0	1	LEVA	LEVER	LEVIER	HEBEL
34	12400030/0	1	PERNO	PIN	PIVOT	BOLZEN
35	12728510/0	3	VITE	SCREW	VIS	SCHRAUBE
36	27600058/0	1	DEFLETTORE	DEFLECTOR	DEFLECTEUR	ABWEISER
37	27109500/0	1	CHIUSURA DEFLETTORE	DEFLECTOR COVER	COUVERCLE DEFLECTEUR	ABWEISERDEKEL
38	12728510/0	4	VITE	SCREW	VIS	SCHRAUBE

F72
F72 hydro



TRASMISSIONE
TRANSMISSION
TRANSMISSION
GETRIEBE

1999
006Y.0
1 / 2



N.	CODE	Q.TY	DESCRIZIONE	DESCRIPTION	DESCRIPTION	BESCHREIBUNG
1	27604005/0	1	PULEGGIA	PULLEY	POULIE	RIEMENSCHIBE
2	12737310/0	1	VITE	SCREW	VIS	SCHRAUBE
3	12543000/0	1	ROSETTA	WASHER	RONDELLE	SCHIBE
5	35061405/0	1	CINGHIA	BELT	COURROIE	RIEMEN
6	84317067/0	1	LEVA	LEVER	LEVIER	HEBEL
7	27510096/0	1	PERNO	PIN	PIVOT	BOLZEN
8	12540260/0	1	RONDELLA	WASHER	RONDELLE	SCHIBE
9	22672151/0	1	RONDELLA	WASHER	RONDELLE	SCHIBE
10	25670011/0	1	RONDELLA	WASHER	RONDELLE	SCHIBE
11	12155010/0	1	DADO	NUT	ECROU	MUTTER
12	25601554/0	1	PULEGGIA	PULLEY	POULIE	RIEMENSCHIBE
13	12523060/0	1	RONDELLA	WASHER	RONDELLE	SCHIBE
14	12155000/0	2	DADO	NUT	ECROU	MUTTER
15	22446402/0	1	MOLLA	SPRING	RESSORT	FEDER
21★	18400930/0	1	ASSE POSTERIORE	REAR AXLE	AXE ARRIERE	HINTERACHSE
22	12691800/0	4	VITE	SCREW	VIS	SCHRAUBE
23	12521350/0	4	RONDELLA	WASHER	RONDELLE	SCHIBE
24	12155000/0	4	DADO	NUT	ECROU	MUTTER
25	27772067/0	2	STAFFA	CLAMP	ETRIER	BRIDE
26	12735150/0	2	VITE	SCREW	VIS	SCHRAUBE
27	12793102/0	1	VITE	SCREW	VIS	SCHRAUBE
28	12793301/0	1	VITE	SCREW	VIS	SCHRAUBE
29	12523060/0	1	RONDELLA	WASHER	RONDELLE	SCHIBE
30	12293201/0	1	DADO	NUT	ECROU	MUTTER
31	12521350/0	1	RONDELLA	WASHER	RONDELLE	SCHIBE
32	12155000/0	1	DADO	NUT	ECROU	MUTTER
33	27315089/0	1	LEVA	LEVER	LEVIER	HEBEL
34	12521370/0	1	RONDELLA	WASHER	RONDELLE	SCHIBE
35	12523050/0	1	RONDELLA	WASHER	RONDELLE	SCHIBE



← F72 • F72 hydro

1999

006Y.0

2 / 2

N.	CODE	Q.TY	DESCRIZIONE	DESCRIPTION	DESCRIPTION	BESCHREIBUNG
36	12735520/0	1	VITE	SCREW	VIS	SCHRAUBE
37	12582100/0	1	GROWER	GROWER	GROWER	GROWER
38	27546019/0	1	PIATSRINA	PLATE	PLAQUETTE	PLATTE
39	12735140/0	2	VITE	SCREW	VIS	SCHRAUBE
40	81007092/0	1	COMANDO SBLOCCO	DISENGAGE CONTROL	COMMANDE DEBLOCAGE	ENTSPERREN HEBEL
41	22399801/0	1	MANOPOLINA	HANDLE	POIGNEE	GRIFF
42	12726288/0	1	VITE	SCREW	VIS	SCHRAUBE
43	12290800/0	1	DADO	NUT	ECROU	MUTTER
44	25160012/0	2	DISTANZIALE	SPACER	ENTRETOISE	ENTFERNUNGSSTÜCK
45	12674550/0	2	VITE	SCREW	VIS	SCHRAUBE
46	12154510/0	2	DADO	NUT	ECROU	MUTTER
47	27546023/0	1	PIASTRINA	PLATE	PLAQUETTE	PLATTE
48	12735110/0	1	VITE	SCREW	VIS	SCHRAUBE
49	12521320/0	1	RONDELLA	WASHER	RONDELLE	SCHIBE
51	84680050/0	1	RUOTA POSTERIORE	REAR WHEEL	ROUE ARRIERE	HINTERRAD
52	84044001/0	1	CERCHIO RUOTA	RIMM	BANDAGE ROUE	HINTERRAD FELGER
53	27590051/0	1	PNEUMATICO	SHOE	PNEU	REIFEN
54	12521410/0	2	RONDELLA	WASHER	RONDELLE	SCHIBE
55	25670005/1	2	RONDELLA	WASHER	RONDELLE	SCHIBE
56	12001010/0	2	ANELLO ELASTICO	SNAP RING	ANNEAU RESSORT	SPRENGRING
57	12520010/0	0-4	ROSETTA	WASHER	RONDELLE	SCHIBE
58	22110230/0	2	COPRIMOZZO	HUB COVER	COUVRE MOYEU	NABEDECKEL
59	25950000/0	2	VALVOLA	VALVE	SOUPAPE	VENTIL

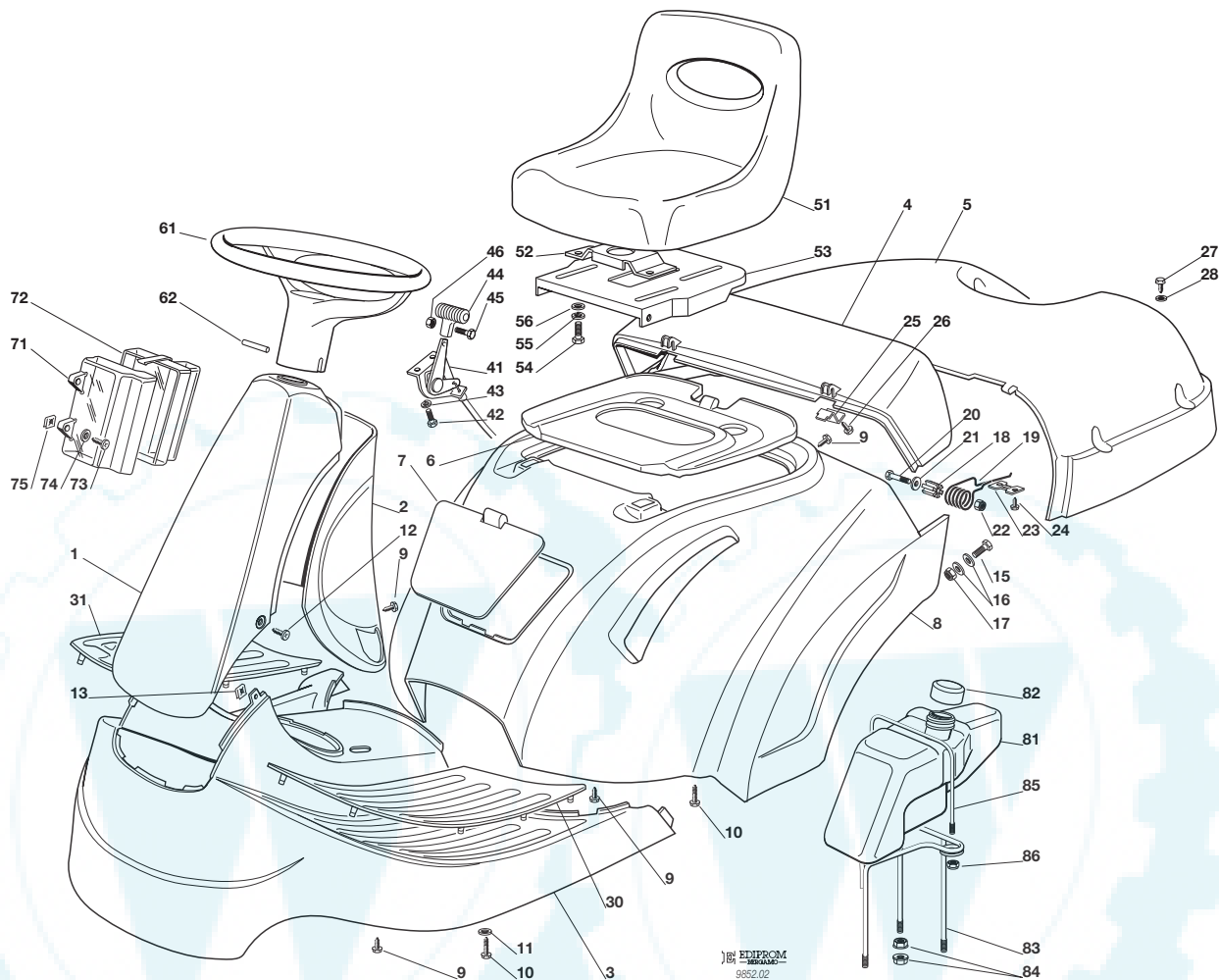
PER LA SOSTITUZIONE DELLE PARTI CONTRASSEGNALE CON «*» RIVOLGERSI AL SERVIZIO ASSISTENZA DEL COSTRUTTORE (TECUMSEH).
 TO REPLACE THE PARTS MARKED «*» SEEK ASSISTANCE FROM MANUFACTURER'S AFTER SALES SERVICE (TECUMSEH).
 POUR LE REMPLACEMENT DES PIÈCES MARQUÉES AVEC «*» S'ADRESSER AU SERVICE APRÈS VENTES DU CONSTRUCTEUR (TECUMSEH).
 ZUM AUSTAUSCH DER MIT «*» GEKENNZEICHNETEN TEILE, WENDEN SIE SICH AN DEN KUNDENDIENST DES HERSTELLERS (TECUMSEH).

F72
F72 hydro




CORROZZERIA
BODY
CARROSSERIE
KARROSSERIE

1999
002.0
1 / 2



N.	CODE	Q.TY	DESCRIZIONE	DESCRIPTION	DESCRIPTION	BESCHREIBUNG
1	84598064/0	1	PROTEZIONE ANTERIORE ROSSO	FRONT COVER RED	COUVERCLE AVANT ROUGE	VORDERDECKEL ROT
	84598065/0		VERDE	GREEN	VERT	GRÜN
	84598066/0		GIALLO	YELLOW	JAUNE	GELB
	84598067/0		BLU	BLUE	BLEU	BLAU
2	27600091/0	1	PROTEZIONE POSTERIORE ROSSO	REAR COVER RED	COUVERCLEARRIER ROUGE	HINTERDECKEL ROT
	27600092/0		VERDE	GREEN	VERT	GRÜN
	27600093/0		GIALLO	YELLOW	JAUNE	GELB
	27600094/0		BLU	BLUE	BLEU	BLAU
3	27110300/2	1	COPERTURA PEDANA ROSSO	FOOTBOARD COVER RED	COUVRE MARCHEPIED ROUGE	FUSSBRETTDECKEL ROT
	27110309/2		VERDE	GREEN	VERT	GRÜN
	27110310/2		GIALLO	YELLOW	JAUNE	GELB
	27110311/2		BLU	BLUE	BLEU	BLAU
4	27110302/0	1	COPERTURA SACCO FISSA ROSSO	GRASS-CATCHER COVER, FIXED RED	COUVRE-BAC FIXE ROUGE	FESTER SACKKAPPE ROT
	27110317/0		VERDE	GREEN	VERT	GRÜN
	27110318/0		GIALLO	YELLOW	JAUNE	GELB
	27110319/0		BLU	BLUE	BLEU	BLAU
5	27110303/0	1	COPERTURA SACCO MOBILE ROSSO	GRASS-CATCHER COVER, MOBILE RED	COUVRE-BAC MOBILE ROUGE	BEWEGLICHER SACKKAPPE ROT
	27110321/0		VERDE	GREEN	VERT	GRÜN
	27110322/0		GIALLO	YELLOW	JAUNE	GELB
	27110323/0		BLU	BLUE	BLEU	BLAU
6	27110306/0	1	COPERTURA MOTORE	ENGINE COVER	COUVRE MOTEUR	MOTORKAPPE



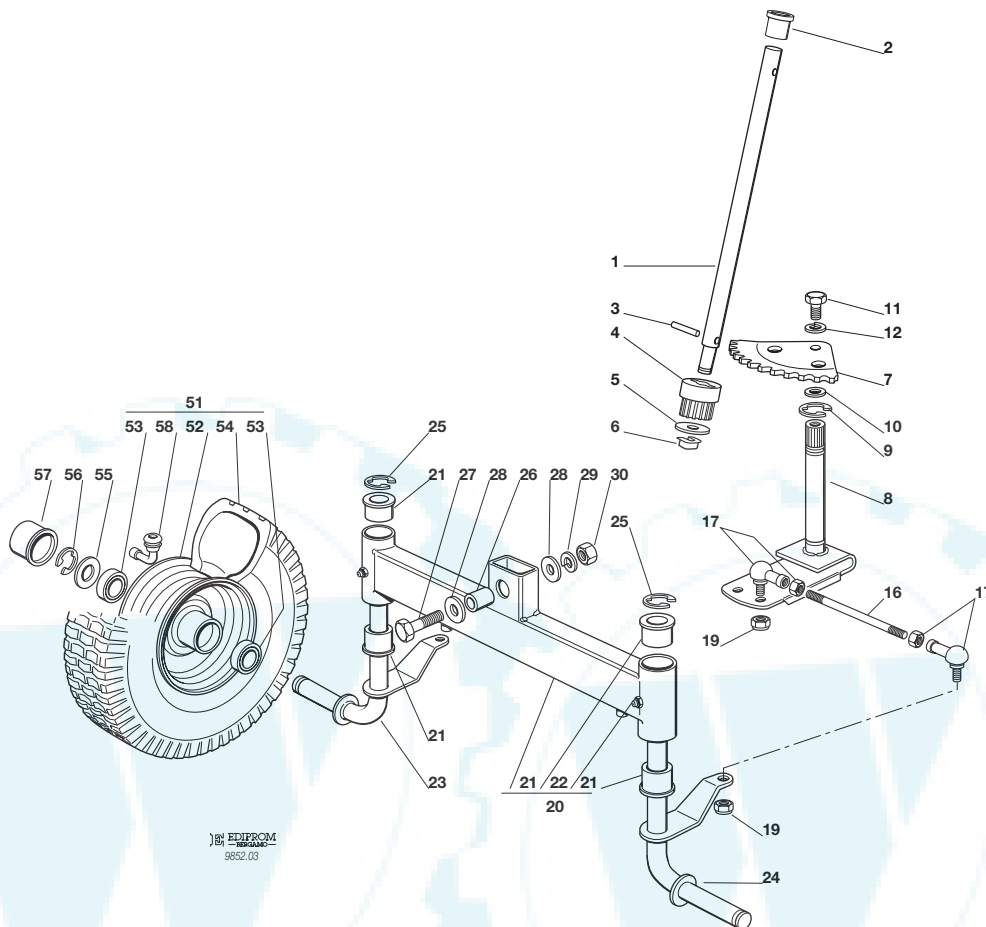
N.	CODE	Q.TY	DESCRIZIONE	DESCRIPTION	DESCRIPTION	BESCHREIBUNG
7		1	COPERCHIO ANTERIORE	FRONT COVER	COUVERCLE AVANT	DECKEL
	27109501/0		ROSSO	RED	ROUGE	ROT
	27109505/0		VERDE	GREEN	VERT	GRÜN
	27109506/0		GIALLO	YELLOW	JAUNE	GELB
	27109507/0		BLU	BLUE	BLEU	BLAU
8		1	COPERTURA RUOTE	WHEELS COVER	COUVRE ROUES	RADENKAPPE
	84110100/0		ROSSO	RED	ROUGE	ROT
	84110102/0		VERDE	GREEN	VERT	GRÜN
	84110103/0		GIALLO	YELLOW	JAUNE	GELB
	84110104/0		BLU	BLUE	BLEU	BLAU
8		1	COPERTURA RUOTE (hydro)	WHEELS COVER (hydro)	COUVRE ROUES (hydro)	RADENKAPPE (hydro)
	84110107/0		ROSSO	RED	ROUGE	ROT
	84110109/0		VERDE	GREEN	VERT	GRÜN
	84110110/0		GIALLO	YELLOW	JAUNE	GELB
	84110111/0		BLU	BLUE	BLEU	BLAU
9		10	VITE	SCREW	VIS	SCHRAUBE
10		8	VITE	SCREW	VIS	SCHRAUBE
11		2	RONDELLA	WASHER	RONDELLE	SCHIBE
12		2	VITE	SCREW	VIS	SCHRAUBE
13		2	PIASTRINA	PLATE	PLAQUE	PLATTE
15		2	VITE	SCREW	VIS	SCHRAUBE
16		2	RONDELLA	WASHER	RONDELLE	SCHIBE
17		2	DADO	NUT	ECROU	MUTTER
18		2	BUSSOLA	BUSH	DOUILLE	BUCHSE
19		2	MOLLA	SPRING	RESSORT	FEDER
20		2	VITE	SCREW	VIS	SCHRAUBE
21		2	RONDELLA	WASHER	RONDELLE	SCHIBE
22		2	DADO	NUT	ECROU	MUTTER
23		2	PIASTRINA	PLATE	PLAQUE	PLATTE
24		4	VITE	SCREW	VIS	SCHRAUBE
25		2	PIASTRINA	PLATE	PLAQUE	PLATTE
26		2	VITE	SCREW	VIS	SCHRAUBE
27		4	VITE	SCREW	VIS	SCHRAUBE
28		4	RONDELLA	WASHER	RONDELLE	SCHIBE
29		1	COPRIPEDANA DESTRA	RIGHT FOOTBOARD COVER	COUVRE MARCHEPIED DRO.	RECHTE FUSSBRETTDECKEL
30		1	COPRIPEDANA SINISTRA	LEFT FOOTBOARD COVER	COUVRE MARCHEPIED GAU.	LINKE FUSSBRETTDECKEL
41		1	ACCELERATORE	ACCELERATOR	ACCELERATEUR	GAS ZUG
42		2	VITE	SCREW	VIS	SCHRAUBE
43		2	GROWER	GROWER	GROWER	GROWER
44		1	MANOPOLINA	HANDLE	POIGNE	GRIF
45		1	VITE	SCREW	VIS	SCHRAUBE
46		1	DADO	NUT	ECROU	MUTTER
51		1	SEDILE	SEAT	SIEGE	SITZ
52		1	SUPPORTO	SUPPORT	SUPPORT	HALTER
53		1	PIASTRA	PLATE	PLAQUE	PLATTE
54		4	VITE	SCREW	VIS	SCHRAUBE
55		4	GROWER	GROWER	GROWER	GROWER
56		4	RONDELLA	WASHER	RONDELLE	SCHIBE
61		1	VOLANTE	STEERING WHEEL	VOLANT	LENKRAD
62		1	SPINA	PIN	GOUPILLE	STIFT
71		1	PROTEZIONE SUPERIORE	UPPER GUARD	PROTECTION SUPERIEUR	OBERSCHUTZ
72		1	PROTEZIONE INFERIORE	LOWER GUARD	PROTECTION INFERIEUR	UNTERSCHUTZ
73		2	VITE	SCREW	VIS	SCHRAUBE
74		2	ROSETTA	WASHER	RONDELLE	SCHIBE
75		2	PIASTRINA	PLATE	PLAQUE	PLATTE
81		1	SERBATOIO	TANK	RESERVOIR	TANK
82		1	TAPPO	CAP	BOUCHON	TANKVERSCHLUSS
83		1	SUPPORTO	SUPPORT	SUPPORT	HALTER
84		6	DADO	NUT	ECROU	MUTTER
85		1	ASTA	ROD	TIGE	STAB
86		2	DADO	NUT	ECROU	MUTTER

F72
F72 hydro



STERZO
STEERING
BARRE DE DIRECTION
LENKGETRIEBE

1999
003.0
1 / 2



N.	CODE	Q.TY	DESCRIZIONE	DESCRIPTION	DESCRIPTION	BESCHREIBUNG
1	27520050/0	1	PIANTONE	STEERING COLUMN	TUBE DE DIRECTION	LENKUNGSAEULE
2	25038003/0	1	BOCCOLA	BUSH	DOUILLE	BÜCHSE
3	12622650/0	1	SPINA	PIN	GOUILLE	STIFT
4	27570050/0	1	PIGNONE	PINION	PIGNON	RITZEL
5	12521370/0	1	RONDELLA	WASHER	RONDELLE	SCHEIBE
6	12436030/0	1	PIASTRINA	PLATE	PLAQUETTE	PLATTECHEN
7	84735551/0	1	SETTORE	STEERING SHAFT	ARBRE DIRECTION	LENKUNGSWELLE
8	84000501/0	1	ALBERO STERZO	SHAFT	ARBRE	WELLE
9	12001000/0	2	ANELLO ELASTICO	SNAP RING	ANNEAU RESSORT	SPRENGRING
10	12520031/0	1	RONDELLA	WASHER	RONDELLE	SCHEIBE
11	12793102/0	1	VITE	SCREW	VIS	SCHRAUBE
12	12583501/0	1	GROWER	GROWER	GROWER	GROWER
16	27840050/0	2	TIRANTE COLLEG. FUSELLI	TIE ROD	TIRANT	SPANNSTANGE
17	22746600/0	4	SNODO	JOINT	JOINT	GELENK
19	12156602/0	4	DADO	NUT	ECROU	MUTTER
20	84034053/0	1	BILANCIERE COMPLETO DI BOCCOLA ED INGRASSATORE	EQUALIZER WITH BUSH AND LUBRICATOR	BALANCIER AVEC DOULIE ET GRAISSEUR	KIPPHEBEL MIT BÜCHSE UND FETTBUCHSE
21	25034002/1	4	BOCCOLA	BUSH	DOUILLE	BÜCHSE
22	12379511/0	2	INGRASSATORE	GREASE DISPENSER	GRAISSEUR	FETTBUCHSE
23	84230401/0	1	FUSELLO DESTRO	RIGHT STUB AXLE	FUSEAU DROITE	RECHTER ACHSSCHENKEL
24	84230403/0	1	FUSELLO SINISTRO	LEFT STUB AXLE	FUSEAU GAUCHE	LINKER ACHSSCHENKEL
25	12001000/0	2	ANELLO ELASTICO	SNAP RING	ANNEAU RESSORT	SPRENGRING
26	25160016/0	1	DISTANZIALE	SPACER	ENTRETOISE	ENTFERNUNGSSTÜCK
27	12692695/0	1	VITE	SCREW	VIS	SCHRAUBE
28	12523100/0	1	RONDELLA	WASHER	RONDELLE	SCHEIBE
29	12587100/0	1	GROWER	GROWER	GROWER	GROWER
30	12295300/0	1	DADO	NUT	ECROU	MUTTER
51	84680052/0	2	RUOTA ANTERIORE	FRONT WHEEL	ROUE AVANT	VORDERRAD



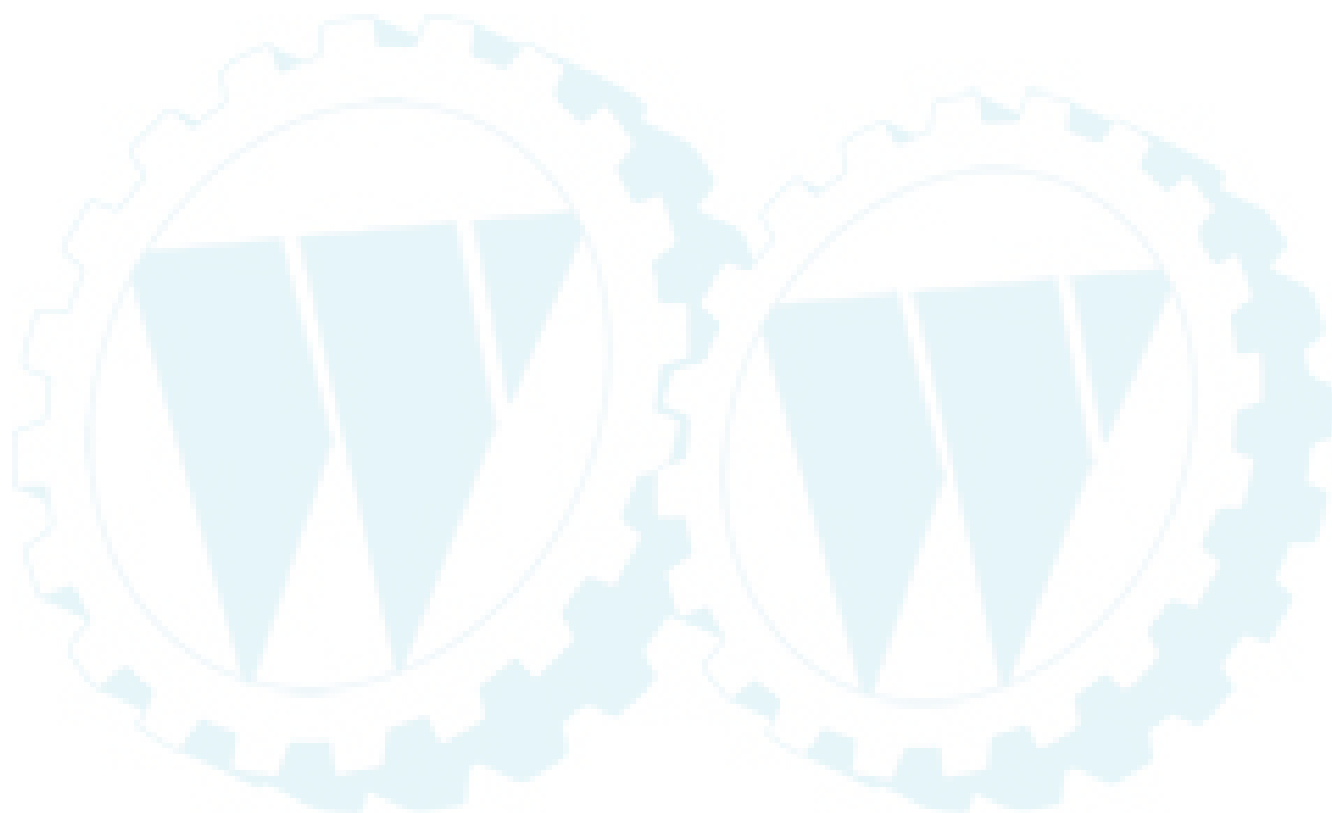
← F72 • F72 hydro

1999

003.0

2 / 2

N.	CODE	Q.TY	DESCRIZIONE	DESCRIPTION	DESCRIPTION	BESCHREIBUNG
52	84044000/0	1	CERCHIO RUOTA	RIMM	BANDAGE ROUE	VORDERRAD FELGER
53	25122200/1	2	CUSCINETTO	BEARING	ROULEMENT	LAGER
54	27590050/0	1	PNEUMATICO	SHOE	PNEU	REIFEN
55	25670005/1	2	RONDELLA	WASHER	RONDELLE	SCHEIBE
56	12001000/0	2	ANELLO ELASTICO	SNAP RING	ANNEAU RESSORT	SPRENGRING
57	22110230/0	2	COPRIMOZZO	HUB COVER	COUVRE MOYEU	NABEDECKEL
58	25950002/0	2	VALVOLA	VALVE	SOUPAPE	VENTIL

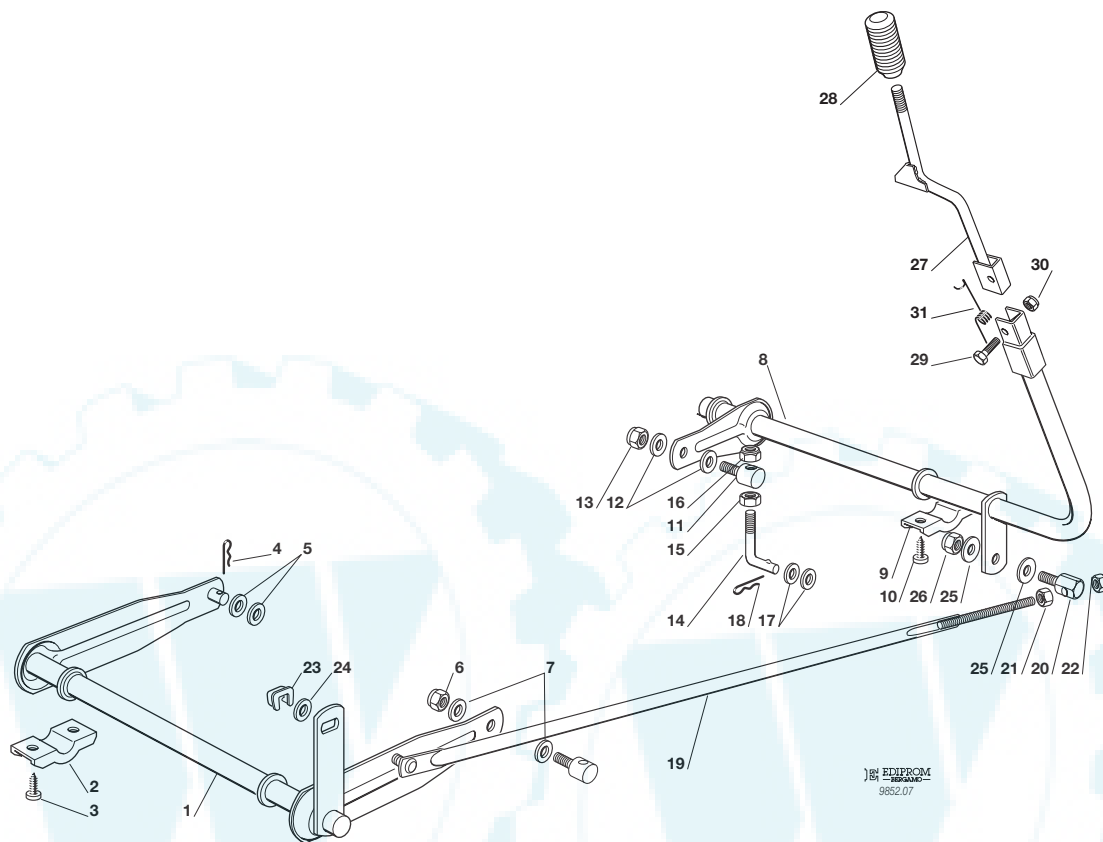


F72
F72 hydro



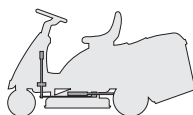
SOLLEVAMENTO PIATTO DI TAGLIO
CUTTING PLATE LIFTING
SOULEVEMENT PLATEAU DE COUPE
SCHNEIDWERKZEUG AUFHEBESATZ

1999
007.0
1 / 1



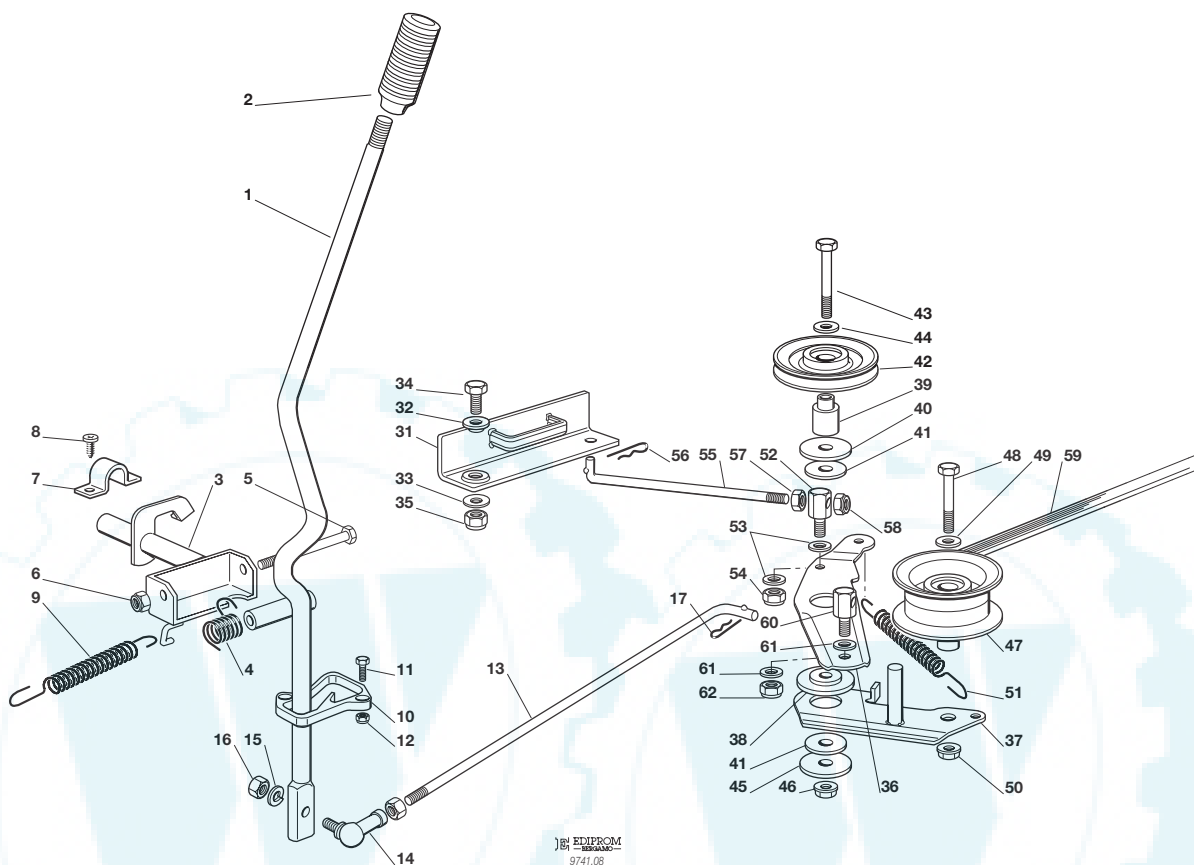
N.	CODE	Q.TY	DESCRIZIONE	DESCRIPTION	DESCRIPTION	BESCHREIBUNG
1	84001003/0	1	ASSE FULCRO PIATTO	AXLE	AXE	ACHSE
2	27546015/0	2	PIASTRINA	PLATE	PLAQUE	PLATTE
3	12731350/0	4	VITE	SCREW	VIS	SCHRAUBE
4	24487997/0	1	COPPIGLIA	COTTER PIN	GOUPILLE	SPLIT
5	25670008/0	2	RONDELLA	WASHER	RONDELLE	SCHEIBE
6	12156602/0	1	DADO	NUT	ECROU	MUTTER
7	25670008/0	2	RONDELLA	WASHER	RONDELLE	SCHEIBE
8	84001005/1	1	ASSE FULCRO PIATTO	AXLE	AXE	ACHSE
9	27546015/0	2	PIASTRINA	PLATE	PLAQUE	PLATTE
10	12731350/0	4	VITE	SCREW	VIS	SCHRAUBE
11	25510007/1	1	PERNO	PIN	PIVOT	BOLZEN
12	25670008/0	2	RONDELLA	WASHER	RONDELLE	SCHEIBE
13	12156602/0	1	DADO	NUT	ECROU	MUTTER
14	25840003/0	1	TIRANTE	TIE ROD	TIRANT	SPANNSTANGE
15	12295200/0	1	DADO	NUT	ECROU	MUTTER
16	12156602/0	1	DADO	NUT	ECROU	MUTTER
17	25670008/0	2	RONDELLA	WASHER	RONDELLE	SCHEIBE
18	24487997/0	1	COPPIGLIA	COTTER PIN	GOUPILLE	SPLIT
19	84002051/0	1	ASTA COLLEGAMENTO	ROD	TIGE	STAB
20	25510040/0	1	PERNO	PIN	PIVOT	BOLZEN
21	12293200/0	1	DADO	NUT	ECROU	MUTTER
22	12155000/0	1	DADO	NUT	ECROU	MUTTER
23	12436050/0	1	PIASTRINA	PLATE	PLAQUE	PLATTE
24	25670011/0	1	RONDELLA	WASHER	RONDELLE	SCHEIBE
25	25670011/0	2	RONDELLA	WASHER	RONDELLE	SCHEIBE
26	12155000/0	1	DADO	NUT	ECROU	MUTTER
27	84317065/0	1	LEVA SOLLEVAMENTO	LEVER	LEVIER	HEBEL
28	27395052/0	1	MANOPIA	KNOB	POIGNEE	GRIF
29	12674700/0	1	VITE	SCREW	VIS	SCHRAUBE
30	12154510/0	1	DADO	NUT	ECROU	MUTTER
31	27430555/0	1	MOLLA	SPRING	RESSORT	FEDER

F72
F72 hydro



PIATTO DI TAGLIO (1)
CUTTING PLATE (1)
PLATEAU DE COUPE (1)
SCHNEIDWERKZEUG (1)

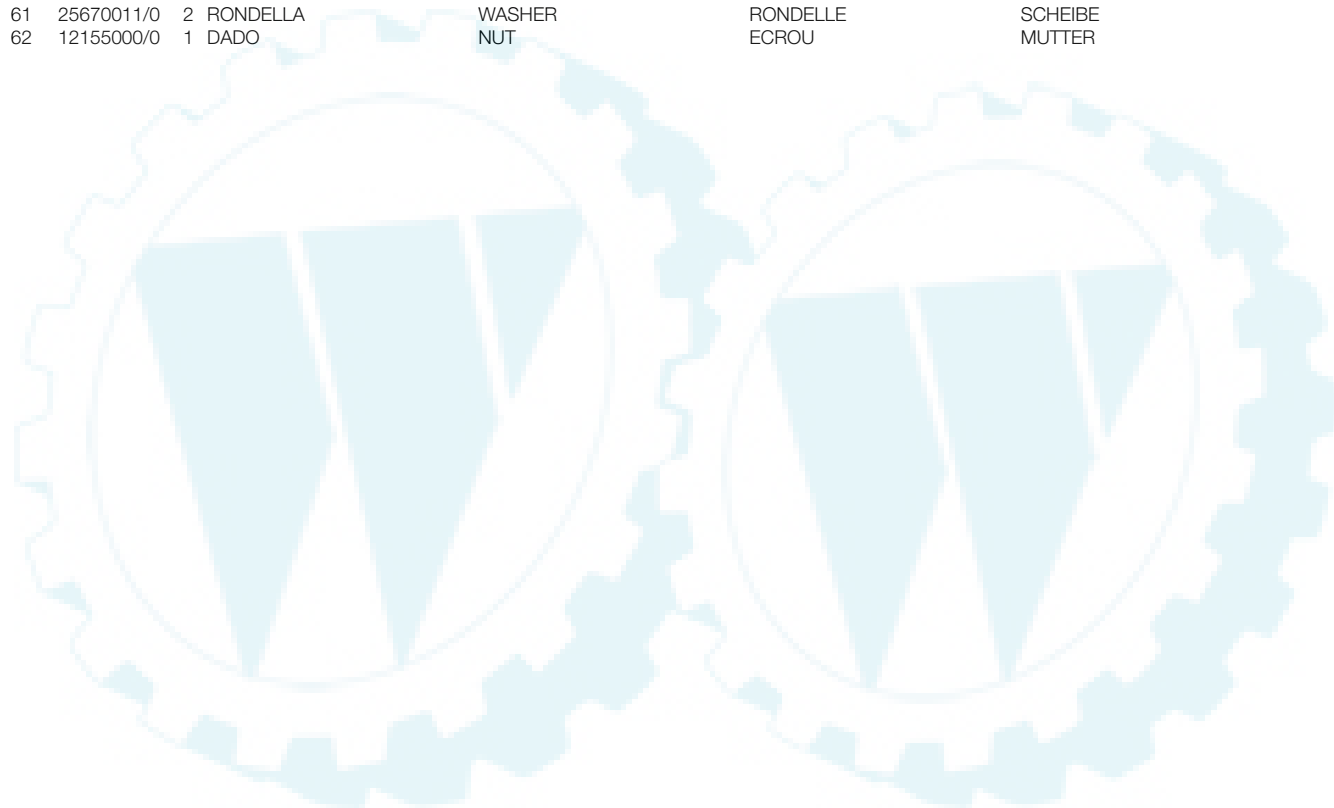
1999
008.0
1 / 2



N.	CODE	Q.TY	DESCRIZIONE	DESCRIPTION	DESCRIPTION	BESCHREIBUNG
1	84317059/0	1	LEVA	LEVER	LEVIER	HEBEL
2	27395051/0	1	MANOPOLA	KNOB	POIGNEE	GRIFF
3	84001007/0	1	ASSE INNESTO LAMA	AXLE	AXE	ACHSE
4	25430226/0	1	MOLLA	SPRING	RESSORT	FEDER
5	12692050/0	1	VITE	SCREW	VIS	SCHRAUBE
6	12155000/0	1	DADO	NUT	ECROU	MUTTER
7	25547049/0	2	PIASTRINA	PLATE	PLAQUE	PLATTE
8	12731601/0	4	VITE	SCREW	VIS	SCHRAUBE
9	25430220/0	1	MOLLA	SPRING	RESSORT	FEDER
10	27487000/0	1	PATTINO	SHOE	BLOC DE GLISSEMENT	GLEITBLOCK
11	12791200/0	2	VITE	SCREW	VIS	SCHRAUBE
12	12154510/0	2	DADO	NUT	ECROU	MUTTER
13	27034053/0	1	ASTA	ROD	TIGE	STAB
14	22746601/0	1	SNODO	JOINT	JOINT	GELENK
15	12583500/0	1	GROWER	GROWER	GROWER	GROWER
16	12293200/0	1	DADO	NUT	ECROU	MUTTER
17	24487997/0	1	COPPIGLIA	COTTER PIN	GOUPILLE	SPLIT
31	84220501/0	1	FRENO LAMA	BRAKE	FREIN	BREMSE
32	22041980/0	1	BUSSOLA	BUSH	DOUILLE	BÜCHSE
33	22672152/0	1	RONDELLA	WASHER	RONDELLE	SCHIBE
34	12793102/0	1	VITE	SCREW	VIS	SCHRAUBE
35	12155010/0	1	DADO	NUT	ECROU	MUTTER
36	27315059/0	1	LEVA	LEVER	LEVIER	HEBEL
37	84317061/0	1	LEVA	LEVER	LEVIER	HEBEL
38	27047000/0	1	BUSSOLA	BUSH	DOUILLE	BÜCHSE
39	27160051/0	1	DISTANZIALE	SPACER	ENTRETOISE	ENTFERNUNGSSTÜCK
40	12523070/0	1	RONDELLA	WASHER	RONDELLE	SCHIBE
41	22672152/0	2	RONDELLA	WASHER	RONDELLE	SCHIBE
42	81000772/1	1	PULEGGIA	PULLEY	POULIE	RIEMENSCHIBE



N.	CODE	Q.TY	DESCRIZIONE	DESCRIPTION	DESCRIPTION	BESCHREIBUNG
43	12692080/0	1	VITE	SCREW	VIS	SCHRAUBE
44	12523060/0	1	ROSETTA	WASHER	RONDELLE	SCHEIBE
45	12523070/0	1	RONDELLA	WASHER	RONDELLE	SCHEIBE
46	12155000/0	1	DADO	NUT	ECROU	MUTTER
47	27604002/0	1	PULEGGIA	PULLEY	POULIE	RIEMENSCHIEBE
48	12691900/0	1	VITE	SCREW	VIS	SCHRAUBE
49	12523060/0	1	ROSETTA	WASHER	RONDELLE	SCHEIBE
50	12293201/0	1	DADO	NUT	ECROU	MUTTER
51	25430210/0	1	MOLLA	SPRING	RESSORT	FEDER
52	25510040/0	1	PERNO	PIN	PIVOT	BOLZEN
53	25670011/0	2	RONDELLA	WASHER	RONDELLE	SCHEIBE
54	12155000/0	1	DADO	NUT	ECROU	MUTTER
55	27034051/0	1	ASTA	ROD	TIGE	STAB
56	24487997/0	1	COPPIGLIA	COTTER PIN	GOUPILLE	SPLIT
57	12293200/0	1	DADO	NUT	ECROU	MUTTER
58	12155000/0	1	DADO	NUT	ECROU	MUTTER
59	35061424/0	1	CINGHIA	BELT	COURROIE	RIEMEN
60	25510040/0	1	PERNO	PIN	PIVOT	BOLZEN
61	25670011/0	2	RONDELLA	WASHER	RONDELLE	SCHEIBE
62	12155000/0	1	DADO	NUT	ECROU	MUTTER

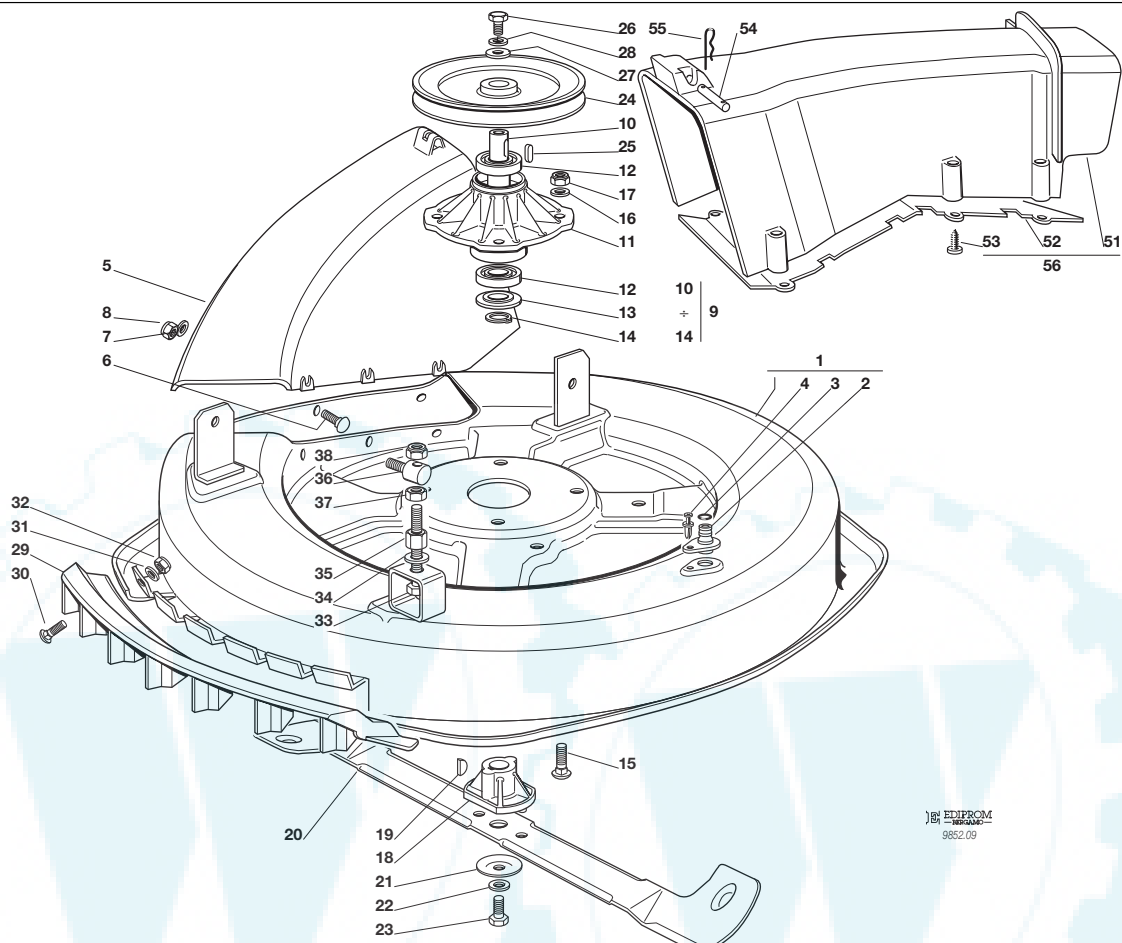


F72
F72 hydro



PIATTO DI TAGLIO (2)
CUTTING PLATE (2)
PLATEAU DE COUPE (2)
SCHNEIDWERKZEUG (2)

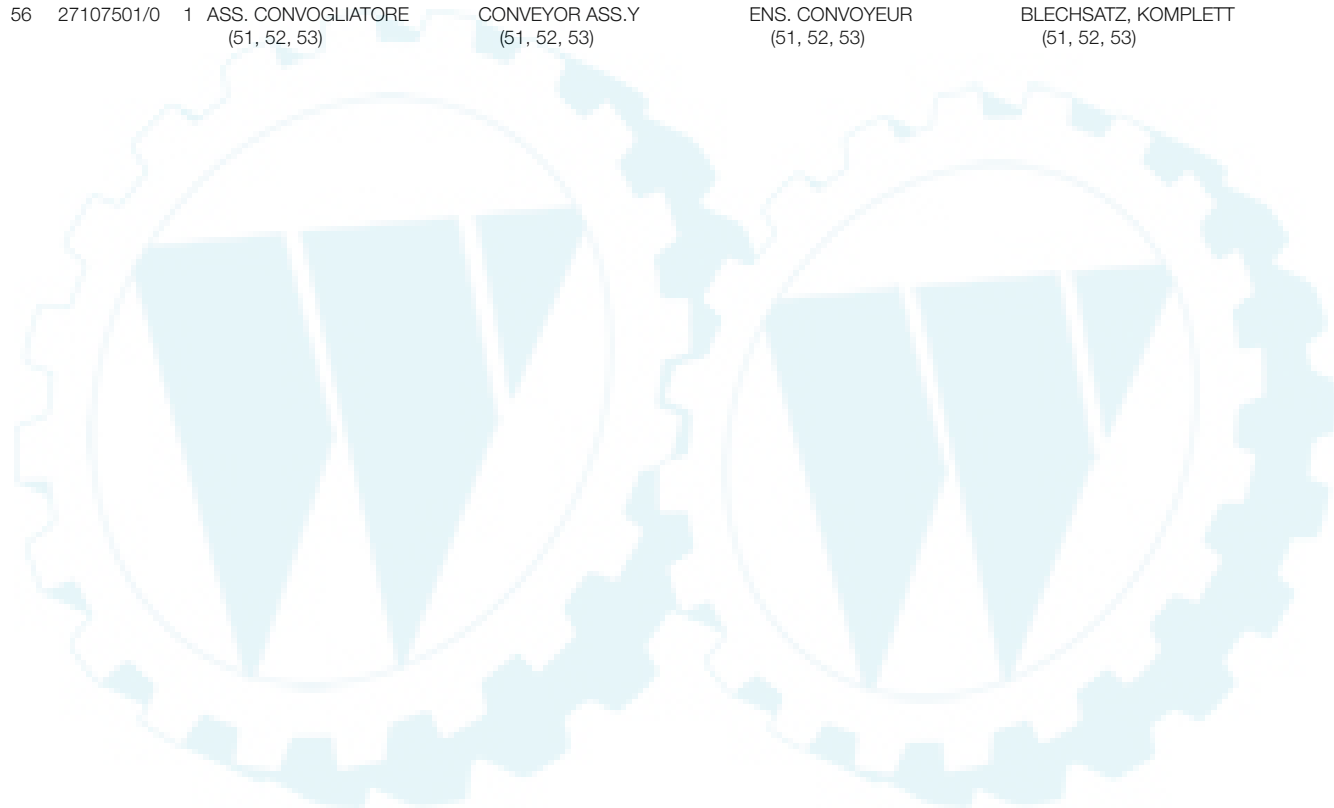
1999
009.0
1 / 2




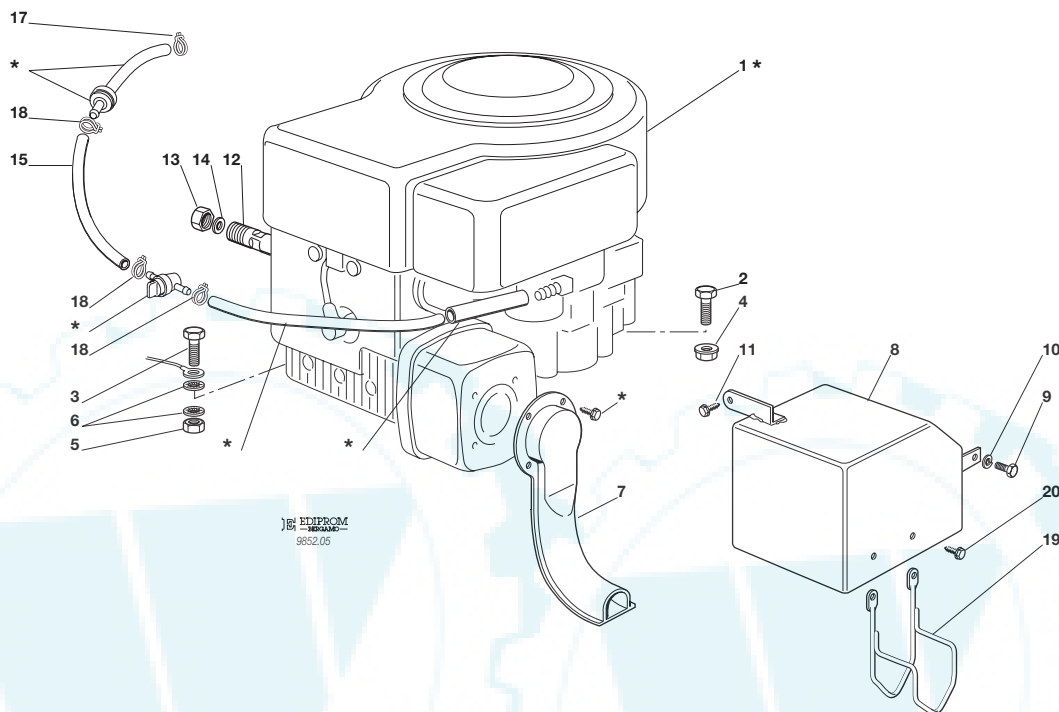
N.	CODE	Q.TY	DESCRIZIONE	DESCRIPTION	DESCRIPTION	BESCHREIBUNG
1	84564092/0	1	PIATTO	PLATE	PLATEAU	SCHNEID
2	25033060/0	1	ATTACCO	WATER HOSE CONNECTION	RACCORD TUYAU D'EAU	WASSERANSCHLUSS
3	19035000/0	1	ANELLO OR	O RING	O RING	O RING
4	12500030/0	1	RIVETTO	RIVET	RIVET	NIET
5	27045000/0	1	BOCCA CONVOGLIATORE	CONVEYOR INLET	BOUCHE CONVOYEUR	BLECHSATZEINGANG
6	12815210/0	6	VITE	SCREW	VIS	SCHRAUBE
7	12523040/0	6	ROSETTA	WASHER	RONDELLE	SCHEIBE
8	12154510/0	6	DADO	NUT	ECROU	MUTTER
9	84207250/0	1	ASS. FLANGIA (10÷14)	FLANGE ASS.Y (10÷14)	ENS. BRIDE (10÷14)	NABE, KOMPLETT (10÷14)
10	27023000/0	1	ALBERO	SHAFT	ARBRE	WELLE
11	27208402/0	1	FLANGIA	FLANGE	BRIDE	FLANSCH
12	19216032/0	2	CUSCINETTO	BEARING	ROULEMENT	KUEGELLAGER
13	25160501/0	1	DISCO PARAPOLVERE	DUST COVER	PROTEGE-POUSSIERE	STAUBSCHUTTSCHIEBE
14	12609260/0	1	SEEGER	SEEGER	SEEGER	SEEGER
15	12818700/0	4	VITE	SCREW	VIS	SCHRAUBE
16	12521350/0	4	RONDELLA	WASHER	RONDELLE	SCHEIBE
17	12155000/0	4	DADO	NUT	ECROU	MUTTER
18	25463200/0	1	MOZZO COLTELLO	BLADE HUB	MOYEU LAME	MESSERHALTER
19	12139100/0	1	LINGUETTA	KEY	CLAVETTE	KEIL
20	84109500/0	1	COLTELLO	BLADE	LAME	MESSER
21	22160400/0	1	DISCO PARAPOLVERE	DUST COVER	PROTEGE-POUSSIERE	STAUBSCHUTTSCHIEBE
22	12523080/0	1	RONDELLA	WASHER	RONDELLE	SCHEIBE
23	12735694/0	1	VITE	SCREW	VIS	SCHRAUBE
24	27604000/0	1	PULEGGIA	PULLEY	POULIE	RIEMENSCHIEBE
25	12139480/0	1	CHIAVETTA	KEY	CLAVETTE	KEIL
26	12793102/0	1	VITE	SCREW	VIS	SCHRAUBE
27	25670007/0	1	RONDELLA	WASHER	RONDELLE	SCHEIBE
28	12583500/0	1	GROWER	GROWER	GROWER	GROWER
29	27488000/0	1	GRIGLIA ASPIRAZIONE	AIR INTAKE GRILL	GRILLE D'ASPIRATION	ANSAUGGITTER
30	12815200/0	4	VITE	SCREW	VIS	SCHRAUBE



N.	CODE	Q.TY	DESCRIZIONE	DESCRIPTION	DESCRIPTION	BESCHREIBUNG
31	12523040/0	4	ROSETTA	WASHER	RONDELLE	SCHEIBE
32	12154510/0	4	DADO	NUT	ECROU	MUTTER
33	12794970/0	1	VITE	SCREW	VIS	SCHRAUBE
34	12523080/0	1	ROSETTA	WASHER	RONDELLE	SCHEIBE
35	12154250/0	1	DADO	NUT	ECROU	MUTTER
36	25510007/1	1	PERNO	PIN	PIVOT	BOLZEN
37	12295200/0	1	DADO	NUT	ECROU	MUTTER
38	12156602/0	1	DADO	NUT	ECROU	MUTTER
—	84564090/0		PIATTO DI TAGLIO ASSEMBLATO (008, 31÷62 + 009, 1÷38)	CUTTING PLATE, ASSEMBLED (008, 31÷62 + 009, 1÷38)	PLATEAU DE COUPE,S COMPLETE (008, 31÷62 + 009, 1÷38)	CHNEIDWERKZEUG, KOMPLETT (008, 31÷62 + 009, 1÷38)
51	27107501/0	1	CONVOGLIATORE	CONVEYOR	CONVOYEUR	BLECHSATZ
52	27140051/1	1	DEFLETTORE	DEFLECTOR	DEFLECTEUR	ABWEISER
53	12735402/0	8	VITE	SCREW	VIS	SCHRAUBE
54	27510097/1	1	PERNO	PIN	PIVOT	BOLZEN
55	24487997/0	2	COPPIGLIA	COTTER PIN	GOUPILLE	SPLIT
56	27107501/0	1	ASS. CONVOGLIATORE (51, 52, 53)	CONVEYOR ASS.Y (51, 52, 53)	ENS. CONVOYEUR (51, 52, 53)	BLECHSATZ, KOMPLETT (51, 52, 53)



F72		MOTORE	1999
F72 hydro		ENGINE	005.0
		MOTEUR	1 / 1
		MOTOR	
		10,5 HP B&S	



N.	CODE	Q.TY	DESCRIZIONE	DESCRIPTION	DESCRIPTION	BESCHREIBUNG
1*	-	1	MOTORE	ENGINE	MOTEUR	MOTOR
2	12793701/0	3	VITE	SCREW	VIS	SCHRAUBE
3	12691100/0	1	VITE	SCREW	VIS	SCHRAUBE
4	12293201/0	3	DADO	NUT	ECROU	MUTTER
5	12293200/0	1	DADO	NUT	ECROU	MUTTER
6	12540260/0	2	RONDELLA	WASHER	RONDELLE	SCHLEIBE
7	84640550/0	1	RACCORDO SCARICO	EXHAUST CONNECTION	CONNEXION ECHAPPEMENT	AUSPUFFANSCHLUSS
8	82598001/0	1	PROTEZIONE SILENZIATORE	MUFFLER PROTECTION	PROTECTION SILENCIEUX	AUSPUFFSCHUTZ
9	12735510/0	1	VITE	SCREW	VIS	SCHRAUBE
10	12582100/0	1	GROWER	GROWER	GROWER	GROWER
11	12735104/0	1	VITE	SCREW	VIS	SCHRAUBE
12	27598060/0	1	PROLUNGA SCARICO OLIO	OIL DISCHARGE EXTENSION	EXTENSION RALLONGE DE DECH. HUILE	ÖL ENTLEERUNGSVERLAENGERUNG
13	18737849/0	1	TAPPO PER PROLUNGA	OIL CAP	BOUCHON HUILE	OELVERSCHLUSS
14	18401001/0	1	GUARNIZIONE	OIL SEAL	GARNITURE	DICHTUNG
15	25869004/0	1	TUBO FILTRO	TUBE	TUBE	ROHR
17	18375053/0	1	FASCETTA	FAIR LED	FIXATION DE CABLE	KABELBEFESTIGUNG
18	18375051/1	3	FASCETTA	FAIR LED	FIXATION DE CABLE	KABELBEFESTIGUNG
19	27600059/1	1	PROTEZIONE SCARICO	EXHAUST PROTECTION	PROTECTION ECHAPPEMENT	AUSPUFFSCHUTZ
20	12735110/0	2	VITE	SCREW	VIS	SCHRAUBE

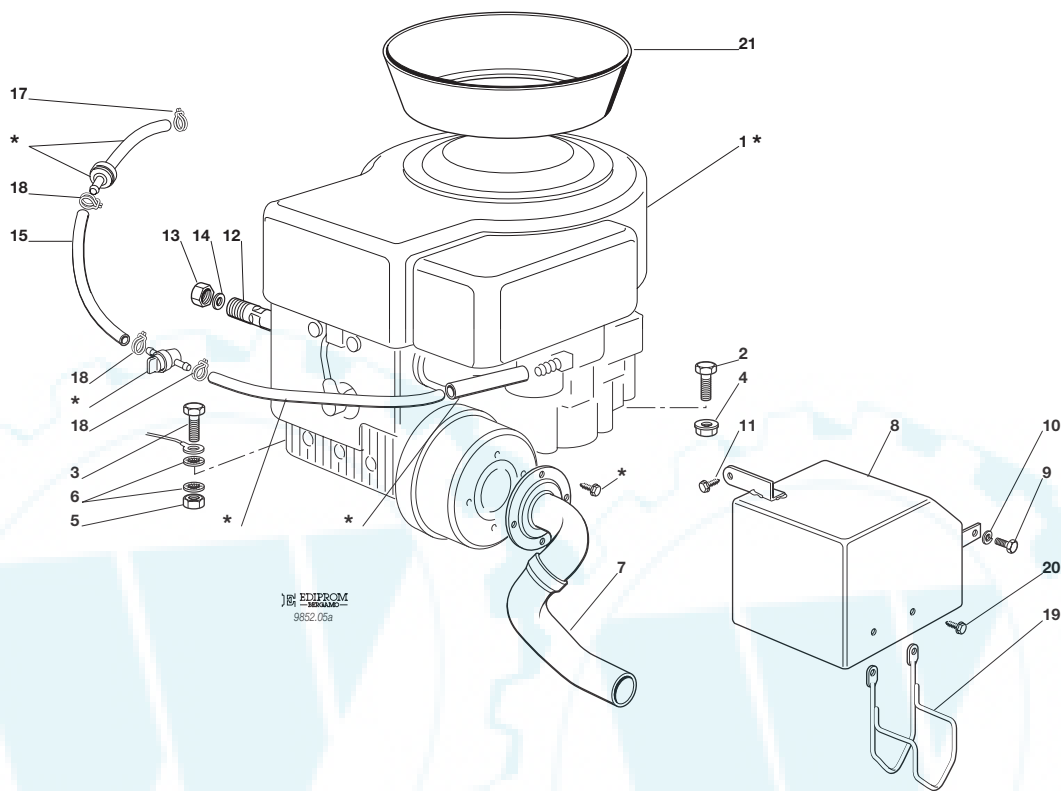
PER LA SOSTITUZIONE DELLE PARTI CONTRASSEGNAE CON «*» RIVOLGERSI AL SERVIZIO ASSISTENZA DEL COSTRUTTORE DEL MOTORE.
 TO REPLACE THE PARTS MARKED «*» SEEK ASSISTANCE FROM THE ENGINE MANUFACTURER'S AFTER SALES SERVICE.
 POUR LE REMPLACEMENT DES PIÈCES MARQUÉES AVEC «*» S'ADRESSER AU SERVICE APRÈS VENTES DU CONSTRUCTEUR DU MOTEUR.
 ZUM AUSTAUSCH DER MIT «*» GEKENNZEICHNETEN TEILE, WENDEN SIE SICH AN DEN KUNDENDIENST DES HERSTELLERS DES MOTOR.

F72
F72 hydro



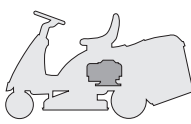
MOTORE
ENGINE
MOTEUR
MOTOR
8,5 HP B&S

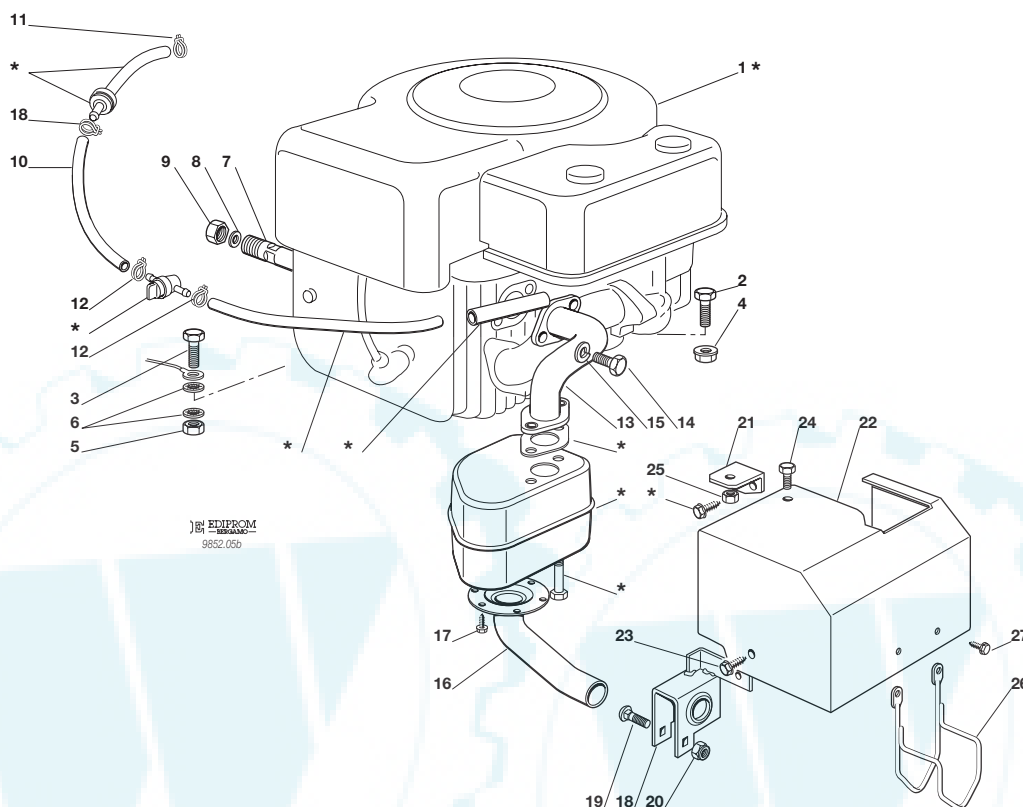
1999
005a.0
1 / 1



N.	CODE	Q.TY	DESCRIZIONE	DESCRIPTION	DESCRIPTION	BESCHREIBUNG
1*	-	1	MOTORE	ENGINE	MOTEUR	MOTOR
2	12793701/0	3	VITE	SCREW	VIS	SCHRAUBE
3	12691100/0	1	VITE	SCREW	VIS	SCHRAUBE
4	12293201/0	3	DADO	NUT	ECROU	MUTTER
5	12293200/0	1	DADO	NUT	ECROU	MUTTER
6	12540260/0	2	RONDELLA	WASHER	RONDELLE	SCHIEBE
7	18738217/0	1	RACCORDO SCARICO	EXHAUST CONNECTION	CONNEXION ECHAPPEMENT	AUSPUFFANSCHLUSS
8	82598053/0	1	PROTEZIONE SILENZIATORE	MUFFLER PROTECTION	PROTECTION SILENCIEUX	AUSPUFFSCHUTZ
9	12735510/0	1	VITE	SCREW	VIS	SCHRAUBE
10	12582100/0	1	GROWER	GROWER	GROWER	GROWER
11	12735104/0	1	VITE	SCREW	VIS	SCHRAUBE
12	27598060/0	1	PROLUNGA SCARICO OLIO	OIL DISCHARGE EXTENSION	EXTENSION RALLONGE DE DECH. HUILE	ÖL ENTLEERUNGSVERLÄNGERUNG
13	18737849/0	1	TAPPO PER PROLUNGA	OIL CAP	BOUCHON HUILE	OELVERSCHLUSS
14	18401001/0	1	GUARNIZIONE	OIL SEAL	GARNITURE	DICHTUNG
15	25869004/0	1	TUBO FILTRO	TUBE	TUBE	ROHR
17	18375053/0	1	FASCETTA	FAIR LED	FIXATION DE CABLE	KABELBEFESTIGUNG
18	18375051/1	3	FASCETTA	FAIR LED	FIXATION DE CABLE	KABELBEFESTIGUNG
19	27600059/1	1	PROTEZIONE SCARICO	EXHAUST PROTECTION	PROTECTION ECHAPPEMENT	AUSPUFFSCHUTZ
20	12735110/0	2	VITE	SCREW	VIS	SCHRAUBE
21	25108007/0	1	CONVOGLIATORE	CONVEYOR	CONVOYEUR	LUFTHAUBE

PER LA SOSTITUZIONE DELLE PARTI CONTRASSEGNAE CON «*» RIVOLGERSI AL SERVIZIO ASSISTENZA DEL COSTRUTTORE DEL MOTORE.
TO REPLACE THE PARTS MARKED «*» SEEK ASSISTANCE FROM THE ENGINE MANUFACTURER'S AFTER SALES SERVICE.
POUR LE REMPLACEMENT DES PIÈCES MARQUÉES AVEC «*» S'ADRESSER AU SERVICE APRÈS VENTES DU CONSTRUCTEUR DU MOTEUR.
ZUM AUSTAUSCH DER MIT «*» GEKENNZEICHNETEN TEILE, WENDEN SIE SICH AN DEN KUNDENDIENST DES HERSTELLERS DES MOTOR.

F72		MOTORE ENGINE MOTEUR MOTOR 10 HP TECUMSEH	1999
F72 hydro		005b.0	
		1 / 2	



N.	CODE	Q.TY	DESCRIZIONE	DESCRIPTION	DESCRIPTION	BESCHREIBUNG
1*	-	1	MOTORE	ENGINE	MOTEUR	MOTOR
2	12793701/0	3	VITE	SCREW	VIS	SCHRAUBE
3	12691100/0	1	VITE	SCREW	VIS	SCHRAUBE
4	12293201/0	3	DADO	NUT	ECROU	MUTTER
5	12293200/0	1	DADO	NUT	ECROU	MUTTER
6	12540260/0	2	RONDELLA	WASHER	RONDELLE	SCHEIBE
7	27598060/0	1	PROLUNGA SCARICO OLIO	OIL DISCHARGE EXTENSION	EXTENSION RALLONGE DE DECH. HUILE	ÖL ENTLEERUNGSVERLAENGERUNG
8	18737849/0	1	TAPPO PER PROLUNGA	OIL CAP	BOUCHON HUILE	OELVERSCHLUSS
9	18401001/0	1	GUARNIZIONE	OIL SEAL	GARNITURE	DICHTUNG
10	25869004/0	1	TUBO FILTRO	TUBE	TUBE	ROHR
11	18375053/0	1	FASCETTA	FAIR LED	FIXATION DE CABLE	KABELBEFESTIGUNG
12	18375051/1	3	FASCETTA	FAIR LED	FIXATION DE CABLE	KABELBEFESTIGUNG
13	18738218/0	1	TUBI RACCORDO SCARICO	EXAUST CONNECTING TUBE	TUBE DE CONNEXION POUR ECHAPPEMENT	VERBINDUNGSROHR FÜR ABGASUNG
14	12737450/0	2	VITE	SCREW	VIS	SCHRAUBE
15	12583500/0	2	GROWER	GROWER	GROWER	GROWER
16	18738216/0	1	TUBI RACCORDO SCARICO	EXAUST CONNECTING TUBE	TUBE DE CONNEXION POUR ECHAPPEMENT	VERBINDUNGSROHR FÜR ABGASUNG
17	12735106/0	4	VITE	SCREW	VIS	SCHRAUBE
18	84773557/0	1	STAFFA	BRACKET	ETRIER	BRIDE
19	12815240/0	1	VITE	SCREW	VIS	SCHRAUBE
20	12154510/0	1	DADO	NUT	ECROU	MUTTER
21	27546009/0	1	PIASTRINA	PLATE	PLAQUETTE	PLATTE
22	84598061/0	1	PROTEZIONE SILENZIATORE	MUFFLER PROTECTION	PROTECTION SILENCIEUX	AUSPUFFSCHUTZ
23	12731601/0	1	VITE	SCREW	VIS	SCHRAUBE
24	12790780/0	1	VITE	SCREW	VIS	SCHRAUBE
25	12292102/0	1	DADO	NUT	ECROU	MUTTER
26	27600059/1	1	PROTEZIONE SCARICO	EXHAUST PROTECTION	PROTECTION ECHAPPEMENT	AUSPUFFSCHUTZ
27	12735110/0	2	VITE	SCREW	VIS	SCHRAUBE

