

**RL 430**

**RL 430 S**

**RL 480**

CHASSIS  
MANICO  
COMANDI  
DOTAZIONE VITERIE

DECK  
HANDLE  
CONTROLS  
SCREWS OUTFITS

CHÂSSIS  
MANCHERON  
COMMANDES  
DOTATION VISSERIE

GEHÄUSE  
HOLM  
BETÄTIGUNGEN  
SCRAUBENSATZ

SPARE PARTS CATALOGUE

ERSATZTEILKATALOG

GB

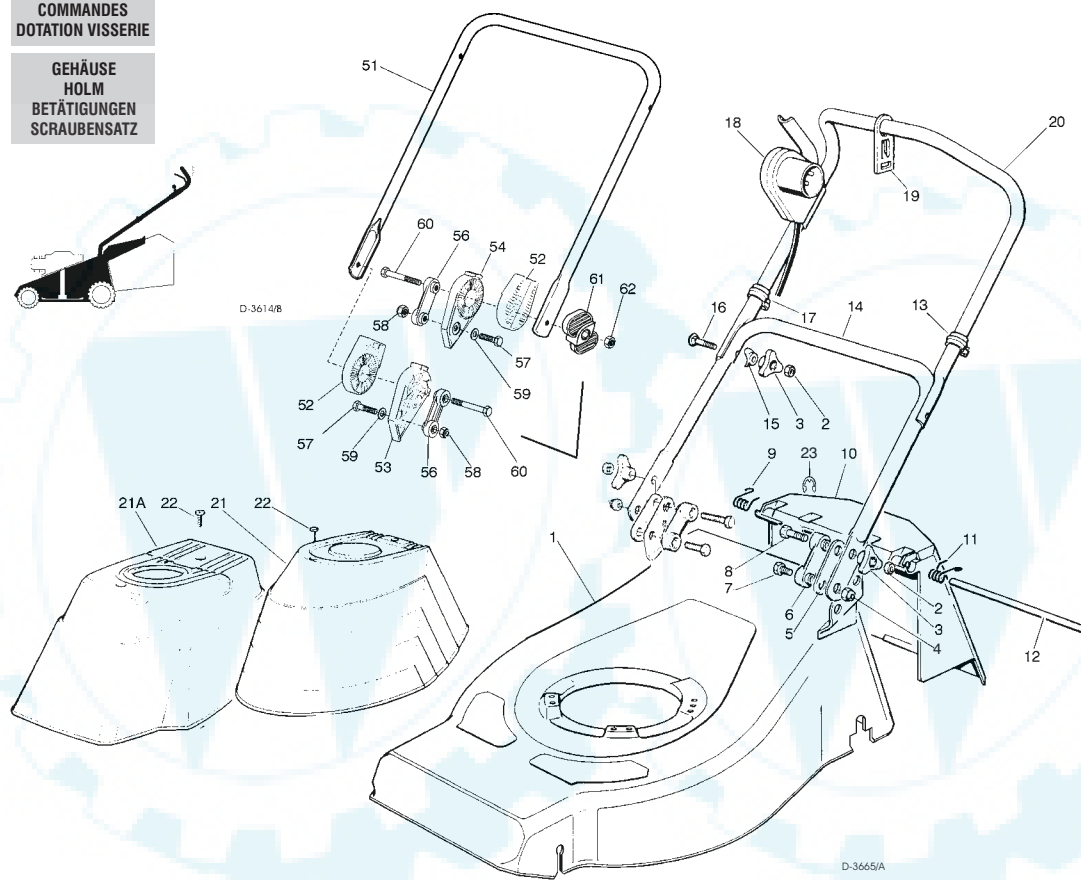
D

CATALOGO DELLE PARTI  
DI RICAMBIO

CATALOGUE DES PIÈCES  
DE RECHANGE

I

F



T-3665/A

Pos. Nr.	Code Code Kodex	Q.tà Q.ty-Q.tè Menge	Descrizione	Description	Description	Beschreibung
1			CHASSIS	DECK	CHÂSSIS	GEHÄUSE
—	81001026/0	1	ROSSO RL 430	RED RL 430	ROUGE RL 430	ROTES RL 430
—	81001009/0	1	GIALLO RL 430	YELLOW RL 430	JAUNE RL 430	GELBES RL 430
—	81001515/0	1	VERDE RL 430	GREEN RL 430	VERT RL 430	GRÜNES RL 430
—	81001028/0	1	ROSSO RL 480	RED RL 480	ROUGE RL 480	ROTES RL 480
—	81001011/0	1	GIALLO RL 480	YELLOW RL 480	JAUNE RL 480	GELBES RL 480
—	81001516/0	1	VERDE RL 480	GREEN RL 480	VERT RL 480	GRÜNES RL 480
2	12293200/0	4	DADO	NUT	ECROU	MUTTER
3	22399900/0	4	MANOPOLINA	KNOB	POIGNÉE	GRIF
4	12155000/0	2	DADO	NUT	ECROU	MUTTER
5	22551574/0	2	PIASTRINA ESTERNA	OUTSIDE PLAQUE	PLAQUETTE EXTERNE	INNERE PLATTE
6	22551575/0	2	PIASTRINA INTERNA	INSIDE PLAQUE	PLAQUETTE INTERNE	INNERE PLATTE
7	12793300/0	2	VITE	SCREW	VIS	SCHRAUBE
8	12691115/0	2	VITE	SCREW	VIS	SCHRAUBE
9	22450410/1	1	MOLLA DX	RIGHT SPRING	RESSORT DROITE	RECHTE FEDER
10	22600028/4	1	PARASSASSI	STONE-GUARD	PARE-PIERRES	PRALLBLECH

Pos. Nr.	Code Code Kodex	Q.tà Q.ty-Q.tè Menge	Descrizione	Description	Description	Beschreibung
11	22450420/1	1	MOLLA SX	LEFT SPRING	RESSORT GAUCHE	LINKE FEDER
12	22517906/1	1	PERNO	PIN	PIVOT	BOLZEN
13	22192151/0	1	FERMACAVO	FAIR LEAD	FIXATION CABLE	KABELBEFESTIGUNG
14	81006512/0	1	PARTE INF. MANICO	LOWER HANDLE	PARTIE INF. MANCHERON	UNTERHOLM
15	22680006/1	2	RONDELLA	WASHER	RONDELLE	SCHEIBE
16	12819201/0	2	VITE	SCREW	VIS	SCHRAUBE
17	22192000/1	1	FASCETTA ANCORAGGIO	ANCHOR CLAMP	COLLIER ANCRAGE	BOWDENZUGHALTER
18	18710562/0	1	SALVAMOTORE M.M.	DEAD HAND SWITCH	INT. MAIN MORTE	TOT MANSCHALTER
—	18710562/0	1	8,5 A 602 MS (1300W IBMEI/RST)	8,5 A 602 MS (1300W IBMEI/RST)	8,5 A 602 MS (1300W IBMEI/RST)	8,5 A 602 MS (1300W IBMEI/RST)
—	18710563/0	1	8,5 A 603 MS (1300W IBMEI/RST)	8,5 A 603 MS (1300W IBMEI/RST)	8,5 A 603 MS (1300W IBMEI/RST)	8,5 A 603 MS (1300W IBMEI/RST)
—	18710624/1	1	SOLO PER SVIZZERA	ONLY FOR SWITZERLAND	SEULEMENT POUR LA SUISSE	NUR FÜR SCHWEIZ
—	18710624/1	1	8,5 A 607 MS (1300W IBMEI)	8,5 A 607 MS (1300W IBMEI)	8,5 A 607 MS (1300W IBMEI)	8,5 A 607 MS (1300W IBMEI)
—	18710604/0	1	10 A 602 MS (1600W IBMEI/RST)	10 A 602 MS (1600W IBMEI/RST)	10 A 602 MS (1600W IBMEI/RST)	10 A 602 MS (1600W IBMEI/RST)
—	18710572/0	1	10 A 603 MS (1600W IBMEI/RST)	10 A 603 MS (1600W IBMEI/RST)	10 A 603 MS (1600W IBMEI/RST)	10 A 603 MS (1600W IBMEI/RST)
—	18710628/0	1	SOLO PER SVIZZERA	ONLY FOR SWITZERLAND	SEULEMENT POUR LA SUISSE	NUR FÜR SCHWEIZ
—	18710628/0	1	10 A 607 MS (1600W IBMEI)	10 A 607 MS (1600W IBMEI)	10 A 607 MS (1600W IBMEI)	10 A 607 MS (1600W IBMEI)
19	22195101/0	1	FERMACAVO	FAIR LEAD	FIXATION CABLE	KABELBEFESTIGUNG
20	81007017/1	1	PARTE SUP. MANICO	UPPER HANDLE	PARTIE SUP. MANCHERON	OBERHOLM
21	81002057/0	1	ASSIEME CAPOTTINA	COVER ASS.Y	ENS. CAPOT	KOMPLETTE HAUBE
21A	81002059/0	1	ASSIEME CAPOTTINA	COVER ASS.Y	ENS. CAPOT	KOMPLETTE HAUBE
22	12728680/0	2	VITE	SCREW	VIS	SCHRAUBE
23	12000930/0	1	ANELLO ELASTICO	SNAP RING	ANNEAU RESSORT	SPRENGRING
—	81008596/1	1	DOTAZ. VITERIA	SCREWS OUTFIT	DOTATION VISSERIE	SCHRAUBEN SATZ

T-3614/B

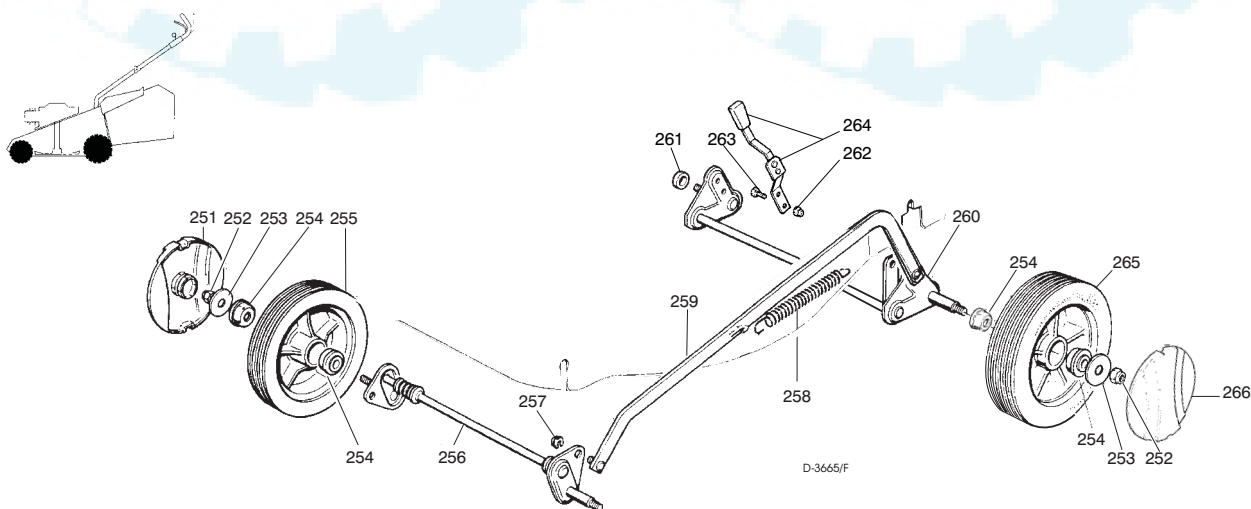
			VARIANTE REGOLAZIONE MANICO	HANDLE ADJUSTMENT VARIANT	VARIANTE REGLAGE POIGNEE	GRIFFEINSTELLVARIANTE
51	81006510/0	1	PARTE INFR. MANICO	LOWER HANDLE	PARTIE INF. MANCHERON	UNTERHOLM
52	22785081/0	2	SUPPORTO ESTERNO	EXTERNAL SUPPORT	SUPPORT EXTERNE	AUßERE HALTERUNG
53	22785082/0	1	SUPPORTO INTERNO DX	R. INTERNAL SUPPORT	SUPPORT INTERNE DROIT	INNERE HALTERUNG RECHTS
54	22785083/1	1	SUPPORTO INTERNO SX	L. INTERNAL SUPPORT	SUPPORT INTERNE GAUCHE	INNERE HALTERUNG LINKS
56	22551575/0	2	PIASTRINA INTERNA	INSIDE PLAQUE	PLAQUETTE INTERNE	INNERE PLATTE
57	12793701/0	2	VITE	SCREW	VIS	SCHRAUBE
58	12155000/0	2	DADO	NUT	ECROU	MUTTER
59	12521350/0	2	RONDELLA	WASHER	RONDELLE	SCHEIBE
60	12691810/0	2	VITE	SCREW	VIS	SCHRAUBE
61	22399803/0	2	MANOPOLINA	KNOB	POIGNÉE	GRIFF
62	12293202/0	2	DADO	NUT	ECROU	MUTTER
—	81008622/0	1	DOTAZ. VITERIA	SCREWS OUTFIT	DOTATION VISSERIE	SCHRAUBEN SATZ

RUOTE E REGOLAZIONE




WHEELS AND HEIGHT ADJUSTING

ROUES ET REGLAGE HAUTEUR DE COUPE

RÄDER UND SCHNITTHÖHEVERSTELLUNG



T-3665/F

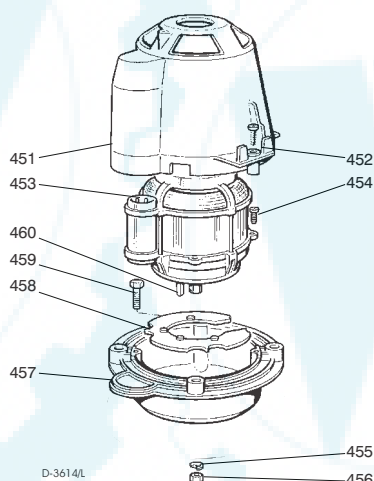
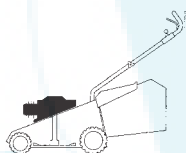
Pos. Nr.	Codice Code Kodex	Q.tà Q.ty-Q.tè Menge	Descrizione	Description	Description	Beschreibung
251	 COPRIMOZZO		HUB CAP	HUB CAP	COUVRE-MOYEU	RADKAPPE
—	22110252/0	2	BIANCO	WHITE	BLANC	WEIßE
—	22110254/0	2	GIALLO	YELLOW	JAUNE	GELB
—	22110255/0	2	ROSSO	RED	ROUGE	ROTE
252	12155000/0	2	DADO	NUT	ECROU	MUTTER
253	12523060/0	2	RONDELLA	WASHER	RONDELLE	SCHEIBE
254	22034508/0	4	BOCCOLA	BUSH	DOUILLE	BÜCHSE
255	81007326/0	2	RUOTA Ø 170	WHEEL Ø 170	ROUE Ø 170	RAD Ø 170
256	81001248/0	1	ASSE RUOTE ANT. RL 430	FRONT WHEELS AXLE RL 430	AXE ROUES AVANT RL 430	VORDERRADACHSE RL 430
—	81001250/0	1	ASSE RUOTE ANT. RL 480	FRONT WHEELS AXLE RL 480	AXE ROUES AVANT RL 480	VORDERRADACHSE RL 480
257	12436050/0	2	PIASTRINA	PLATE	PLAQUETTE	PLATTE
258	22446180/0	1	MOLLA	SPRING	RESSORT	FEDER
259	 ASTA COMANDO		ROD ADJUSTMENT	ROD ADJUSTMENT	TIGE COMMANDE	STELLSTAB
—	81001244/0	1	RL 430	RL 430	RL 430	RL 430
—	81001246/1	1	RL 480	RL 480	RL 480	RL 480
260	81001254/0	1	ASSE RUOTE POST.	REAR WHEELS AXLE	AXE ROUES ARRIERE	HINTERRADACHSE
261	22170800/0	1	DISTANZIALE	SPACER	ENTRETOISE	DISTANZRING
262	12154320/0	2	DADO	NUT	ECROU	MUTTER
263	12789000/0	2	VITE	SCREW	VIS	SCHRAUBE
264	81003279/1	1	LEVA REGOLAZIONE	ADJUSTMENT LEVER	LEVIER REGLAGE	VERSTELLUNGHEBEL
265	81007328/0	2	RUOTA Ø 210	WHEEL Ø 210	ROUE Ø 210	RAD Ø 210
266	 COPRIMOZZO		HUB CAP	HUB CAP	COUVRE-MOYEU	RADKAPPE
—	22110251/0	2	BIANCO	WHITE	BLANC	WEIßE
—	22110253/0	2	GIALLO	YELLOW	JAUNE	GELBE
—	22110256/0	2	ROSSO	RED	ROUGE	ROTE

GRUPPO MOTORE ELETTRICO

MOTOR ASS.Y




MOTEUR ELECTRIQUE

ELEKTROMOTOR



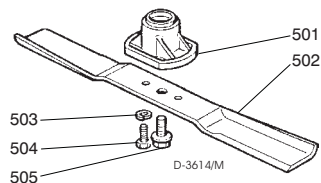
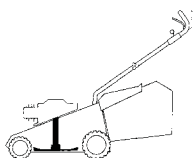
D-3614/L

T-3614/L

451	22785061/0	1	SUPPORTO CAPOTTINA	COVER SUPPORT	SUPPORT CAPOT	HAUBEHALTER
452	12728710/0	4	VITE	SCREW	VIS	SCHRAUBE
453	 MOTORE		MOTORE	MOTOR	MOTEUR	MOTOR
—	18563068/1	1	IBMEI 1300W (230V)	IBMEI 1300W (230V)	IBMEI 1300W (230V)	IBMEI 1300W (230V)
—	18563008/0	1	RST 1300W (220-230V)	RST 1300W (220-230V)	RST 1300W (220-230V)	RST 1300W (220-230V)
—	18563069/1	1	IBMEI 1300W (240V)	IBMEI 1300W (240V)	IBMEI 1300W (240V)	IBMEI 1300W (240V)
—	18563061/2	1	IBMEI 1600W (230V)	IBMEI 1600W (230V)	IBMEI 1600W (230V)	IBMEI 1600W (230V)
—	18563009/0	1	RST 1600W (230V)	RST 1600W (230V)	RST 1600W (230V)	RST 1600W (230V)
—	18563047/2	1	IBMEI 1600W (240V)	IBMEI 1600W (240V)	IBMEI 1600W (240V)	IBMEI 1600W (240V)
453A	 VENTOLA		VENTOLA	FAN	VENTILATEUR	LÜFTER
—	18740049/0	1	PER MOTORE IBMEI	IBMEI MOTOR	MOTEUR IBMEI	IBMEI MOTOR
—	18740051/0	1	PER MOTORE RST	RST MOTOR	MOTEUR RST	RST MOTOR
453B	 CONDENSATORE		CONDENSATORE	CONDENSER	CONDENSEUR	KONDENSATOR
—	18222037/0	1	16 µF	16 µF	16 µF	16 µF
—	18222038/0	1	20 µF	20 µF	20 µF	20 µF
454	12735410/0	4	VITE	SCREW	VIS	SCHRAUBE
455	12583500/0	4	GROWER	GROWER	GROWER	FEDERRING
456	12293200/0	4	DADO	NUT	ECROU	MUTTER
457	22207211/3	1	FLANGIA	FLANGE	BRIDE	FLANSCH
458	22720360/1	1	SCHERMO VENTILAZIONE	VENTILATION SCREEN	ECRAN VENTILATION	LÜFTUNGSSCHIRM
459	12793700/0	4	VITE	SCREW	VIS	SCHRAUBE
460	12139440/0	1	LINGUETTA	FEATHER	CLAVETTE	KEIL

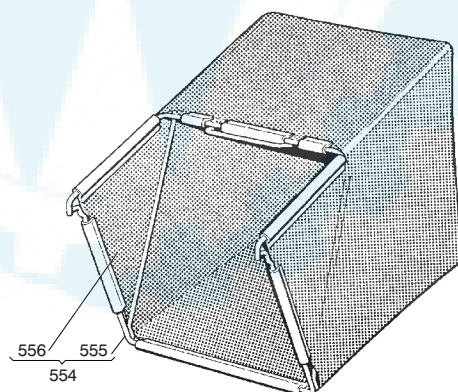
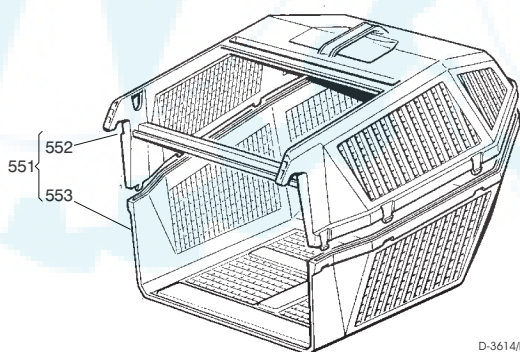
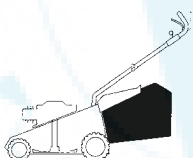
Pos. Nr.	Codice Code Kodex	Q.tà Q.ty-Q.tè Menge	Descrizione	Description	Description	Beschreibung
----------	-------------------	----------------------	-------------	-------------	-------------	--------------

- GRUPPO COLTELLO**
- BLADE ASS.Y**
- GROUPE LAME**
- MESSERSATZ**



T-3661/M	501	22463186/2	1	MOZZO	HUB	MOYEU	NABE
	502			COLTELLO	BLADE	LAME	MESSER
	—	81004341/2	1	STANDARD 41 cm.	STANDARD 41 cm.	STANDARD 41 cm.	STANDARD 41 cm.
	—	81004396/0	1	ALETTATO 41 cm.	WINGED 41 cm.	AILETTÉE 41 cm.	FLÜGEL 41 cm.
	—	81004346/2	1	STANDARD 46 cm.	STANDARD 46 cm.	STANDARD 46 cm.	STANDARD 46 cm.
	—	81004397/0	1	ALETTATO 46 cm.	WINGED 46 cm.	AILETTÉE 46 cm.	FLÜGEL 46 cm.
	503	12583500/0	2	GROWER	GROWER	GROWER	FEDERRING
	504	12793101/0	2	VITE	SCREW	VIS	SCHRAUBE
	505	81004352/0	1	VITE	SCREW	VIS	SCHRAUBE

- SACCO RACCOGLIERBA**
- GRASS-CATCHER**
- BAC DE RAMASSAGE**
- GRASFANGKORB**



T-3614/N	551	98005000/1	1	SACCO COMPLETO	COMPLETE GRASS-BOX	SAC COMPLET	KOMPLETTER KORB
	552	22486076/0	1	PARTE SUP. SACCO	UPPER GRASS BOX	PARTIE SUP. SAC	OBERKORB
	553	22486077/0	1	PARTE INF. SACCO	LOWER GRASS BOX	PARTIE INF. SAC	UNTERKORB
	554	98004000/0	1	ASS. SACCO IN TELA	CANVASS GRASSCATCHER	ENSEMBLE SAC EN TOILE	KOMPLETTER SACK
	555	81006408/0	1	TELAIO	CHASSIS	CHÂSSIS	RAHMEN
	556	81002105/2	1	TELA SACCO	FABRIC BOX	TOILE POUR SAC	TUCK FÜR SACK