

RL 430

RL 430 S

RL 480

CHASSIS
MANICO
COMANDI
DOTAZIONE VITERIE

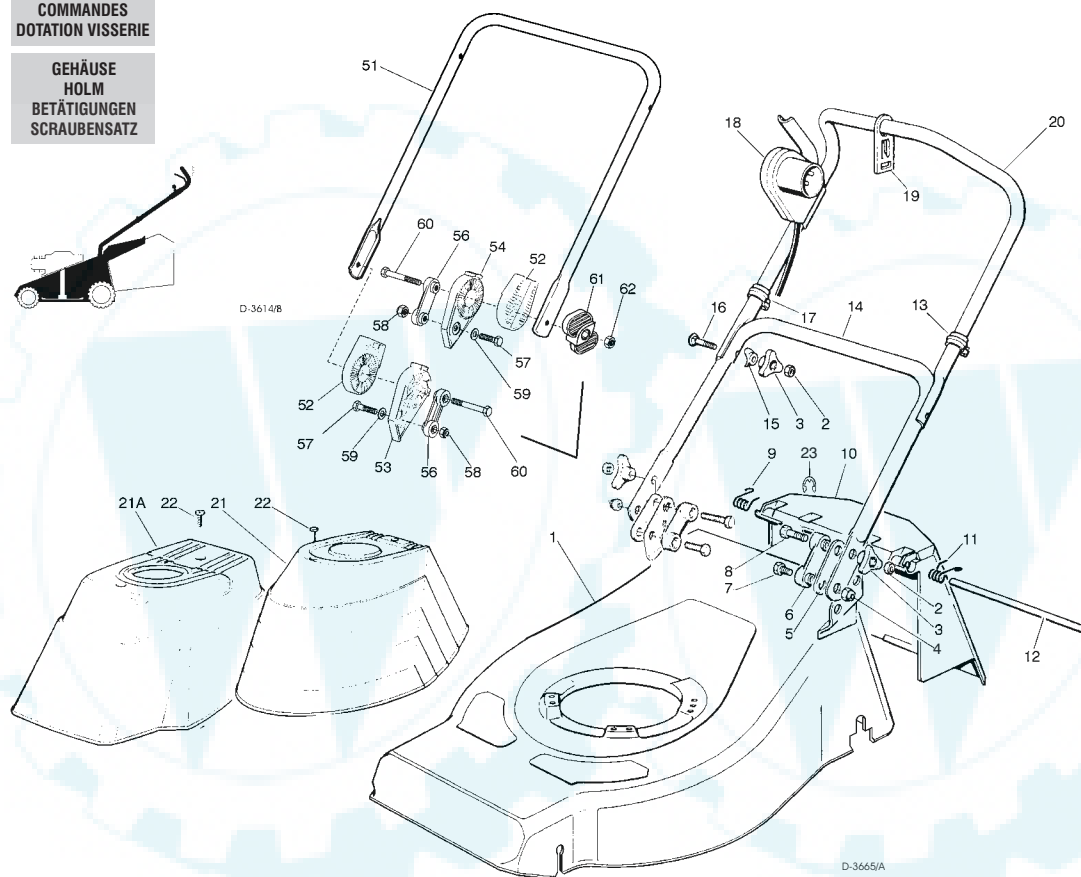
DECK
HANDLE
CONTROLS
SCREWS OUTFITS

CHÂSSIS
MANCHERON
COMMANDES
DOTATION VISSERIE

GEHÄUSE
HOLM
BETÄTIGUNGEN
SCRAUBENSATZ

SPARE PARTS CATALOGUE
GB
ERSATZTEILKATALOG
D

CATALOGO DELLE PARTI
DI RICAMBIO
I
CATALOGUE DES PIÈCES
DE RECHANGE
F



T-3665/A

| Pos. Nr. | Code Code Kodex | Q.tà Q.ty-Q.tè Menge | Descrizione | Description | Description | Beschreibung |
|----------|-----------------|----------------------|-------------------|----------------|-------------------|---------------|
| 1 | | | CHASSIS | DECK | CHÂSSIS | GEHÄUSE |
| — | 81001026/0 | 1 | ROSSO RL 430 | RED RL 430 | ROUGE RL 430 | ROTES RL 430 |
| — | 81001009/0 | 1 | GIALLO RL 430 | YELLOW RL 430 | JAUNE RL 430 | GELBES RL 430 |
| — | 81001515/0 | 1 | VERDE RL 430 | GREEN RL 430 | VERT RL 430 | GRÜNES RL 430 |
| — | 81001028/0 | 1 | ROSSO RL 480 | RED RL 480 | ROUGE RL 480 | ROTES RL 480 |
| — | 81001011/0 | 1 | GIALLO RL 480 | YELLOW RL 480 | JAUNE RL 480 | GELBES RL 480 |
| — | 81001516/0 | 1 | VERDE RL 480 | GREEN RL 480 | VERT RL 480 | GRÜNES RL 480 |
| 2 | 12293200/0 | 4 | DADO | NUT | ECROU | MUTTER |
| 3 | 22399900/0 | 4 | MANOPOLINA | KNOB | POIGNÉE | GRIF |
| 4 | 12155000/0 | 2 | DADO | NUT | ECROU | MUTTER |
| 5 | 22551574/0 | 2 | PIASTRINA ESTERNA | OUTSIDE PLAQUE | PLAQUETTE EXTERNE | INNERE PLATTE |
| 6 | 22551575/0 | 2 | PIASTRINA INTERNA | INSIDE PLAQUE | PLAQUETTE INTERNE | INNERE PLATTE |
| 7 | 12793300/0 | 2 | VITE | SCREW | VIS | SCHRAUBE |
| 8 | 12691115/0 | 2 | VITE | SCREW | VIS | SCHRAUBE |
| 9 | 22450410/1 | 1 | MOLLA DX | RIGHT SPRING | RESSORT DROITE | RECHTE FEDER |
| 10 | 22600028/4 | 1 | PARASASSI | STONE-GUARD | PARE-PIERRES | PRALLBLECH |

| Pos. Nr. | Code Code Kodex | Q.tà Q.ty-Q.tè Menge | Descrizione | Description | Description | Beschreibung |
|----------|-----------------|----------------------|--------------------------------|--------------------------------|--------------------------------|--------------------------------|
| 11 | 22450420/1 | 1 | MOLLA SX | LEFT SPRING | RESSORT GAUCHE | LINKE FEDER |
| 12 | 22517906/1 | 1 | PERNO | PIN | PIVOT | BOLZEN |
| 13 | 22192151/0 | 1 | FERMACAVO | FAIR LEAD | FIXATION CABLE | KABELBEFESTIGUNG |
| 14 | 81006512/0 | 1 | PARTE INF. MANICO | LOWER HANDLE | PARTIE INF. MANCHERON | UNTERHOLM |
| 15 | 22680006/1 | 2 | RONDELLA | WASHER | RONDELLE | SCHEIBE |
| 16 | 12819201/0 | 2 | VITE | SCREW | VIS | SCHRAUBE |
| 17 | 22192000/1 | 1 | FASCETTA ANCORAGGIO | ANCHOR CLAMP | COLLIER ANCRAGE | BOWDENZUGHALTER |
| 18 | 18710562/0 | 1 | SALVAMOTORE M.M. | DEAD HAND SWITCH | INT. MAIN MORTE | TOT MANSCHALTER |
| — | 18710562/0 | 1 | 8,5 A 602 MS (1300W IBMEI/RST) | 8,5 A 602 MS (1300W IBMEI/RST) | 8,5 A 602 MS (1300W IBMEI/RST) | 8,5 A 602 MS (1300W IBMEI/RST) |
| — | 18710563/0 | 1 | 8,5 A 603 MS (1300W IBMEI/RST) | 8,5 A 603 MS (1300W IBMEI/RST) | 8,5 A 603 MS (1300W IBMEI/RST) | 8,5 A 603 MS (1300W IBMEI/RST) |
| — | 18710624/1 | 1 | SOLO PER SVIZZERA | ONLY FOR SWITZERLAND | SEULEMENT POUR LA SUISSE | NUR FÜR SCHWEIZ |
| — | 18710624/1 | 1 | 8,5 A 607 MS (1300W IBMEI) | 8,5 A 607 MS (1300W IBMEI) | 8,5 A 607 MS (1300W IBMEI) | 8,5 A 607 MS (1300W IBMEI) |
| — | 18710604/0 | 1 | 10 A 602 MS (1600W IBMEI/RST) | 10 A 602 MS (1600W IBMEI/RST) | 10 A 602 MS (1600W IBMEI/RST) | 10 A 602 MS (1600W IBMEI/RST) |
| — | 18710572/0 | 1 | 10 A 603 MS (1600W IBMEI/RST) | 10 A 603 MS (1600W IBMEI/RST) | 10 A 603 MS (1600W IBMEI/RST) | 10 A 603 MS (1600W IBMEI/RST) |
| — | 18710628/0 | 1 | SOLO PER SVIZZERA | ONLY FOR SWITZERLAND | SEULEMENT POUR LA SUISSE | NUR FÜR SCHWEIZ |
| — | 18710628/0 | 1 | 10 A 607 MS (1600W IBMEI) | 10 A 607 MS (1600W IBMEI) | 10 A 607 MS (1600W IBMEI) | 10 A 607 MS (1600W IBMEI) |
| 19 | 22195101/0 | 1 | FERMACAVO | FAIR LEAD | FIXATION CABLE | KABELBEFESTIGUNG |
| 20 | 81007017/1 | 1 | PARTE SUP. MANICO | UPPER HANDLE | PARTIE SUP. MANCHERON | OBERHOLM |
| 21 | 81002057/0 | 1 | ASSIEME CAPOTTINA | COVER ASS.Y | ENS. CAPOT | KOMPLETTE HAUBE |
| 21A | 81002059/0 | 1 | ASSIEME CAPOTTINA | COVER ASS.Y | ENS. CAPOT | KOMPLETTE HAUBE |
| 22 | 12728680/0 | 2 | VITE | SCREW | VIS | SCHRAUBE |
| 23 | 12000930/0 | 1 | ANELLO ELASTICO | SNAP RING | ANNEAU RESSORT | SPRENGRING |
| — | 81008596/1 | 1 | DOTAZ. VITERIA | SCREWS OUTFIT | DOTATION VISSERIE | SCHRAUBEN SATZ |

T-3614/B

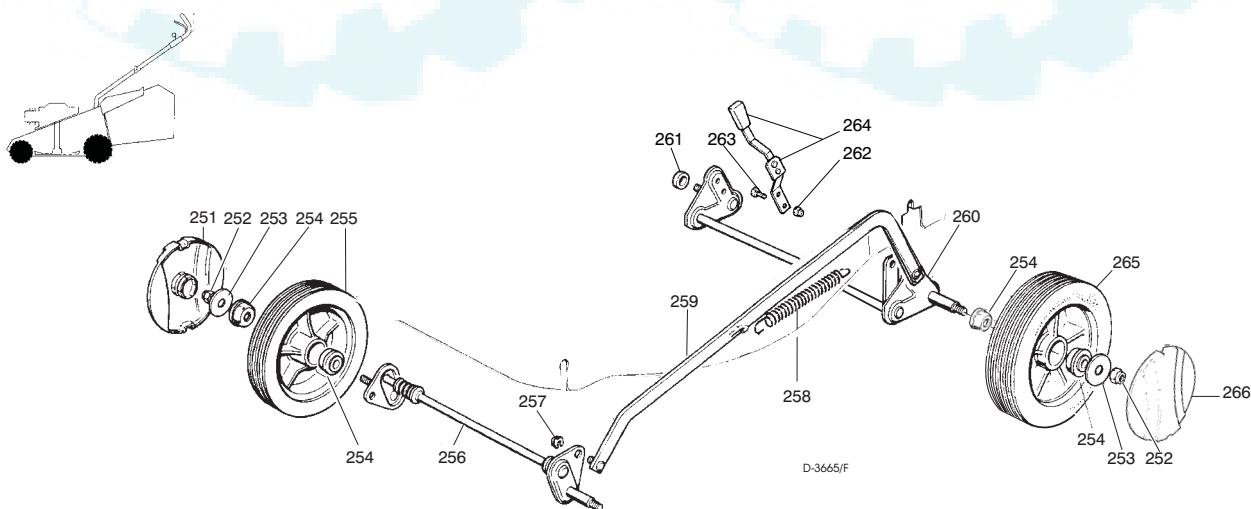
| | | | VARIANTE REGOLAZIONE MANICO | HANDLE ADJUSTMENT VARIANT | VARIANTE REGLAGE POIGNEE | GRIFFEINSTELLVARIANTE |
|----|------------|---|-----------------------------|---------------------------|--------------------------|-------------------------|
| 51 | 81006510/0 | 1 | PARTE INFR. MANICO | LOWER HANDLE | PARTIE INF. MANCHERON | UNTERHOLM |
| 52 | 22785081/0 | 2 | SUPPORTO ESTERNO | EXTERNAL SUPPORT | SUPPORT EXTERNE | AUßERE HALTERUNG |
| 53 | 22785082/0 | 1 | SUPPORTO INTERNO DX | R. INTERNAL SUPPORT | SUPPORT INTERNE DROIT | INNERE HALTERUNG RECHTS |
| 54 | 22785083/1 | 1 | SUPPORTO INTERNO SX | L. INTERNAL SUPPORT | SUPPORT INTERNE GAUCHE | INNERE HALTERUNG LINKS |
| 56 | 22551575/0 | 2 | PIASTRINA INTERNA | INSIDE PLAQUE | PLAQUETTE INTERNE | INNERE PLATTE |
| 57 | 12793701/0 | 2 | VITE | SCREW | VIS | SCHRAUBE |
| 58 | 12155000/0 | 2 | DADO | NUT | ECROU | MUTTER |
| 59 | 12521350/0 | 2 | RONDELLA | WASHER | RONDELLE | SCHEIBE |
| 60 | 12691810/0 | 2 | VITE | SCREW | VIS | SCHRAUBE |
| 61 | 22399803/0 | 2 | MANOPOLINA | KNOB | POIGNÉE | GRIFF |
| 62 | 12293202/0 | 2 | DADO | NUT | ECROU | MUTTER |
| — | 81008622/0 | 1 | DOTAZ. VITERIA | SCREWS OUTFIT | DOTATION VISSERIE | SCHRAUBEN SATZ |

RUOTE E REGOLAZIONE




WHEELS AND HEIGHT ADJUSTING

ROUES ET REGLAGE HAUTEUR DE COUPE

RÄDER UND SCHNITTHÖHEVERSTELLUNG



T-3665/F

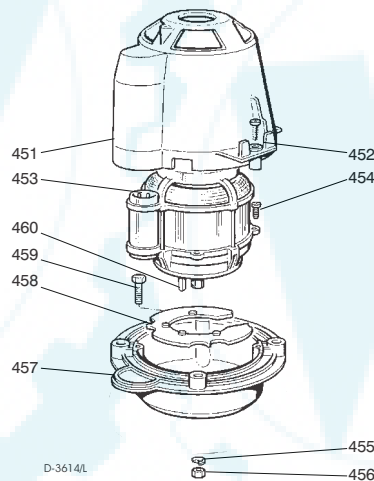
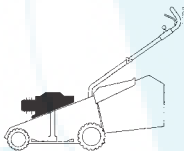
| Pos. Nr. | Codice Code Kodex | Q.tà Q.ty-Q.tè Menge | Descrizione | Description | Description | Beschreibung |
|----------|---|----------------------|------------------------|--------------------------|------------------------|-----------------------|
| 251 |  | | COPRIMOZZO | HUB CAP | COUVRE-MOYEU | RADKAPPE |
| — | 22110252/0 | 2 | BIANCO | WHITE | BLANC | WEIßE |
| — | 22110254/0 | 2 | GIALLO | YELLOW | JAUNE | GELB |
| — | 22110255/0 | 2 | ROSSO | RED | ROUGE | ROTE |
| 252 | 12155000/0 | 2 | DADO | NUT | ECROU | MUTTER |
| 253 | 12523060/0 | 2 | RONDELLA | WASHER | RONDELLE | SCHEIBE |
| 254 | 22034508/0 | 4 | BOCCOLA | BUSH | DOUILLE | BÜCHSE |
| 255 | 81007326/0 | 2 | RUOTA Ø 170 | WHEEL Ø 170 | ROUE Ø 170 | RAD Ø 170 |
| 256 | 81001248/0 | 1 | ASSE RUOTE ANT. RL 430 | FRONT WHEELS AXLE RL 430 | AXE ROUES AVANT RL 430 | VORDERRADACHSE RL 430 |
| — | 81001250/0 | 1 | ASSE RUOTE ANT. RL 480 | FRONT WHEELS AXLE RL 480 | AXE ROUES AVANT RL 480 | VORDERRADACHSE RL 480 |
| 257 | 12436050/0 | 2 | PIASTRINA | PLATE | PLAQUETTE | PLATTE |
| 258 | 22446180/0 | 1 | MOLLA | SPRING | RESSORT | FEDER |
| 259 |  | | ASTA COMANDO | ROD ADJUSTMENT | TIGE COMMANDE | STELLSTAB |
| — | 81001244/0 | 1 | RL 430 | RL 430 | RL 430 | RL 430 |
| — | 81001246/1 | 1 | RL 480 | RL 480 | RL 480 | RL 480 |
| 260 | 81001254/0 | 1 | ASSE RUOTE POST. | REAR WHEELS AXLE | AXE ROUES ARRIERE | HINTERRADACHSE |
| 261 | 22170800/0 | 1 | DISTANZIALE | SPACER | ENTRETOISE | DISTANZRING |
| 262 | 12154320/0 | 2 | DADO | NUT | ECROU | MUTTER |
| 263 | 12789000/0 | 2 | VITE | SCREW | VIS | SCHRAUBE |
| 264 | 81003279/1 | 1 | LEVA REGOLAZIONE | ADJUSTMENT LEVER | LEVIER REGLAGE | VERSTELLUNGHEBEL |
| 265 | 81007328/0 | 2 | RUOTA Ø 210 | WHEEL Ø 210 | ROUE Ø 210 | RAD Ø 210 |
| 266 |  | | COPRIMOZZO | HUB CAP | COUVRE-MOYEU | RADKAPPE |
| — | 22110251/0 | 2 | BIANCO | WHITE | BLANC | WEIßE |
| — | 22110253/0 | 2 | GIALLO | YELLOW | JAUNE | GELBE |
| — | 22110256/0 | 2 | ROSSO | RED | ROUGE | ROTE |

GRUPPO MOTORE ELETTRICO

MOTOR ASS.Y




MOTEUR ELECTRIQUE

ELEKTROMOTOR



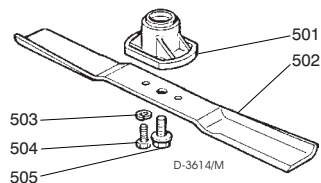
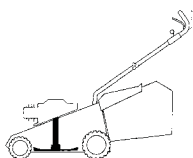
D-3614/L

T-3614/L

| | | | | | | |
|------|---|---|----------------------|----------------------|----------------------|----------------------|
| 451 | 22785061/0 | 1 | SUPPORTO CAPOTTINA | COVER SUPPORT | SUPPORT CAPOT | HAUBEHALTER |
| 452 | 12728710/0 | 4 | VITE | SCREW | VIS | SCHRAUBE |
| 453 |  | | MOTORE | MOTOR | MOTEUR | MOTOR |
| — | 18563068/1 | 1 | IBMEI 1300W (230V) | IBMEI 1300W (230V) | IBMEI 1300W (230V) | IBMEI 1300W (230V) |
| — | 18563008/0 | 1 | RST 1300W (220-230V) | RST 1300W (220-230V) | RST 1300W (220-230V) | RST 1300W (220-230V) |
| — | 18563069/1 | 1 | IBMEI 1300W (240V) | IBMEI 1300W (240V) | IBMEI 1300W (240V) | IBMEI 1300W (240V) |
| — | 18563061/2 | 1 | IBMEI 1600W (230V) | IBMEI 1600W (230V) | IBMEI 1600W (230V) | IBMEI 1600W (230V) |
| — | 18563009/0 | 1 | RST 1600W (230V) | RST 1600W (230V) | RST 1600W (230V) | RST 1600W (230V) |
| — | 18563047/2 | 1 | IBMEI 1600W (240V) | IBMEI 1600W (240V) | IBMEI 1600W (240V) | IBMEI 1600W (240V) |
| 453A |  | | VENTOLA | FAN | VENTILATEUR | LÜFTER |
| — | 18740049/0 | 1 | PER MOTORE IBMEI | IBMEI MOTOR | MOTEUR IBMEI | IBMEI MOTOR |
| — | 18740051/0 | 1 | PER MOTORE RST | RST MOTOR | MOTEUR RST | RST MOTOR |
| 453B |  | | CONDENSATORE | CONDENSER | CONDENSEUR | KONDENSATOR |
| — | 18222037/0 | 1 | 16 µF | 16 µF | 16 µF | 16 µF |
| — | 18222038/0 | 1 | 20 µF | 20 µF | 20 µF | 20 µF |
| 454 | 12735410/0 | 4 | VITE | SCREW | VIS | SCHRAUBE |
| 455 | 12583500/0 | 4 | GROWER | GROWER | GROWER | FEDERRING |
| 456 | 12293200/0 | 4 | DADO | NUT | ECROU | MUTTER |
| 457 | 22207211/3 | 1 | FLANGIA | FLANGE | BRIDE | FLANSCH |
| 458 | 22720360/1 | 1 | SCHERMO VENTILAZIONE | VENTILATION SCREEN | ECRAN VENTILATION | LÜFTUNGSSCHIRM |
| 459 | 12793700/0 | 4 | VITE | SCREW | VIS | SCHRAUBE |
| 460 | 12139440/0 | 1 | LINGUETTA | FEATHER | CLAVETTE | KEIL |

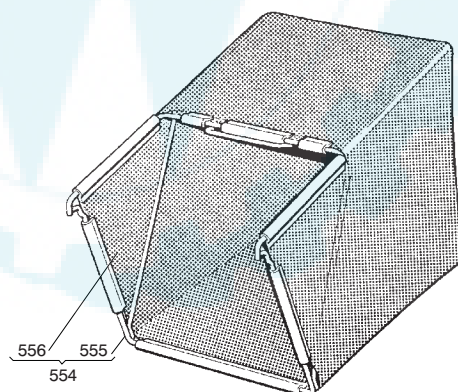
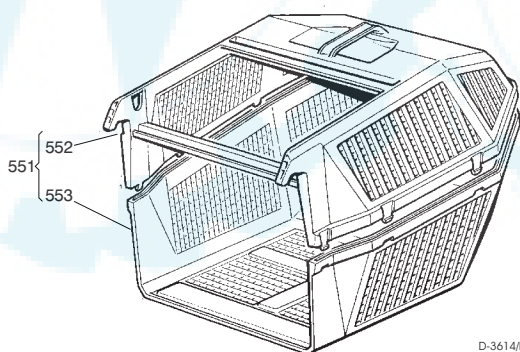
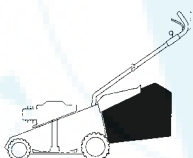
| Pos. Nr. | Codice Code Kodex | Q.tà Q.ty-Q.tè Menge | Descrizione | Description | Description | Beschreibung |
|----------|-------------------|----------------------|-------------|-------------|-------------|--------------|
|----------|-------------------|----------------------|-------------|-------------|-------------|--------------|

- GRUPPO COLTELLO**
- BLADE ASS.Y**
- GROUPE LAME**
- MESSERSATZ**



| | | | | | | | |
|----------|-----|------------|---|-----------------|-----------------|-----------------|-----------------|
| T-3661/M | 501 | 22463186/2 | 1 | MOZZO | HUB | MOYEU | NABE |
| | 502 | | | COLTELLO | BLADE | LAME | MESSER |
| | — | 81004341/2 | 1 | STANDARD 41 cm. | STANDARD 41 cm. | STANDARD 41 cm. | STANDARD 41 cm. |
| | — | 81004396/0 | 1 | ALETTATO 41 cm. | WINGED 41 cm. | AILETTÉE 41 cm. | FLÜGEL 41 cm. |
| | — | 81004346/2 | 1 | STANDARD 46 cm. | STANDARD 46 cm. | STANDARD 46 cm. | STANDARD 46 cm. |
| | — | 81004397/0 | 1 | ALETTATO 46 cm. | WINGED 46 cm. | AILETTÉE 46 cm. | FLÜGEL 46 cm. |
| | 503 | 12583500/0 | 2 | GROWER | GROWER | GROWER | FEDERRING |
| | 504 | 12793101/0 | 2 | VITE | SCREW | VIS | SCHRAUBE |
| | 505 | 81004352/0 | 1 | VITE | SCREW | VIS | SCHRAUBE |

- SACCO RACCOGLIERBA**
- GRASS-CATCHER**
- BAC DE RAMASSAGE**
- GRASFANGKORB**



| | | | | | | | |
|----------|-----|------------|---|--------------------|----------------------|-----------------------|-----------------|
| T-3614/N | 551 | 98005000/1 | 1 | SACCO COMPLETO | COMPLETE GRASS-BOX | SAC COMPLET | KOMPLETTER KORB |
| | 552 | 22486076/0 | 1 | PARTE SUP. SACCO | UPPER GRASS BOX | PARTIE SUP. SAC | OBERKORB |
| | 553 | 22486077/0 | 1 | PARTE INF. SACCO | LOWER GRASS BOX | PARTIE INF. SAC | UNTERKORB |
| | 554 | 98004000/0 | 1 | ASS. SACCO IN TELA | CANVASS GRASSCATCHER | ENSEMBLE SAC EN TOILE | KOMPLETTER SACK |
| | 555 | 81006408/0 | 1 | TELAIO | CHASSIS | CHÂSSIS | RAHMEN |
| | 556 | 81002105/2 | 1 | TELA SACCO | FABRIC BOX | TOILE POUR SAC | TUCK FÜR SACK |