

**RL 430 TR**

**CHASSIS  
MANICO  
COMANDI  
DOTAZIONE VITERIE**

**DECK  
HANDLE  
CONTROLS  
SCREWS OUTFITS**

**CHÂSSIS  
MANCHERON  
COMMANDES  
DOTATION VISSERIE**

**GEHÄUSE  
HOLM  
BETÄTIGUNGEN  
SCRAUBENSATZ**

**SPARE PARTS CATALOGUE**

**ERSATZTEILKATALOG**

**GB**

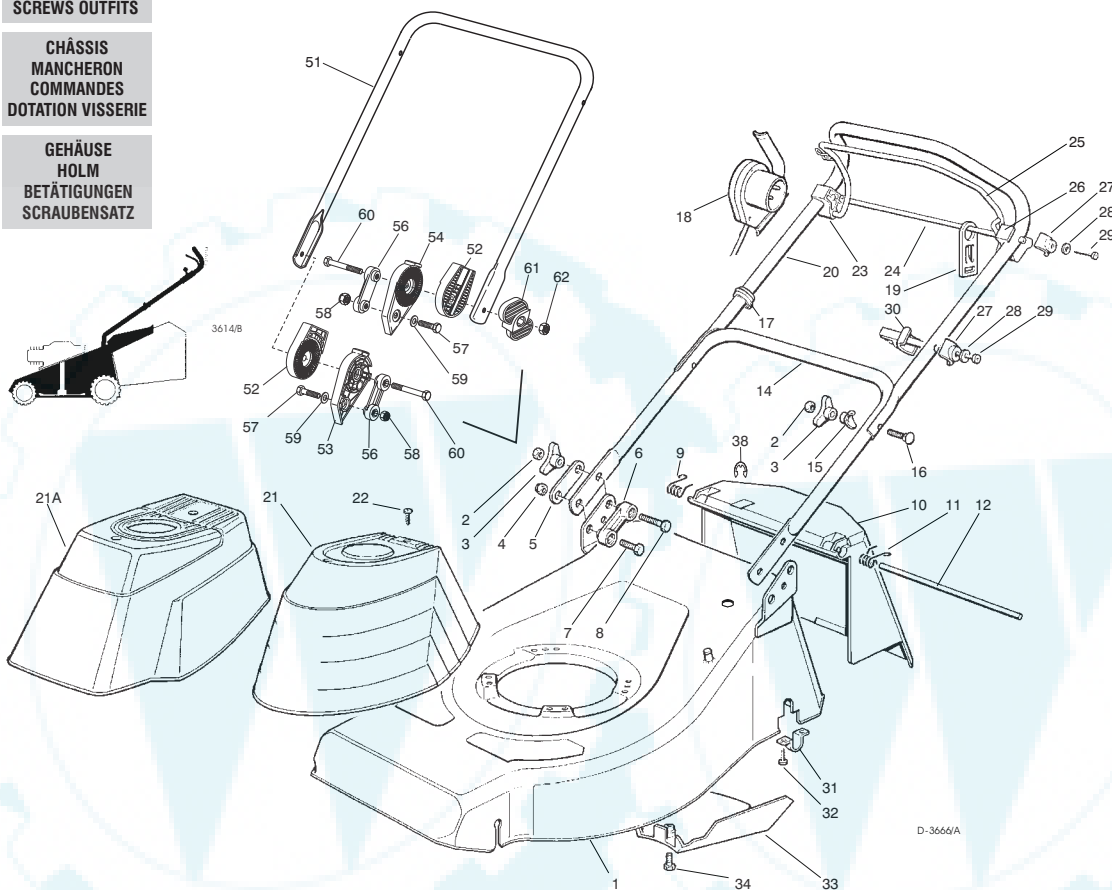
**D**

**CATALOGO DELLE PARTI  
DI RICAMBIO**

**CATALOGUE DES PIÈCES  
DE RECHANGE**

**I**

**F**



D-3666/A

Pos. Nr.	Codice Code Kodex	Q.tà Q.ty-Q.tè Menge	Descrizione	Description	Description	Beschreibung
1			CHASSIS	DECK	CHÂSSIS	GEHÄUSE
—	81001633/0	1	ROSSO	RED	ROUGE	ROTES
—	81001634/0	1	GIALLO	YELLOW	JAUNE	GELBES
—	81001635/0	1	VERDE	GREEN	VERT	GRÜNES
2	12293200/0	4	DADO	NUT	ECROU	MUTTER
3	22399900/0	4	MANOPOLINA	KNOB	POIGNÉE	GRIF
4	12155000/0	2	DADO	NUT	ECROU	MUTTER
5	22551574/0	2	PIASTRINA ESTERNA	OUTSIDE PLAQUE	PLAQUETTE EXTERNE	INNERE PLATTE
6	22551575/0	2	PIASTRINA INTERNA	INSIDE PLAQUE	PLAQUETTE INTERNE	INNERE PLATTE
7	12793300/0	2	VITE	SCREW	VIS	SCHRAUBE
8	12691115/0	2	VITE	SCREW	VIS	SCHRAUBE
9	22450410/1	1	MOLLA DESTRA	RIGHT SPRING	RESSORT DROITE	RECHTE FEDER
10	22600028/4	1	PARASASSI	STONEGUARD	PAREPIERRES	PRALLBLECH
11	22450420/1	1	MOLLA SINISTRA	LEFT SPRING	RESSORT GAUCHE	LINKE FEDER
12	22517906/1	1	PERNO	PIN	PIVOT	BOLZEN
14	81006512/0	1	PORTE INFERIORE MANICO	LOWER HANDLE	PARTIE INF. MANCHERON	OBERHOLM
15	22680006/1	2	RONDELLA	WASHER	RONDELLE	SCHEIBE
16	12819201/0	2	VITE	SCREW	VIS	SCHRAUBE
17	22192000/1	2	FASCETTA ANCORAGGIO	ANCHOR CLAMP	COLLIER ANCRAGE	BOWDENZUGHALTER
18	18710603/0	1	SALVAMOTORE M.M. 11A 602 MS	DEAD HAND SWITCH 11A 602 MS	INT. MAIN MORTE 11A 602 MS	TOT MANSCHALTER 11A 602 MS

Pos. Nr.	Code Code Kodex	Q.tà Q.ty-Q.tè Menge	Descrizione	Description	Description	Beschreibung
19	22195101/1	1	FERMACAVO	FAIR LEAD	FIXATION CABLE	KABELBEFESTIGUNG
20	81006997/0	1	PARTE SUPERIORE MANICO	UPPER HANDLE	PARTIE SUP. MANCHERON	UNTERHOLM
21	81002057/0	1	CAPOTTINA	COVER	CAPOT	HAUBE
21A	81002059/0	1	CAPOTTINA	COVER	CAPOT	HAUBE
22	12728680/0	2	VITE	SCREW	VIS	SCHRAUBE
23	22806515/0	1	SUPPORTO DESTRO	RIGHT FIXED BEARING	SUPPORT DROITE	RECHTER HALTER
24	22020320/0	1	AGGANCIAMENTO FERMACAVO	FAIRLEAD BEARING	SUPPORT SERRECABLE	KABELHALTER
25	81001241/0	1	LEVA TRAZIONE	DRIVING LEVER	LEVIER TRACTION	ANTRIEHBEBEL
26	22806516/0	1	SUPPORTO SINISTRO	LEFT FIXED BEARING	SUPPORT GAUCHE	LINKER HALTER
30	22806510/0	1	SUPPORTO REGISTRO	ADJUSTER SUPPORT	SUPPORT ECROU REG.	REGLERHALTER
31	22680007/0	3	RONDELLA	WASCHER	RONDELLE	SCHEIBE
32	12523040/0	3	RONDELLA	WASCHER	RONDELLE	SCHEIBE
33	12735103/0	3	VITE	SCREW	VIS	SCHRAUBE
34	22545152/0	2	PIASTRINA	PLATE	PLAQUETTE	PLATTE
35	12731350/0	4	VITE	SCREW	VIS	SCHRAUBE
36	22060170/0	1	CARTER CINGHIA	BELT PROTECTION	PROTECTION CORROIRE	RIEMENSCHUTZ
37	12727791/0	1	VITE	SCREW	VIS	SCHRAUBE
38	12000930/0	1	ANELLO ELASTICO	SNAP RING	ANNEAU RESSORT	SPRENGRING
—	81008596/1		DOTAZIONE VITERIA	SCREWS OUTFIT	DOTATION VISSERIE	SCHRAUBEN SATZ

T-3614/B

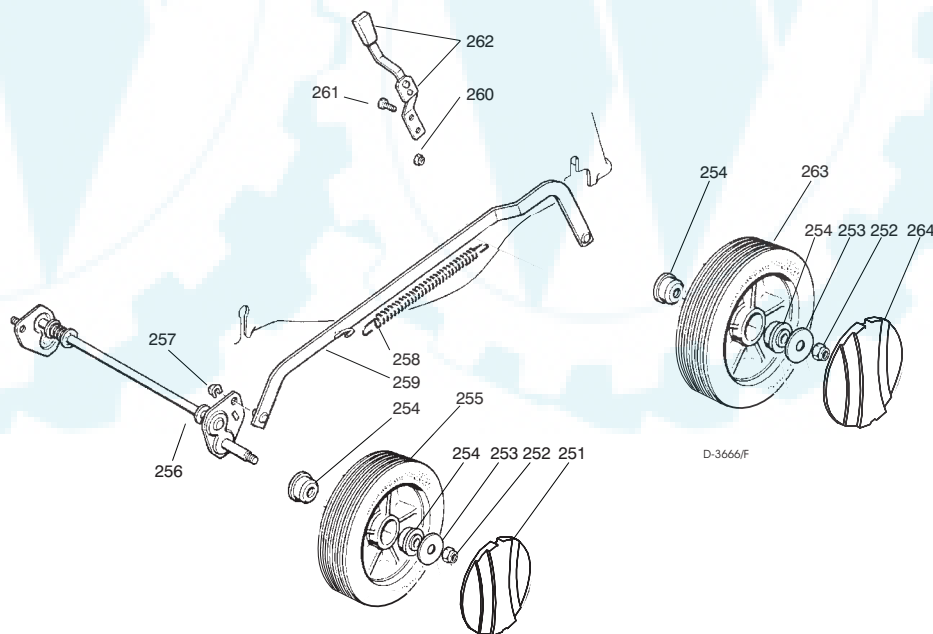
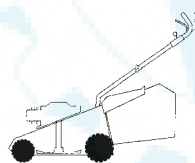
	VARIANTE REGOLAZIONE MANICO	HANDLE ADJUSTMENT VARIANT	VARIANTE REGLAGE POIGNEE	GRIFFEINSTELLVARIANTE		
51	81006510/0	1	PARTE INFR. MANICO	LOWER HANDLE	PARTIE INF. MANCHERON	UNTERHOLM
52	22785081/0	2	SUPPORTO ESTERNO	EXTERNAL SUPPORT	SUPPORT EXTERNE	AUßERE HALTERUNG
53	22785082/0	1	SUPPORTO INTERNO DX	R. INTERNAL SUPPORT	SUPPORT INTERNE DROIT	INNERE HALTERUNG RECHTS
54	22785083/1	1	SUPPORTO INTERNO SX	L. INTERNAL SUPPORT	SUPPORT INTERNE GAUCHE	INNERE HALTERUNG LINKS
56	22551575/0	2	PIASTRINA INTERNA	INSIDE PLAQUE	PLAQUETTE INTERNE	INNERE PLATTE
57	12793701/0	2	VITE	SCREW	VIS	SCHRAUBE
58	12155000/0	2	DADO	NUT	ECROU	MUTTER
59	12521350/0	2	RONDELLA	WASHER	RONDELLE	SCHEIBE
60	12691810/0	2	VITE	SCREW	VIS	SCHRAUBE
61	22399803/0	2	MANOPOLINA	KNOB	POIGNÉE	GRIFF
62	12293202/0	2	DADO	NUT	ECROU	MUTTER
—	81008622/0	1	DOTAZ. VITERIA	SCREWS OUTFIT	DOTATION VISSERIE	SCHRAUBEN SATZ

RUOTE E REGOLAZIONE

WHEELS AND HEIGHT ADJUSTING

ROUES ET REGLAGE HAUTER DE COUPE

RÄDER UND SCHNITTHÖHEVERSTELLUNG



D-3666/F

T-3666/F

251	22110252/0	2	BIANCO	WHITE	BLANC	WEIßE
—	22110254/0	2	GIALLO	YELLOW	JAUNE	GELBE
—	22110255/0	2	ROSSO	RED	ROUGE	ROTE
252	12155000/0	4	DADO	NUT	ECROU	MUTTER
253	12523060/0	4	RONDELLA	WASHER	RONDELLE	SCHEIBE
254	22034508/0	8	BOCCOLA	BUSH	DOUILLE	BUCHSE
255	81007326/0	2	RUOTA Ø 170	WHEEL Ø 170	ROUE Ø 170	RAD Ø 170
256	81001248/0	1	ASSE RUOTE ANTERIORE	FRONT WHEELS AXLE	AXE ROUES AVANT	VORDERRADACHSE
257	12436050/0	2	PIASTRINA	PLATE	PLAQUETTE	PLÄTTCHEN
258	22446180/0	1	MOLLA	SPRING	RESSORT	FEDER
259	81001244/0	1	ASTA COMANDO	ADJUSTMENT ROD	TIGE COMMANDE	STELLSTAB
260	12154330/0	2	DADO	NUT	ECROU	MUTTER

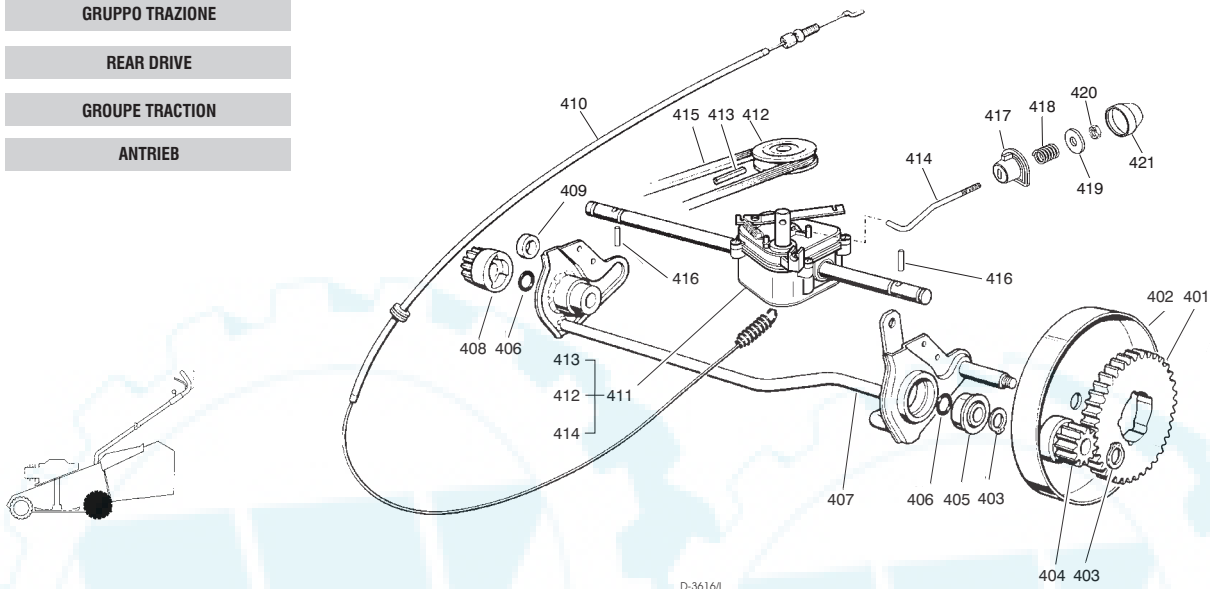
Pos. Nr.	Codice Code Kodex	Q.tà Q.ty-Q.tè Menge	Descrizione	Description	Description	Beschreibung
261	12789000/0	2	VITE	SCREW	VIS	SCHRAUBE
262	81003279/2	1	LEVA REGOLAZIONE	ADJUSTMENT LEVER	LEVIER REGLAGE	VERSTELLUNGHEBEL
263	81007328/0	2	RUOTA Ø 210	WHEEL Ø 210	ROUE Ø 210	RAD Ø 210
264	●		COPRIMOZZO	HUB CAP	COUVRE-MOYEU	RADKAPPE
—	22110251/0	2	BIANCO	WHITE	BLANC	WEIÙE
—	22110253/0	2	GIALLO	YELLOW	JAUNE	GELBE
—	22110256/0	2	ROSSO	RED	ROUGE	ROTE

**GRUPPO TRAZIONE**

**REAR DRIVE**

**GROUPE TRACTION**

**ANTRIEB**



D-3616/I

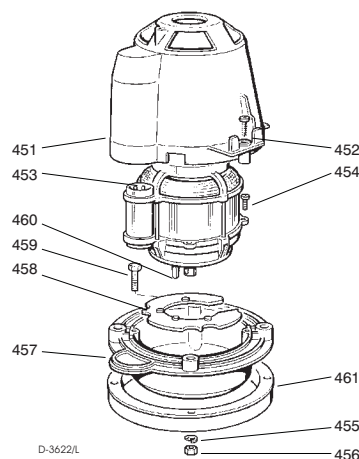
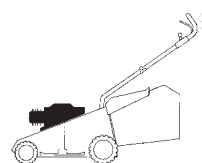
401	22120105/1	2	CORONA	RING GEAR	COURONNE	KRANZ
402	81006846/0	2	PROTEZIONE RUOTE	WHEEL GUARD	PROTECTION ROUE	RÄDERSCHUTZ
403	12608600/0	4	SEEGER	SEEGER	SEEGER	SEEGER
404	22570120/0	1	PIGNONE SINISTRO	LEFT PINION	PIGNON GAUCHE	LINKES RITZEL
405	22122200/0	2	CUSCINETTO	BEARING	COUSSINET	LAGER
406	12019900/0	2	ANELLO OR	OR RING	BAGUE OR	RING OR
407	81001252/1	1	ASSE RUOTE POSTERIORE	REAR WHEELS AXLE	AXE ROUES ARRIERE	HINTERRADACHSE
408	22570110/0	1	PIGNONE DESTRO	RIGHT PINION	PIGNON DROITE	RECHTES RITZEL
409	22170800/0	1	DISTANZIALE	SPACER	ENTRETOISE	DISTANZRING
410	81001138/0	1	COMANDO TRAZIONE	REAR DRIVE ASS.Y	ENS. COMMANDE TRACTION	ANTRIEBKABEL
411	●		ASS. GRUPPO TRAZIONE	GEAR BOX ASS.Y	ENS. GROUPE TRACTION	ANTRIEBSATZ
—	81003059/0	1	(PLASTICA)	(PLASTIC)	(PLASTIQUE)	(KUNSTSTOFF)
—	81003060/0	1	(ALLUMINIO)	(ALUMINIUM)	(ALUMINIUM)	(ALUMINIUM)
412	22601904/0	1	PULEGGIA 4 KM/H	PULLEY 4 KM/H	POULIE 4 KM/H	RIEMENSCHLEIBE 4 KM/H
413	12645705/0	1	SPINA	PIN	GOUPILLE	STIFT
414	22033280/0	1	ASTA REGOLAZIONE	ADJUSTMENT ROD	TIGE REGLAGE	VERSTELLUNGSTANGE
415	35063710/0	1	CINGHIA Z 25	BELT Z 25	COURROIE Z 25	RIEMEN Z 25
416	22753000/0	2	SPINA	PIN	GOUPILLE	STIFT
417	22041957/0	1	BUSSOLA	BUSH	DOUILLE	BUCHSE
418	22450063/0	1	MOLLA	SPRING	RESSORT	FEDER
419	22680009/0	1	RONDELLA	WASHER	RONDELLE	SCHEIBE
420	12154510/0	1	DADO	NUT	ECROU	MUTTER
421	22110230/0	1	TAPPO	CAP	BOUCHON	GUMMISTOPFEN

**GRUPPO MOTORE ELETTRICO**

**MOTOR ASS.Y**

**MOTEUR ELECTRIQUE**

**ELEKTROMOTOR**



D-3622/L

T-3622/L

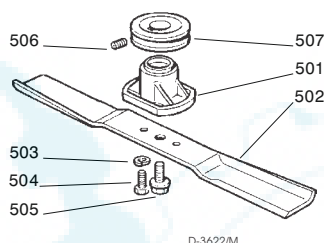
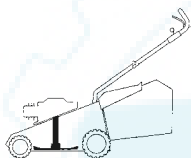
Pos. Nr.	Code Code Kodex	Q.tà Q.ty-Q.tè Menge	Descrizione	Description	Description	Beschreibung
451	22785061/0	1	SUPPORTO CAPOTTINA	COVER SUPPORT	SUPPORT CAPOT	HAUBEHALTER
452	12728710/0	4	VITE	SCREW	VIS	SCHRAUBE
453	18563070/1	1	MOTORE IBMEI 1600W (230V)	IBMEI MOTOR 1600W (230V)	MOTEUR IBMEI 1600W (230V)	MOTOR IBMEI 1600W (230V)
453b	18740049/0	1	VENTOLA MOTORE IBMEI	IBMEI MOTOR FAN	VENTILATEUR MOTEUR IBMEI	IBMEI LÜFTER
453c	18222038/0	1	CONDENSATORE 20 µF	CONDENSER 20 µF	CONDENSEUR 20 µF	KONDENSATOR 20 µF
454	12735410/0	4	VITE	SCREW	VIS	SCHRAUBE
455	12583500/0	4	GROWER	GROWER	GROWER	FEDERRING
456	12293200/0	4	DADO	NUT	ECROU	MUTTER
457	22207211/3	1	FLANGIA	FLANGE	BRIDE	FLANSCH
458	22720360/1	1	SCHERMO VENTILAZIONE	VENTILATION SCREEN	ECRAN VENTILATION	LÜFTUNGSSCHIRM
459	12691800/0	4	VITE	SCREW	VIS	SCHRAUBE
460	12139440/0	1	LINGUETTA	FEATHER	CLAVETTE	KEIL
461	81003471/0	1	DISTANZIALE	SPACER	ENTRETOISE	DISTANZRING

GRUPPO COLTELLO

BLADE ASS.Y

GROUPE LAME

MESSERSATZ



D-3622/M

T-3622/M

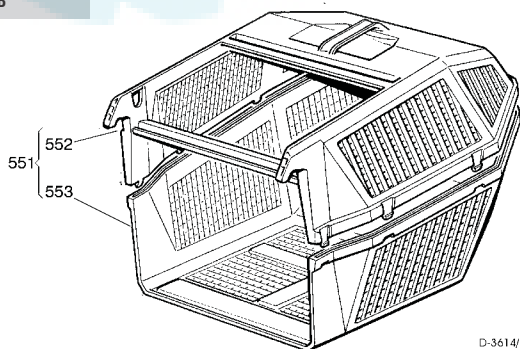
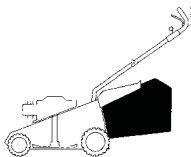
501	22463186/2	1	MOZZO	HUB	MOYEU	NABE
502	81004341/2	1	COLTELLO	BLADE	LAME	MESSER
—	81004396/0	1	STANDARD	STANDARD	STANDARD	STANDARD
—	81004396/0	1	ALETTATO	WINGED	AILETTÉE	FLÜGEL
503	12583500/0	2	GROWER	GROWER	GROWER	FEDERRING
504	12793101/0	2	VITE	SCREW	VIS	SCHRAUBE
505	81004352/0	1	VITE	SCREW	VIS	SCHRAUBE
506	12713801/0	1	GRANO	DOWEL	GRAIN	STIFT
507	81000830/0	1	PULEGGIA	PULLEY	POUILE	RIEMENSCHIEBE

SACCO RACCOGLIERBA

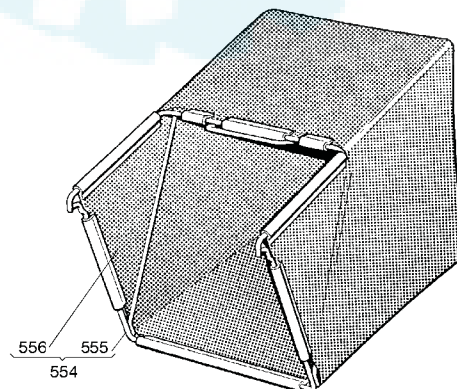
GRASS-CATCHER

BAC DE RAMASSAGE

GRASFANGKORB



D-3614/N



T-3614/N

551	98005000/1	1	SACCO COMPLETO	COMPLETE GRASS-BOX	SAC COMPLET	KOMPLETTER KORB
552	22486076/0	1	PARTE SUP. SACCO	UPPER GRASS BOX	PARTIE SUP. SAC	OBERKORB
553	22486077/0	1	PARTE INF. SACCO	LOWER GRASS BOX	PARTIE INF. SAC	UNTERKORB
554	98004000/0	1	ASS. SACCO IN TELA	CANVASS GRASSCATCHER	ENSEMBLE SAC EN TOILE	KOMPLETTER SACK
555	81006408/0	1	TELAIO	CHASSIS	CHÂSSIS	RAHMEN
556	81002105/2	1	TELA SACCO	FABRIC BOX	TOILE POUR SAC	TUCK FÜR SACK